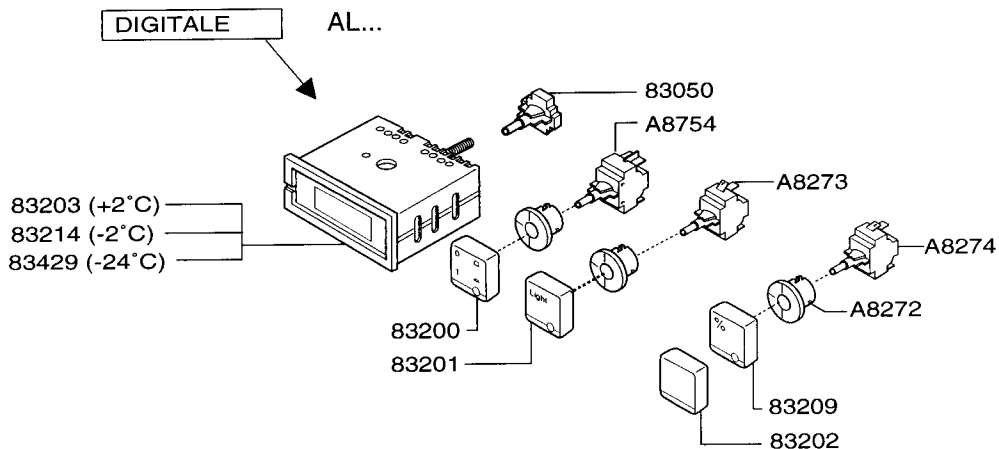
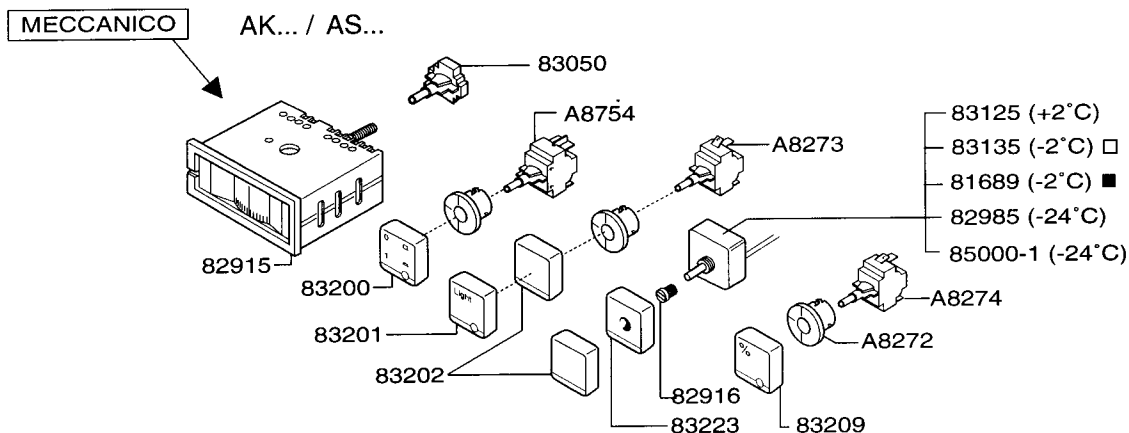


# Зип Общепит

## vsezip.ru

Modelli con una porta piena (1M)  
 One full door models

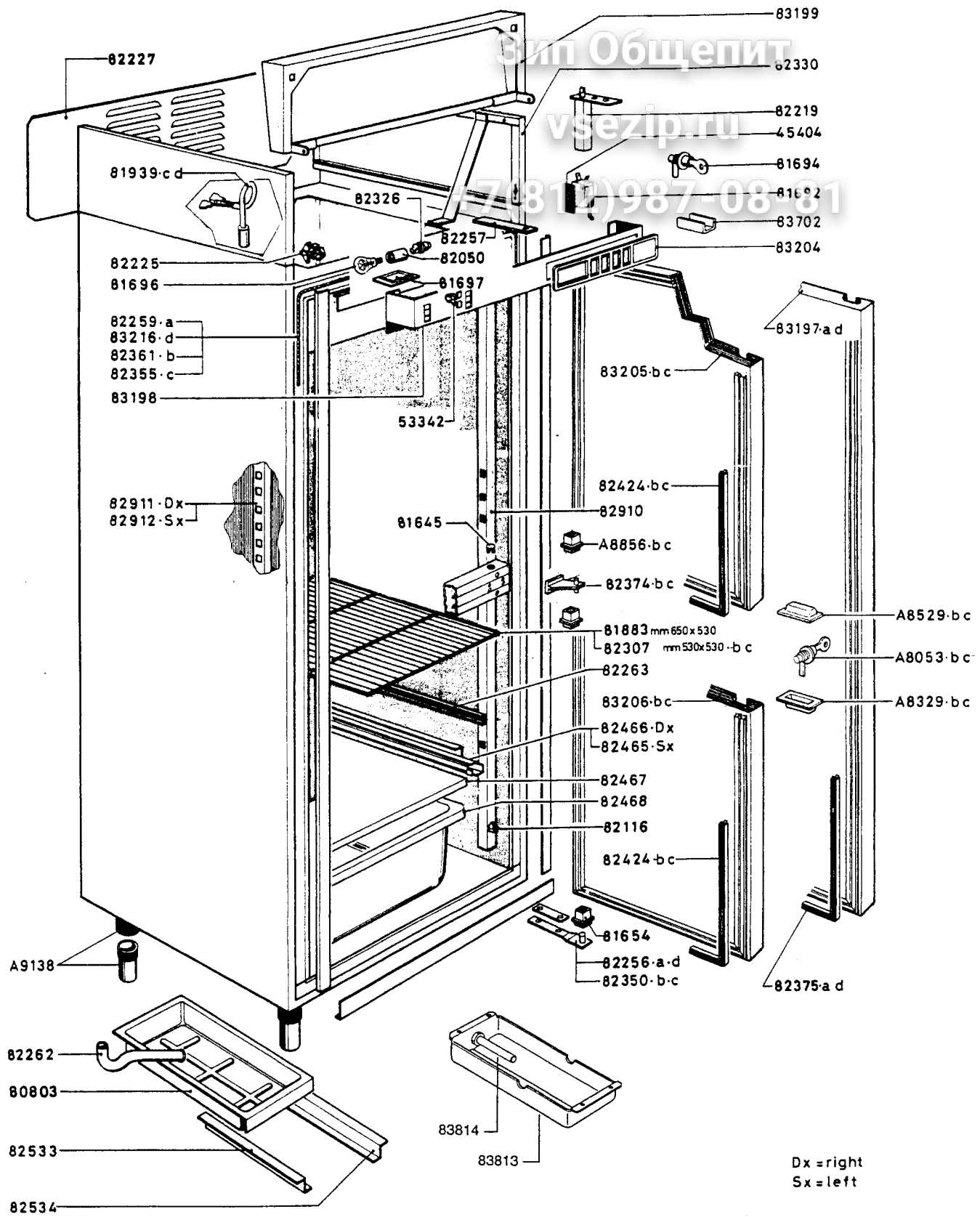
- Modelli con porta vetro e due porte piene (2M)  
 Glass door models, and two full doors models



REFRIGERATORS - CONTROL PANEL FRIGORIFERI - PANNELLO COMANDI				REF. RIF.	From serial Nr Da matricola
LUX LINE	AL...			1	446...
KOMPACT LINE	AK...				645...
SLIM LINE	AS...				

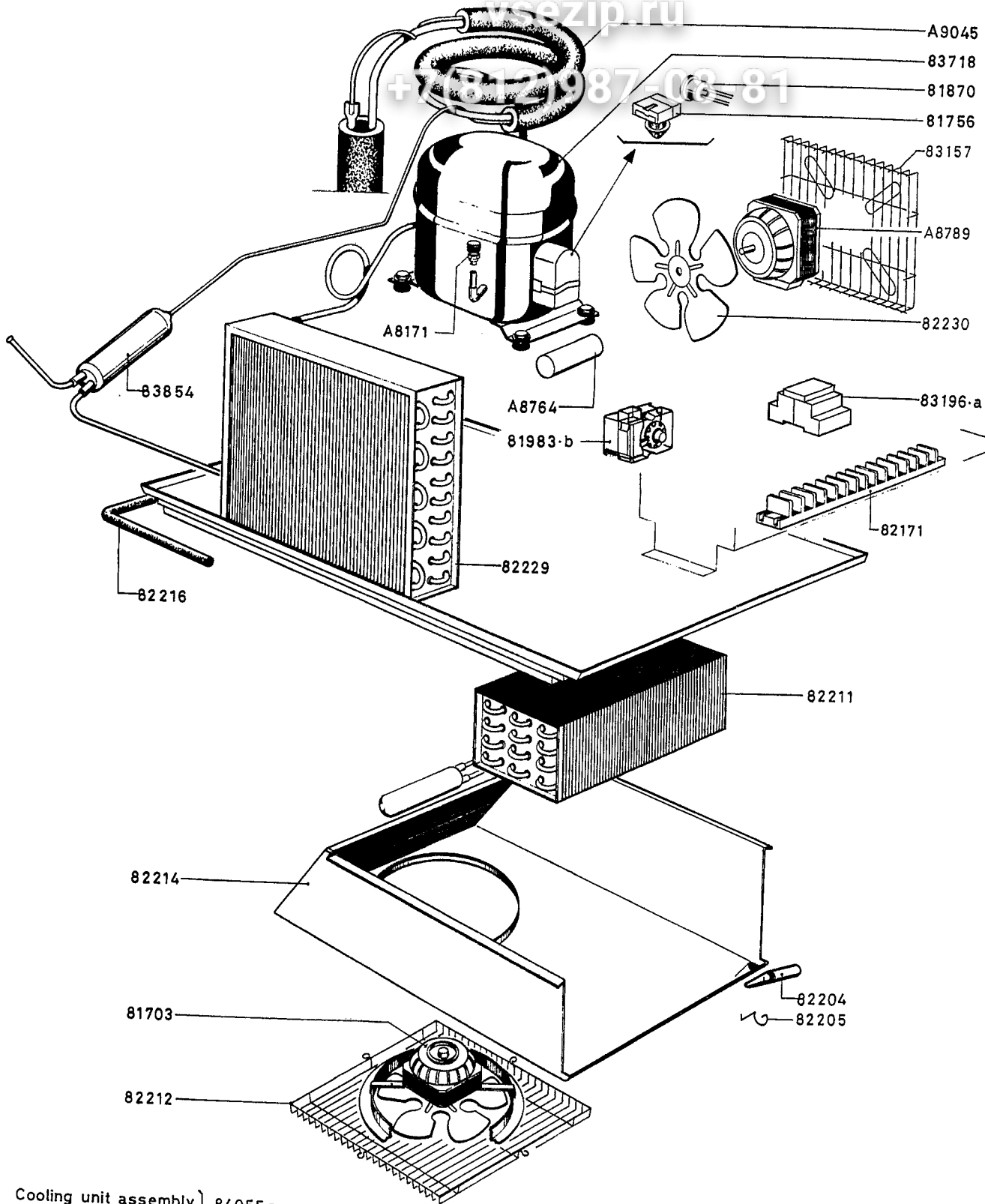
Reviset 97 - 06

502-39-0



LUXE LINE - FRIGORIFERI 600 l. REFIGERATORS						RIF. Da matricola REF. from serial N°
	a	b	c	d		446 ...
	110 050	110 056	110 051	110 057	110 075	110 074
UK	110 066	110 068				110 071
	ALP 110	ALN 110	ALP 120	ALN 120	ALF 120	ALF 110

Z 502.41-0



Cooling unit assembly } 84055 a  
 Gruppo refrigerante } 83914 b

FREON (R 134A)

GRUPPO REFRIGERANTE					+2° C	500/600 l.		RIF. REF.	Da matricola from serial N°
a		b							
110 050	110 051	111 000	111 002	112 010					446...
110 066		111 121		112 026					
ALP 110	ALP 120	AKB 110	AKB 120						