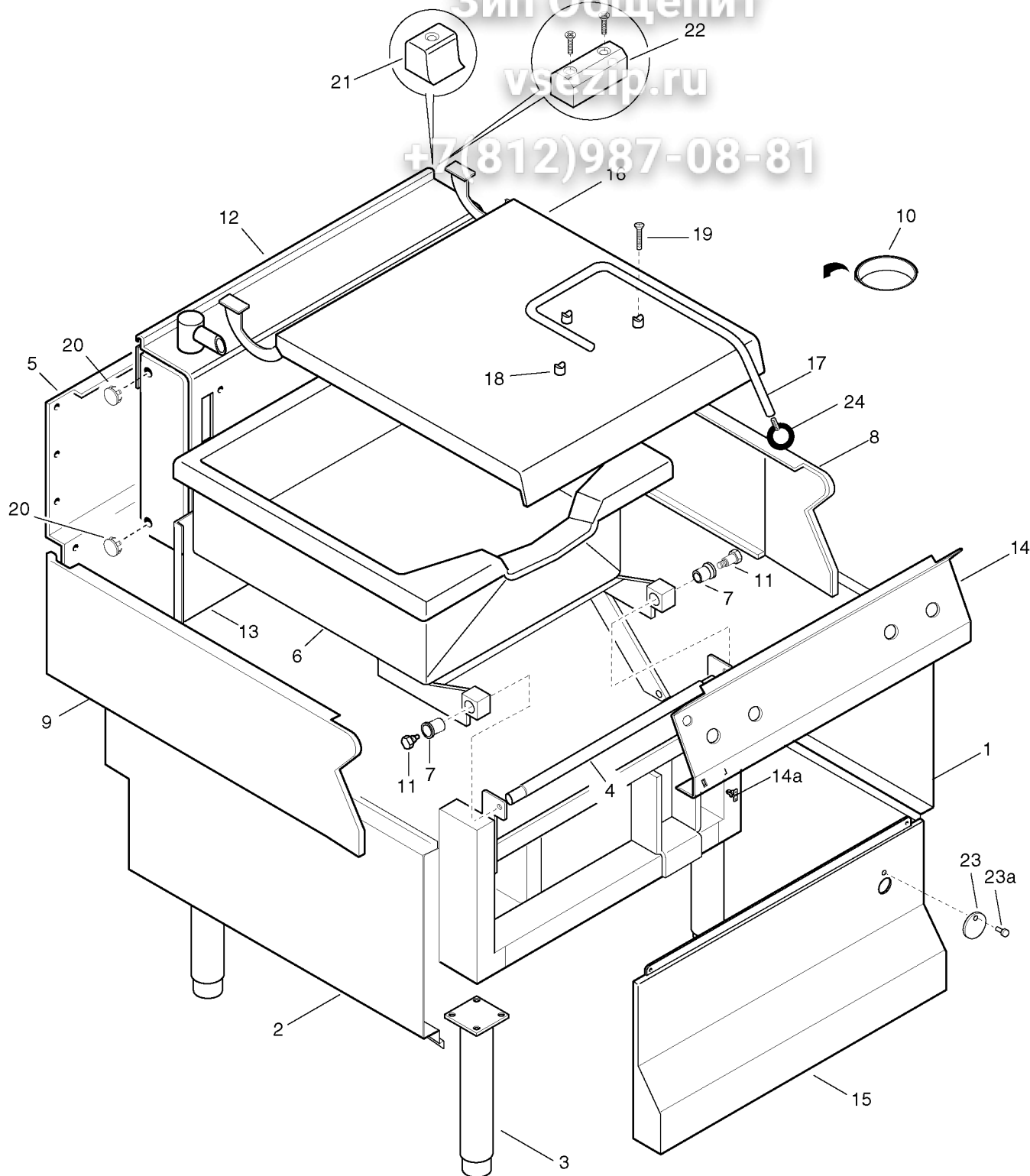


**+7(812)987-08-81**

PNC	Model	Ref.	Page	Notes
210 307	QBR/E2F	a	1 - 2 - 3 - 4 - 5	Brat Pan electric 80L Mild Steel
210 308	QBR/E2C	b	1 - 2 - 3 - 4 - 5	Brat Pan electric 80L Compound
210 309	QBR/E3F	c	1 - 2 - 3 - 4 - 5	Brat Pan electric 100L Mild Steel
210 310	QBR/E3FH	d	1 - 2 - 3 - 4 - 5	Brat Pan electric 100L Mild Steel Autom.Tilting
210 311	QBR/E3C	e	1 - 2 - 3 - 4 - 5	Brat Pan electric 100L Compound
210 312	QBR/E3CH	g	1 - 2 - 3 - 4 - 5	Brat Pan electric 100L Compound Autom.Tilting
210 317	QBR/E2FH	h	1 - 2 - 3 - 4 - 5	Brat Pan electric 80L Mild Steel Autom.Tilting
210 318	QBR/E2CH	m	1 - 2 - 3 - 4 - 5	Brat Pan electric 80L Compound Autom.Tilting

	<b>Index</b>	<b>Indice</b>
Pag. 1	Frame	Struttura
Pag. 2	Tilting System	Sistema sollevamento
Pag. 3	Electric components	Componenti elettrici
Pag. 4 - 5	Spare parts list	Lista ricambi

**Brand / Marchio :** Electrolux  
**Factory code:** 7PDN

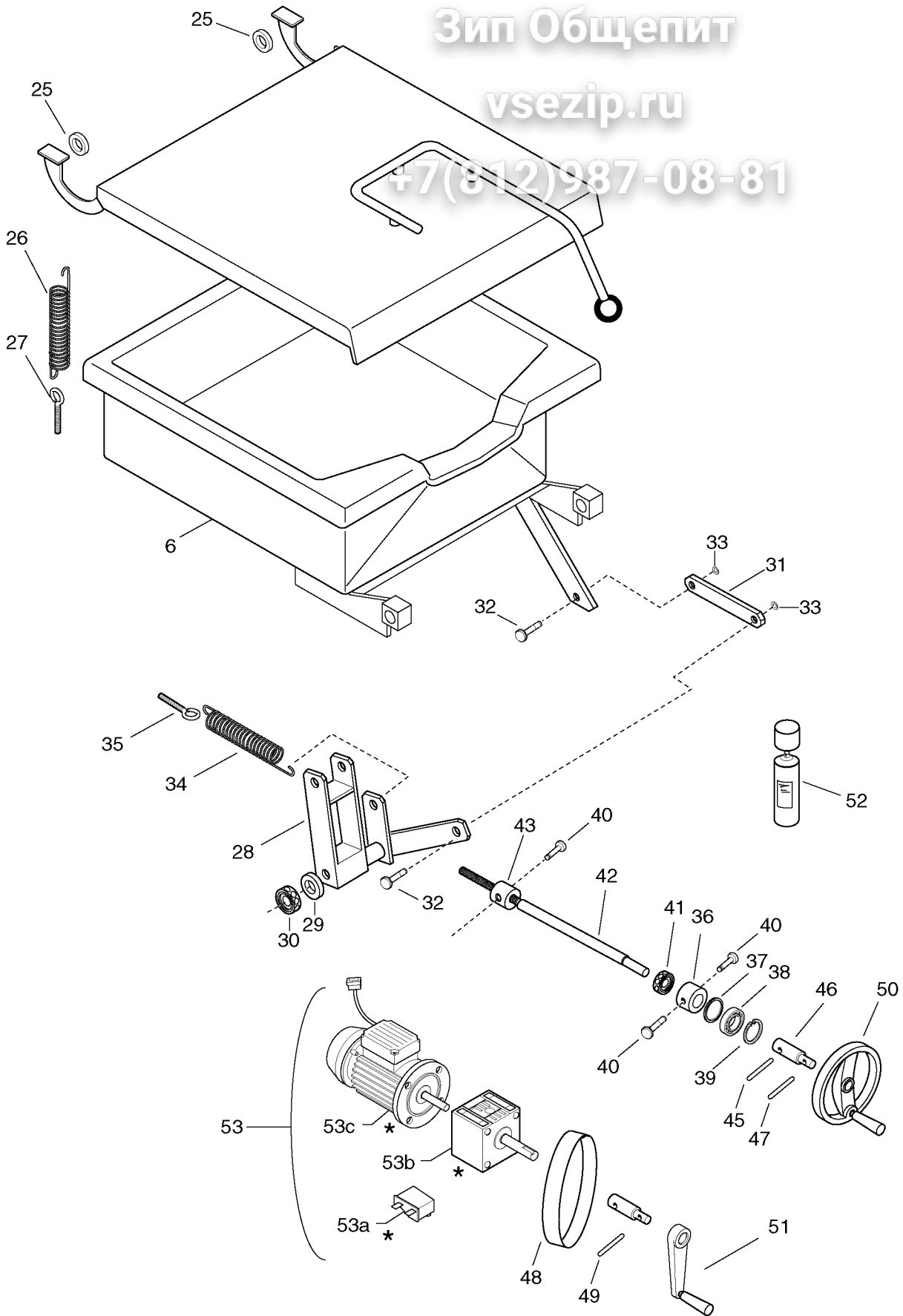


**BRASIERE ELETTRICHE N900**  
**ELETTRIC BRAT PAN N900**

Зип Общепит

vsezip.ru

+7(812)987-08-81

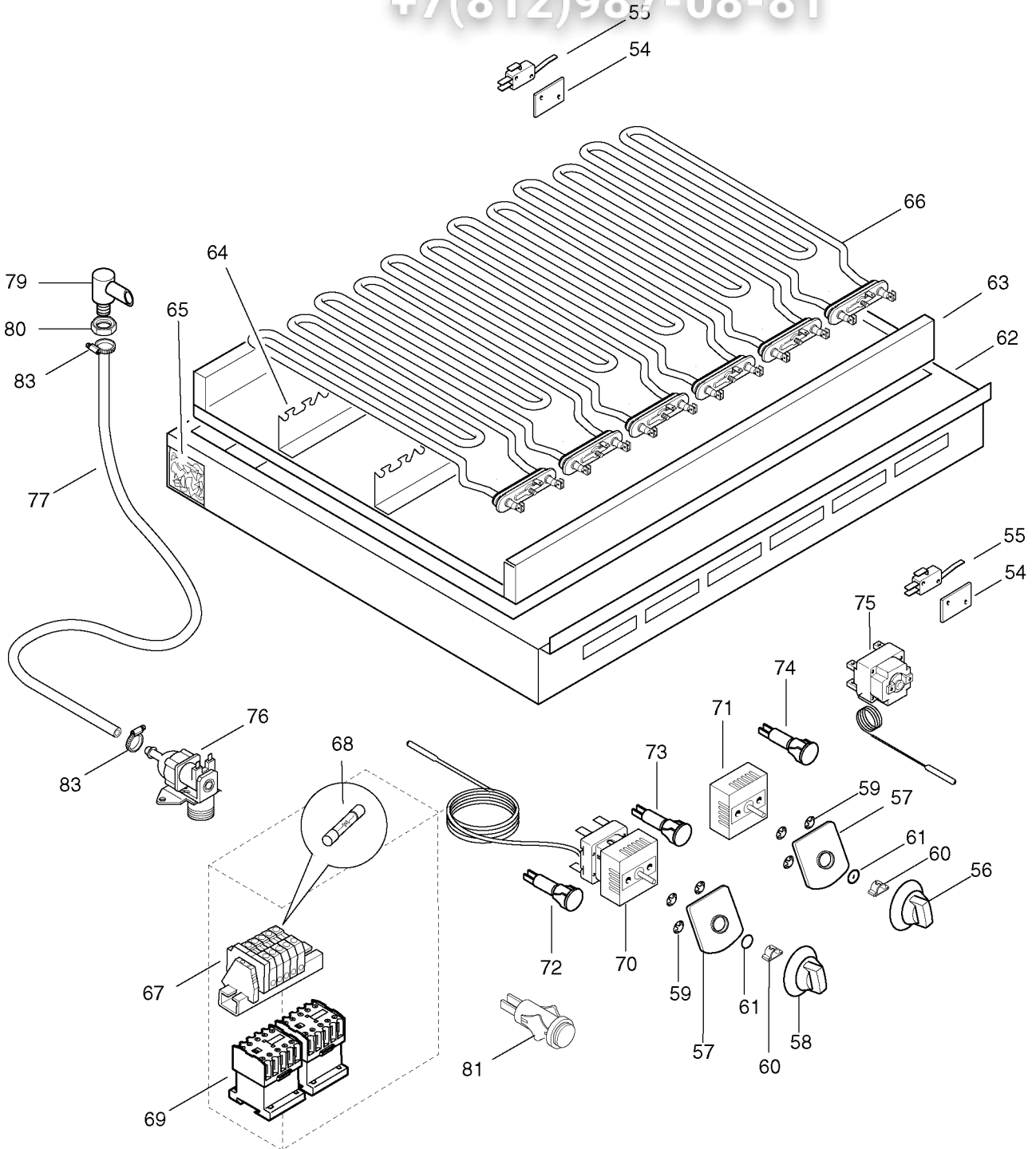


**BRASIERE ELETTRICHE N900**  
**ELETTIC BRAT PAN N900**

Зип Ощепит

vsezip.ru

+7(812)987-08-81



**BRASIERE ELETTRICHE N900**  
**ELETTRIC BRAT PAN N900**