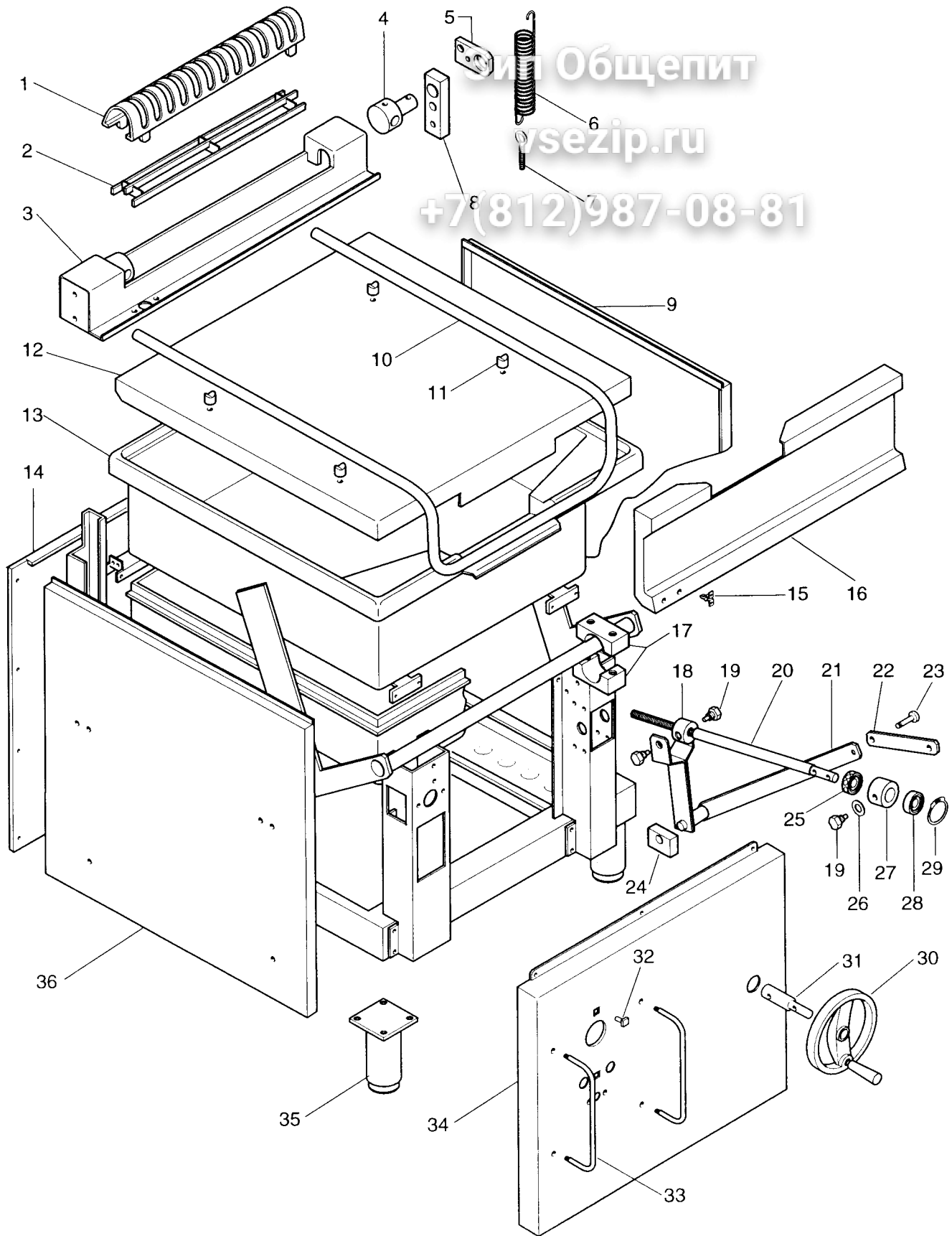


Code	Type	Ref.	Page
168 833	MBR/E2FM	a	1-2
168 834	MBR/E2IM	b	1-2
168 835	MBK/E2FM	c	1-2
168 033	RBR/E2FM	d	1-2
168 034	RBR/E2IM	e	1-2
168 035	RBK/E2FM	f	1-2

Pag.	Indice	Index
1	Vista generale	Main view
2	Componenti elettrici	Electric components
3-4	Liste ricambi	Spare parts list

Brand / Marchio : Z - E
Factory code: 9PDX



Общепит
 ysezip.ru
 +7(812)987-08-81

PR 700 Electric bratt-pan

Da Ser. Nr. / From ser. nr.: 810....

Page: 1

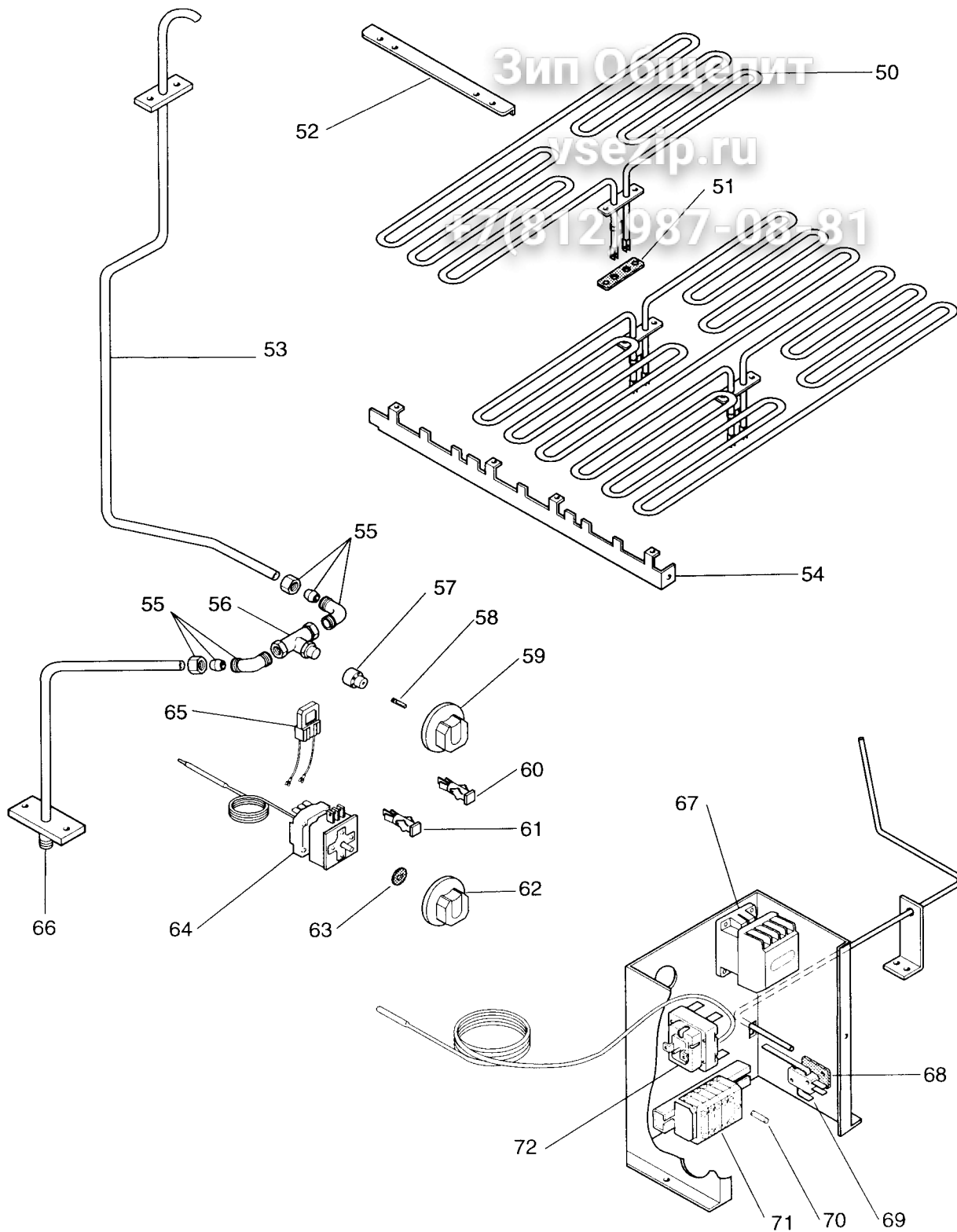
Ed. 9807

Doc. Nr.: **2-04 802**

Зип Общедит

ysezip.ru

+7(812)987-08-81



PR 700 Electric bratt-pan

Da Ser. Nr. / From ser. nr.: 810....

Page: 2 Ed. 9807

Doc. Nr.: **2-04 802**