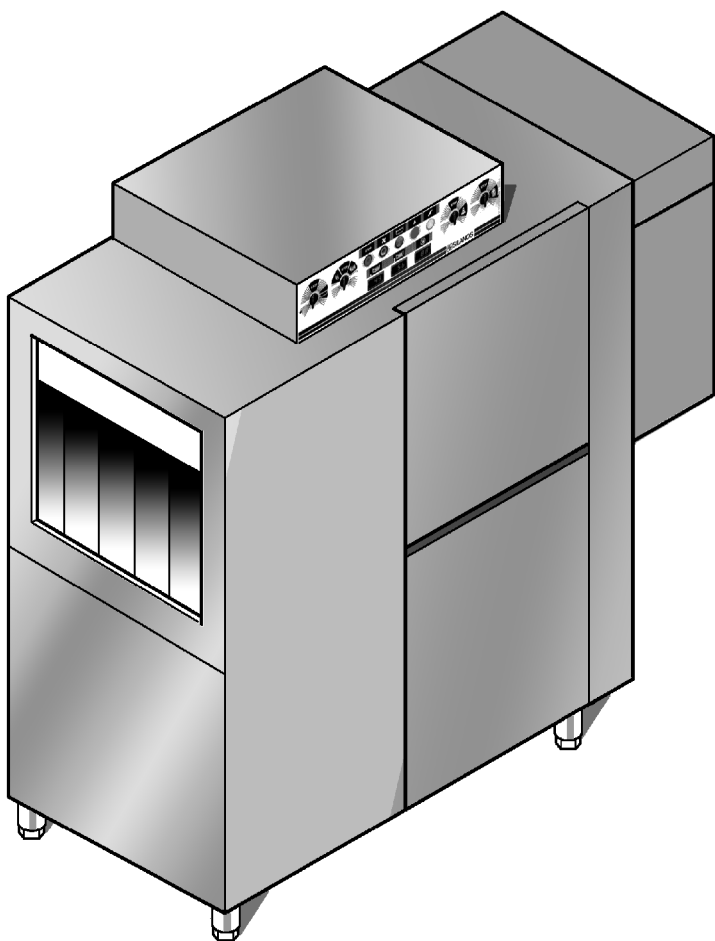


LAVASTOVIGLIE A TRAINO
RACK-CONVEYOR DISHWASHER
LAVE-VAISSELLE A AVANCEMENT
AUTOMATIQUE DES CASIERS
ZUGSPÜLMASCHINEN
LAVA-VAJILLAS DE ARRASTRE

Зип Общепит

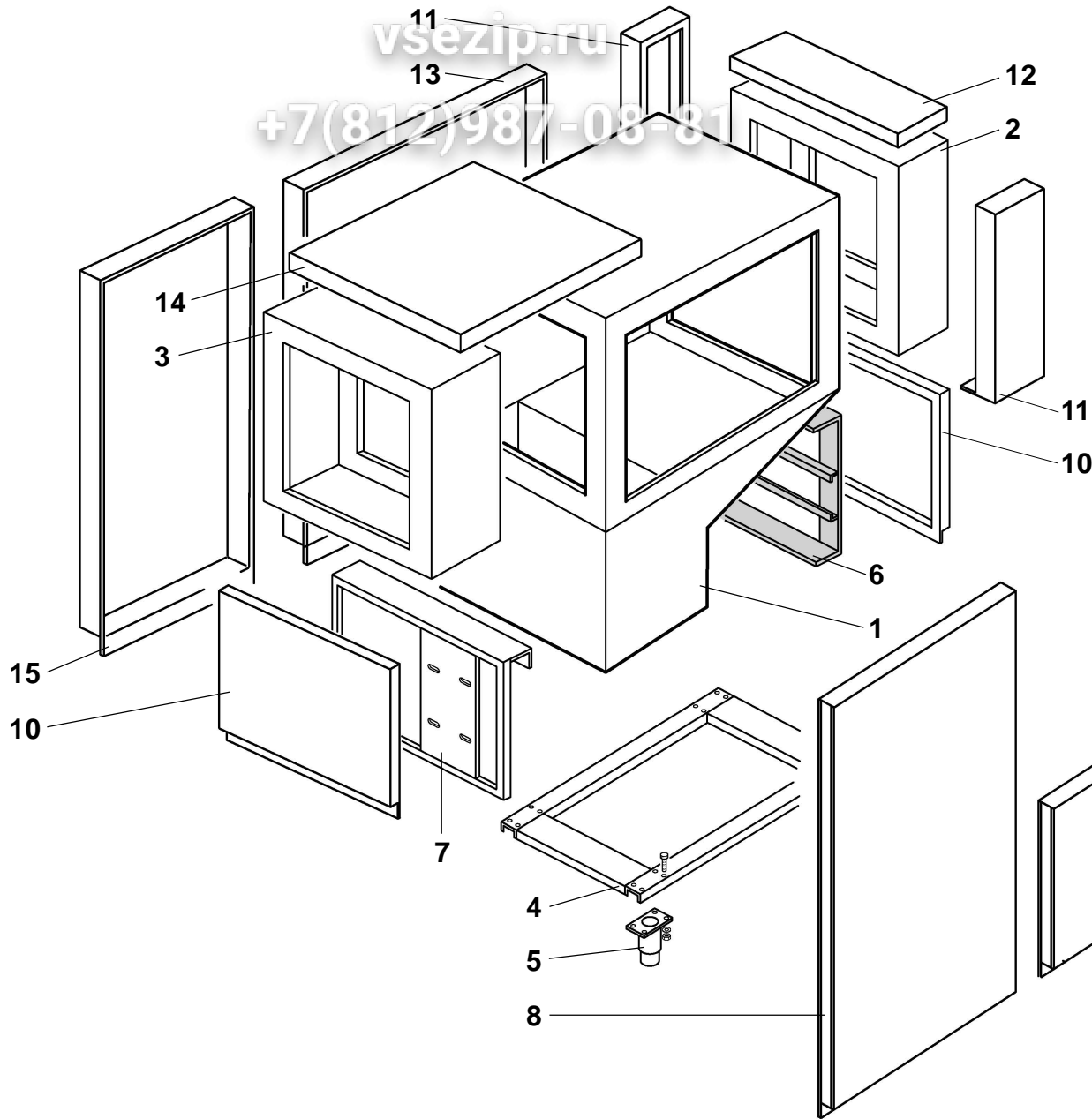
vsezip.ru

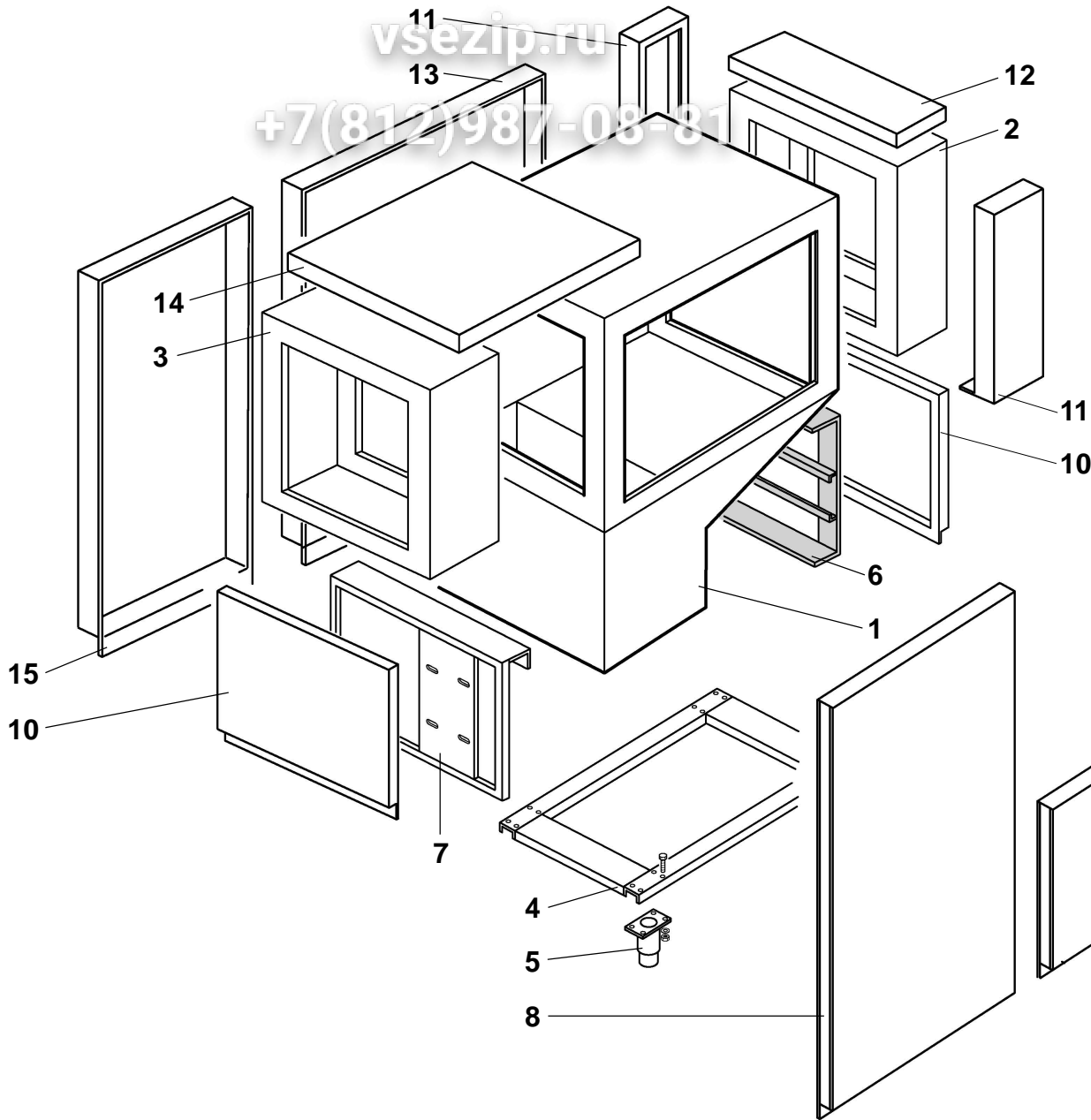
+7(812)987-08-81



T2000

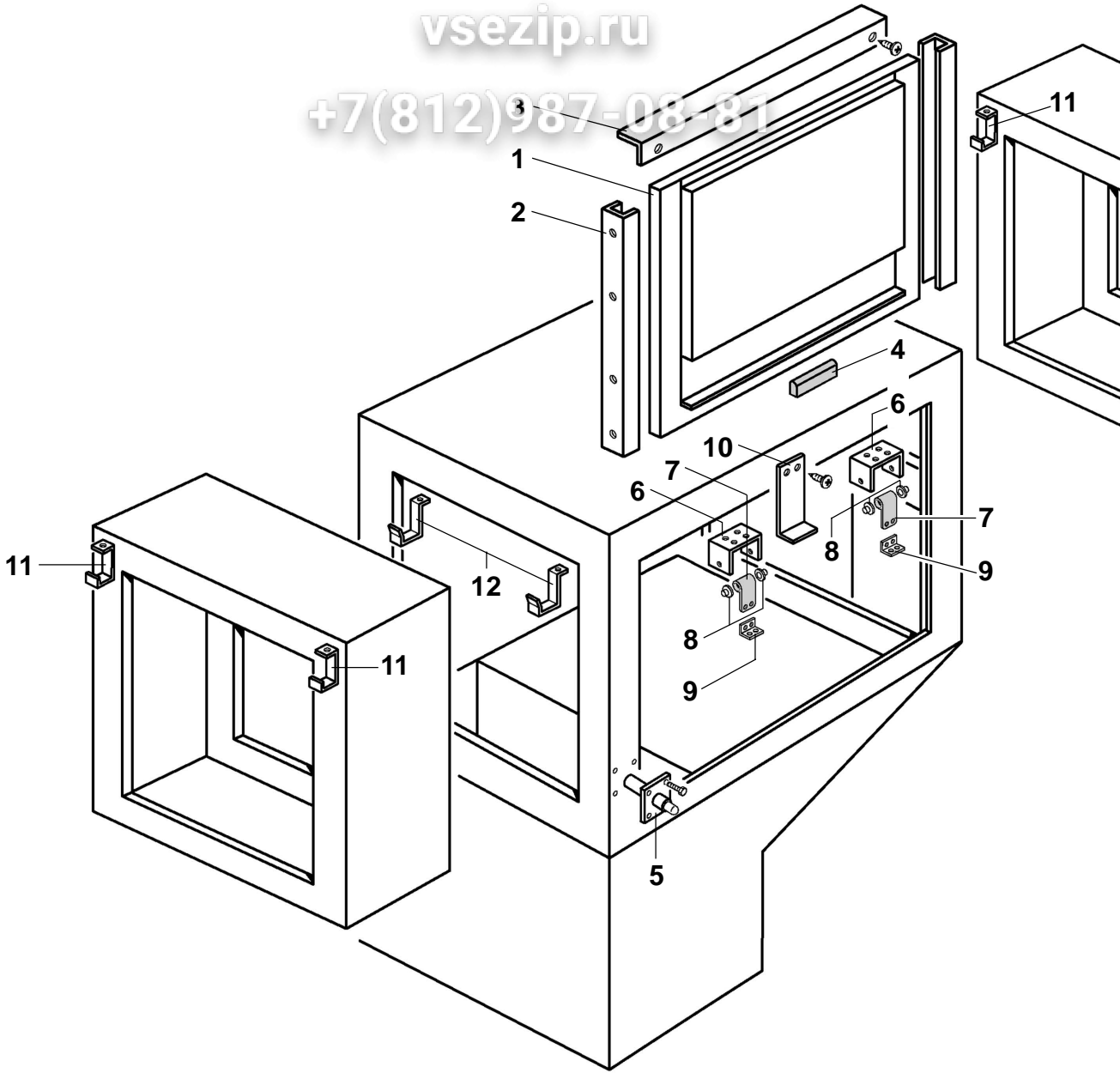
MANUALE PARTI DI RICAMBIO
SPARE PARTS MANUAL
CATALOGUES PIÉCES DETACHEES
ERSATZTEILEKATALOG
MANUAL PARTES DE REPUESTO





vsezip.ru

+7(812)987-08-81



LAVASTOVIGLIE A TRAINO Общепит LAVAGGIO

Pos	COD.	COD.	Q.TÀ	DESCRIZIONE	DENOMINATION	DESCRIPTION	BEZEICHNUNG
1	TR 2202		1	FILTRO	FILTRE	FILTER	FILTER
2	TR 2204		1	FILTRO	FILTRE	FILTER	FILTER
3	TR 1115		1	TROPPO PIENO	NIVEAU	OVER FLOW	UBERLAUFER
4	TR 0464		1	GUIDA TROPPO PIENO	COULISSE NIVEAU	OVER FLOW GUIDE	UBERLAUFER
5	TR 1234		1	RACCORDO 1" ¼	RACCORD	PIPE FITTING	ABLAUFANS
6	904380		4	O-RING	O-RING	O-RING	O-RING
7	902080		4	GHIERA 1" ¼	VIROLE	LOCK NUT	NUT MUTTER
8	905450		3	RACCORDO 1" ¼	RACCORD	PIPE FITTING	ABLAUFANS
9	TR 0977		1	RACCORDO ASPIRAZIONE	RACCORD	PIPE FITTING	SAUGANSCH
10	TR 0268		1	TRAPPOLA ARIA	RESERVOIR AIR	AIR TRAP	LUFT FALLE
11	905275		1	PRESSOSTATO	PRESSOSTAT	PRESSURE SWITCH	DRUCHWAE
12	907272		1	TUBO PRESSOSTATO	TUYAU PRESSOSTAT	PRESSURE SWITCH PIPE	SCHLAUCH
13	902100		1	GHIERA 3/8"	VIROLE	LOCK NUT	NUT MUTTER
14	903260		1	GUARNIZIONE	JOINT	GASKET	DICHTUNG
15	TR 3196		1	PROTEZIONE GOMMA	PROTECTION EN CAOUTCH.	RUBBER COVER	SCHUTZ
16	TR 0309		1	REED MAGNETICO	REED	REED	REED
17	TR 0335		1	RESISTENZA 8000W	RESISTANCE	HEATING ELEMENT	HEIZKÖRPER
18	907981		1	O-RING	O-RING	O-RING	O-RING
19	TR 1037		1	COPRIRESISTENZA	PROTECTION RESISTANCE	HEATING COVER	HEIZKÖRPER
20	TR 0460		2	TENDINA	RIDEAU	CURTAIN	SPRITZSCHU
21	907100		1	TERMOSTATO	THERMOSTAT	THERMOSTAT	THERMOSTA
22	903982		1	MANOPOLA	BOUTON	KNOB	KNOPF
23	TR 2162		2	SQUADRETTA TENDINA	EQUERRE RIDEAU	BRACKET CURTAIN	WINKEL SPR
24	TR 2034		2	ALBERO PER TENDINA	ARBRE RIDEAU	CURTAIN ROD	HALTERUNG
25	TR 0298		1	PORTABULBO	SIÈGE DE BULBE	SEATING BULB	KUGELSITZ
26	903250		1	GUARNIZIONE	JOINT	GASKET	DICHTUNG
27	902110		1	GHIERA ½"	VIROLE	LOCK NUT	NUT MUTTER
28	TR 1071		1	SQUADRETTA REED	EQUERRE REED	REED BRACKET	WINKEL REE
29	906399		1	SQUADRETTA PRESSOSTATO	EQUERRE PRESSOSTAT	PRESSURE SWITCH BRACKET	WINKEL DRU
30	TR 0189		1	GUARNIZIONE	JOINT	GASKET	DICHTUNG

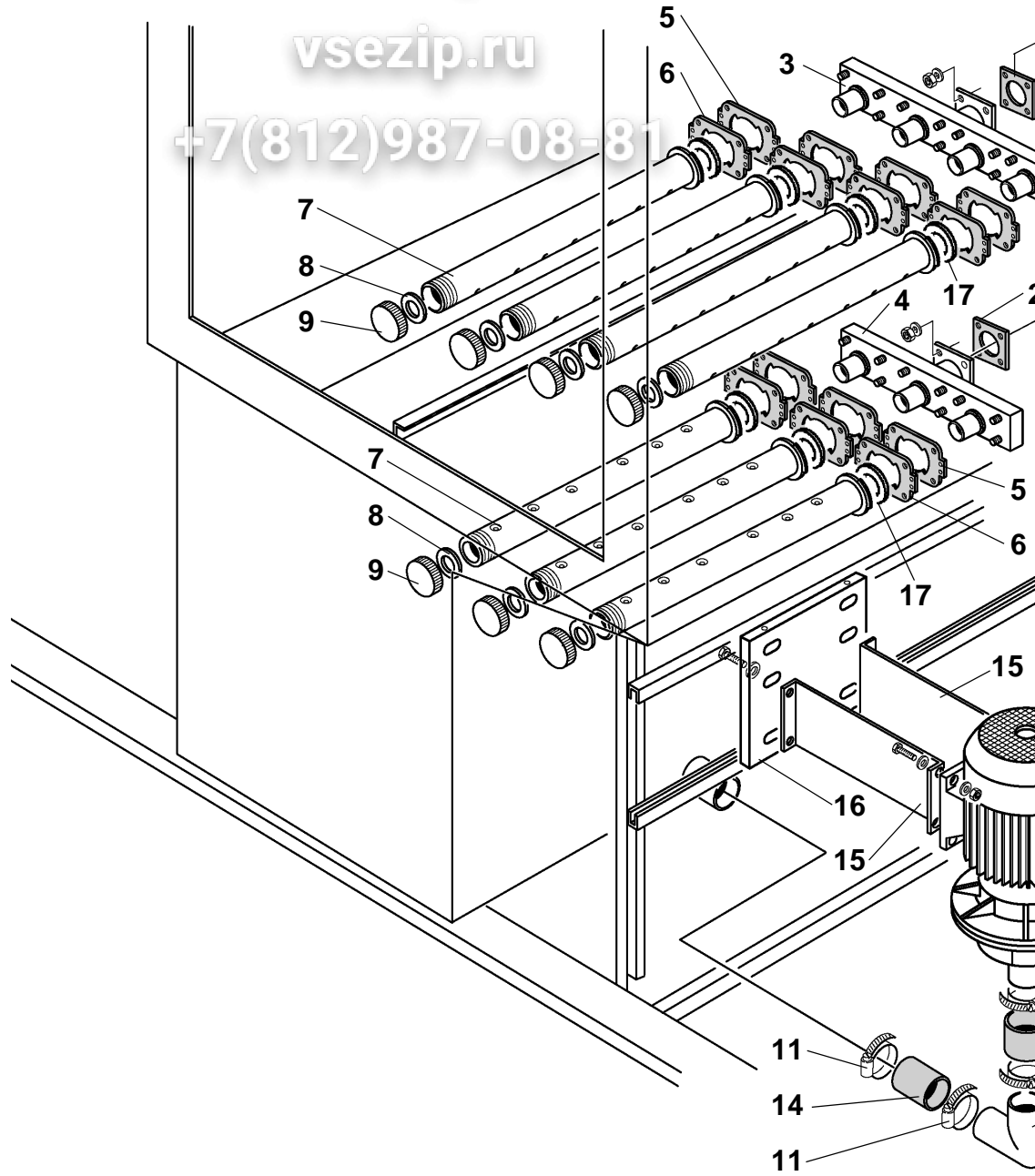
LAVASTOVIGLIE A TRAIRO

Общепит

LA/AGGIO

vsezip.ru

+7(812)987-08-81



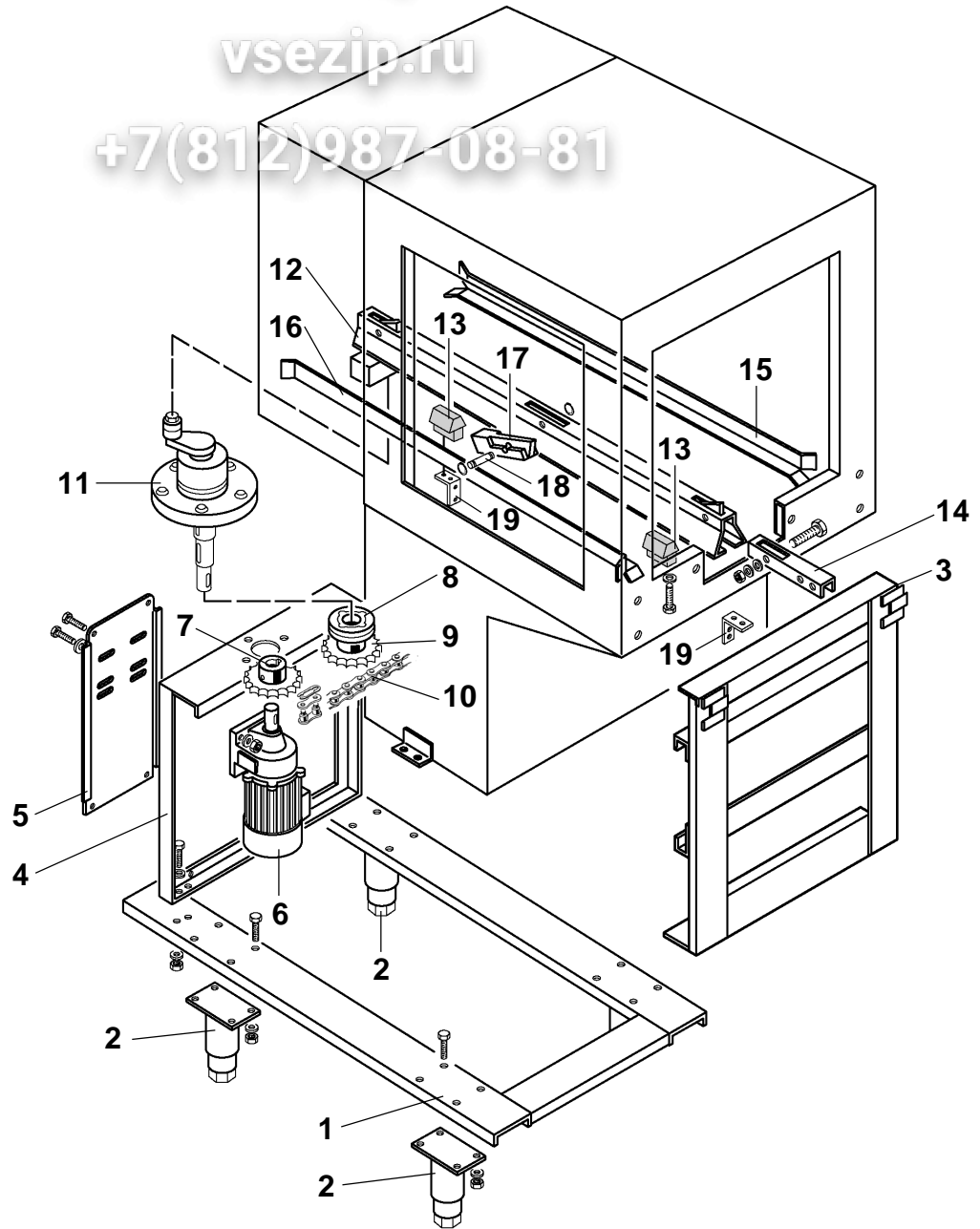
LAVASTOVIGLIE A TRAINO

Общедоступно

CAPOTE LAVAGGIO

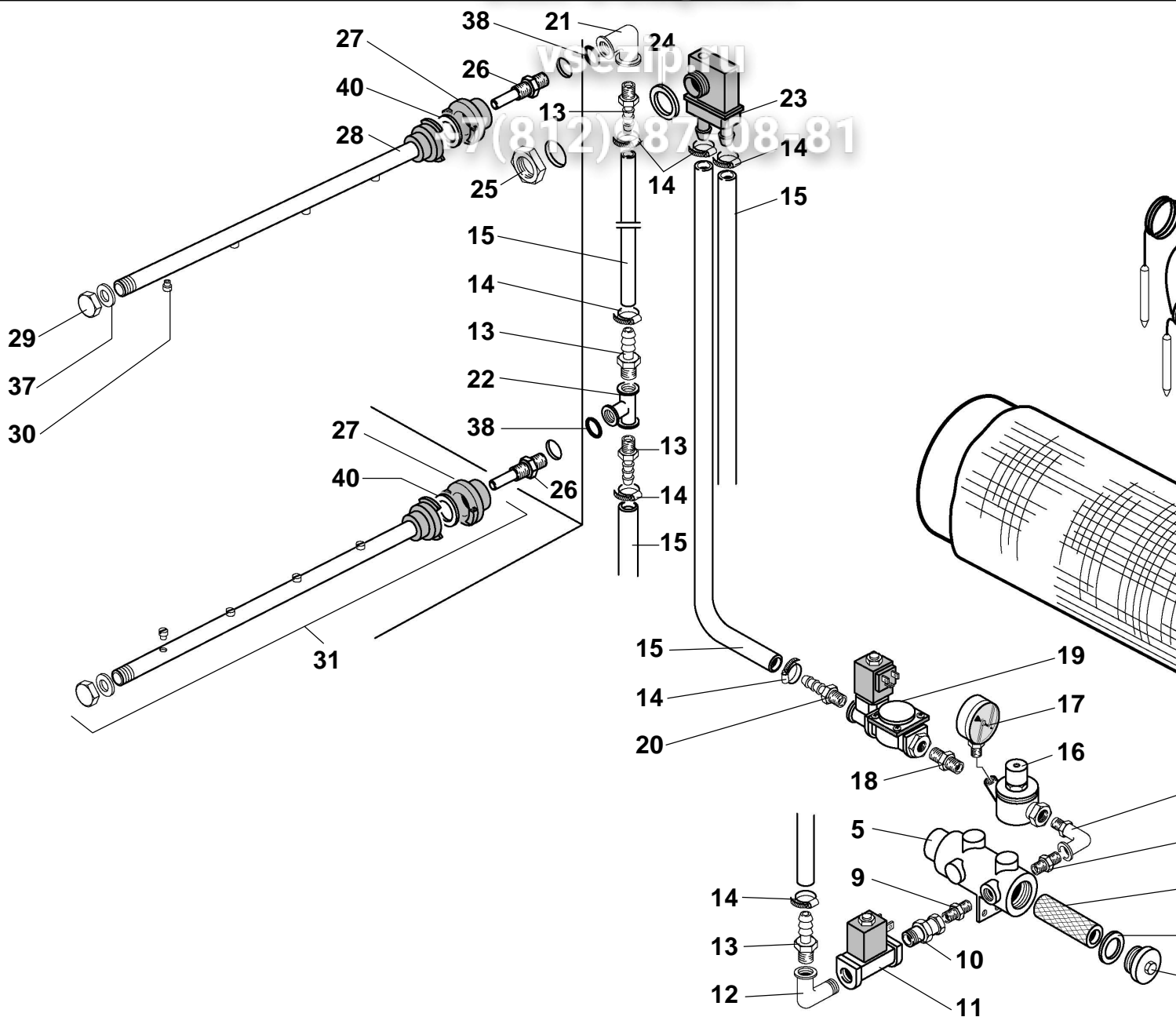
vsezip.ru

+7(812)987-08-81



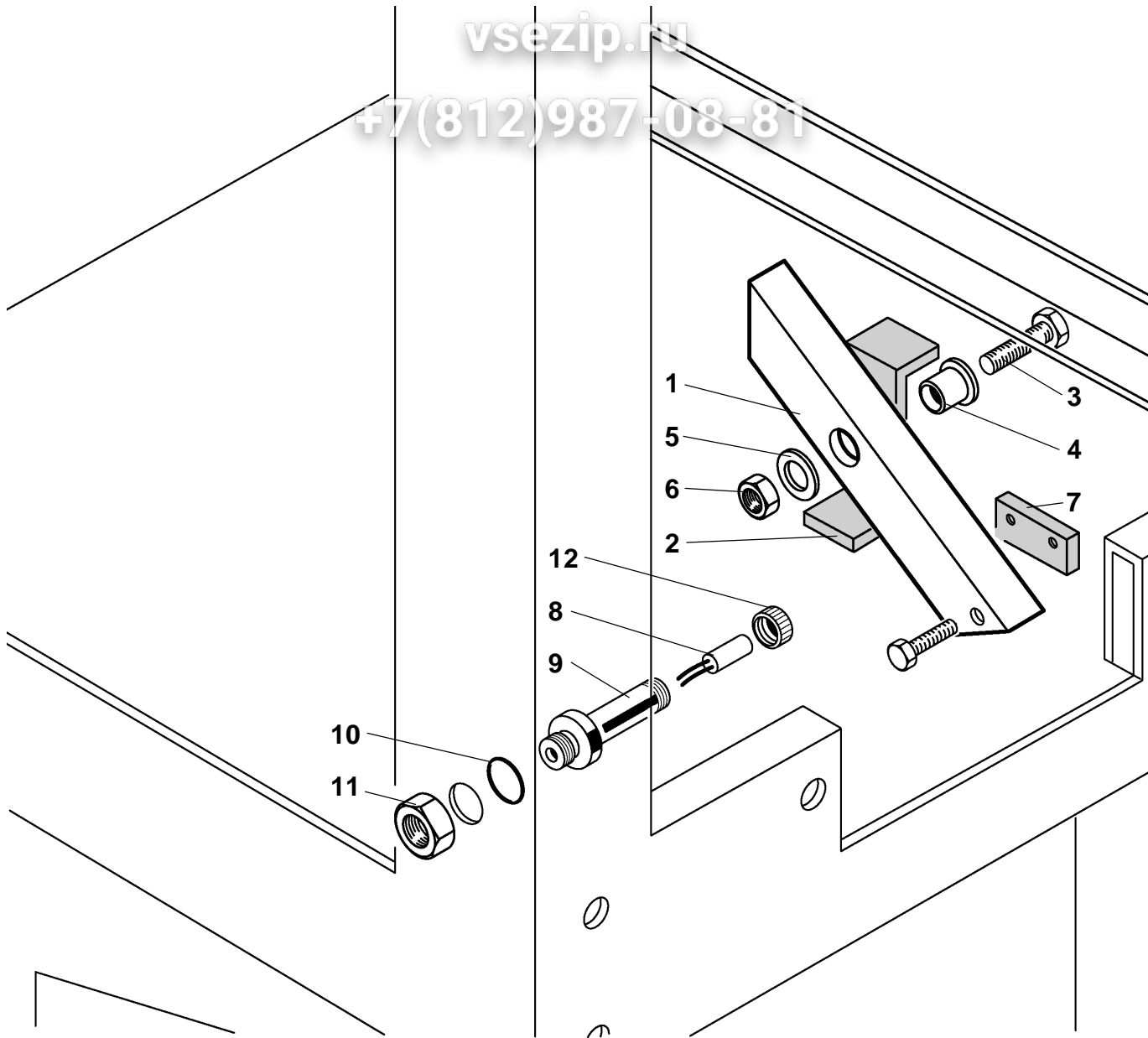
LAVASTOVIGLIE A TRAINO

RISCIAQUO



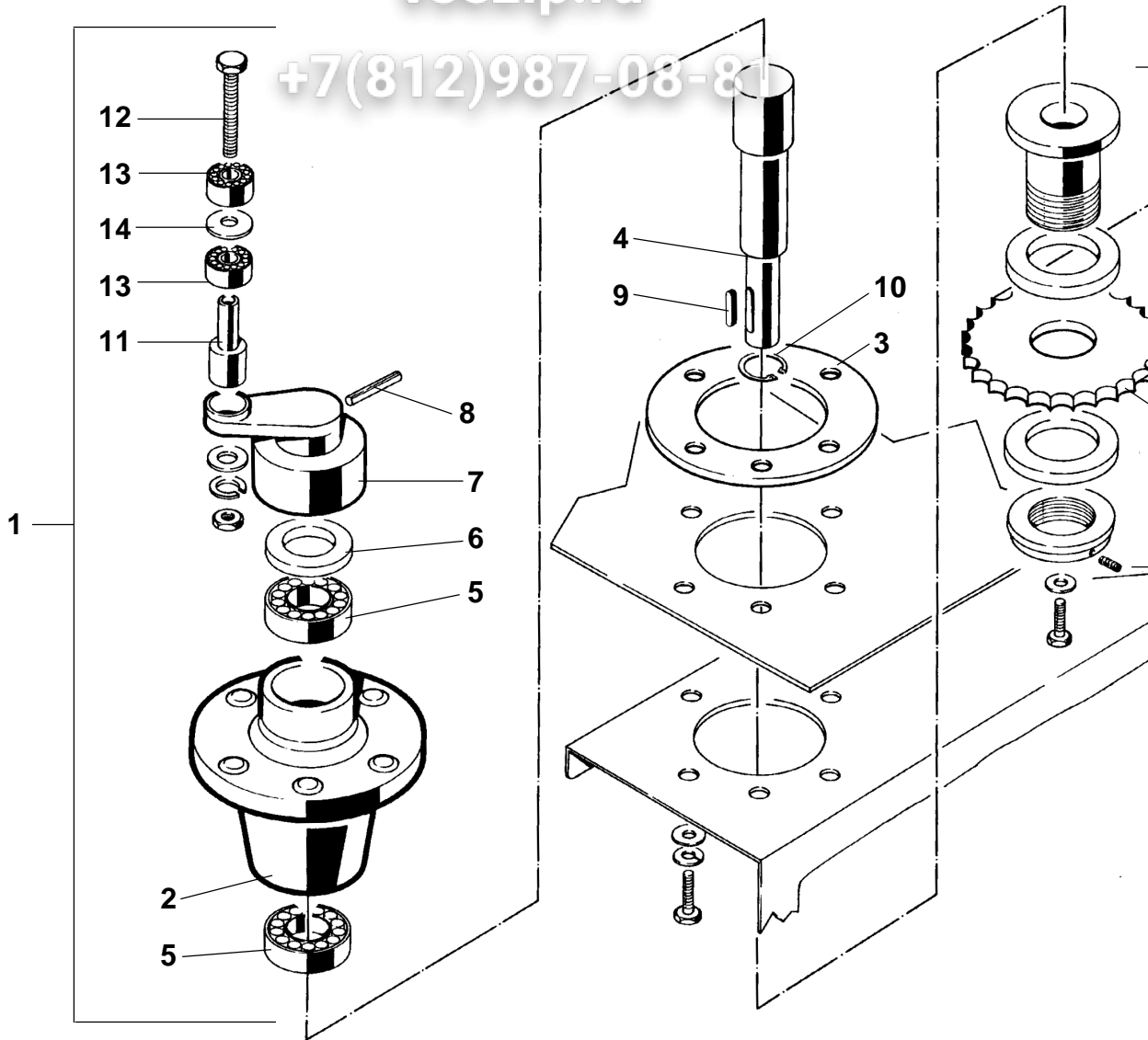
vsezip.ru

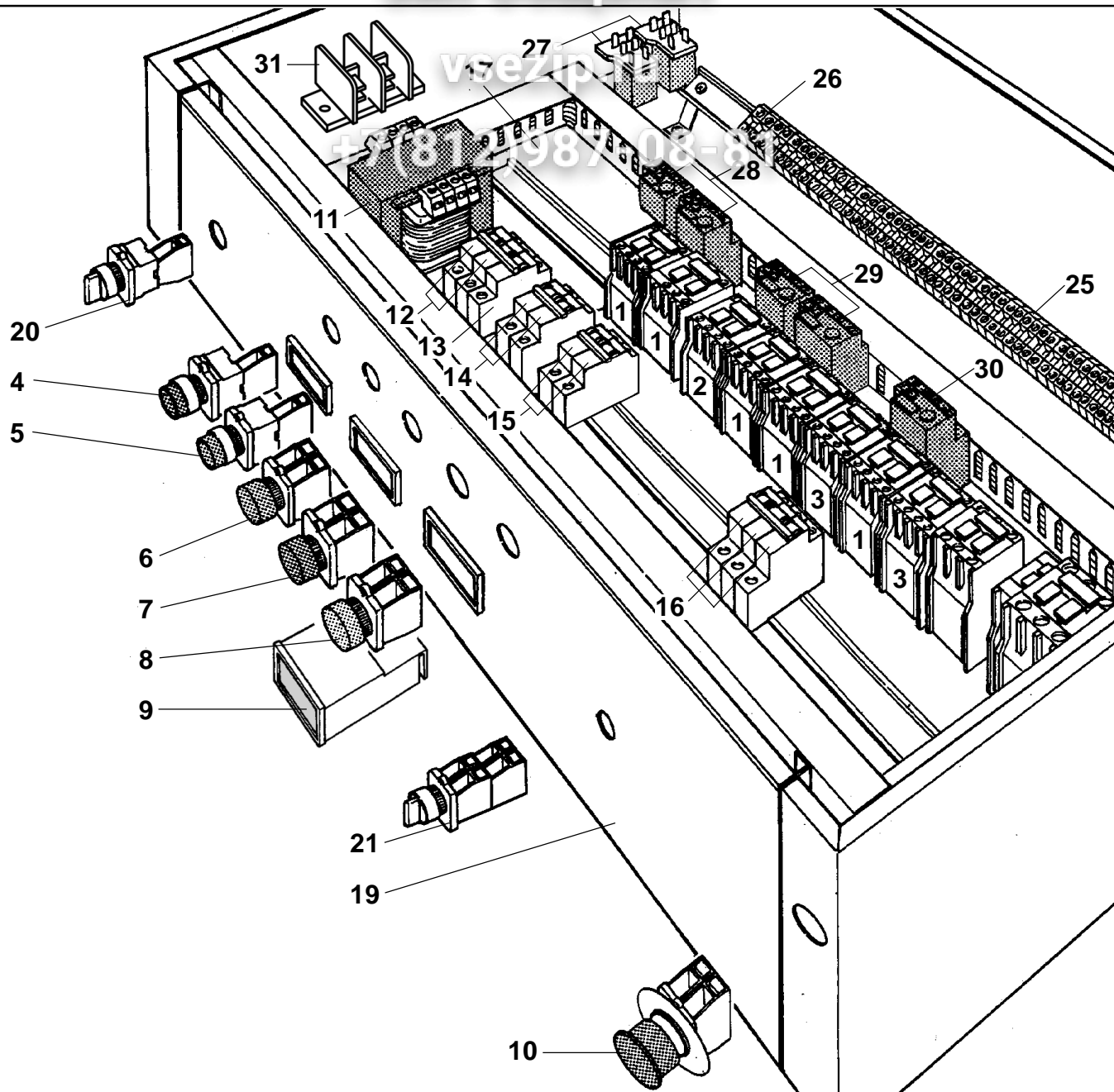
+7(812)987-08-81



vsezip.ru

+7(812)987-08-81

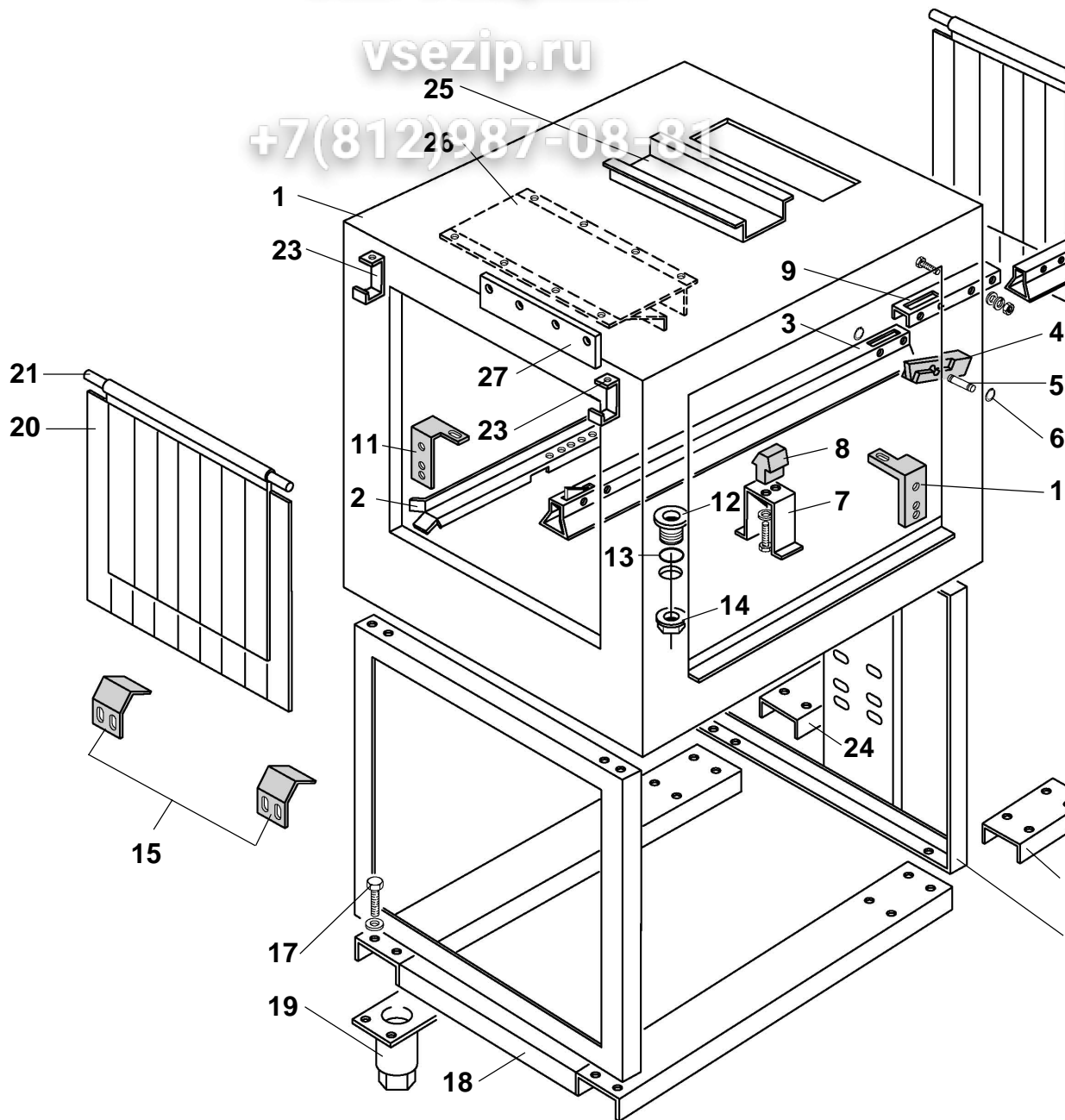




Pos	COD.	COD.	Q.TÀ	DESCRIZIONE	DENOMINATION	DESCRIPTION	BEZEICHNUNG
1	TR0370		5	TELERUTTORE 9A	TELERUPTEUR	CONTACTOR	SCHUTZ
2	TR0373		3	TELERUTTORE 18A	TELERUPTEUR	CONTACTOR	SCHUTZ
3	TR0372		1	TELERUTTORE 9A	TELERUPTEUR	CONTACTOR	SCHUTZ
4	TR0351		1	PULSANTE D'ARRESTO	BOUTON D'ARRET	STOP PUSH BUTTON	NOT STOP T.
5	TR0349		1	PULSANTE DI MARCIA	BOUTON DE MARRAGE	START PUSH BUTTON	ANLASSKNOPF
6	TR0284		1	PULSANTE LUMINOSO VERDE	BOUTON VERTE	GREEN PUSH BUTTON	GRUNE DRUCK
7	TR0287		1	PULSANTE LUMINOSO ROSSO	BOUTON ROUGE	RED PUSH BUTTON	ROTE DRUCK
8	TR0348		1	PULSANTE LUMINOSO GIALLO	BOUTON JAUNE	YELLOW PUSH BUTTON	GELB DRUCK
9	TR0402		2	TERMOMETRO DIGITALE	THERMOMETRE DIGITAL	DIGITAL THERMOMETER	DIGITAL THE
10	TR0328		1	PULSANTE ARRESTO GENERALE	BOUTON D'ARRET GEN.	MAIN STOP PUSH BUTTON	NOT STOP T.
11	TR0420		1	TRASFORMATORE 250 VA	TRANSFORMATEUR	TRANSFORMER	TRANSFORM
12	TR0222		2	INTERRUTTORE 2P 4A	INTERRUPTEUR	MAIN SWITCH	SCHALTER
13	TR0219		1	INTERRUTTORE 1P 10A	INTERRUPTEUR	MAIN SWITCH	SCHALTER
14	TR0211		2	INTERRUTTORE 3P 10A	INTERRUPTEUR	MAIN SWITCH	SCHALTER
15	TR0213		2	INTERRUTTORE 3P 32A	INTERRUPTEUR	MAIN SWITCH	SCHALTER
16	TR0212		3	INTERRUTTORE 3P 20A	INTERRUPTEUR	MAIN SWITCH	SCHALTER
17	TR1099		1	SUPP. COMP. ELETTRICI	SUPP. COMP. ELECTRIQUES	ELECTRIC COMP. SUPPORT	KOMPONENT
18	TR0491		1	CASSETTA ELETTRICA	BOITE ELECTRIQUE	CABINET	SCHALT KAST
19	TR0286		1	PANNELLO COMANDI	TABEAU COMMANDE	CONTROL PANEL	SCHALT TAFE
20	TR0310		1	SELETTORE 0-1	SELECTEUR 0-1	SELECTOR 0-1	WAHLSCHAL
21	TR0311		1	SELETTORE 0-1-2	SELECTEUR 0-1-2	SELECTOR 0-1-2	WAHLSCHAL
22	TR0257		1	MORSETTO TERRA 35 mm ²	BORNE	TERMINAL	KLEMMLEIST
23	TR0255		3	MORSETTO 35 mm ²	BORNE	TERMINAL	KLEMMLEIST
24	TR0319		9	MORSETTO 10 mm ²	BORNE	TERMINAL	KLEMMLEIST
25	TR0248		49	MORSETTO 4 mm ²	BORNE	TERMINAL	KLEMMLEIST
26	TR0334		1	MORSETTO CHIUSURA 10 mm ²	BORNE	TERMINAL	KLEMMLEIST
27	TR0300		2	RELÈ 24 V	RELAIS	RELAY	RELAIS
28	TR0394		2	TERMICA 1,25-2A	TERMIQUE	OVERLOAD RELAY	THERMOAUS
29	TR0390		2	TERMICA 0,63-1A	TERMIQUE	OVERLOAD RELAY	THERMOAUS
30	TR0400		1	TERMICA 4-6A	TERMIQUE	OVERLOAD RELAY	THERMOAUS
31	955068		1	MORSETTO NYLON 4 mm ²	BORNE	TERMINAL	KLEMMLEIST

vsezip.ru

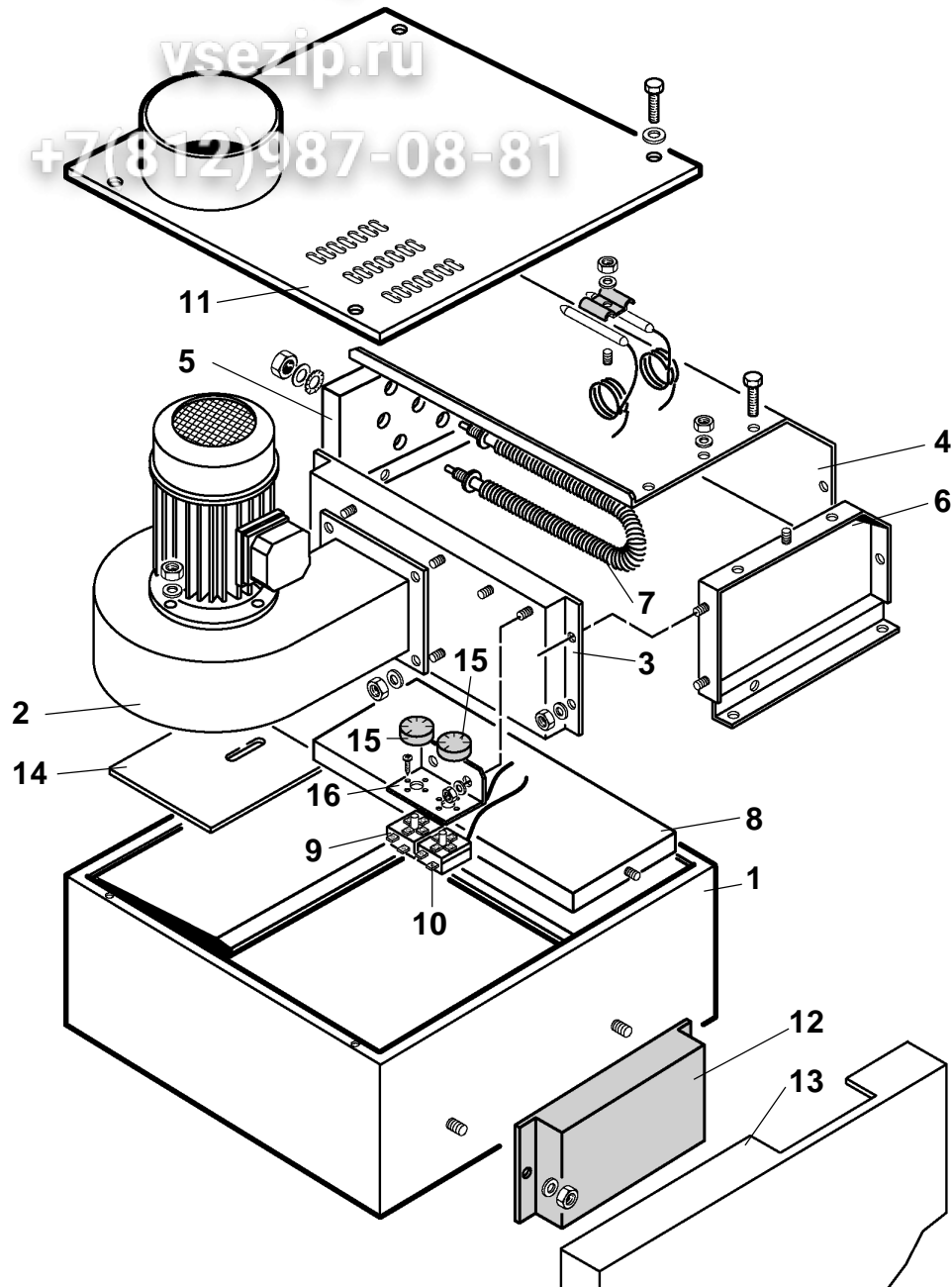
+7(812)987-08-81

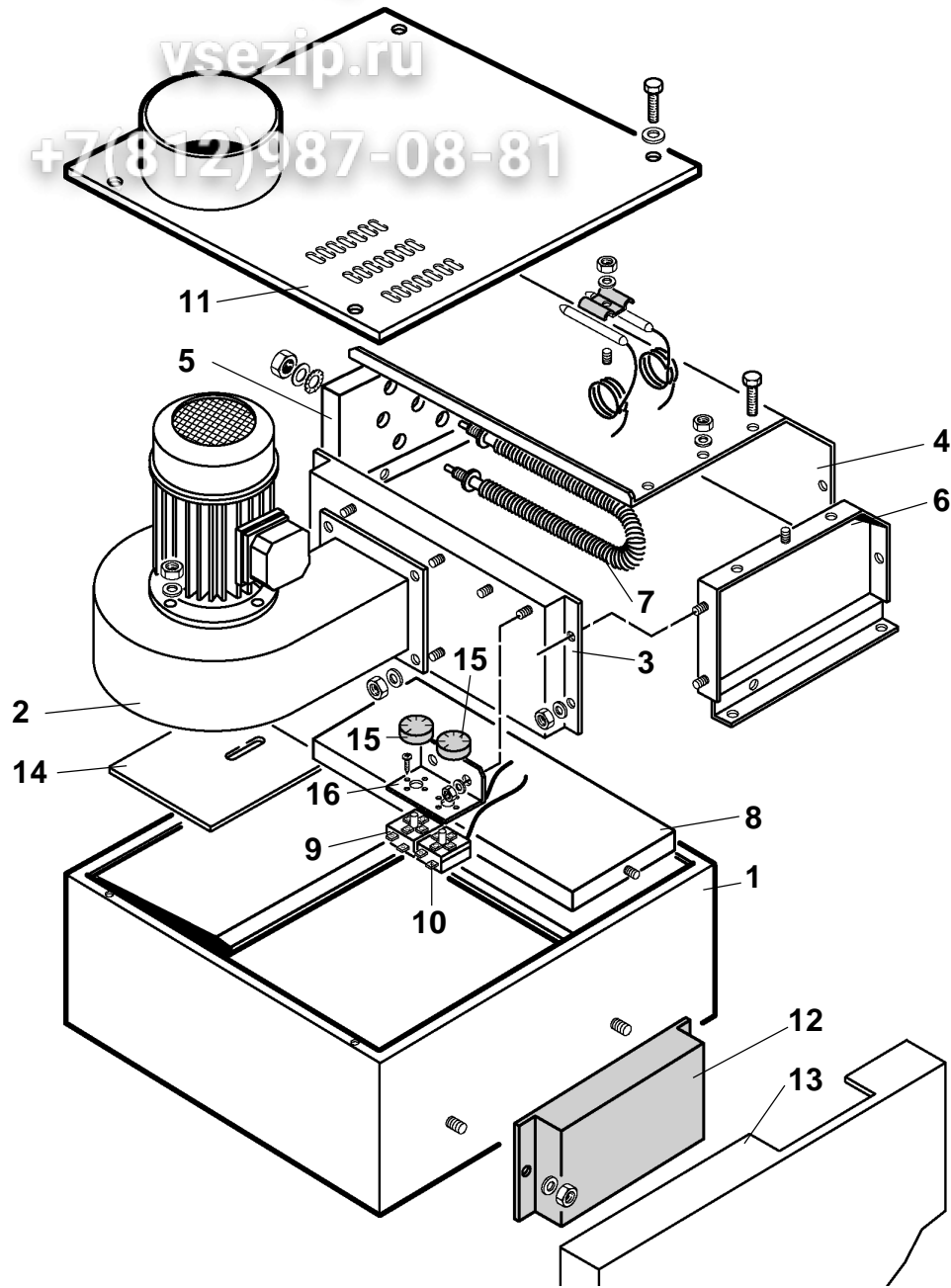


LAVASTOVIGLIE A TRAINO

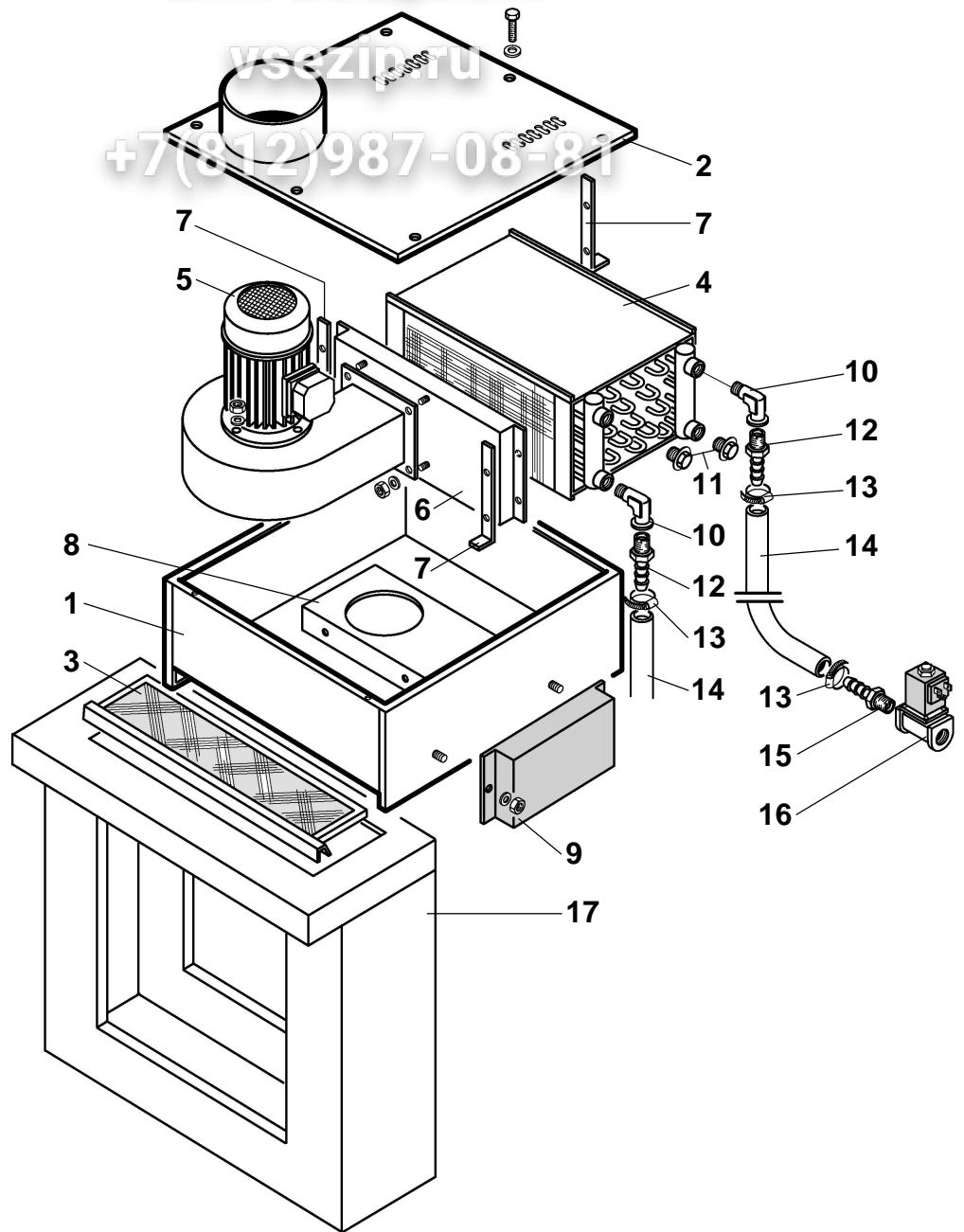
ASCIUGATURA

Pos	COD.	COD.	Q.TÀ	DESCRIZIONE	DENOMINATION	DESCRIPTION	BEZEICHNUNG
1	TR 2189		1	CAPOTE ASCIUGATURA	CAPOTE TUNNEL SECHAGE	DRYING TUNNEL	TROCKEN Z
2	TR 2117		1	GUIDA CESTELLIANT.	COULISSE PANIER	BASKET GUIDE	KORBUFÜHR
2	TR 2118		1	GUIDA CESTELLIPOST.	COULISSE PANIER	BASKET GUIDE	KORBUFÜHR
3	TR 2067		1	GUIDA SALTARELLI	RAIL SAUTERELLE	PAWL BAR	ZENTRALE M
4	TR 0261		2	SALTARELLO	SAUTERELLE	PAWL	NOCHE
5	TR 2129		2	PERNO	AXE	PIN	STIFT
6	TR 0321		4	SEEGER	SEEGER	SEEGER	SEEGER SICH
7	TR 0589		1	SOSTEGNO CENTRALE	SUPPORT CENTRAL	CENTRAL STANCHION	ZENTRALE U
8	TR 0357		1	SUPPORTO GUIDA	SUPPORT COULISSE	FRICTION PAD	GLEITSTUCK
9	TR 2052		1	GIUNZIONE GUIDA	LIAISON COULISSE	CONNECTION GUIDE	VERBINDUN
10	TR 0645		2	SUPPORTO GUIDA CEST. SX	SUPPORT COULISSE	SUPPORT GUIDE	FÜHRUNG H.
11	TR 0644		2	SUPPORTO GUIDA CEST. DX	SUPPORT COULISSE	SUPPORT GUIDE	FÜHRUNG H.
12	TR 1234		1	RACCORDO SCARICO 1" ¼	RACCORD	PIPE FITTING	ANSCHLUSS
13	904380		1	O-RING	O-RING	O-RING	O-RING
14	902080		1	GHIERA 1" ¼	VIROLE	LOCK NUT	NUT MUTTER
15	TR 2163		2	SQUADR. USCITA CESTELLI	EQUERRE SORTIE PANIER	BRACKET UNLOADING TRACK	AUSLAUFWIN
16	TR 0596		1	SUPP. MOTORIDUTTORE	SUPPORT MOTOREDUCTEUR	SPEED REDUCER SUPPORT	GETRIEBEM
17	TR 0623		1	SUPP. CAPOTE ASCIUGATURA	SUPPORT TUNNEL SECHAGE	DRYING TUNNEL SUPPORT	TROCKEN Z
18	TR 0597		1	TELAIO	CHASSIS	FRAME	RAHMEN
19	TR 0299		4	PIEDE	PIED	FOOT	FUSS
20	TR 0470		1	TENDINA	RIDEAU	CURTAIN	SPRITZSCH
21	TR 2034		2	ALBERO TENDINA	ARBRE RIDEAU	CURTAIN ROD	HALTERUNG
22	TR 0460		1	TENDINA	RIDEAU	CURTAIN	SPRITZSCH
23	TR 2169		2	SQUADR. PER TENDINA	EQUERRE POUR RIDEAU	BRACKET CURTAIN	WINKEL SPR
24	TR 0646		1	GIUNZIONE TELAIO	LIAISON POUR CHASSIS	CONNECTION FRAME	VERBINDUN
25	TR 2186		1	DEFLETTORE ASPIRAZIONE	DEFLECTEUR ASPIRATION	SUCTION DEFLECTOR	UMLENKBLE
26	TR 2188		1	CONVOGLIATORE	CONVOYER	CHANNEL	ABLEITBLEC
27	TR 0315		1	DEFLETTORE GOMMA	DEFLECTEUR EN CAOUTC.	RUBBER CHANNEL	GUMMIABLE



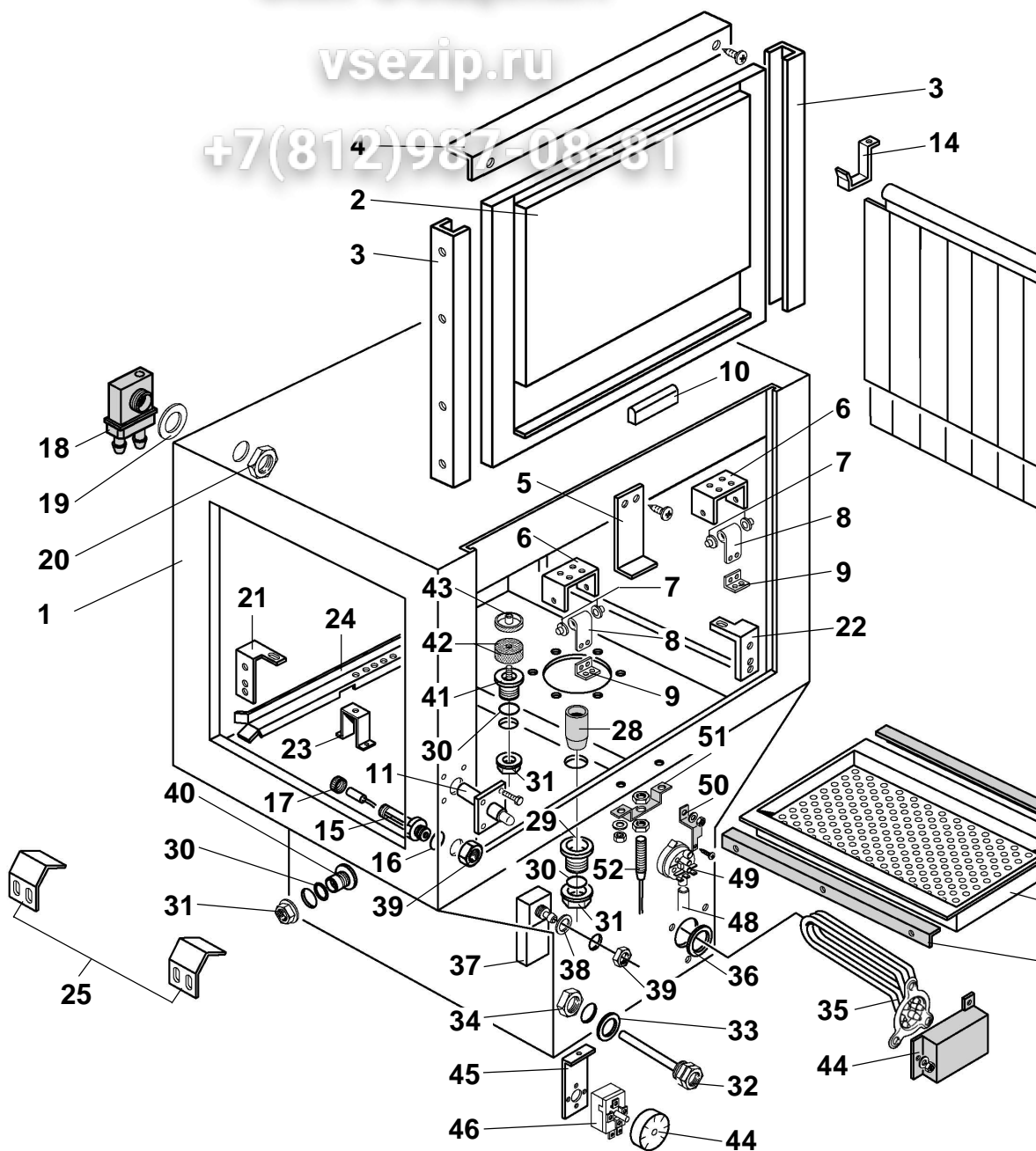


LAVASTOVIGLIE A TRAIRO Общест. CONDENSA VAPORI



vsezip.ru

+7(812)987-08-81



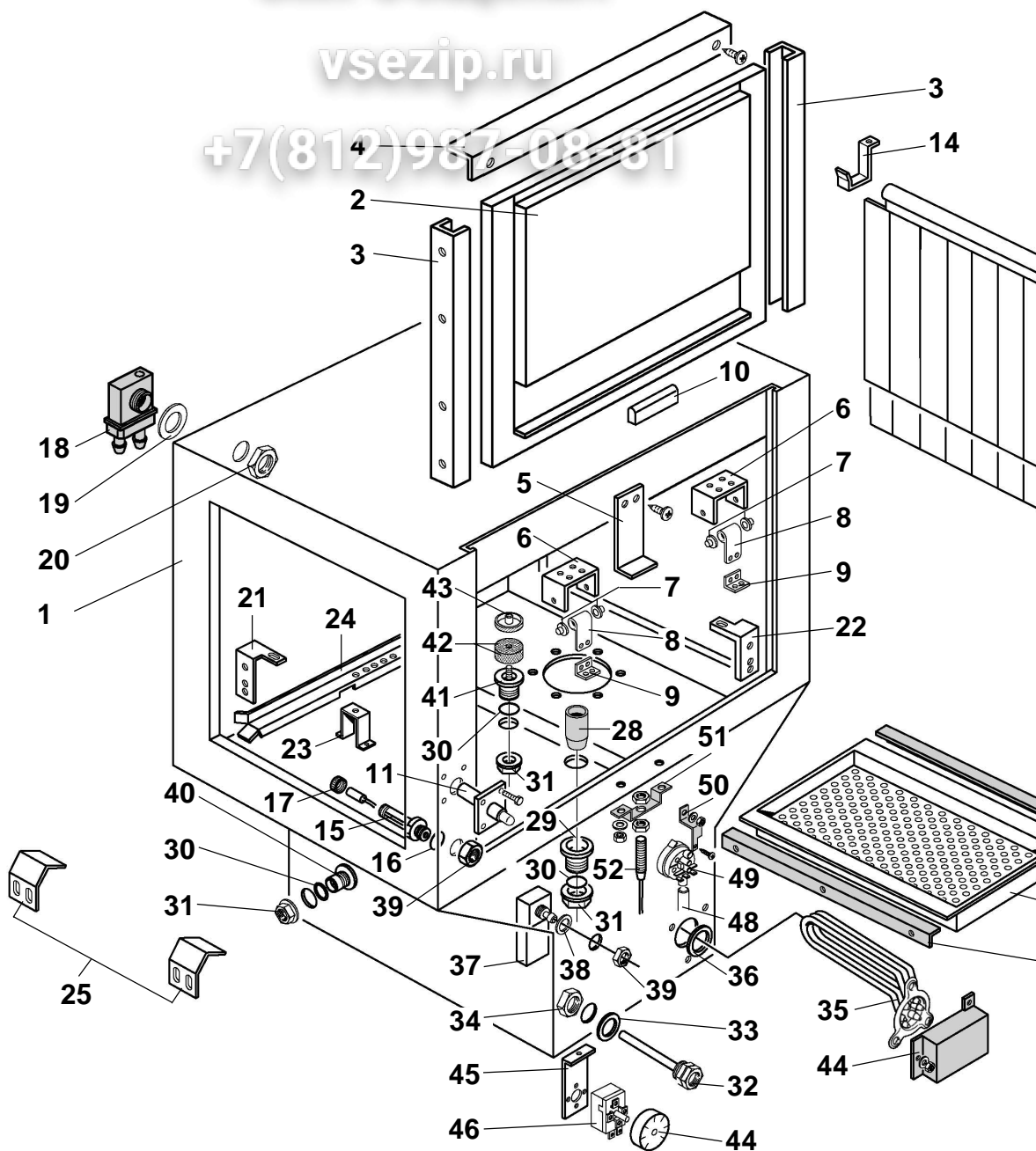
LAVASTOVIGLIE A TRAINO TS2400DX - TS3700DX - TSA3700DX - TSA4600DX

DOPPIA

Pos	COD.	COD.	Q.TÀ	DESCRIZIONE	DENOMINATION	DESCRIPTION	BEZEICHNUNG
1	TR 0624		1	CAPOTE DOPPIO RISC. DX	CAPOTE	HOOD	GEHÄUSE
2	TR 2098		1	PORTA	PORTE	DOOR	TÜR
3	TR 1079		2	GUIDA SCORRIM. PORTA	GUIDE	GUIDE	FÜHRUNG
4	TR 2002		1	PARASPRUZZI	GARDE-JETS	SPRAY-GUARD	SPRITZBLEC
5	TR 2185		1	FERMO PORTA	ARRET DE PORTE	SPRING LOCK	FEST TÜR
6	TR 1008		2	SQUADR. FISSAGGIO MOLLA	EQUERRE POUR RESSORT	SPRING SUPPORT	FEDER TRÄG
7	TR 0999		4	SUPP. SCORRIMENTO PORTA	SUPPORT POUR RESSORT	SPRING SUPPORT	FEDER TRÄG
8	TR 1854		2	MOLLA PORTA	RESSORT	SPRING	FEDER
9	TR 0607		2	AGGANCIAMENTO MOLLA	CROCHET RESSORT	SPRING HOOKING	KUPPLUNG F
10	TR 0220		1	CUSTODIA CON MAGNETE	PROTECTION MAGNETO	COVER MAGNET	MAGNETSCH
11	TR 0620		1	BLOCCO SICUREZZA PORTA	BLOC DE SÉCURITÉ PORTE	SAFETY DOOR CATCH	BLOCK TÜR
12	TR 0460		1	TENDINA	RIDEAU	CURTAIN	SPRITZSCHU
13	TR 2034		1	ALBERO PER TENDINA	ARBRE RIDEAU	CURTAIN ROD	HALTERUNG
14	TR 2162		2	SQUADRETTA TENDINA	EQUERRE RIDEAU	BRACKET CURTAIN	WINKEL SPR
15	TR 2206		1	MICRO PORTA PER ECONOM.	MICRO PORTE ECONOMISEUR	DOOR SWITCH ECONOMISER	MICRO SPAR
16	904330		1	O-RING	O-RING	O-RING	O-RING
17	902100		1	DADO 3/8" GAS	ECROU	NUT	MUTTER
18	907460		1	VALVOLA ANTIRITORNO	VALVE	VALVE	VENTIL
19	903290		1	GUARNIZIONE	JOINT	GASKET	DICHTUNG
20	TR 0138		1	GHIERA PG 21	VIOLE	LOCK NUT	NUT MUTTER
21	TR 0645		2	SUPP. GUIDA CESTELLISX	SUPPORT COULISSE	SUPPORT GUIDE	FÜHRUNG HA
22	TR 0644		2	SUPP. GUIDA CESTELLIDX	SUPPORT COULISSE	SUPPORT GUIDE	FÜHRUNG HA
23	TR 2205		2	SUPPORTO GUIDA CESTELLI	SUPPORT COULISSE	SUPPORT GUIDE	FÜHRUNG HA
24	TR 0644		1	GUIDA CESTELLIDX	COULISSE PANIER DROITE	RIGHT BASKET GUIDE	RECHTE KOR
24	TR 0645		1	GUIDA CESTELLISX	COULISSE PANIER GAUCHE	LEFT BASKET GUIDE	LINKE KORBU
25	TR 2163		2	SQUADR. USCITA CESTELLI	EQUERRE SORTIE PANIER	BRACKET UNLOADING TRACK	AUSLAUF WIN

vsezip.ru

+7(812)987-08-81



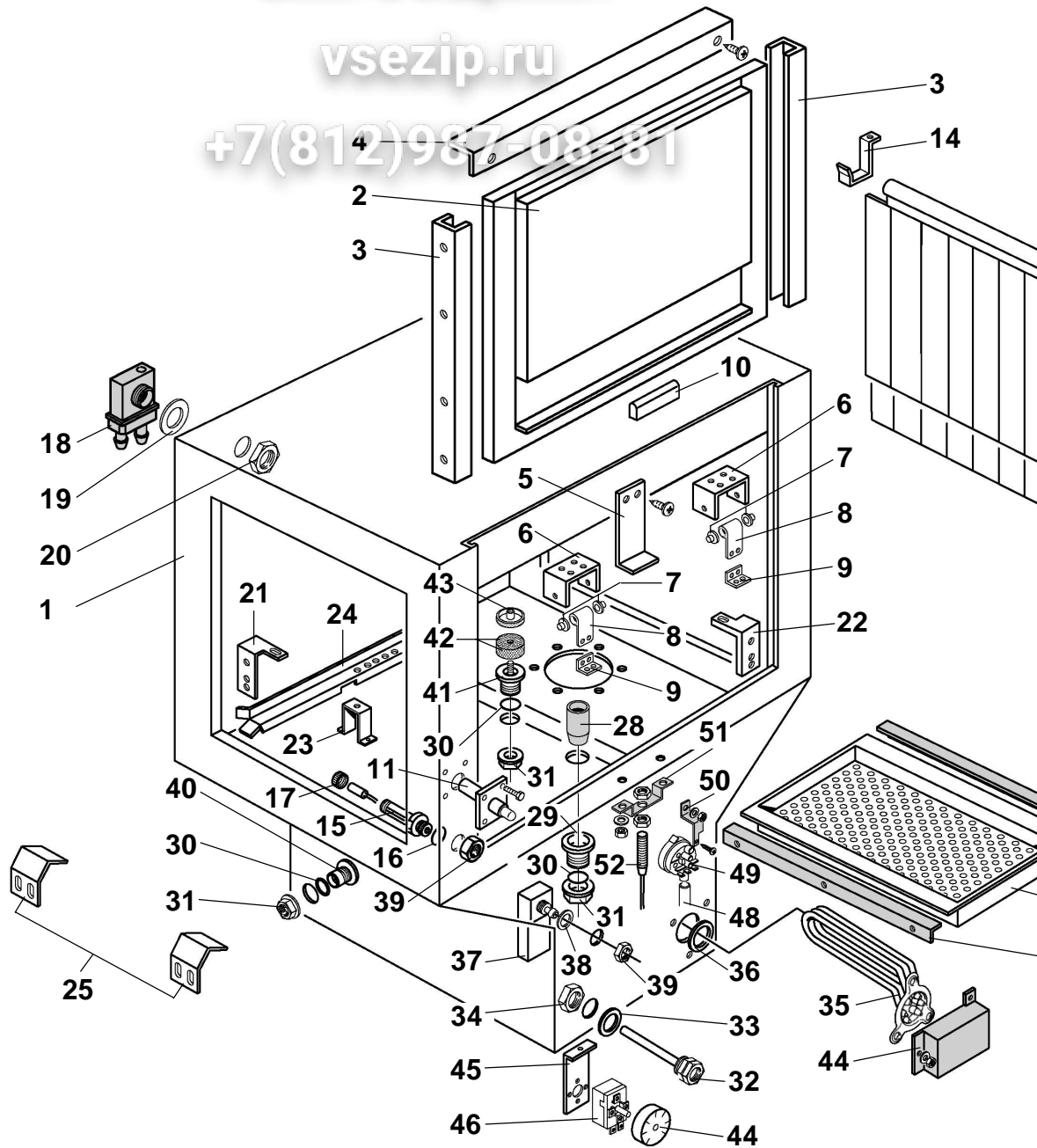
LAVASTOVIGLIE A TRAINO TS2400DX - TS3700DX - TSA3700DX

DOPPI

Pos	COD.	COD.	Q.TÀ	DESCRIZIONE	DENOMINATION	DESCRIPTION	BEZEICHNUNG
26	TR 2202		1	GUIDA FILTRO DX	COULISSE FILTRE DROITE	RIGHT FILTER GUIDE	RECHTE FILT
26	TR 2203		1	GUIDA FILTRO SX	COULISSE FILTRE GAUCHE	LEFT FILTER GUIDE	LINKE FILTE
27	TR 2017		1	FILTRO SUPERFICIE	FILTRE	FILTER	FILTER
28	TR 2204		1	TROPPO PIENO	NIVEAU	OVER FLOW	UBERLAUF
29	TR 1234		1	RACCORDO 1" ¼	RACCORD	PIPE FITTING	ABLAUFANS
30	904380		3	O-RING	O-RING	O-RING	O-RING
31	902080		3	GHIERA 1" ¼	VIROLE	LOCK NUT	NUT MUTTER
32	905191		1	PORTA BULBO	SIÈGE DE BULBE	SEATING BULB	KUGELSI T Z
33	903250		1	GUARNIZIONE	JOINT	GASKET	DICHTUNG
34	902110		1	GHIERA ½"	VIROLE	LOCK NUT	NUT MUTTER
35	905560		1	RESISTENZA 4500 W	RESISTANCE	HEATING ELEMENT	HEIZKÖRPER
36	907981		1	O-RING	O-RING	O-RING	O-RING
37	907252		1	TRAPPOLA ARIA	RESERVOIR AIR	AIR TRAP	LUFTFALLE
38	903260		1	GUARNIZIONE	JOINT	GASKET	DICHTUNG
39	902100		2	GHIERA 3/8"	VIROLE	LOCK NUT	NUT MUTTER
40	905450		1	RACCORDO 1" ¼	RACCORD	PIPE FITTING	ABLAUFANS
41	905380		1	RACCORDO ASPIRAZIONE	RACCORD	PIPE FITTING	ABLAUFANS
42	902580		1	FILTRO VASCA	FILTRE	FILTER	FILTER
43	902850		1	GHIERA FILTRO	VIROLE	LOCK NUT	NUT MUTTER
44	TR 1099		1	COPRIRESISTENZA	PROTECTION RESISTANCE	HEATING COVER	HEIZKÖRPER
45	TR 2144		1	SQUADRETTA TERMOSTATO	EQUERRE THERMOSTAT	THERMOSTAT BRACKET	WINKEL THE
46	907100		1	TERMOSTATO	THERMOSTAT	THERMOSTAT	THERMOSTA
47	903982		1	MANOPOLA	BOUTON	KNOB	KNOPF
48	907272		1	TUBO PRESSOSTATO	TUYAU PRESSOSTAT	PRESSURE SWITCH PIPE	SCHLAUCH
49	905270		1	PRESSOSTATO	PRESSOSTAT	PRESSURE SWITCH	DRUCHWAE
50	906399		1	SQUADRETTA PRESSOSTATO	EQUERRE PRESSOSTAT	PRESSURE SWITCH BRACKET	WINKEL DRU
51	TR 1071		1	SQUADRETTA REED	EQUERRE REED	REED BRACKET	WINKEL REE
52	TR 0309		1	REED MAGNETICO	REED	REED	REED

vsezip.ru

+7(812)987-08-81



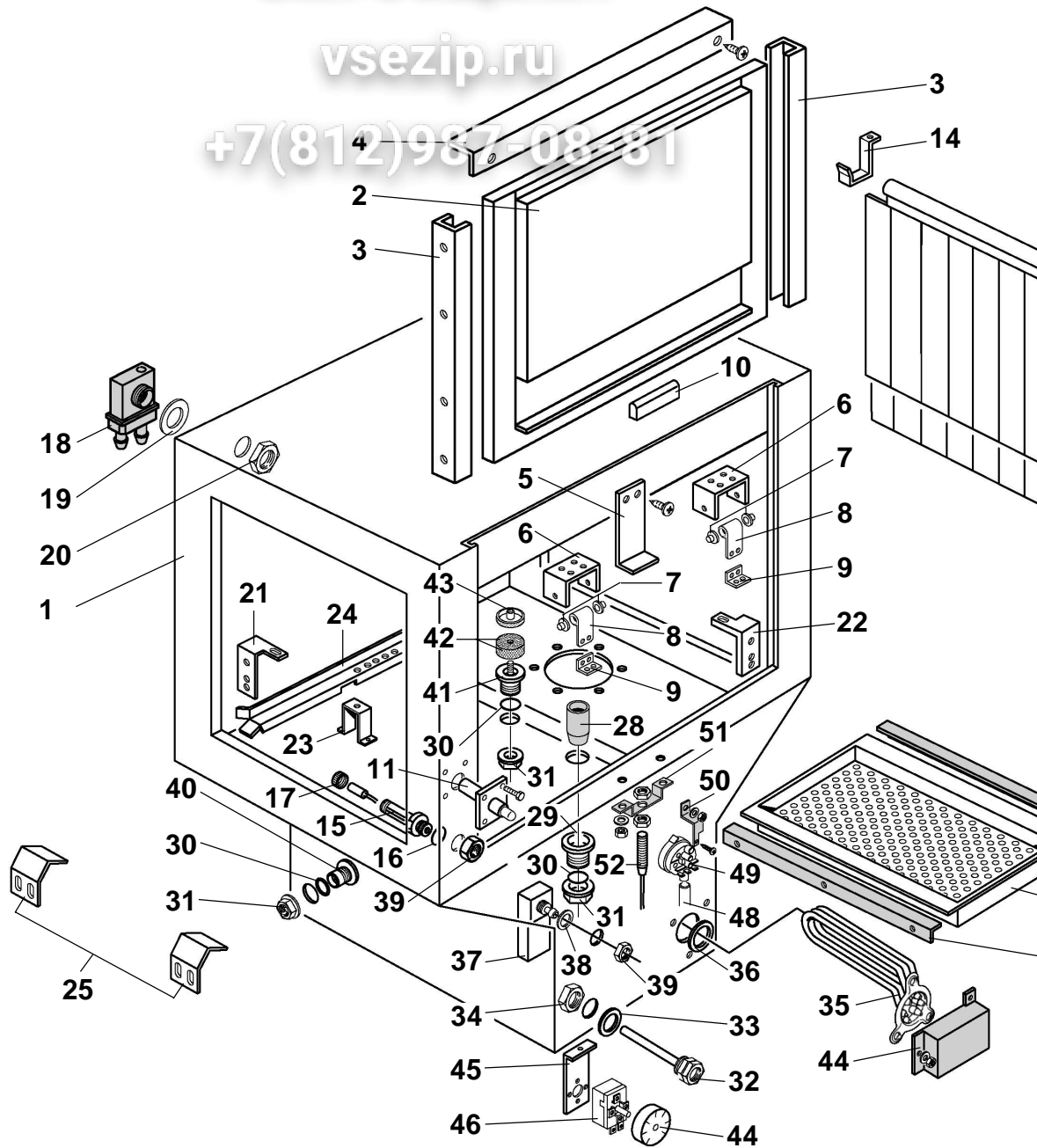
LAVASTOVIGLIE A TRAINO TS2400SX - TS3700SX - TSA3700SX

DOPPIA

Pos	COD.	COD.	Q.TÀ	DESCRIZIONE	DENOMINATION	DESCRIPTION	BEZEICHNUNG
1	TR 0625		1	CAPOTE DOPPIO RISC. SX	CAPOTE	HOOD	GEHÄUSE
2	TR 2098		1	PORTA	PORTE	DOOR	TÜR
3	TR 1079		2	GUIDA SCORRIM. PORTA	GUIDE	GUIDE	FÜHRUNG
4	TR 2002		1	PARASPRUZZI	GARDE-JETS	SPRAY-GUARD	SPRITZBLECK
5	TR 2185		1	FERMO PORTA	ARRET DE PORTE	SPRING LOCK	FEST TÜR
6	TR 1008		2	SQUADR. FISSAGGIO MOLLA	EQUERRE POUR RESSORT	SPRING SUPPORT	FEDER TRÄGER
7	TR 0999		4	SUPP. SCORRIMENTO PORTA	SUPPORT POUR RESSORT	SPRING SUPPORT	FEDER TRÄGER
8	TR 1854		2	MOLLA PORTA	RESSORT	SPRING	FEDER
9	TR 0607		2	AGGANCIAMENTO MOLLA	CROCHET RESSORT	SPRING HOOKING	KUPPLUNG F
10	TR 0220		1	CUSTODIA CON MAGNETE	PROTECTION MAGNETO	COVER MAGNET	MAGNETSCH
11	TR 0620		1	BLOCCO SICUREZZA PORTA	BLOC DE SÉCURITÉ PORTE	SAFETY DOOR CATCH	BLOCK TÜR
12	TR 0460		1	TENDINA	RIDEAU	CURTAIN	SPRITZSCHU
13	TR 2034		1	ALBERO PER TENDINA	ARBRE RIDEAU	CURTAIN ROD	HALTERUNG
14	TR 2162		2	SQUADRETTA TENDINA	EQUERRE RIDEAU	BRACKET CURTAIN	WINKEL SPR
15	TR 2206		1	MICRO PORTA PER ECONOM.	MICRO PORTE ECONOMISEUR	DOOR SWITCH ECONOMISER	MICRO SPAR
16	904330		1	O-RING	O-RING	O-RING	O-RING
17	902100		1	DADO 3/8" GAS	ECROU	NUT	MUTTER
18	907460		1	VALVOLA ANTIRITORNO	VALVE	VALVE	VENTIL
19	903290		1	GUARNIZIONE	JOINT	GASKET	DICHTUNG
20	TR 0138		1	GHIERA PG 21	VIOLE	LOCK NUT	NUT MUTTER
21	TR 0645		2	SUPP. GUIDA CESTELLISX	SUPPORT COULISSE	SUPPORT GUIDE	FÜHRUNG HA
22	TR 0644		2	SUPP. GUIDA CESTELLIDX	SUPPORT COULISSE	SUPPORT GUIDE	FÜHRUNG HA
23	TR 2205		2	SUPPORTO GUIDA CESTELLI	SUPPORT COULISSE	SUPPORT GUIDE	FÜHRUNG HA
24	TR 0644		1	GUIDA CESTELLIDX	COULISSE PANIER DROITE	RIGHT BASKET GUIDE	RECHTE KOR
24	TR 0645		1	GUIDA CESTELLISX	COULISSE PANIER GAUCHE	LEFT BASKET GUIDE	LINKE KORBU
25	TR 2163		2	SQUADR. USCITA CESTELLI	EQUERRE SORTIE PANIER	BRACKET UNLOADING TRACK	AUSLAUF WIN

vsezip.ru

+7(812)987-08-81



LAVASTOVIGLIE A TRAINO TS2400SX - TS3700SX - TSA3700SX

DOPPI

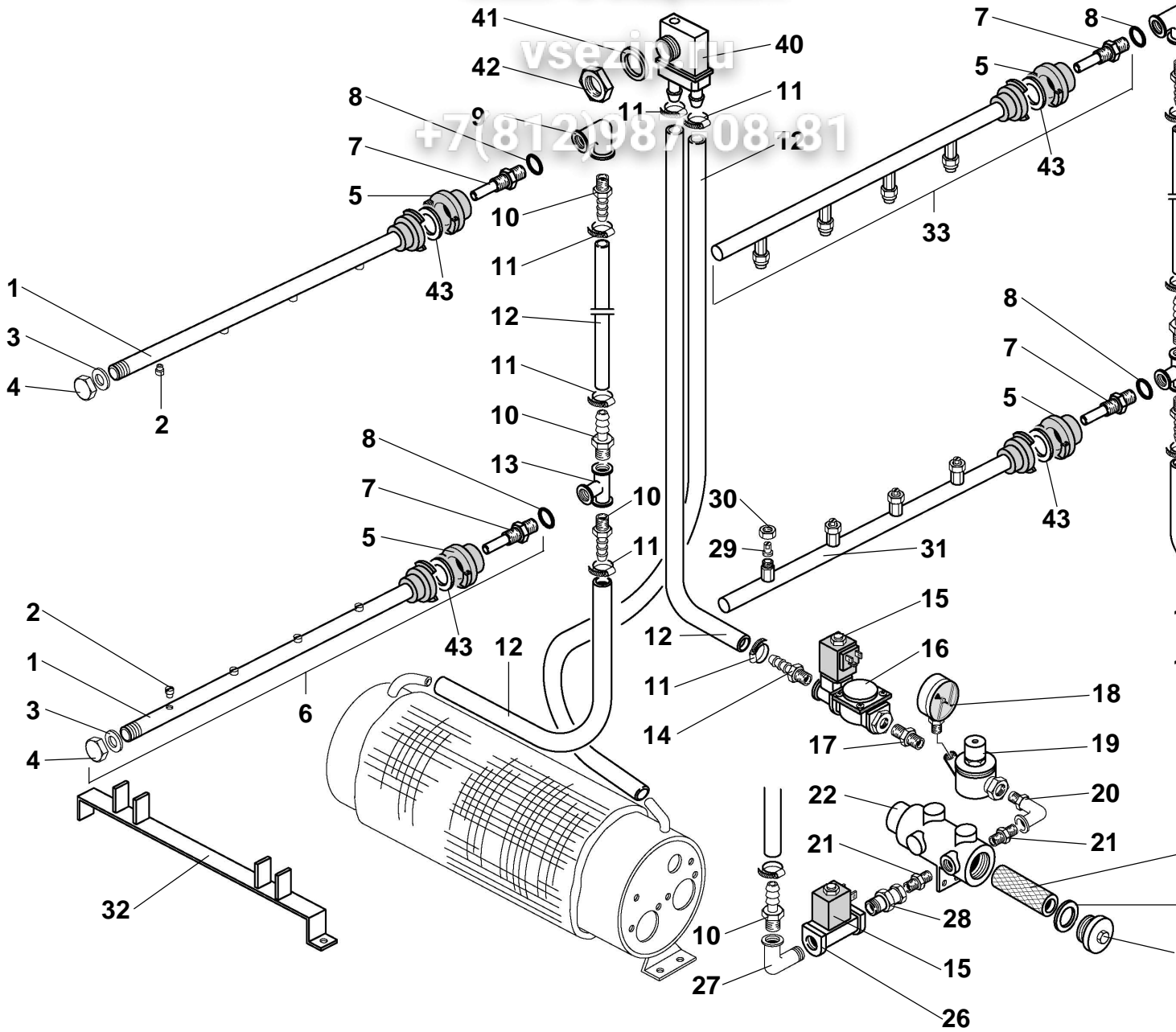
Pos	COD.	COD.	Q.TÀ	DESCRIZIONE	DENOMINATION	DESCRIPTION	BEZEICHNUNG
26	TR 2202		1	GUIDA FILTRO DX	COULISSE FILTRE DROITE	RIGHT FILTER GUIDE	RECHTE FILT
26	TR 2203		1	GUIDA FILTRO SX	COULISSE FILTRE GAUCHE	LEFT FILTER GUIDE	LINKE FILTE
27	TR 2017		1	FILTRO SUPERFICIE	FILTRE	FILTER	FILTER
28	TR 2204		1	TROPPO PIENO	NIVEAU	OVER FLOW	UBERLAUF
29	TR 1234		1	RACCORDO 1" ¼	RACCORD	PIPE FITTING	ABLAUFANS
30	904380		3	O-RING	O-RING	O-RING	O-RING
31	902080		3	GHIERA 1" ¼	VIROLE	LOCK NUT	NUT MUTTER
32	905191		1	PORTA BULBO	SIÈGE DE BULBE	SEATING BULB	KUGELSI T Z
33	903250		1	GUARNIZIONE	JOINT	GASKET	DICHTUNG
34	902110		1	GHIERA ½"	VIROLE	LOCK NUT	NUT MUTTER
35	905560		1	RESISTENZA 4500 W	RESISTANCE	HEATING ELEMENT	HEIZKÖRPER
36	907981		1	O-RING	O-RING	O-RING	O-RING
37	907252		1	TRAPPOLA ARIA	RESERVOIR AIR	AIR TRAP	LUFTFALLE
38	903260		1	GUARNIZIONE	JOINT	GASKET	DICHTUNG
39	902100		2	GHIERA 3/8"	VIROLE	LOCK NUT	NUT MUTTER
40	905450		1	RACCORDO 1" ¼	RACCORD	PIPE FITTING	ABLAUFANS
41	905380		1	RACCORDO ASPIRAZIONE	RACCORD	PIPE FITTING	ABLAUFANS
42	902580		1	FILTRO VASCA	FILTRE	FILTER	FILTER
43	902850		1	GHIERA FILTRO	VIROLE	LOCK NUT	NUT MUTTER
44	TR 1099		1	COPRIRESISTENZA	PROTECTION RESISTANCE	HEATING COVER	HEIZKÖRPER
45	TR 2144		1	SQUADRETTA TERMOSTATO	EQUERRE THERMOSTAT	THERMOSTAT BRACKET	WINKEL THE
46	907100		1	TERMOSTATO	THERMOSTAT	THERMOSTAT	THERMOSTA
47	903982		1	MANOPOLA	BOUTON	KNOB	KNOPF
48	907272		1	TUBO PRESSOSTATO	TUYAU PRESSOSTAT	PRESSURE SWITCH PIPE	SCHLAUCH
49	905270		1	PRESSOSTATO	PRESSOSTAT	PRESSURE SWITCH	DRUCHWAE
50	906399		1	SQUADRETTA PRESSOSTATO	EQUERRE PRESSOSTAT	PRESSURE SWITCH BRACKET	WINKEL DRU
51	TR 1071		1	SQUADRETTA REED	EQUERRE REED	REED BRACKET	WINKEL REE
52	TR 0309		1	REED MAGNETICO	REED	REED	REED

LAVASTOVIGLIE A TRAINO

TS2400 - TS3700 - TSA3700

TS1600 - TSA4600

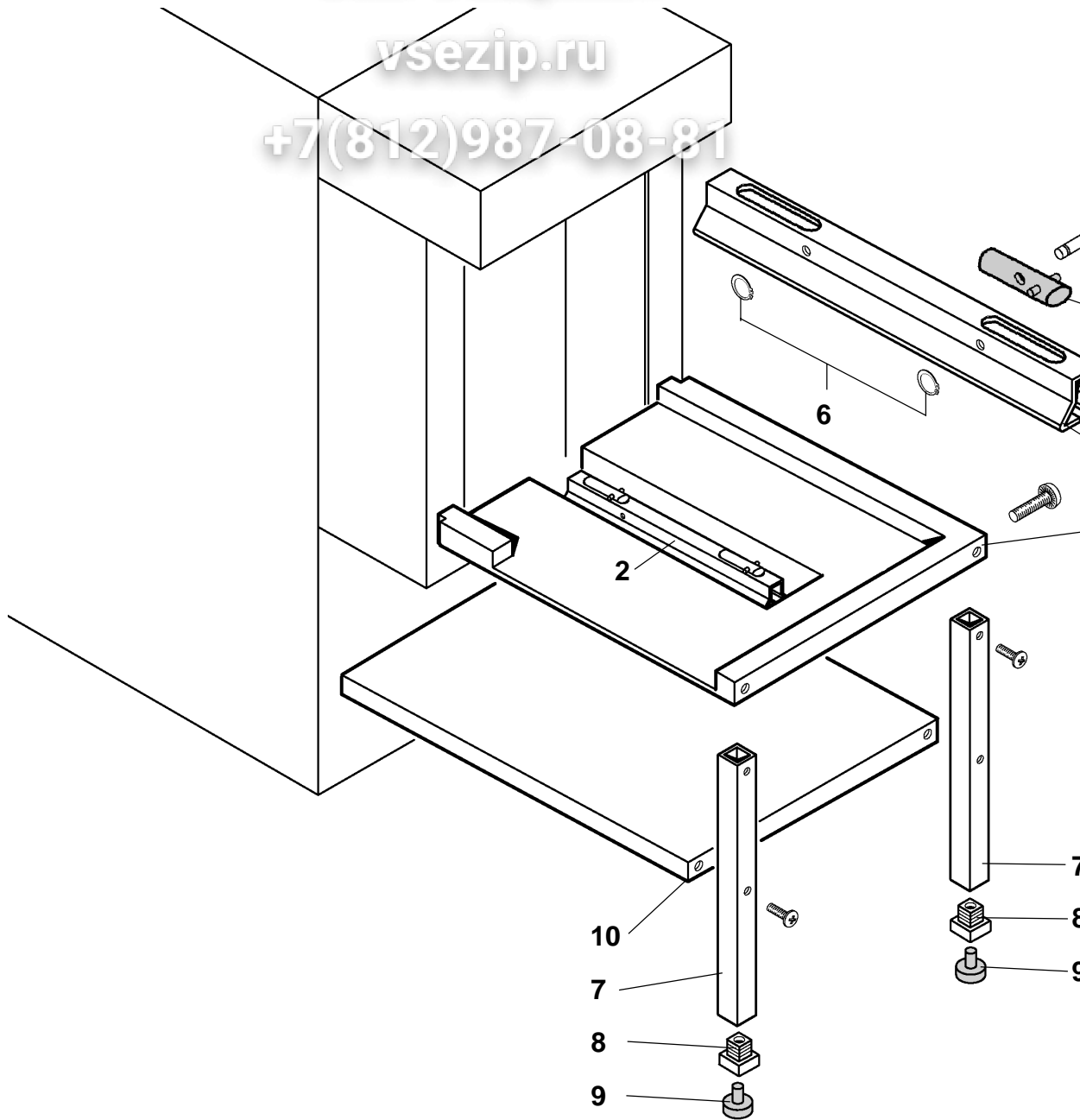
DOPPIO RISERVOIRIO



LAVASTOVIGLIE A TRAINO 06 месит MENSOLE CARICAMENTO ANGOLARE DX

vsezip.ru

+7(812)987-08-81

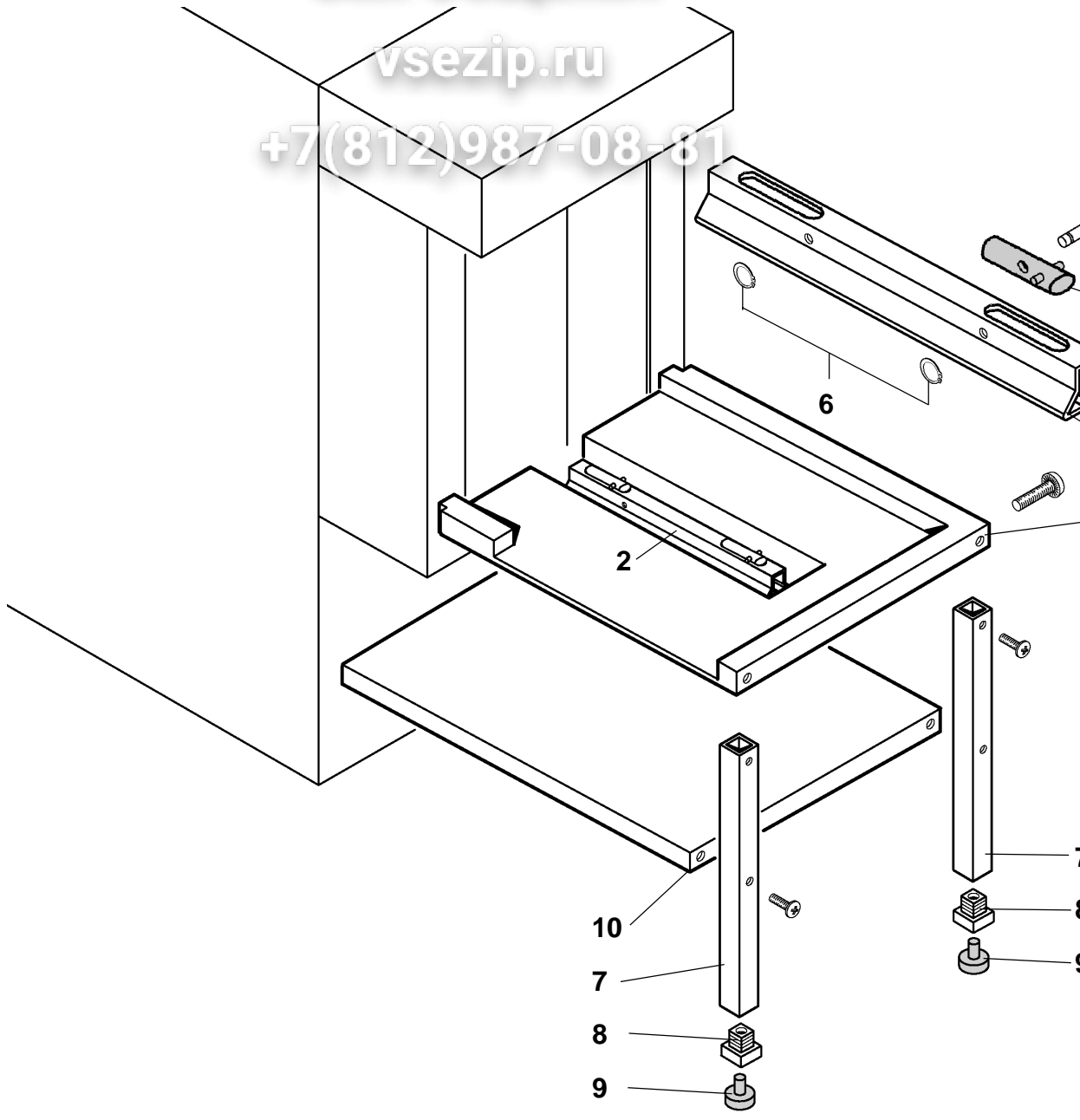


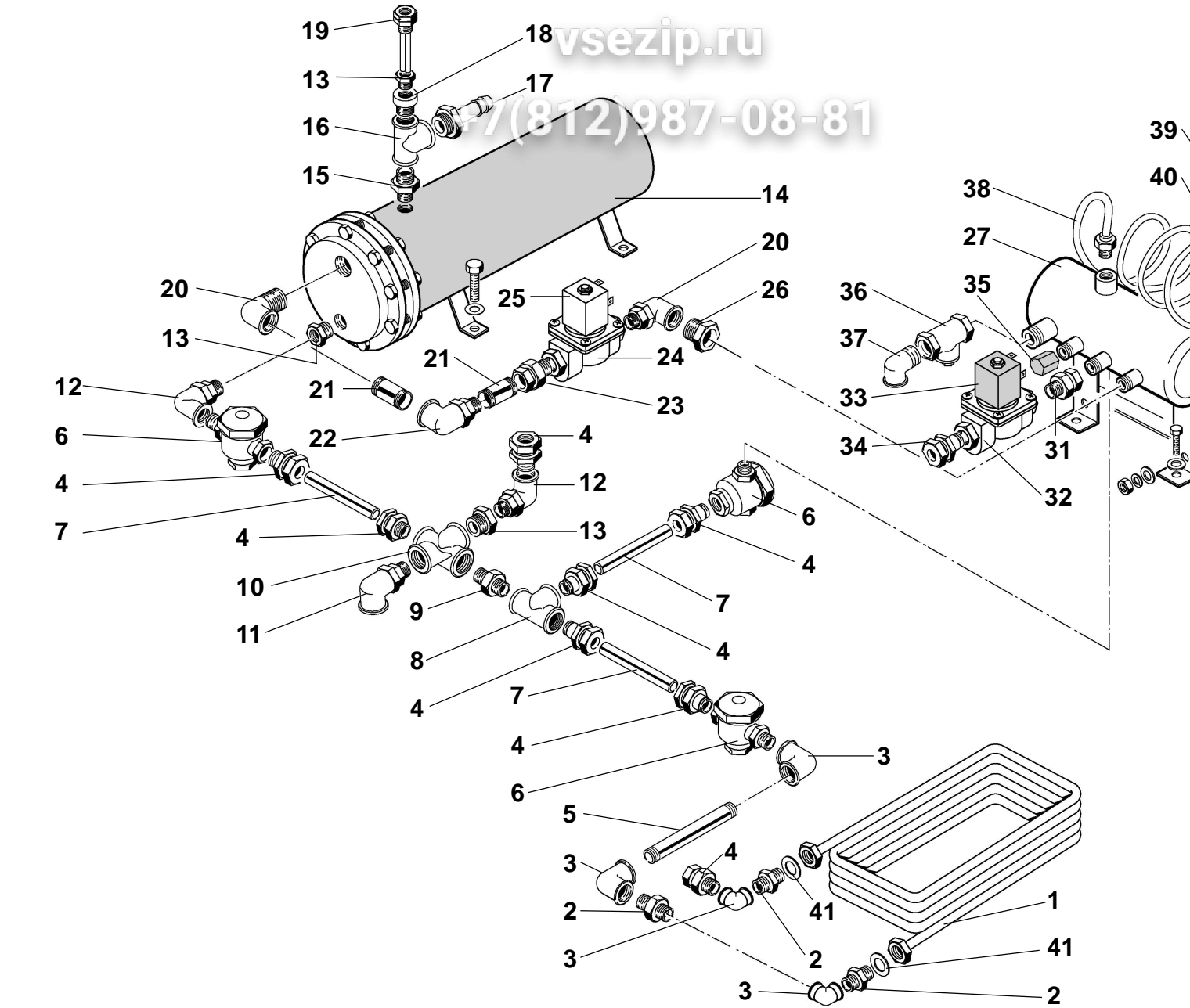
LAVASTOVIGLIE A TRAINO 60 cm SX

MENSOLA CARICAMENTO ANGOLARE SX

vsezip.ru

+7(812)987-08-81





LAVASTOVIGLIE A TRAINO

IMPIANTO VAPORE

Pos	COD.	COD.	Q.TÀ	DESCRIZIONE	DENOMINATION	DESCRIPTION	BEZEICHNUNG
1	TR 0466		1	SERPENTINA 9.000 CAL.	SERPENTIN VAPEUR	STEAM COIL	DAMPFSCHN
2	TR 2319		3	NIPPLLO ½"	NIPPLES	NIPPLE	NIPPLE
3	TR 2437		4	RACCORDO GOMITO ½"	RACCORD	PIPE FITTING	ANSCHLUSS
4	TR 2223		7	RACCORDO ½"	RACCORD	PIPE FITTING	ANSCHLUSS
5	952209		1	TUBO ZINCATO ½" - ½"	TUYAU	PIPE	ROHR
6	TR 0316		3	SCARICATORE CONDENSA	DESCHARGEUR CONDENSE	STEAM TRAP	KONDENSWA
7	952205		3	TUBORAME Ø 18	TUBE EN CUIVRE	COPPER PIPE	KUPFER ROH
8	TR 2402		1	RACCORDO TRE VIE ½"	RACCORD	PIPE FITTING	ANSCHLUSS
9	TR 2347		1	NIPPLORIDOTTO ¾" - ½"	NIPPLES	NIPPLE	NIPPLE
10	TR 2406		1	RACCORDO 4 VIE ¾"	RACCORD	PIPE FITTING	ANSCHLUSS
11	TR 2439		1	RACCORDO GOMITO ¾"	RACCORD	PIPE FITTING	ANSCHLUSS
12	TR 2420		2	RACCORDO GOMITO ½"	RACCORD	PIPE FITTING	ANSCHLUSS
13	TR 2366		3	RIDUZIONE ¾" - ½"	REDUCTION	REDUCTION	VERMINDER
14	TR 1080		1	BOILER 30.000 CAL.	SURCHAUFFEUR	BOILER	HEISSWASSE
15	TR 2316		1	NIPPLLO ¾"	NIPPLES	NIPPLE	NIPPLE
16	TR 2400		1	RACCORDO 3 VIE ¾"	RACCORD	PIPE FITTING	ANSCHLUSS
17	907890		1	RACCORDO PORTAGOMMA ¾"	RACCORD	PIPE FITTING	ANSCHLUSS
18	TR 2445		1	PROLUNGA ¾"	PROLUNGEMENT	EXTENSION CORD	LEITUNGEST
19	TR 0298		1	PORTABULBO	SIEGE DE BULBE	SEATING BULB	KUGELSITZ
20	TR 2330		2	BOCCHETTONE CURVO 1"	GOULOTTE	PIPE UNION	STUTZEN
21	952211		2	TUBO ZINCATO 1" - 1"	TUYAU	PIPE	ROHR
22	TR 2438		1	RACCORDO GOMITO 1"	RACCORD	PIPE FITTING	ANSCHLUSS
23	TR 2336		1	BOCCHETTONE DIRITTO 1"	GOULOTTE	PIPE UNION	STUTZEN
24	TR 0094		1	ELETTROVALVOLA 1"	ELECTROVANNE	ELECTRIC VALVE	ELEKTROVEN
25	TR 0104		1	BOBINA 24V	BOBINE	COIL	SPULE
26	TR 2367		1	RIDUZIONE 1" - ¾"	REDUCTION	REDUCTION	VERMINDER

vsezip.ru
7(812)987-08-81

