

I	LAVASTOVIGLIE A TRAINO
F	LAVEUSES À TUNNEL
GB	RACK CONVEYOR MACHINES
D	ZÜGSPÜLMASCHINEN
ES	LAVAVAJILLAS DE ARRASTRE



T 1400



SILANOS[®]
LAVASTOVIGLIE INDUSTRIALI

MANUALE PARTI DI RICAMBIO

CATALOGUES PIÉCES DETACHEES

SPARE PARTS MANUAL

ERSATZTEILEKATALOG

ED. 2006

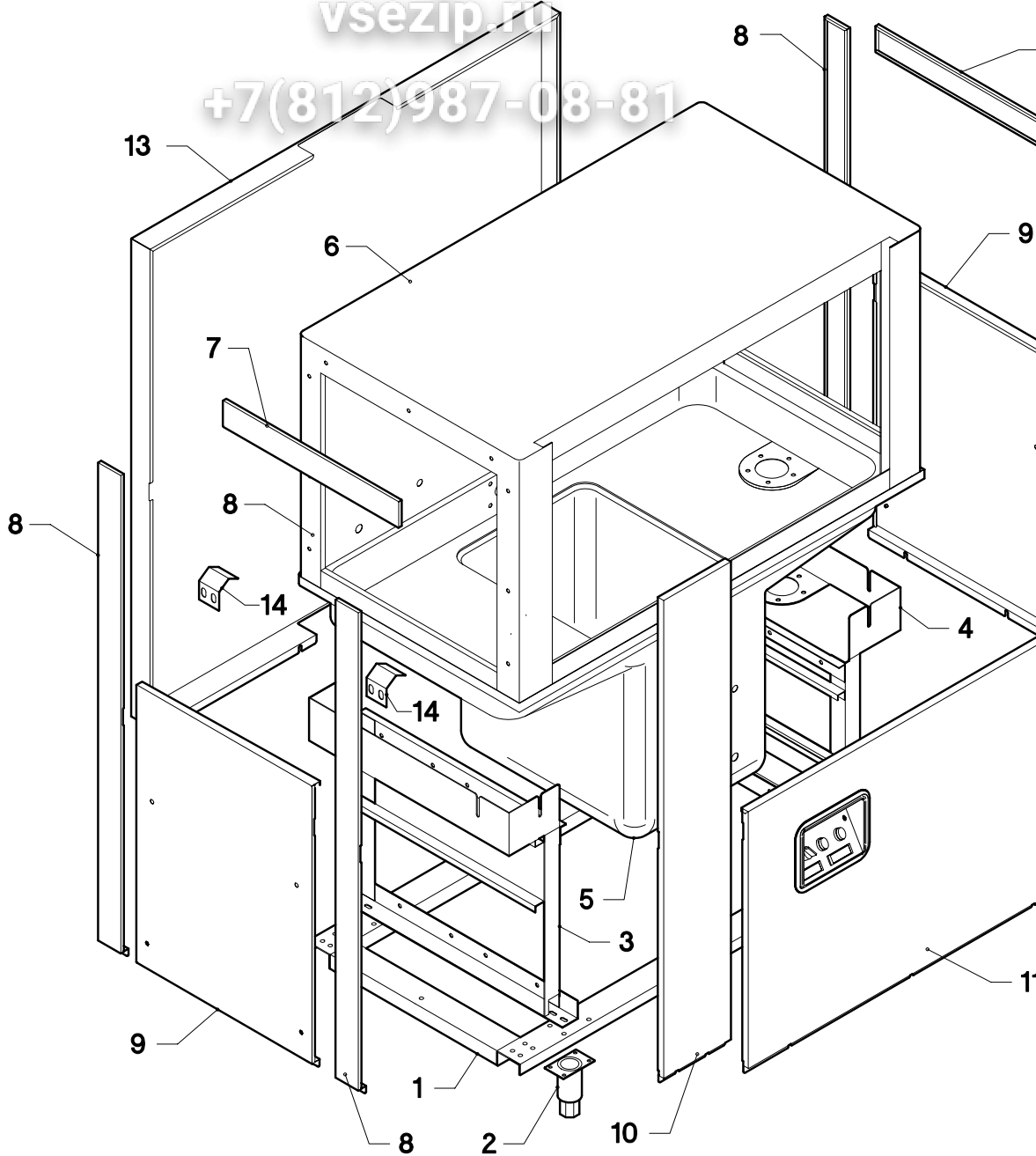
Cod. 501001 DX
Cod. 501002 SX

MANUAL PARTES DE REPUESTOS

LAVASTOVIGLIE A TRAINO ВСТР. С ДВ. ЦЕПИТ

vsezip.ru

+7(812)987-08-81



LAVASTOVIGLIE A TRAINO

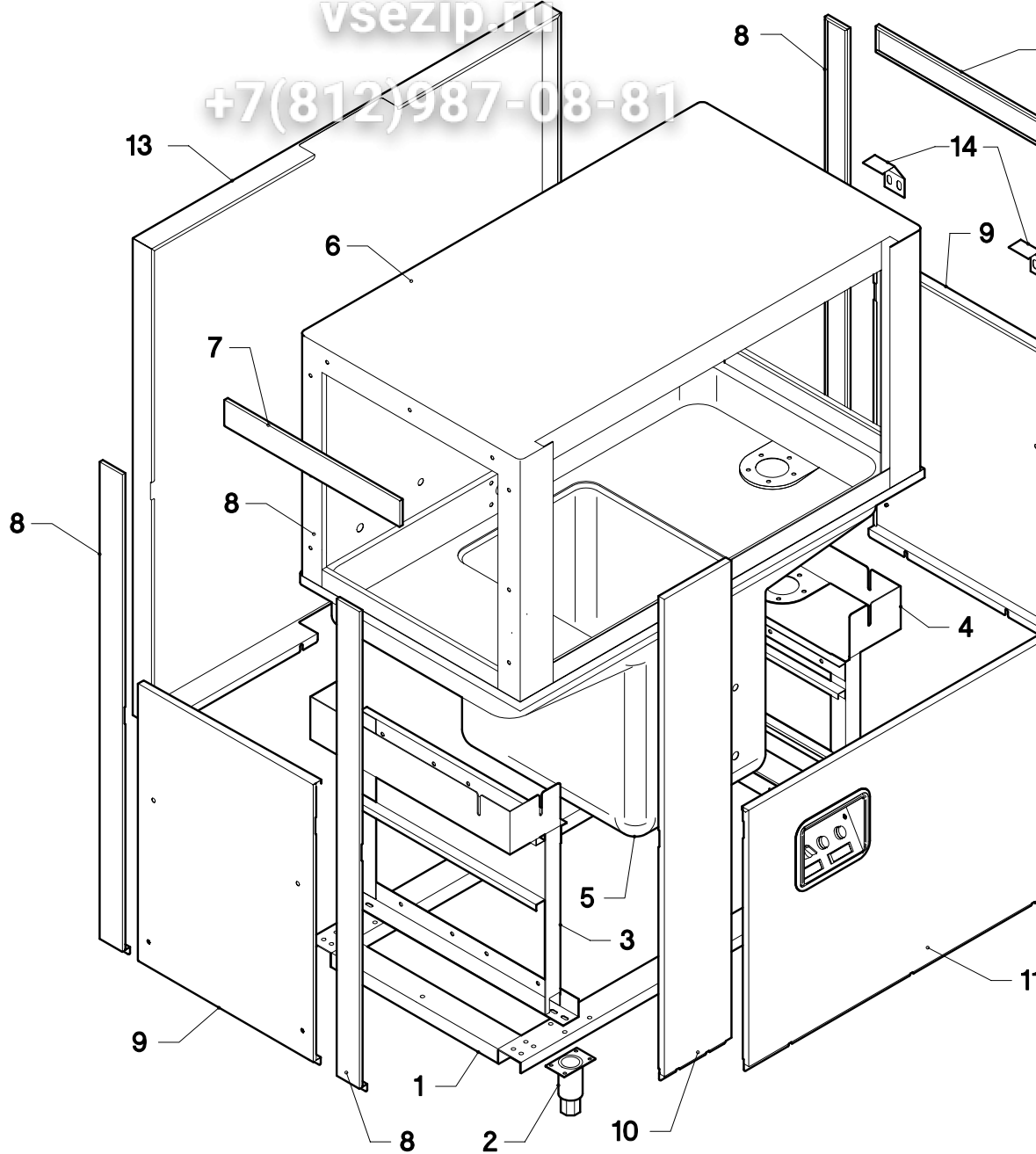
Pos.	COD.	Q.tà	DESCRIZIONE	DENOMINATION	DESCRIPTION	BEZEICHNUNG
1	TR3800	1	BASAMENTO	SOCLE	BASE	UNTERSTRUKTUR
2	TR0861	4	PIEDINO REGOLABILE	PETIT PIED RÉGABLE	RUBBER LEG	EINSTELLBARER BEIN
3	TR3757	1	SUPPORTO VASCA	SUPPORT CUVES	TANK SUPPORT	TANKHALTER
4	TR3804	1	SUPPORTO MOTORIDUTTORE	SUPPORT MOTOREDUCTEUR	SPEED REDUCER SUPPORT	GETRIEBEMONTAGE
5	TR3604	1	VASCA	BASSIN	TANK	WANNE
6	TR3830	1	CAPOTE	CAPOTE	HOOD	GEHAUSE
7	TR3736	2	PANNELLO SUPERIORE USCITA	PANNEAU SUPÉRIEUR SORTIE	UPPER PANEL OF THE EXIT	OBERER VERBODEN
8	TR3730	4	PANNELLO LATERALE USCITA	PANNEAU LATERAL SORTIE	LATERAL PANEL OF THE EXIT	SEITLICH VERBODEN
9	TR3732	2	PANNELLO INFERIORE USCITA	PANNEAU INFÉRIEUR SORTIE	LOWER PANEL OF THE EXIT	UNTERER VERBODEN
10	TR3726	1	PANNELLO FRONTALE SX	PANNEAU FRONTAL SORTIE	FRONTAL PANEL OF THE EXIT	FRONT VERBODEN
11	TR3755	1	PANNELLO INFERIORE	PANNEAU INFÉRIEUR	LOWER PANEL	UNTERER VERBODEN
12	TR3729	1	PANNELLO FRONTALE DX	PANNEAU FRONTAL DROITE	RIGHT FRONTAL PANEL	RECHTE FRONT VERBODEN
13	TR3753	1	PANNELLO POSTERIORE	PANNEAU POSTÉRIEUR	BACK PANEL	HINTERER VERBODEN
14	TR2163	2	SQUADRETTA USCITA CESTELLO	EQUERRE SORTIE PANIER	BRACKET UNLOADING	TRACKAUSLADUNG

LAVASTOVIGLIE A TRAINO

Витра Общепит

vsezip.ru

+7(812)987-08-81



LAVASTOVIGLIE A TRAINO

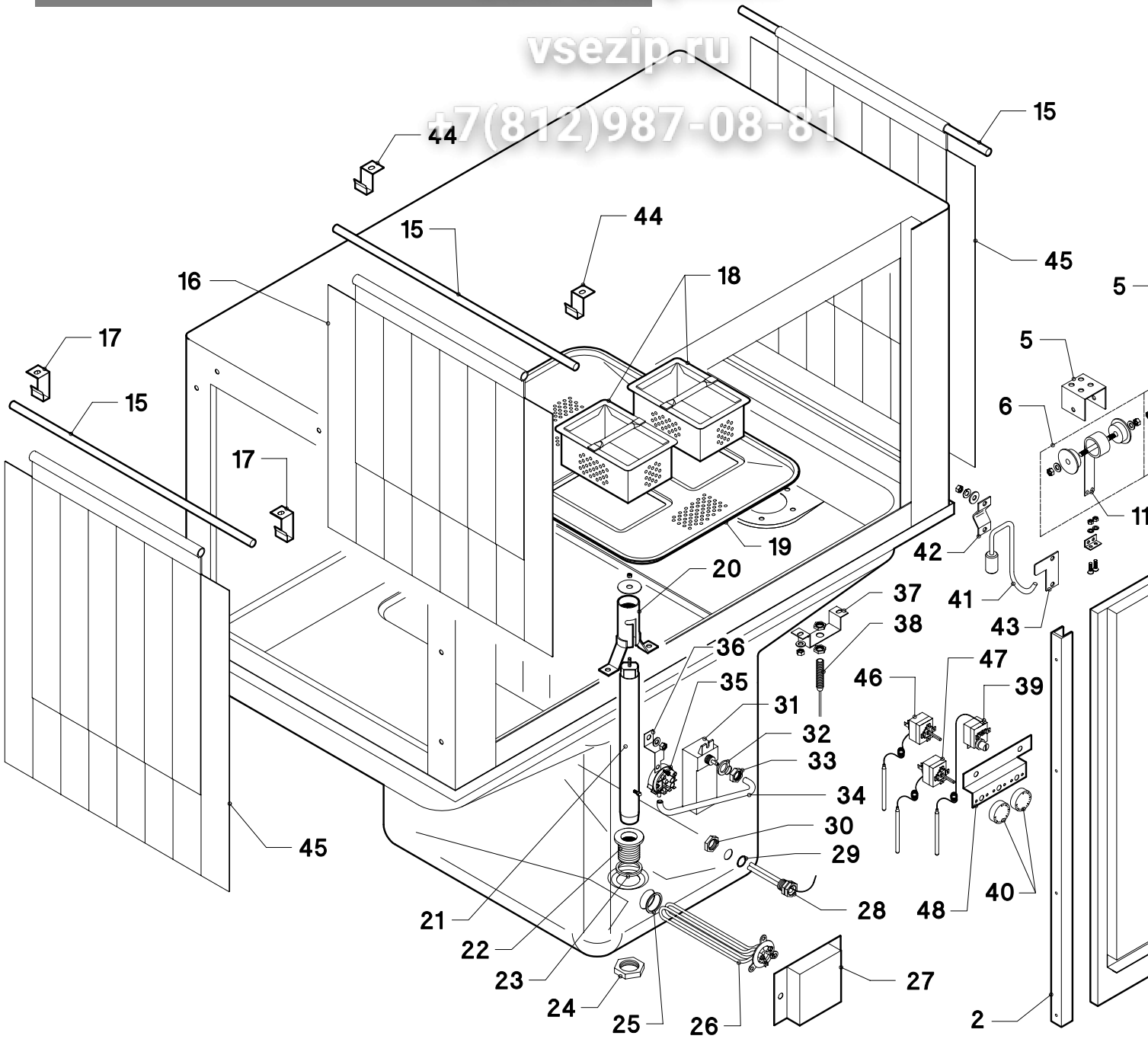
Pos.	COD.	Q.tà	DESCRIZIONE	DENOMINATION	DESCRIPTION	BEZEICHNUNG
1	TR3800	1	BASAMENTO	SOCLE	BASE	UNTERSTRUKTUR
2	TR0299	4	PIEDINO REGOLABILE	PETIT PIED RÉGABLE	RUBBER LEG	EINSTELLBARER BEIN
3	TR3757	1	SUPPORTO VASCA	SUPPORT CUVES	TANK SUPPORT	TANKHALTER
4	TR3804	1	SUPPORTO MOTORIDUTTORE	SUPPORT MOTOREDUCTEUR	SPEED REDUCER SUPPORT	GETRIEBEMONTAGE
5	TR3604	1	VASCA	BASSIN	TANK	WANNE
6	TR3830	1	CAPOTE	CAPOTE	HOOD	GEHAUSE
7	TR3736	2	PANNELLO SUPERIORE USCITA	PANNEAU SUPÉRIEUR SORTIE	UPPER PANEL OF THE EXIT	OBERER VERKLEBUNG
8	TR3730	4	PANNELLO LATERALE USCITA	PANNEAU LATERAL SORTIE	LATERAL PANEL OF THE EXIT	SEITLICH VERKLEBUNG
9	TR3732	2	PANNELLO INFERIORE USCITA	PANNEAU INFÉRIEUR SORTIE	LOWER PANEL OF THE EXIT	UNTERE VERKLEBUNG
10	TR3726	1	PANNELLO FRONTALE SX	PANNEAU FRONTAL SORTIE	FRONTAL PANEL OF THE EXIT	FRONT VERKLEBUNG
11	TR3755	1	PANNELLO INFERIORE	PANNEAU INFÉRIEUR	LOWER PANEL	UNTERE VERKLEBUNG
12	TR3729	1	PANNELLO FRONTALE DX	PANNEAU FRONTAL DROITE	RIGHT FRONTAL PANEL	RECHTE FRONT VERKLEBUNG
13	TR3753	1	PANNELLO POSTERIORE	PANNEAU POSTÉRIEUR	BACK PANEL	HINTERE VERKLEBUNG
14	TR2163	2	SQUADRETTA USCITA CESTELLO	EQUERRE SORTIE PANIER	BRACKET UNLOADING	TRACKAUSLADUNG

LAVASTOVIGLIE A TRAINO - IT1400

3-и общепит

vsezip.ru

+7(812)987-08-81



LAVASTOVIGLIE A TRAINO 3 in 1 1400

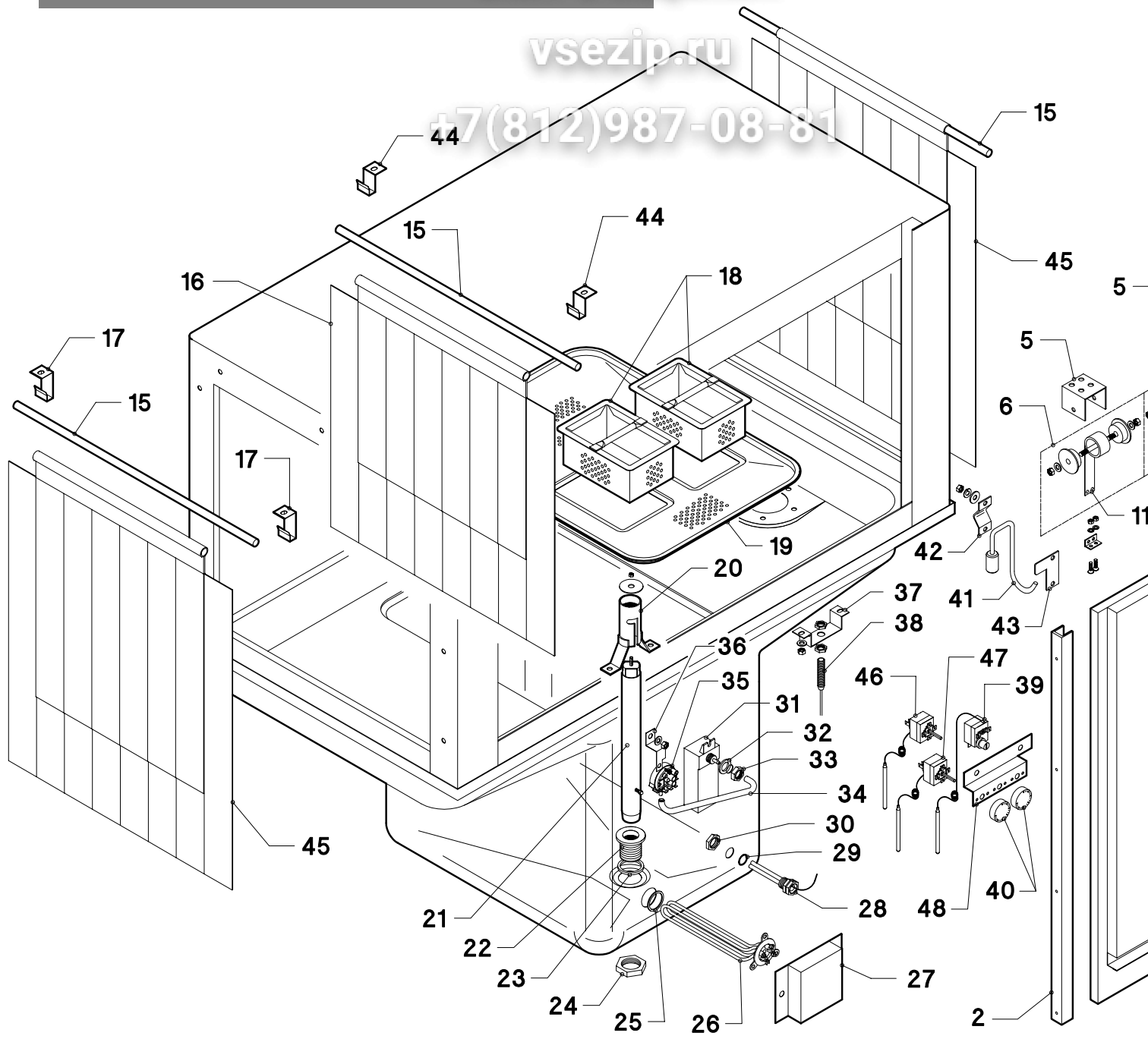
Pos.	COD.	Q.tà	DESCRIZIONE	DENOMINATION	DESCRIPTION	BEZEICHNUNG
1	TR3780	1	PORTA	PORTE	DOOR	TÜR
2	TR3781	2	GUIDA SCORRIMENTO	RAIL	GUIDE	FÜHRUNG
3	TR0220	1	CUSTODIA CON MAGNETE	PROTECTION MAGNETO	COVER MAGNET	MAGNETSCHUTZ
4	TR2185	1	FERMO PORTA	FERMETURE PORTE	DOOR SUPPORT	TÜR HALTERUNG
5	TR2008	4	SQUADR. FISSAGGIO MOLLA	EQUERRE POUR RESSORT	SPRING SUPPORT	FEDER TRÄGER
6	TR1865	2	SUPP. CON MOLLA PORTA COMPL.	SUPP. AVEC RESSORT PORTE COMPL.	SUPP. WITH DOOR SPRING COMPL.	TRÄGER MIT FEDER
7	TR1866	2	SUPP. CON MOLLA PORTA COMPL.	SUPP. AVEC RESSORT PORTE COMPL.	SUPP. WITH DOOR SPRING COMPL.	TRÄGER MIT FEDER
8	902019	8	DADO M8 AUTOBLOCCANTE	ECROU AUTO-BLOQUANT	SELF-LOCKING NUT	SELBSTSICHERNUT
9	906050	8	RONDELLA PIANA	RONDELLE	WASHER	UNTERLEGESCHIBE
10	TR0999	8	SUPP. SCORRIMENTO MOLLA	SUPPORT POUR RESSORT	SPRING SUPPORT	FEDER TRÄGER
11	TR1853	2	MOLLA KG.5,2	RESSORT	SPRING	FEDER
12	TR1854	2	MOLLA KG.2,95	RESSORT	SPRING	FEDER
13	956054	4	PERNO AGGANCIAMENTO MOLLA	PIVOT RESSORT	SPRING PIN	ZAPFEN FEDER
14	TR0607	4	AGGANCIAMENTO MOLLA	CROCHET RESSORT	SPRING HOOKING	KUPPLUNGFEEDER
15	TR2034	3	ALBERO PER TENDINA	ARBRE RIDEAU	CURTAIN ROD	HALTERUNG
16	TR0460	1	TENDINA	RIDEAU	CURTAIN	SPRITZSCHUTZ
17	TR2169	4	SQUADRETTA TENDINA	EQUERRE RIDEAU	CURTAIN BRACKET	WINKEL SPRITZSCHUTZ
18	906704	2	FILTRO A CASSETTO	TIROIR FILTRE	DRAWER FILTER	FACH-FILTER
19	TR3602	1	FILTRO VASCA	FILTRE BASSIN	TANK FILTER	FILTER WANN
20	TR0464	1	GUIDA TROPPOPIENO	COULISSE NIVEAU	OVER FLOW GUIDE	ÜBERLAUFROHR
21	TR1114	1	TROPPO PIENO	NIVEAU	OVER FLOW	ÜBERLAUF
22	TR1234	1	RACCORDO 1" ¼	RACCORD	PIPE FITTING	ANSCHLUSSSTÜCK
23	904380	1	O-RING	O-RING	O-RING	O-RING
24	902080	1	GHIERA 1" ¼	VIROLE	LOCK NUT	NUT MUTTER
25	907981	1	O-RING	O-RING	O-RING	O-RING
26	TR0335	1	RESISTENZA 8000W	RESISTANCE	HEATING ELEMENT	HEIZKÖRPER
27	TR1037	1	COPRIRESISTENZA	PROTECTION RESISTANCE	HEATING COVER	HEIZKÖRPER
28	TR0298	1	PORTABULBO	SIEGE DE BULBE	SEATING BULB	KUGEL SITZ
29	903250	1	GUARNIZIONE 1/2"	JOINT	GASKET	DICHTUNG
30	902110	1	GHIERA 1/2"	VIROLE	LOCK NUT	NUT MUTTER
31	TR0268	1	TRAPPOLA ARIA	RESERVOIR AIR	AIR TRAP	LUFTFALLE
32	903260	1	GUARNIZIONE	JOINT	GASKET	DICHTUNG
33	902100	1	DADO 3/8"	ECROU	NUT	MUTTER
34	907272	1	TUBO PRESSOSTATO	TUYAU PRESSOSTAT	PRESSURE SWITCH PIPE	SCHLAUCH

LAVASTOVIGLIE A TRAINO - ИТ1400

3-и общепит

vsezip.ru

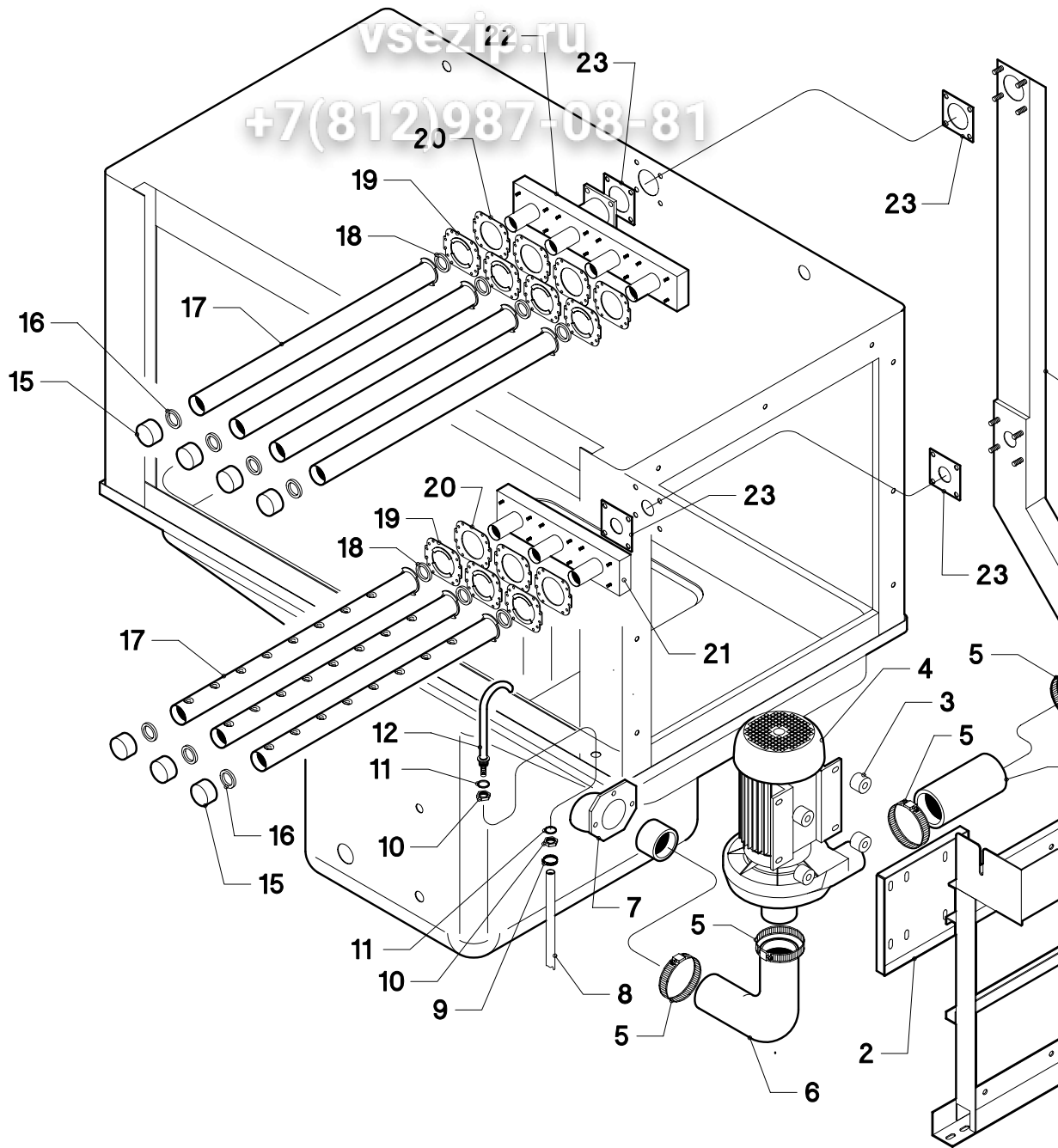
+7(812)987-08-81



LAVASTOVIGLIE A TRAINO - 1400

Pos.	COD.	Q.tà	DESCRIZIONE	DENOMINAZIONE	DESCRIPTION	BEZEICHNUNG
35	905292	1	PRESSOSTATO	PRESSOSTAT	PRESSURE SWITCH	DRUCHWAEC
36	906399	1	SQUADRETTA PRESSOSTATO	EQUERRE PRESSOSTAT	PRESSURE SWITCH BRACKET	WINKEL DRU
37	TR1071	1	SQUADRETTA REED	EQUERRE REED	REED BRACKET	WINKEL REED
38	TR0309	1	REED MAGNETICO	REED	REED	REED
39	907125	1	TERMOSTATO DI SICUREZZA	THERMOSTAT	THERMOSTAT	THERMOSTAT
40	903982	2	MANOPOLA	BOUTON	KNOB	KNOPF
41	TR3435	1	SICUREZZA PORTA	SÉCURITÉ PORTE	DOOR SAFETY	SICHERHEITS
42	TR3436	1	SQUADRETTA SICUREZZA PORTA	EQUERRE SÉCURITÉ PORTE	DOOR SAFETY BRACKET	WINKEL SICH
43	TR3437	1	PIASTRA X SICUREZZA PORTA	PLAQUE SÉCURITÉ PORTE	DOOR SAFETY PLATE	SICHERHEITS
44	TR2162	2	SQUADRETTA TENDINA	EQUERRE RIDEAU	CURTAIN BRACKET	WINKEL SPRI
45	TR0470	2	TENDINA	RIDEAU	CURTAIN	SPRITZSCHU
46	907110	1	TERMOSTATO BOILER	THERMOSTAT	THERMOSTAT	THERMOSTAT
47	907100	1	TERMOSTATO	THERMOSTAT	THERMOSTAT	THERMOSTAT
48	TR3371	1	SQUADRETTA TERMOSTATI	EQUERRE THERMOSTAT	THERMOSTAT BRACKET	WINKEL THER
49	TR3786	1	CONTROPORTA	CONTRE-PORTE	SECOND DOOR	GEAGENTÜR

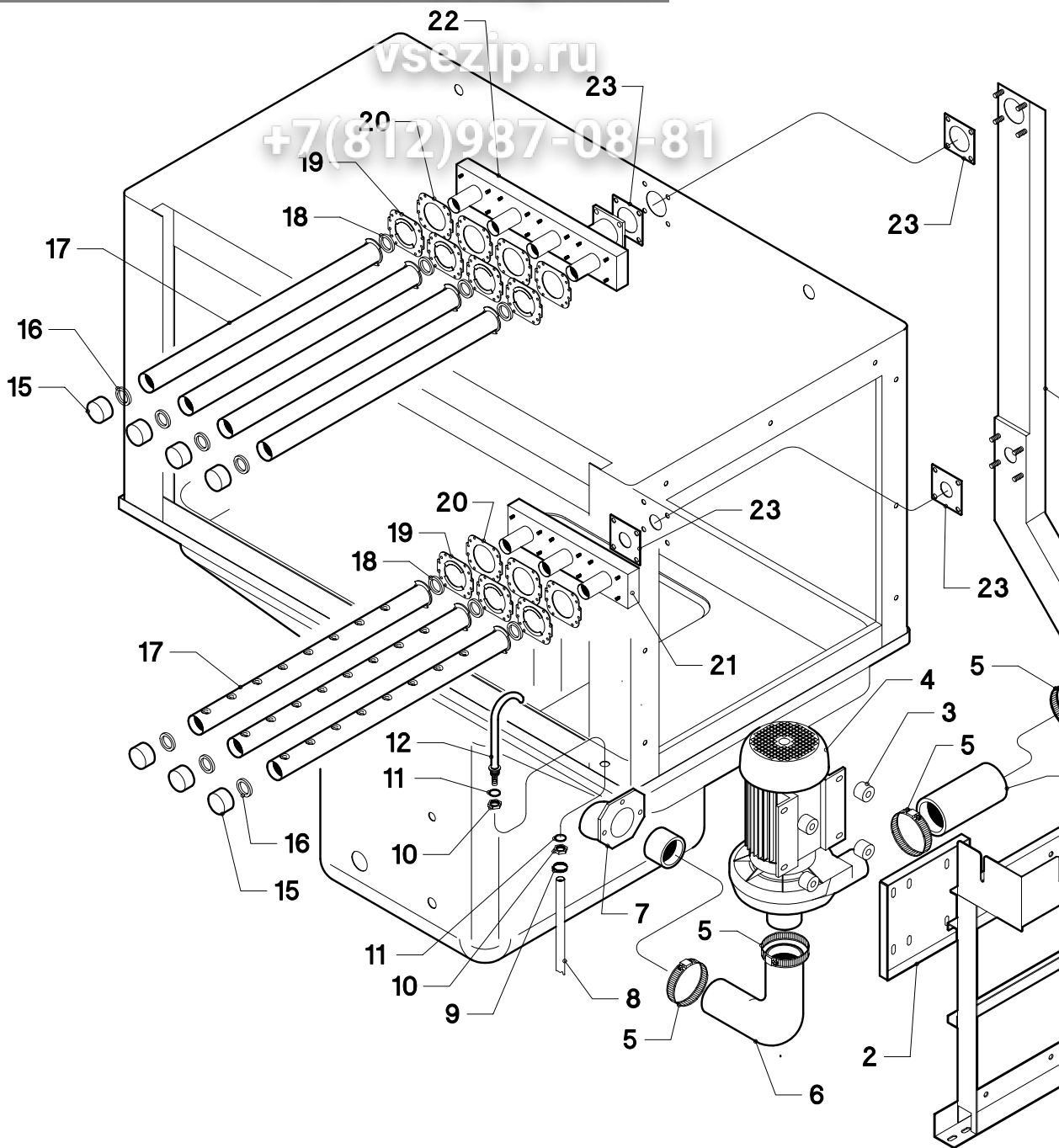
LAVASTOVIGLIE A TRAINO - LAVACCIO ENT. DX



LAVASTOVIGLIE A TRAINO - LAVACCIENTI DXT

Pos.	COD.	Q.tà	DESCRIZIONE	DENOMINATION	DESCRIPTION	BEZEICHNUNG
1	TR3804	1	SUPPORTO MOTORIDUTTORE	SUPPORT MOTOREDUCTEUR	SPEED REDUCER SUPPORT	GETRIEBEMOTOR
2	TR0630	1	SUPPORTO POMPA	SUPPORT POMPE	PUMP SUPPORT	PUMPE TRÄGER
3	905015	4	AMMORTIZZATORI	AMORTISSEURS	SHOCK ABSORBERS	STOSSDÄMPFER
4	TR0060	1	POMPA 1,35 KW	POMPE	PUMP	PUMPE
5	902490	4	FASCETTA Ø 58÷75	COLLIER	CLAMP	SHELLE
6	903701	1	MANICOTTO	MANCHON	SLEEVE	MUFFE
7	TR0977	1	RACCORDO ASPIRAZIONE	RACCORD D'ASPIRATION	INTAKE PIPE FITTING	ANSAUGANSCHLUSSE
8	907350	1	TUBO GOMMA 12x22	TUYAU EN CAOUTCHOUC	RUBBER HOSE	GUMMISCHLAUCHE
9	902450	1	FASCETTA Ø 12÷24	COLLIER	CLAMP	SHELLE
10	902100	2	DADO 3/8"	ECROU	NUT	MUTTER
11	904330	2	O-RING	O-RING	O-RING	O-RING
12	TR1019	1	PIPA CARICO VASCA	TUYAU ALIM. CUVE	TANK LOADING PIPE	TANK FÜLLUNG
13	TR1867	1	COLONNA LAVAGGIO	COLONNE DE LAVAGE	WASHING PIPE	SPÜLUNG SAULE
14	TR0476	1	MANICOTTO MANDATA	MANCHON DE REFAULEM.	OUTLET ELBOW	AUSLAMUFFE
15	TR3230	7	TAPPO	BOUCHON	PLUG	PROPFEN
16	TR2051	7	GUARNIZIONE	JOINT	GASKET	DICHTUNG
17	TR3652	7	BRACCIO LAVAGGIO	BRAS DE LAVAGE	WASHING ARM	WASCHLAUF
18	903404	7	GUARNIZIONE	JOINT	GASKET	DICHTUNG
19	TR2091	7	CONTROFLANGIA	CONTRE-BRIDE	FLANGE COUPLING	GEGENFLANSCH
20	TR2090	7	FLANGIA	FLASQUE	FLANGE	FLANSCH
21	TR0726	1	TUBO LAVAGGIO INFERIORE	TUYAU DE LAVAGE INF	LOWER WASHING PIPE	UNTERER SPÜL
22	TR0713	1	TUBO LAVAGGIO SUPERIORE	TUYAU DE LAVAGE SUP.	UPPER WASHING PIPE	OBERER SPÜL
23	903381	4	GUARNIZIONE	JOINT	GASKET	DICHTUNG

LAVASTOVIGLIE A TRAINO LAVAGGIO ENI SIX



LAVASTOVIGLIE A TRAINO - LAVAGGIANTI

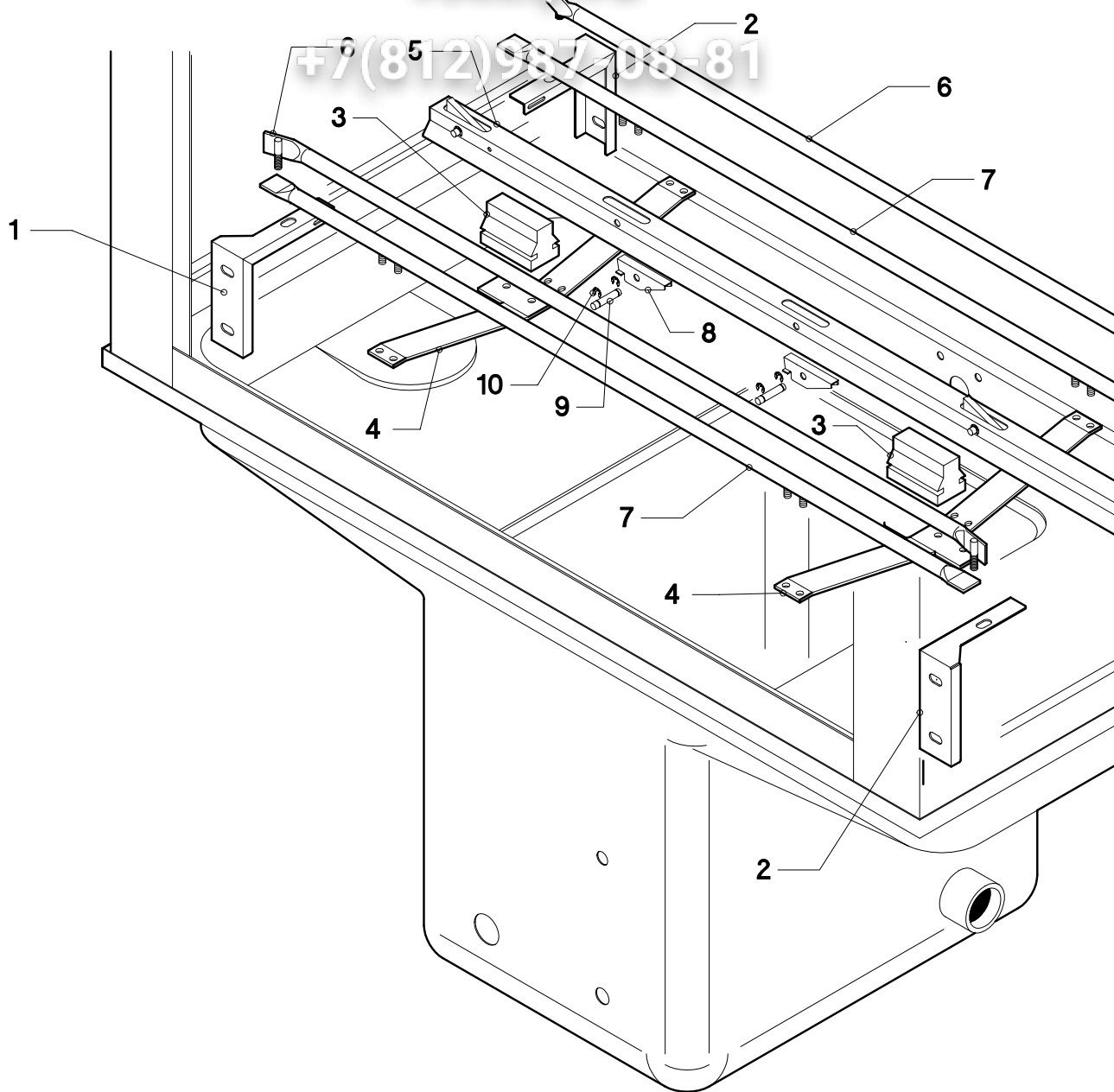
Pos.	COD.	Q.tà	DESCRIZIONE	DENOMINATION	DESCRIPTION	BEZEICHNUNG
1	TR3804	1	SUPPORTO MOTORIDUTTORE	SUPPORT MOTOREDUCTEUR	SPEED REDUCER SUPPORT	GETRIEBEMOTOR
2	TR0630	1	SUPPORTO POMPA	SUPPORT POMPE	PUMP SUPPORT	PUMPE TRÄGER
3	905015	4	AMMORTIZZATORI	AMORTISSEURS	SHOCK ABSORBERS	STOSSDÄMPFER
4	TR0060	1	POMPA 1,35 KW	POMPE	PUMP	PUMPE
5	902490	4	FASCETTA Ø 58÷75	COLLIER	CLAMP	SHELLE
6	903701	1	MANICOTTO	MANCHON	SLEEVE	MUFFE
7	TR0977	1	RACCORDO ASPIRAZIONE	RACCORD D'ASPIRATION	INTAKE PIPE FITTING	ANSAUGANSCHLUSS
8	907350	1	TUBO GOMMA 12x22	TUYAU EN CAOUTCHOUC	RUBBER HOSE	GUMMISCHLAUCHE
9	902450	1	FASCETTA Ø 12÷24	COLLIER	CLAMP	SHELLE
10	902100	2	DADO 3/8"	ECROU	NUT	MUTTER
11	904330	2	O-RING	O-RING	O-RING	O-RING
12	TR1019	1	PIPA CARICO VASCA	TUYAU ALIM. CUVE	TANK LOADING PIPE	TANK FÜLLUNG
13	TR1867	1	COLONNA LAVAGGIO	COLONNE DE LAVAGE	WASHING PIPE	SPÜLUNG SAULE
14	TR0476	1	MANICOTTO MANDATA	MANCHON DE REFAULEM.	OUTLET ELBOW	AUSLAMUFFE
15	TR3230	7	TAPPO	BOUCHON	PLUG	PROPFEN
16	TR2051	7	GUARNIZIONE	JOINT	GASKET	DICHTUNG
17	TR3652	7	BRACCIO LAVAGGIO	BRAS DE LAVAGE	WASHING ARM	WASCHLAUF
18	903404	7	GUARNIZIONE	JOINT	GASKET	DICHTUNG
19	TR2091	7	CONTROFLANGIA	CONTRE-BRIDE	FLANGE COUPLING	GEGENFLANSCH
20	TR2090	7	FLANGIA	FLASQUE	FLANGE	FLANSCH
21	TR0726	1	TUBO LAVAGGIO INFERIORE	TUYAU DE LAVAGE INF	LOWER WASHING PIPE	UNTERER SPÜL
22	TR0713	1	TUBO LAVAGGIO SUPERIORE	TUYAU DE LAVAGE SUP.	UPPER WASHING PIPE	OBERER SPÜL
23	903381	4	GUARNIZIONE	JOINT	GASKET	DICHTUNG

LAVASTOVIGLIE A TRAINO

3 шт. 06 типит

vsezip.ru

+7(812)987-08-81



LAVASTOVIGLIE A TRAINO

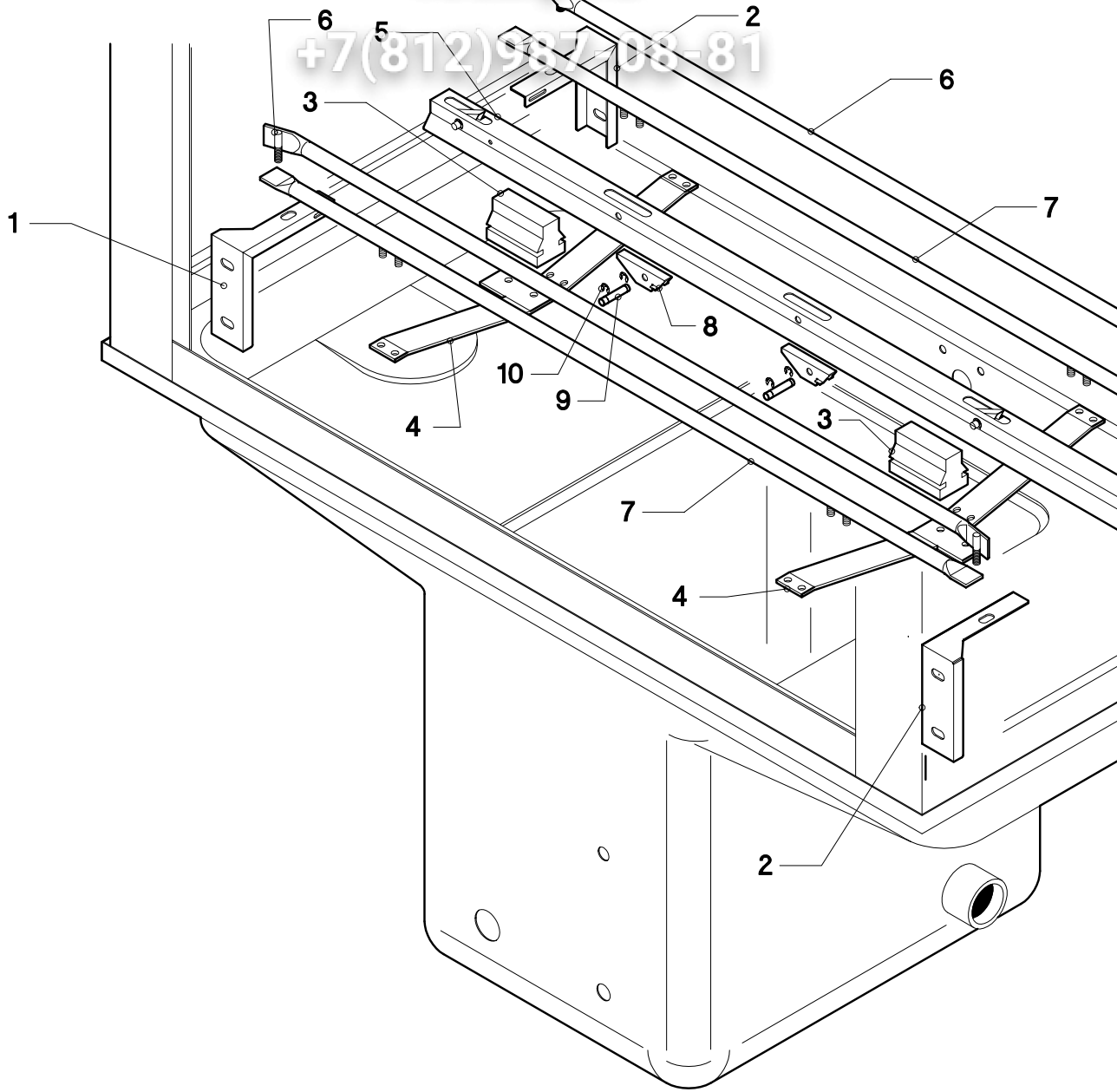
<i>Pos.</i>	<i>COD.</i>	<i>Q.tà</i>	<i>DESCRIZIONE</i>	<i>DENOMINATION</i>	<i>DESCRIPTION</i>	<i>BEZEICHNUNG</i>
1	TR1900	2	SUPPORTO GUIDA CEST. DX	SUPPORT COULISSE	SUPPORT GUIDE	FÜHRUNG HA
2	TR1901	2	SUPPORTO GUIDA CEST. SX	SUPPORT COULISSE	SUPPORT GUIDE	FÜHRUNG HA
3	TR0357	2	SUPPORTO GUIDA	SUPPORT COULISSE	FRICITION PAD	GLEITSTUCK
4	TR3681	2	SOSTEGNO GUIDA	SUPPORT RAIL	SUPPORT GUIDE	FÜHRUNG HA
5	TR3472	1	GUIDA SALTARELLI	RAIL SAUTERELLE	PAWL BAR	ZENTRALE M
6	TR3441	2	GUIDA CESTELLO LATERALE	COULISSE LATERAL PANIER	LATERAL BASKET GUIDE	SEITLICH KOR
7	TR3449	2	GUIDA CESTELLO INFERIORE	COULISSE INFERIEUR PANIER	LOWER BASKET GUIDE	UNTERE KOR
8	TR3351	5	SALTARELLO	SAUTERELLE	PAWL	NOCHE
9	TR2129	5	PERNO	AXE	PIN	STIFT
10	TR0321	10	SEEGER	SEEGER	SEEGER	SEEGERSICH

LAVASTOVIGLIE A TRAINO

Вит 06000000

vsezip.ru

+7(812)987-08-81



LAVASTOVIGLIE A TRAINO GUIDE E TIRANTI

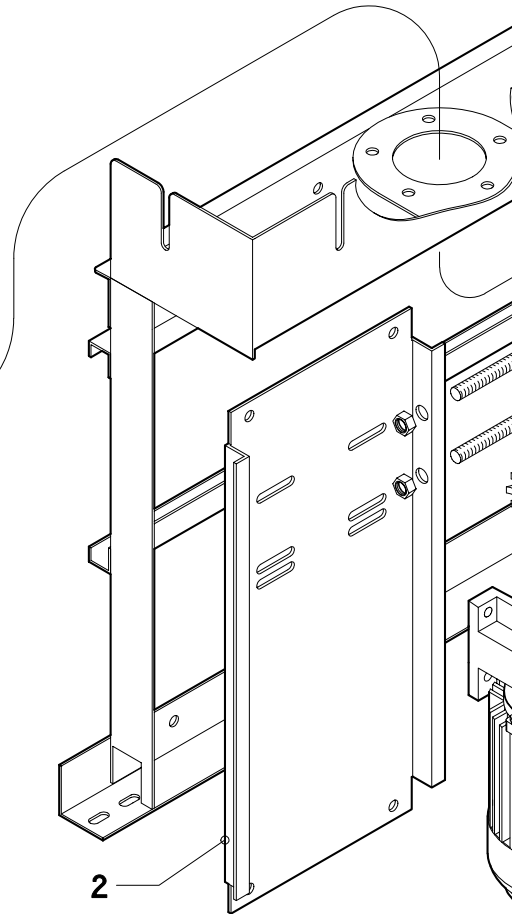
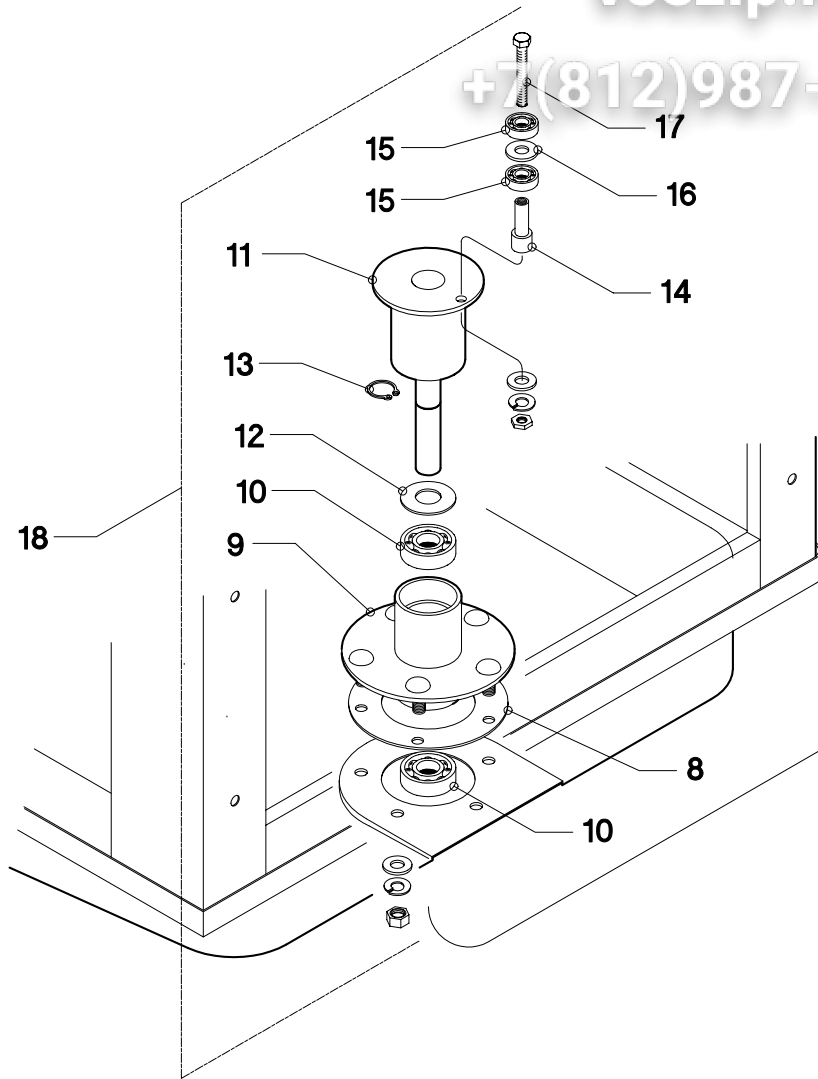
<i>Pos.</i>	<i>COD.</i>	<i>Q.tà</i>	<i>DESCRIZIONE</i>	<i>DENOMINAZIONE</i>	<i>DESCRIPTION</i>	<i>BEZEICHNUNG</i>
1	TR1900	2	SUPPORTO GUIDA CEST. DX	SUPPORT COULISSE	SUPPORT GUIDE	FÜHRUNG HA
2	TR1901	2	SUPPORTO GUIDA CEST. SX	SUPPORT COULISSE	SUPPORT GUIDE	FÜHRUNG HA
3	TR0357	2	SUPPORTO GUIDA	SUPPORT COULISSE	FRICITION PAD	GLEITSTUCK
4	TR3681	2	SOSTEGNO GUIDA	SUPPORT RAIL	SUPPORT GUIDE	FÜHRUNG HA
5	TR3472	1	GUIDA SALTARELLI	RAIL SAUTERELLE	PAWL BAR	ZENTRALE M
6	TR3441	2	GUIDA CESTELLO LATERALE	COULISSE LATERAL PANIER	LATERAL BASKET GUIDE	SEITLICH KO
7	TR3449	2	GUIDA CESTELLO INFERIORE	COULISSE INFERIEUR PANIER	LOWER BASKET GUIDE	UNTERE KOR
8	TR3351	5	SALTARELLO	SAUTERELLE	PAWL	NOCHE
9	TR2129	5	PERNO	AXE	PIN	STIFT
10	TR0321	10	SEEGER	SEEGER	SEEGER	SEEGERSICH

LAVASTOVIGLIE A TRAINO - TRAINO

Вит Общепит

vsezip.ru

+7(812)987-08-81

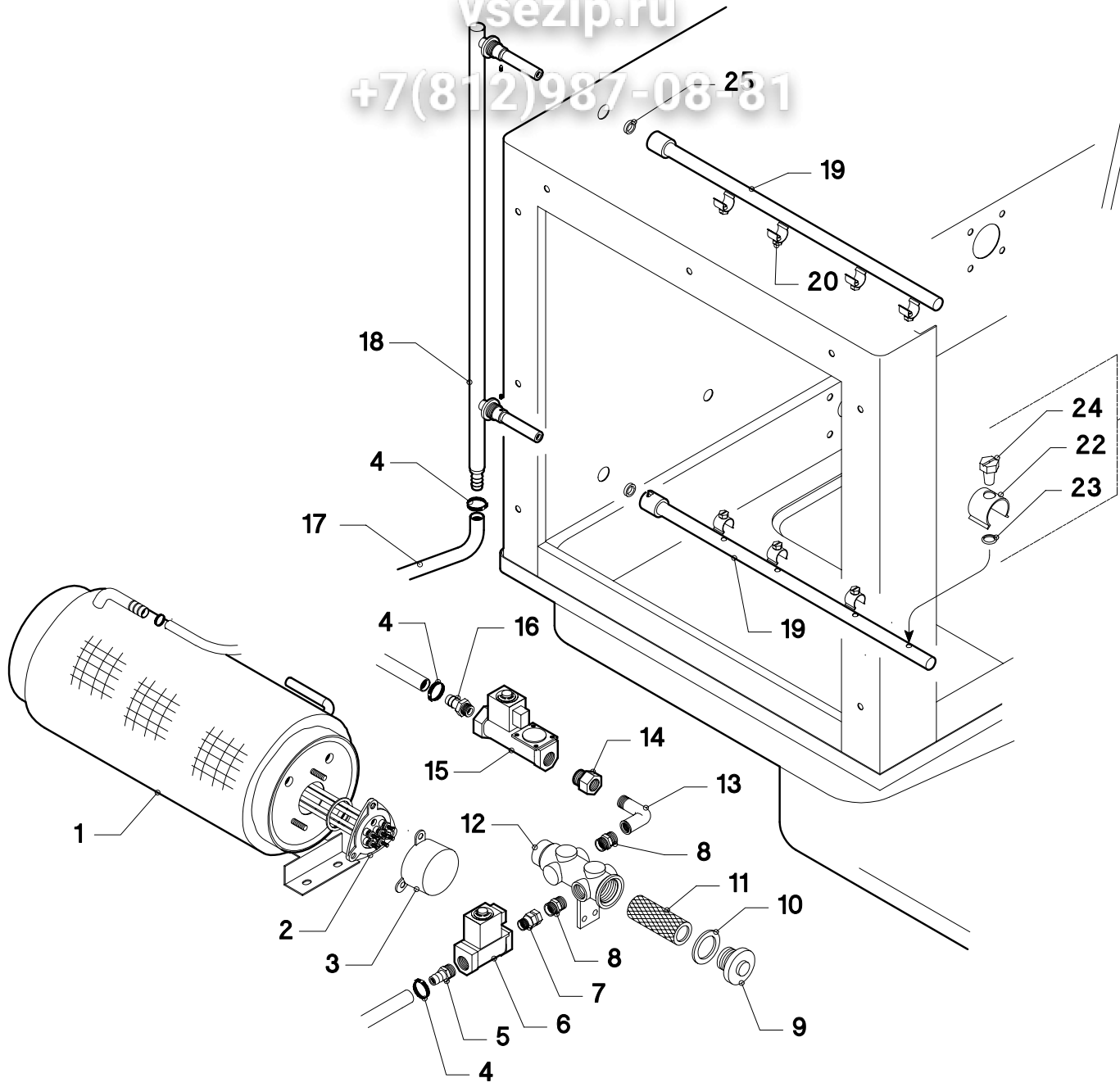


LAVASTOVIGLIE A TRAINO

Pos.	COD.	Q.tà	DESCRIZIONE	DENOMINATION	DESCRIPTION	BEZEICHNUNG
1	TR3804	1	SUPPORTO MOTORIDUTTORE	SUPPORT MOTEURREDUCTEUR	SPEED REDUCER SUPPORT	GETRIEBEMO
2	TR3812	1	PIASTRA MOTORIDUTTORE	PLAQUE MOTOREDUCTEUR	SPEED REDUCER PLATE	GETRIEBEMO
3	TR0250	1	MOTORIDUTTORE 1 VELOCITÀ	MOTEURREDUCTEUR - 08-8	SPEED REDUCER	GETRIEBEMO
4	TR0512	1	PIGNONE Z14	PIGNON	SPROCKET	RITZEL
5	TR0241	1	LIMITATORE DI COPPIA	LIMITATEUR DE COUPLE	CLUTCH	KUPPLUNG
6	TR0158	1	CORONA Z22	COURONNE	SPROCKET	ZAHNRAD
7	TR0025	1	CATENA	CHAINE	CHAIN	KETTE
8	TR0199	1	GUARNIZIONE MOZZO	JOINT	GASKET	DICHTUNG
9	TR1872	1	MOZZO	MOYEU	HUB	NABE
10	TR0049	2	CUSCINETTO	ROULEMENT	BALL BEARING	KUGELLAGER
11	TR1873	1	MANOVELLA TRAINO	MANIVELLE	CRANK	EXZENTER
12	TR0005	1	ANELLO TENUTA	BAGUE ÉTANCHÉITE	SEAL	O-RING
13	TR2049	1	SEEGER	SEEGER	SEEGER	SEEGERSCHE
14	TR2060	1	PERNO PER CUSCINETTO	AXE	PIN	STIFT
15	TR0050	2	CUSCINETTO	ROULEMENT	BALL BEARING	KUGELLAGER
16	TR2050	1	RONDELLA	RONDELLE	WASHER	UNTERLEGSCH
17	907840	1	VITE	VIS	SCREW	SCHRAUBE
18	TR1871	1	GRUPPO TRAINO	AVANCEMENT	DRIVE EXCENTER	EXZENTER
19	TR1045	1	CHIAVETTA 6x6x25	GOUPILLE	KEY	PASSFEDER

LAVASTOVIGLIE A TRAINO

vsezip.ru
+7(812)987-08281



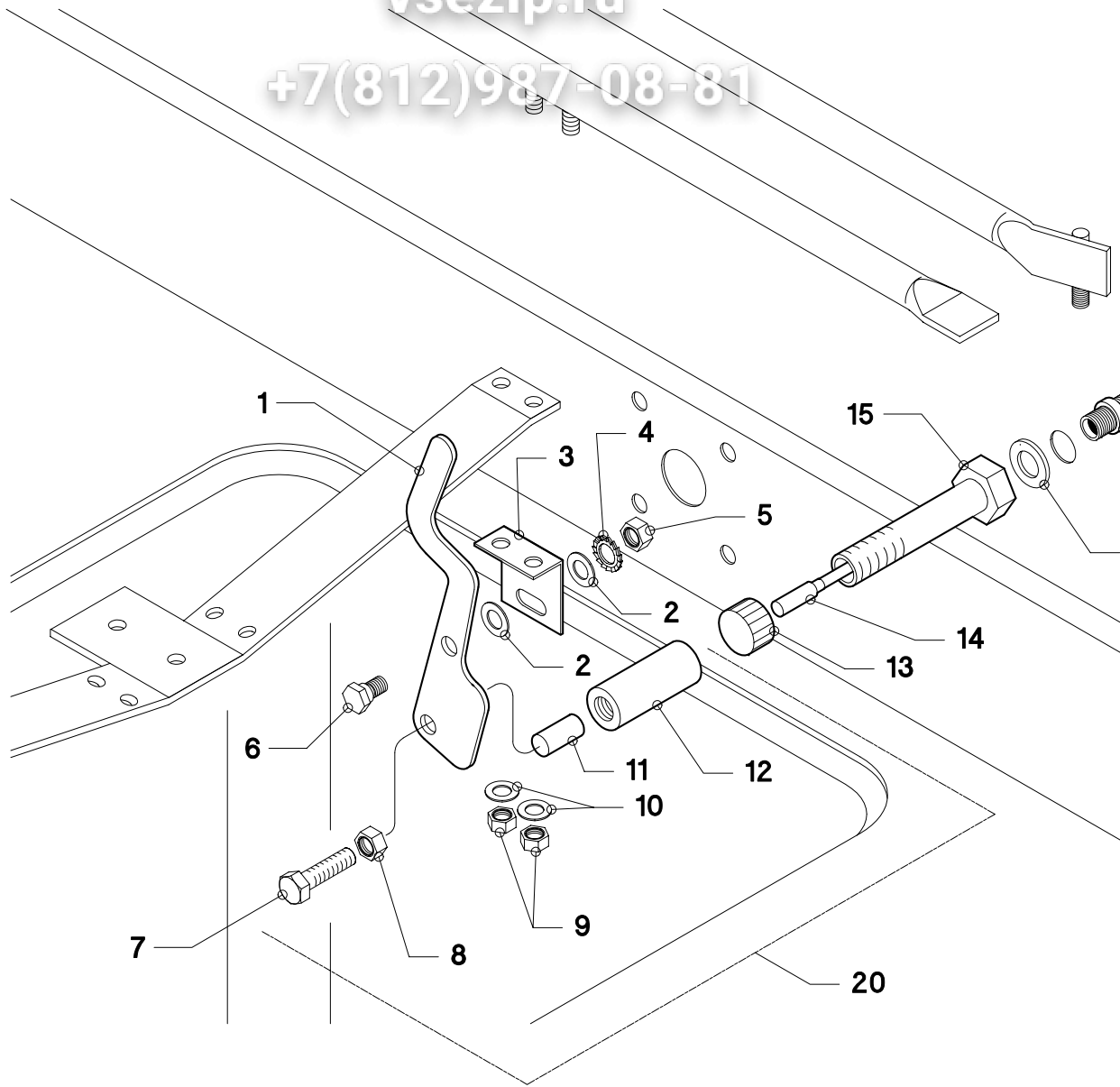
LAVASTOVIGLIE A TRAINO **3** РИСКАЧУО **06** ЦЕПИТ

Pos.	COD.	Q.tà	DESCRIZIONE	DENOMINATION	DESCRIPTION	BEZEICHNUNG
1	TR0035	1	BOILER	CHAUFFE EAU	BOILER	HEISSWASSE
2	TR0331	1	RESISTENZA 14KW	RESISTANCE	HEATING ELEMENT	HEIZKÖRPER
3	901812	1	COPRIRESISTENZA	PROTECTION RESISTANCE	HEATING COVER	HEIZKÖRPER
4	902450	3	FASCETTA Ø 12÷24	COLLIER	CLAMP	SCHELLE
5	TR2375	1	RACCORDO PORTAGOMMA ½"	RACCORD	PIPE FITTING	ANSCHLUSSE
6	TR0091	1	ELETTROVALVOLA ½"	SOUPAPE ELECTRIQUE	ELECTRIC VALVE	ELEKTROVEN
7	TR2335	1	BOCCHETTONE DIRITTO ½"	GOULOTTE	PIPE UNION	STUTZEN
8	TR2322	2	NIPPLO ½"	NIPPLES	NIPPLE	NIPPLE
9	TR2382	1	TAPPO	BOUCHON	PLUG	PROPFEN
10	903406	1	GUARNIZIONE	JOINT	GASKET	DICHTUNG
11	TR0123	1	FILTRO A CARTUCCIA	FILTRE	FILTER	FILTER
12	TR0126	2	FILTRO 2 VIE	FILTRE	FILTER	FILTER
13	TR2333	1	BOCCHETTONE CURVO ½"	GOULOTTE	PIPE UNION	STUTZEN
14	TR2366	1	RIDUZIONE ¾" - ½"	REDUCTION	REDUCTION	VERMINDERU
15	TR0090	1	ELETTROVALVOLA ¾"	SOUPAPE ELECTRIQUE	ELECTRIC VALVE	ELEKTROVEN
16	907890	1	RACCORDO PORTAGOMMA ¾"	RACCORD	PIPE FITTING	ANSCHLUSSE
17	907350		TUBO GOMMA 12x22	TUYAU EN CAOUTCHOUC	RUBBER HOSE	GUMMISCHLA
18	TR0582	1	COLONNA RISCIAQUO	COLONNE DE RINÇAGE	RINSE PIPE	SPÜLUNG SA
19	TR3671	2	BRACCIO RISCIAQUO SUP./INF.	BRAS RINÇAGE SUP./INF.	UPPER/LOWER RINSE ARM	OBERER/UNT
20	TR3350	8	ASSIEME UGELLO	BUSE COMPLETE	COMPLETE SPRAYING NOZZLE	KOMPLETTE
21	907460	1	VALVOLA ANTIRITORNO	VALVE	VALVE	VENTIL
22	959810	8	COLLARE GETTO RISCIAQUO	COLLIER JET DE RINÇAGE	RINSE JET COLLAR	SPÜLEN-STR.
23	904388	8	O-RING	O-RING	O-RING	O-RING
24	TR0009	8	UGELLO	BUSE	SPRAYING NOZZLE	SPRITZDÜSE
25	TR1340	1	GUARNIZIONE	JOINT	GASKET	DICHTUNG

LAVASTOVIGLIE A TRAINO - ECONOMIZZATORE

vsezip.ru

+7(812)987-08-81



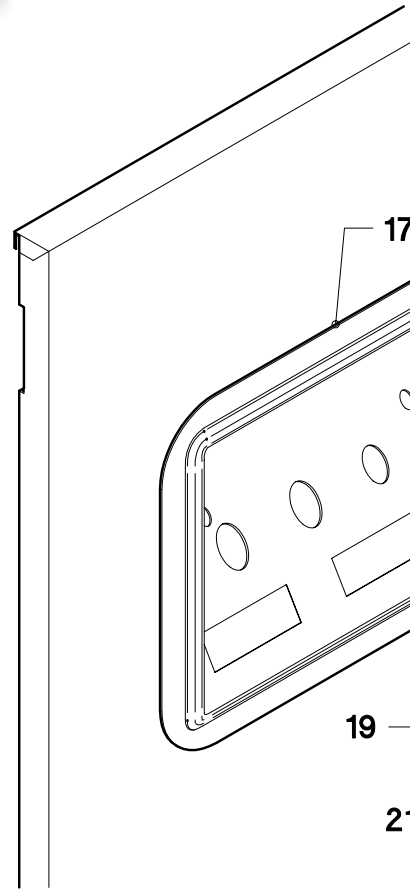
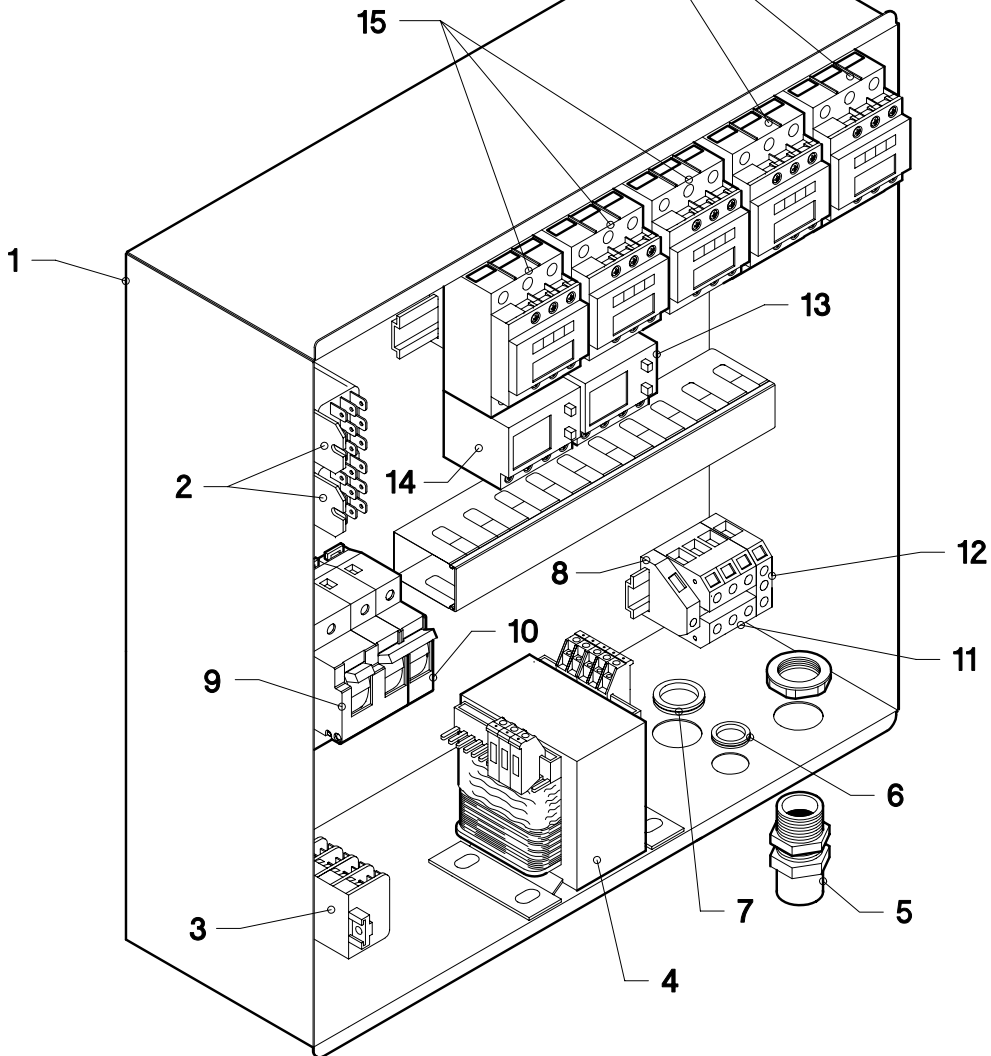
LAVASTOVIGLIE A TRAINO - ECONOMICIZZATORE

Pos.	COD.	Q.tà	DESCRIZIONE	DENOMINATION	DESCRIPTION	BEZEICHNUNG
1	TR3566	1	LEVA ECONOMICIZZATORE	LEVIER ECONOMICISEUR	ACTUATOR	SPARSCHALT
2	905940	2	RONDELLA GROWER Ø8	RONDELLE	WASHER	UNTERLEGSCH
3	TR1904	1	SUPPORTO ECONOMICIZZATORE	EQUERRE ECONOMICISEUR	ECONOMISER BRACKET	WINKEL SPAR
4	905890	1	RONDELLA Ø8 DENTATA	RONDELLE	WASHER	UNTERLEGSCH
5	902020	1	DADO M8	ECROU	NUT	MUTTER
6	904771	1	PERNO SNODO	AXE	PIN	STIFT
7	907845	1	VITE T.E. M10x45	VIS	SCREW	SCHRAUBE
8	902022	1	DADO M10	ECROU	NUT	MUTTER
9	902010	2	DADO M6	ECROU	NUT	MUTTER
10	905930	2	RONDELLA GROWER Ø6	RONDELLE	WASHER	UNTERLEGSCH
11	TR0249	1	MAGNETE REED	REED	REED	REED
12	TR1212	1	CUSTODIA MAGNETE	PROTECTION MAGNETO	COVER MAGNET	MAGNETSCH
13	906453	1	TAPPO	BOUCHON	PLUG	PROPFFEN
14	TR0309	1	REED MAGNETICO	REED	REED	REED
15	TR0600	1	CUSTODIA REED	PROTECTION REED	REED COVER	REEDSCHUTZ
16	903410	1	GUARNIZIONE	JOINT	GASKET	DICHTUNG
17	TR3370	1	RACCORDO 3/8" GAS	RACCORD	PIPE FITTING	ABLAUFANSC
18	904330	1	O-RING	O-RING	O-RING	O-RING
19	902100	1	DADO 3/8"	ECROU	NUT	MUTTER
20	TR3595	1	ECONOMICIZZATORE	ECONOMICISEUR	ECONOMISER	SPARSCHALT

LAVASTOVIGLIE A TRAINO CASSETTA ELETTRICA

vsezip.ru

+7(812)987-08-81



LAVASTOVIGLIE A TRAINO CASSETTA ELETTRICA

Pos.	COD.	Q.tà	DESCRIZIONE	DENOMINATION	DESCRIPTION	BEZEICHNUNG
1	TR3658	1	CASSETTA ELETTRICA	BOÎTE ÉLECTRIQUE	CABINET	SCHALTKASTEN
2	TR0300	2	RELÉ 24V	RELAIS	RELAY	RELAIS
3	955068	1	MORSETTO PA80	BORNE	TERMINAL	KLEMMLEISTE
4	TR0420	1	TRASFORMATORE 250A	TRANSFORMATEUR	TRANSFORMER	TRANSFORMAT
5	TR0139	1	PRESSACAPO PG. 21	FIXAGE DU CABLE D'ALIM.	FIXING CABLE	KABELBEFESTI
6	904720	1	PASSACAPO	CHAUMARD	FAIRLEAD	KABELDURCHG
7	904721	1	PASSACAPO	CHAUMARD	FAIRLEAD	KABELDURCHG
8	TR0334	1	FERMA MORSETTO	ARRÊTÉE BORNE	TERMINAL BLOCK	KLEMMENBLOC
9	TR0222	1	INTERRUTTORE BIPOLARE 4A	INTERRUPTEUR 4A	SWITCH	DRUKKNOPF
10	TR0219	1	INTERRUTTORE UNIPOLARE 10A	INTERRUPTEUR 10A	SWITCH	DRUKKNOPF
11	TR0255	1	MORSETTO 35mm	BORNE	TERMINAL	KLEMMLEISTE
12	TR0257	1	MORSETTO TERRA	BORNE	TERMINAL	KLEMMLEISTE
13	TR0393	1	TERMICA 2,5/4 A	TERMIQUE	OVERLOAD RELAY	THERMOAUSL
14	TR0390	1	TERMICA 0,63/1 A	TERMIQUE	OVERLOAD RELAY	THERMOAUSL
15	907041	3	TELERUTTORE 9A	TELERUPTEUR	CONTACTOR	SCHUTZ
16	TR0373	2	TELERUTTORE 18A	TELERUPTEUR	CONTACTOR	SCHUTZ
17	955649	1	RETROTARGA	PLAQUETTE	PLATE	SCHILD
18	906737	1	TARGA	PLAQUETTE	PLATE	SCHILD
19	903631	1	LAMPADA SPIA ARANCIO	LAMPE	LAMP	KONTROLLAMP
20	903634	1	LAMPADA SPIA VERDE	LAMPE	LAMP	KONTROLLAMP
21	TR0310	1	SELETTORE 0 - 1	SELECTEUR 0 - 1	SELECTOR 0 - 1	WAHLSCHALTE
22	TR0287	1	PULSANTE LUMINOSO ROSSO	BOUTON ROUGE	RED PUSH BUTTON	ROT DRUCKTA
23	TR0284	1	PULSANTE VERDE	BOUTON VERTE	GREEN PUSH BUTTON	GRUNE DRUCK
24	907090	2	TERMOMETRO MECCANICO	THERMOMETRE MECANIQUE	MECHANICAL THERMOMETER	MECHANISCHER