

Modular Platform

Viale Treviso, 15
33170 Pordenone - Italy
Fax: +39 0434-380577

PNC	Model	Ref.	Page	Notes
200313	KMV/G 2C	a	1-2	GAS MULTICOOKER COMPOUND BOTTOM 22L
200314	KMV/E 2C	b	3	ELECTRIC MULTICOOKER COMPOUND BOTTOM 22L

Index

Pag.	1	Gas model body
	2	Gas components
	3	Electric model
	4	Spare parts list
	5	Spare part list gas model body
	6	Spare part list gas components
	7	Spare part list electric model

Indice

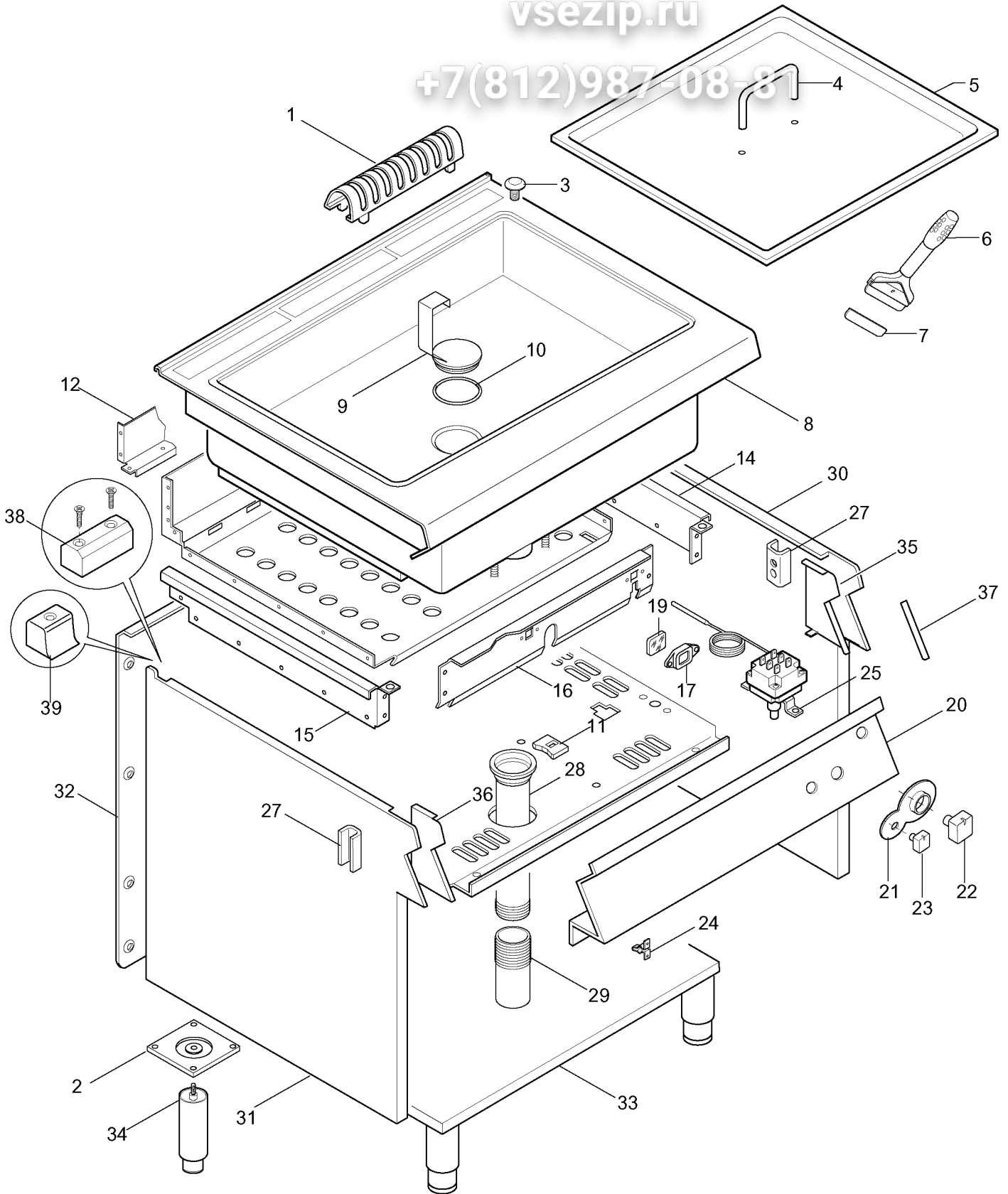
Mobile modello gas
Componenti gas
Versione elettrica
Lista ricambi
Lista ricambi mobile modello gas
Lista ricambi componenti gas
Lista ricambi versione elettrica

Brand / Marchio : Zanussi
Factory code: 7PDN

Зип Общепит

vsezip.ru

+7(812)987-08-8

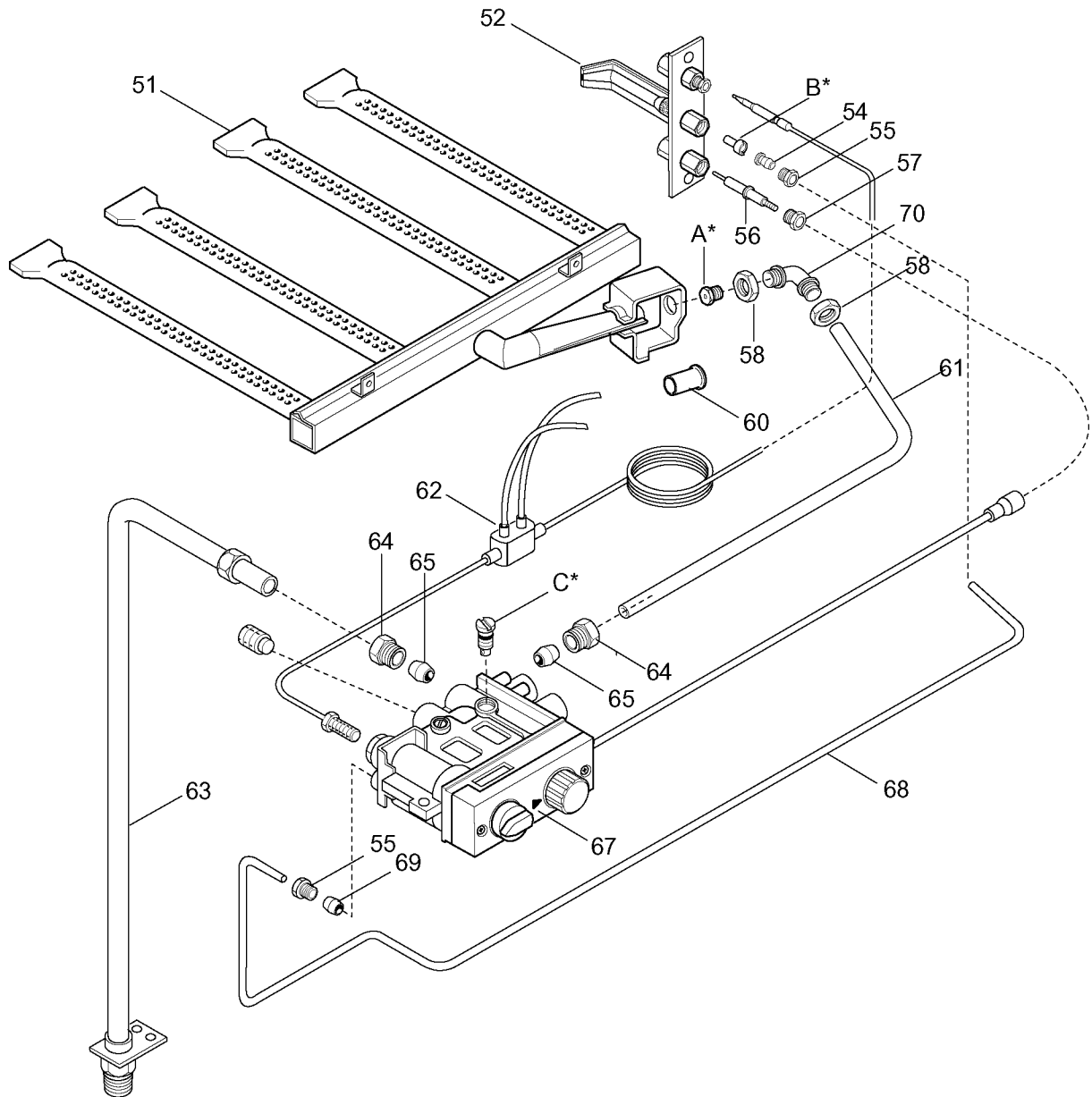


GAS BRATT PAN FIXED TANK
BRASIERA GAS A VASCA FISSA

Зип Ощепит

vsezip.ru

+7(812)987-08-81



GAS BRATT PAN FIXED TANK
BRASIERA GAS A VASCA FISSA

17(812)937-08-81

A - Ugello bruciatore / Burner nozzle ø60	
6DGT Code	Ref. / Notes
0A2142	ø2.90 2H/2E+ G20 20mbar
056795	ø2.70 2H G20 25mbar
002916	ø3.25 2ELL G25 20mbar
0C2843	ø3.05 2L G25 25mbar
058375	ø1.90 3+3B/P G30 30mbar
056793	ø1.80 3B/P G30 36mbar
0A2141	ø1.65 3B/P G30 50mbar
0C2843	ø3.05 2S G25.1 25mbar
059627	ø3.30 No CE G20 10mbar

B - Ugello pilota / Pilot nozzle	
6DGT Code	Ref. / Notes
054037	n°25 2H/2E+ G20 20mbar
054037	n°25 2H G20 25mbar
054037	n°25 2ELL G25 20mbar
054037	n°25 2L G25 25mbar
054286	n°24 3+3B/P G30 30mbar
054286	n°24 3B/P G30 36mbar
054286	n°24 3B/P G30 50mbar
054037	n°25 2S G25 25mbar
054037	n°25 No CE G20 10mbar

C - Vite di minimo / Min screw ø60	
6DGT Code	Ref. / Notes
0C1735	n°260 2H/2E+ G20 20mbar
006472	n°225 2H G20 25mbar
0C1735	n°260 2ELL G25 20mbar
0C1735	n°260 2L G25 25mbar
0C1734	n°150 3+3B/P G30 30mbar
0C1734	n°150 3B/P G30 36mbar
006475	n°130 3B/P G30 50mbar
0C1735	n°260 2S G25.1 25mbar
0C1735	n°260 No CE G20 10mbar