

CATALOGO PARTI DI RICAMBIO  
SPARE PARTS CATALOGUECUOCIPASTA GAS  
GAS PASTACOOKER

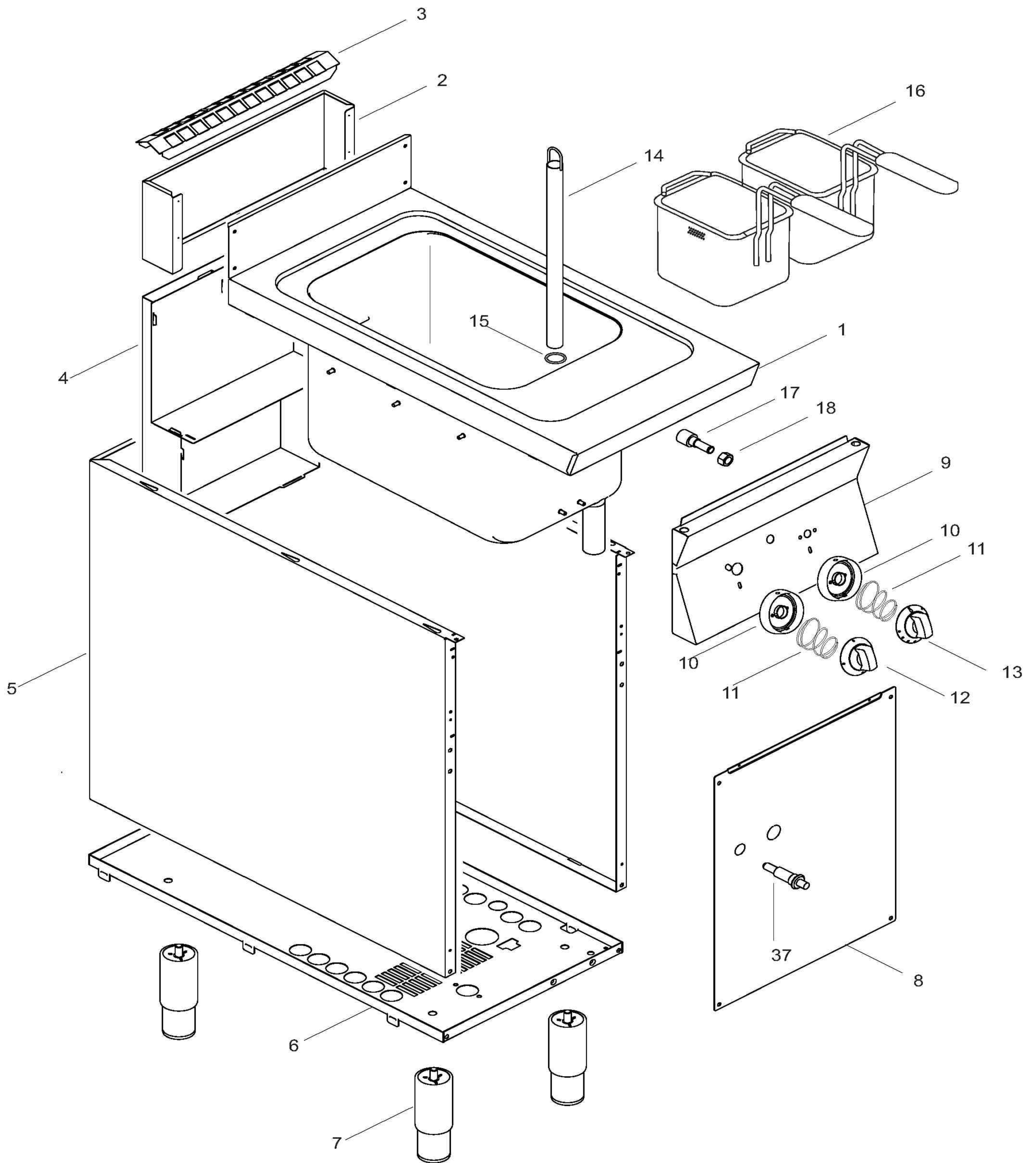
---

PNC	Model	Ref.	Page	Note
162320	BCP/G1	-	1...5	GAS PASTA COOKER 24.5 LT 350 MM

Pag. 2  
3  
4 -5

**Indice**  
Mobile e componenti  
Impianto gas  
Lista ricambi

**Index**  
Structure and components  
Gas components  
Spare parts list



CUOCIPASTA GAS  
GAS PASTACOOKER

Da Ser. Nr. / From ser. nr.: 917.....

Page: 2

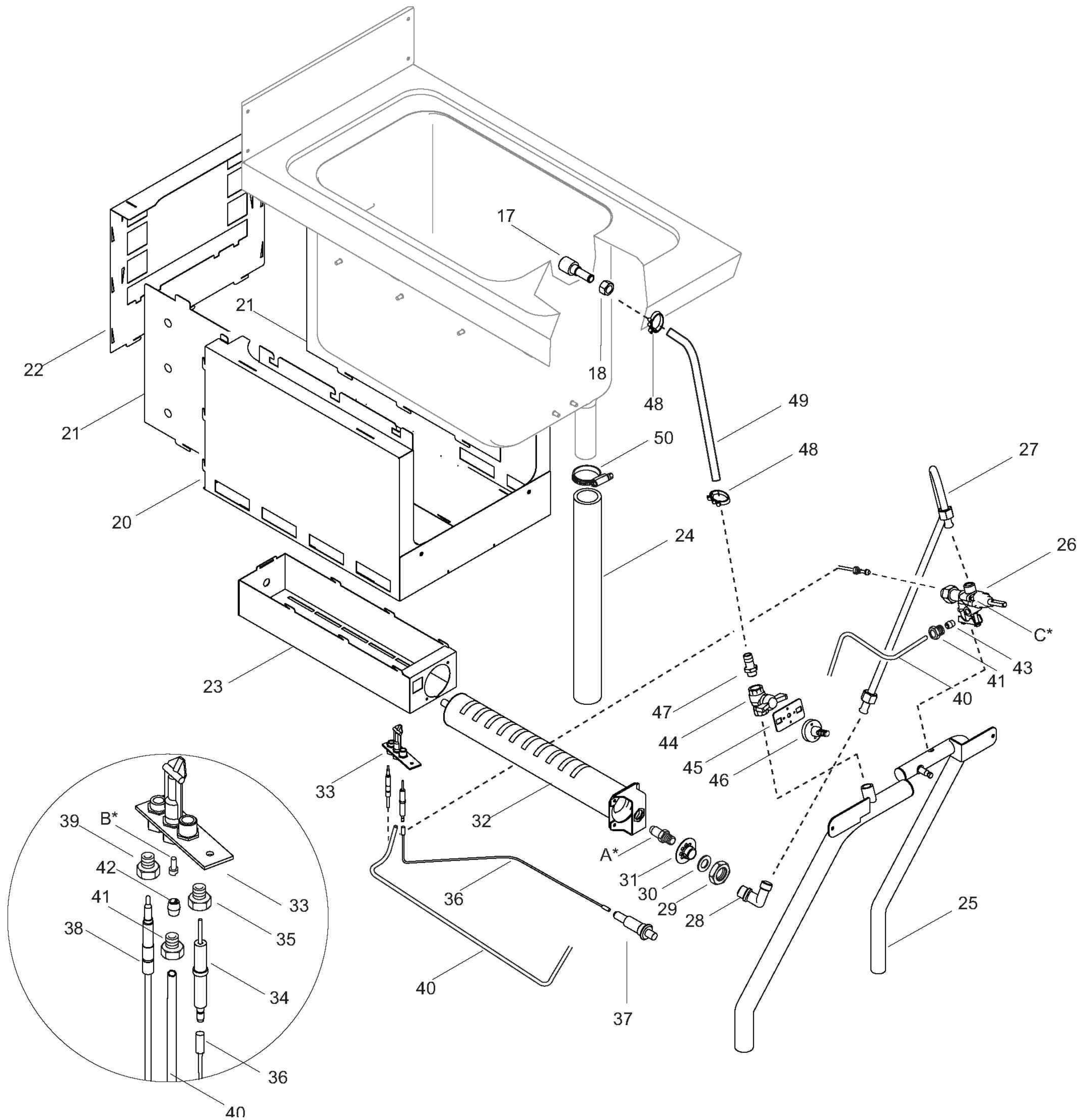
Ed.2009 04

Doc. Nr.:

**597852000**

(2- 06060)





CUOCIPASTA GAS  
GAS PASTACOOKER

<b>A - Ugello bruciatore / Burner nozzle</b>	
<b>6DGT Code</b>	<b>Ref. / Notes</b>
002267	ø2.45 2H/2E+ G20 20mbar
002865	ø2.30 2H G20 25mbar
003371	ø2.75 2ELL G25 20mbar
002268	ø2.60 2L G25 25mbar
002905	ø1.60 3+3B/P G30 30mbar
003722	ø1.55 3B/P G30 37mbar
004488	ø1.40 3B/P G30 50mbar
002268	ø2.60 2S G25.1 25mbar
0C4150	ø2.80 AU G20 10mbar
0C3079	ø6.25 No CE G110 8mbar

<b>B - Ugello pilota / Pilot nozzle</b>	
<b>6DGT Code</b>	<b>Ref./ Notes</b>
054037	n°25 2H/2E+ G20 20mbar
054037	n°25 2H G20 25mbar
054037	n°25 2ELL G25 20mbar
054037	n°25 2L G25 25mbar
054286	n°24 3+3B/P G30 30mbar
054286	n°24 3B/P G30 36mbar
054286	n°24 3B/P G30 50mbar
054037	n°25 2S G25.1 25mbar
054037	n°25 AU G20 10mbar
054038	n°45 No CE G110 8mbar

<b>C - Vite di minimo / Min screw ø60</b>	
<b>6DGT Code</b>	<b>Ref./ Notes</b>
003182	n°140 2H/2E+ G20 20mbar
003182	n°140 2H G20 25mbar
003182	n°140 2ELL G25 20mbar
003182	n°140 2L G25 25mbar
002770	n°85 3+3B/P G30 30mbar
002770	n°85 3B/P G30 36mbar
002769	n°75 3B/P G30 50mbar
003182	n°140 2S G25.1 25mbar
003182	n°140 AU G20 10mbar
-	adj No CE G110