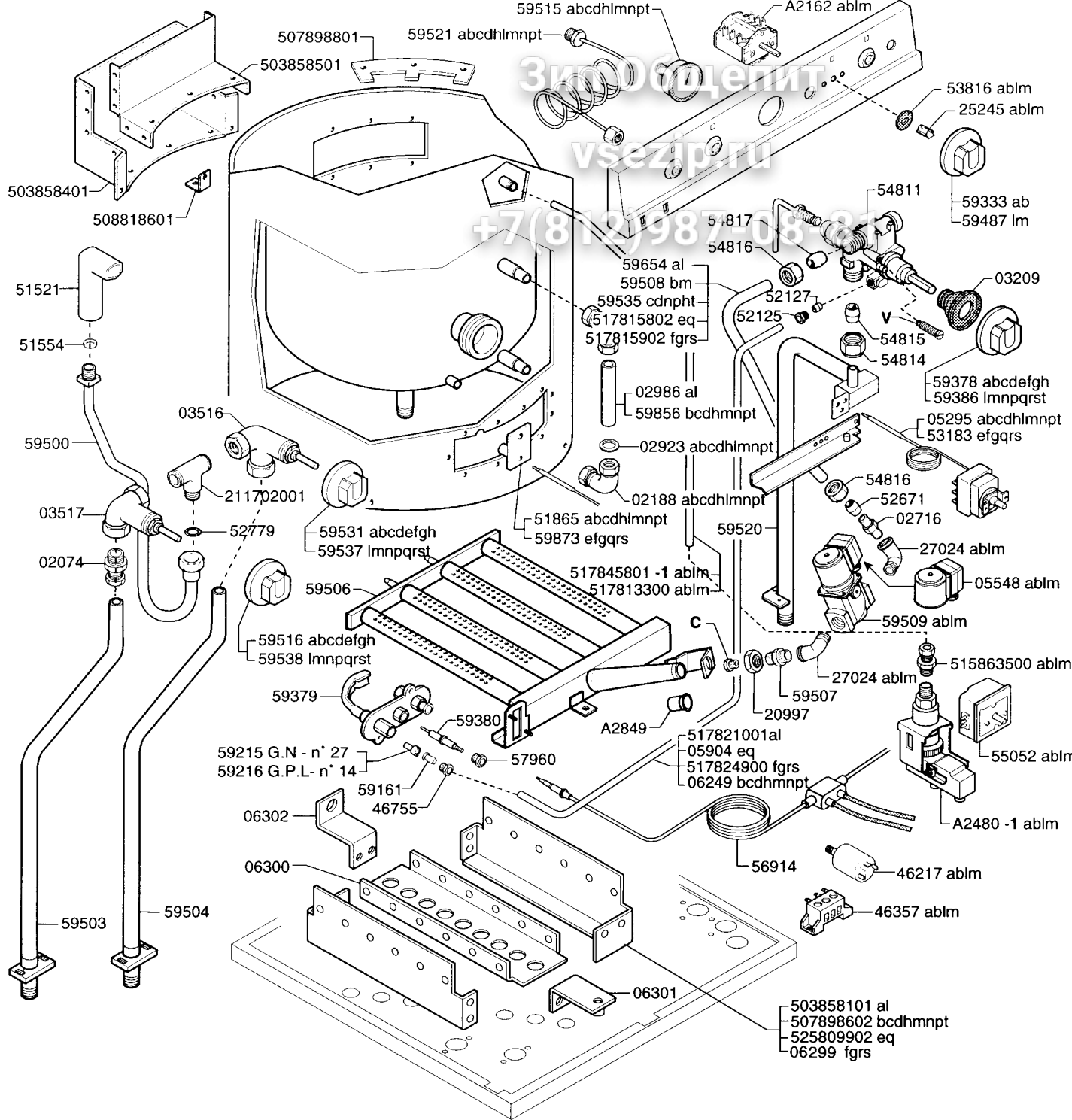


" 900 " GAS BOILING PAN PENTOLA A GAS							Z - P	REF. RIF.	From serial Nr Da matricola
a	b	c	d	e	f	g	h	2	301... 022...
202 001 HPN/ GI 810	202 002 HPN/ GI 815	202 006 HPN/ GI 816	202 035 HPNS/ GI 816	202 019 HPN/ GD 811	202 020 HPN/ GD 816	202 023 HPA/ GD 825	202 024 HPA/ GI 825		
l	m	n	p	q	r	s	t		
212 001 2PI G 10	212 002 2PI G 15	212 006 2PI G 15	212 035 2PI G 15 T	212 019 2PD G 10	212 020 2PD G 15	212 023 2PDA G 15	212 024 2PIA G 15		



C	
A5170 ø 3,50 G.N. cat. "H-E-L" aelq	59639 ø 3,75 G.N. cat. "L-L" aelq
A5356 ø 2,35 G.P.L. 30-37 mbar aelq	A2102 ø 2,00 G.P.L. 50 mbar aelq

C	
02979 ø 3,80 G.N. cat. "H-E-L" bcd fgh m n p r s t	A2306 ø 4,00 G.N. cat. "L-L" bcd fgh m n p r s t
59382 ø 2,50 G.P.L. 30-37 mbar bcd fgh m n p r s t	59418 ø 2,15 G.P.L. 50 mbar bcd fgh m n p r s t

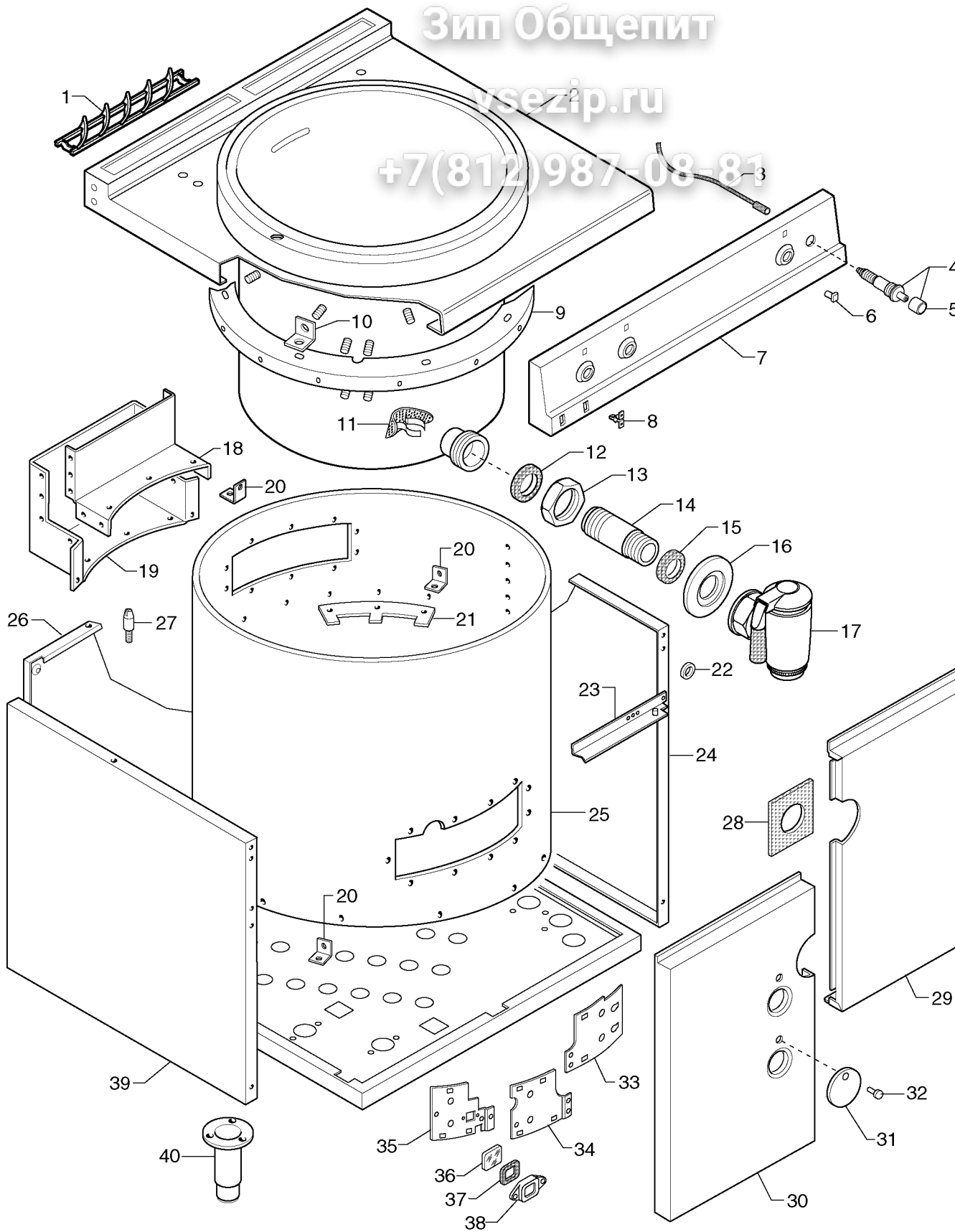
V	
02977 ø 2,10 G.N. cat. "H-E-L"	02978 ø 2,25 G.N. cat. "L-L"
02976 ø 1,40 G.P.L. 30-37 mbar	56769 ø 1,20 G.P.L. 50 mbar

" 900 " GAS BOILING PAN PENTOLA A GAS								REF.	From serial Nr
a	b	c	d	e	f	g	h	RIF.	Da matricola
202 001 HPN/ GI 810	202 002 HPN/ GI 815	202 006 HPN/ GI 816	202 035 HPNS/ GI 816	202 019 HPN/ GD 811	202 020 HPN/ GD 816	202 023 HPA/ GD 825	202 024 HPA/ GI 825	1	301... 641...
212 001 2PI G 10	212 002 2PI G 15	212 006 2PI G 15	212 035 2PI G 15 T	212 019 2PD G 10	212 020 2PD G 15	212 023 2PDA G 15	212 024 2PIA G 15		

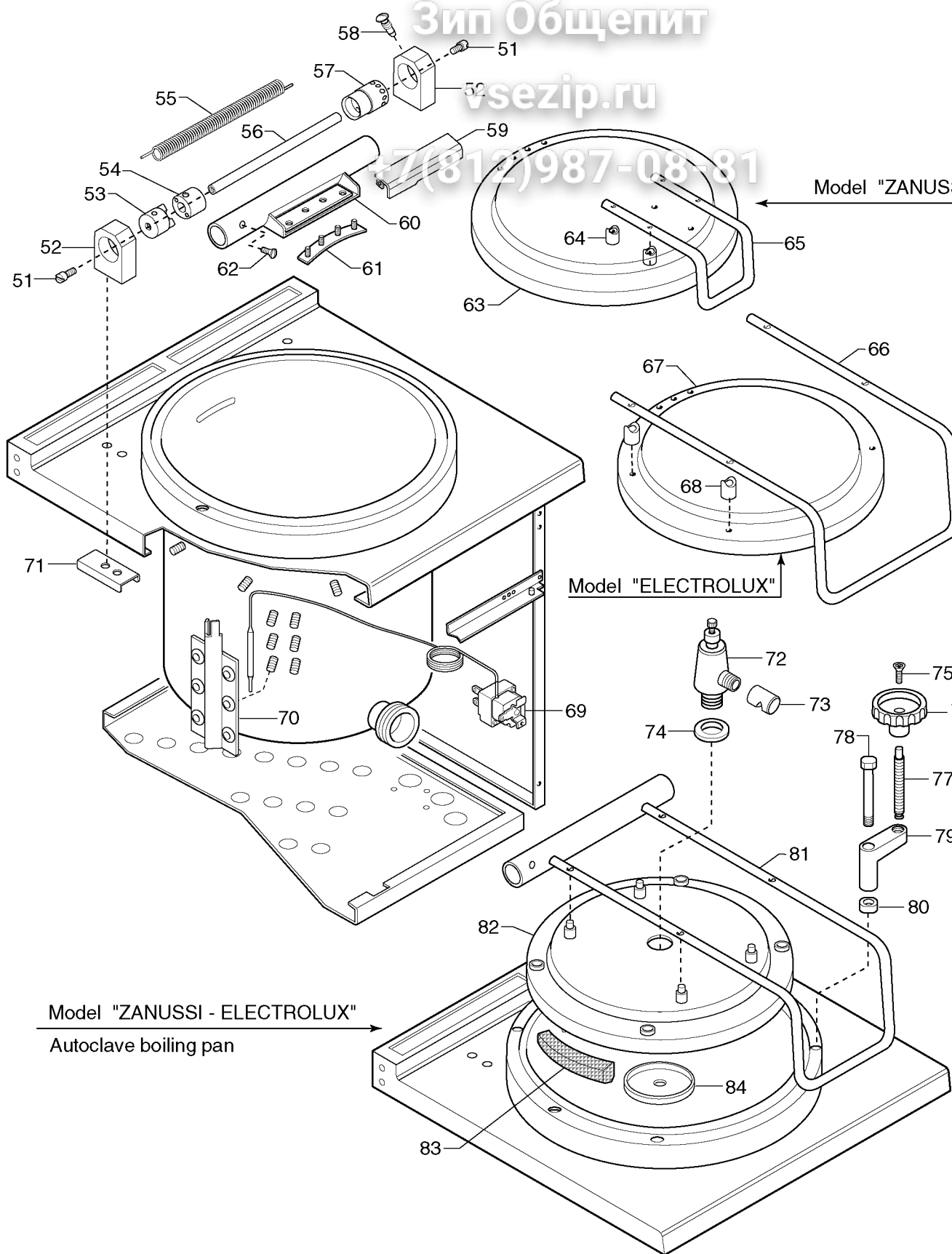
Зип Общепит

ysezip.ru

+7(812)987-08-81



GAS BOILING PAN DIRECT HEATING HD 900
PENTOLA GAS RISCALDAMENTO DIRETTO



Model "ZANUS"

Model "ELECTROLUX"

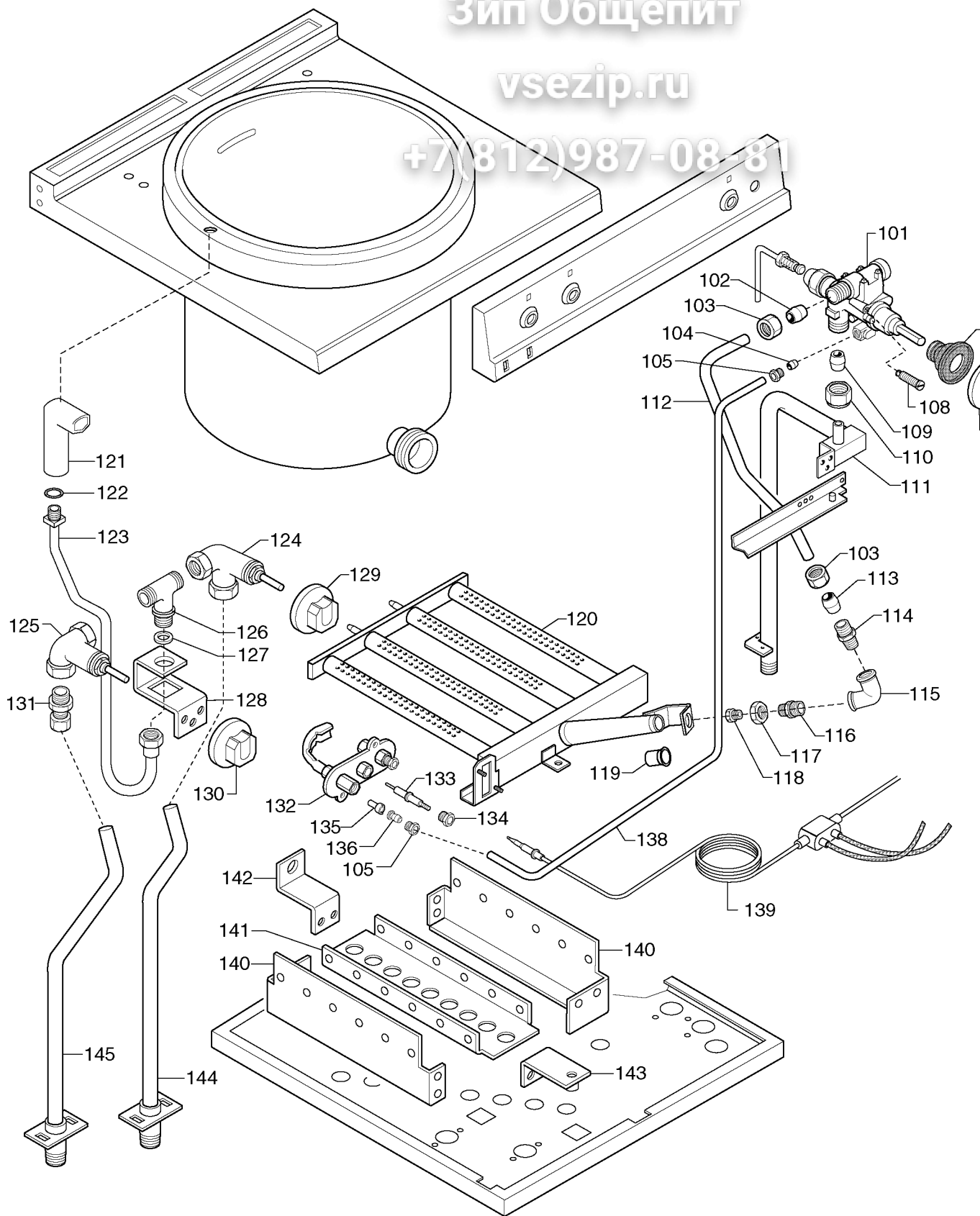
Model "ZANUSSI - ELECTROLUX"
Autoclave boiling pan

GAS BOILING PAN DIRECT HEATING HD 900
PENTOLA GAS RISCALDAMENTO DIRETTO

Зип Общепит

vsezip.ru

+7(812)987-08-81



GAS BOILING PAN DIRECT HEATING
PENTOLA GAS RISCALDAMENTO DIRETTO

HD 900

Зип Общепит

vsezip.ru

+7(812)987-08-81

108 - Vite minimo / Minimum screw			135 - Ugello bruciatore pilota / Pilot burner nozzle		
002977 ø 2,10 2H,2E+	G20	20mbar	059215 n° 27 2H,2E+	G20	20mbar
002977 ø 2,10 2L	G25	25mbar (Olanda)	059215 n° 27 2L	G25	25mbar (Olanda)
002978 ø 2,25 2ELL	G25	20mbar (Germania)	059215 n° 27 2ELL	G25	20mbar (Germania)
002976 ø 1,40 3+,3B/P	G30/G31	28-30/37mbar	059216 n° 14 3+,3B/P	G30/G31	28-30/37mbar
056769 ø 1,20 3B/P	G30/G31	50 mbar (Germania)	059216 n° 14 3B/P	G30/G31	50 mbar (Germania)

118 - Ugello bruciatore / Burner nozzle			118 - Ugello bruciatore / Burner nozzle				
0A5170 ø 3,50 2H,2E+	G20	20mbar	ae	002979 ø 3,80 2H,2E+	G20	20mbar	bcf
0A5170 ø 3,50 2L	G25	25mbar (Olanda)	ae	002979 ø 3,80 2L	G25	25mbar (Olanda)	bcf
059639 ø 3,75 2ELL	G25	20mbar (Germania)	ae	0A2306 ø 4,00 2ELL	G25	20mbar (Germania)	bcf
0A5356 ø 2,35 3+,3B/P	G30/G31	28-30/37mbar	ae	059382 ø 2,50 3+,3B/P	G30/G31	28-30/37mbar	bcf
0A2102 ø 2,00 3B/P	G30/G31	50 mbar (Germania)	ae	059418 ø 2,15 3B/P	G30/G31	50 mbar (Germania)	bcf

GAS BOILING PAN DIRECT HEATING
PENTOLA GAS RISCALDAMENTO DIRETTO

HD 900