

Modular Platform

Viale Treviso, 15
33170 Pordenone - Italy
Fax: +39 0434-380577

VSETOLE GAS INDIRETTE 100/150Lt N900
GAS BOILING PAN INDIRECT HEATING 100/150Lt N900**+7(812)987-08-81**

PNC	Model	Ref.	Page	Notes
200 271	KPI/G10	a	1 ... 8	100Lt Gas Boilong Pan Indirect Heating
200 272	KPI/G15	b	1 ... 8	150Lt Gas Boilong Pan Indirect Heating
200 278	KPI/G15A	c	1 ... 8	150Lt Gas Boilong Pan Indirect Heating Autoclave

Pag. 1 - 2 - 3 - 5
Pag. 4
Pag. 6 - 7 - 8

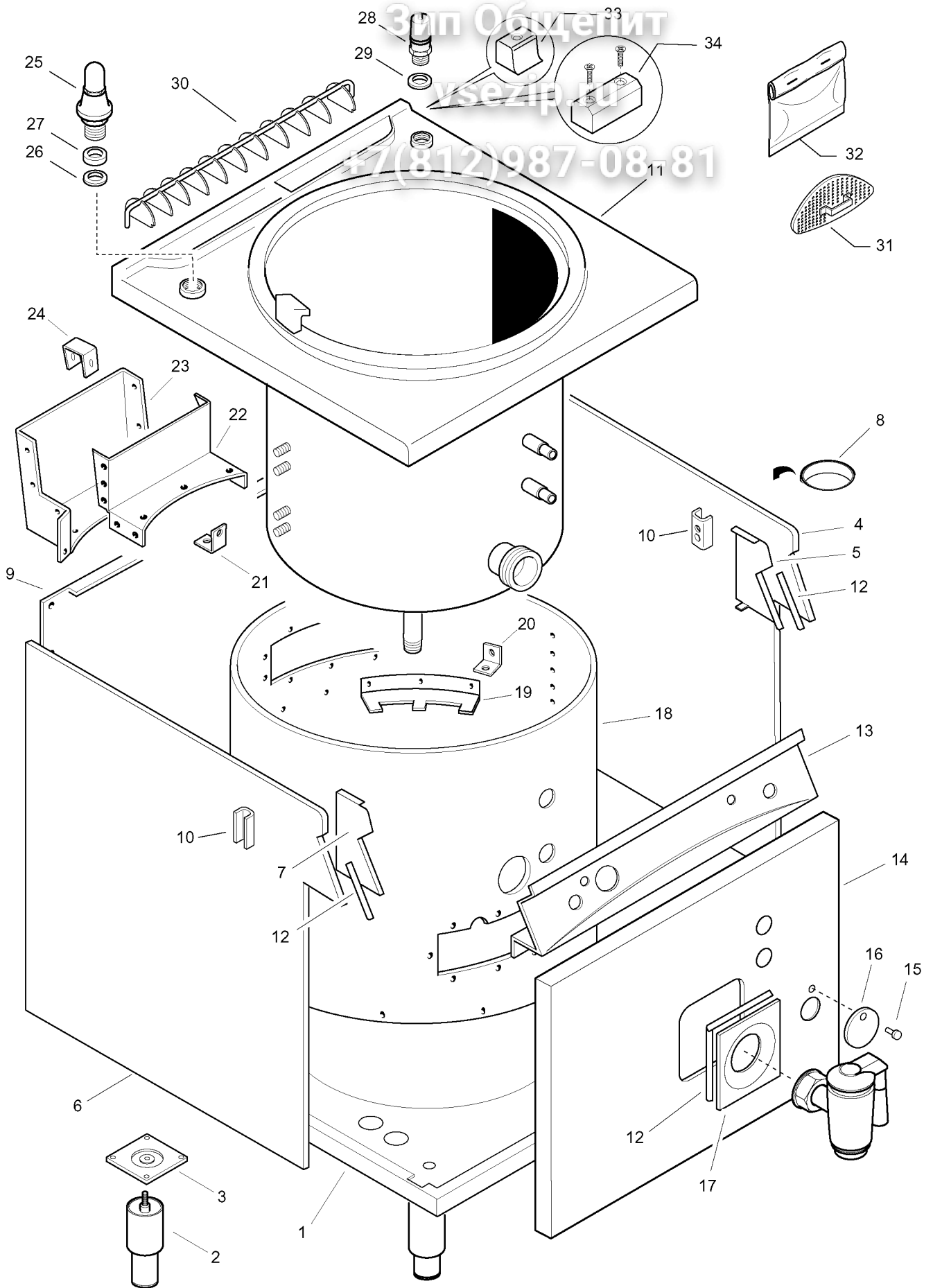
Index

Frame and components
Pilot / Burner Nozzle
Spare parts list

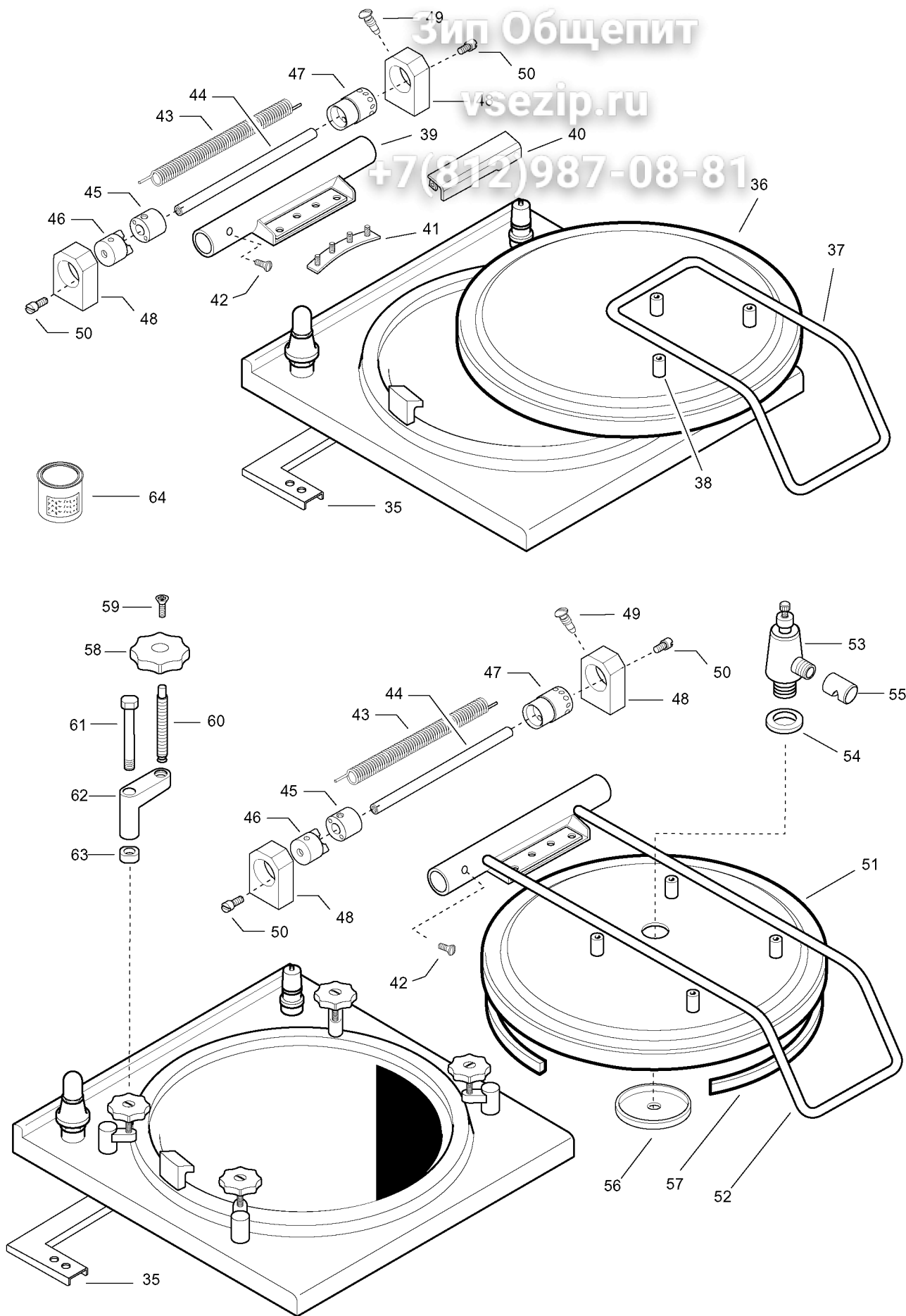
Indice

Struttura e componenti
Tabelle ugelli
Lista ricambi

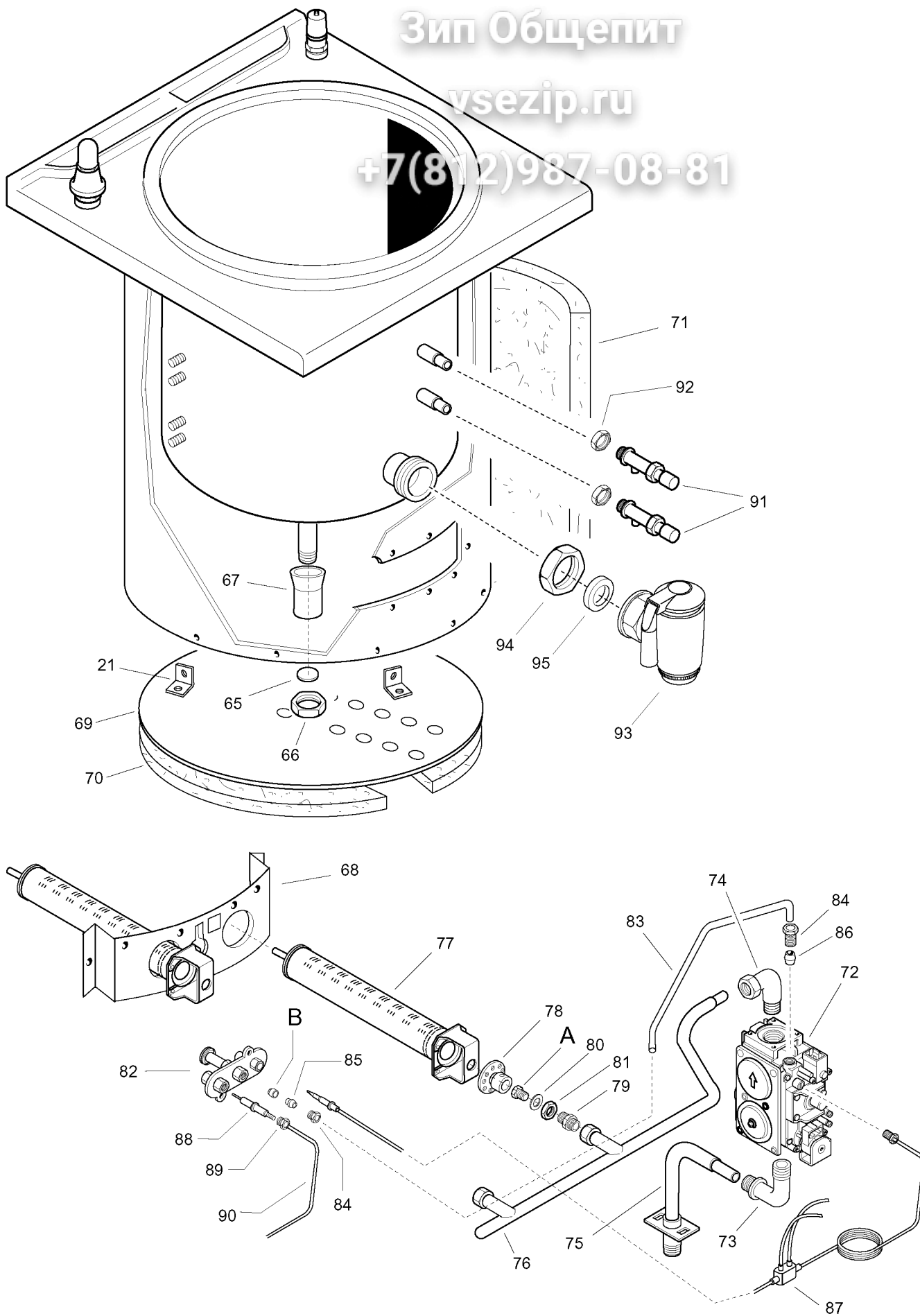
Brand / Marchio : Zanussi
Factory code: 7PDN



PENTOLE GAS INDIRETTE N900
GASBOILING PAN INDIRECT HEATING N900



PENTOLE GAS INDIRETTE N900
GAS BOILING PAN INDIRECT HEATING N900



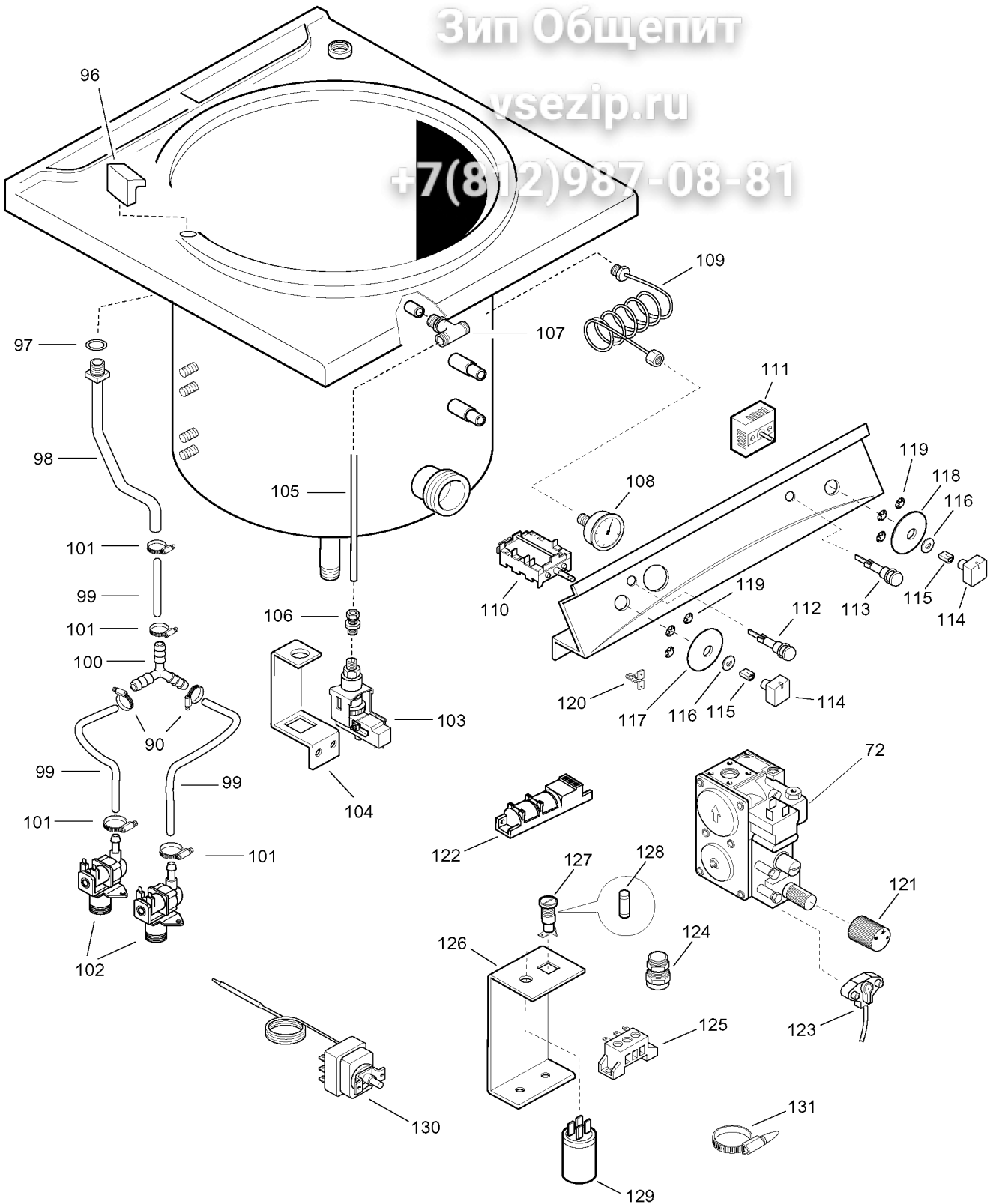
PENTOLE GAS INDIRETTE N900
GAS BOILING PAN INDIRECT HEATING N900

A - Ugello bruciatore / Burner nozzle 100LT			
6DGT Code	Ref. / Notes		
059363	ø2.50	2H/2E+	G20 20mbar
0C0747	ø2.70	2ELL	G25 20mbar
002268	ø2.60	2L	G25 25mbar
054127	ø1.65	3+3B/P	G30/31 28-30/37mbar
056470	ø1.45	3B/P	G30/31 50mbar
054034	ø3.00	No CE	G20 10mbar

A - Ugello bruciatore / Burner nozzle 150LT			
6DGT Code	Ref. / Notes		
002268	ø2.60	2H/2E+	G20 20mbar
006419	ø2.90	2ELL	G25 20mbar
003371	ø2.75	2L	G25 25mbar
003723	ø1.75	3+3B/P	G30/31 28-30/37mbar
003722	ø1.55	3B/P	G30/31 50mbar
054084	ø3.00	No CE	G20 10mbar

B - Ugello pilota / Pilot nozzle 100Lt			
6DGT Code	Ref./ Notes		
053670	n°41	2H/2E+	G20 20mbar
053670	n°41	2ELL	G25 20mbar
053670	n°41	2L	G25 25mbar
053667	n°30	3+3B/P	G30/31 28-30/37mbar
053667	n°30	3B/P	G30/31 50mbar
053670	n°41	No CE	G20 10mbar

**PENTOLE GAS INDIRETTE N900
GAS BOILING PAN INDIRECT HEATING N900**



PENTOLE GAS INDIRETTE N900
GAS BOILING PAN INDIRECT HEATING N900