



ELECTROLUX PROFESSIONAL

**Modular Platform**

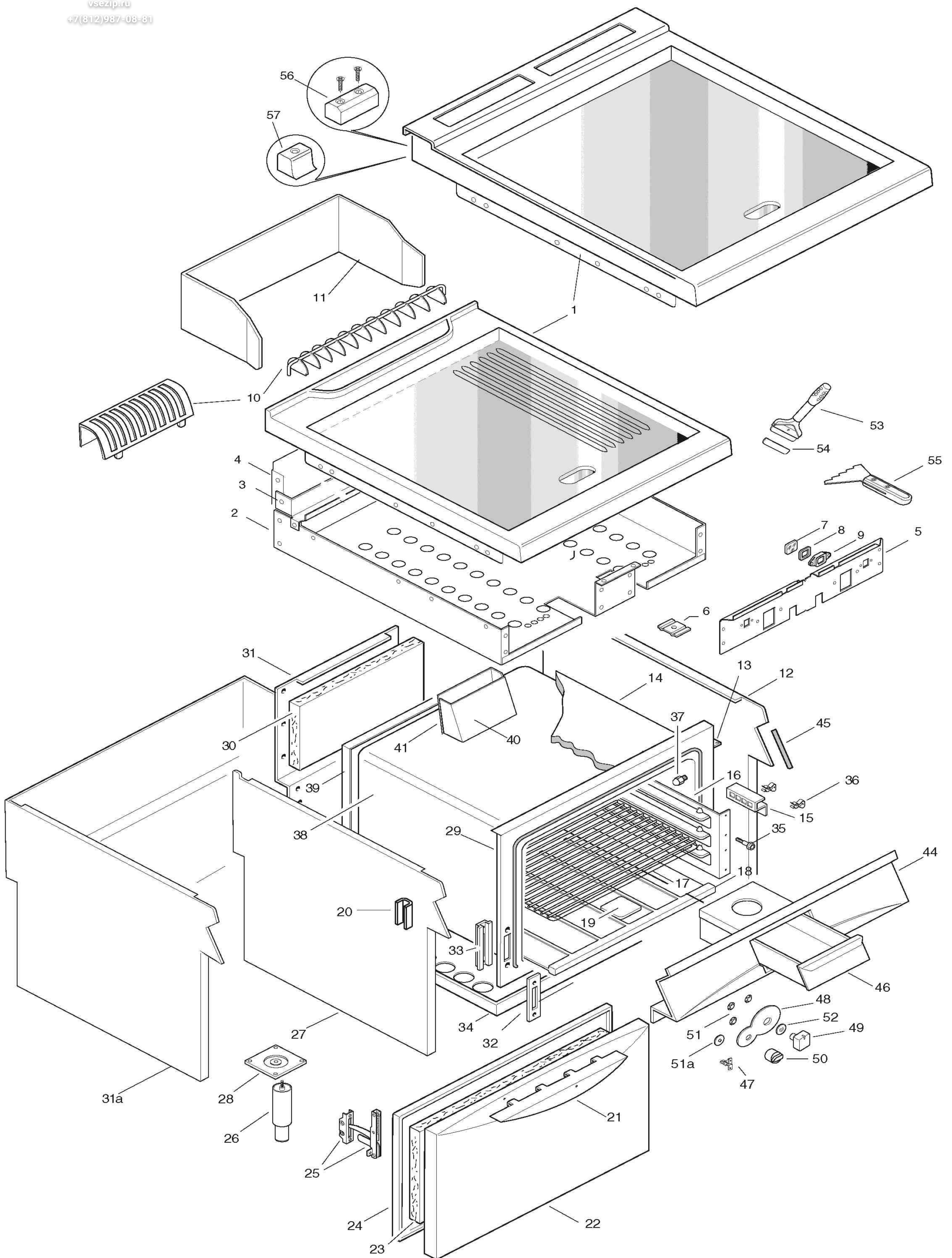
Viale Treviso, 15  
33170 Pordenone - Italy  
Fax: +39 0434-380577

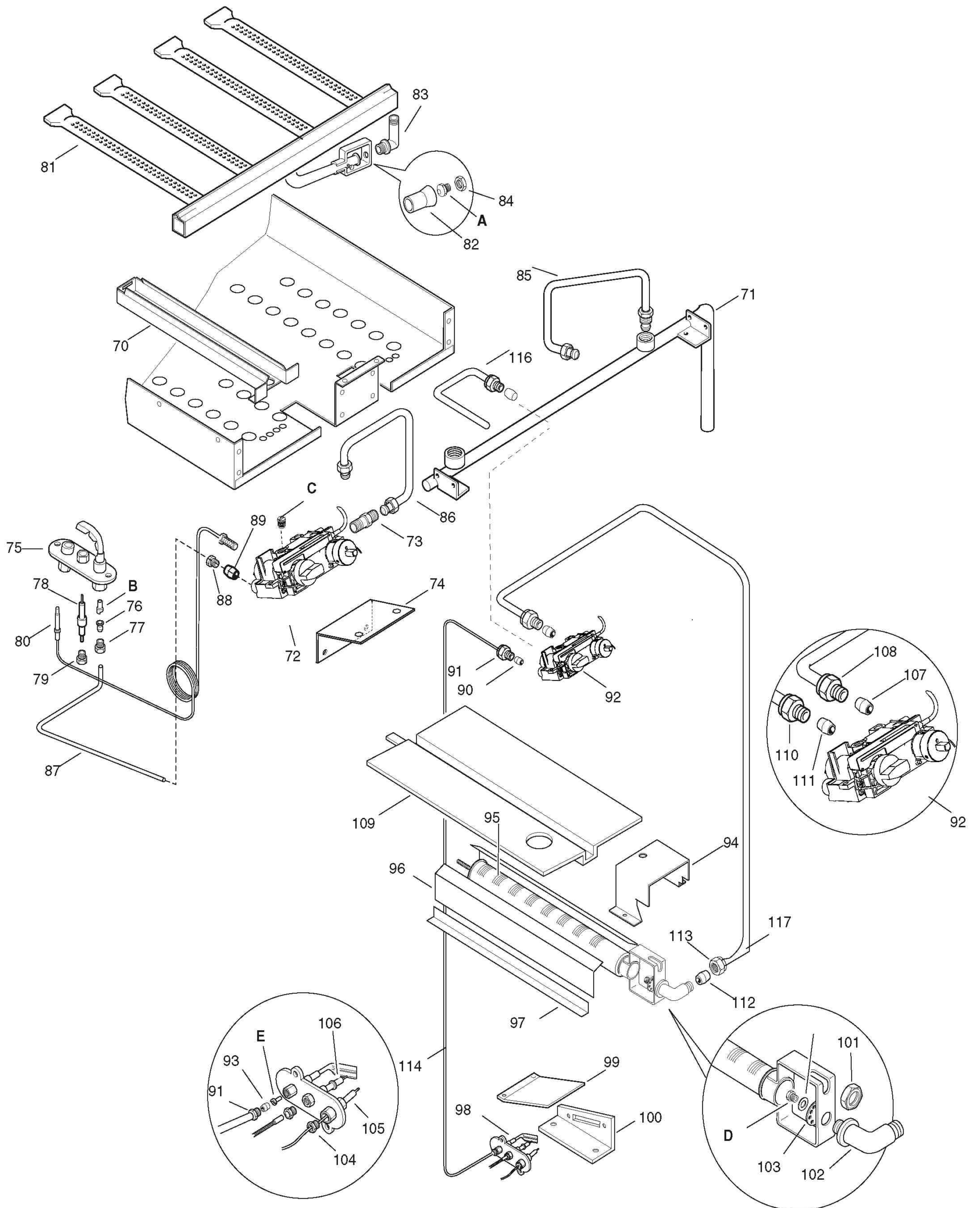
CATALOGO PARTI DI RICAMBIO  
SPARE PARTS CATALOGUE  
**FRYTOP GAS SU FORNO GAS N900**  
**GAS FRYTOP ON GAS OVEN N900**

PNC	Model	Ref.	Note
200201	KFR/GT2R	-	GasFrytop smooth + ribbed sloped plate on gas oven 800mm

<b>Pag.</b>	<b>Indice</b>	<b>Index</b>
1	Mobile e componenti	Structure and components
2- 3	Lista ricambi	Spare parts list

**Marchio / Brand:** Zanussi  
**Factory code:** 9PDX





<b>A - Ugello bruciatore / Burner nozzle</b>			
<b>6DGT Code</b>	<b>Ref. / Notes</b>		
0A5170	ø3.50	2H/2E+	G20 20mbar
0A2306	ø4.00	2ELL	G25 20mbar
059639	ø3.75	2L	G25 25mbar
0A2475	ø2.25	3+3B/P	G30 30mbar
059418	ø2.15	3B/P	G30 36mbar
0A2301	ø1.95	3B/P	G30 50mbar
059639	ø3.75	2S	G25.1 25mbar
003951	ø4.70	No CE	G20 10mbar
056794	ø7.00	No CE	G110 8mbar

<b>B - Ugello pilota / Pilot nozzle</b>		
<b>6DGT Code</b>	<b>Ref./ Notes</b>	
059215	n°27 2H/2E+	G20 20mbar
059215	n°27 2ELL	G25 20mbar
059215	n°27 2L	G25 25mbar
059216	n°14 3+3B/P	G30 30mbar
059216	n°14 3B/P	G30 36mbar
059216	n°14 3B/P	G30 50mbar
059215	n°27 2S	G25.1 25mbar
-	n°37 No CE	G20 10mbar
-	n°50 No CE	G110 8mbar

<b>C - Vite minimo / Minimum screw</b>			
<b>6DGT Code</b>	<b>Ref./ Notes</b>		
006473	ø2.40	2H/2E+	G20 20mbar
006473	ø2.40	2ELL	G25 20mbar
006473	ø2.40	2L	G25 25mbar
0C3587	ø1.80	3+3B/P	G30 30mbar
006463	ø1.60	3B/P	G30 36mbar
006463	ø1.60	3B/P	G30 50mbar
006473	ø2.40	2S	G25.1 25mbar
006473	ø2.40	No CE	G20 10mbar
-	ADJ.	No CE	G110 8mbar

<b>D - Ugello bruciatore FORNO / Burner nozzle OVEN</b>			
<b>6DGT Code</b>	<b>Ref. / Notes</b>		
056471	ø2.25	2H/2E+	G20 20mbar
002267	ø2.45	2ELL	G25 20mbar
004727	ø2.35	2L	G25 25mbar
002862	ø1.50	3+3B/P	G30 30mbar
004488	ø1.40	3B/P	G30 36mbar
059364	ø1.30	3B/P	G30 50mbar
004727	ø2.35	2S	G25.1 25mbar
002267	ø2.45	No CE	G20 10mbar
059365	ø5.50	No CE	G110 8mbar

<b>E - Ugello pilota FORNO / Pilot nozzle OVEN</b>		
<b>6DGT Code</b>	<b>Ref./ Notes</b>	
059215	n°27 2H/2E+	G20 20mbar
059215	n°27 2ELL	G25 20mbar
059215	n°27 2L	G25 25mbar
059216	n°14 3+3B/P	G30 30mbar
059216	n°14 3B/P	G30 36mbar
059216	n°14 3B/P	G30 50mbar
059215	n°27 2S	G25.1 25mbar
059215	n°27 No CE	G20 10mbar
059365	n°50 No CE	G110 8mbar