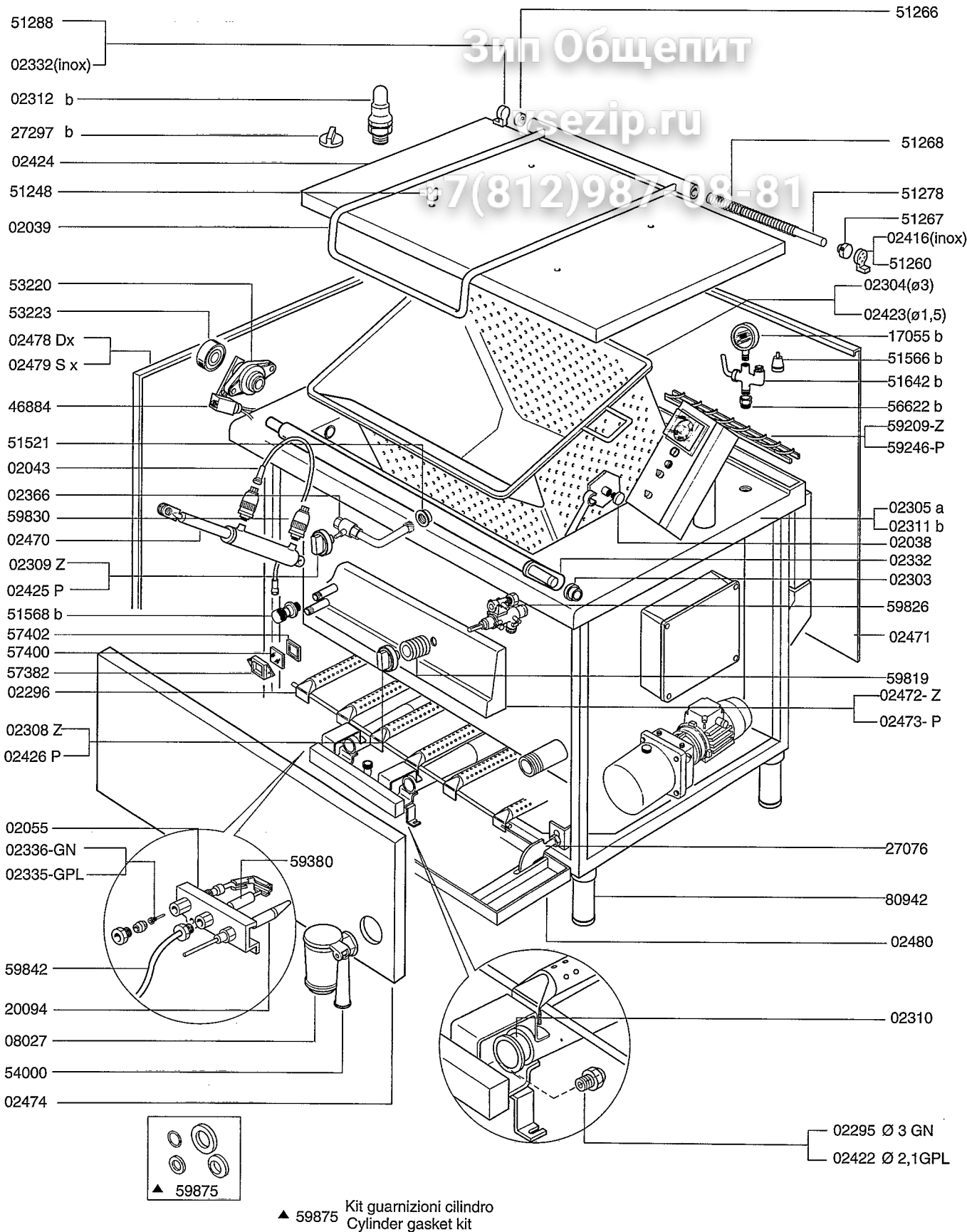


Зип Общепит

sezip.ru

7(812)987-08-81

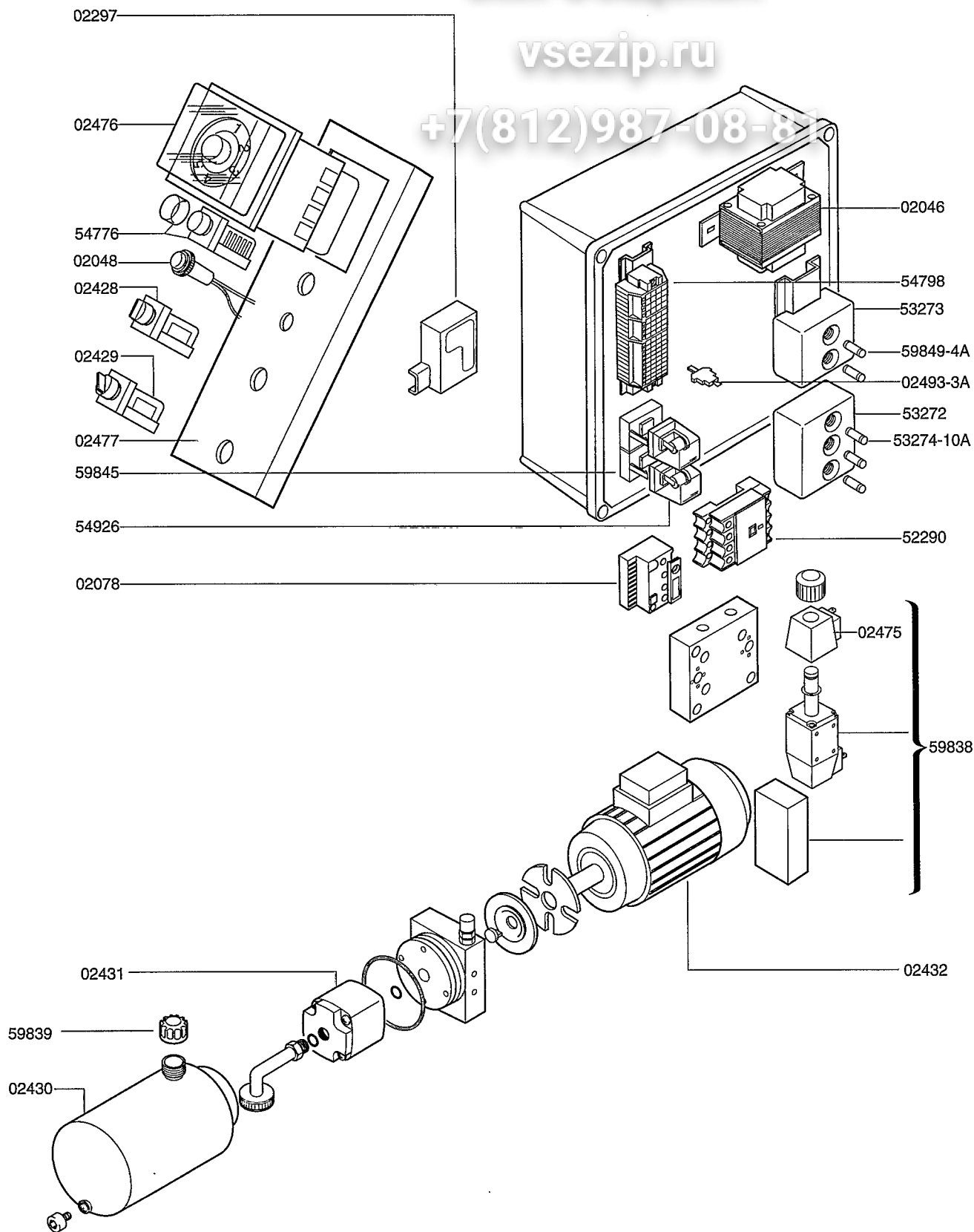


" 900 "		CUOCI PASTA AUTOMATICO AUTOMATIC PASTA COOKER		RIF. REF.	Da matricola From serial N°
	a	b			407...
Z	204 017	204 018			
P	214 017	214 018			
	HCPA/G1219 - CR20G	HCPA/G1 1219 - CR20GI			

Зип Общепит

vsezip.ru

+7(812)987-08-81



CUOCI PASTA AUTOMATICO AUTOMATIC PASTA COOKER		RIF. REF.	Da matricola From serial N°
	a	b	
Z	204 017	204 018	407...
P	214 017	214 018	
	HCPA/G1219 - CR20G	HCPA/GI 1219 - CR20GI	

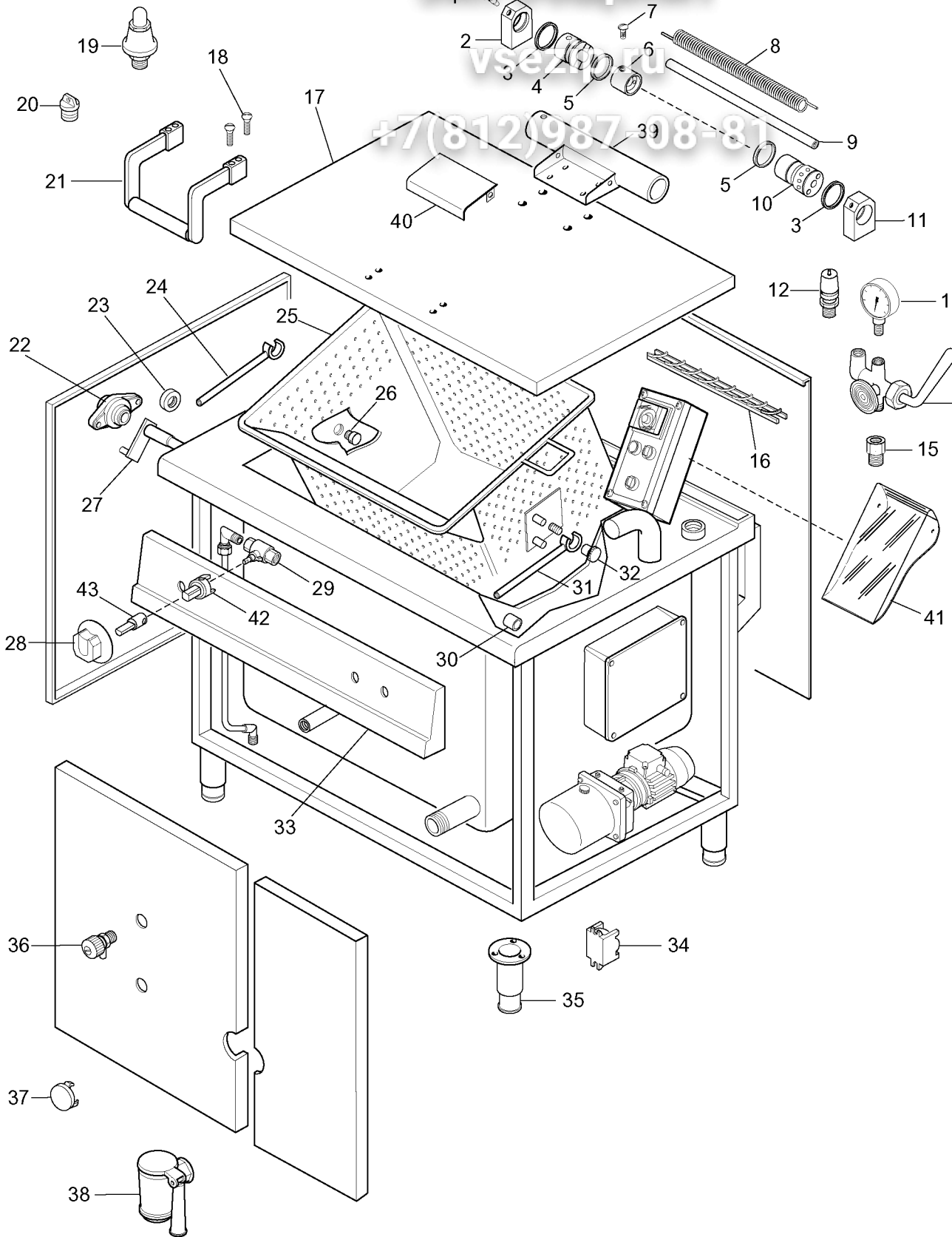
Code	Type	Ref.	
204 017	HCPA/G 1219	(CR20)	a
204 018	HCPA/GI 1219	(CR20)	b
214 017	ZCPA/G 1219	(CR20)	c
214 018	ZCPA/GI 1219	(CR20)	d

**+7(812)987-08-81**

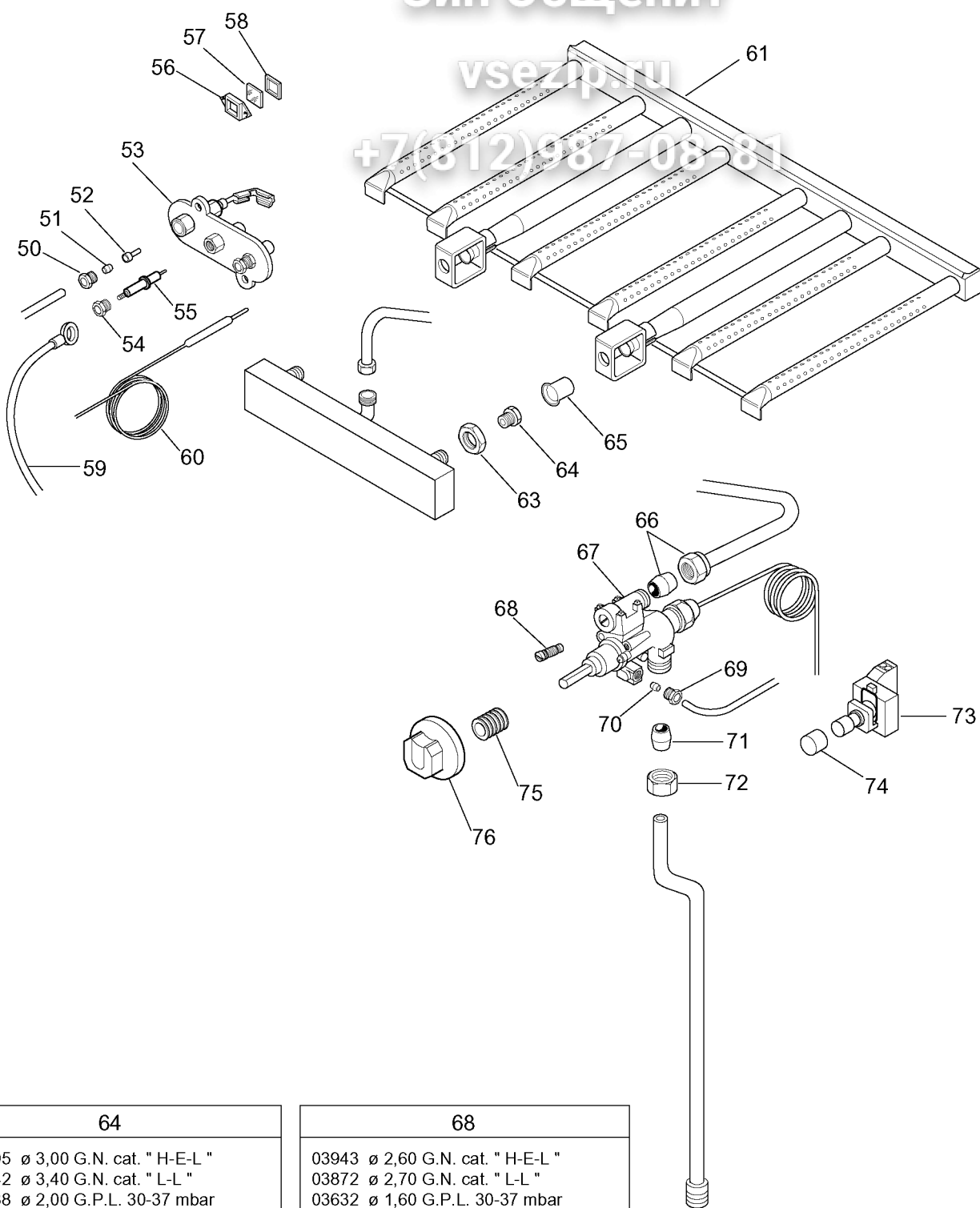
	<b>Index</b>
Pag. 1	Structure components
2	Gas plant
3	Electric components and Oleodynamic device unit
4-6	Spare parts list

	<b>Indice</b>
	Componenti strutturali
	Impianto gas
	Componenti elettrici e centralina oleodinamica
	Lista ricambi

**Brand / Marchio :** Z- P  
**Factory code:** PCM



GAS AUTOMATIC PASTA COOKER CR20G - CR20GI  
CUOCIPASTA AUTOMATICO A GAS

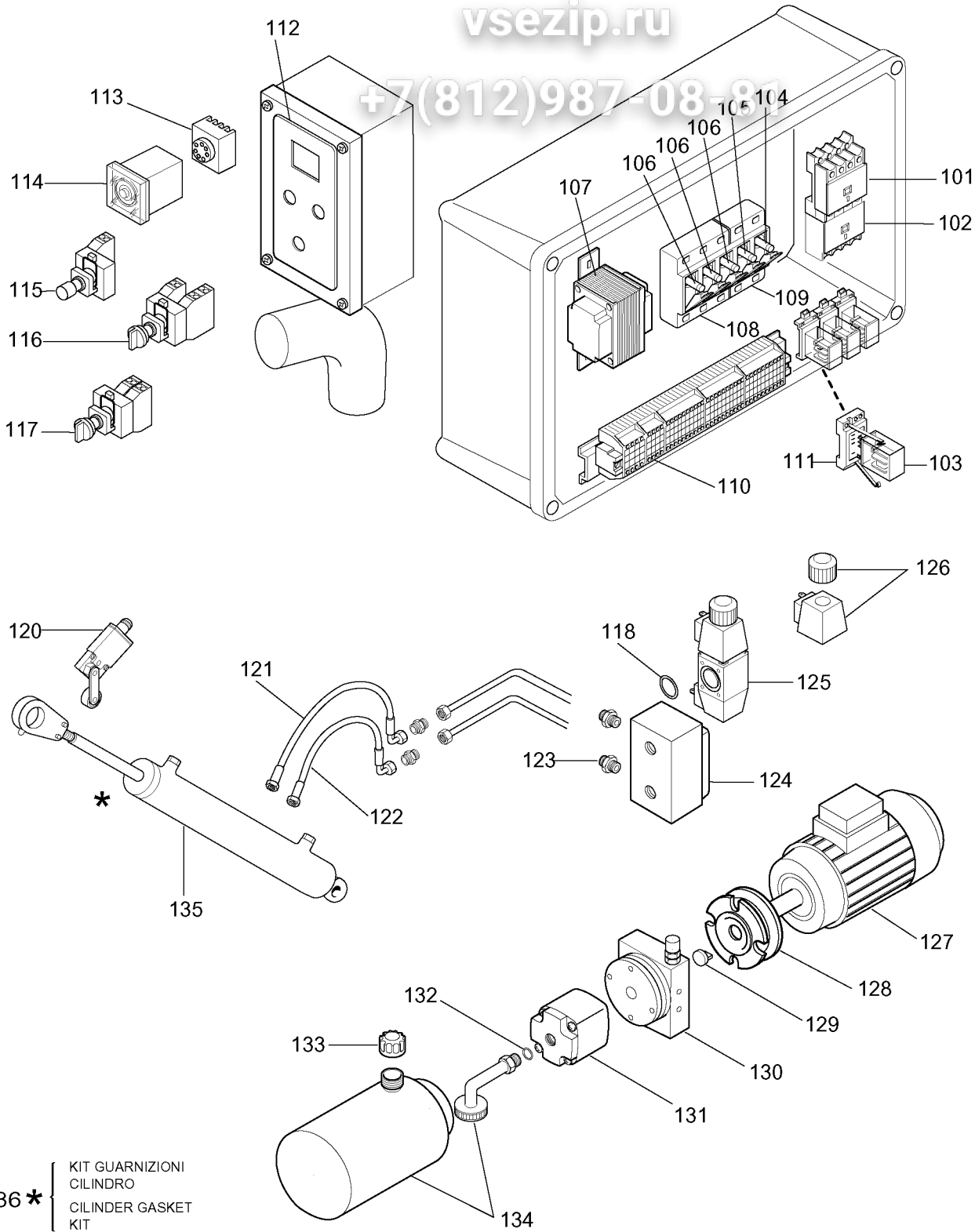


64

02295 ø 3,00 G.N. cat. " H-E-L "  
 03942 ø 3,40 G.N. cat. " L-L "  
 03788 ø 2,00 G.P.L. 30-37 mbar  
 03789 ø 1,75 G.P.L. 50 mbar

68

03943 ø 2,60 G.N. cat. " H-E-L "  
 03872 ø 2,70 G.N. cat. " L-L "  
 03632 ø 1,60 G.P.L. 30-37 mbar  
 03631 ø 1,40 G.P.L. 50 mbar



136 \* KIT GUARNIZIONI  
CILINDRO  
CILINDER GASKET  
KIT

GAS AUTOMATIC PASTA COOKER CR20G - CR20GI  
CUOCIPASTA AUTOMATICO A GAS