

thermaline S90 **GAS CHAR GRILL**
GAS HEATED CHAR GRILL
GRIGLIA A GAS
GRILLOIR À GAZ

vsezip.ru**+7(812)987-08-81****MODEL CODE / PNC**

freistehend, free standing, isolato, isolé
einseitig bedienbar, operated from one side, comando da
un lato, utilisable d'un côté

ADGRAA0000 / 582438
ADGRHA0000 / 582439
ADGUAA0000 / 582442
ADGUHA0000 / 582443

an Wand, against wall, contro la parete, contre cloison

ADGRAFO000 / 582440
ADGRHF0000 / 582441
ADGUAFO000 / 582444
ADGUHF0000 / 582445
ADGROIO000 / 582479
ADGUOIO000 / 582480

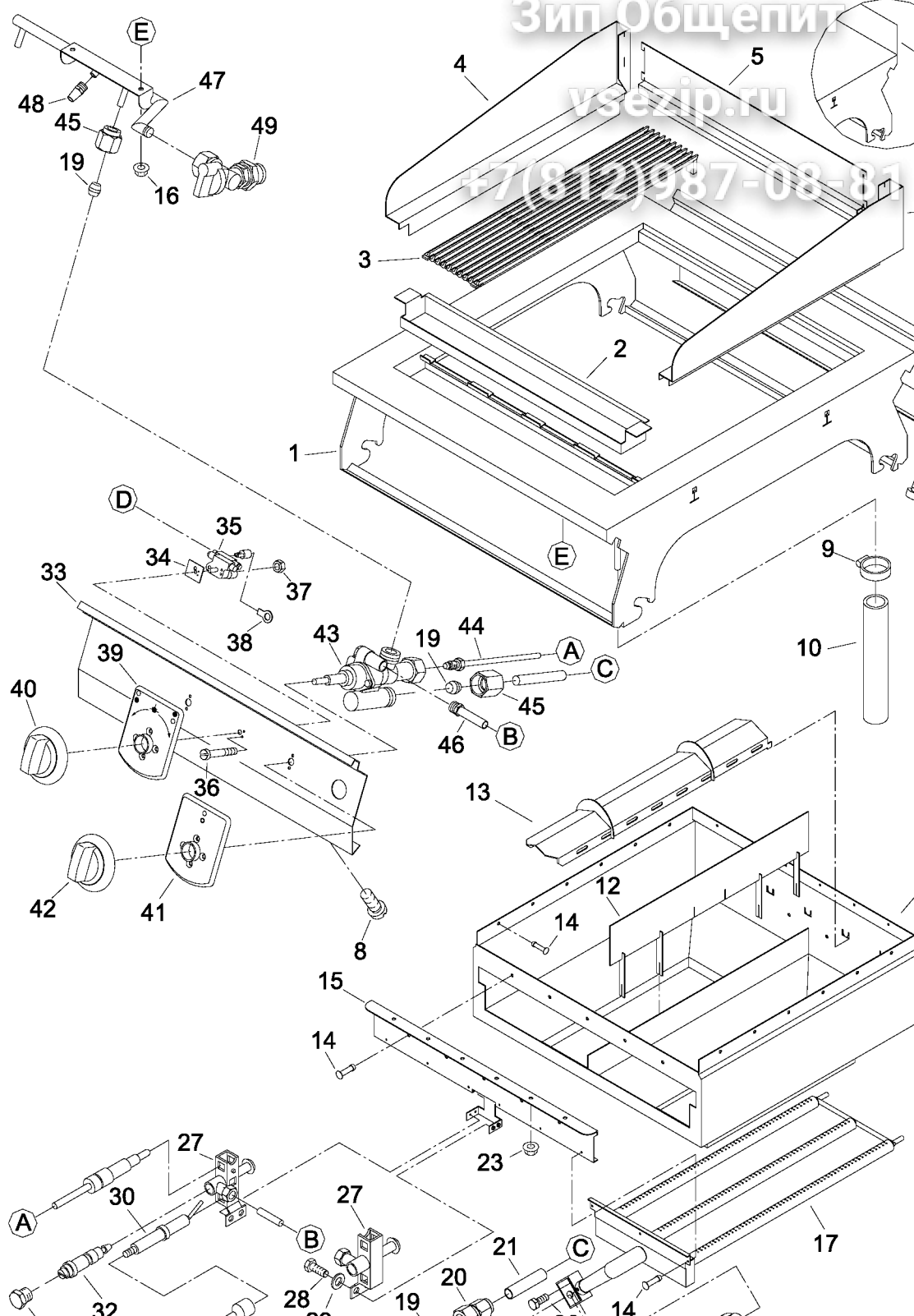
DE **ERSATZTEILLISTE**
GB **SPARE PARTS LIST**
IT **LISTA DEI PEZZI DI RICAMBIO**
FR **LISTE DES PIÈCES DE RECHANGE**

doc. 62.9678.02
edition 1
dat. 03.2003

Зип Общепит

vsezip.ru

+7(812)987-08-81



Зип Общепит

vsezip.ru

+7(812)987-08-81

62.9678.02-1		DE	GB	IT	
		Bezeichnung	designation	designazione	désig
		Gas Char Grill	gas char grill	griglia a gas	grillo
Pos.	Product No.	Oberbau	Superstructure	Sovrastruttura	Supers
1	62.4552.01	Oberteil	top	parte superiore	partie supérie
	62.4552.02	Oberteil	top	parte superiore	partie supérie
	62.4555.01	Oberteil	top	parte superiore	partie supérie
	62.4555.02	Oberteil	top	parte superiore	partie supérie
2	62.4579.02	Auffangschale	collector tray	bacinella di raccolta	réipient de r
	62.4579.01	Auffangschale	collector tray	bacinella di raccolta	réipient de r
3	1 110 1351	Grillrost	grill plate	placca per griglia	plaque de gri
	1 110 1352	Grillrost	grill plate	placca per griglia	plaque de gri
4	62.4570.01	Spritzschutz links	splashguard left	lamiera antispruzzi sinistra	tôle de prote
5	62.4571.02	Spritzschutz hinten	splashguard rear	lamiera antispruzzi dietro	tôle de prote
	62.4571.01	Spritzschutz hinten	splashguard rear	lamiera antispruzzi dietro	tôle de prote
6	62.4570.02	Spritzschutz rechts	splashguard right	lamiera antispruzzi destra	tôle de prote
7	62.4001	Blende	filler	copertura	bandeau
	62.3513.01	Blende	filler	copertura	bandeau
8	10 3179	Schraube M5X12	screw M5X12	vite M5X12	vis M5X12
9	12 9827	Bride	shackle	brida	bride
10	1 115 1417	Schlauch	hose	tubo flessibile	tuyau flexible
11	62.4587	Brennkammer	combustion chamber	camera di combustione	chambre de
	62.4588	Brennkammer	combustion chamber	camera di combustione	chambre de
12	62.4572	Trennwand	partition wall	separazione	paroi de sépa
13	62.4600	Abdeckung Brenner	cover plate burner	copertura bruciatore	recouvremen
14	1 701 6515	Niete 3.2x5.0	rivet 3.2x5.0	rivetta 3.2x5.0	rivet 3.2x5.0
15	62.4592	Brennerhalter	burner support	supporto del bruciatore	support de b
	62.4593	Brennerhalter	burner support	supporto del bruciatore	support de b
16	712 044 120.06	Kepsmutter M6	capture nut M6	dado M6	écrou M6
17	62.2502	Brenner	burner	bruciatore	brûleur
18	72.7102	Düsenhalter	nozzle support	supporto per ugello	porte-gicleur
19	712 345 053.01	Ring	ring	anello	anneau

Зип Общепит

vsezip.ru

+7(812)987-08-81

62.9678.02-1		DE	GB	IT	
		Bezeichnung	designation	designazione	
		Gas Char Grill	gas char grill	griglia a gas	
Pos.	Product No.	Oberbau	Superstructure	Sovrastruttura	
20	1 101 2169	Verschraubung	screwing	collegamento	vissa
21	62.4583	Rohr Regler-Brenner	tube regulator-burner	tubo regolatore-bruciatore	tuya
22	72.7748	Gegenmutter	counter nut	contro dado	cont
23	712 044 120.05	Kepsmutter M5	capture nut M5	dado M5	écro
24	72.7801.XX	Düse XX: siehe Düsentabelle	nozzle XX: see table of nozzle	ugello XX: vedere tabella di ugello	gicle XX:
25	1 116 1151	Büchse	bushing	boccola	cous
26	1 701 2509	Schraube M5X12	screw M5X12	vite M5X12	vis M
27	752 040 110.01	Zündbrenner	ignition burner	accenditore	brûle
28	1 701 2507	Schraube M5x10	screw M5x10	vite M5x10	vis M
29	1 701 3535	Unterlegscheibe 5.3x10x1	washer 5.3x10x1	rondella 5.3x10x1	rond
30	752 040 111	Zündkerze	spark plug	candela dell'accenditore	boug
31	62.1571	Zündkabel	ignition cable	cavo dell'accenditore	câbl
32	712 345056.XX	Pilotdüse XX: siehe Düsentabelle	ignition burner nozzle XX: see table of nozzle	ugello d'accenditore XX: vedere tabella di ugello	gicle XX:
33	62.4349	Bedienblende	filler	copertura	band
	62.4350	Bedienblende	filler	copertura	band
34	62.4041	Isolierplatte	plaque isolante	placca d'isolamento	insul
35	1 115 1101	Piezozünder	Piezo ignitor	accenditore piezoelettrico	piezo
36	1 701 1083	Schraube M3x40	screw M3x40	vite M3x40	vis M
37	1 701 3057	Mutter M3	nut M3	dado M3	écro
38	62.1532	Erdungskabel	earth cable	cavo di terra	câbl
39	62.4407	Grundplatte Zündung	base plate ignition	lamiera di fondo accenditore	tôle
40	62.3566.01	Griff	knob	manetta	poig
41	62.3832	Grundplatte Gas vorne	base plate gas front	lamiera di fondo gas davanti	tôle
42	62.4465	Griff	knob	manetta	poig
43	712 344 996	Sicherheitsshahn	safety valve	rubinetto di sicurezza	robin

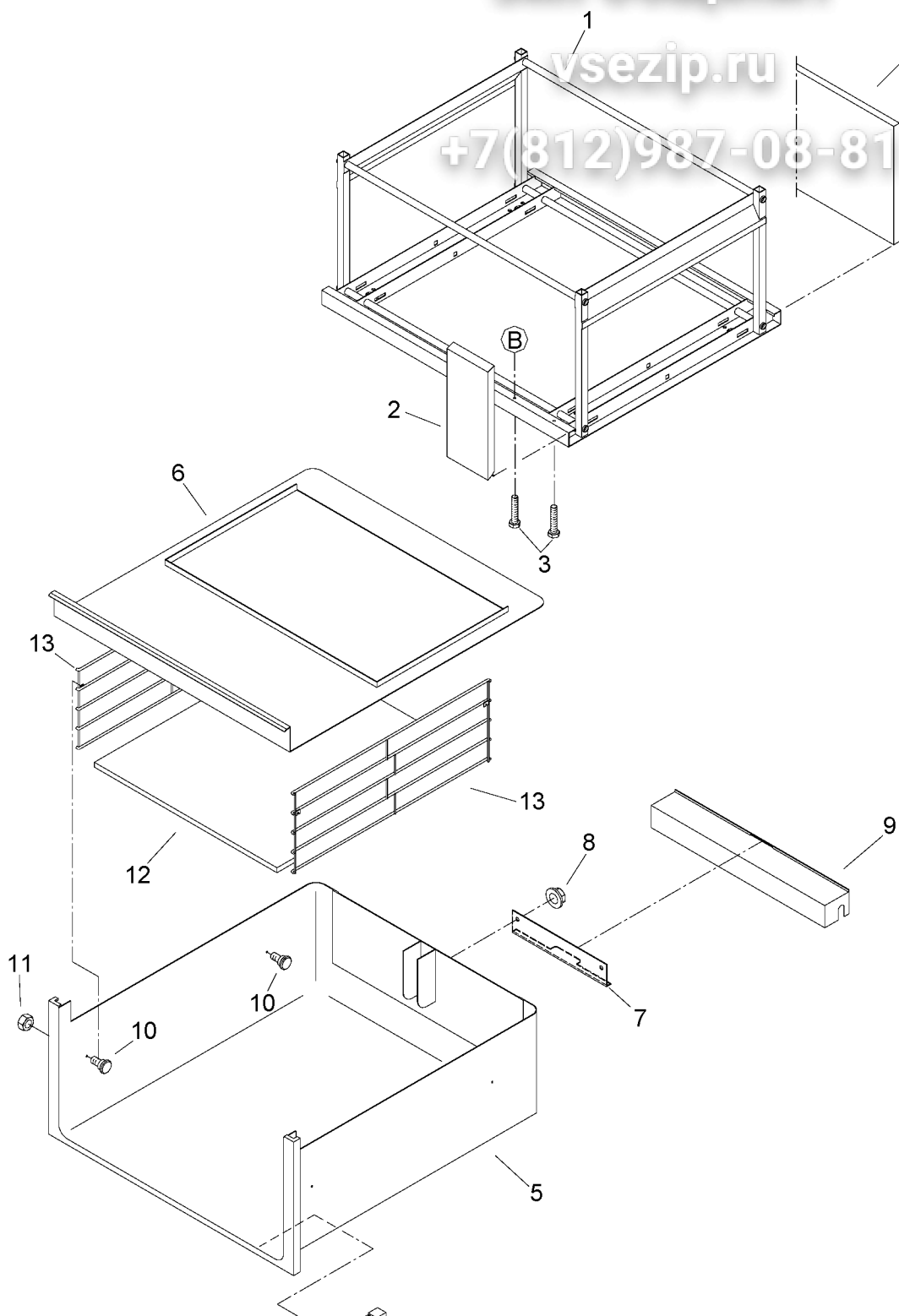
Зип Общепит
vsezip.ru
+7(812)987-08-81

62.9678.02-1		DE	GB	IT
		Bezeichnung	designation	designazione
		Gas Char Grill	gas char grill	griglia a gas
Pos.	Product No.	Oberbau	Superstructure	Sovrastruttura
44	712 344 972.03	Thermoelement	thermocouple	elemento a termocoppia
45	712 350 052.03	Überwurfmutter M20x1.5	union nut M20x1.5	dado a risvolto M20x1.5
46	62.4584	Rohr Regler-Zündbrenner	tube regulator-ignition burner	tubo regolatore-accenditore
47	62.4581.02	Rampe	ramp	rampa
	62.4581.01	Rampe	ramp	rampa
48	72.0259	Druckmessnippel	nipple pressure cage	raccordo manometro
49	1 117 1252	Kugelhahn	ball valve	valvola sferica
E		einseitig bedienbar	operated from one side	comando da un lato
W		an Wand stehend	against wall	contro la parete

Зип Общепит

vsezip.ru

+7(812)987-08-81



Зип Общепит

vsezip.ru

+7(812)987-08-81

62.9678.02-2		DE	GB	IT	FR
		Bezeichnung	designation	designazione	désignation
		Gas Char Grill	gas char grill	griglia a gas	grilloir à gaz
Pos.	Product No.	Unterbau	base	sottostruttura	substructure
1	62.4153.02	Gestell	frame	telaio	cadre
	62.4375	Gestell	frame	telaio	cadre
2	62.3537	Blende	filler	copertura	bandeau
3	1 701 2604	Schraube M6x50	screw M6x50	vite M6x50	vis M6x50
4	62.4574	Blende	filler	copertura	bandeau
	62.4564	Blende	filler	copertura	bandeau
5	62.4573	Korpus	box	corpo	corps
	62.4560	Korpus	box	corpo	corps
6	62.4576	Deckel	lid	coperchio	couvercle
	62.4565	Deckel	lid	coperchio	couvercle
7	62.4567	Winkel	angle	angolo	angle
8	712 044 120.05	Kepsmutter M5	capitre nut M5	dado M5	écrou M5
9	62.4577	Abstützung Korpus	support box	supporto corpo	support corps
	62.4568	Abstützung Korpus	support box	supporto corpo	support corps
10	72.6088	Bolzen	bolt	bullone	goujons
11	712 044 120.04	Kepsmutter M4	capitre nut M4	dado M4	écrou M4
12	72.6087.01	Tablarhalter	shelf fixation	fissaggio di mensola	fixation pour rayonna
13	62.3565	Klemmstück	fitting part	pezzo serrante	pièce de serrage

* E = einseitig / W = wandseitig

Зип Общепит

vsezip.ru

+7(812)987-08-81

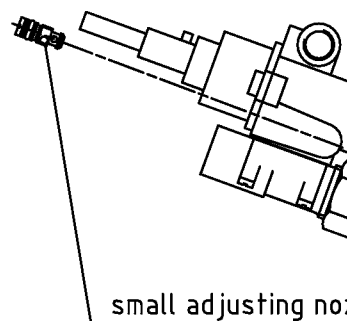
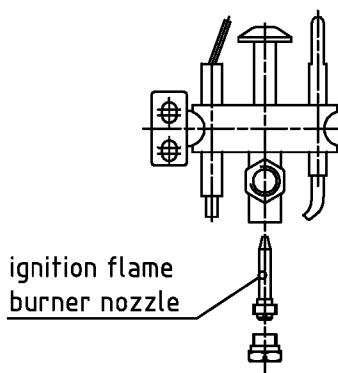
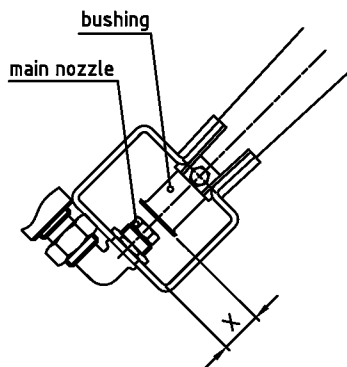
 **Electrolux**

62.9678.02-3

Düsentabelle - Table of nozzle - Tabella di ugello - Tableau de jig

Chargrill (11kW) thermaline S90

	Gas type	Nominal pressure	Category	Main flame		Small flame	
				mm	No.	mm	No.
Natural gases	1 Natural gas H	18-20 / 20	2H	2,35	72.7801.10	2,00	712 345 064.
	2 Natural gas E	20	2E	2,35	72.7801.10	2,00	712 345 064.
	3 Natural gas H / L	20 / 25	2+	2,35	72.7801.10	2,00	712 345 064.
	4 Natural gas L	25	2L	2,45	72.7801.11	2,00	712 345 064.
	5 Natural gas LL	20	2LL	2,65	72.7801.12	2,00	712 345 064.
Liquid gases	6	30	3P				
	7 Propane	37	3P	1,60	72.7803.06	1,20	712 345 064.
	8	50	3P	1,45	72.7801.05	1,00	712 345 064.
	9 Butane/Propane	28 - 30	3B/P	1,60	72.7801.06	1,20	712 345 064.
	10 Butane/Propane	50	3B/P	1,35	72.7801.04	1,00	712 345 064.
	11 Butane/Propane	28-30 / 37	3+	1,60	72.7801.06	1,20	712 345 064.
	12 Pressure pair	50 / 67	3+	1,35	72.7801.04	1,00	712 345 064.



Зип Общепит

vsezip.ru

+7(812)987-08-81

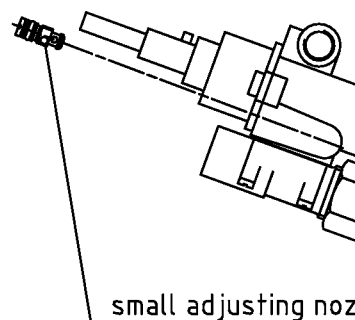
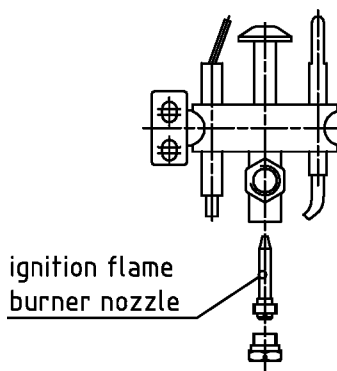
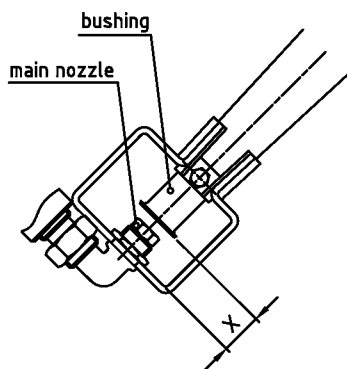
Electrolux

62.9678.02-3

Düsentabelle - Table of nozzle - Tabella di ugello - Tableau de c

Chargrill (22kW) thermaline S90

	Gas type	Nominal pressure	Category	Main flame		Small flame	
				mm	No.	mm	No.
Natural gases	1 Natural gas H	18-20 / 20	2H	2,35	72.7801.10	2,00	712 345 064.3
	2 Natural gas E	20	2E	2,35	72.7801.10	2,00	712 345 064.3
	3 Natural gas H / L	20 / 25	2+	2,35	72.7801.10	2,00	712 345 064.3
	4 Natural gas L	25	2L	2,45	72.7801.11	2,00	712 345 064.3
	5 Natural gas LL	20	2LL	2,65	72.7801.12	2,00	712 345 064.3
Liquid gases	6	30	3P				
	7 Propane	37	3P	1,60	72.7803.06	1,20	712 345 064.2
	8	50	3P	1,45	72.7801.05	1,00	712 345 064.2
	9 Butane/Propane	28 - 30	3B/P	1,60	72.7801.06	1,20	712 345 064.2
	10	50	3B/P	1,35	72.7801.04	1,00	712 345 064.2
	11 Butane/Propane	28-30 / 37	3+	1,60	72.7801.06	1,20	712 345 064.2
	12 Pressure pair	50 / 67	3+	1,35	72.7801.04	1,00	712 345 064.2



+7(812)987-08-81

thermaline S90 **GAS CHAR GRILL**
GAS HEATED CHAR GRILL
GRIGLIA A GAS
GRILLOIR À GAZ

MODEL CODE / PNC
freistehend, free standing , isolato, isolé einseitig bedienbar, operated from one side, comando un lato, utilisable d'un côté
ADGRAA0000 / 582438
ADGRHA0000 / 582439
ADGUAA0000 / 582442
ADGUHA0000 / 582443

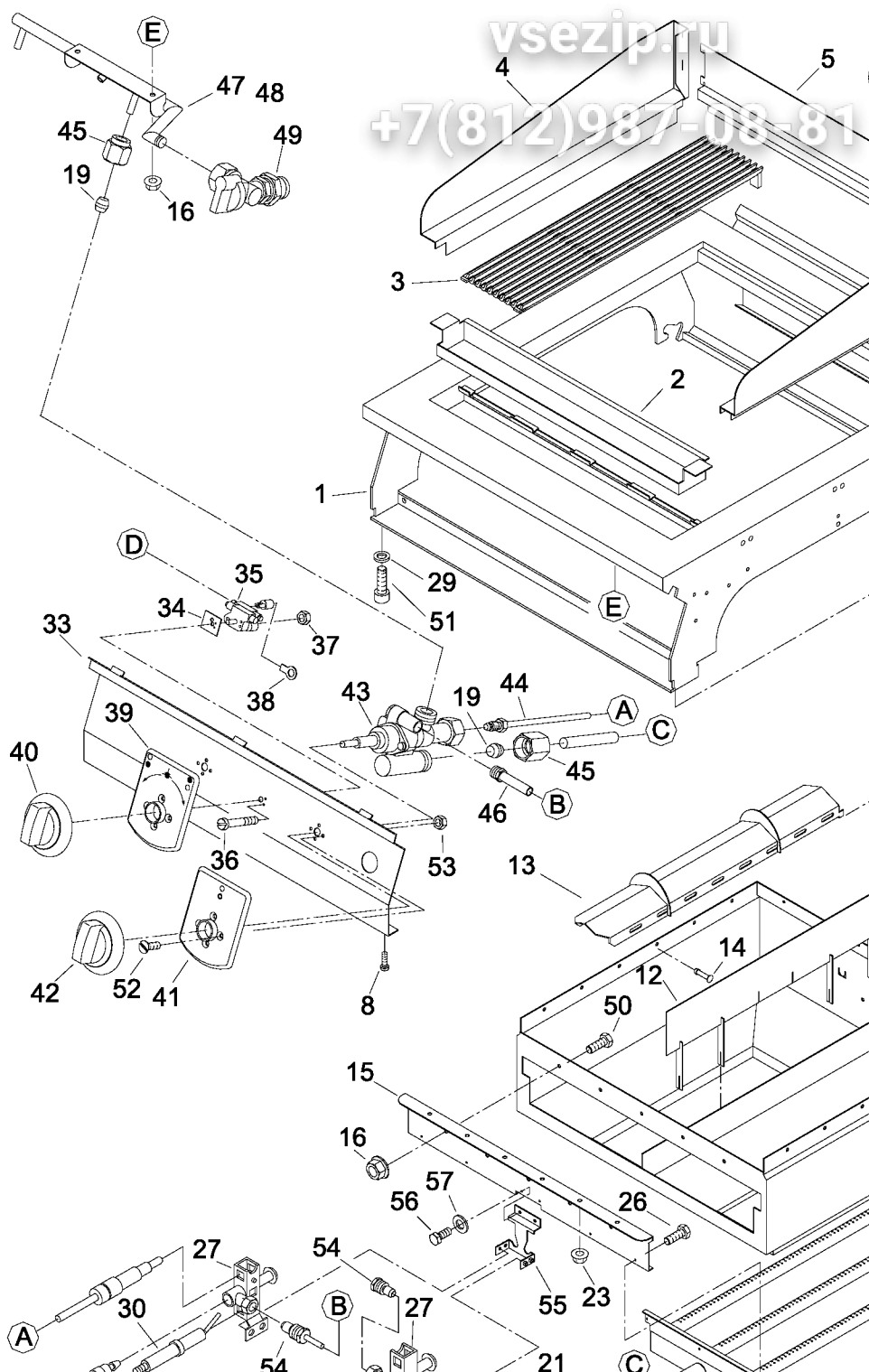
MODEL CODE / PNC
an Wand, against wall, contro la parete, contre cloison
ADGRAFO000 / 582440
ADGRHF0000 / 582441
ADGUAFO000 / 582444
ADGUHF0000 / 582445
ADGROIO000 / 582479
ADGUOIO000 / 582480

Series No.: starting from 401...

DE **ERSATZTEILLISTE**
GB **SPARE PARTS LIST**
IT **LISTA DEI PEZZI DI RICAMBIO**
FR **LISTE DES PIÈCES DE RECHANGEMENT**

vsezip.ru

+7(812)987-08-81



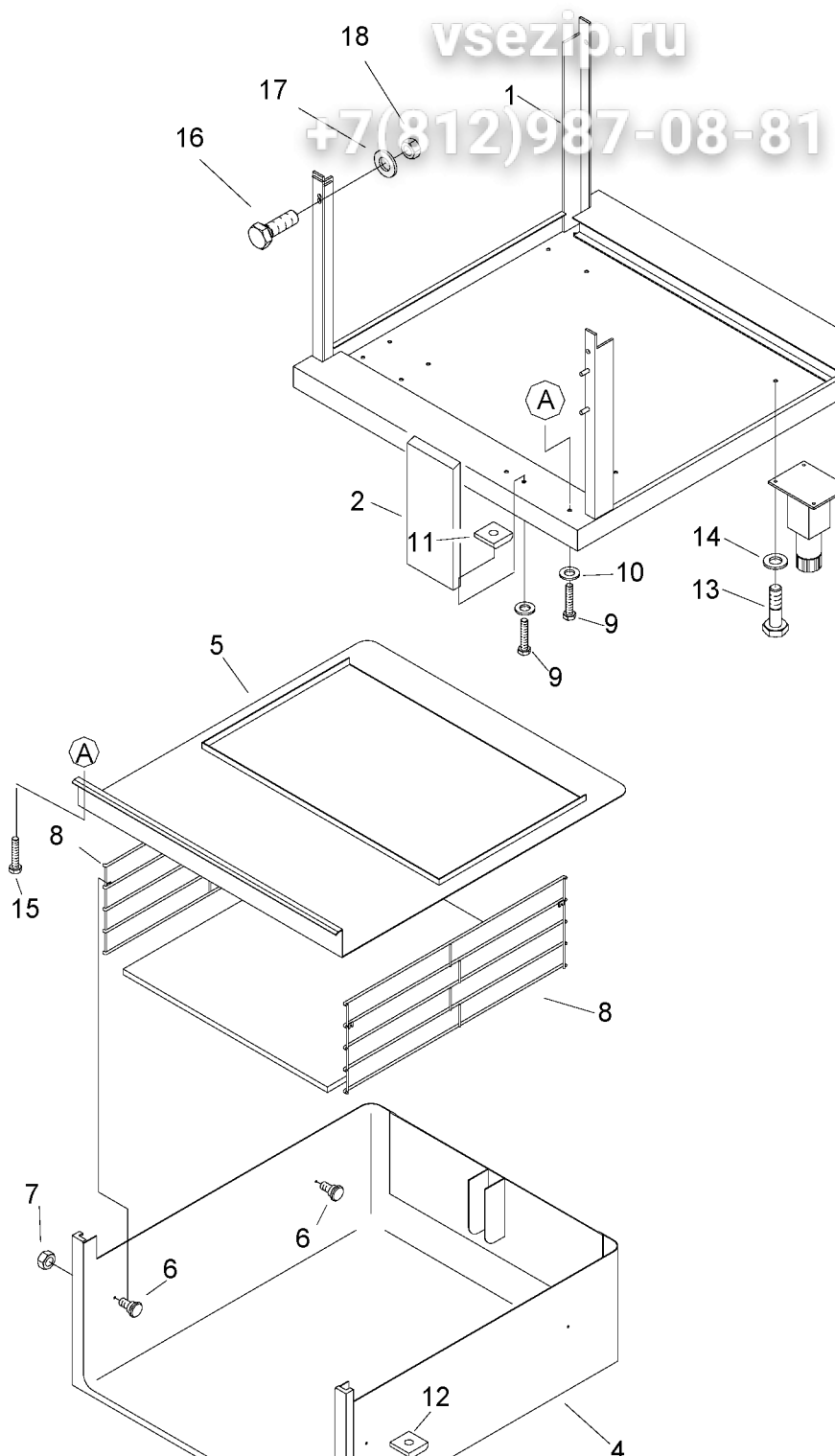
62.9678.02-1(2)		DE	GB	
		Bezeichnung	designation	
		Gas Char Grill	gas char grill	
Pos.	Product No.	Oberbau	Superstructure	
1	62.5293.01	Oberteil	top	parte
	62.5293.02	Oberteil	top	parte
	62.5053.01	Oberteil	top	parte
	62.5053.02	Oberteil	top	parte
2	62.5217.02	Auffangschale	collector tray	bacin
	62.5217.01	Auffangschale	collector tray	bacin
3	1 110 1351	Grillrost	grill plate	placc
	1 110 1352	Grillrost	grill plate	placc
4	62.5219.01	Spritzschutz links	splashguard left	lamie
5	62.5218.02	Spritzschutz hinten	splashguard rear	lamie
	62.5218.01	Spritzschutz hinten	splashguard rear	lamie
6	62.5219.02	Spritzschutz rechts	splashguard right	lamie
7	62.5002.08	Blende	filler	coper
	62.5002.05	Blende	filler	coper
8	10 3179	Schraube M5X12	screw M5X12	vite M
9	12 9827	Bride	shackle	brida
10	1 115 1417	Schlauch	hose	tubo f
11	62.5382	Brennkammer	combustion chamber	came
	62.5224	Brennkammer	combustion chamber	came
12	62.4572	Trennwand	partition wall	separ
13	62.4600	Abdeckung Brenner	cover plate burner	coper
14	1 701 1547	Niete 3.2x5.0	rivet 3.2x5.0	rivetta
15	62.5301	Brennerhalter	burner support	suppo
	62.5228	Brennerhalter	burner support	suppo
16	712 044 120.06	Kepsmutter M6	capitre nut M6	dado
17	62.2502	Brenner	burner	brucia
18	72.7102	Düsenhalter	nozzle support	suppo
19	712 345 053.01	Ring	ring	anello
20	1 101 2169	Verschraubung	screwing	colleg
21	62.4583	Rohr Regler-Brenner links	tube regulator-burner left	tubo r sinistr

62.9678.02-1(2)		DE	GB	
		Bezeichnung	designation	
		Gas Char Grill	gas char grill	
Pos.	Product No.	Oberbau	Superstructure	
	62.4756	Rohr Regler-Brenner rechts	tube regulator-burner right	tubo r destra
22	72.7748	Gegenmutter	counter nut	contro
23	712 044 120.05	Kepsmutter M5	captire nut M5	dado
24	72.7801.XX	Düse XX: siehe Düsentabelle	nozzle XX: see table of nozzle	ugello XX: v
25	1 116 1151	Büchse	bushing	bocco
26	1 701 2509	Schraube M5X12	screw M5X12	vite M
27	752 040 110.01	Zündbrenner	ignition burner	accel
28	1 701 2507	Schraube M5x10	screw M5x10	vite M
29	1 701 3535	Unterlegscheibe 5.3x10x1	washer 5.3x10x1	ronde
30	752 040 111	Zündkerze	spark plug	cande
31	62.1571	Zündkabel	ignition cable	cavo
32	712 345056.XX	Pilotdüse XX: siehe Düsentabelle	ignition burner nozzle XX: see table of nozzle	ugello XX: v
33	62.5119.01	Bedienblende	filler	coper
	62.5119.02	Bedienblende	filler	coper
34	62.4041	Isolierplatte	plaque isolante	placc
35	1 115 1101	Piezozünder	Piezo ignitor	accel
36	1 701 1083	Schraube M3x40	screw M3x40	vite M
37	1 701 3057	Mutter M3	nut M3	dado
38	62.1532	Erdungskabel	earth cable	cavo
39	62.4407	Grundplatte Zündung	base plate ignition	lamie
40	62.3566.01	Griff	knob	mane
41	62.3832	Grundplatte Gas vorne	base plate gas front	lamie
42	62.4465	Griff	knob	mane
43	712 344 996	Sicherheitshahn	safety valve	rubin
44	712 344 972.03	Thermoelement	thermocouple	elem

62.9678.02-1(2)		DE	GB	
		Bezeichnung	designation	
		Gas Char Grill	gas char grill	
Pos.	Product No.	Oberbau	Superstructure	
45	712 345 052.03	Überwurfmutter M20x1.5	union nut M20x1.5	dado
46	62.4584	Rohr Regler-Zündbrenner	tube regulator-ignition burner	tubo r
	62.4636	Rohr Regler-Zündbrenner	tube regulator-ignition burner	tubo r
47	62.5278.01	Rampe	ramp	rampa
	62.5278.02	Rampe	ramp	rampa
48	1 117 1272	Schlauch	hose	tubo f
49	1 117 1252	Kugelhahn	ball valve	valvol
50	GR40 186.1	Schraube M6X15	screw M6X15	vite M
51	1 701 2035	Zylinderkopfschraube M5x10	cylinder head screw M5x10	vite c M5x10
52	1 701 1028	Schraube M4X12	screw M4X12	vite M
53	712 044 120.04	Kepsmutter M4	captire nut M4	dado
54	72.7733	Anschlussstück	connection part	pezzo
55	62.5383	Halter Pilotbrenner	support ignition burner	soste
56	1 701 2507	Schraube M5x10	screw M5x10	vite M
57	1 701 7002	Fächerscheibe	serrated lock washer	ronde
E		einseitig bedienbar	operated from one side	com
W		an Wand stehend	against wall	cont

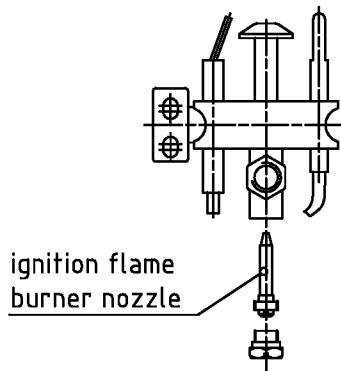
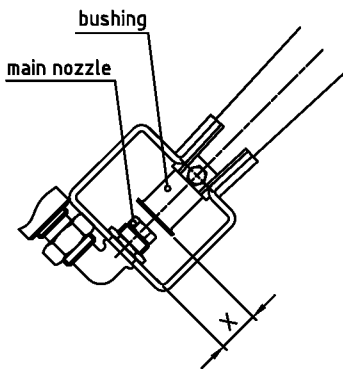
vsezip.ru

+7(812)987-08-81



62.9678.02-2(2)		DE	GB	
		Bezeichnung	designation	
		Gas Char Grill	gas char grill	
Pos.	Product No.	Unterbau	base	
1	62.4774.08	Gestell	frame	telaio
	62.4774.05	Gestell	frame	telaio
2	62.5068.01	Blende	filler	coper
3	62.5068.05	Blende	filler	coper
	62.5068.08	Blende	filler	coper
4	62.4817.44	Korpus H2	box H2	corpo
	62.5240.44	Korpus H1	box H1	corpo
	62.4817.42	Korpus H2	box H2	corpo
	62.5240.52	Korpus H1	box H1	corpo
5	62.4835	Deckel	lid	coper
	62.4836	Deckel	lid	coper
6	72.6088	Bolzen	bolt	bullon
7	712 044 120.04	Kepsmutter M4	captire nut M4	dado
8	72.6087.02	Tablarhalter	shelf fixation	fissag
9	1 701 2569	Schraube M6x16	screw M6x16	vite M
10	1 701 5051	Fächerscheibe M6	serrated lock washer M6	rondel
11	62.5541	Befestigungsplatte	fixation plate	placc
12	1 701 2761	Fuss	foot	pede
13	1 701 2582	Schraube M8x16	screw M8x16	vite M
14	1 701 5049	Fächerscheibe M8	serrated lock washer M8	rondel
15	12.0126	Schraube M5x12	screw M5x12	vite M
16	1 701 2525	Schraube M8x16	screw M8x16	vite M
17	1 701 5049	Fächerscheibe M8	serrated lock washer M8	rondel
18	1 701 3044	Mutter M8	nut M8	dado
E		einseitig bedienbar	operated from one side	com
W		an Wand stehend	against wall	cont

	Gas type	Nominal pressure	Category	Main flame		mm
				mm	No.	
Natural gases	1 Natural gas H	18-20 / 20	2H	2,35	72.7801.17	2,0
	2 Natural gas E	20	2E	2,35	72.7801.17	2,0
	3 Natural gas H / L	20 / 25	2+	2,35	72.7801.17	2,0
	4 Natural gas L	25	2L	2,45	72.7801.11	2,0
	5 Natural gas LL	20	2LL	2,65	72.7801.32	2,0
Liquid gases	6	30	3P			
	7 Propane	37	3P	1,60	72.7803.29	1,2
	8	50	3P	1,45	72.7801.01	1,0
	9 Butane/Propane	28 - 30	3B/P	1,60	72.7801.29	1,2
	10	50	3B/P	1,35	72.7801.28	1,0
	11 Butane/Propane	28-30 / 37	3+	1,60	72.7801.29	1,2
	12 Pressure pair	50 / 67	3+	1,35	72.7801.28	1,0



	Gas type	Nominal pressure	Category	Main flame		mm
				mm	No.	
Natural gases	1 Natural gas H	18-20 / 20	2H	2,35	72.7801.17	2,0
	2 Natural gas E	20	2E	2,35	72.7801.17	2,0
	3 Natural gas H / L	20 / 25	2+	2,35	72.7801.17	2,0
	4 Natural gas L	25	2L	2,45	72.7801.11	2,0
	5 Natural gas LL	20	2LL	2,65	72.7801.32	2,0
Liquid gases	6	30	3P			
	7 Propane	37	3P	1,60	72.7803.29	1,2
	8	50	3P	1,45	72.7801.01	1,0
	9 Butane/Propane	28 - 30	3B/P	1,60	72.7801.29	1,2
	10 Butane/Propane	50	3B/P	1,35	72.7801.28	1,0
	11 Butane/Propane	28-30 / 37	3+	1,60	72.7801.29	1,2
	12 Pressure pair	50 / 67	3+	1,35	72.7801.28	1,0

