

Зип Общепит

vsezip.ru

**RIGID MOUNTED INDUSTRIAL WASHER  
EXTRACTORS**

**Favor.it 10-12kg**

**SPARE PARTS MANUAL**

**523329 C**

**Publication date: 12 Aug 2011**

**Зип Общепит**

**vsezip.ru**

**+7(812)987-08-81**

## PREFACE

Original or identical parts must be used for replacement in the machine. After servicing replace secure all panels in original way and keep this manual in a secured place for future reference.

When calling or writing about your machine, be sure to mention type, model and serial number. Model, type and serial number are located on name plate on rear of the machine or on the last manual page.

The manufacturer reserves himself the right to change the specifications of manual at any time, without previous notice. The data and presentation are given only for information.

Please note that it regards only general information, since it is impossible to give in the manual the complete survey of all specific details on all the machines included in our line.

The spare parts manual is for machines with capacity:  
10-12 kg as from serial number 10R017806RT.

## CONTENTS

521593A.....	Frame .....	7
521594B.....	Cabinet .....	9
533019A.....	Control panel .....	11
520778B.....	Top cover .....	13
504627F.....	Door .....	15
521450A.....	Door lock.....	17
527057C .....	Rear panel .....	19
504626D .....	Tub and drum .....	23
513349C .....	Drive .....	25
520788B.....	Soap hopper, drain system.....	27
521596A.....	Trunnion .....	29

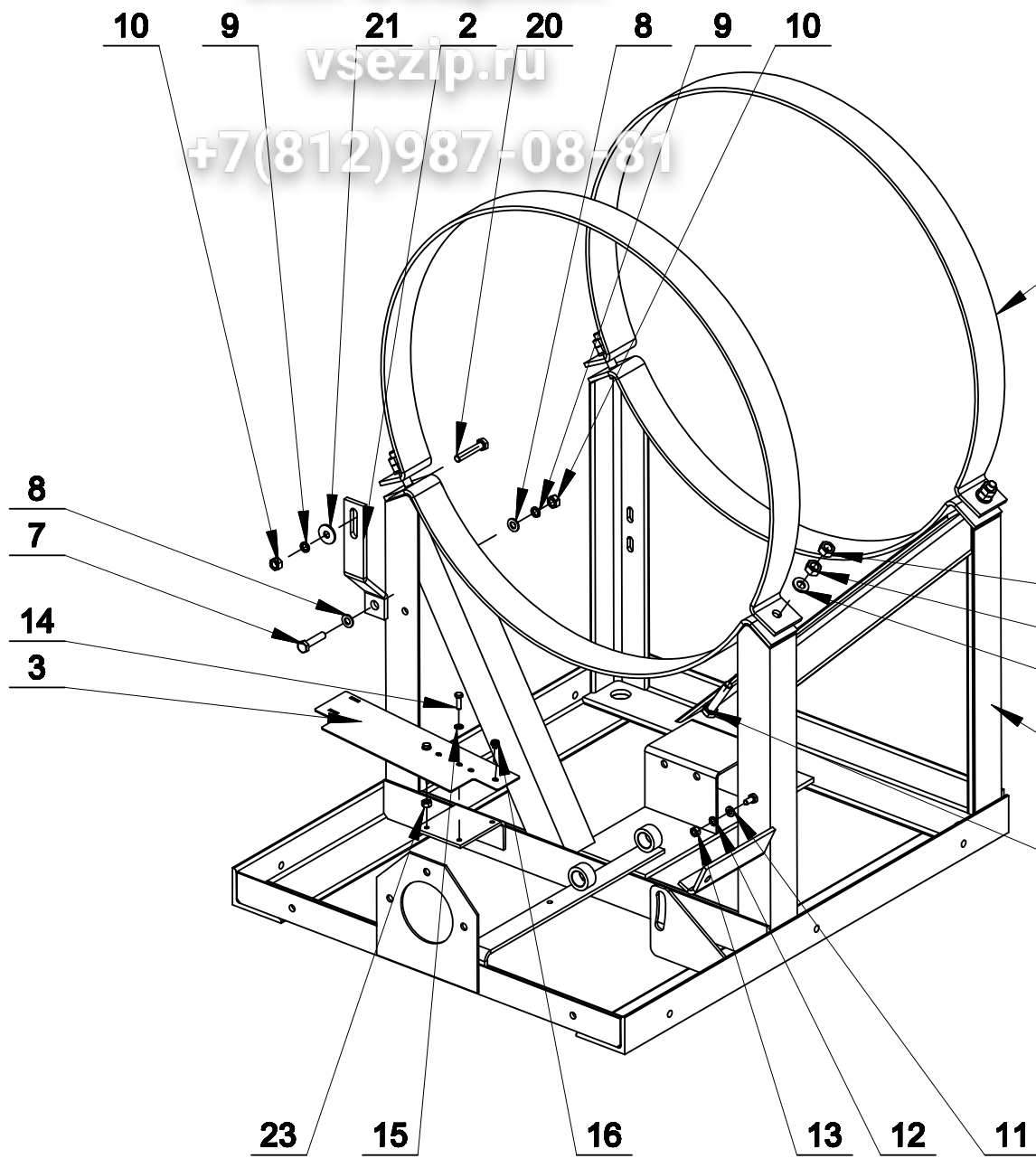
**Зип Общепит**  
**vsezip.ru**  
**+7(812)987-08-81**

**Зип Общепит**  
**vsezip.ru**  
**+7(812)987-08-81**

# Зип Общий FRAME

vsezip.ru

+7(812)987-08-87

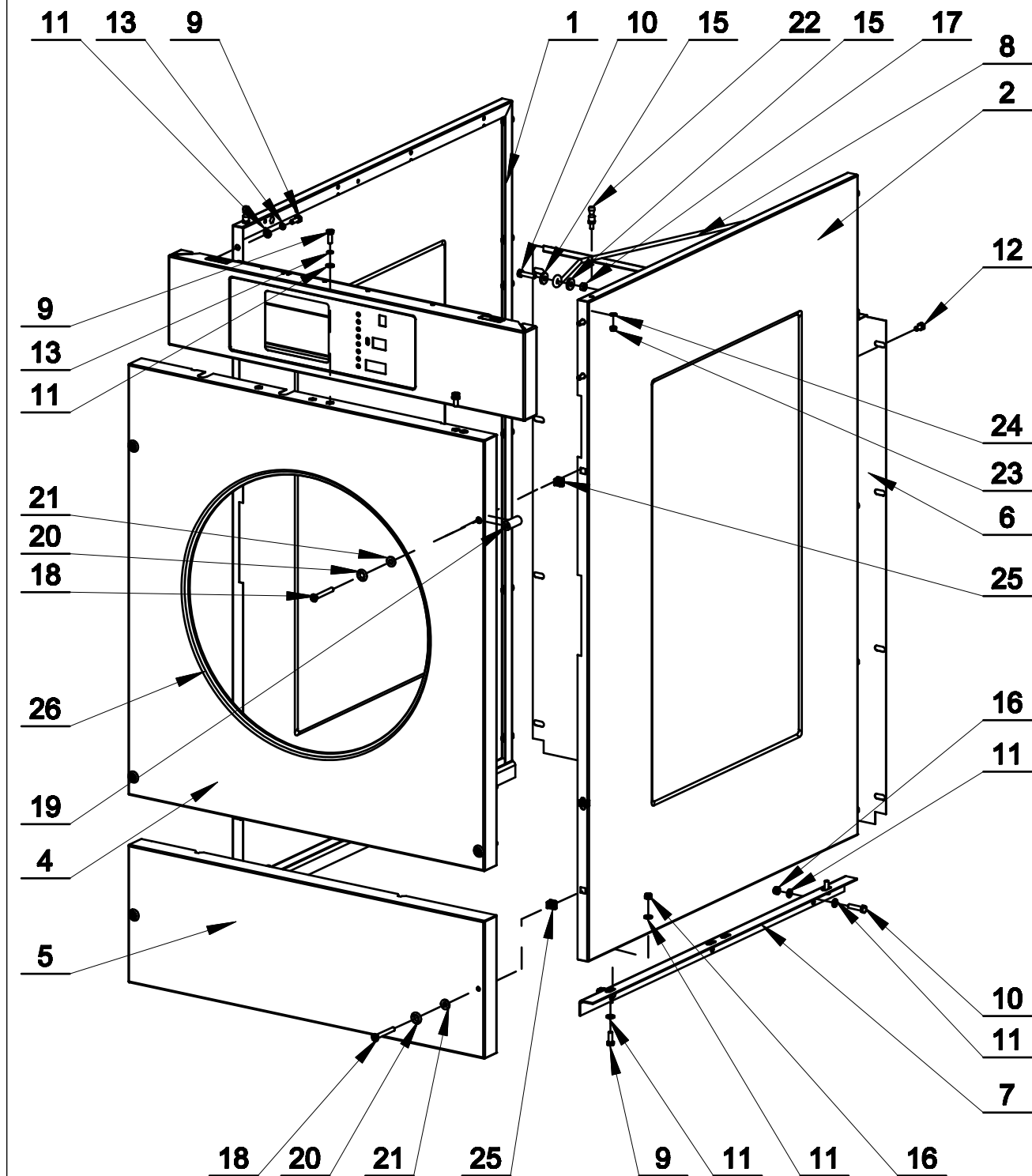




CABINET  
Зип Общепит

vsezip.ru

+7(812)987-08-81



521 594 B



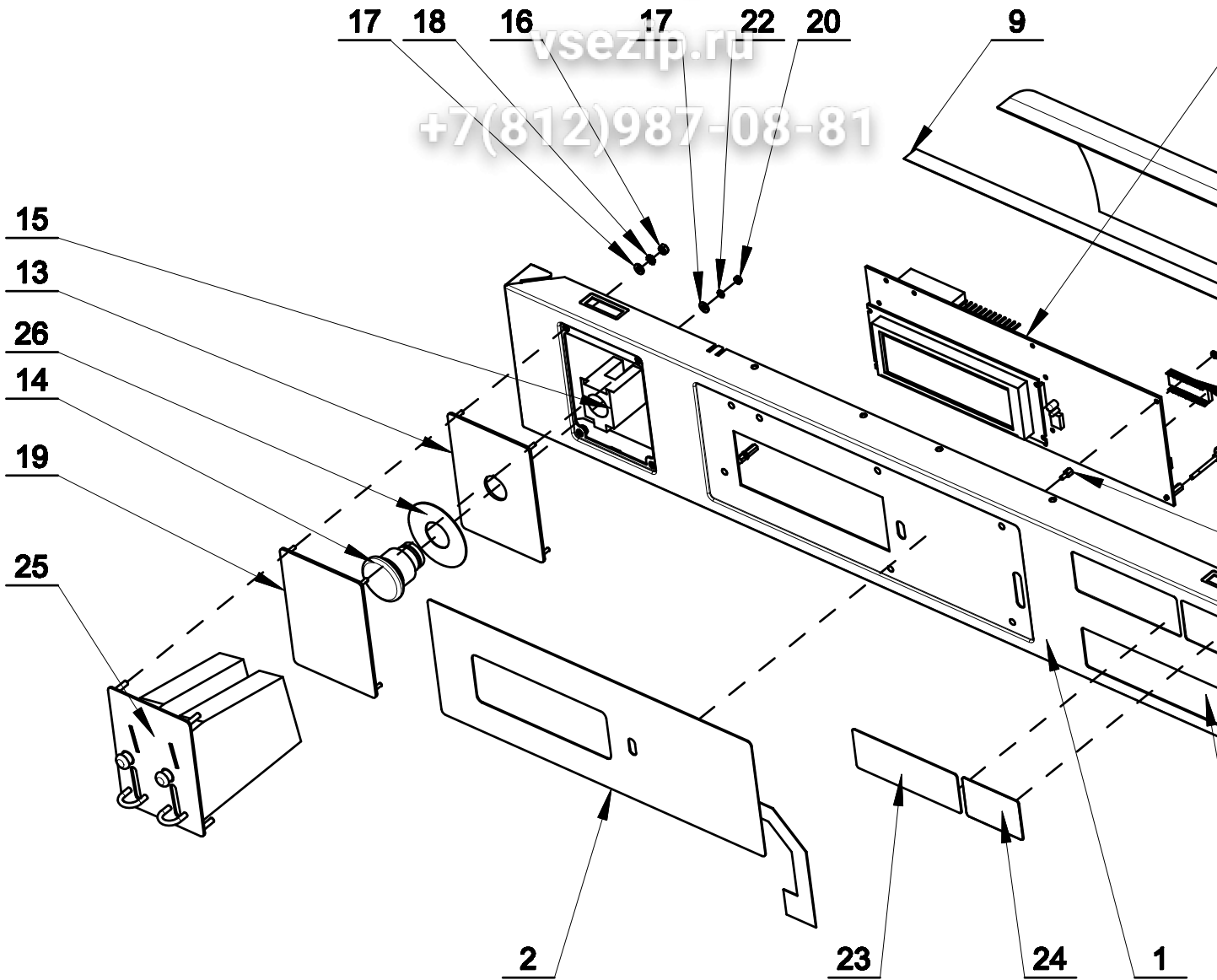
1	537792	Left side panel complete, painted, black		
2	537793	Right side panel complete, painted, black		
4	521580	Front panel complete, stainless steel imitation		
5	521581	Service panel, stainless steel imitation		
6	R10100011211	Rear cover		
7	R10114002113	Support for side panels		
8	PRI610000078	Draw bar		
9	309933000616	Bolt M6x16		
10	309933000625	Bolt M6x25		
11	311125000006	Washer 6,4		
12	506012	Bolt M6x10		
14	311679800006	Lock washer external teeth M6		
15	311734900006	Washer M6		
16	310985000006	Nut M6		
17	310934000006	Nut M6		
18	309966240650	Bolt M6x50		
19	R07114002414	Distance tube		
20	PRI247000001	Washer M6		
21	PRI521002001	Washer 15x7x2		
22	PRI611000023	Pin		
23	310985000005	Nut M5		
24	311125000005	Washer 5,3		
25	PRI229000004	Nut M6		
26	PRI505000058	Profiled sealing		

# CONTROL PANEL

Зип Общепит

vsezip.ru

+7(812)987-08-81

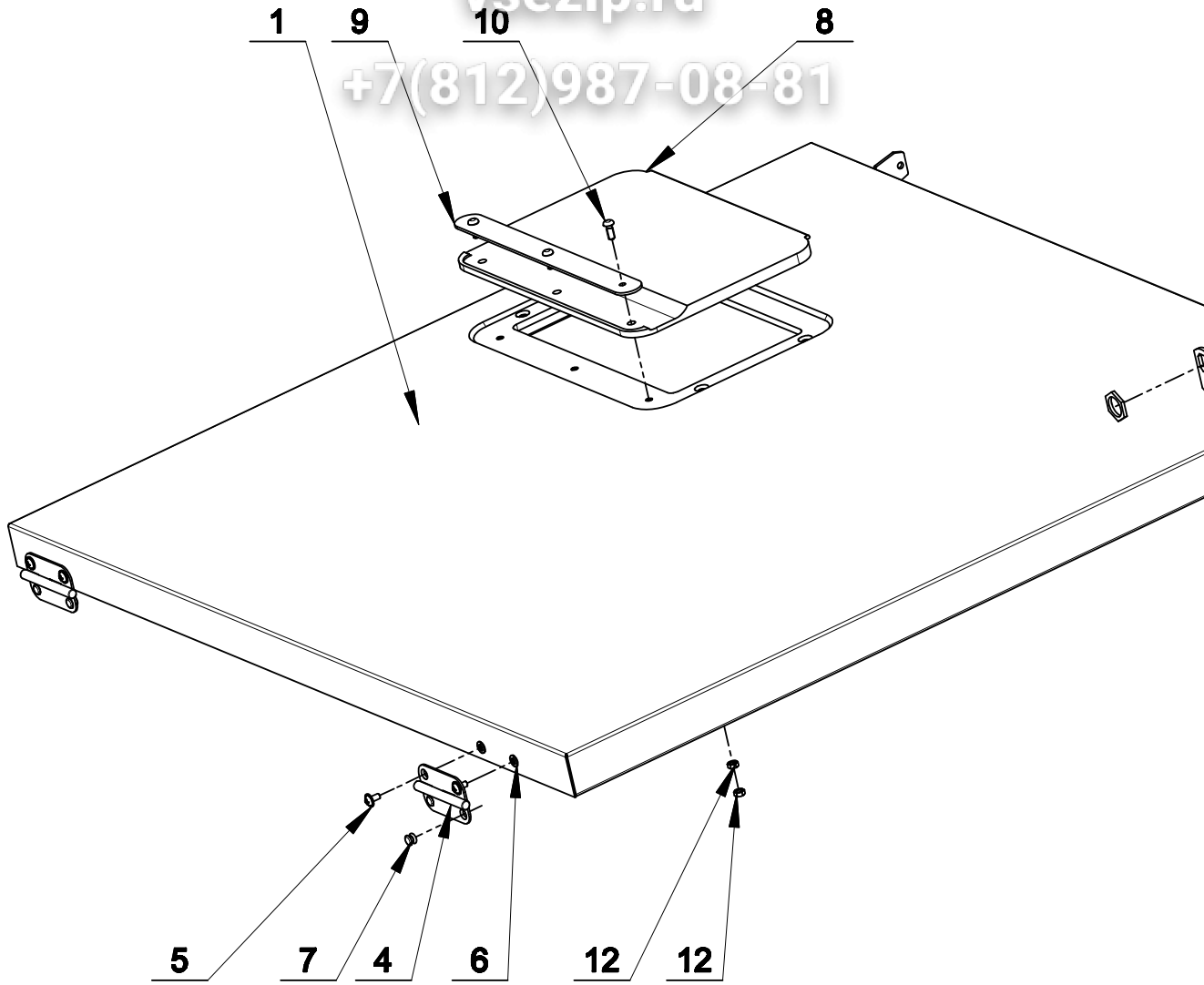


1	537790	Control panel		
2	527276	Keyboard		
3	526004	Control board Easy Control, version MC5 EC		
4	526001	Memory		
5	102127	Spacer M3x12x7		
6	311679824003	Washer M3		
7	101041	Knurled thumb screw with collar M3x30		
8	PRI543000004	Plastic cover		
9	510846	Adhesive tape reversible		
10	-	Not on your model		
12	-	Not on your model		
13	-	Not on your model		
14	-	Not on your model		
15	-	Not on your model		
16	-	Not on your model		
17	-	Not on your model		
18	-	Not on your model		
19	-	Not on your model		
20	-	Not on your model		
22	-	Not on your model		
23	-	Not on your model		
24	-	Not on your model		
25	-	Not on your model		
26	-	Not on your model		

# Зип Общий TOP COVER

vsezip.ru

+7(812)987-08-81



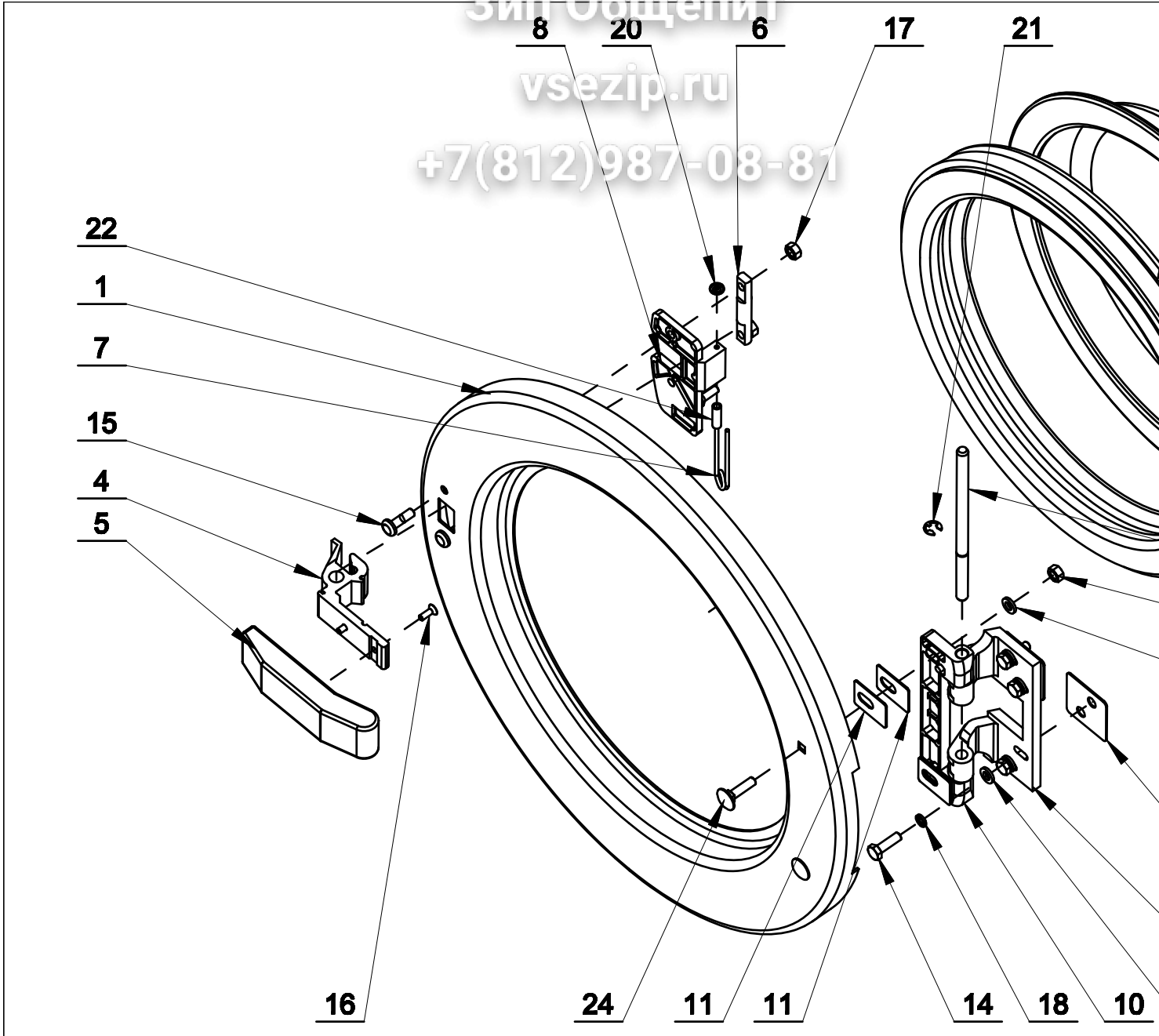
vsezip.ru

+7(812)987-08-81

1	517977	Top cover		
2	PRI610000007	Short lock		
3	PRI522000012	Washer 21x27x1		
4	516832	Hinge		
5	521957	Bolt M4x12		
6	313251002104	Riveting nut M4		
7	313250004063	Rivet 4x6,3		
8	PRI505038027	Rubber cover soap hopper		
9	F01121000214	Lath		
10	PRI211000033	Bolt M4x12		
12	310934240004	Nut M4		
13	PRI610003923	Doorlock key		
14	PRI610002007	Hook lock short		

Зип Общепит  
vsezip.ru  
+7(812)987-08-81

DOOR



vsezip.ru

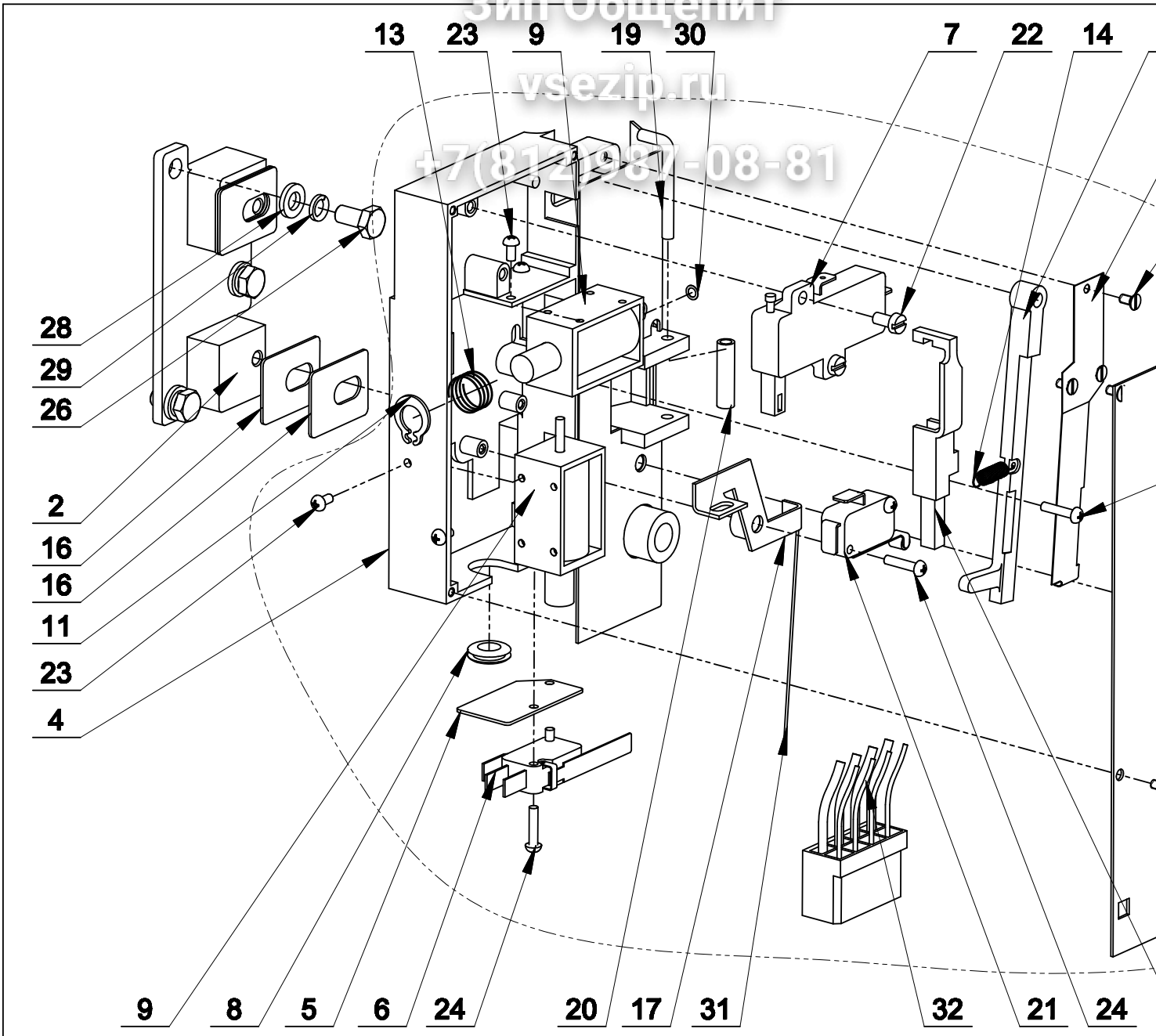
+7(812)987-08-81

1	100415	Round door		
2	PRI503000001	Door glass		
3	PRI503000004	Door glass rubber		
4	100219	Handle lever		
5	509869	Handle		
6	PRI610000089	Handle shaft		
7	PRI611000045	Handle spring		
8	PRI610000082	Handle holder		
9	PRI609000106	Hinge shaft		
10	PRI610010126	Loose part hinge		
11	PRI610001122	Fixed side shim		
12	PRI610000122	Fixed part hinge		
13	PRI610011026	Loose side shim		
14	309933240620	Bolt M6x20		
15	PRI212000032	Bolt M6x20		
16	100305	Bolt M4x12 (round door)		
17	310934240006	Nut M6		
18	311127240006	Washer M6		
19	311125240006	Washer M6		
20	PRI247010013	Securing washer		
21	PRI242000006	Retaining ring 6		
22	319300006001	Hadička 6x1		
24	516877	Bolt M6x25		
-	245704003021	Glue for sticking the bolts - pos. 15, 24, (not shown)		
-	PRI704000022	Glue for sticking the bolt - pos. 14, (not shown)		

# DOOR LOCK

Зип Общепит  
vsezip.ru

+7(812)987-08-81





vsezip.ru

+7(812)987-08-81

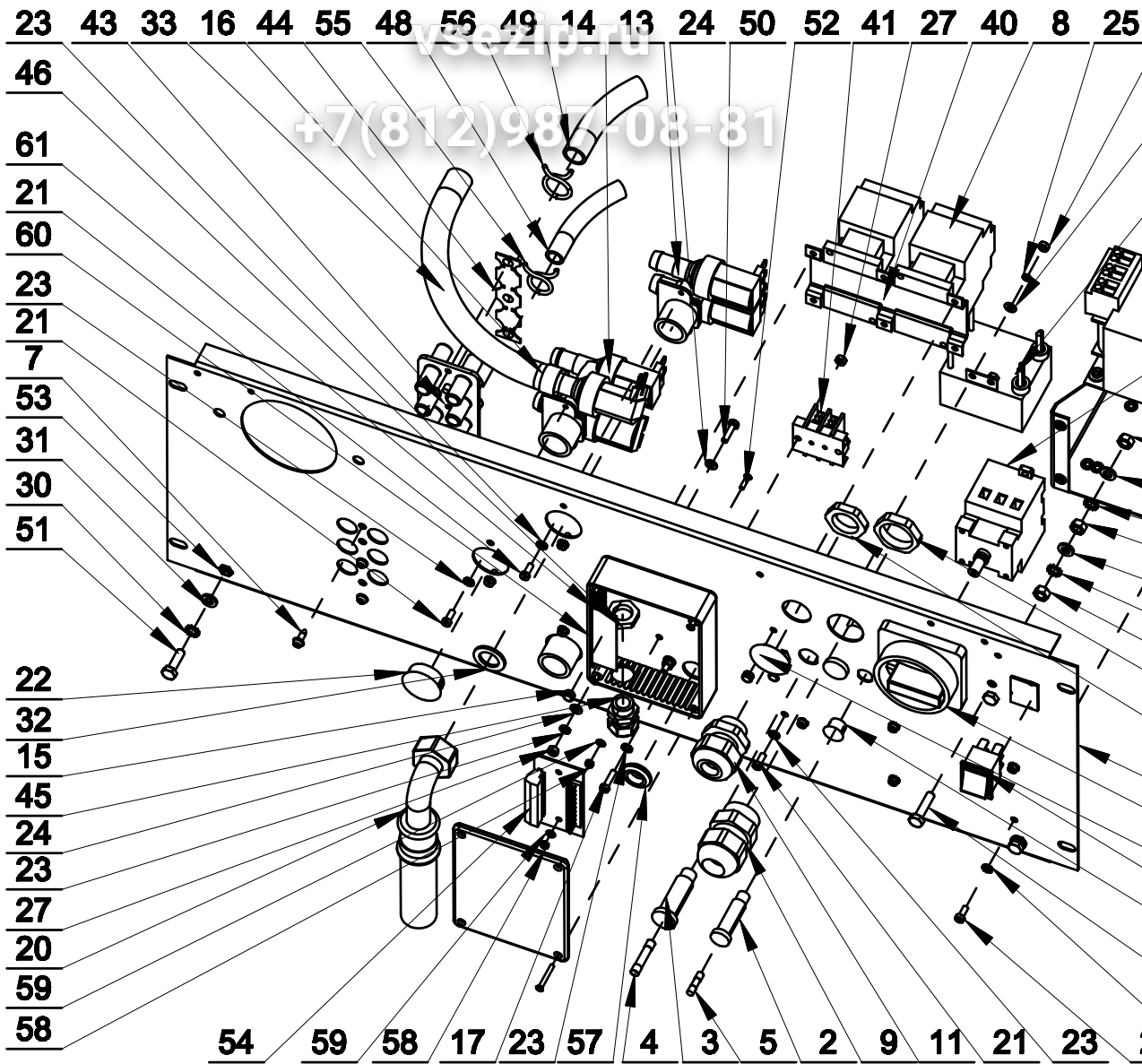
1	PRI610060077	Door lock complete		
2	PRI610000086	Lock intermediate part		
4	PRI610000132	Door lock		
5	101154	Isolation washer		
6	PRI610011077	Microswitch		
7	PRI346000003	Bimetal		
8	273121008002	Rubber protection		
9	PRI610012077	Coil		
10	PRI611000047	Leaf spring		
11	PRI242000013	Retaining ring		
12	PRI610000087	Small lock hook		
13	PRI611000050	Spring coil		
14	PRI611000048	Spring		
15	PRI610000134	Locking handle part		
16	PRI610001122	Fixed side shim		
17	PRI610000135	Emergency opening lever		
18	M07124000114	Protection plate, St. St.		
19	PRI610000090	Lock spindle		
20	PRI610000091	Lock tube		
21	PRI610032077	Microswitch		
22	309084000408	Bolt M4x8		
23	309798500306	Bolt M3x6		
24	309798500314	Bolt M3x14		
25	309798524525	Bolt M5x25		
26	309933240612	Bolt M6x12		
27	309963240306	Bolt M3x6		
28	311125240006	Washer M6		
29	311127240006	Washer M6		
30	PRI230000007	Washer 5,1x3,3x0,1		
31	PRI723000004	Emergency opening cord		
32	RM4710001428	Doorlock wiring		
-	245704003021	Glue for sticking the bolt,	(not shown)	
-	PRI704000050	Glue,	(not shown)	
-	PRI704000022	Glue for sticking the bolt - pos. 26,	(not shown)	

# REAR PANEL

Зип Общепит

vszip.ru

+7(812)987-08-81



1	520739	Rear panel	Panneau arrière	Heckpaneel
1	527180	Rear panel, stainless steel	Panneau arrière inox	Heckpaneel NiRo- Stahl
2	PRI401001020	Fuse holder	Porte fusible	Sicherungshalter
3	PRI401003020	Fuse holder	Porte fusible	Sicherungshalter
4	358251632263	Fuse 6,3A	Fusible 6,3A	Sicherung 6,3A
4	358251632240	Fuse 4A	Fusible 4A	Sicherung 4A
5	345805005020	Fuse 0,5A	Fusible 0,5A	Sicherung 0,5A
7	510856	Screw M4x13	Croû à vis M4x13	Holzschraube M4x13
8	514038	Contactor LC1-D09M7	Contacteur LC1 - D09 M7	Schütz LC1 - D09 M7
8	514042	Contactor LC1-D18M7	Contacteur LC1 - D18 M7	Schütz LC1 - D18 M7
8	PRI345002019	Contactor LC1-D32M7	Contacteur LC1 - D32 M7	Schütz LC1 - D32 M7
9	PRI350000057	Cable bushing PG21	Manchon pour câbles électriques PG21	Kabeldurchführung PG21
10	PRI350001057	Cable bushing nut PG21	Écrou du manchon pour câbles électriques PG21	Mutter Kabeldurchführung PG21
11	PRI350000056	Cable bushing PG16	Manchon pour câbles électriques PG16	Kabeldurchführung PG16
12	PRI350001056	Cable bushing nut PG16	Écrou du manchon pour câbles électriques PG16	Mutter Kabeldurchführung PG16
13	PRI340020035	Two way valve	Vanne à 2 voies	2-Weg-Ventil
14	PRI340030038	Three way valve	Vanne à 3 voies	3-Weg-Ventil
15	313250004063	Rivet 4x6,3	Vis 4x6,3	Schraube 4x6,3
16	PRI240000002	Hose clamp	Collier	Schlauchschele
17	309084000416	Bolt M4x16	Vis M4x16	Schraube M4x16
18	347700006175	Main switch knob	Organe de commande	Steuerelement
19	PRI404000097	Main switch 20A	Interrupteur général 20A	Hauptschalter 20A
19	506407	Fourth pole of main switch 20A	Interrupteur général, chauffage: 20A	4. Pol Hauptschalter, 20A
19	PRI404000098	Main switch 32A	Interrupteur général 32A	Hauptschalter 32A
19	PRI404001098	Fourth pole of main switch 32A	Interrupteur général, chauffage: 32A	4. Pol Hauptschalter, 32A
19	PRI404000099	Main switch 63A	Interrupteur général 63A	Hauptschalter 63A
19	PRI404001099	Fourth pole of main switch 63A	Interrupteur général, chauffage: 63A	4. Pol Hauptschalter, 63A
20	PRI505000054	Filling hose	Tuyau d'alimentation	Einlaßschlauch
20	101621	Filling hose, valid for water approval	Tuyau d'alimentation, valable pour l'approbat. de l'eau	Einlaßschlauch, Gültig für Wassergenehmigung
21	309084000410	Bolt M4x10	Vis M4x10	Schraube M4x10
22	PRI505000064	Plug	Bouchon	Stopfbuchse
23	311679800004	Lock washer external teeth M4	Rondelle à crans multiples M4	Unterlegscheibe M4
24	311125000004	Washer M4	Rondelle M4	Unterlegscheibe M4
25	311127000004	Washer M4	Rondelle M4	Unterlegscheibe M4
26	311902100004	Washer M4	Rondelle M4	Unterlegscheibe M4
27	310934000004	Nut M4	Écrou M4	Mutter M4
28	309933100625	Bolt M6x25	Vis M6x25	Schraube M6x25
29	310934100006	Nut M6	Écrou M6	Mutter M6
30	311679824006	Lock washer external teeth M6	Rondelle à crans multiples du bord interne M6	Fächerscheibe M6
31	311125240006	Washer M6	Rondelle M6	Unterlegscheibe M6
32	PRI520001009	Rubber ring	Joint	Dichtung
33	PRI540000014	Hose	Tuyau	Schlauch
33	101745	Hose, applicable for water approval	Tuyau, valable pour l'approbat. de l'eau	Schlauch, Gültig für Wassergenehmigung
34	514071	Filter	Filtre	Filter
35	100171	Transformer 115/230V	Transformateur 115/230V	Transformator 115/230V
35	100216	Transformer 115/230/400/440V	Transformateur 115/230/400/440V	Transformator 115/230/400/440V
36	520693	Transformer holder complete for transformer 115/230V	Support de transformateur plein pour le transformateur	Halter Trafo komplett 115/230V
36	521800	Transformer holder complete for transformer 115/230/400/440V	Support de transformateur plein pour le transformateur	Halter Trafo komplett 115/230/400/440V
38	PRI505003064	Plug	Bouchon	Stopfbuchse
39	100388	Programming switch	Coupleur de programmation	Umschalter Programmieren
40	522041	Contactor holder double	Support du rupteur - double	Schützhalter, -doppel
40	522015	Contactor holder	Support du rupteur	Schützhalter

**Зип Общепит**

**vsezip.ru**

**+7(812)987-08-81**

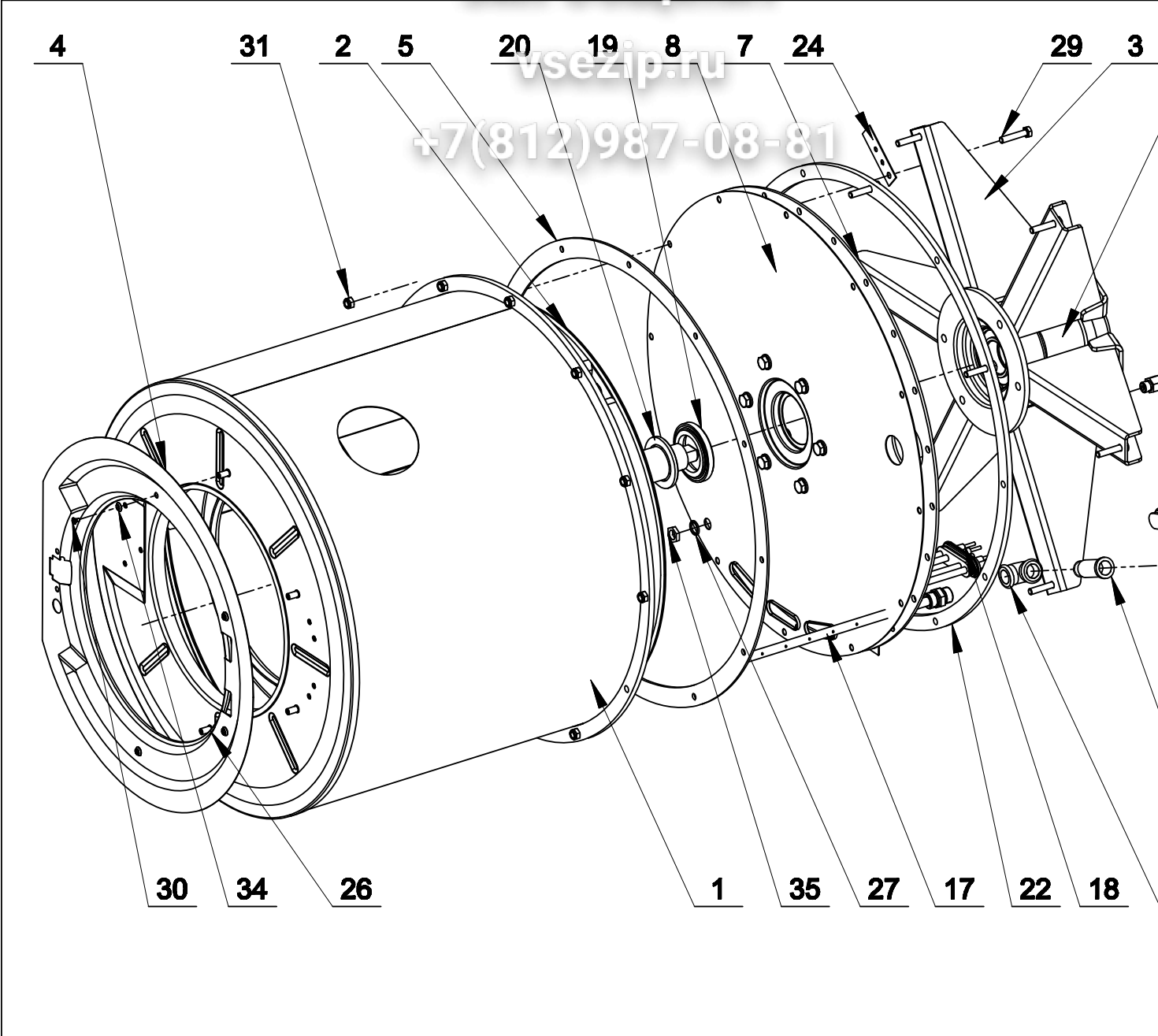
41	PRI350020007	Terminal board heating		Réglette de bornes	Klemmleiste
42	345900032132	Plug		Bouchon	Stopfbuchse
43	522090	Wall connection 6 hoses		Raccordement pour 6 lessives liquides	Anschluss von 6 flüssigen Waschmitteln
44	526128	Plate with thread		Cale filetée	Gewindelasche
45	101406	Cable bushing M16		Traversée de câble M16	Kabeldurchführung M16
46	101416	Cable bushing nut M16		Ecrou de la traversée de câble M16	Mutter der Kabeldurchführung M16
48	PRI540020005	Hose d10/14		Tuyau d10/14	Schlauch d10/14
49	522200	Hose		Tuyau	Schlauch
50	309933000416	Bolt M4x16		Vis M4x16	Schraube M4x16
51	309933000620	Bolt M6x20		Vis M6x20	Schraube M6x20
52	309963000312	Bolt M3x12		Vis M3x12	Schraube M3x12
53	313251000006	Nut M6		Ecrou M6	Mutter M6
54	524714	Terminal board		Plaque à bornes	Klemmleiste
55	526133	Clip d15,5-16		Attache d15,5-16	Schelle d15,5-16
56	526134	Clip d18,5-19,5		Attache d18,5-19,5	Schelle d18,5-19,5
57	273121013002	Cable bushing		Traversée de câble	Kabeldurchführung
58	310934000003	Nut M3		Ecrou M3	Mutter M3
59	311125000003	Washer 3		Rondelle 3	Unterlegscheibe 3
60	534273	Plastic box		Boîtier en plastique	Kunststoffkasten
61	524740	Electrical connection label			
-	PRI340004030	Inlet valve filter,	(not shown)		
-	520008	Label 2,5A/250V,	(not shown)	Écusson 2,5A/250V, (n'est pas représentée)	Schild 2,5A/250V, (nicht abgebildet)
-	500129	Label 6,3A/500V,	(not shown)	Écusson 6,3A/500V, (n'est pas représentée)	Schild 6,3A/500V, (nicht abgebildet)
-	500162	Label 4A/500V,	(not shown)	Écusson 4A/500V, (n'est pas représentée)	Schild 4A/500V, (nicht abgebildet)
-	527270	Label „Hot water“,	(not shown)		
-	527271	Label „Cold water soft“,	(not shown)		
-	527272	Label „Cold water hard“,	(not shown)		
-	230200007514	Label „Flash“, electrical device,	(not shown)		
-	PRI551010073	Serial label,	(not shown)	Étiquette de fabrication, (n'est pas représentée)	Werkschild (nicht abgebildet)
-	516715	Transparent foil,	(not shown)	Feuille transparente (n'est pas représentée)	Folie, durchsichtig (nicht abgebildet)
-	PRI551000047	Label „Exhaust“,	(not shown)	Écusson "Attention souffle" (n'est pas représentée)	Schild "Achtung, Abpuff" (nicht abgebildet)
-	PRI551000001	Earthing index plate 10,	(not shown)	Étiquette de mise à la terre 10, (n'est pas représentée)	
-	PRI551001001	Label „L1, L2, L3“,	(not shown)	Écusson„L1, L2, L3“, (n'est pas représentée)	Schild„L1, L2, L3“, (nicht abgebildet)
-	PRI551006001	Label „PE“,	(not shown)		

# ТUB AND DRUM

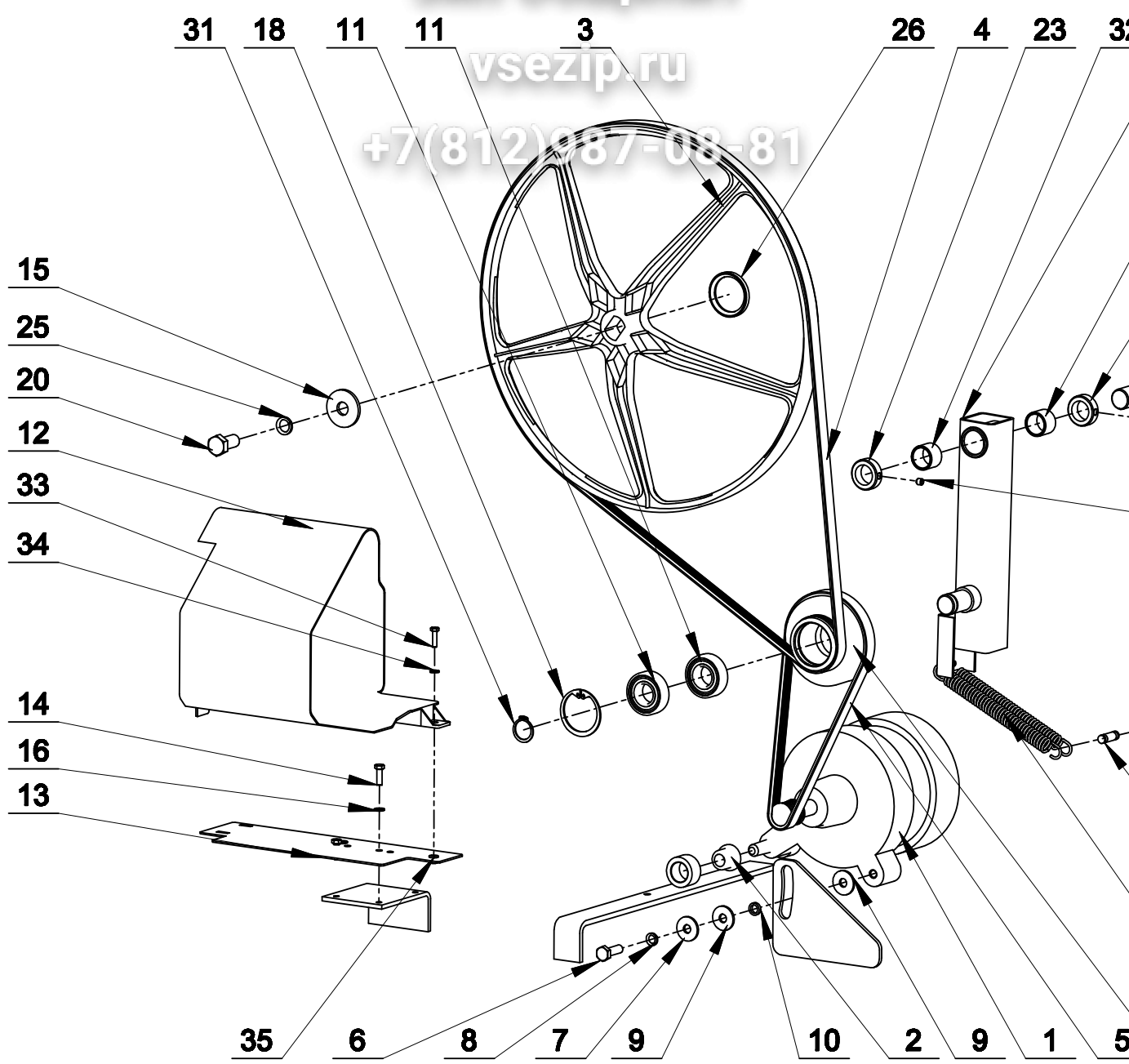
Зип Общий

vsezip.ru

+7(812)987-08-81



1	R10103000011	Tub (round door 10-12kg)		
2	515263	Drum (10-12kg)		
3	PRI185015001	Spoke (10-12kg)		
4	PRI163002016	Ornamental plate (round door)		
5	PRI505000001	Rubber sealing		
6	503839	Temperature sensor		
7	515259	Iron plate base (10-12kg)		
8	PRI155002107	Plate base with holes (10-12kg)		
10	R16105000011	Bearing house complete (10-12kg)		
18	540131	Heating element 4000W, l=350mm (10-12kg)		
19	PRI530020012	Axial seal (10-12kg)		
20	PRI530020013	Counter ring (10-12kg)		
21	PRI614000047	Thermostat sensor holder		
22	R07100010513	Ring		
24	PRI240000026	Motor wiring fixation plate		
26	PRI505000058	Protecting rubber		
27	PRI524000001	Seal ring		
28	309933000612	Bolt M6x12		
29	309933000840	Bolt M8x40		
30	309966240408	Bolt M4x8		
31	310985000008	Nut M8		
32	311125000006	Washer M6		
33	311679800006	Lock washer external teeth M6		
34	PRI247000003	Finishing washer M5		
35	PRI614000048	Sensor bushing nut		
-	245704003021	Glue for sticking the screw lock, (not shown)		
-	PRI704000056	Coating Scotch-Clad 776, for pos. 19, 20, (not shown)		





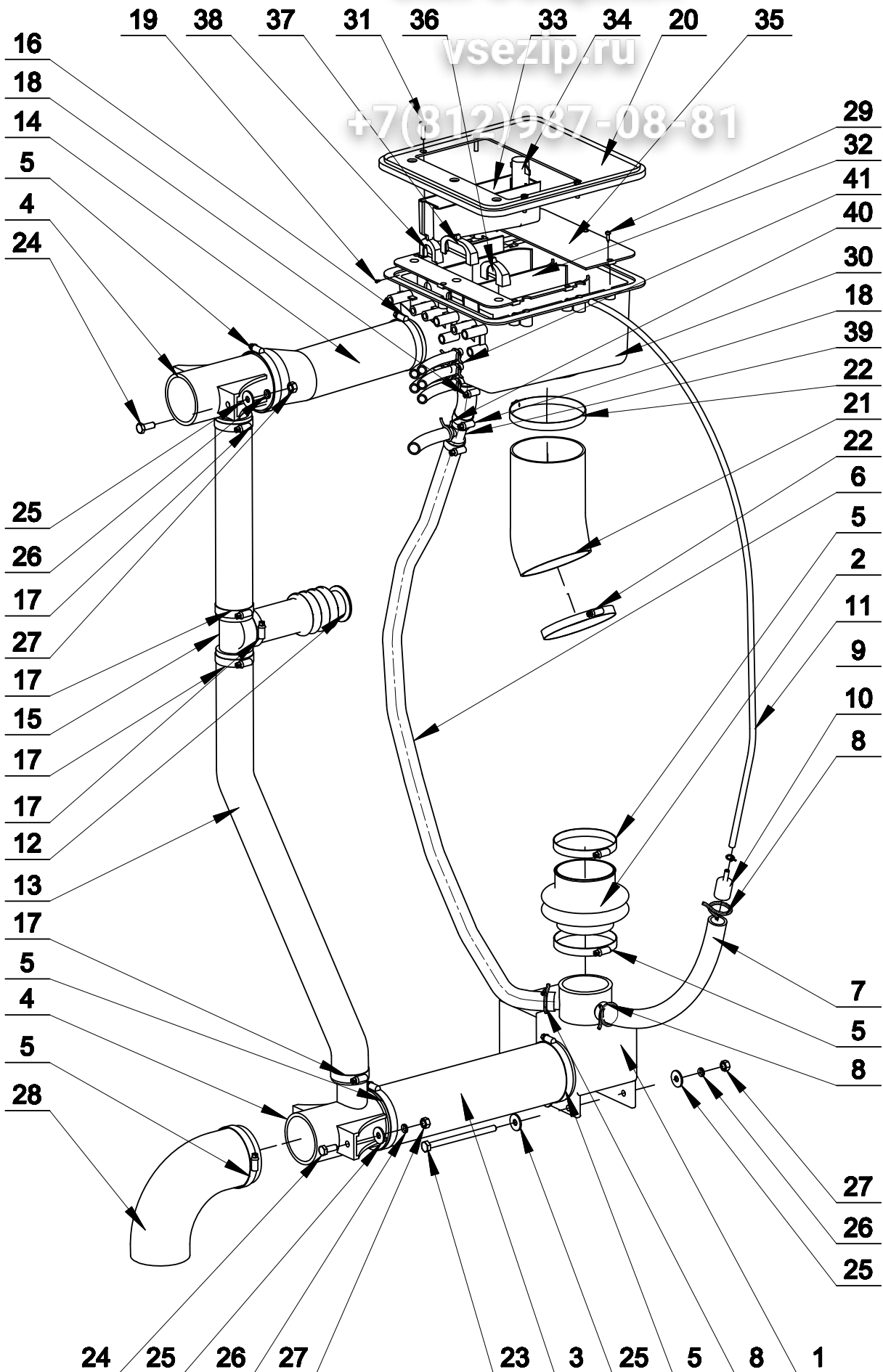
1	102035	Motor		
2	500088	Motor rubber suspension		
3	509819	V-pulley		
4	515257	Belt		
5	515258	Belt		
6	309933003125	Bolt 5/16" x 11/4"		
7	311902100008	Washer M8		
8	311127000008	Washer M8		
9	514077	Plastic washer		
10	514078	Plastic washer		
11	326000600402	Bearing		
12	102036	Motor control		
-	525903	Communication cable,	(not shown)	
13	509826	Support motor control		
14	309933000516	Bolt M5x16		
15	311902100012	Washer M12		
16	311125000005	Washer M5		
18	307732031042	Retaining ring 42		
19	515359	Pulley		
20	309933001225	Bolt M12x25		
22	509981	Beam complete		
23	R16100010814	Retaining ring		
24	309916000606	Bolt M6x6		
25	311127000012	Spring lock washer M12		
26	509980	Pulley ring		
27	PR1611010080	Motor spring		
28	515275	Pin		
29	515292	Bolt M8x50 with eye		
30	310934000008	Nut M8		
31	307732030020	Retaining ring 20		
32	515240	Insertion		
33	309933000416	Bolt M4x16		
34	311125000004	Washer M4		
35	313251002104	Riveting nut M4		
-	245704003021	Glue for sticking the bolt,	(not shown)	
-	510889	Anticorrosive agent,	(not shown)	
-	508451	Drive wiring,	(not shown)	

# SOAP HOPPER, DRAIN SYSTEM

Зип Общепит

vsezip.ru

+7(812)987-08-81



520 788 B

1	PRI340055051	Drain valve complete, (includes PRI340054051 + PRI340002051)		
-	PRI340054051	Drain valve chamber		
-	PRI340002051	Drain valve motor with gearbox		
2	273124080161	Tub-outlet valve hose		
3	PRI505000087	Drain hose		
4	PRI505000078	T-part		
5	PRI240000007	Hose clamp		
6	PRI503002049	Liquid soap hose		
7	PRI503002049	Air trap hose		
8	PRI241000006	Hose clamp		
9	PRI241000017	Hose clamp		
10	PRI503000027	Air trap reduction		
11	PRI540001003	Water level switch hose		
12	PRI505000088	Air vent-backplate hose		
13	PRI505000090	Overflow hose		
14	PRI505000089	Air vent-soaphopper		
15	PRI505000077	T-part		
16	PRI240000021	Hose clamp		
17	PRI240000017	Hose clamp		
18	PRI240000003	Hose clamp		
20	PRI505039027	Soaphopper sealing		
21	PRI540000031	Rubber soap hopper - tub		
22	PRI240000005	Hose clamp		
23	309931008120	Bolt M8x120		
24	309933000820	Bolt M8x20		
25	311902100008	Washer 8		
26	311127000008	Washer 8		
27	310934000008	Nut M8		
28	519463	Elbow		
29	309798124313	Screw ST3,5x13		
30	PRI505040027	External part powder part		
31	PRI212002020	Bolt M5x16		
32	PRI505041027	Internal part powder part		
33	PRI505042027	Small box softener		
34	PRI505043027	Cylinder		
35	PRI505044027	Protect plate powder box		
36	PRI505045027	Slide prewash		
37	PRI505046027	Slide mainwash		
38	PRI505047027	Slide softener		
39	522119	T-part 90°		
40	526134	Hose clamp		
41	PRI241000001	Hose clamp		

TRUNNION

Зип Общепит

vsezip.ru

+7(812)987-08-81

