

+7(812)987-08-81

PNC	Model	Ref.	Page
168 944	MCP/E 2S	a	1 - 2
168 144	RCP/E 2S	e	1 - 2

**Index**

Pag. 1 Tank-shelf and components  
2 Electrical components  
3-5 Spare parts list

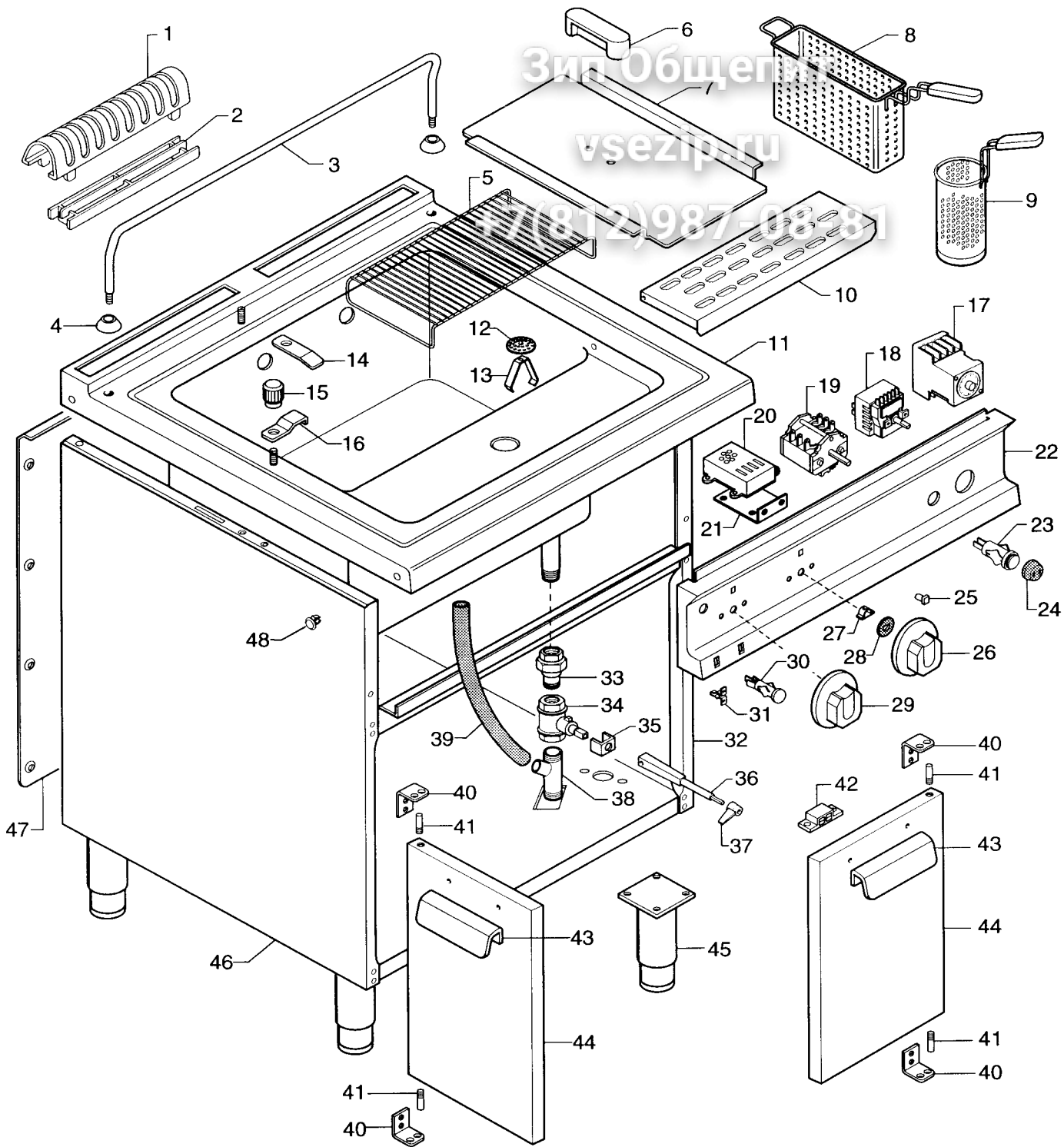
**Indice**

Ripiano-vasca e componenti  
Componenti elettrici  
Lista ricambi

**Brand / Marchio :** Z-E-P  
**Factory code:** 9731

Зип-Общепит  
vsezip.ru

+7(812)987-08-81



ELECTRIC PASTA COOKER 40 LT  
CUOCIPASTA ELETTRICO 40 LT

From ser. nr. / Da Ser. Nr.: 909.....

Page: 1

Ed. 9904

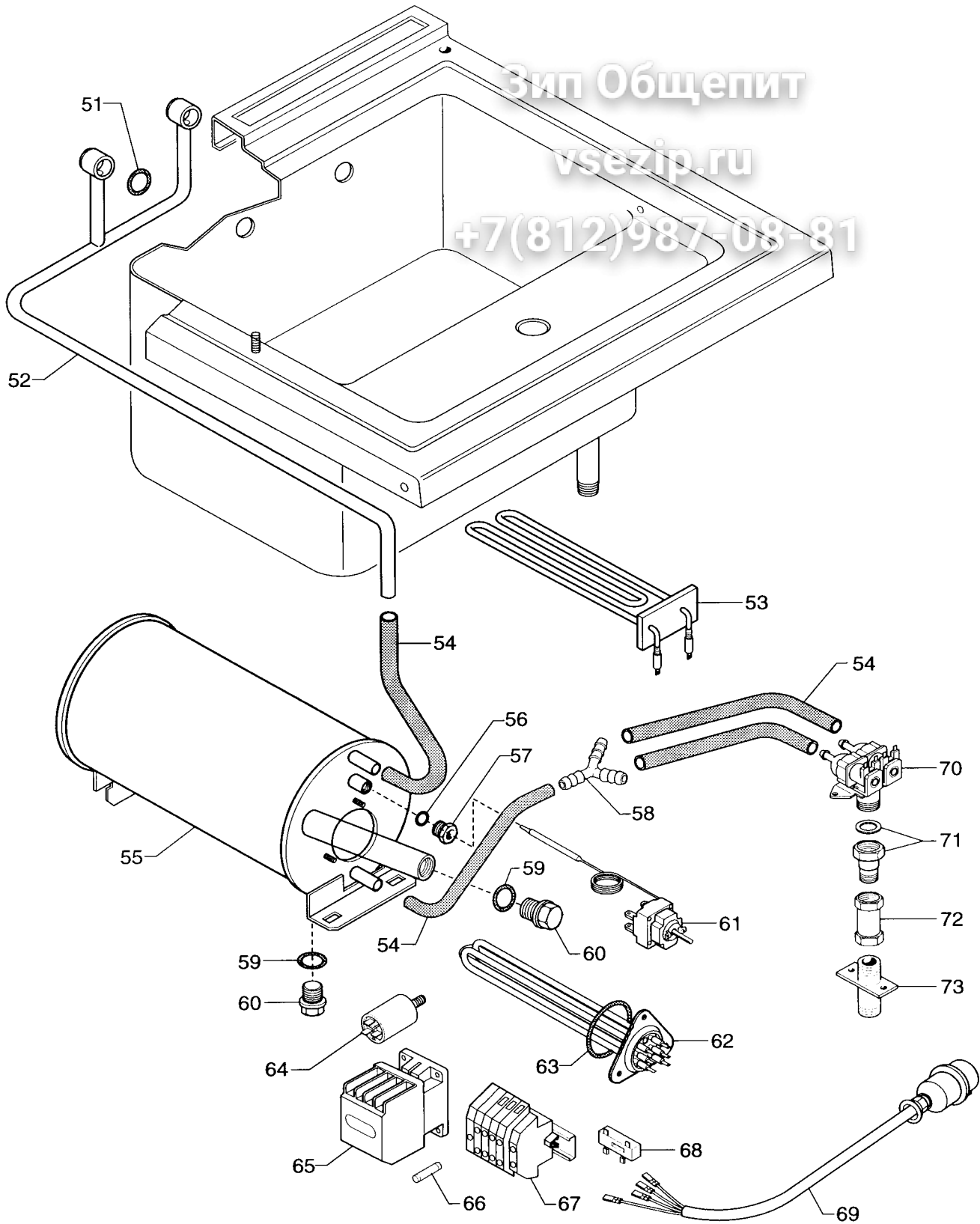
Doc. Nr.:

**2 - 04 604**

Вип Общепит

vsezip.ru

+7(812)987-08-81



ELECTRIC PASTA COOKER 40 LT  
CUOCIPASTA ELETTRICO 40 LT

From ser. nr. / Da Ser. Nr.: 909.....

Page: 2

Ed. 9904

Doc. Nr.:

**2 - 04 604**