

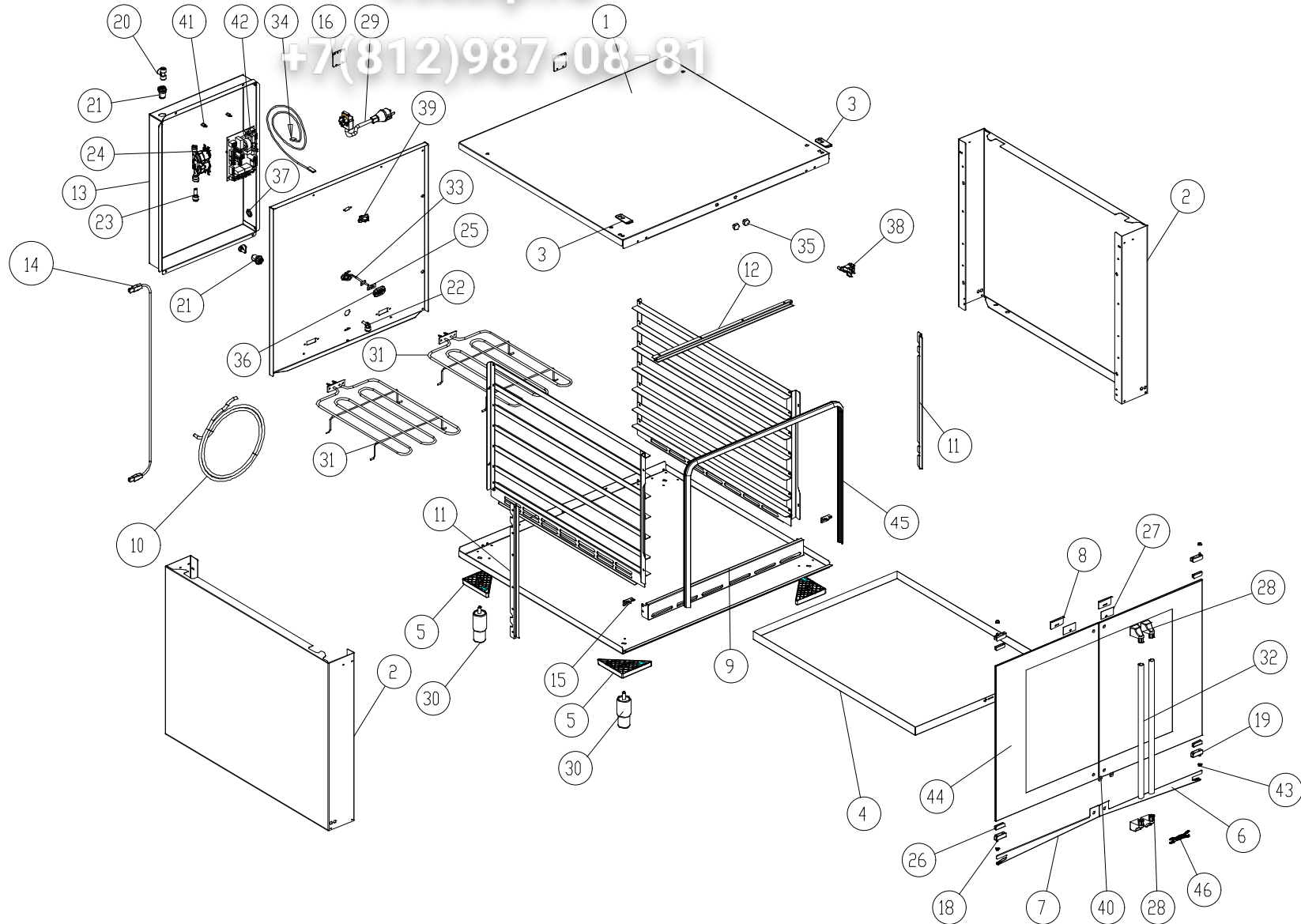
MOD: XL405

Зип Общепит EXPLODED VIEW DISEGNO ESPLOSO



vsezip.ru

+7(812)987-08-81



MOD: XL405

Зип Общепит

EXPLODED VIEW
DISEGNO ESPLOSO



DESCRIZIONE CODICI

+7(812)987-08-81

1	OD1920A0	COPERCHIO INOX XL405
2	OD1925A0	FIANCO INOX XL405
3	OH2030A0	STAFFA INOX SUPERIORE PORTA SERIE XL
4	OH3745A0	VASCA UMIDITA INOX XL404
5	VM1281A0	STAFFA TRIANGOLARE PER PIEDINO E RUOTA
6	OH4530A0	SGOCCIOLATOIO PORTA DX XL405
7	OH4535A0	SGOCCIOLATOIO PORTA SX XL405
8	OH4540A0	LAMIERA PER CALAMITA PORTA XL 405
9	OH4625A0	BARRIERA FRONTALE XL405
10	TB1815A0	TUBO PE 7,93X4,75 TRASPARENTE
11	OH4635B0	GUIDA GUARNIZIONE LAT. XL405
12	OH4640B0	GUIDA GUARNIZIONE FRONT. XL405
13	OH4645A0	PORTACOMPONENTI XL405
14	CE1305A0	CAVO RJ45 - RJ45 L=2MT
15	OH4730A0	STAFFA PORTA XL405
16	OH4745A0	PIASTRINA FISSAGGIO XL405
18	CR1081A0	CERN.SX INOX XV-XL-XB
19	CR1080A0	CERN.DX INOX XV-XL-XB
20	EL1020A0	RACCORDO INTERMEDIO "T" TUBO ø8
21	EL1125A0	PASSAPARETE ø8
22	EL1195A0	RACCORDO A GOMITO CON J.GUEST
23	EL1355A0	RACCORDO DIRITTO D=10 MM MASCHIO
24	EL1361A0	ELETTRIVALVOLA TRI-STADIO JG D8-D10
25	GN1120A0	GUARNIZIONE SONDA DI TEMPERATURA NTC
26	GN1320A0	GUARNIZIONE CERNIERA VETRO PORTA
27	GN1330A0	GUARNIZIONE LAMIERINO FERRITICO XL405
28	MG1015B0	TERMINALE MANIGLIA L.MISS/L.MICRO/CHEFTOP
29	MR1000A0	CAVO 3X1,5 H07RN-F MT1,5+K2/3+SCHUKO
30	PD1015A0	PIEDINO REGOLABILE D=45 H=70-100 INOX
31	RS1095A1	RESISTENZA PIANA 1200W 230V
32	TB1730A0	TUBO MANIGLIA INOX XL405 Ø18x1
33	TR1105A0	SONDA TEMPERATURA PT100 L=1000
34	TR1120A0	SENSORE UMIDITA
35	VE1607A0	VENTOSA MAGNETICA GOMMATA D22 H6 M6X9.5
36	VM1465A0	COPERCHIO SONDA TEMPERATURA CHEFTOP
37	VM1505A0	PASSAPARETE CON DIAFRAMMA
38	VM1645A0	ANGOLO GUARNIZIONE XL405
39	VM1690A0	SUPPORTO SONDA UMIDITA XL405
40	VM1720A0	RONDELLA PORTA XL405
41	VM1745A0	SUPPORTO PER SCHEDA
42	PE1745A1	SCHEDA POTENZA CAPPA/MANT/LIEV SERIE 2
43	VM1790A0	BOCCOLA CERNIERA 12X6.5 DI5.3
44	VT1210A0	VETRO PORTA XL405
45	GN1110A2	GUARNIZIONE PORTA PROFILO 248
46	CH1026A0	CHIAVE J.G. UNOX D8-D10

MOD: XL405

Зип Общепит

EXPLODED VIEW
DISEGNO ESPLOSO



DESCRIPTION

vsezip.ru

+7(812)987-08-81

1	OD1920A0	INOX COVER XL405
2	OD1925A0	INOX SIDE XL405
3	OH2030A0	STAINLESS STEEL UPPER BRACKET
4	OH3745A0	STAINLESS STEEL WATER BASIN XL404
5	VM1281A0	
6	OH4530A0	RIGHT DOOR DRIPPING TRAY XL405
7	OH4535A0	LEFT DOOR DRIPPING TRAY XL405
8	OH4540A0	MAGNET DOOR PLATES XL405
9	OH4625A0	FRONT BARRIER XL405
10	TB1815A0	WHITE PE PIPE 7,93X4,75
11	OH4635B0	LATERAL GUIDE GASKET XL405
12	OH4640B0	FRNTO GASKET GUIDE XL405
13	OH4645A0	COMPONENTS HOLDER XL405
14	CE1305A0	RJ45 - RJ45 CABLE L=2MT
15	OH4730A0	DOOR BRACKET XL405
16	OH4745A0	FIXING PLAQUE XL405
18	CR1081A0	LEFT HINGES INOX XV-XL-XB
19	CR1080A0	RIGHT HINGES INOX XV-XL-XB
20	EL1020A0	INTERMEDIATE "T" CONNECTION ø8
21	EL1125A0	WALL PASSING SEAL ø8
22	EL1195A0	ELBOW UNION WITH J.GUEST TERMINAL
23	EL1355A0	STRAIGHT CONNECTION MALE D=10MM
24	EL1361A0	
25	GN1120A0	TEMPERATURE PROBE NTC SEAL
26	GN1320A0	HINGE GASKET DOOR GLASS
27	GN1330A0	FERRITIC PLATE GASKET XL405
28	MG1015B0	L.MISS/L.MICRO/CHEFTOP HANDLE END
29	MR1000A0	CABLE 3X1,5 H07RN-F MT1,5+K2/3+SCHUKO
30	PD1015A0	STAINLESS STEEL ADJUSTABLE FOOT
31	RS1095A1	HEATING ELEMENT 1200W 230V
32	TB1730A0	STAINLESS STEEL HANDLE TUBE XL405
33	TR1105A0	TEMPERATURE PROBE PT100 L=1000
34	TR1120A0	HUMIDITY SENSOR
35	VE1607A0	
36	VM1465A0	CHEFTOP TEMPERATURE PROBE COVER
37	VM1505A0	WALL PASSING WITH DIAPHRAGM
38	VM1645A0	GASKET CORNER XL405
39	VM1690A0	HUMIDITY PROBE SUPPORT XL405
40	VM1720A0	DOOR WASKER XL405
41	VM1745A0	BOARD SUPPORT
42	PE1745A1	HOOD/HOLD. CAB./PROVER S. 5 POWER CARD
43	VM1790A0	HINGE BUSH 12X6.5 D15.3
44	VT1210A0	DOOR GLASS XL405
45	GN1110A2	DOOR GASKET PROFILE 248 LINE MISS-XCH030
46	CH1026A0	UNOX JOHN GUEST SPANNER D8-D10

MOD: XL405

Зип Общепит

EXPLODED VIEW
DISEGNO ESPLOSO



vsezip.ru

+7(812)987-08-81