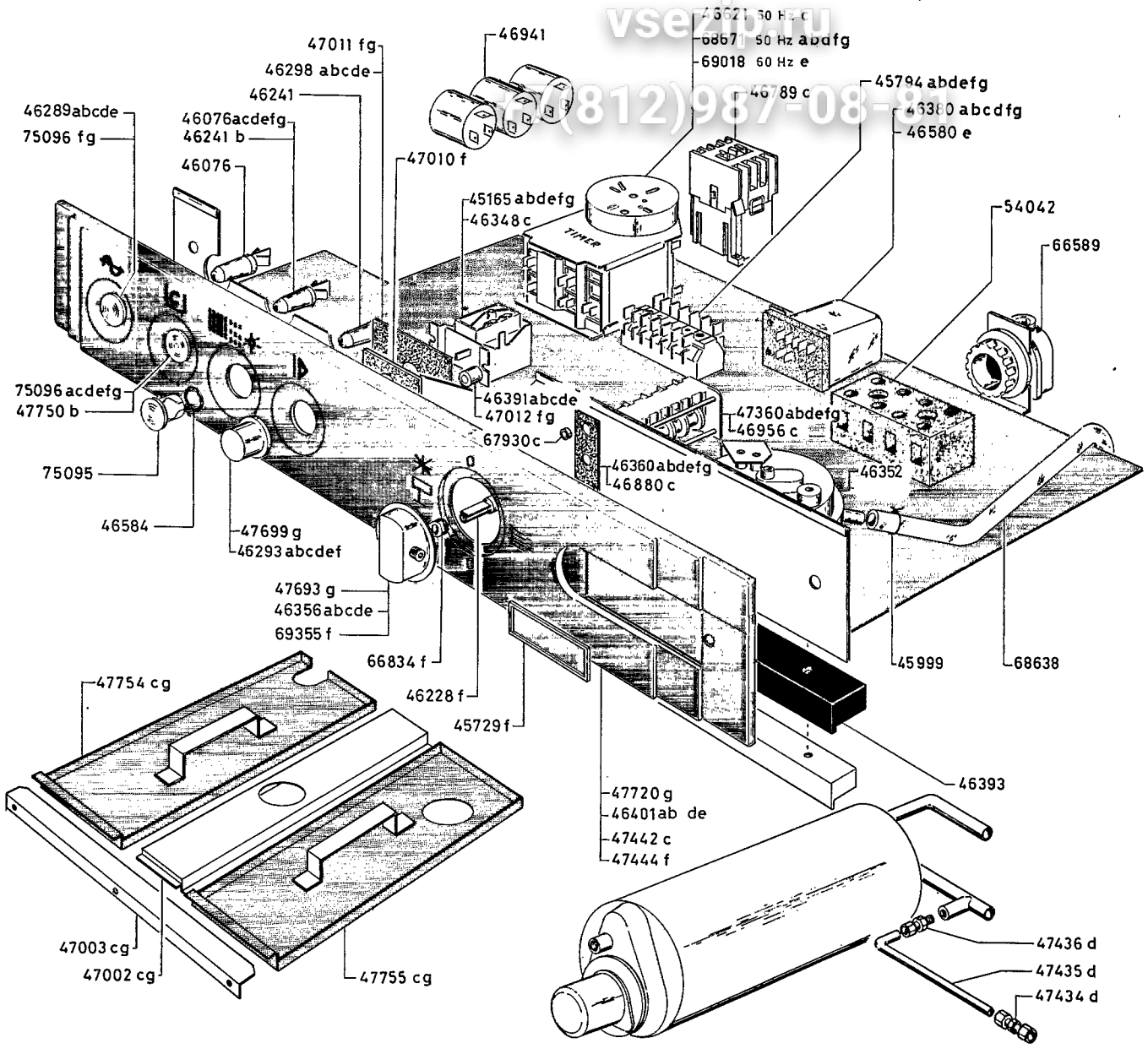


Зип Общепит

vsezip.ru

(812) 987-08-80



"LS 360" LAVASTOVIGLIE A CESTO QUADRO "LS 360" STATIONARY BASKET DISHWASHER							RIF. REF.	Da matricola from serial N ^o
a	b	c	d	e	f	g		
500 120 LS 360	500 110 LS 360 D	500 042 LS 360 F	500 043 LS 360 DK	500 130 LS 360/63	727 106 7106 N	5 CF 05 B	05 09 86	
							06	01-52 a