

Зип Общепит

vsezip.ru

+7(812)987-08-81

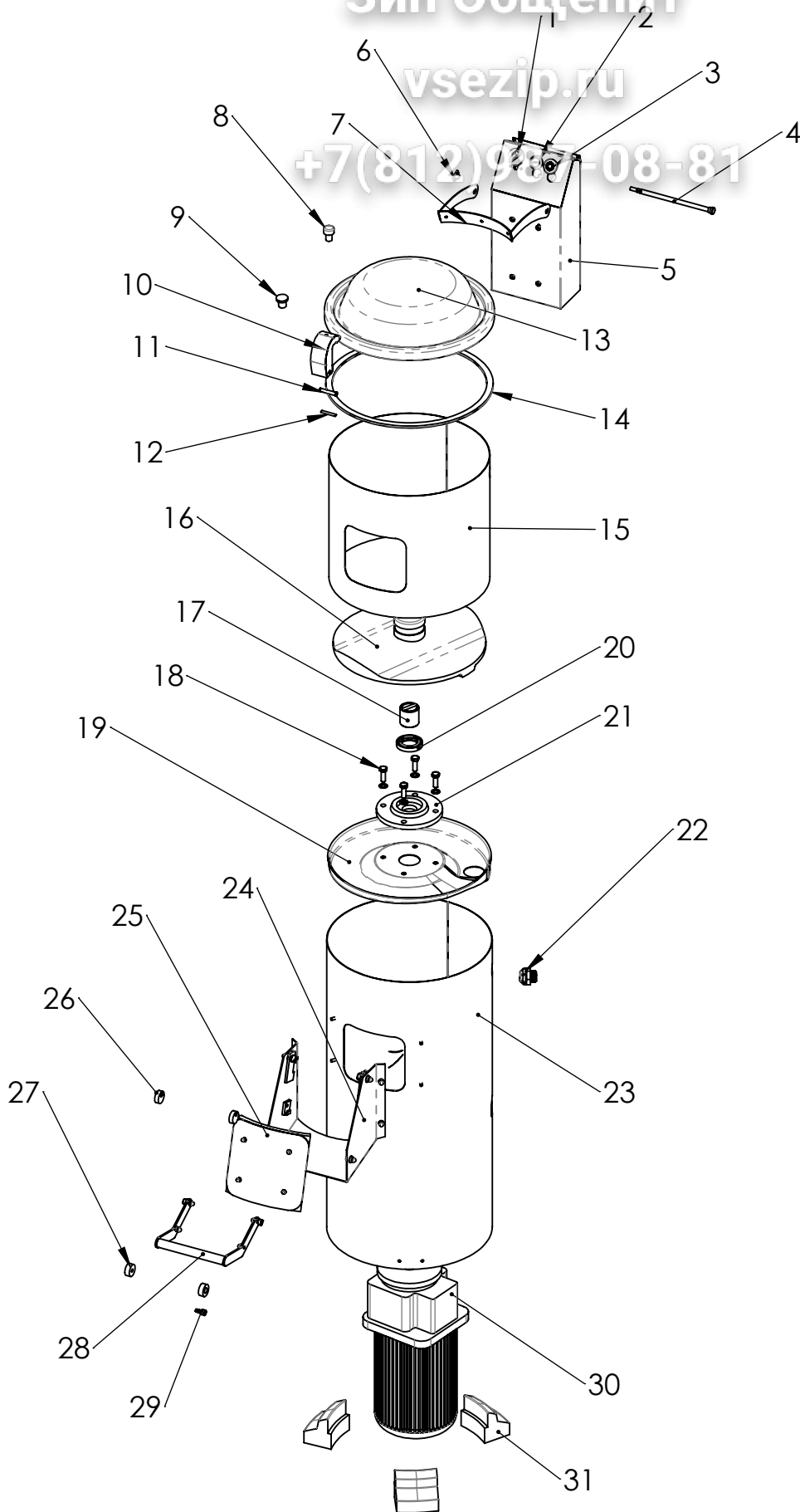
A

B

C

D

E



F	R&D	İSİM	İMZA	TARİH	MATERIAL	TOLERANS
	ÇİZEN	S.AYCAN		01.01.2011		DIN 7168 ORTA
	KONTROL	S.ÇAKIR		01.01.2011		
	ONAY	M.HACI		01.01.2011	KALINLIK	REVİZYON 0
					AĞIRLIK (gr.)	ÖLÇEK

öztiryakiler

PARÇA ADI: 10 KG PATATES SOYMA MAKİNASI

T.RESİM NO 0840.00010.01.000.00.0Y

RESİM ÜZERİNDEN ÖLÇÜ ALMAYINIZ!

ÖLÇÜLER mm CİNSİNDENDİR

AĞIRLIK (gr.)

ÖLÇEK

POSITION NUMBER	PART CODE	Part Name
1	6259.00002.00	TIMER DHELE 4 MIN
2	6232.00003.02	BUTON START EMAS
3	6232.00003.06	BUTON STOP EMAS
4	2840.00010.01	UPPER COVER HANDLE MILE
5	2840.00010.02	HOUSING BOX
5-A	6230.00017.01	CONTACTOR GMC-5M 10 220 VAC
5-B	6231.00001.00	THERMIC RELAY GTK-12M/ 1,6-2,5 LG
5-C	6235.00400.01	W AUTOMATIC FUSE BKN-C 1P2
5-D	6235.00400.11	W AUTOMATIC FUSE BKN-C 3P6
5-E	6257.00016.01	KOBLO NEXANS 5x2,5 INSIDE COLOR 3 BLACK.1BLUE .1 YELLOWGREEN
6	2840.00010.03	COVER HANDLE SWITCH APARATUS
7	2840.00010.04	UPPER COVER LIFT HANDLE
8	2840.00010.05	UPPER COVER HANDLE
9	2840.00010.06	COVER LOCK HANDLE
10	2840.00010.07	COVER LOCK HANDLE
11	2840.00010.08	POLIAMID REEL
12	2840.00010.09	COVER LOCK MILE
13	6261.00013.10	4MM TARNSPERENT COVER
14	6261.00010.10	COVER GASKET
15	2840.00010.10	GRINDER BOWL
15-A	6002.00015.00	122 CM PEELING SHEET EMERY
16	2840.00010.11	DISC WITH EMERY
17	2840.00010.12	REDUCTOR MILE HOUSING
18	6212.00001.29	10*30 INOX
20	6228.00011.11	NUTRING 40*62*10
21	2840.00010.14	REDUCTOR FLANGE
22	2840.00010.15	WATER INTAKE GLAND
24	2840.00010.17	FRONT BASIN
25	2840.00010.18	FRONT LID
25-A	6261.00010.03	COVER PLASTIC
26	2840.00010.19	COVER ROLLER
27	2840.00010.20	POLIAMIDE ROLLER FOR FRONT LID
28	2840.00010.21	COMPLETE HANDLE FOR FRONT LID
29	2840.00010.22	BOLT FOR POLIAMIDE ROLLER
30	6261.00029.13	ENGINE WITH GEARBOX
31	2840.00010.23	FOOT