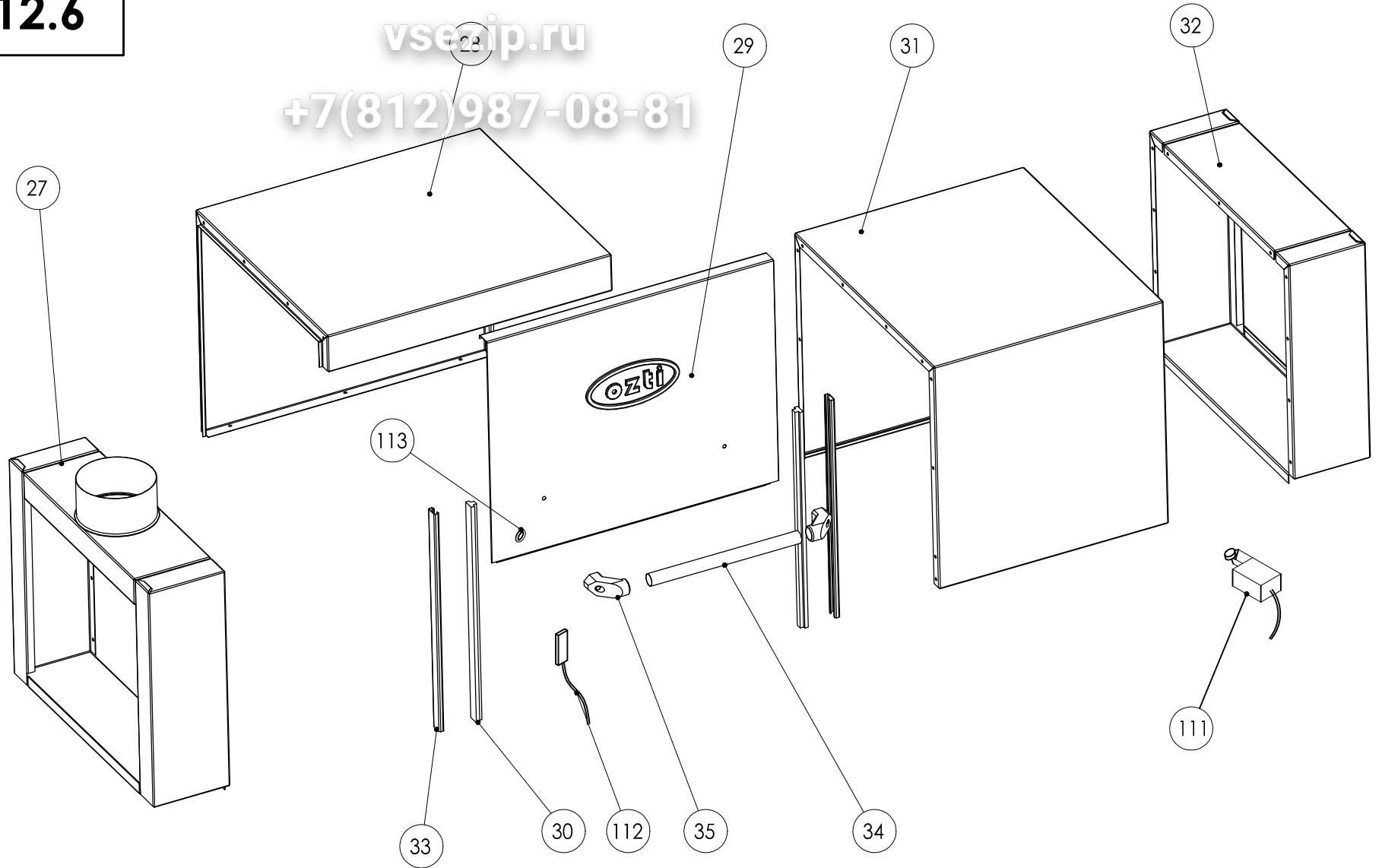


V 12.6

Зип Ощепит

vsezip.ru

+7(812)987-08-81



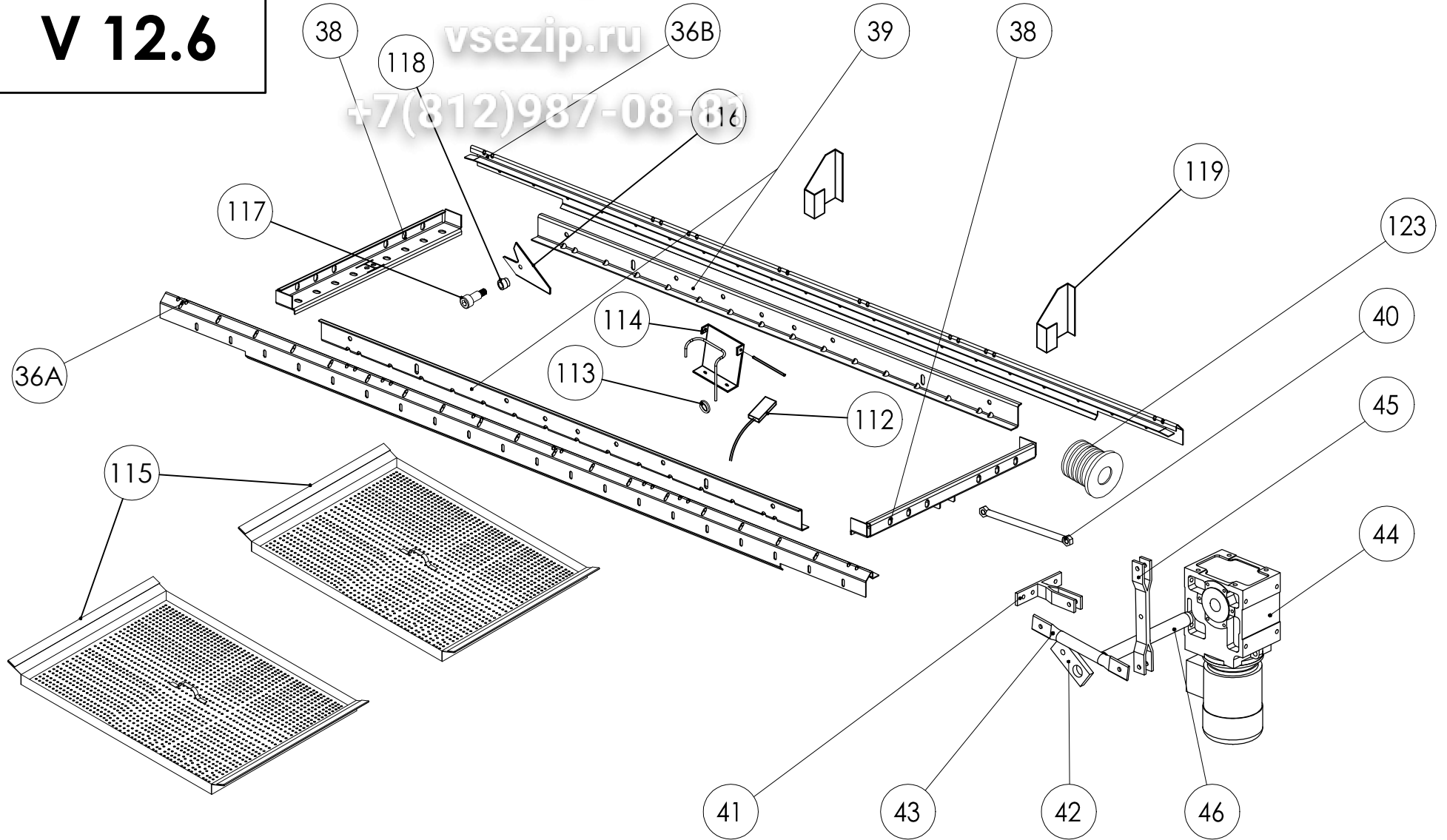
R&D	İSİM	İMZA	TARİH	MATERIAL	VERSİYON NO	öztirakiler	
ÇİZEN	E. BAŞTUĞ		05.06.2012		V 12.6	PARÇA ADI: OBK 1500 ÜST KABİN GRUBU PATLAMIS RESİM	
KONTROL	E. ATMACA		05.06.2012				
ONAY	M.HACI		05.06.2012	KALINLIK	REVİZYON		
RESİM ÜZERİNDEN ÖLÇÜ ALMAYINIZ!		ÖLÇÜLER mm CİNSİNDENDİR		AĞIRLIK (gr.)	ÖLÇEK	T.RESİM NO	

Зип Общепит

vsezip.ru

+7(812)987-08-816

V 12.6



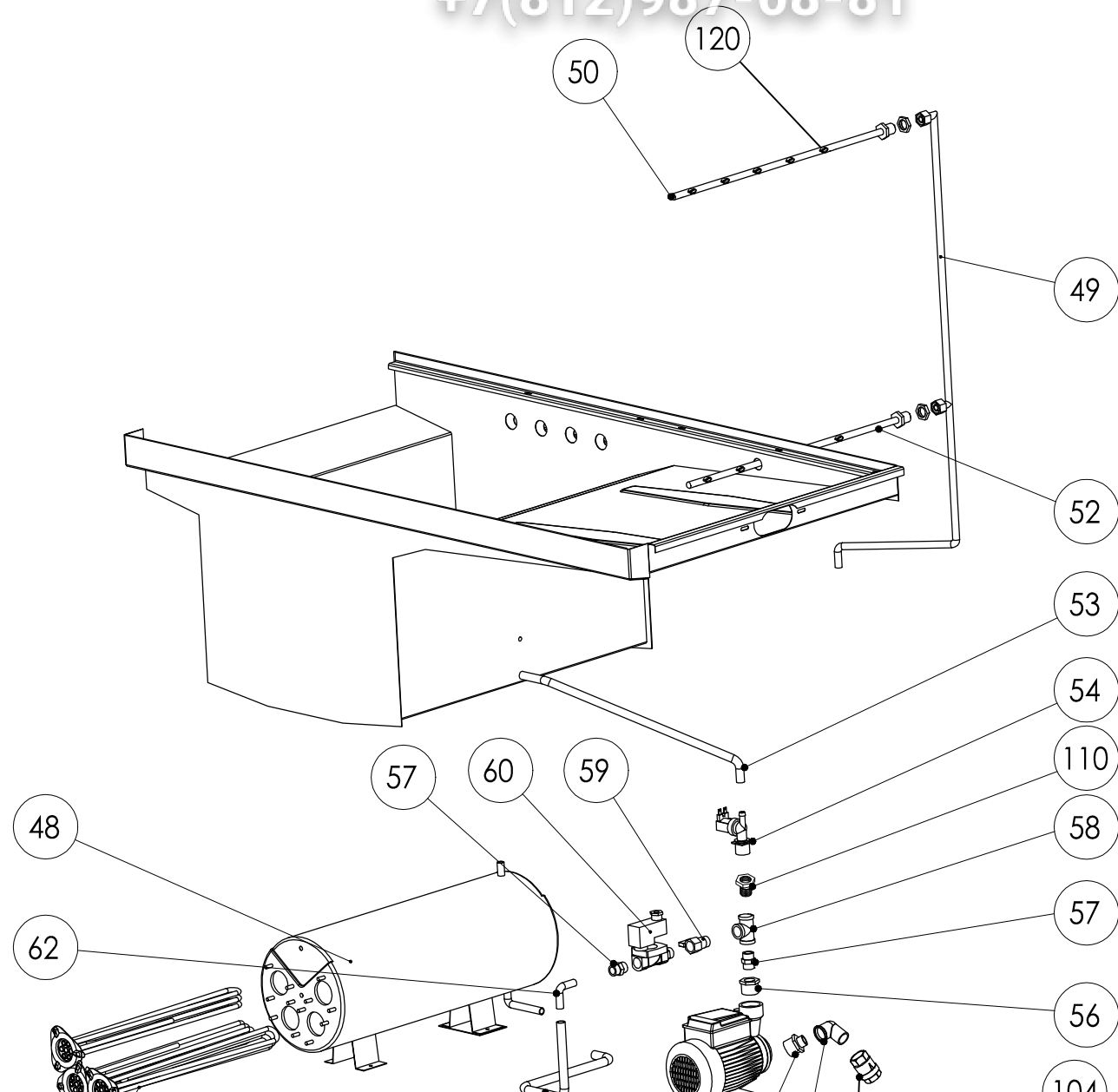
R&D	İŞİM	İMZA	TARİH	MATERIAL	VERSİYON NO	öztiryakiler	
ÇİZEN	E. BAŞTUĞ		05.06.2012		V 12.6		
KONTROL	E. ATMACA		05.06.2012				
ONAY	M.HACI		05.06.2012	KALINLIK	REVİZYON	PARÇA ADI: OBK 1500 HAREKETLİ KIZAK GRUBU PATLAMIS RESİM	
RESİM ÜZERİNDEN ÖLÇÜ ALMAYINIZ!		ÖLÇÜLER mm CİNSİNDENDİR		AĞIRLIK (gr.)	ÖLÇEK	T.RESİM NO	

Зип ОщепИТ

vsezip.ru

+7(812)987-08-81

V 12.6

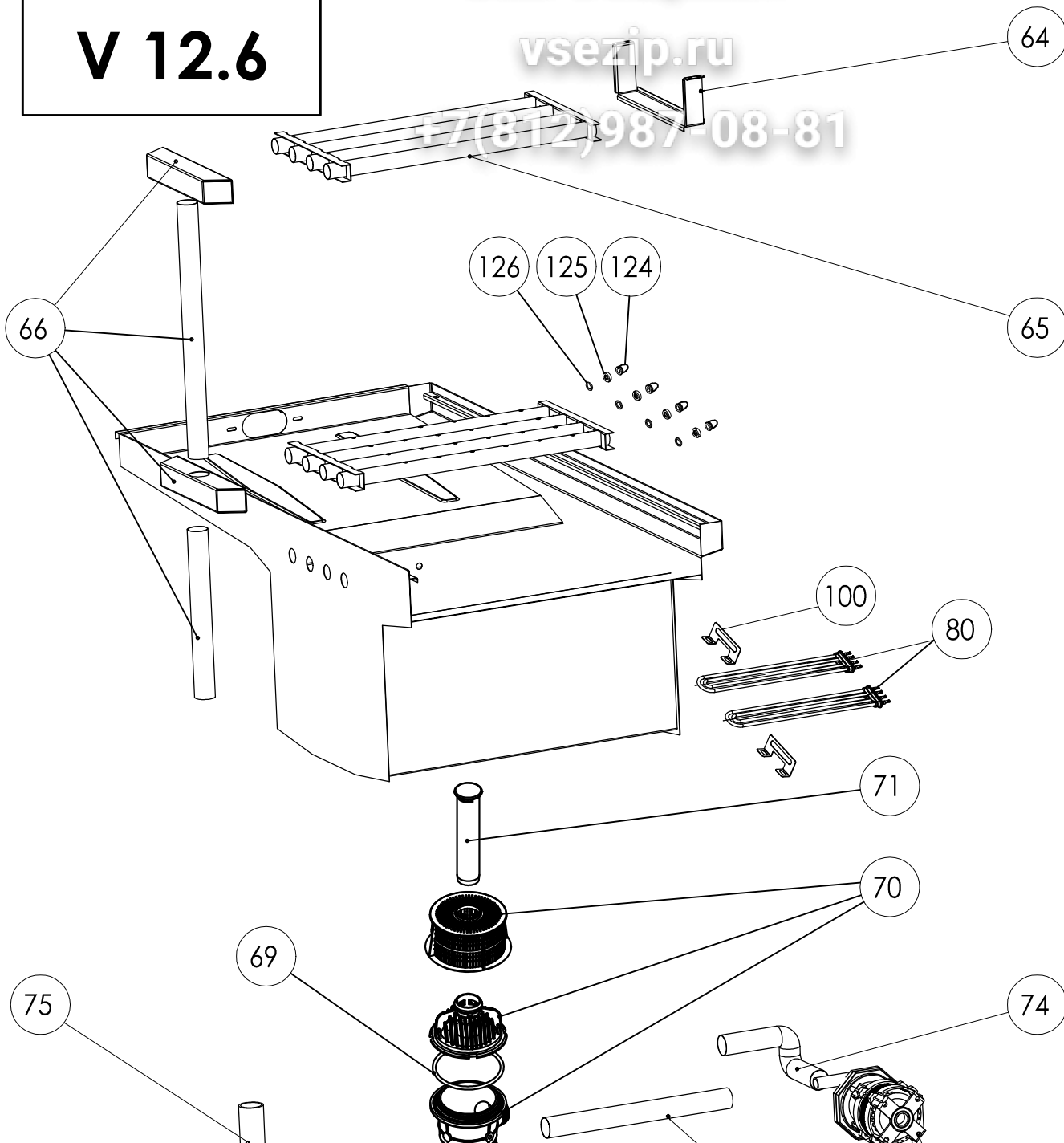


Зип Ощепит

vsezip.ru

+7(812)987-08-81

V 12.6



PIC.NU	PART CODE	PART NAME
1 - 2	2710.15000.10	OPK 1500 Frame Part
3 - 4	2710.20050.01	Chasis Side Part Right-Left
5 - 6 - 7	2710.20051.24	Chassis Connection Part (Middle)
8 - 9	2710.20051.02	Rinsing Part (vertical)
10	6260.00002.10	Adjustment Machine Foot
11	2710.15000.11	Bottom Cover
12	2710.20051.04	Chassis Connection Part
13	2710.20051.06	Chasis Geared Motor Connection Part
15	2710.20052.02	Geared Motor Cover Part
16	2710.20050.01	Chasis Side Part Right-Left
17	2710.20051.32	Control Panel
18	6262.00074.00	Control Panel
19	2710.20051.08	Front Cover Strip
20	2710.20051.26	Chasis Front Panel
21	2710.20051.29	Chasis Outlet Cover
22	2710.20051.28	Chasis Net Inlet Cover
23	2710.20051.27	Chasis Back Cover
24	2710.15000.12	Tank Cover Front
25	2710.20051.15	Main Washing Tank
26	2710.15000.13	Tank Cover Back
27	2710.20051.60	Inlet Cabin
28	2710.20051.18	Middle Cabin
29	2710.20051.251	Cabin Cover
30	6262.00003.02	Front Lid Slide (Polyamid)
31	2710.20051.16	Rinse Cabinet
32	2710.20052.03	Outlet Cabinet
33	2710.20051.65	Door Rail
34	2710.20051.46	Pipe of Handle Bar
35	6262.00022.10	Plastic Cover (Pipe Handle Bar)
36A	2710.20051.07	Rail
36B	2710.20051.07	Rail
38	2710.20051.05	Chassis Swing Arm Connection Part
39	2710.20051.33	Movable Rail
40	2710.20010.23	Moving Bar of Sledge
41	2710.20051.67	Redactor Connection Part (Y)
42	2710.20051.41	Redactor Flange
43	2710.20010.20	Connection Arm of Redactor
44	6262.00015.00	Redactor 20 Cycle/Min 0,37 KW
45	2710.20010.22	Moving Arm of Redactor

63	6262.00021.18	1/2" Hose
64	2710.20051.09	Washing nozzle connection part
65	2710.20051.47	Collector
66	2710.20051.21	Collector sheet metal (upper)
69	6228.00001.21	Oring 118 5 mm
70	6262.00027.000	Aspiration filter (outside)
71	2710.20051.450	CBK 1500 Drain Pipe Opened
73	9099.ZF650.00	Washing Pump LGB ZF 650 SX
74	6262.00021.01	Rubber Elbow Hose Ø50
75	2710.20051.86	Pressure Hose
76	2710.20051.87	Pressure transition Hose
77	2710.20052.04	Discharge transition Pipe
79	6262.00021.13	Discharge Hose
80	6246.00022.09	Washing Tank Resistance 2000 + 2500 W
81	2710.20051.99	Electric Panel
82	6230.00017.05	Boiler Contactor
83	6230.00017.04	Depot Contactor
84	6230.00017.02	Washing Contactor
85	6230.00017.02	Drying Contactor
86	6230.00017.02	Redactor Contactor
87	6231.00001.15	Redactor Thermic
88A	6231.00023.12	Drying Relay
88B	6231.00023.14	Relay Socket
89A	6231.00023.12	Control Relay
89B	6231.00023.14	Relay Socket
90A	6231.00020.02	Relay (Current)
90B	6231.00021.03	Relay Socket
91	6235.00400.80	Resistance Fuse
92	6235.00400.02	Control Fuse
93	6235.00400.14	Washing, Drying redactor Motors Fuse
94	6248.00011.02	Power Inlet Terminal
95	6236.00009.00	Mounting Rail
96	6234.00001.080	Thermostat Pipe 30-110
97	6234.00001.21	Safety Thermostat
98	2710.20051.990	Electrical Panel Cover Coupling Sheet Part
99	2710.20051.991	Electrical Panel Cover
100	2710.11049.09	Tank Resistance Fixing Part
101	6226.00021.13	Drain Hose Seal
102	6222.00003.22	Nipple 3/4 Brass
103	6222.00004.01	Waste Holder 3/4

119	2710.20051.37	Carrier Rail Connector Part
120	6262.00031.03	Drying Faucet
121	6300.00022.01	Boiler Cover Plastic
122	2KLP.460.626200062.06	Polyamid Bolt(Boiler Cover)
123	6262.00059.00	Redactor Bellows
124	6262.00030.09	Washing handle Joint Part
125	6262.00030.07	Washing handle Joint Nut G40.8-14
126	2710.20051.89	Washing handle tightness Nut