

CATALOGO PARTI DI RICAMBIO
SPARE PARTS CATALOGUE

FRIGGITRICE GAS
GAS FRYER

PNC	Model	Ref.	Page	Note
162305	BFR/G1S14	-	1...5	15 LITRE FREESTANDING GAS FRYER 350 MM

Pag. 2
3
4-5

Indice
Mobile e componenti
Impianto gas
Lista ricambi

Index
Structure and components
Gas components
Spare parts list

Da Ser. Nr. / From ser. nr.: 917.....

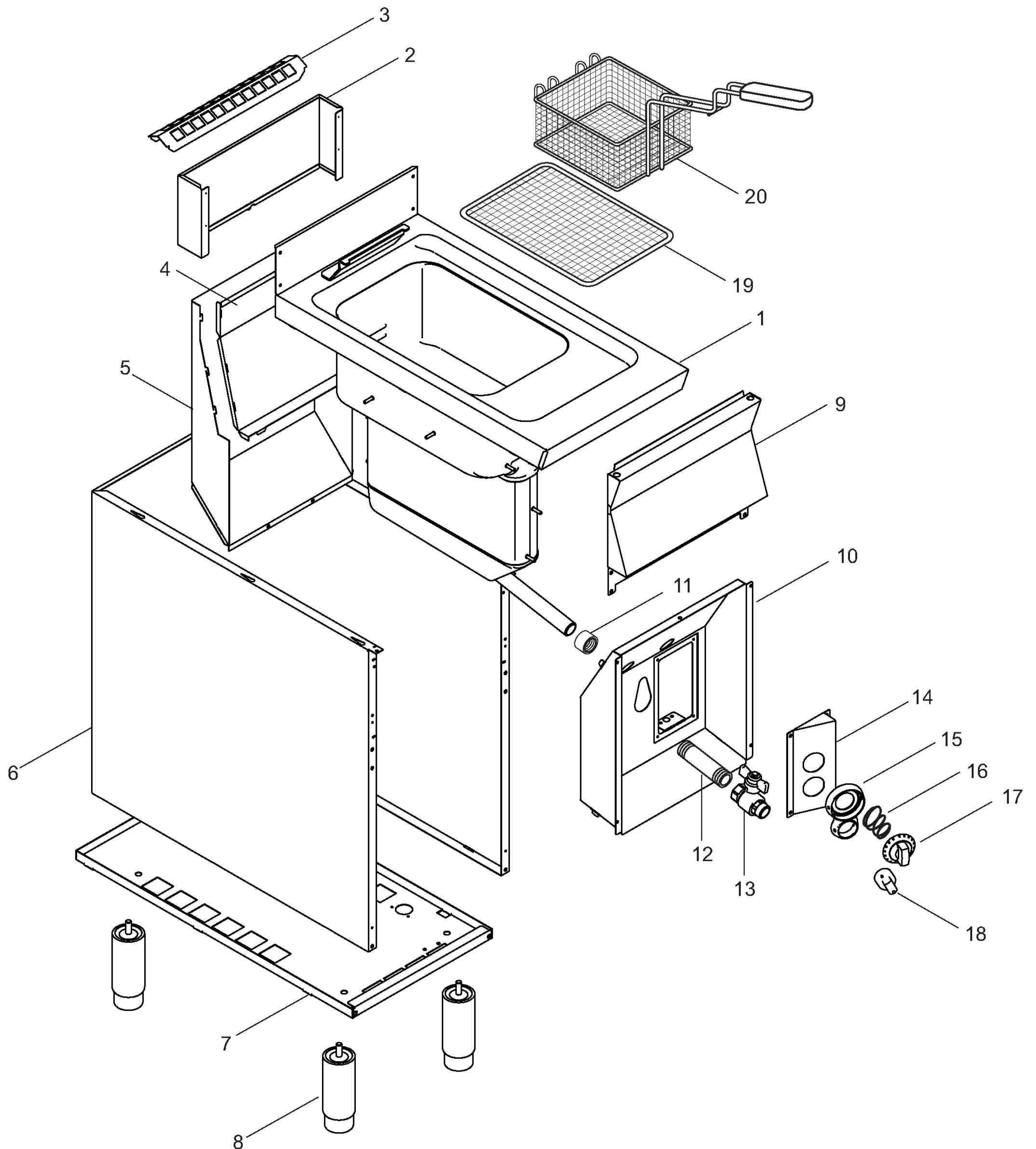
Page: 1

Ed.2009 04

Doc. Nr.:

597854400

(2- 06025)



FRIGGITRICE GAS
GAS FRYER

Da Ser. Nr. / From ser. nr.: 917.....

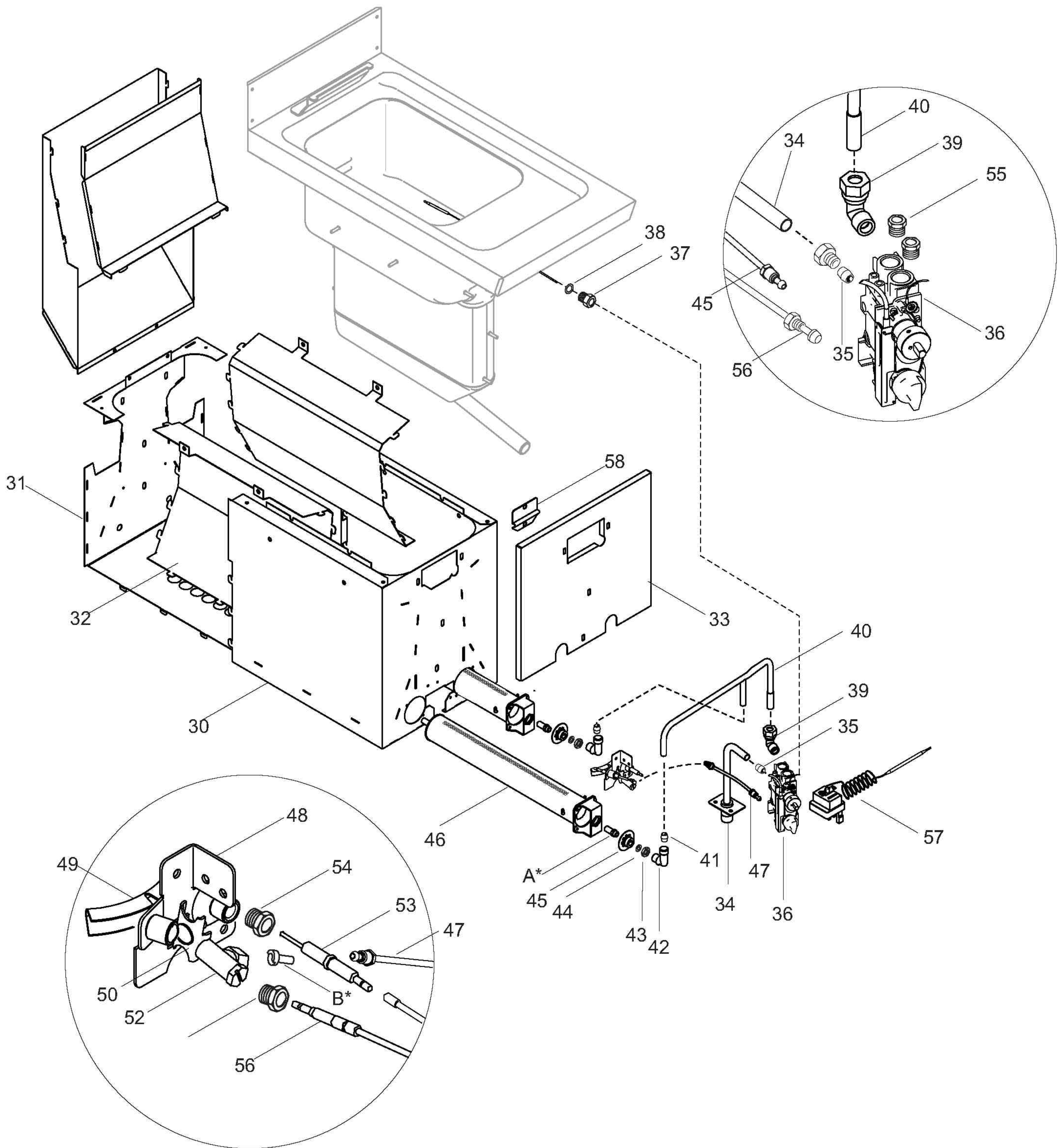
Page: 2

Ed.2009 04

Doc. Nr.:

597854400

(2- 06025)



FRIGGITRICE GAS
GAS FRYER

Da Ser. Nr. / From ser. nr.: 917....

Page: 3

Ed.2009 04

Doc. Nr.:

597854400

(2- 06025)

A - Ugello bruciatore / Burner nozzle			
6DGT Code	Ref. / Notes		
0C0729	ø2.40	2H/2E+	G20 20mbar
0C0729	ø2.40	2H	G20 25mbar
0C0730	ø2.65	2ELL	G25 20mbar
0C0730	ø2.65	2L	G25 25mbar
004732	ø1.35	3+3B/P	G30 30mbar
004732	ø1.35	3B/P	G30 37mbar
004732	ø1.35	3B/P	G30 50mbar
0C0730	ø2.65	2S	G25.1 25mbar
0C0729	ø2.40	AU	G20 10mbar
0C3079	ø6.25	No CE	G110 8mbar

B - Ugello pilota / Pilot nozzle			
6DGT Code	Ref./ Notes		
003327	n°40	2H/2E+	G20 20mbar
003327	n°40	2H	G20 25mbar
003327	n°40	2ELL	G25 20mbar
003327	n°40	2L	G25 25mbar
058525	n°30	3+3B/P	G30 30mbar
058525	n°30	3B/P	G30 36mbar
058525	n°30	3B/P	G30 50mbar
003327	n°40	2S	G25.1 25mbar
003327	n°40	AU	G20 10mbar
-	adj	No CE	G110 8mbar