

**20 GN1/1 AND 20 GN 2/1 ELECTRIC STEAM-CONVECTION OVEN
FORNO CONVEZIONE-VAPORE ELETTRICO 20 GN1/1 E 20 GN 2/1**

+7(812)987-08-81

PNC	Model	Ref.	Page	
260300	5714 - 3 - 6	a	1 - 4	air o steam FCV/E 20 1/1
260301	5714 - 3 - 7	b	1 - 4	
260302	5714 - 3 - 8	c	1 - 4	
260303	5714 - 3 - 8E	d	1 - 4	
260304	5714 - 3 - 10	e	1 - 4	
260310	5717 - 3 - 6	f	1 - 4	air o steam FCV/E 20 2/1
260311	5717 - 3 - 7	g	1 - 4	
260312	5717 - 3 - 8	h	1 - 4	
260313	5717 - 3 - 8E	l	1 - 4	
260314	5717 - 3 - 10	m	1 - 4	
260315	5717 - 3 - 8M	n	1 - 4	
260316	5717 - 3 - 8CH	p	1 - 4	

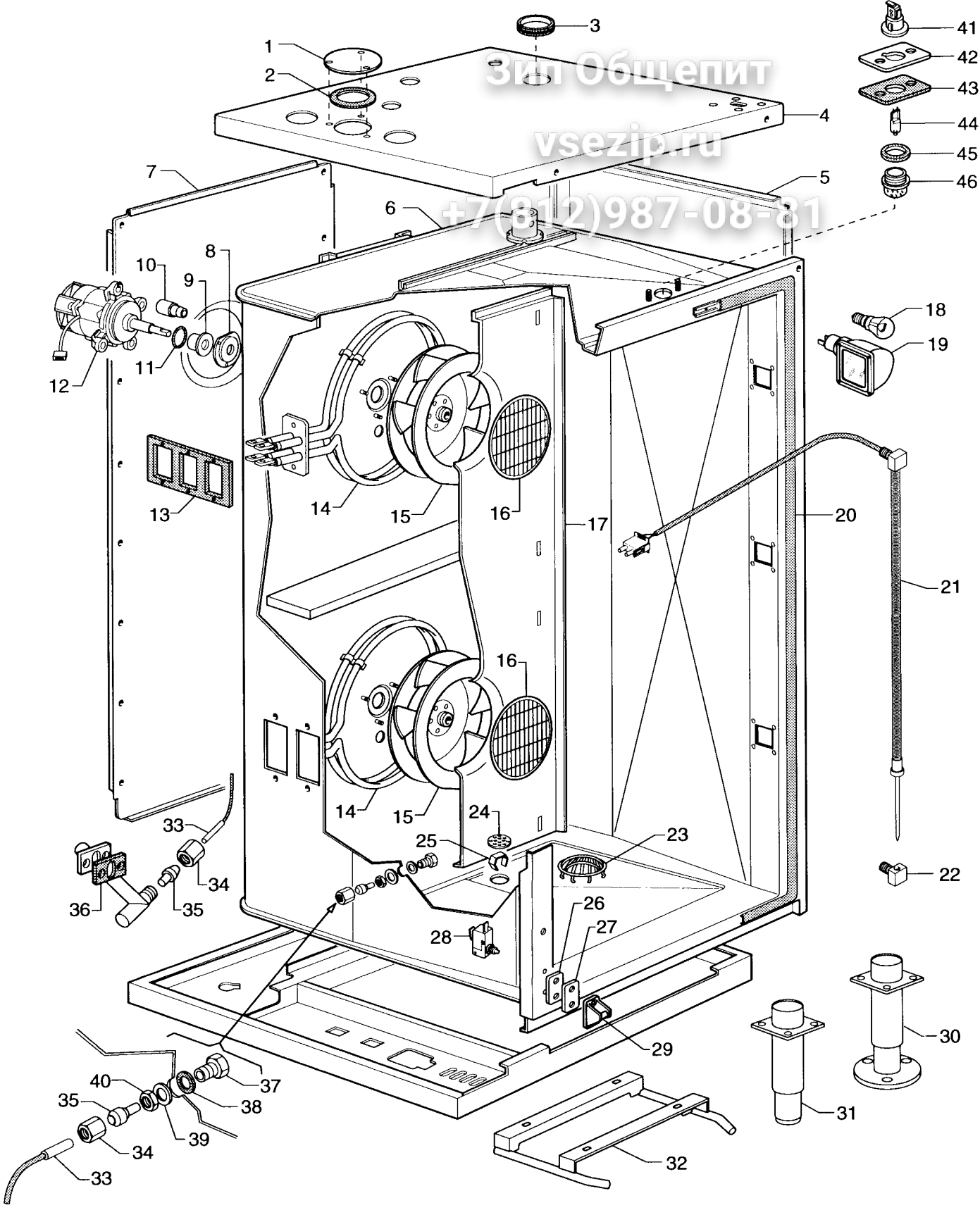
Index

Pag. 1 Oven cabinet
2 Oven door
3 Boiler and components
4 Electrical components
5-10 Spare parts list

Indice

Cella forno
Porta forno
Boiler e componenti
Componenti elettrici
Lista ricambi

Brand / Marchio : J
Factory code: 9731



20 GN1/1 AND 20 GN2/1 ELECTRIC STEAM - CONVECTION OVEN
 FORNO CONVEZIONE-VAPORE ELETTRICO 20 GN1/1 E 20 GN2/1

5714-3 / 5717-3

From ser. nr. / Da Ser. Nr.: 835.....

Page: 1

Ed. 9902

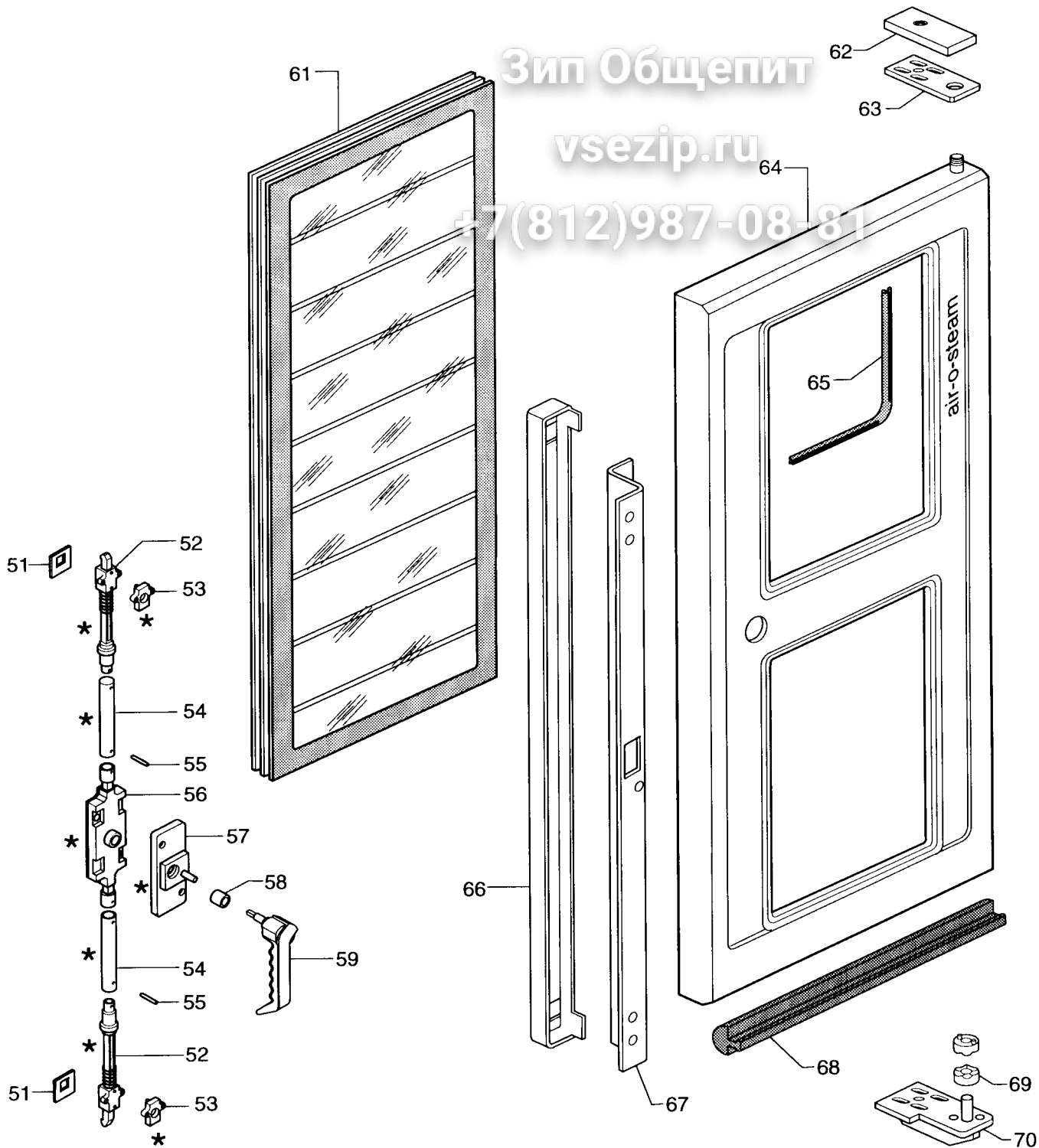
Doc. Nr.:

3 - 12 206

Зип Общепит

vsezip.ru

+7(812)987-08-81



71 * { LEVER HOOK LOCK ASSEMBLY
 ASSIEME CHIUSURA

20 GN1/1 AND 20 GN2/1 ELECTRIC STEAM - CONVECTION OVEN
 FORNO CONVEZIONE-VAPORE ELETTRICO 20 GN1/1 E 20 GN2/1

5714-3 / 5717-3

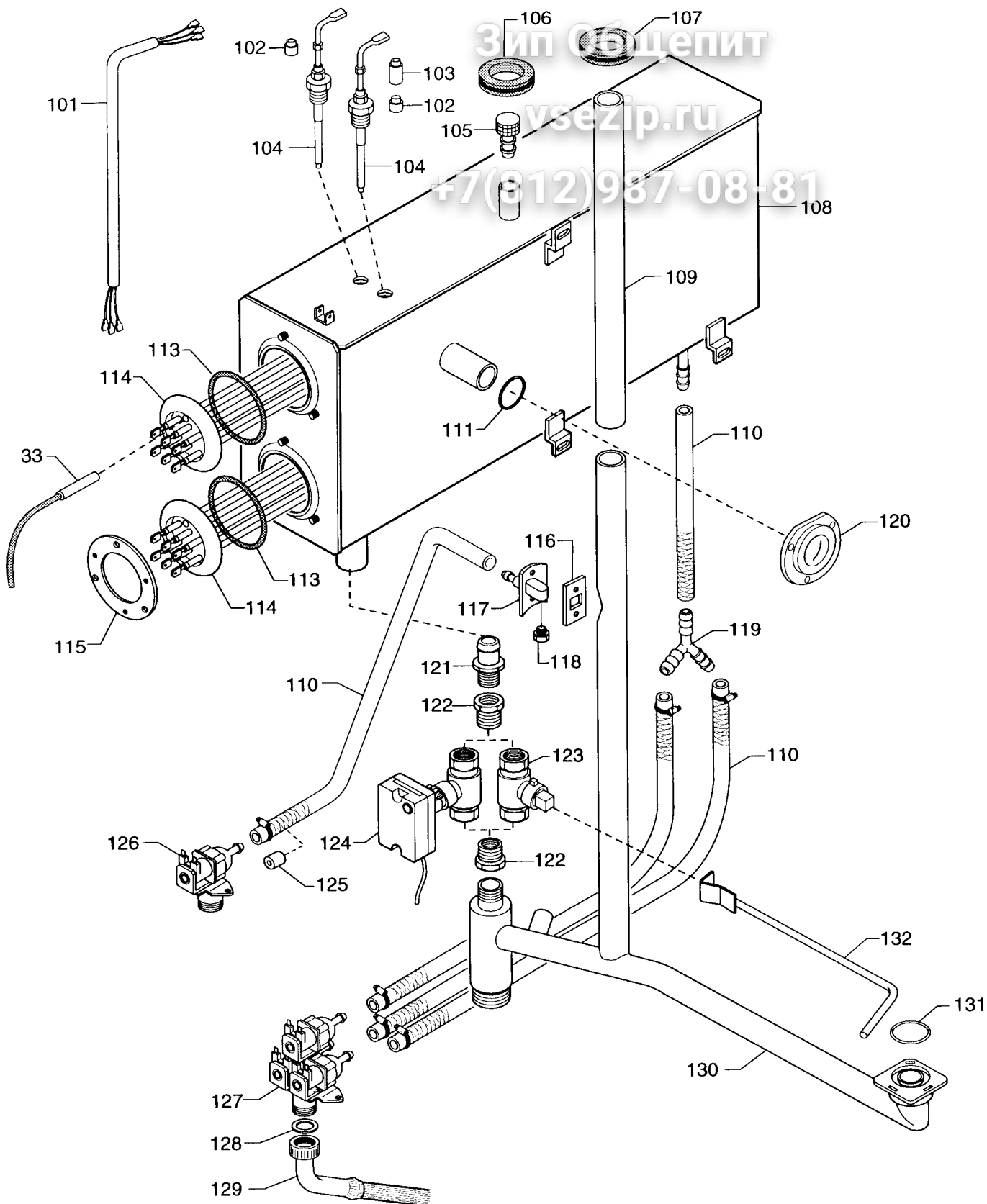
From ser. nr. / Da Ser. Nr.: 835.....

Page: 2

Ed. 9902

Doc. Nr.:

3 - 12 206



20 GN1/1 AND 20 GN2/1 ELECTRIC STEAM - CONVECTION OVEN
 FORNO CONVEZIONE-VAPORE ELETTRICO 20 GN1/1 E 20 GN2/1

5714-3 / 5717-3

From ser. nr. / Da Ser. Nr.: 835.....

Page: 3

Ed. 9902

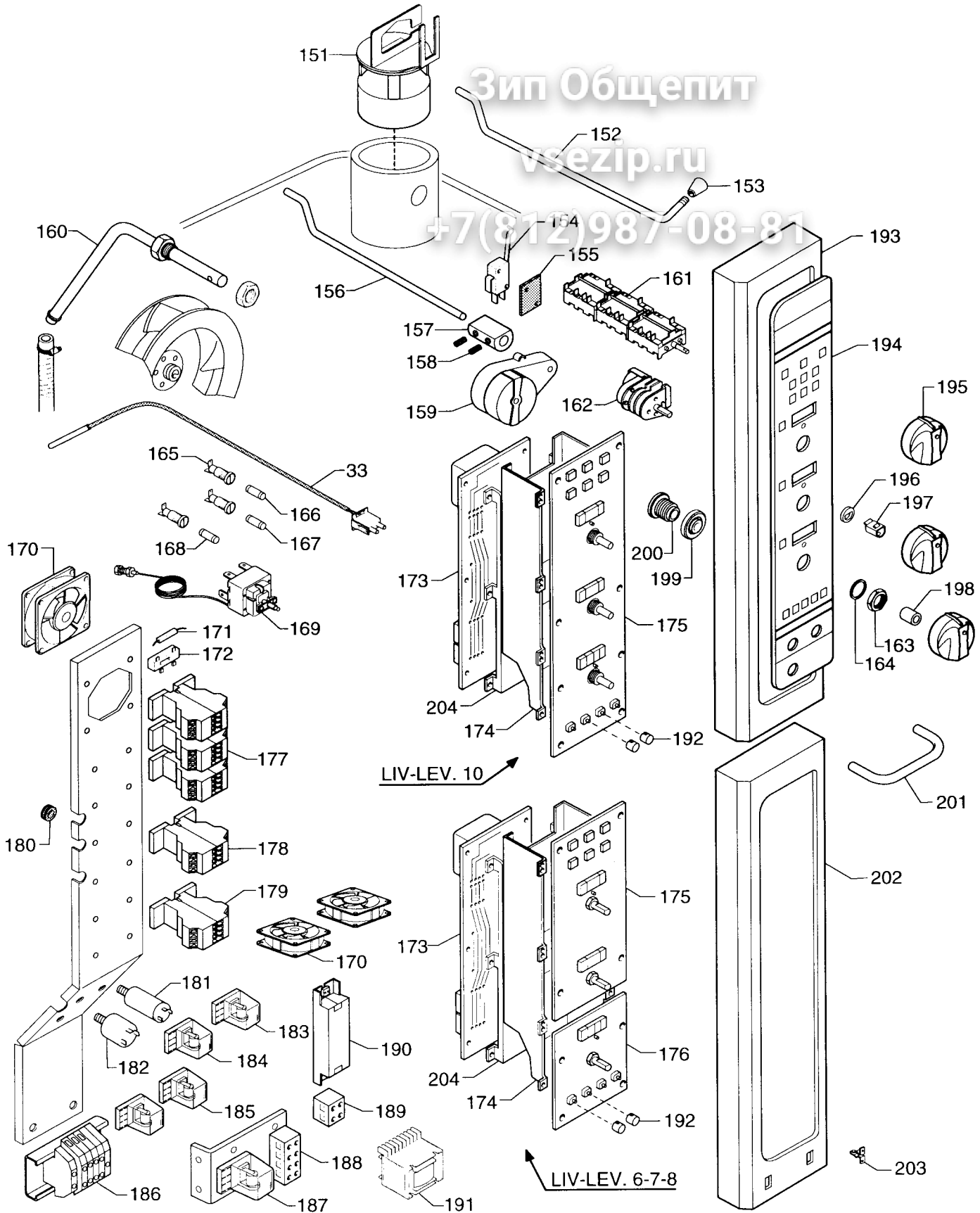
Doc. Nr.:

3 - 12 206

Зип Общепит

vsezip.ru

+7(812)987-08-81



20 GN1/1 AND 20 GN2/1 ELECTRIC STEAM - CONVECTION OVEN
FORNO CONVEZIONE-VAPORE ELETTRICO 20 GN1/1 E 20 GN2/1

5714-3 / 5717-3

From ser. nr. / Da Ser. Nr.: 835.....

Page: 4

Ed. 0003

Doc. Nr.:

3 - 12 206

20 GN1/1 AND 20 GN 2/1 ELECTRIC STEAM-CONVECTION OVEN
FORNO CONVEZIONE-VAPORE ELETTRICO 20 GN1/1 E 20 GN 2/1

+7(812)987-08-81

PNC	Model	Ref.	Page	Notes
260301	5714 - 3 - 7	b	1-2-3-5-6	Level 7
260302	5714 - 3 - 8	c	1-2-3-5-6	Level 8
260303	5714 - 3 - 8E	d	1-2-3-5-6	Level 8
260304	5714 - 3 - 10	e	1-2-3-5-6	Level 10
				air o steam FCV/E 20 1/1
260311	5717 - 3 - 7	g	1-2-4-5-6	Level 7
260312	5717 - 3 - 8	h	1-2-4-5-6	Level 8
260313	5717 - 3 - 8E	l	1-2-4-5-6	Level 8
260314	5717 - 3 - 10	m	1-2-4-5-6	Level 10
260315 (1)	5717 - 3 - 8M	n	1-2-4-5-6	Level 8
260317 (2)	5717 - 3 - 8M	n	1-2-4-5-6	Level 8
				air o steam FCV/E 20 2/1

(1) Out production from Serial Nr. 119...

(2) In production from Serial Nr. 120...

Indice

Pag. 1	Oven cabinet
2	Oven door
3	Boiler and components
4	Boiler and components
5	Electrical components
6	Control panel level 7-8-10
7-12	Lista ricambi

Index

Cella forno
Porta forno
Boiler e componenti
Boiler e componenti
Componenti elettrici
Cruscotto comandi livello 7-8-10
Spare parts list

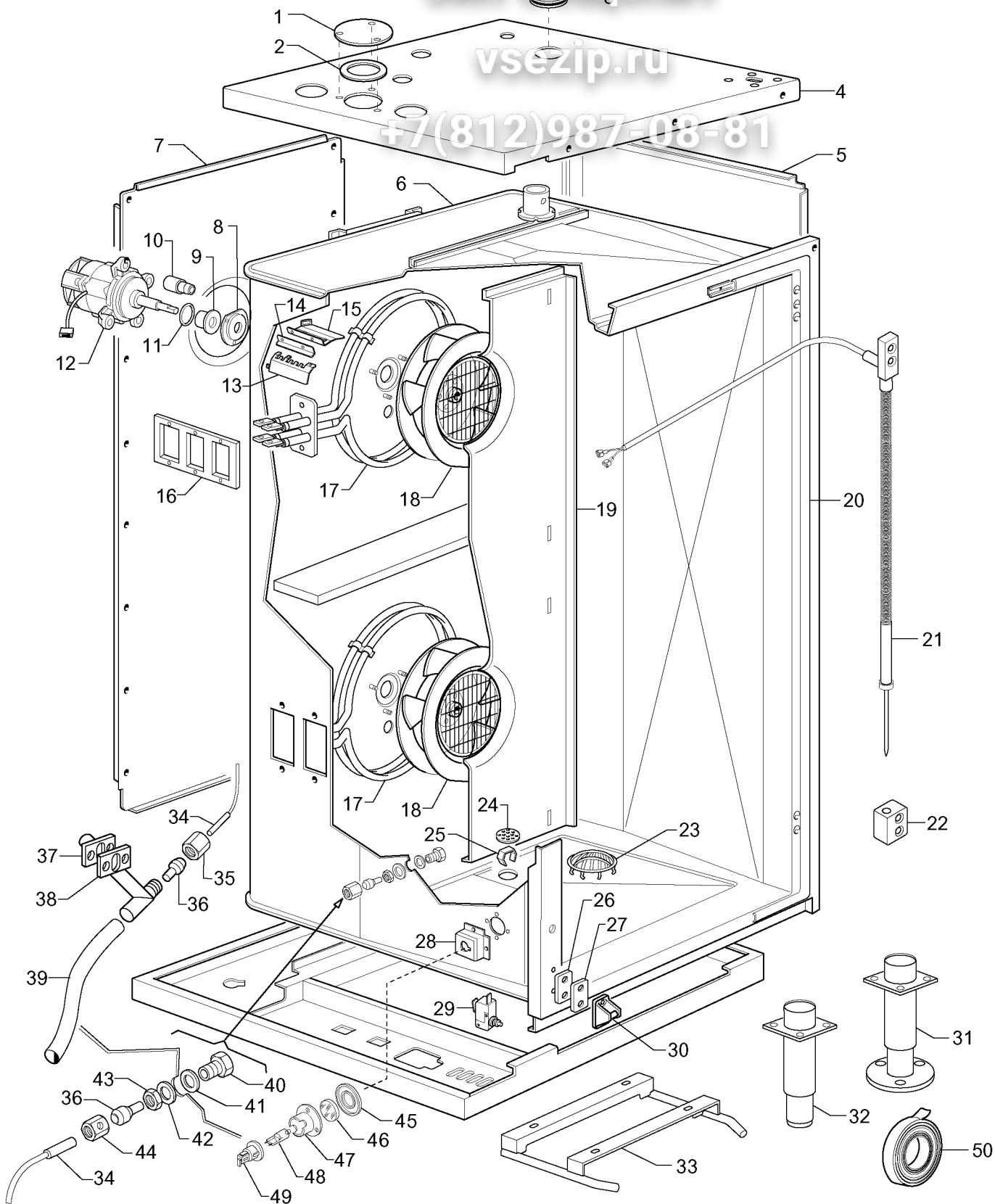
Marchio / Brand: J
Paese / Country: Tutti / All
Factory code: 9731

OS/DOC

From ser. nr. / Da Ser. Nr.: 036.....

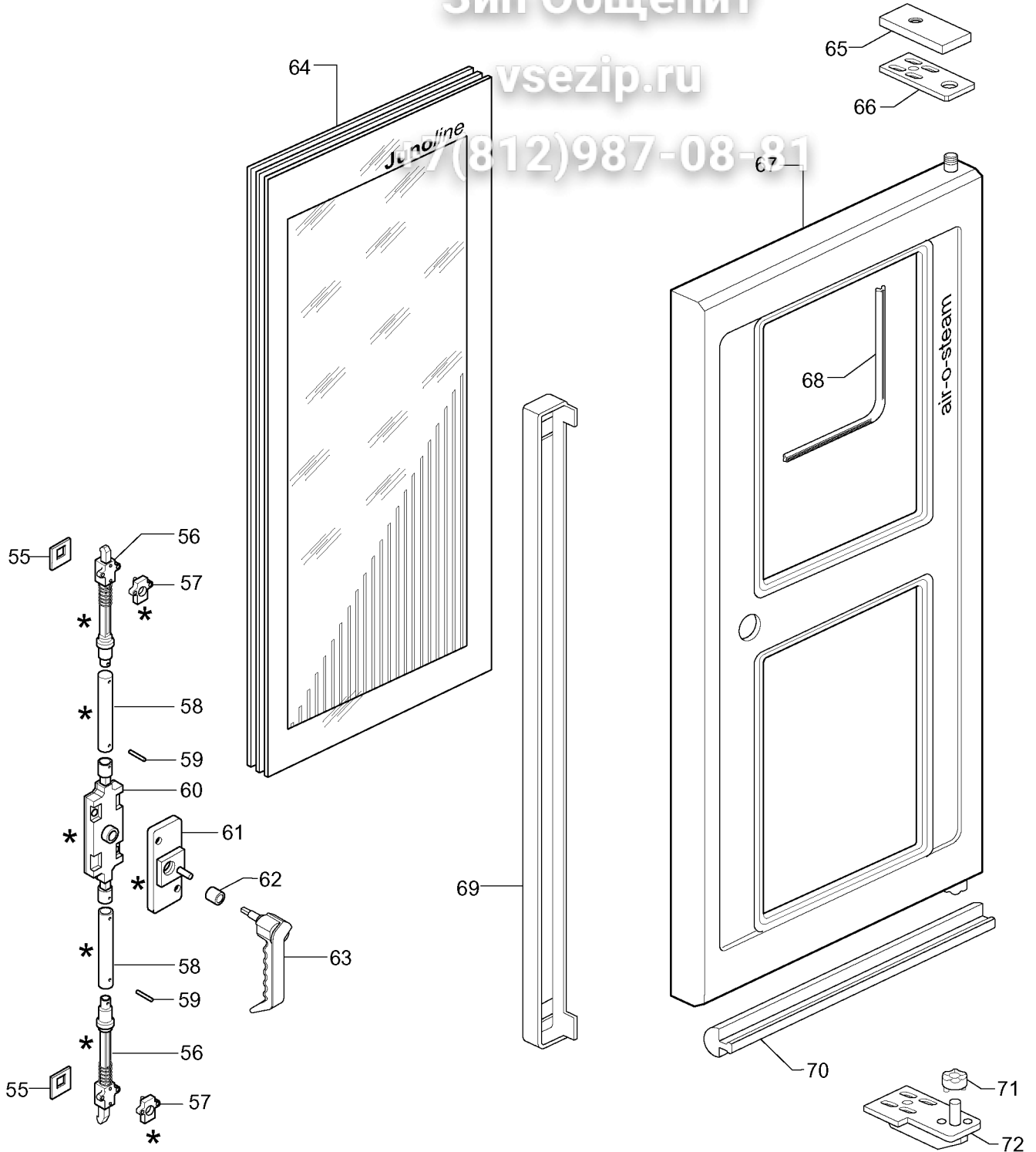
Ed.01-06

 Doc. Nr.: **3 - 12 206 a**



20 GN1/1 AND 20 GN2/1 ELECTRIC STEAM - CONVECTION OVEN
FORNO CONVEZIONE-VAPORE ELETTRICO 20 GN1/1 E 20 GN2/1

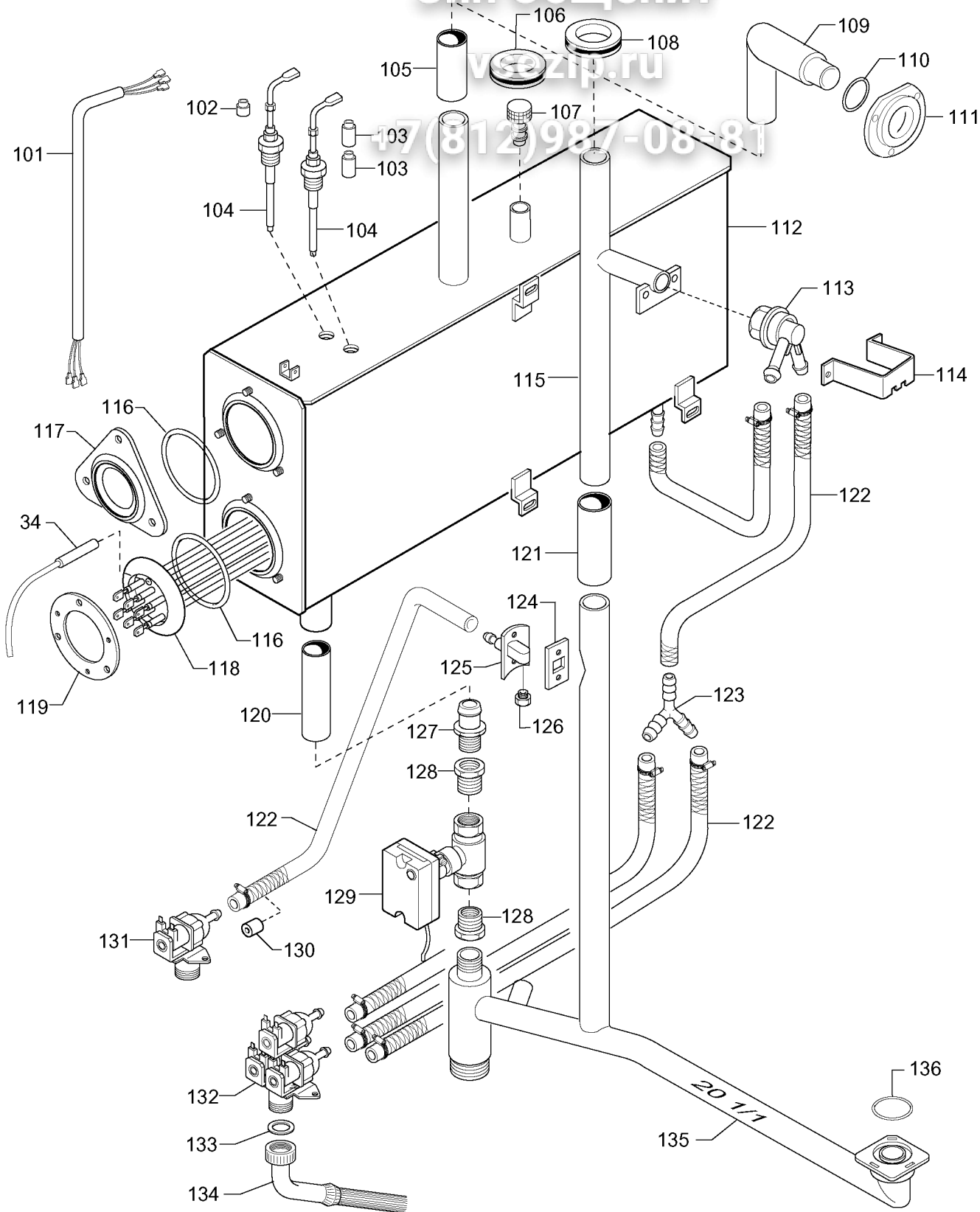
5714-3 / 5717-3



73 * { LEVER HOOK LOCK ASSEMBLY
 ASSIEME CHIUSURA

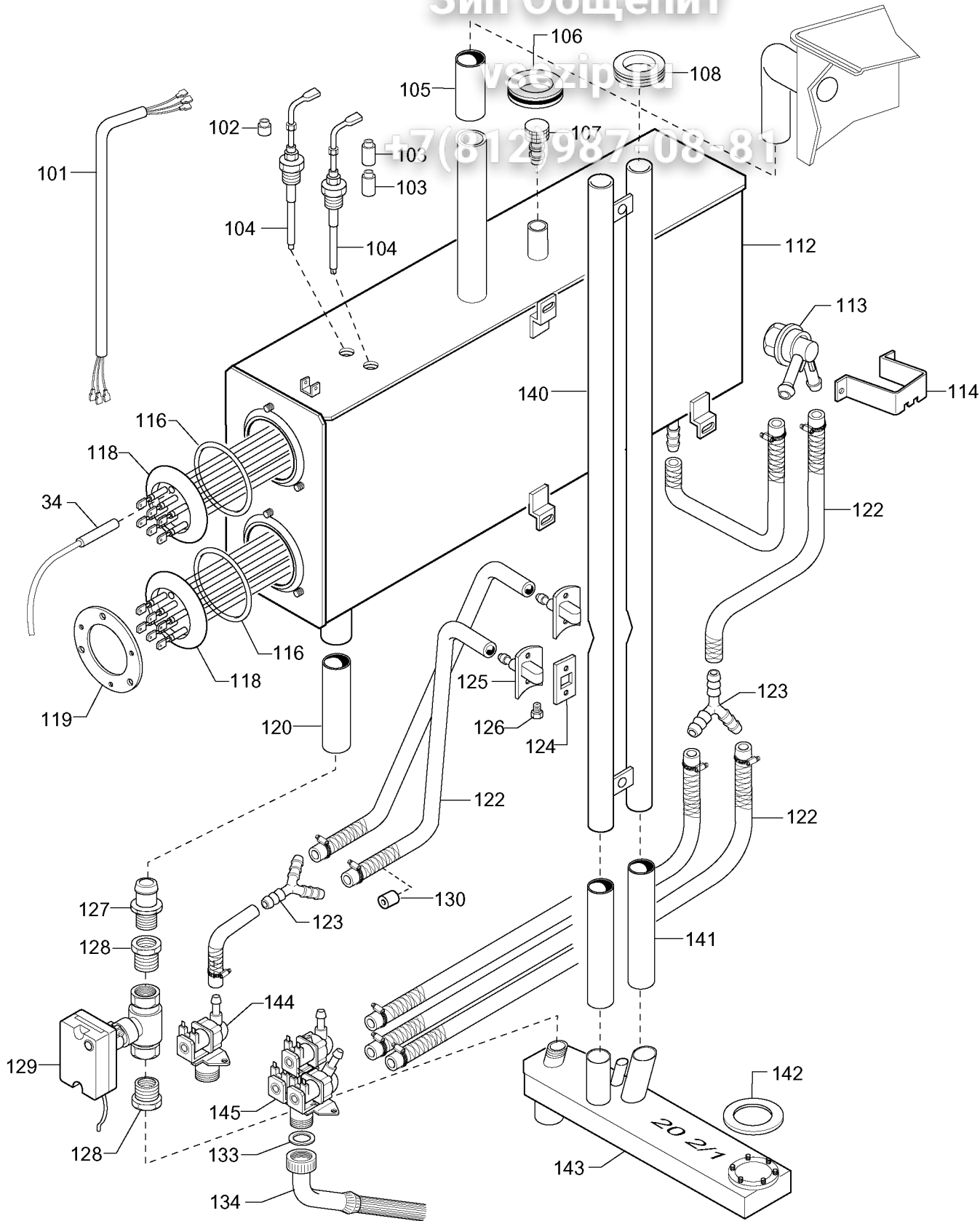
20 GN1/1 AND 20 GN2/1 ELECTRIC STEAM - CONVECTION OVEN
 FORNO CONVEZIONE-VAPORE ELETTRICO 20 GN1/1 E 20 GN2/1

5714-3 / 5717-3

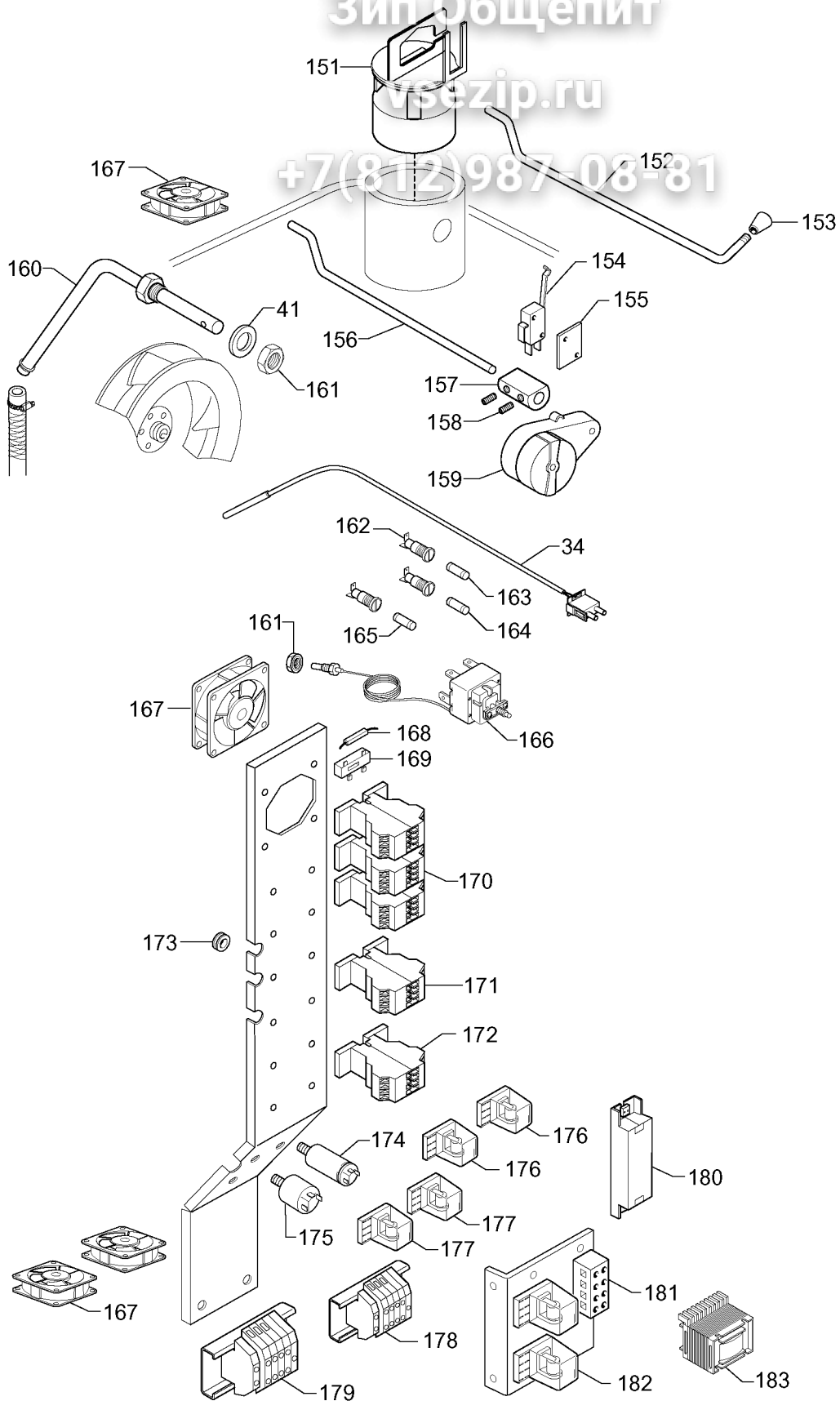


20 GN1/1 ELECTRIC STEAM - CONVECTION OVEN 5714-3
FORNO CONVEZIONE-VAPORE ELETTRICO 20 GN1/1

vseziro.ru
+7(812)987-08-81

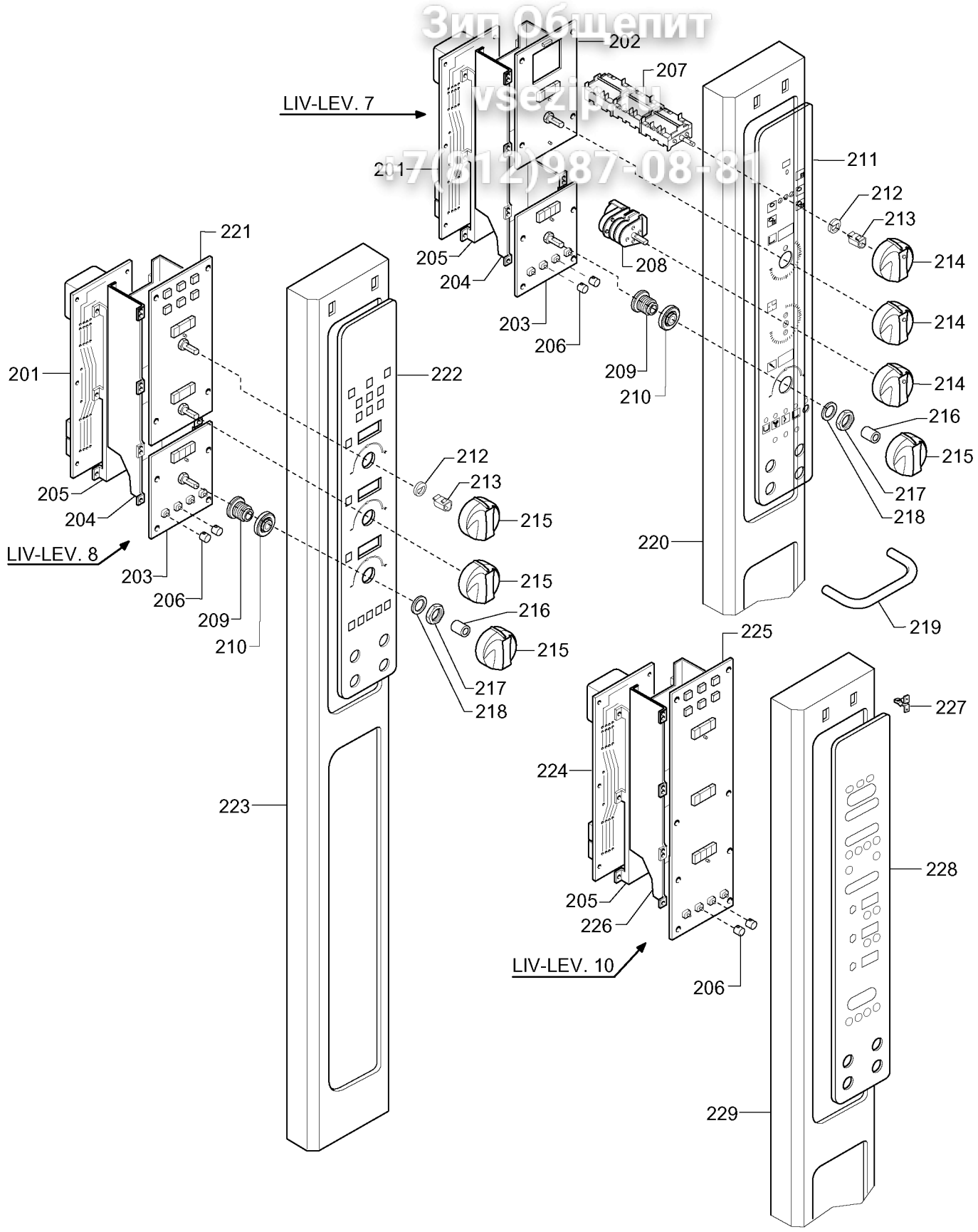


20 GN2/1 ELECTRIC STEAM - CONVECTION OVEN
FORNO CONVEZIONE-VAPORE ELETTRICO 20 GN2/1 5717-3



20 GN1/1 AND 20 GN2/1 ELECTRIC STEAM - CONVECTION OVEN
FORNO CONVEZIONE-VAPORE ELETTRICO 20 GN1/1 E 20 GN2/1

5714-3 / 5717-3



20 GN1/1 AND 20 GN2/1 ELECTRIC STEAM - CONVECTION OVEN
FORNO CONVEZIONE-VAPORE ELETTRICO 20 GN1/1 E 20 GN2/1

5714-3 / 5717-3