

**FORNO CONVEZIONE VAPORE GAS 20GN1/1, 20GN2/1 Liv.3 - 4
 20GN1/1, 20GN2/1 Lev.3 - 4, GAS STEAM - CONVECTION OVEN**
+7(812)987-08-81

PNC	Model	Ref.	Page	Notes	
240 106	FCV/G201/1 L3	a	1-2-3-4-5-6-7	Zanussi	Level/livello 3
240 108	FCV/G202/1 L3	b	1-2-3-4-5-6-7	Zanussi	Level/livello 3
260 766	ECV/G201/1 T4	c	1-2-3-4-5-6-7	Electrolux	Level/livello 4
260 768	ECV/G202/1 T4	d	1-2-3-4-5-6-7	Electrolux	Level/livello 4
775 066	ZCV/G201/1 T4	e	1-2-3 -5-6-7	Zoppas	Level/livello 4, Out of P.035
775 068	ZCV/G202/1 T4	f	1-2-3 -5-6-7	Zoppas	Level/livello 4, Out of P.035
697 836	ACV/G201/1 C4	g	1-2-3-4-5-6-7	Alpeninox	Level/livello 4
697 838	ACV/G202/1 C4	h	1-2-3-4-5-6-7	Alpeninox	Level/livello 4
260 776	ECV/G201/1 T4	i	1-2-3-4-5-6-7	Electrolux-Japan 60Hz	Level/livello 4

Indice

Pag. 1	Cella forno
2	Ass.porta e struttura carellata
3	Componenti gas, con util. Valvola Gas SIT-830/836TANDEM, fino a matricola 130...
4	Componenti gas, con util. valvola gas HONEYWELL VK4105, da matricola 131...
5	Boiler e componenti circuito idraulico
6	Componenti elettrici
7	Pannello comandi
7-15	Lista ricambi

Index

Oven cabinet
Door ass.ly and slide-in-rack
Gas components, using a SIT- 830/836-TANDEM Gas Valve , till to SN130...
Gas components, using an HONEYWELL-VK4105 Gas Valve, from SN131...
Boiler and hydraulic circuit components
Electrical components
Control panel
Spare parts list

Marchio / Brand: Z-E-P-A
Paese / Country: Tutti / All
Factory code: 9PDX

Da Ser. Nr. / From ser. nr.: 522.....

Ed. 02-01

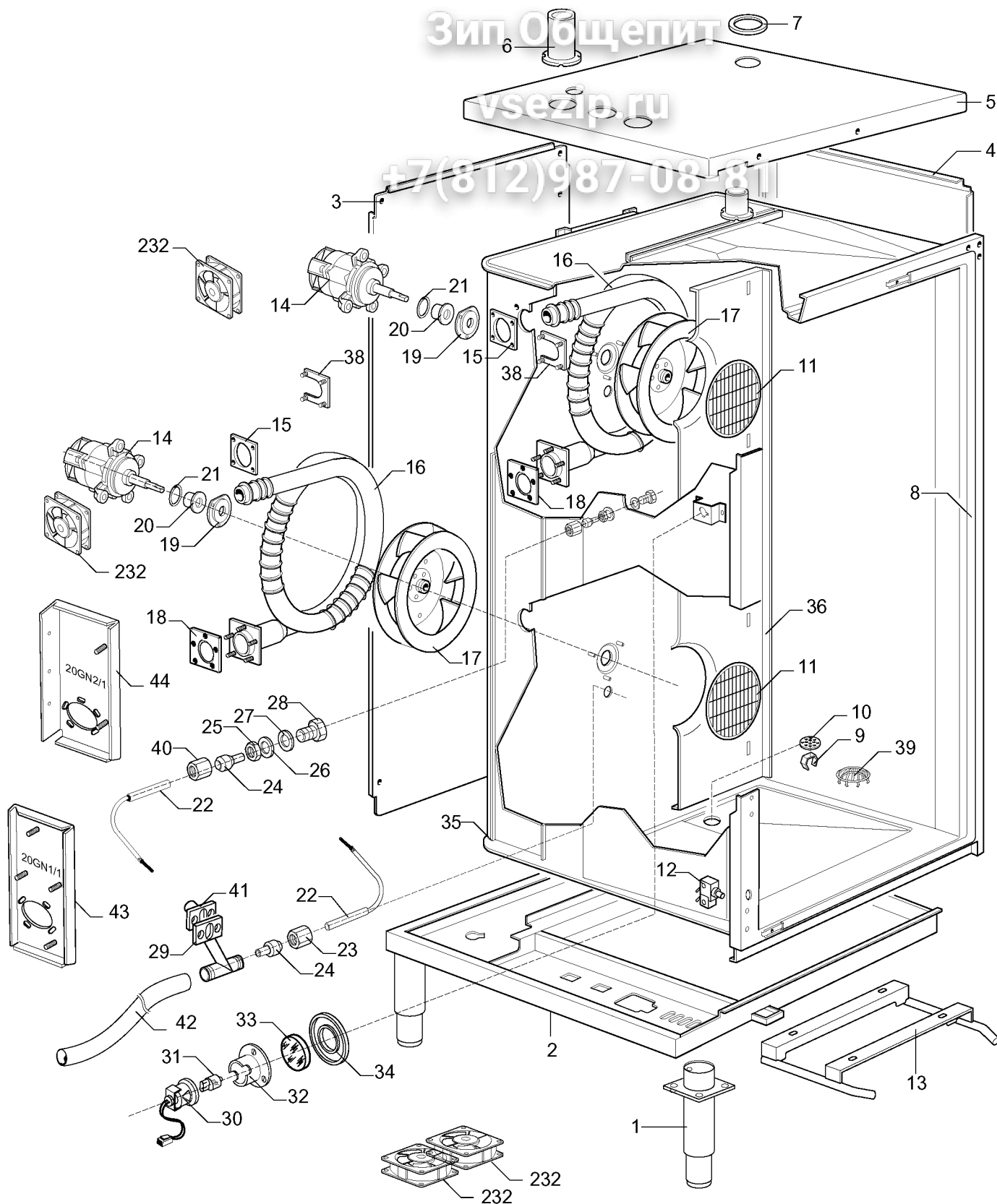
Doc. Nr.:

3 - 11 014

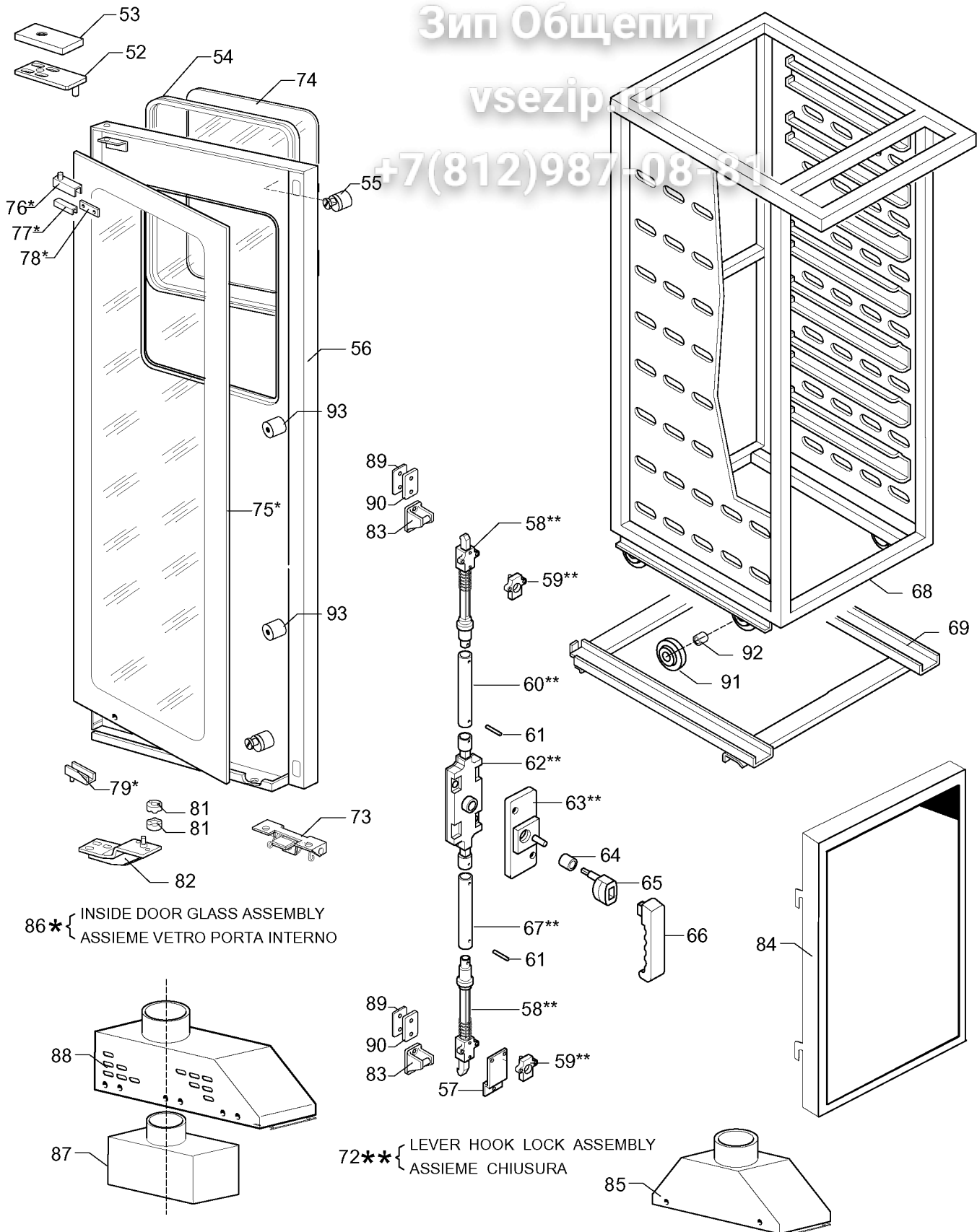
Зип.Общепит

vsezip.ru

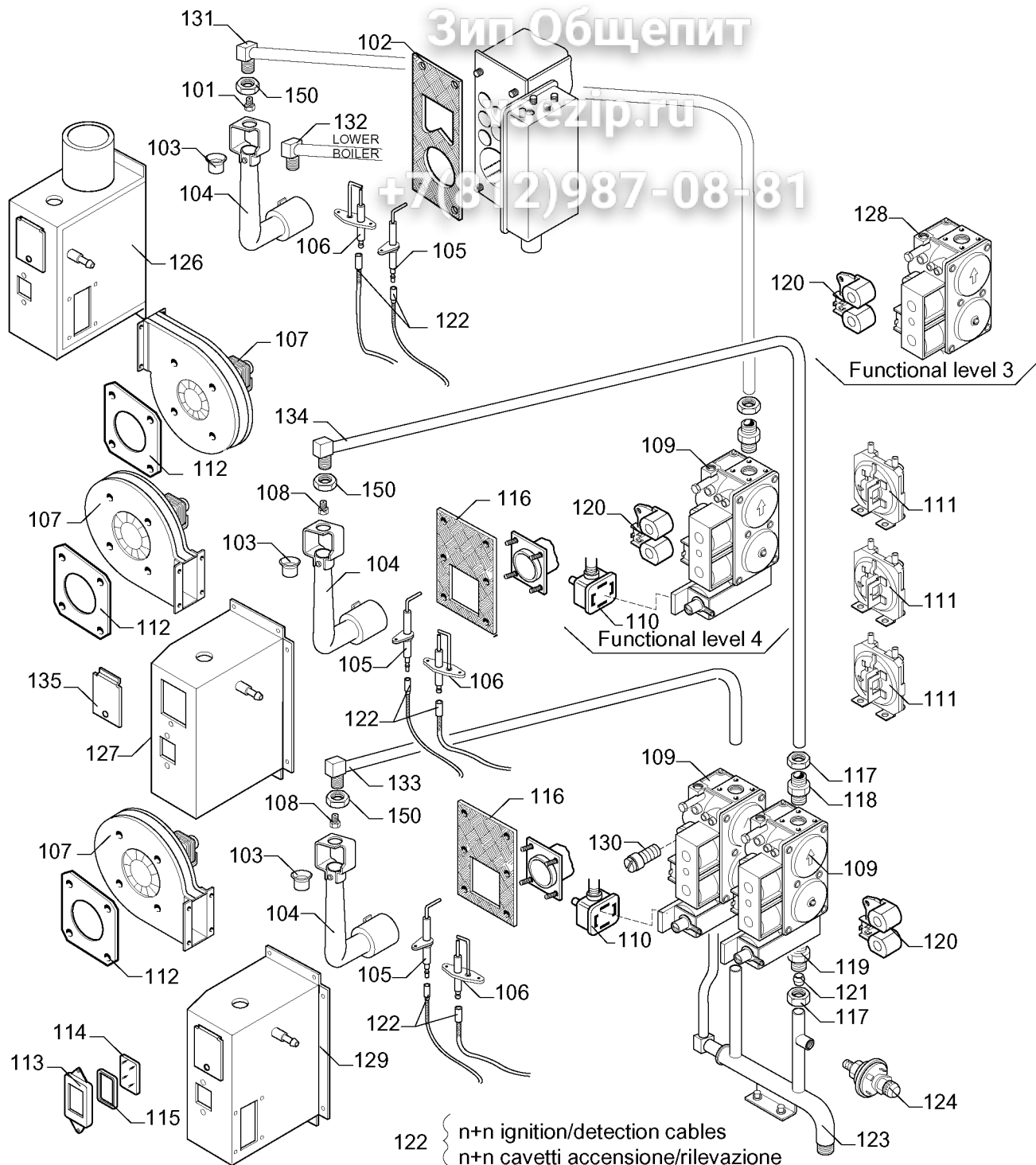
+7(812)987-08181



FORNO CONVEZIONE-VAPORE GAS 20GN1/1, 20GN2/1 Liv. 3 - 4
20GN1/1, 20GN2/1 Lev. 3 - 4, GAS STEAM - CONVECTION OVEN

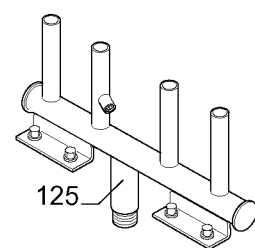


FORNO CONVEZIONE-VAPORE GAS 20GN1/1, 20GN2/1 Liv. 3 - 4
 20GN1/1, 20GN2/1 Lev. 3 - 4, GAS STEAM - CONVECTION OVEN



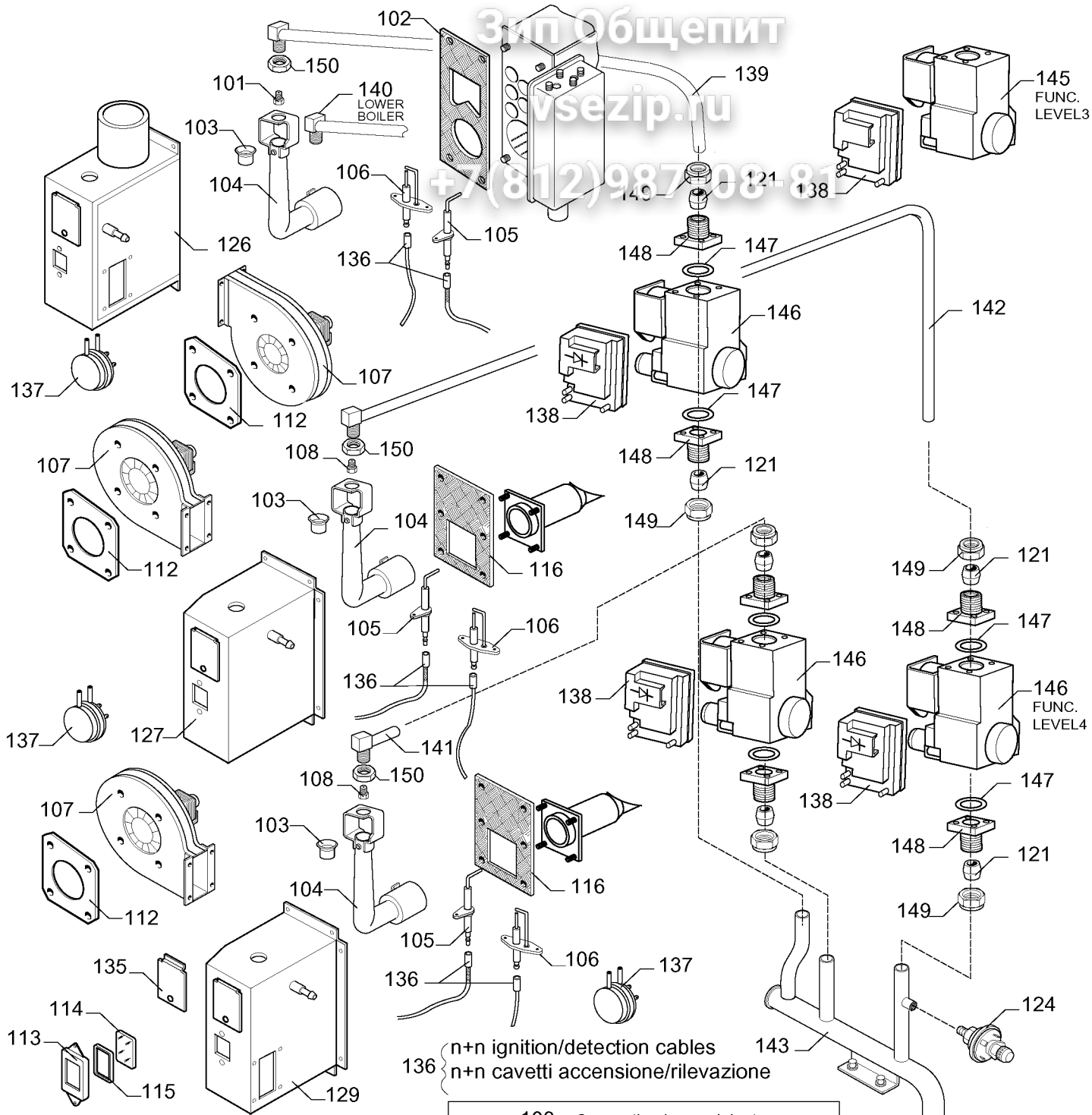
101 = Boiler burner injector					
0A2174	∅ 2,65	3+	28-30/37mbar	aceg	
0A2081	∅ 2,30	3B/P	50mbar	aceg	
059632	∅ 4,05	2H,2E+	20mbar	aceg	
005045	∅ 4,30	2L	25mbar	aceg	
059423	∅ 4,60	2ELL	20mbar	aceg	
059382	∅ 2,50	3+	28-30/37mbar	bdfh	
0A2083	∅ 2,20	3B/P	50mbar	bdfh	
005243	∅ 4,10	2H,2E+	20mbar	bdfh	
005045	∅ 4,30	2L	25mbar	bdfh	
002864	∅ 4,50	2ELL	20mbar	bdfh	
059383	∅ 2,80	G.P.L.	25mbar	I	
002979	∅ 3,80	G.N.		I	

108 = Convection burner injector					
0A2081	∅ 2,30	3+	28-30/37mbar	aceg	
0A2102	∅ 2,00	3B/P	50mbar	aceg	
0A5170	∅ 3,50	2H,2E+	20mbar	aceg	
0A2299	∅ 3,70	2L	25mbar	aceg	
002866	∅ 3,90	2ELL	20mbar	aceg	
059358	∅ 2,85	3+	28-30/37mbar	bdfh	
0A2104	∅ 2,40	3B/P	50mbar	bdfh	
002864	∅ 4,50	2H,2E+	20mbar	bdfh	
003951	∅ 4,70	2L	25mbar	bdfh	
0A2106	∅ 5,00	2ELL	20mbar	bdfh	
0A2570	∅ 2,60	G.P.L.	25mbar	I	
002979	∅ 3,80	G.N.		I	



FORNO CONVEZIONE-VAPORE GAS 20GN1/1, 20GN2/1 Liv. 3 - 4
 20GN1/1, 20GN2/1 Lev.3 - 4, GAS STEAM - CONVECTION OVEN
 SIT 830/836-TANDEM Gas Valve , till to SN130...

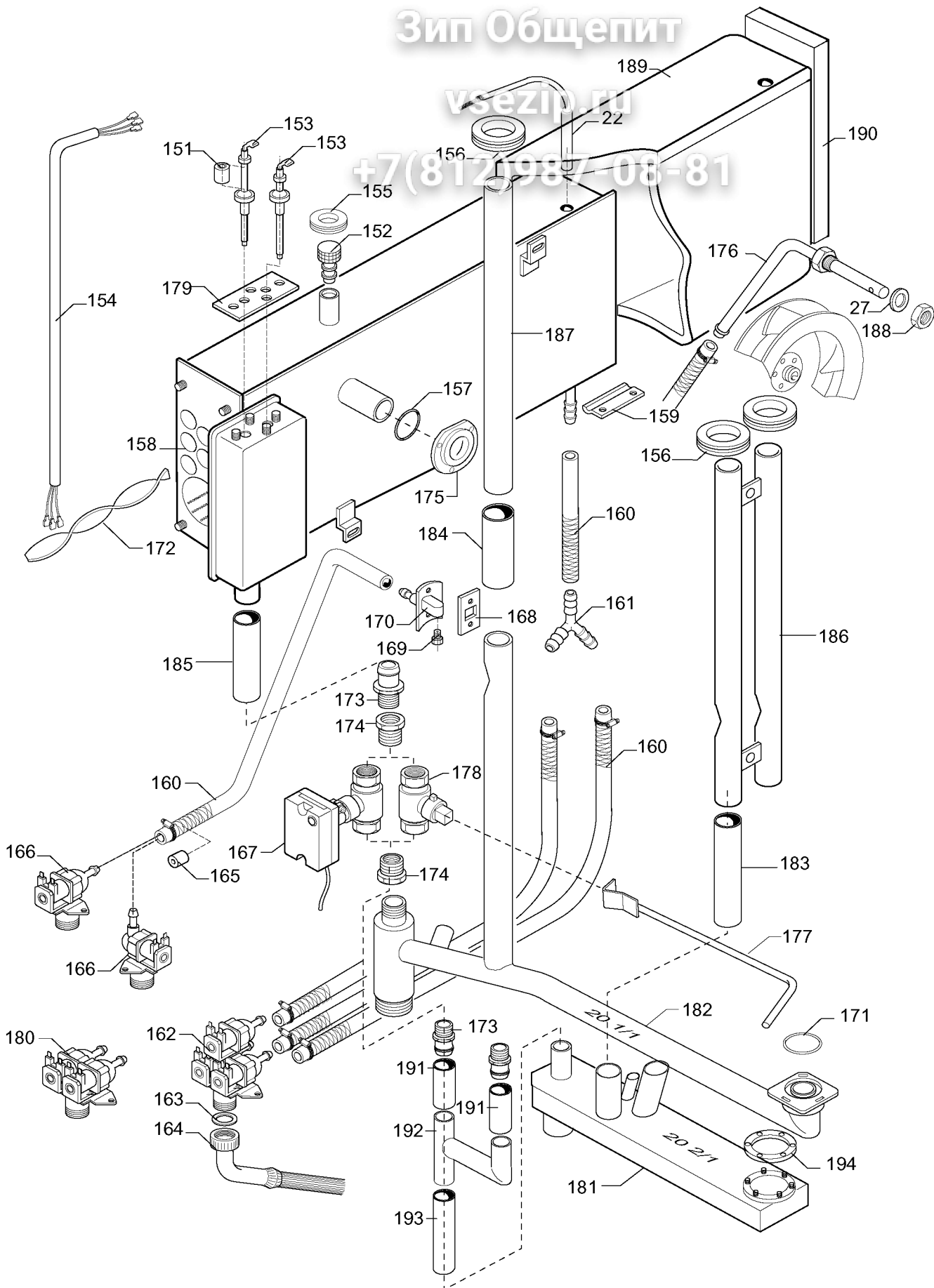
3ip Общепит
vsezip.ru
+7(812)987008-81



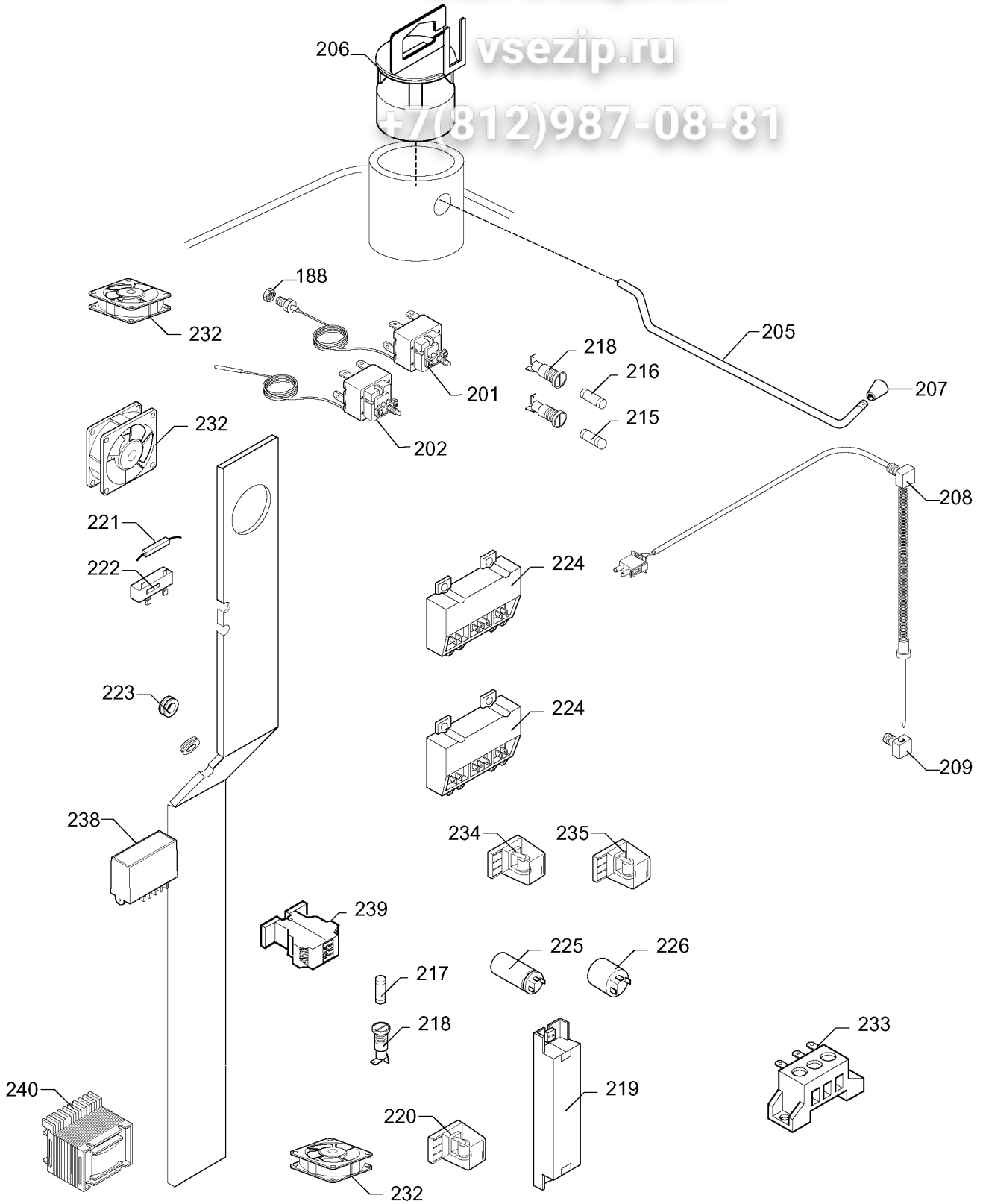
101 = Boiler burner injector				
059382	∅ 2,50	3+ 28-30/37mbar	acgbdh	
0A2083	∅ 2,20	3B/P 50mbar	acgbdh	
002979	∅ 3,80	2H,2E+ 20mbar	acgbdh	
0A2306	∅ 4,00	2L 25mbar	acgbdh	
0A2112	∅ 4,40	2ELL 20mbar	acgbdh	
059383	∅ 2,80	G.P.L. 25mbar	I	
002979	∅ 3,80	G.N.	I	

108 = Convection burner injector				
0A2475	∅ 2,25	3+ 28-30/37mbar	acg	
0A2301	∅ 1.95	3B/P 50mbar	acg	
002782	∅ 3,40	2H,2E+ 20mbar	acg	
059359	∅ 3,60	2L 25mbar	acg	
002979	∅ 3,80	2ELL 20mbar	acg	
0A2570	∅ 2,60	G.P.L. 25mbar	I	
002979	∅ 3,80	G.N.	I	
059358	∅ 2,85	3+ 28-30/37mbar	bdh	
058980	∅ 2,45	3B/P 50mbar	bdh	
005045	∅ 4,30	2H,2E+ 20mbar	bdh	
002864	∅ 4,50	2L 25mbar	bdh	
059040	∅ 4,80	2ELL 20mbar	bdh	

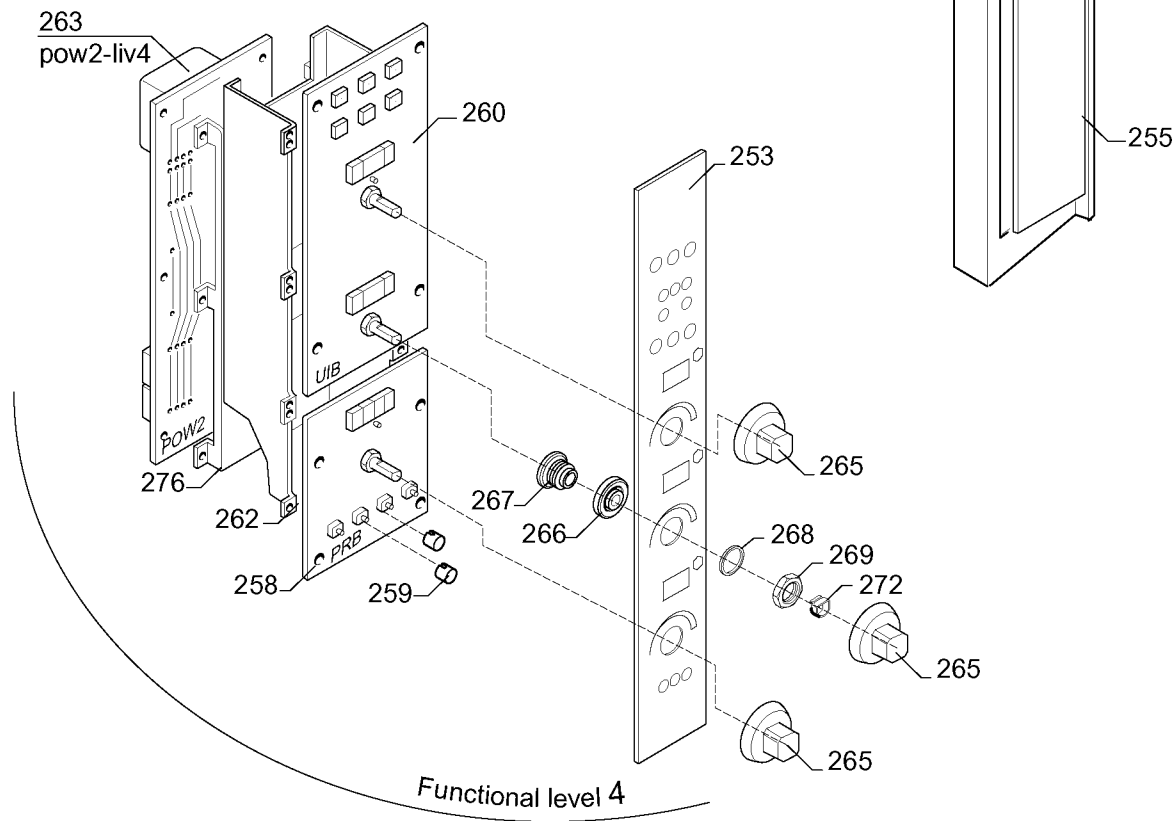
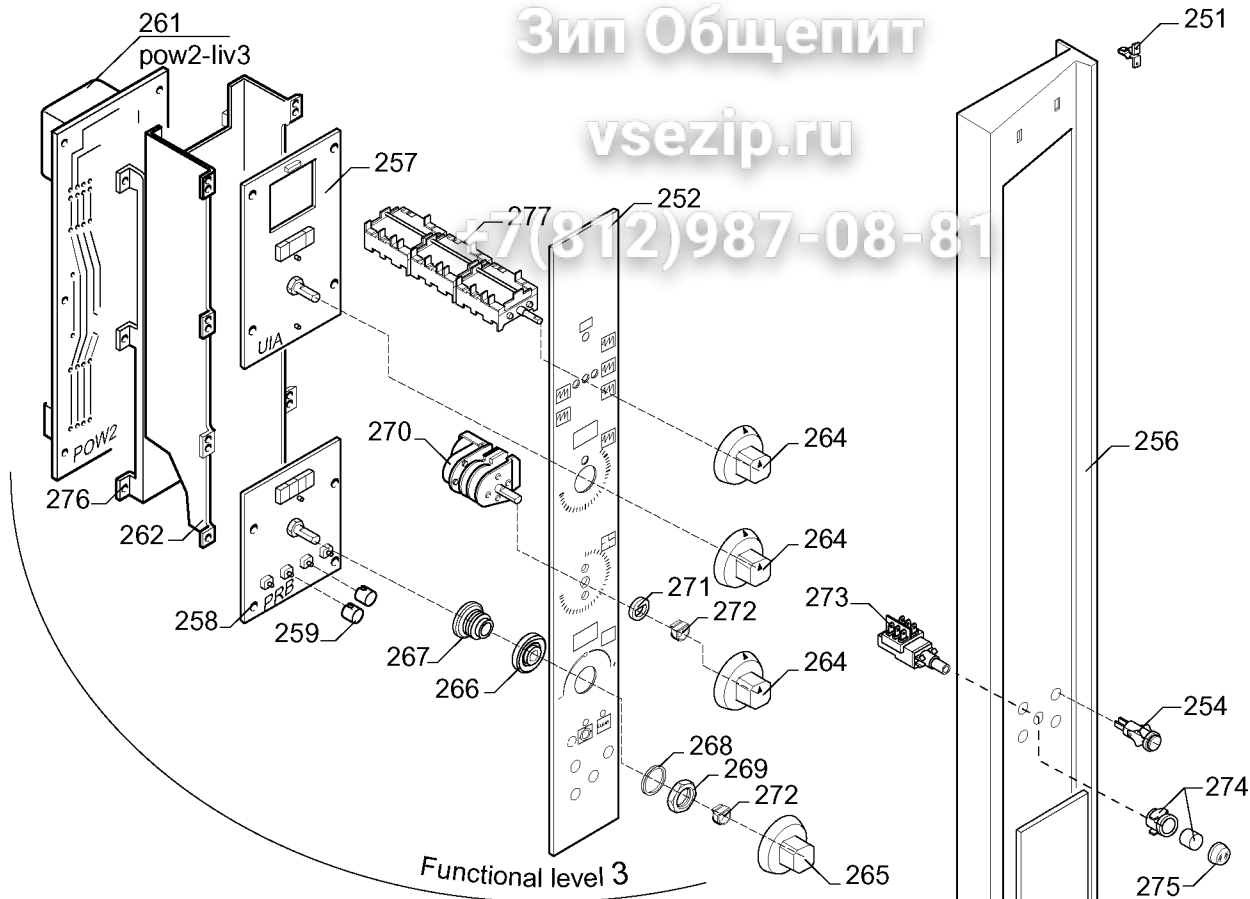
FORNO CONVEZIONE-VAPORE GAS 20GN1/1, 20GN2/1 Liv. 3 - 4 HONEYWELL VK4105 ... Gas Valve version,
20GN1/1, 20GN2/1 Lev.3 - 4, GAS STEAM - CONVECTION OVEN from SN 130...



FORNO CONVEZIONE-VAPORE GAS 20GN1/1, 20GN2/1 Liv.3 - 4
20GN1/1, 20GN2/1 Lev.3 - 4, GAS STEAM - CONVECTION OVEN



FORNO CONVEZIONE-VAPORE GAS 20GN1/1, 20GN2/1 Liv. 3 - 4
20GN1/1, 20GN2/1 Lev. 3 - 4, GAS STEAM - CONVECTION OVEN



FORNO CONVEZIONE-VAPORE GAS 20GN1/1, 20GN2/1 Liv. 3 - 4
20GN1/1, 20GN2/1 Lev. 3 - 4, GAS STEAM - CONVECTION OVEN