

+7(812)987-08-81

PNC	Model	Ref.	Page	Notes
200 002	HCF/G 810	a	1- 3- 4	Cucina a gas 4 fuochi Zanussi
200 031	HCF/G 1210	b	2- 3- 4	Cucina a gas 6 fuochi Zanussi
200 033	HCF/G 1610	c	1- 3- 4	Cucina a gas 8 fuochi Zanussi
205 001	HFS/G 800	d	1- 3- 4	Forno a gas 800mm Zanussi
200 067	HCF/G 810	e	1- 3- 4	Cucina a gas 4 fuochi town gas Zanussi
200 068	HCF/G 1210	f	2- 3- 4	Cucina a gas 6 fuochi town gas Zanussi
200 069	HCF/G 1610	g	1- 3- 4	Cucina a gas 8 fuochi town gas Zanussi
210 002	ZCF/G 810	l	1- 3- 4	Cucina a gas 4 fuochi Electrolux
210 031	ZCF/G1210	m	2- 3- 4	Cucina a gas 6 fuochi Electrolux
210 033	ZCF/G 1610	n	1- 3- 4	Cucina a gas 8 fuochi Electrolux
215 001	ZFS/G 800	p	1- 3- 4	Forno a gas 800mm Electrolux
210 067	ZCF/G 810	r	1- 3- 4	Cucina a gas 4 fuochi town gas Electrolux
210 068	ZCF/G 1210	s	2- 3- 4	Cucina a gas 6 fuochi town gas Electrolux
210 069	ZCF/G 1610	t	1- 3- 4	Cucina a gas 8 fuochi town gas Electrolux

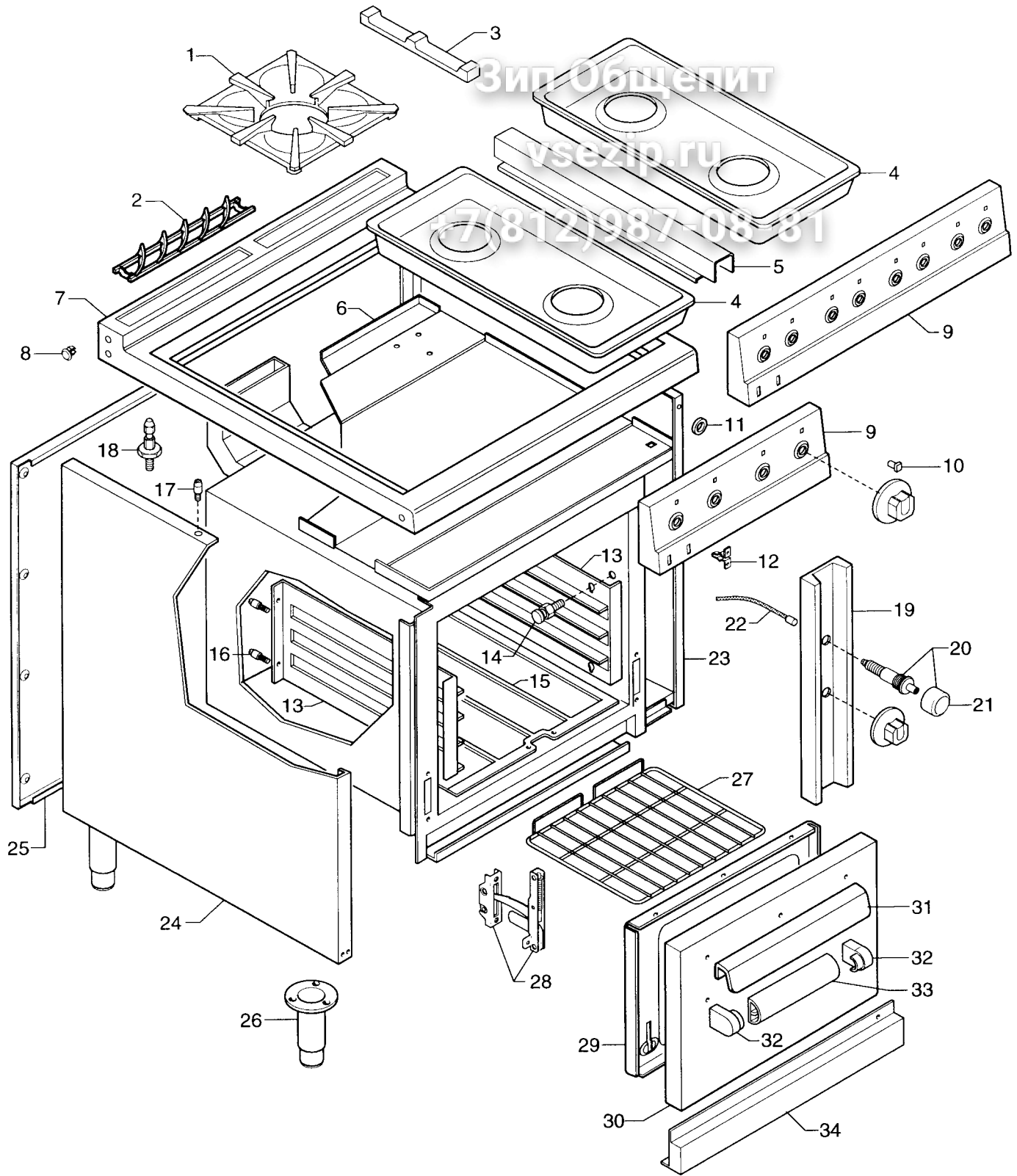
Index

Pag. 1	Cooker top and oven
2	Cooker top and oven + cupboard
3	Gas components
4	Nozzle list
5-9	Spare parts list

Indice

Piano cottura e forno
Piano cottura e forno + armadio
Componenti gas
Tabella ugelli
Lista ricambi

Brand / Marchio : Z- E
Factory code: 9PDX



**COOKER TOP AND OVEN
PIANO COTTURA E FORNO**

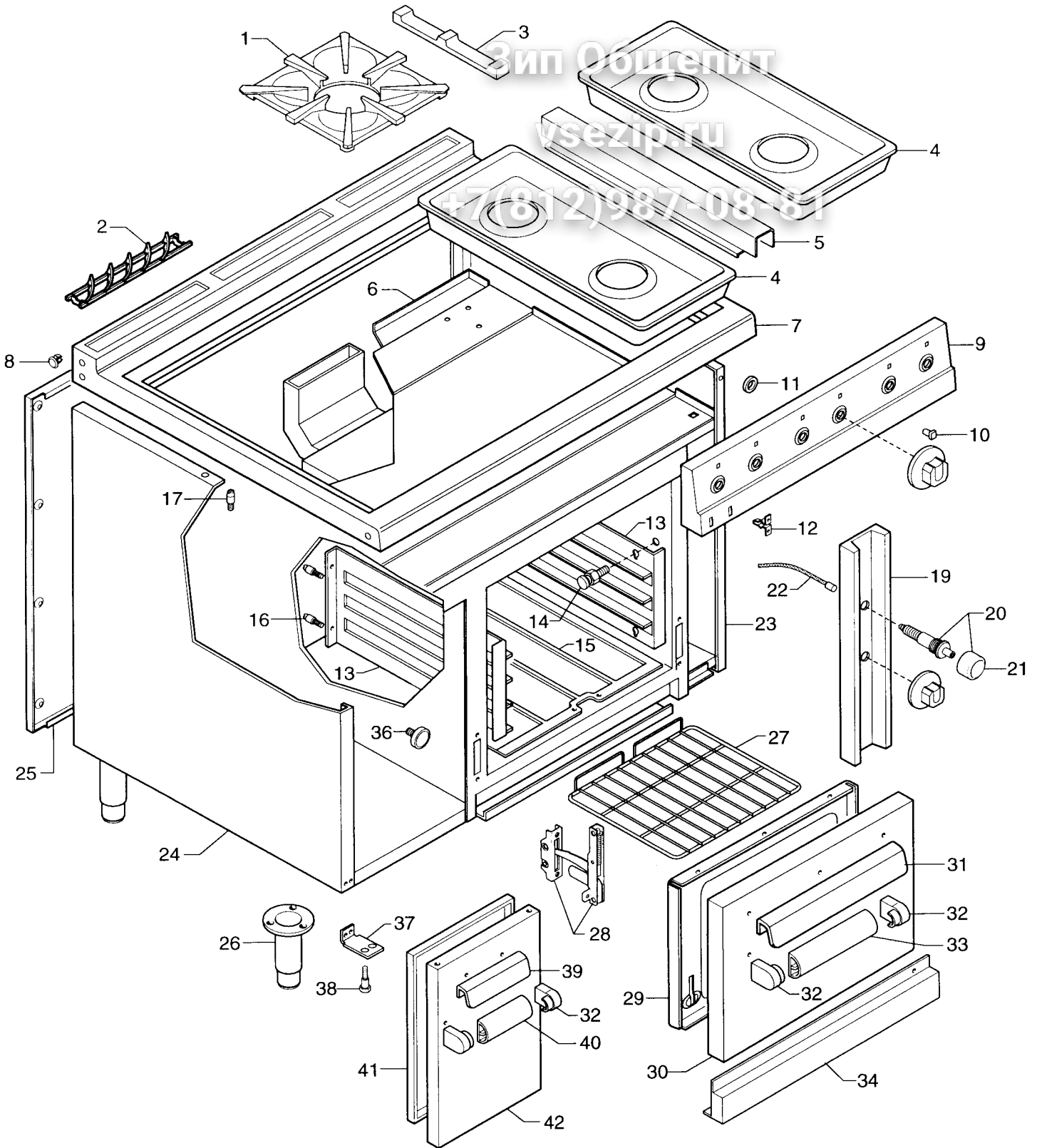
From ser. nr. / Da Ser. Nr.: 301.....

Page: 1

Ed. 0104

Doc. Nr.:

2 - 21 002



COOKER TOP AND OVEN + CUPBOARD
PIANO COTTURA E FORNO + ARMADIO

From ser. nr. / Da Ser. Nr.: 301.....

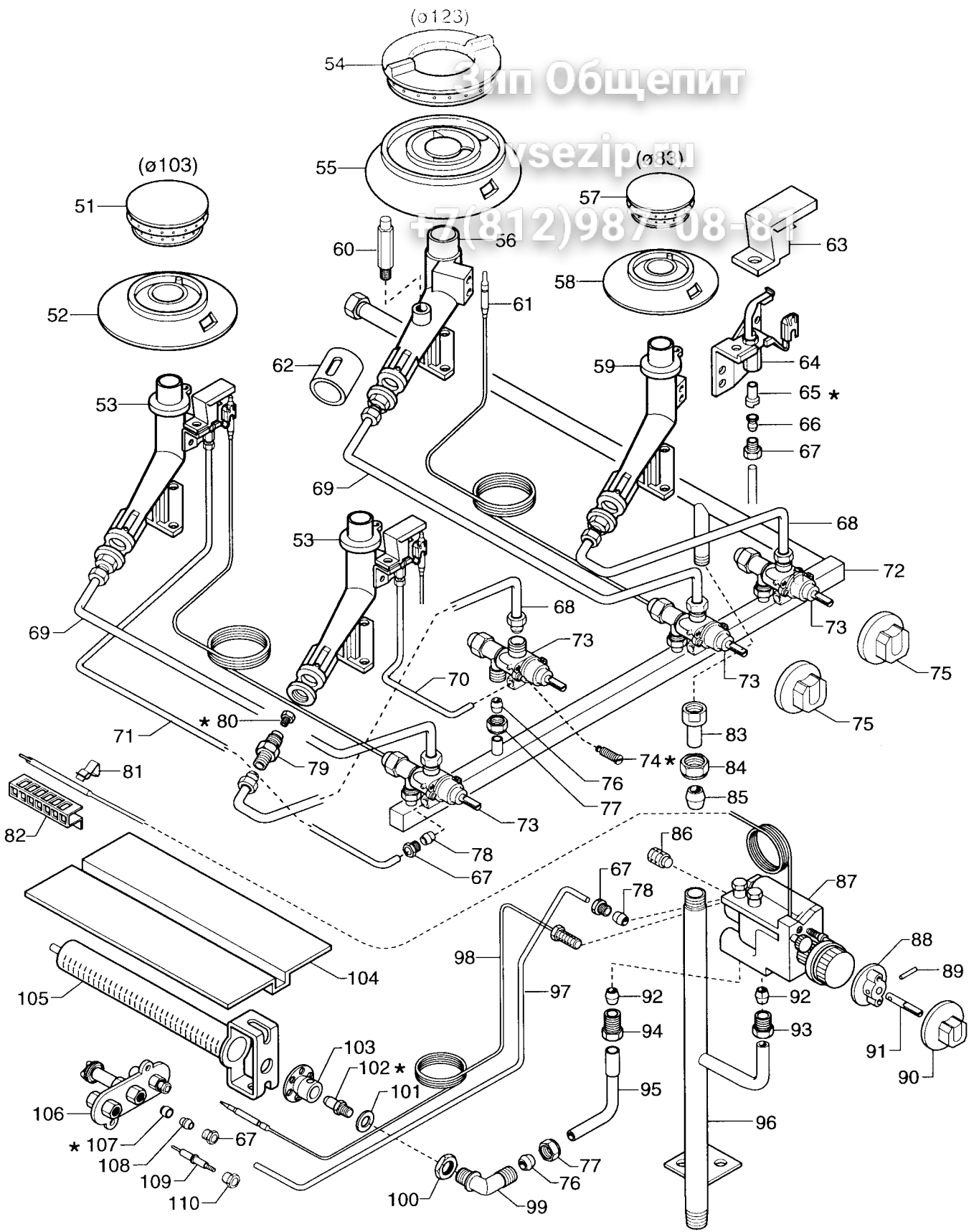
Page: 2

Ed. 0104

Doc. Nr.:

2 - 21 002

Випрощено
 www.ysezip.ru
 +7(812)987-08-87



* NOZZLE LIST SEE PAGE 4 / VEDI PAG. 4 TABELLA UGELLI

COOKER TOP AND OVEN
 PIANO COTTURA E FORNO

NOZZLE LIST / TABELLA UGELLI

80 - Ugello bruciatore / Burner nozzle \varnothing 83	74 - Vite minimo bruciat./ Minimum screw burner \varnothing 83
0A2091 \varnothing 1,45 2H,2E,2E+,2L G20 20mbar 0A2103 \varnothing 1,55 LL G25 20mbar (Germania) 0A2088 \varnothing 0,95 3+,3B/P G30/G31 28-30/37mbar 059357 \varnothing 0,85 3B/P G30/G31 50 mbar (Germania) 059382 \varnothing 2,50 G 120 Gas citta' efrgrst 0A2174 \varnothing 2,65 G 110 Gas citta' efrgrst	002399 \varnothing 0,80 2H,2E,2E+,2L G20 20mbar 002926 \varnothing 0,90 LL G25 20mbar (Germania) 002925 \varnothing 0,50 3+,3B/P G30/G31 28-30/37mbar 002900 \varnothing 0,45 3B/P G30/G31 50 mbar (Germania)

80 - Ugello bruciatore / Burner nozzle \varnothing 103	74 - Vite minimo bruciat./ Minimum screw burner \varnothing 103
056793 \varnothing 1,80 2H,2E,2E+,2L G20 20mbar 0A2102 \varnothing 2,00 LL G25 20mbar (Germania) 0A2650 \varnothing 1,20 3+,3B/P G30/G31 28-30/37mbar 059328 \varnothing 1,05 3B/P G30/G31 50 mbar (Germania) 059627 \varnothing 3,30 G 120 Gas citta' efrgrst 059359 \varnothing 3,60 G 110 Gas citta' efrgrst	002902 \varnothing 1,05 2H,2E,2E+,2L G20 20mbar 002927 \varnothing 1,15 LL G25 20mbar (Germania) 002908 \varnothing 0,70 3+,3B/P G30/G31 28-30/37mbar 002904 \varnothing 0,60 3B/P G30/G31 50 mbar (Germania)

80 - Ugello bruciatore / Burner nozzle \varnothing 123	74 - Vite minimo bruciat./ Minimum screw burner \varnothing 123
0A2083 \varnothing 2,20 2H,2E,2E+,2L G20 20mbar 0A2104 \varnothing 2,40 LL G25 20mbar (Germania) 0A2091 \varnothing 1,45 3+,3B/P G30/G31 28-30/37mbar 002393 \varnothing 1,30 3B/P G30/G31 50 mbar (Germania) 0A2112 \varnothing 4,40 G 120 Gas citta' efrgrst 0A2106 \varnothing 5,00 G 110 Gas citta' efrgrst	002928 \varnothing 1,30 2H,2E,2E+,2L G20 20mbar 003182 \varnothing 1,40 LL G25 20mbar (Germania) 002899 \varnothing 0,80 3+,3B/P G30/G31 28-30/37mbar 002908 \varnothing 0,70 3B/P G30/G31 50 mbar (Germania)

65 - Ugello bruciatore pilota / Pilot burner nozzle
059215 n° 27 2H,2E,2E+,2L G20 20mbar 059215 n° 27 LL G25 20mbar (Germania) 059216 n° 14 3+,3B/P G30/G31 28-30/37mbar 059216 n° 14 3B/P G30/G31 50 mbar (Germania) 059356 n° 50 G 120/G 110 Gas citta' efrgrst

102 - Ugello bruciatore forno / Oven burner nozzle	107 - Ugello bruciatore pilota / Pilot burner nozzle
056471 \varnothing 2,25 2H,2E,2E+,2L G20 20mbar 002267 \varnothing 2,45 LL G25 20mbar (Germania) 056470 \varnothing 1,45 3+,3B/P G30/G31 28-30/37mbar 059364 \varnothing 1,30 3B/P G30/G31 50 mbar (Germania) 004327 \varnothing 4,30 G 120 Gas citta' efrgrst 004326 \varnothing 4,70 G 110 Gas citta' efrgrst	053670 n° 41 2H,2E,2E+,2L G20 20mbar 053670 n° 41 LL G25 20mbar (Germania) 054593 n° 25 3+,3B/P G30/G31 28-30/37mbar 054593 n° 25 3B/P G30/G31 50 mbar (Germania) 053669 n° 75 G 120/G 110 Gas citta' efrgrst

**GAS COOKER TOP
PIANO COTTURA GAS**

From ser. nr. / Da Ser. Nr.: 301.....	Page: 4	Ed. 0104	Doc. Nr.: 2 - 21 002
---------------------------------------	---------	----------	-----------------------------