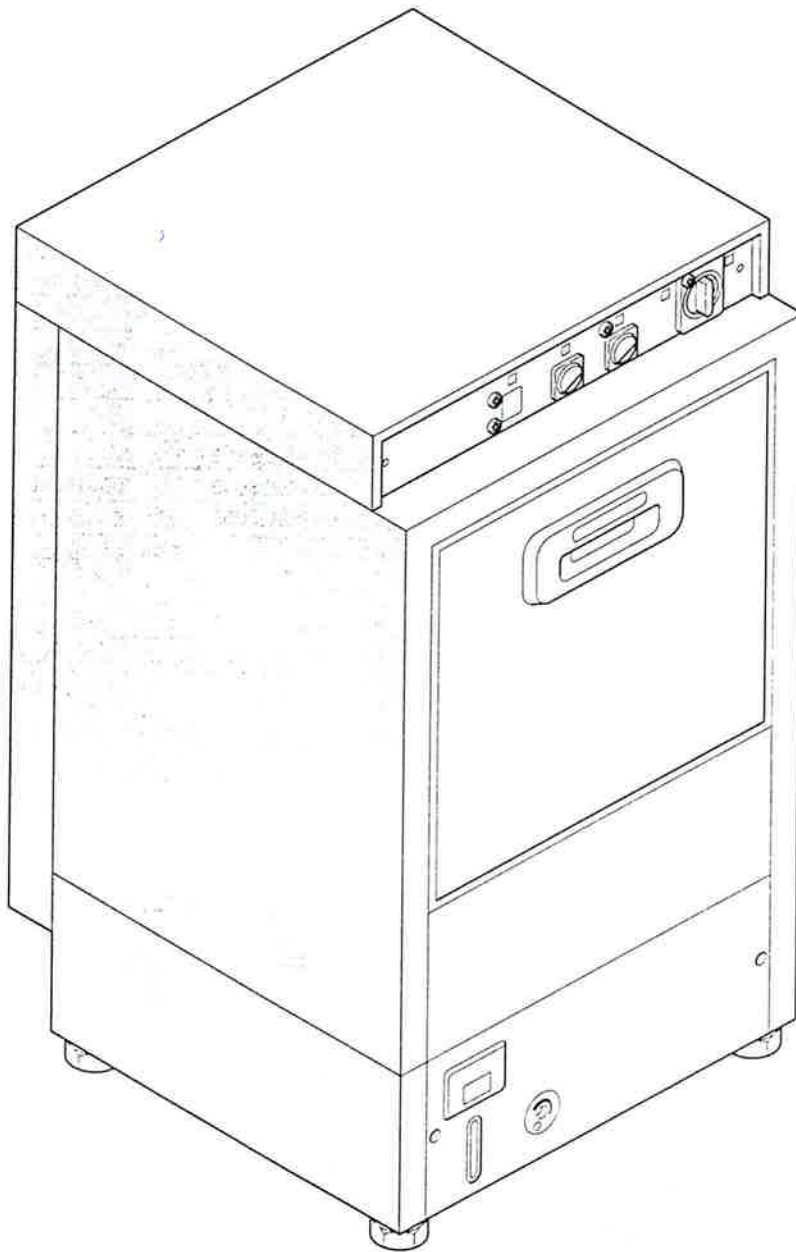


Вит Общепит
+7(812)987-08-81

**LAVABICCHIERI
GLASS WASHERS
LAVE VERRES**

**42
alt**

- 48 - 55 - 60 - 42E - 48E



10/95



NUOVA **elframo** S.R.L.

24127 BERGAMO (ITALIA) - VIA VERGA, 24
TELEFONO 035/4548111 - TELEFAX 035/4548150

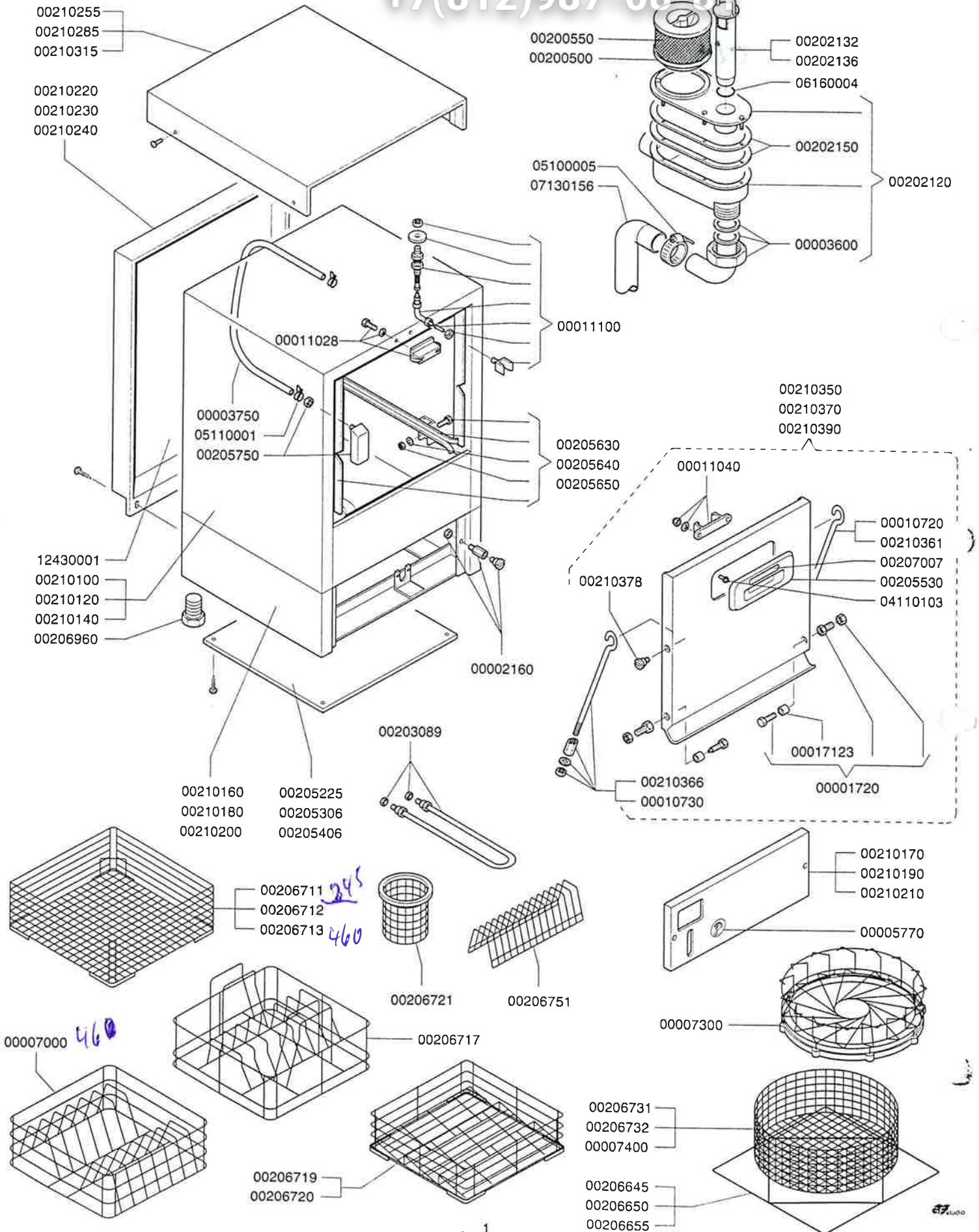


RUSSIA
elcamo S.R.L.

3ip Общепит
LAVABICCHIERI
42-48-55-60-42E-48E
vsezip.ru

TAV. 1

+7(812)987-08-81



DISTINTA PER RICAMBIO (Per l'ordinazione riferire sempre il tipo/modello e l'anno di fabbricazione)
SPARE PARTS LIST (When ordering pls always indicate type/model and production year)
LISTE PIÈCES DÉTACHÉES (En cas de commande indiquer le modèle et l'année de fabrication)

TAV.
1

| COD. | DENOMINAZIONE | DENOMINATION | DÉNOMINATION |
|----------|---|---|--|
| 00001720 | Gruppo cerniere e bussola | Complete door hinge pin | Groupe charnière et douille |
| 00002160 | Distanziatore pannello | Panel fixing screw | Boulon panneau |
| 00003600 | Raccordo angolo | Waste connector elbow | Raccord angle |
| 00003750 | Tubeo pressostato | Pressure stat tube | Tube pressostat |
| 00005770 | Targhetta brillantante - 00005750 | Rincaid adjustment hole logo | Panneau rincage - 00005750 |
| 00007000 | Cestello quadro 60 16 posti - X098E006 | 16 position plate model 60 | Panier carré 60 16 pl. -X098E006 |
| 00007300 | Cestello tondo 60 15 posti - X097B005 | 15 position round plate rack for model 55 | Panier rond 60 15 pl. - X097B005 |
| 00007400 | Cestello tondo 55 - X097B005 | Round glass/cup rack for model 55 | Panier rond 55 - X097B005 |
| 00010720 | Tirante portella dx 48 - 48E - 55 - 60 | Right hand door stay for model 48/48E/55/60 | Entretoise porte droite - 48 - 48E - 55 - 60 |
| 00010730 | Tirante portella sx 48 - 48E - 55 - 60 | Left hand door stay for model 48/48E/55/60 | Entretoise porte gauche 48 - 48E - 55 - 60 |
| 00011028 | Blocchetto di chiusura posteriore | Sprung door catch | Bloc de fermeture posterieur |
| 00011040 | Blocchetto di chiusura anteriore | Clasp door catch | Bloc de fermeture anterieure |
| 00011100 | Gruppo microporta | Door micro switch assembly | Groupe microporte |
| 00017123 | Anello di spallamento | Door hinge pin sleeve | Anneau |
| 00200500 | Filtro 42E - 48E | Wash pump filter for model 42E/48E | Filtre 42E - 48E |
| 00200550 | Filtro 42 - 48 - 55 - 60 | Wash pump filter for model 42/48/55/60 | Filtre 42 - 48 - 55 - 60 |
| 00202120 | Gruppo vaschetta - tappo | Wash / drain sump assembly | Groupe cuve |
| 00202132 | Tappo troppopieno | Drain plug for gravity drain | Bonde |
| 00202136 | Tappo troppopieno per pompa scarico | Drain plug for drain pump | Bonde pour pompe vidange |
| 00202150 | Guarnizione vaschetta | Wash/drain sump gasket | Joint fond cuve |
| 00203089 | Resistenza vasca 2700W 230V | Wash tank element 2700W 230V | Resistance cuve 2700W 230V |
| 00205225 | Fondo 42 - 42E | Base plate for model 42/42E | Fond 42 - 42E |
| 00205306 | Fondo 48 - 48E | Base plate for model 48/48E | Fond 48 - 48E |
| 00205406 | Fondo 55 - 60 | Base plate for model 55/60 | Fond 55 - 60 |
| 00205530 | Maniglia | Door handle | Man |
| 00205630 | Coppia guide cestello 42 - 42E | Basket runner for model 42 - 42E | Couple guide panier 42 - 42E |
| 00205640 | Coppia guide cestello 48 - 48E | Basket runner for model 48 - 48E | Couple guide panier 48 - 48E |
| 00205650 | Coppia guide cestello 55 - 60 | Basket runner for model 55 - 60 | Couple guide panier 55 - 60 |
| 00205750 | Campana pressostato | Air receiving box | Cloche pressostat |
| 00206645 | Telaio portacestello tondo 42 | Drip tray for 42 basket | Chassis porte panier rond 42 |
| 00206650 | Telaio portacestello tondo 48 | Drip tray for 48 basket | Chassis porte panier rond 48 |
| 00206655 | Telaio portacestello tondo 55 - 60 | Drip tray for 55/60 basket | Chassis porte panier rond 55 - 60 |
| 00206711 | Cestello quadro 42 - 002067000 | Glass/cup rack for model SQ42 | Panier carré 42 - 002067000 |
| 00206712 | Cestello quadro 48 - 002067000 | Glass/cup rack for model SQ48 | Panier carré 48 - 002067000 |
| 00206713 | Cestello quadro 55 - 60 - 002067000 | Glass/cup rack for model SQ48 | Panier carré 55 - 60 - 002067000 |
| 00206717 | Cestello quadro 48 12 posti - 002067000 | 12 position plate rack for model SQ48 | Panier carré 48 12 pl. - 002067000 |
| 00206719 | Cestello 48 bicchieri inclinati - 00206700 | Inclined glass/cup rack for model SQ48 | Panier 48 verre incliné - 00206700 |
| 00206720 | Cestello 55-60 bicchieri inclinati - 00206700 | Inclined glass/cup rack for model SQ55/60 | Panier 55 - 60 verre incliné - 00206700 |
| 00206721 | Portaposate | Cutlery rack | Godet |
| 00206731 | Cestello tondo 42 - 00206730 | Round glass/cup rack for model 42 | Panier rond 42 - 00206730 |
| 00206732 | Cestello tondo 48 - 00206730 | Round glass/cup rack for model 48 | Panier rond 48 - 00206730 |
| 00206751 | Porta piattini 00206751 | Saucer insert rack | Porte soucoupe |
| 00206960 | Piedino | Machine foot | Pied |
| 00207007 | Targa maniglia - 00207000 | Door handle logo | Bandeau panneau - 00207000 |
| 00210100 | Cassone 42 - 42E | Machine case for model 42/42E | Caisson 42 - 42E |
| 00210120 | Cassone 48 - 48E | Machine case for model 48/48E | Caisson 48 - 48E |
| 00210140 | Cassone 55 - 60 | Machine case for model 55/60 | Caisson 55 - 60 |
| 00210160 | Fascia telaio 42 - 42E | Side panel for model 42/42E | Bandeau chassis 42 - 42E |
| 00210170 | Pannello 42 - 42E | Facia panel for model 42/42E | Panneau 42 - 42E |
| 00210180 | Fascia telaio 48 - 48E | Facia panel for model 48/48E | Bandeau chassis 48 - 48E |
| 00210190 | Pannello 48 - 48E | Side panel for model 48/48E | Panneau 48 - 48E |
| 00210200 | Fascia telaio 55 - 60 | Facia panel for model 55/60 | Bandeau chassis 55 - 60 |
| 00210210 | Pannello 55 - 60 | Side panel for model 55/60 | Panneau 55 - 60 |
| 00210220 | Schienale 42 - 42E | Back panel for model 42/42E | Arrière 42 - 42E |
| 00210230 | Schienale 48 - 48E | Back panel for model 48/48E | Arrière 48 - 48E |
| 00210240 | Schienale 55 - 60 | Back panel for model 55/60 | Arrière 55 - 60 |
| 00210255 | Coperchio quadro elettrico 42 - 42E | Top panel for model 42/42E | Couvercle tableau électrique 42 - 42E |
| 00210285 | Coperchio quadro elettrico 48 - 48E | Top panel for model 48/48E | Couvercle tableau électrique 48 - 48E |

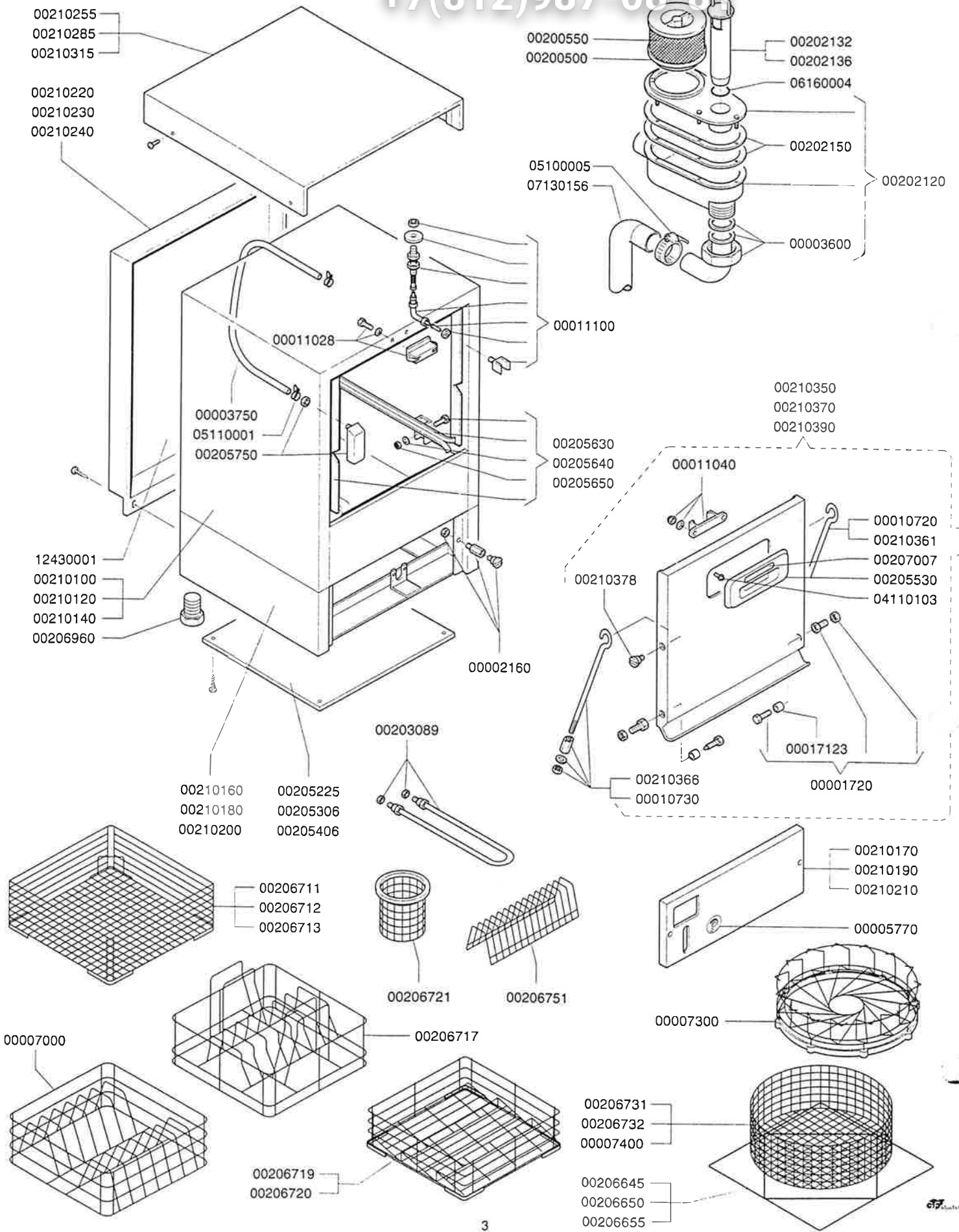


nuova
elcamo S.R.L.

Зип Общепит
LAVABICCHIERI
42-48-55-60-42E-48E
vsezip.ru

TAV. 1

+7(812)987-08-81



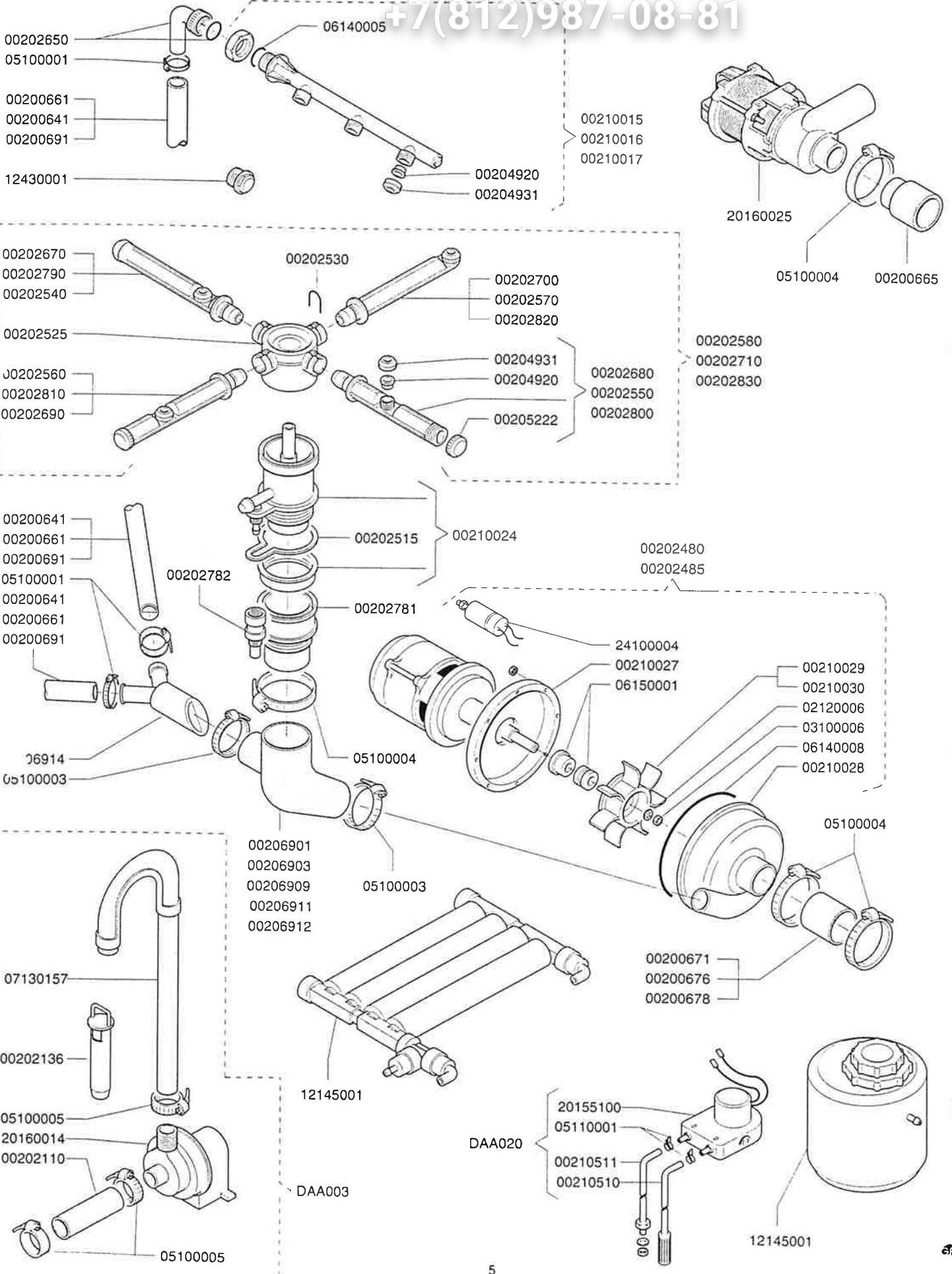


nuova
Elframo
SRL

3ip Общепит LAVABICCHIERI 42-48-55-60-42E-48E

TAV. 2

+7(812)987-08-81



DISTINTA PER RICAMBIO (Per l'ordinazione riferire sempre il tipo/modello e l'anno di fabbricazione)
SPARE PARTS LIST (When ordering please always indicate type/model and production year)
LISTE PIÈCES DÉTACHÉES (En cas de commande indiquer le modèle et l'année de fabrication)

TAV.

2

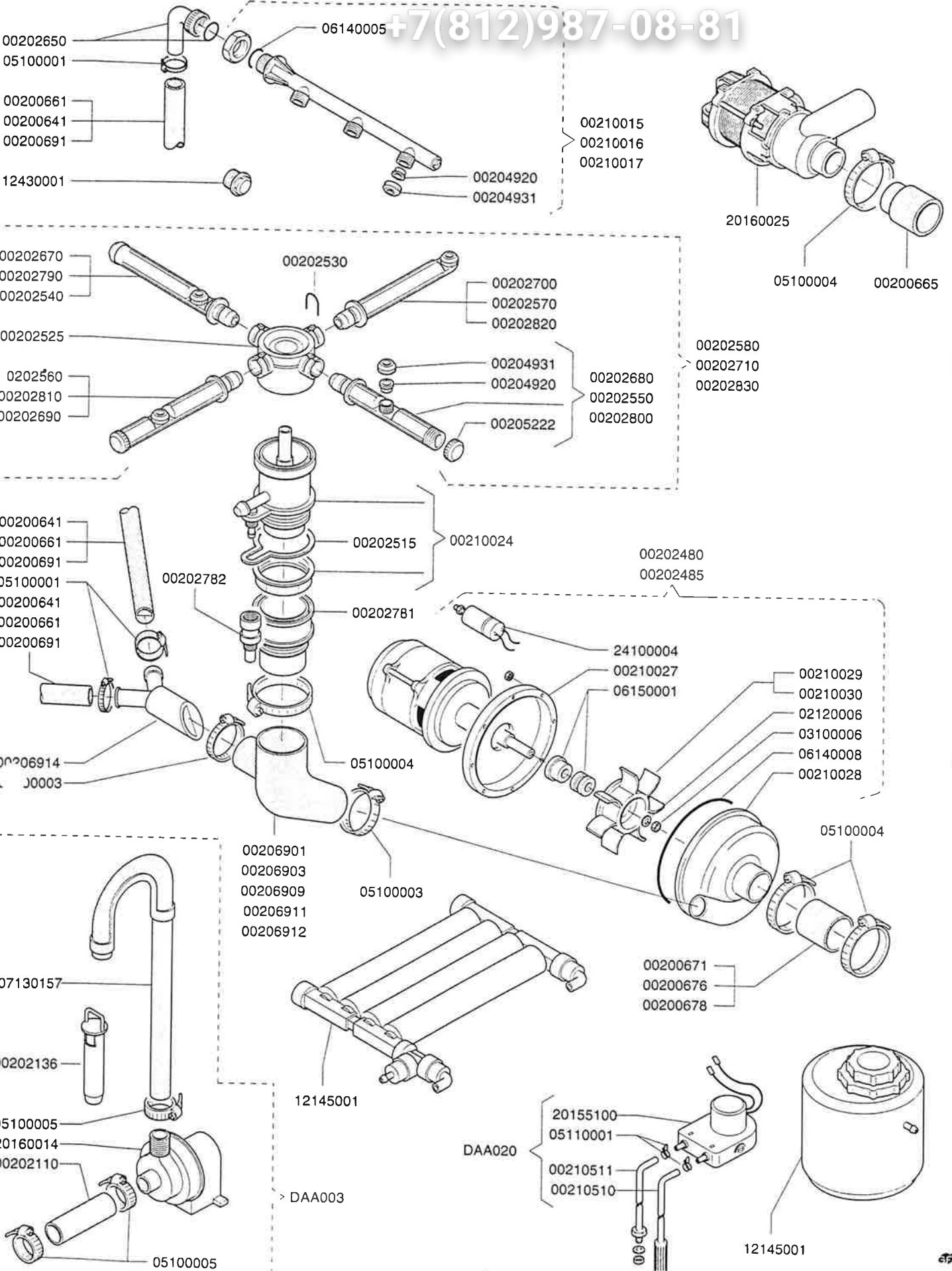
| COD. | DENOMINAZIONE | DENOMINATION | DÉNOMINATION |
|----------|---------------------------------------|--|-----------------------------------|
| 00200641 | Tubo gomma LG=670 | Rubber wash pipe length=670 | Tube LG=670 |
| 00200661 | Tubo gomma LG=540 | Rubber wash pipe length=540 | Tube LG=540 |
| 00200671 | Tubo aspirante LG=65 - 48 | Wash pump suction tube length=65 for model 48 | Tube aspirant LG=65 - 48 |
| 00200676 | Tubo aspirante LG=50 - 42 | Wash pump suction tube length=50 for model 42 | Tube aspirant LG=50 - 42 |
| 00200678 | Tubo aspirante LG=100 | Wash pump suction tube length=100 for model 55 | Tube aspirant LG=100 |
| 00200691 | Tubo gomma LG=770 - 55 | Rubber wash pipe length=770 | Tube LG=770 - 55 |
| 00202110 | Tubo raccordo scarico LG=280 | Drain pump connecting tube length=280 | Tube raccord vidange LG=280 |
| 00202480 | Elettropompa W300 V220-240 | Wash pump complete 300W 220-240V | Pompe W300 V220-240 |
| 00202485 | Elettropompa W400 V220-240 | Wash pump complete 400W 220-240V | Pompe W400 V220-240 |
| 00202515 | Guarnizione collettore inferiore | Lower wash fixed boss gasket | Joint collecteur inferieure |
| 00202525 | Collettore rotante lavaggio | Rotating wash boss | Collecteur rotatif lavage |
| 00202530 | Graffetta collettore lavaggio | Wash arm fixing clip | Agrafe collecteur lavage |
| 00202540 | Braccio lavaggio corto 48 - 48E | Wash arm with short jet for model 48 | Bras lavage court 48 - 48E |
| 00202550 | Braccio lavaggio medio corto 48 - 48E | Wash arm with medium short jet for model 48 | Bras lavage moyen court 48 - 48E |
| 00202560 | Braccio lavaggio medio lungo 48 - 48E | Wash arm with medium jet for model 48 | Bras lavage moye long 48 - 48E |
| 00202570 | Braccio lavaggio lungo 48 - 48E | Wash arm with long jet for model 48 | Bras lavage long 48 - 48E |
| 00202580 | Gruppo lavaggio completo 48 - 48E | Complete wash arm set including rotating boss for model 48 | Groupe lavage complet 48 - 48E |
| 00202650 | Gomito | Top wash connecting elbow | Coude |
| 00202670 | Braccio lavaggio corto 42 - 42E | Wash arm with short jet for model 42 | Bras lavage court 42 - 42E |
| 00202680 | Braccio lavaggio medio corto 42 - 42E | Wash arm with medium short jet for model 42 | Bras lavage moyen court 42 - 42E |
| 00202690 | Braccio lavaggio medio lungo 42 - 42E | Wash arm with medium jet for model 42 | Bras lavage moyen long 42 - 42E |
| 00202700 | Braccio lavaggio lungo 42 - 42E | Wash arm with long jet for model 42 | Bras lavage long 42 - 42E |
| 00202710 | Gruppo lavaggio completo 42 - 42E | Complete wash arm set including rotating boss for model 42 | Groupe lavage complet 42 - 42E |
| 00202781 | Prolunga lavaggio 55 - 60 | Wash boss extension for model 55 | Rallonge lavage 55 - 60 |
| 00202782 | Prolunga risciacquo 55 - 60 | Rinse boss extension for model 55 | Rallonge rincage 55 - 60 |
| 00202790 | Braccio lavaggio corto 55 - 60 | Wash arm with short jet for model 55 | Bras lavage court 55 - 60 |
| 00202800 | Braccio lavaggio medio corto 55 - 60 | Wash arm with medium short jet for model 55 | Bras lavage moyen court 55 - 60 |
| 00202810 | Braccio lavaggio medio lungo 55 - 60 | Wash arm with medium jet for model 55 | Bras lavage moyen long 55 - 60 |
| 00202820 | Braccio lavaggio lungo 55 | Wash arm with long jet for model 55 | Bras lavage long 55 |
| 00202830 | Gruppo lavaggio completo 55 - 60 | Complete wash arm set including rotating boss for model 55 | Groupe lavage complet 55 - 60 |
| 00204920 | Anima ugello lavaggio | Wash jet insert | Corps jet lavage |
| 00204931 | Ugello lavaggio | Wash jet | Jet lavage |
| 00205222 | Tappo di testa | Wash arm end cap | Couvercle |
| 00206901 | Manicotto 42E | Wash pump outlet for model 42E | Manchon 42E |
| 00206903 | Manicotto 48E | Wash pump outlet for model 48E | Manchon 48E |
| 00206909 | Manicotto 55 - 60 | Wash pump outlet for model 55 | Manchon 55 - 60 |
| 00206911 | Manicotto 42 | Wash pump outlet for model 42 | Manchon 42 |
| 00206912 | Manicotto 48 | Wash pump outlet for model 48 | Manchon 48 |
| 00206914 | Raccordo a tre vie | Wash three way conector | Raccord a voise |
| 00210015 | Braccio di lavaggio superiore 42 | Top wash arm for model 42 | Bras lavage superieure 42 |
| 00210016 | Braccio di lavaggio superiore 48 | Top wash arm for model 48 | Bras lavage superieure 48 |
| 00210017 | Braccio di lavaggio superiore 55 | Top wash arm for model 55 | Bras lavage superieure 55 |
| 00210024 | Collettore fisso gruppo inferiore | Bottom fixed wash boss | Collecteur fixe groupe inferieure |
| 00210027 | Corpo pompa | Rear pump impellor case | Corps pompe |
| 00210028 | Coperchio pompa | Pump impellor case | Couvercle pompe |
| 00210029 | Girante HZ50 | Impellor for 50HZ electrical supply | Turbine HZ50 |
| 00210030 | Girante HZ60 | Impellor for 60HZ electrical supply | Turbine HZ60 |
| 00210510 | Tubo silicone 4x7 LG=1800 | Detergent pump suction tube length=1800 | Tube silicone 4x7 LG=1800 |
| 00210511 | Tubo silicone 4x7 LG=1200 | Detergent pump delivery tube length=1200 | Tube silicone 4x7 LG=1200 |
| 02120006 | Rosetta inox M6 UNI 6592 | Stainless steel washer M6 UNI 6592 | Rondelle M6 UNI 6592 |
| 03100006 | Dado es inox M6 UNI 5588 | Impellor fixing nut M6 UNI 5588 | Écrou inox M6 UNI 5588 |
| 05100001 | Fascetta D=15-24 | Jubilee clip DIA=15-24 | Collier D= 15 - 24 |
| 05100003 | Fascetta D=44-56 | Jubilee clip DIA=44-56 | Collier D= 44 - 56 |
| 05100004 | Fascetta D=50-65 | Jubilee clip DIA=50-65 | Collier D= 50 - 65 |
| 05110001 | Fascetta D=7 | Jubilee clip DIA=7 | Collier D= 7 |
| 06140005 | Anello OR 127=2,62x20,24 | OR ring 127=2.62-20.24 | Anneau OR 127= 2.62x20.24 |
| 06140008 | Anello OR =1,78x119 | Impellor case OR ring=1.78-119 | Anneau OR= 1.78x119 |
| 06150001 | Tenuta meccanica D=12 | Mechanicall seal DIA=12 | Joint étanchéité D=12 |



nuova
elframo
SRL

3ip Общепит
LAVABICCHIERI
42-48-55-60-42E-48E
vsezip.ru

TAV. 2



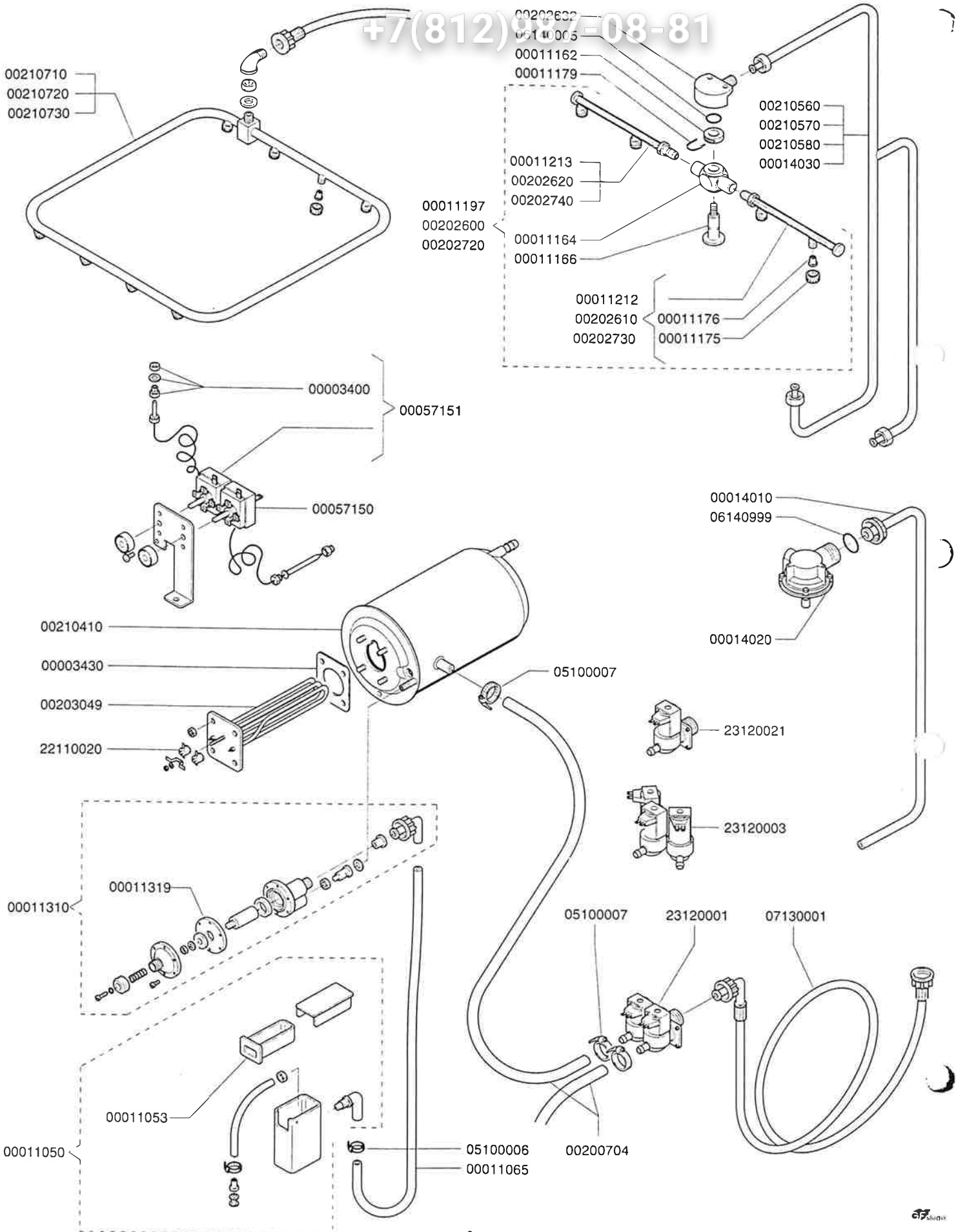


nuova
Elmramo
S.p.A.

3ИЛАВА БИОТЕРИ
42-48-55-60-42E-48E
vsezip.ru

TAV. 3

+7(812)987-08-81





00210250

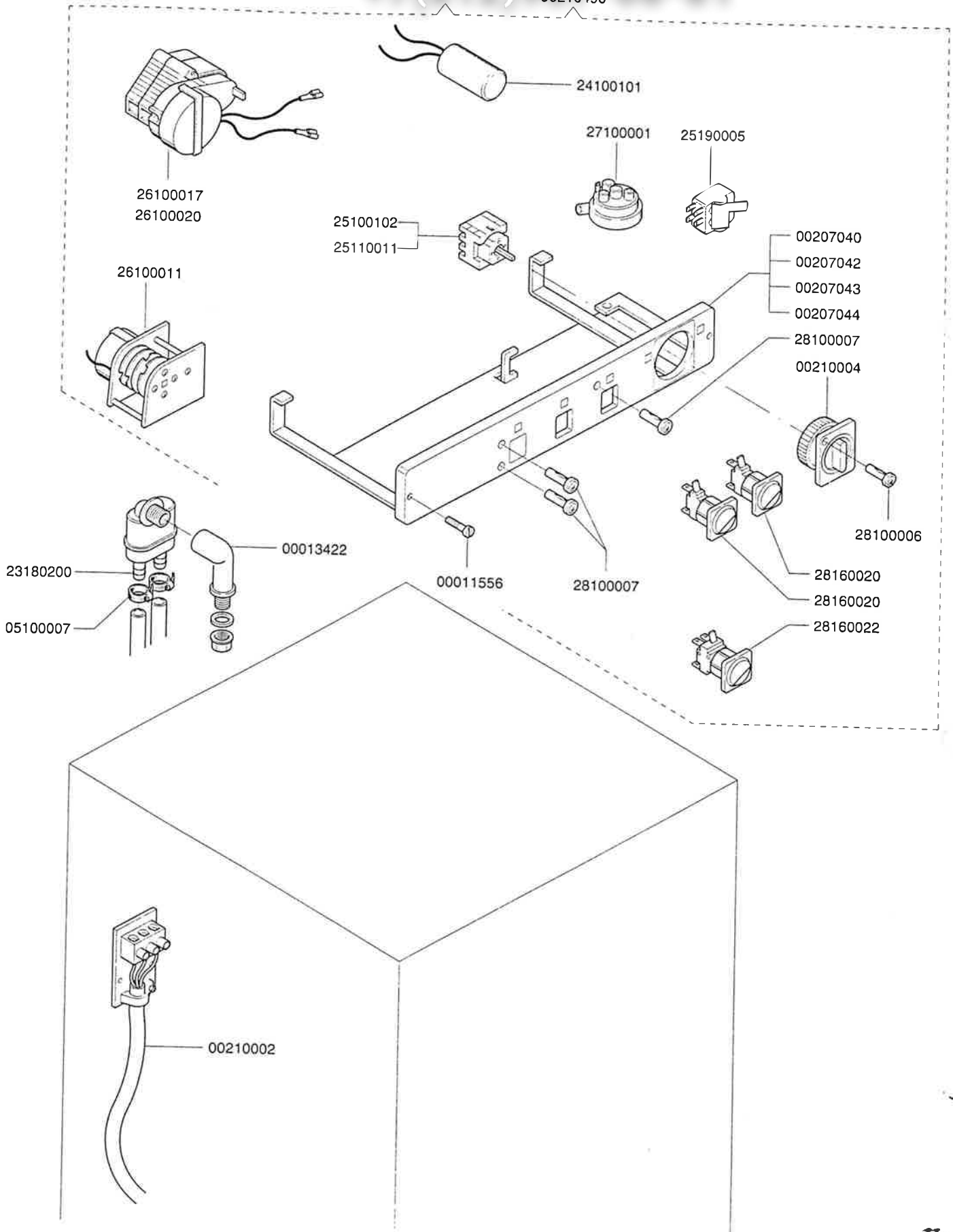
00014050

00210230

00210180

00210310

00210490



Зип Общепит

vsezip.ru

+7(812)987-08-81