



# Macinadosatori

## RR55

## RR55 On Demand

## RR65

**CATALOGO RICAMBI  
SPARE PARTS CATALOGUE  
CATALOGUE PIÈCES DÉTACHÉES  
ERSATZTEILKATALOG**

+7(812)987-08-81

- 2 - **PER LA RICHIESTA DI PEZZI DI RICAMBIO - FOR SPARE PARTS ORDERS  
 POUR LES COMMANDES DE PIECES DETACHEES - FÜR ERSATZTEILBESTELLUNGEN**
- 4 - **MACINADOSATORE RR55 AE - COFFEE DOSING GRINDER RR55 AE  
 MOULIN DOSEUR CAFE RR55 AE - KAFFEEDOSIERMUEHLE RR55 AE**
- 6 - **MACINADOSATORE RR55 On Demand - COFFEE DOSING GRINDER RR55 On Demand  
 MOULIN DOSEUR CAFE RR55 On Demand - KAFFEEDOSIERMUEHLE RR55 On Demand**
- 8 - **MACINADOSATORE RR65 AE - COFFEE DOSING GRINDER RR65 AE  
 MOULIN DOSEUR CAFE RR65 AE - KAFFEEDOSIERMUEHLE RR65 AE**
- 10 - **MACINADOSATORE RR65 SE - COFFEE DOSING GRINDER RR65 SE  
 MOULIN DOSEUR CAFE RR65 SE - KAFFEEDOSIERMUEHLE RR65 SE**

REV. N°	DATA / DATE / DATUM	MODIFICA / CHANGE / MODIFICATION / VERÄNDERUNG
0	01/2004	EMISSIONE DOCUMENTO
1	04/2010	AGGIUNTO MODELLO RR55OD

vsezip.ru

### IMPORTANTE!

Per la richiesta dei pezzi di ricambio citare:

- Numero di codice del pezzo
- Denominazione
- Per i codici che presentano due asterischi \*\* , specificare il colore
- Quantità richiesta
- Pagina

**MANCANDO I DATI RICHIESTI, L'ORDINE NON POTRÀ ESSERE EVASO**

### IMPORTANT!

For spare parts order, please mention:

- Spare part code number
- Denomination
- If you find code numbers with two asterisks \*\* please specify the requested color
- Requested quantity
- Page

**IF REQUESTED DATA ARE MISSING, THE ORDER CANNOT BE EXECUTED**

### IMPORTANT!

Pour toutes commandes de pièces détachées, mentionner svp:

- Numero de référence
- Denomination
- Si les numeros de référence ont deux astérisques \*\* , spécifier la couleur
- Quantité demandée
- Page

**LA COMMANDE NE POURRA PAS ÊTRE EXECUTÉE SANS CES DONÉES**

### WICHTIG!

Jede Ersatzteilebestellung soll folgende Angaben beinhalten:

- Identnummer
- Bezeichnung
- Bei Identnummer mit zwei Asterisken \*\* , muß die Farbe angegeben werden
- Gewünschte Menge
- Seite

**DER AUFTRAG KANN NICHT BEARBEITET WERDEN,  
WENN OBENGENANNT ANGABEN FEHLEN**

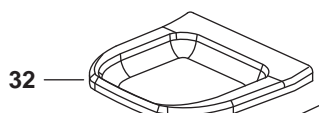
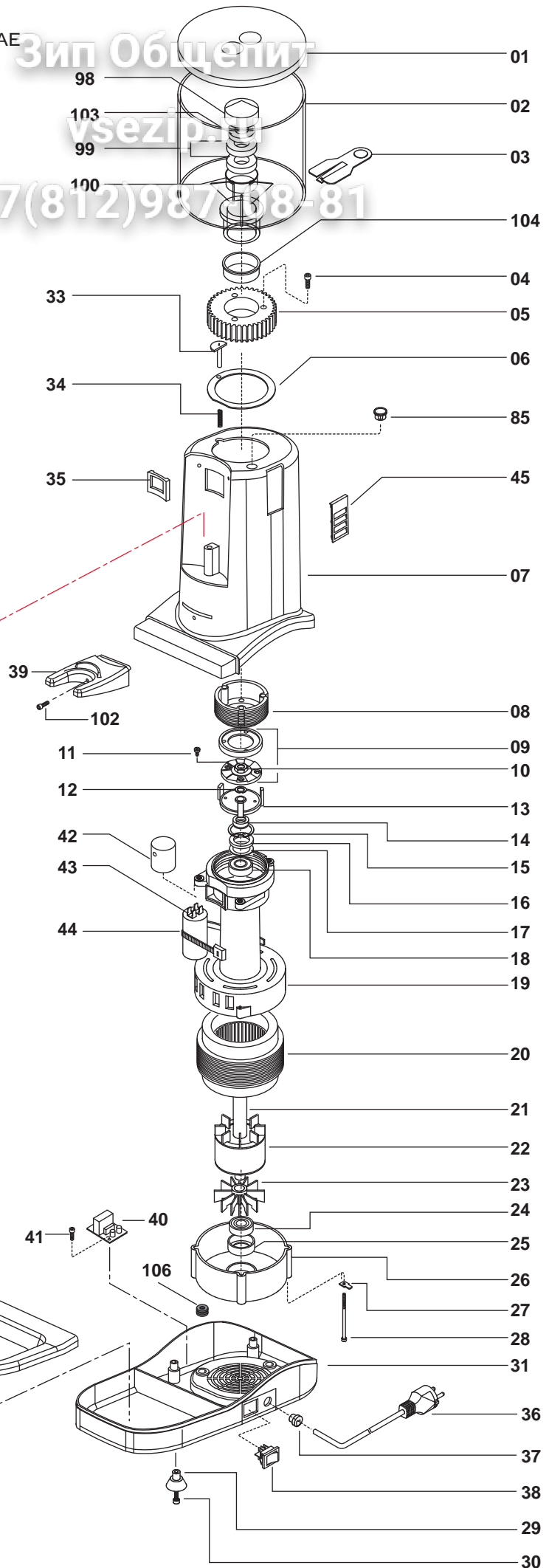
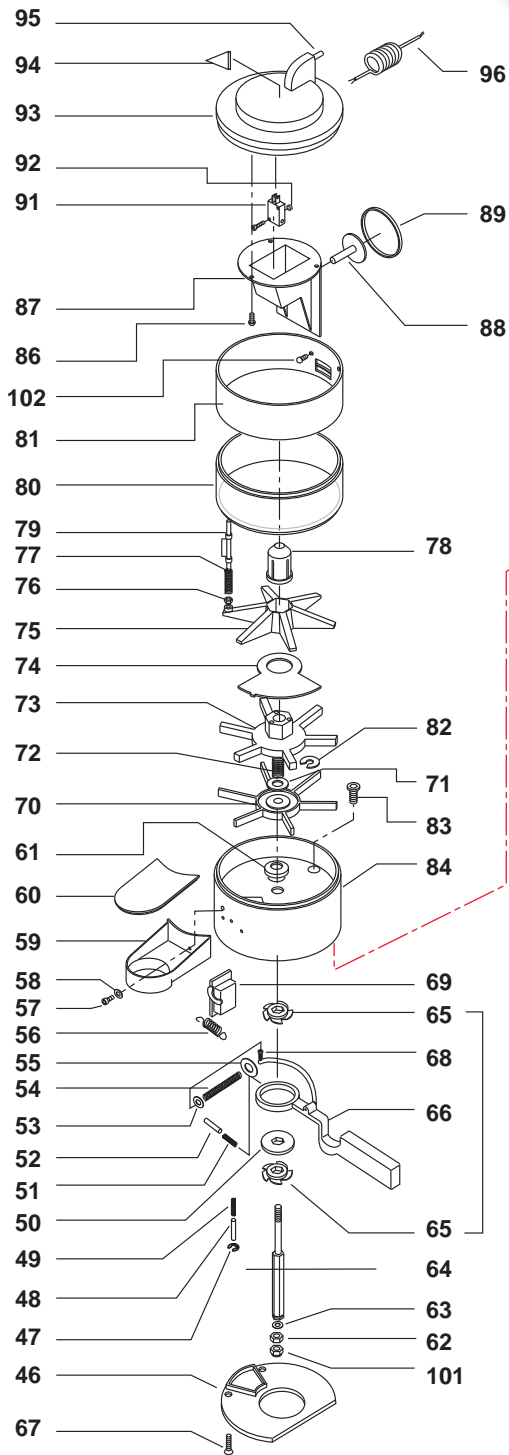
<b>Numero di codice</b> Code number <b>Numero de référence</b> Identnummer	<b>Denominazione</b> Denominatio <b>Denomination</b> Bezeichnung	<b>Quantità</b> Quantity <b>Quantité</b> Menge	<b>Pagina</b> Page <b>Page</b> Seite

MACINADOSATORE RR55 AE  
 COFFEE GRINDER WITH DOSING DEVICE RR55 AE  
 MOLIN-DOSEUR CAFE RR55 AE  
 KAFFEEMUEHLEMIT DOSIERGERAET RR55 AE

Зип Общепит

vsezip.ru

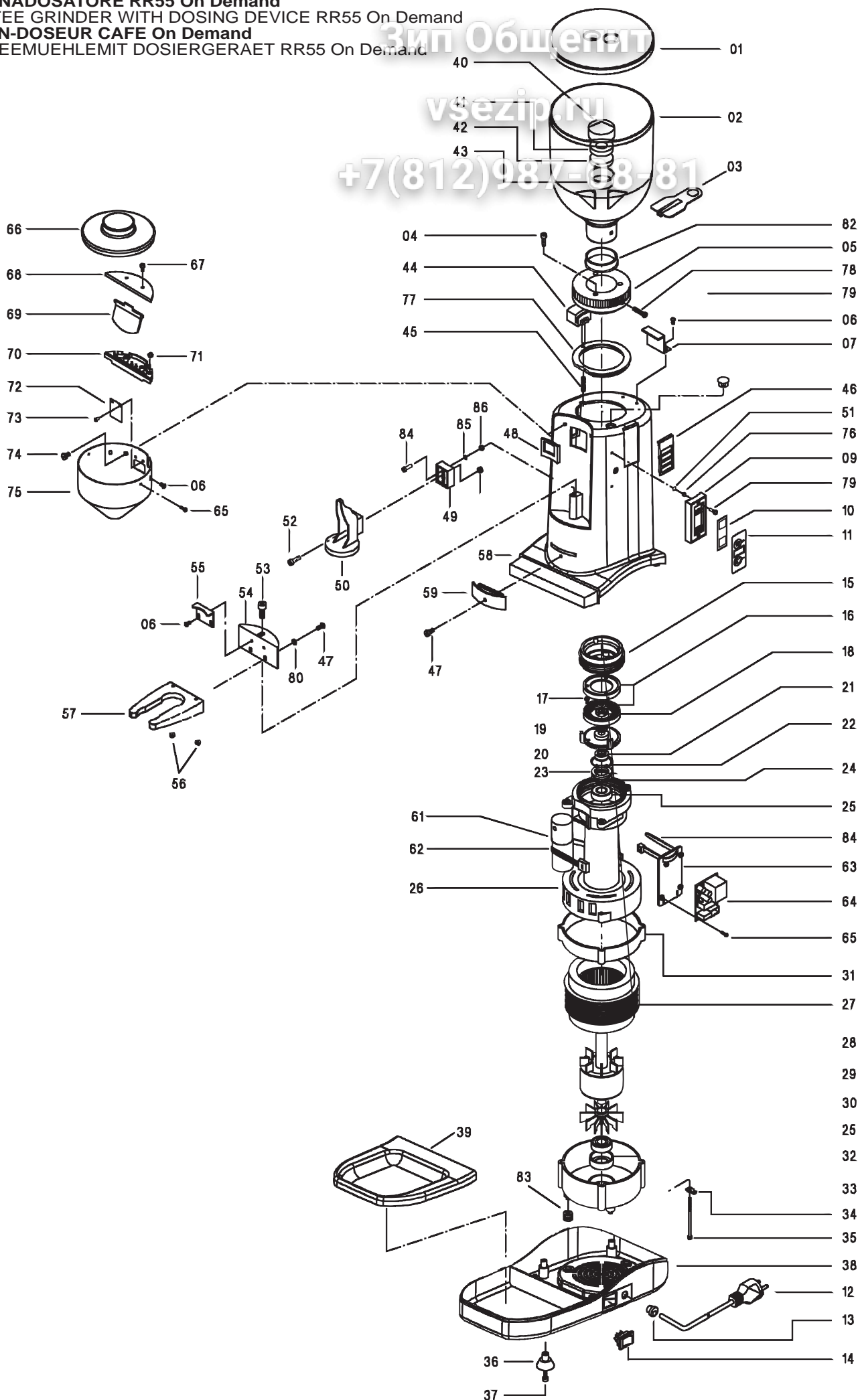
+7(812)987-08-81



**MACINADATORE RR55 AE**  
**COFFEE GRINDER WITH DOSING DEVICE RR55 AE**  
**MOLIN-DOSSEUR CAFE RR55 AE**  
**KAFFEEMUEHLEMIT DOSIERCERAT RR55 AE**

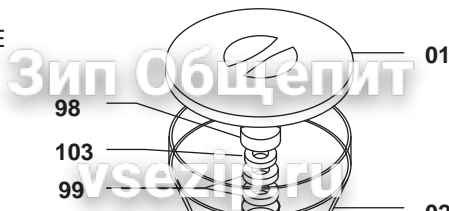
1/2	12043.4.00.09	ASSIEME CAMPANA	COFFEE HOPPER ASSEMBLY
3	01771.0.40.01	LAMIERINO DI CHIUSURA	LOCK SHEET
4	12189.0.00.03	VITE TCCE 4X25 BRUNITA UNI 5831	SCREW TCCE 4X25 UNI 5831
5	00796.0.00.02	GHIERA PER BOCCHETTONE	ADJUSTMENT RING NUT
6	13916.0.00.02	COLLARE PER CORPO ATOSSICO	RING FOR NON-TOXIC BODY
7	15630.0.*.01	CARROZZERIA RR55	OUTER CASE RR55
8	02121.0.00.04	BOCCHETTONE REGOLAZIONE MACINATURA	GRINDING REGULATING UNION
9	00058.3.00.04	COPPIA MACINE	MILLSTONE COUPLE
10	02691.0.00.03	DADO M10X1,25 BRUNITO UNI 5589	NUT M10X1,25 UNI 5589
11	07079.0.00.03	VITE FORMEX 4X8	SCREW FORMEX 4X8
12	07837.0.00.03	RONDELLA16X10X1,2	WASHER16X10X1,2
13	02077.0.00.04	PORTAMACINA	MILLSTONE HOLDER
14	05351.0.00.04	GHIERA FILETTATA	RING
15	05504.0.00.03	SEEGER DI 35	SEEGER DI 35
16	05352.0.00.04	RONDELLA FERMA CUSCINETTO	BEARING FIXING WASHER
17	05506.0.00.03	ANELLO DI COMPENSAZIONE	SEAL RING
18	05507.0.00.03	CUSCINETTO 6202-2RS	BEARING 6202-2RS
19	01987.2.00.08	CALICE RR	HOUSING
20	01857.2.00.08	STATORE V. 220/50	STATOR V. 220/50
21	11501.0.00.04	ALBERO MOTORE	MOTOR SHAFT
22	11502.0.00.04	ROTORE	ROTOR
23	11425.0.00.02	VENTOLA 12 PALE	12 BLADES FAN
24	11756.0.00.04	CUSCINETTO 6202-2Z	BEARING 6202-2Z
25	11757.0.00.04	CALOTTA X CUSCINETTO	BEARING CAP
26	02025.0.00.04	CALOTTA MOTORE	MOTOR CAP
27	14054.0.00.08	LINGUETTA FASTON	FASTON
28	12181.0.00.03	VITE TE 4X80	SCREW TE 4X80
29	01489.0.00.02	VENTOSA	FOOT
30	10460.0.00.03	VITE TC 5X50	SCREW TC 5X50
31	15377.0.00.02	BASAMENTO RR55	BASE FOR RR55
32	15378.0.00.02	VASCETTA RECUPERO CAFFE'	TRAY FOR COFFEE RECOVERY
33	01470.0.00.02	PERNO FERMA BOCCHETTONE	RING NUT FASTENING PIN
34	02212.0.00.03	MOLLA PER PERNO	SPRING FOR PIN
35	13918.0.00.02	GUARNIZ. BOCCA USCITA CAFFE'BERAFLEX	COFFEE GRINDER GASKET BERAFLEX
36	12807.2.00.08	CAVO CON SPINA SHUKO	SHUKO CABLE
37	12756.0.00.02	BLOCCACAVO	CABLE SHAFT
38	03632.2.00.08	INTERRUTTORE LUMINOSO V.220	LUMINOUS SWITCH V.220
39	15376.0.00.02	FORCELLA	FORK
40	11051.2.00.08	SCHEDA RELÉ	RELAY CARD
41	07086.0.00.03	VITE TCP 3,9X9,5	SCREW TCP 3,9X9,5
42	21080.0.00.02	PROTEZIONE CONDENSATORE	CAPACITOR PROTECTION
43	01897.2.00.08	CONDENSATORE 12,5 MF	CAPACITOR 12,5 MF
44	20131.0.00.02	FASCETTA 7,8X365	BAND 7,8X365
45	12754.0.00.02	PIASTRINA COPRI FERITOIA	COVER PLATE FOR SLIT
46	00763.0.00.02	COPERCHIO INFERIORE	INFERIOR COVER
47	09776.0.00.03	SEEGER DI 4	SEEGER DI 4
48	09775.0.00.03	VITE FISSAGGIO MOLLA	SPRING FIXING SCREW
49	02221.0.00.03	MOLLA A SCATTO	SPRING TO RELEASE
50	01308.0.00.03	RONDELLA INFERIORE	INFERIOR WASHER
51	02211.0.00.03	MOLLA PER LEVA DOSATORE	SPRING FOR DOSER LEVER
52	09753.0.00.04	PERNO OT D. 4X16	PIN OT D. 4X16
53	12184.0.00.03	RONDELLA D. 11X5,3X1	WASHER D. 11X5,3X1
54	00897.0.00.03	MOLLA PER PERNO SAGOMATO	SPRING FOR PIN
55	12183.0.00.03	GRAMBIALINO D. 20X5,5X1,5	WASHER D. 20X5,5X1,5
56	00899.0.00.03	MOLLA PER CONTACOLPI	SPRING FOR COUNTER
57	01247.0.00.03	VITE TCEI 5X10 UNI 5931	SCREW TCEI 5X10 UNI 5931
58	01309.0.00.03	RONDELLA RDE 5	WASHER RDE 5
59	10204.0.00.02	PRESSINO	PRESSER
60	10205.0.00.02	COPERCHIO PRESSINO	PRESSER COVERING
61	08563.0.00.02	GUIDA PER PERNO	GUIDE FOR BUSH
62	12186.0.00.03	DADO 6 MA	NUT 6 MA
63	12187.0.00.03	RONDELLA D. 18X6,3X1,5	WASHER D. 18X6,3X1,5
64	02117.0.00.04	PERNO	PIN
65	01462.0.00.02	CRICCHETTO	GEAR
66	02120.0.00.04	LEVA DOSATORE COMPLETA	COMPLETE LEVER DOSER
67	02695.0.00.03	VITE TSP CE 5X8 UNI 5933	SCREW TSP CE 5X8 UNI 5933
68	12185.0.00.03	COPIGLIA D. 2X10	SPLIT PIN D. 2X10
69	01986.2.00.08	CONTACOLPI	COUNTER
70	00799.0.00.02	STELLA INFERIORE	LOWER STAR
71	12164.0.00.03	RONDELLA D. 21X8,4X1,5	WASHER D. 21X8,4X1,5
72	00898.0.00.03	MOLLA REGOLAZIONE DOSATURA	SPRING REGULATION DOSAGE
73	01488.0.00.02	STELLA CON SFERA	STAR WITH SPHERE
74	01772.0.40.01	LAMIERINO DOSATORE	DOSING SHEET
75	01485.0.00.02	STELLA SUPERIORE	HUPPER STAR
76	02692.0.00.03	DADO 4 MA UNI 5587	NUT 4 MA UNI 5587
77	08612.0.00.04	ASTA PER MOLLA SAGOMATA	ROD FOR SPRING
78	09610.0.00.02	POMOLO REGOLAZIONE DOSE	DOSE REGULATING KNOB
79	02215.0.00.03	MOLLA SAGOMATA	SHAPED SPRING
80	01429.0.00.02	PLEXIGLASS	PLEXIGLASS
81	02090.0.00.04	ANELLO DOSATORE	DOSING DEVICE RING
82	08949.0.00.03	SEEGER DI 6 BRUNITO	SEEGER DI 6
83	01313.0.00.03	VITE TSPCE 8X20 UNI	SCREW TSPCE 8X20 UNI
84	09755.0.00.04	SCATOLA DOSATORE	DOSER BOX
85	09412.0.00.08	BOCCOLA A SCATTO SB-625-500	BUSHING SB-625-500
86	07086.0.00.03	VITE TCP 3,9X9,5	SCREW TCP 3,9X9,5
87	01163.4.00.09	SCATOLA MICRO	MICRO BOX
88	04391.0.00.02	PULSANTE	PUSH-BUTTON
89	02660.0.00.02	MEMBRANA	MEMBRANE
91	00751.2.00.08	MICROINTERRUTTORE	MICROSWITCH
92	02692.0.00.03	DADO 3 MA UNI 5587	NUT 3 MA UNI 5587
93	01430.0.00.02	COPERCHIO DOSATORE	DOSER COVERING
94	12755.0.00.02	TARGHETTA TRIANGOLARE SAETTA	TRIANGULAR NAMEPLATE
95	10448.2.00.08	SENSORE MAGNETICO	MAGNETIC SENSOR
96	09413.2.00.08	CAVO SPIRALATO COMPLETO UL	COMPLETE SPIRAL CABLE UL
98	11413.0.00.02	GUSCIO SUPERIORE	HUPPER CASING
99	11245.0.00.08	MAGNETE	MAGNET
100	11414.0.00.02	GUSCIO INFERIORE	INFERIOR CASING
101	12188.0.00.03	DADO AUTOBLOCCANTE	SELFLOCKING NUT
102	12912.0.00.03	VITE 5X12	SCREW 5X12
103	07537.0.00.08	MAGNETE	MAGNET
104	13920.0.00.02	COLLARE PER CAMPANA ATOSSICO	NO-TOXIC RING FOR COFFEE HOPPER
106	13919.0.00.02	AMMORTIZZATORI DA 80-110-40	SHOCK-ABSORBER 80-110-40

MACINADOSATORE RR55 On Demand  
 COFFEE GRINDER WITH DOSING DEVICE RR55 On Demand  
 MOLIN-DOSEUR CAFE On Demand  
 KAFFEEMUEHLEMIT DOSIERGERAET RR55 On Demand

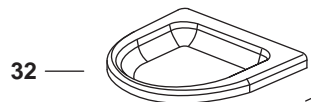
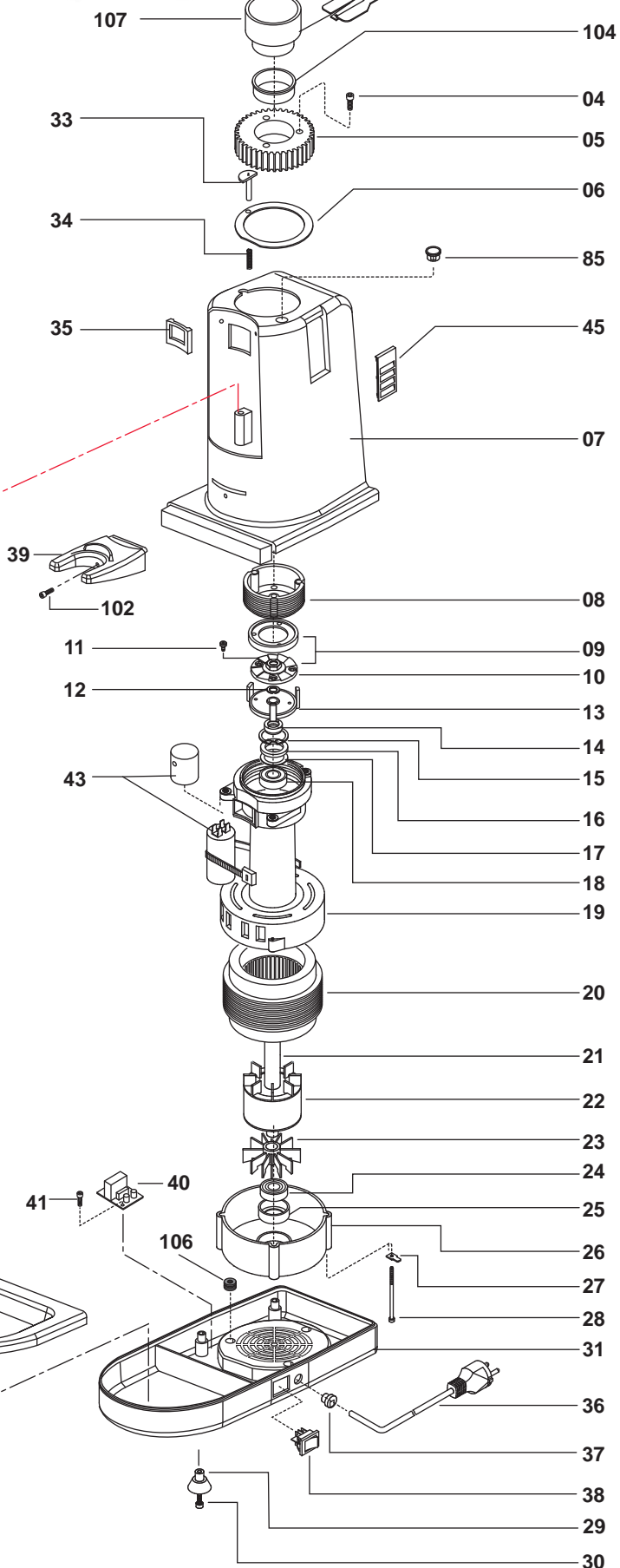
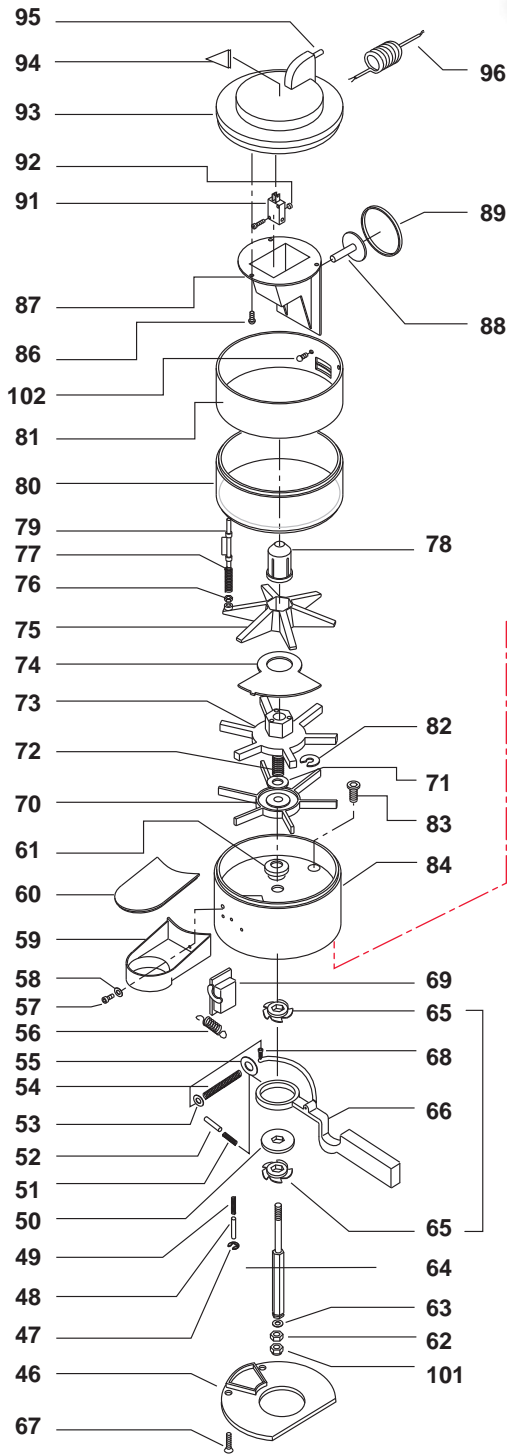


**MACINADOSATORE RR55 On Demand**  
**COFFEE GRINDER WITH DOSING DEVICE RR55 On Demand**  
**MOLIN-POSEUR CAFE On Demand**  
**KAFFEEMUEHLE MIT DOSIERGERÄT RR55 On Demand**

01	01471.0.00.02	COPERCHIO CAMPANA	COFFEE HOPPER COVERING
02	19937.0.00.02	CAMPANA	COFFEE HOPPER
03	01771.0.40.01	LAMIERINO DI CHIUSURA	LOCK SHEET
04	21099.0.00.03	VITE TCCE 4X20 BRUNITA UNI 5831	SCREW TCCE 4X20 UNI 5831
05	20722.0.00.02	GHIERA PER BOCCHETTONE	ADJUSTMENT RING NUT
06	20104.0.00.03	VITE TBCE 4X8 ISO7380 INOX	SCREW TBCE 4X8 ISO7380 INOX
07	21233.0.00.03	LAMIERINO FERMA BOCCHETTONE	LOCK SHEET
09	21801.0.00.02	SUPPORTO PULSANTIERA	KEYPAD SUPPORT
10	21201.2.00.08	SCHEDA PULSANTIERA 2 TASTI + DISPLAY C/C	KEYPAD (2 KEY) + DISPLAY C/C
11	22938.0.00.02	ETICHETTA PULSANTIERA	KEYPAD LABEL
12	12807.2.00.08	CAVO CON SPINA SHUKO	SHUKO CABLE
13	12756.0.00.02	BLOCCACAVO	CABLE SHAFT
14	03632.2.00.08	INTERRUTTORE LUMINOSO V.220	LUMINOUS SWITCH V.220
15	02121.0.00.04	BOCCHETTONE REGOLAZIONE MACINATURA	GRINDING REGULATING UNION
16	19164.3.00.04	COPPIA MACINE	MILLSTONE COUPLE
17	20096.0.00.03	VITE FORMEX 4X8	SCREW FORMEX 4X8
18	02691.0.00.03	DADO M10X1,25 BRUNITO UNI 5589	NUT M10X1,25 UNI 5589
19	19635.0.00.03	RONDELLA16X10X1,2	WASHER16X10X1,2
20	02077.0.00.04	PORTAMACINA	MILLSTONE HOLDER
21	05351.0.00.04	GHIERA FILETTATA	RING
22	05504.0.00.03	SEEGER DI 35	SEEGER DI 35
23	19636.0.00.03	RONDELLA FERMA CUSCINETTO	BEARING FIXING WASHER
24	20093.0.00.03	ANELLO DI COMPENSAZIONE	SEAL RING
25	05507.0.00.03	CUSCINETTO 6202-2RS	BEARING 6202-2RS
26	21042.0.00.01	CALICE RR	HOUSING
27	01857.2.00.08	STATORE V. 220/50	STATOR V. 220/50
28	11501.0.00.04	ALBERO MOTORE	MOTOR SHAFT
29	11502.0.00.04	ROTORE	ROTOR
30	11425.0.00.02	VENTOLA 12 PALE	12 BLADES FAN
31	18531.0.00.02	ANELLO DISTANZ.CALICE/CALOTTA	GOBLET7CAP SPACER RING
32	11757.0.00.04	CALOTTA X CUSCINETTO	BEARING CAP
33	02025.0.00.04	CALOTTA MOTORE	MOTOR CAP
34	14054.0.00.08	LINGUETTA FASTON	FASTON
35	12181.0.00.03	VITE TE 4X80	SCREW TE 4X80
36	18673.0.00.02	PIEDINO	FOOT
37	10460.0.00.03	VITE TC 5X50	SCREW TC 5X50
38	15377.0.00.02	BASAMENTO RR55	BASE FOR RR55
39	15378.0.00.02	VASCHETTA RECUPERO CAFFE'	TRAY FOR COFFEE RECOVERY
40	11413.0.00.02	GUSCIO SUPERIORE	UPPER CASING
41	11245.0.00.08	MAGNETE	MAGNET
42	12753.0.00.02	ANTIVIBRANTE	ANTI-VIBRATIONS
43	11414.0.00.02	GUSCIO INFERIORE	LOWER CASING
44	09609.0.00.02	PERNO FERMA BOCCHETTONE	LOCKING PIN
45	02212.0.00.03	MOLLA PER PERNO	SPRING FOR PIN
46	12754.0.00.02	PIASTRINA COPRI FERITOIA	COVER PLATE FOR SLIT
47	20099.0.00.03	VITE TBCE 5X10 ISO7380 INOX	SCREW TBCE 5X10 ISO7380 INOX
48	13918.0.00.02	GUARNIZ. BOCCA USCITA CAFFE'	COFFEE GRINDER GASKET
49	21071.0.00.02	DISTANZIALE NERO	BLACK DISTANCE PIECE
50	00797.0.00.02	PRESSINO	PRESSER
51	01316.0.00.03	RONDELLA RDE 3,2	WASHER RDE 3,2
52	21096.0.00.03	VITE TCCE 5X22 UNI5931 BRUNITA	SCREW TCCE 5X22 UNI5931 BRUNITA
53	01260.0.00.03	VITE TCEI 8X20	SCREW TCEI 8X20
54	21077.0.00.02	FLANGIA ATTACCO FORCELLA	FLANGE FOR FORK
55	21237.0.40.01	LAMIERINO BLOCCAGGIO PORTAFILTRO	LOCKING BRACKET
56	01282.0.00.03	RONDELLA RDE Ø4	WASHER RDE Ø4
57	21079.0.00.02	FORCELLA	FORK
58	21236.0.*.01	CARROZZERIA	OUTER CASE
59	21802.0.00.02	PIASTRINA DI CHIUSURA	PLAQUE
61	01962.2.00.08	CONDENSATORE 40Mfp 110V	CAPACITOR 40Mfp 110V
	05444.2.00.08	CONDENSATORE 16Mfp 220V	CAPACITOR 16Mfp 220V
	01897.2.00.08	CONDENSATORE 12,5Mfp 240V	CAPACITOR 12,5Mfp 240V
62	11418.0.00.02	FASCETTA 4,8X250	BAND 4,8X250
63	21072.0.00.02	PIASTRINA ABS/NYLON	ABS/NYLON PLATE
64	23017.2.00.08	SCHEDA ELETTR. V220-240/50	MOTHERBOARD V220-240/50
	22507.2.00.08	SCHEDA ELETTR. V110-60	MOTHERBOARD V110-60
65	19608.0.00.03	VITE AUTOFIL.2,9X6.35	SCREW 2,9X6.35
66	18078.0.00.02	COPERCHIO DOSATORE	DOSER COVER
67	20103.0.00.03	VITE AUTOFIL. 3,9X12 INOX	SCREW 3,9X12 INOX
68	18308.0.00.02	COPERCHIO CONTENITORE MICRO	MICRO CONTAINER COVER
69	18309.0.00.02	LAMIERINO PREMIMICRO	SHEET FOR MICRO SWITCH PRESSURE
70	18307.0.00.02	CONTENITORE MICRO	MICRO CONTAINER
71	02692.0.00.03	DADO M4 INOX	NUT M4 INOX
72	21235.0.40.01	LAMIERINO X BOCCA USCITA CAFFE'	SHEET
73	21098.0.00.03	VITE TBCE 3X6 ISO 7380 INOX	SCREW TBCE 3X6 ISO 7380
74	20097.0.00.03	VITE MX PH CIL.4X8 ZC FORMEX	SCREW MX PH CIL.4X8 ZC
75	21234.0.40.01	IMBUTO	FUNNEL
76	22599.0.00.03	DADO M3 BRUNITO UNI 5587	NUT M3 UNI 5587
77	13916.0.00.02	COLLARE PER CORPO ATOSSICO	RING FOR NON-TOXIC BODY
78	01347.0.00.03	VITE TC 5X20 ZINCATA	SCREW TC 5X20
79	10940.0.00.03	VITE TCCE 3X12	SCREW TCCE 3X12
80	01309.0.00.03	RONDELLA RDE 5,3 BRUNITA	WASHER RDE 5,3
82	13920.0.00.02	COLLARE PER CAMPANA ATOSSICO	NO-TOXIC RING FOR COFFEE HOPPER
83	13919.0.00.02	AMMORTIZZATORI DA 80-110-40	SHOCK-ABSORBER 80-110-40
84	11418.0.00.02	FASCETTA NYLON 4,8X250 SL25	NYLON CLAMP 4,8X250 SL25



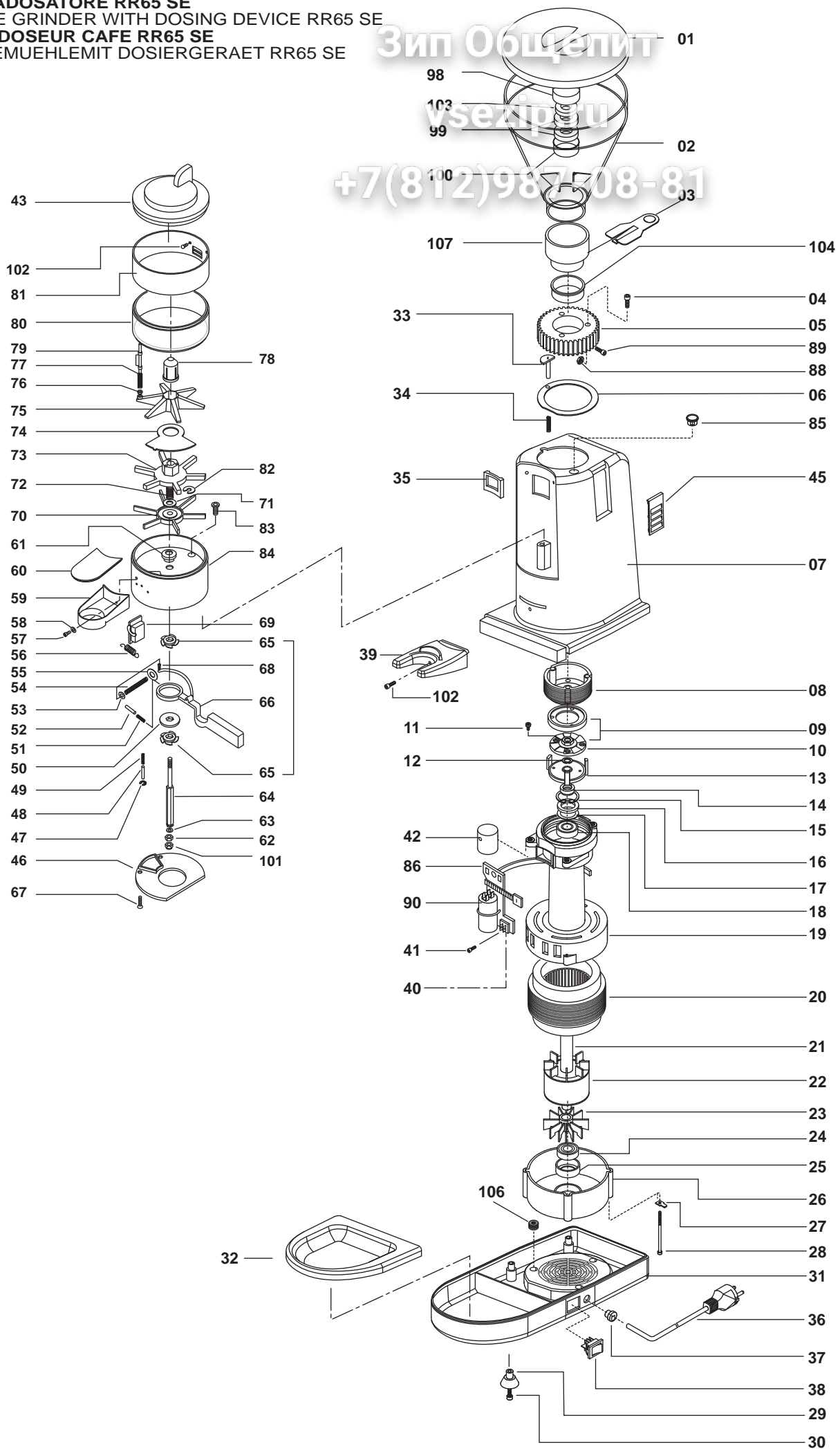
Зип Общепит  
 vsezip.ru  
 +7(812)987-08-81





**MACINADOSATORE RR65 AE**  
**COFFEE GRINDER WITH DOSING DEVICE RR65 AE**  
**MOLIN-DOSEUR CAFE RR65 AE**  
**KAFFEEMUEHLEMIT DOSIERGERAET RR65 AE**

1/2	13808.4.00.09	ASS.CAMPANA CONICA	1/2	12045.4.00.09	COFFEE HOPPER ASSEMBLY
3	01771.0.40.01	LAMIERINO DI CHIUSURA	3	01771.0.40.01	LOCK SHEET
4	12189.0.00.03	VITE TCCE 4X25 UNI 5831	4	12189.0.00.03	SCREW TCCE 4X25 UNI 5831
5	00796.0.00.02	GHIERA X BOCCHETTONE	5	00796.0.00.02	ADJUSTMENT RING NUT
6	13916.0.00.02	COLLARE PER CORPO ATOSSICO	6	13916.0.00.02	RING FOR NON-TOXIC BODY
7	15629.0.20.01	CARROZZERIA RR65	7	15629.0.20.01	CUTTER CASE RR55
8	02121.0.00.04	BOCCHETTONE REGOLAZIONE MACINATURA	8	02121.0.00.04	GRINDING REGULATING UNION
9	00058.3.00.04	COPPIA MACINE	9	00058.3.00.04	MILLSTONE COUPLE
10	02691.0.00.03	DADO M10X1,25 BRUNITO UNI 5589	10	02691.0.00.03	NUT M10X1,25 UNI 5589
11	07079.0.00.03	VITE FORMEX 4X8	11	07079.0.00.03	SCREW FORMEX 4X8
12	07837.0.00.03	RONDELLA16X10X1,2	12	07837.0.00.03	WASHER 16X10X1,2
13	02077.0.00.04	PORTAMACINA	13	02077.0.00.04	MILLSTONE HOLDER
14	05351.0.00.04	GHIERA FILETTATA	14	05351.0.00.04	RING
15	05504.0.00.03	SEEGER DI 35	15	05504.0.00.03	SEEGER DI 35
16	05352.0.00.04	RONDELLA FERMA CUSCINETTO	16	05352.0.00.04	BEARING FIXING WASHER
17	05506.0.00.03	ANELLO DI COMPENSAZIONE	17	05506.0.00.03	SEAL RING
18	05507.0.00.03	CUSCINETTO 6202-2RS	18	05507.0.00.03	BEARING 6202-2RS
19	01987.2.00.08	CALICE	19	01987.2.00.08	HOUSING
20	01857.2.00.08	STATORE V. 220/50	20	01857.2.00.08	STATOR V. 220/50
21	11501.0.00.04	ALBERO MOTORE	21	11501.0.00.04	MOTOR SHAFT
22	11502.0.00.04	ROTORE	22	11502.0.00.04	ROTOR
23	11425.0.00.02	VENTOLA 12 PALE	23	11425.0.00.02	12 BLADES FAN
24	11756.0.00.04	CUSCINETTO 6202-2Z	24	11756.0.00.04	BEARING 6202-2Z
25	11757.0.00.04	CALOTTA X CUSCINETTO	25	11757.0.00.04	BEARING CAP
26	02025.0.00.04	CALOTTA MOTORE	26	02025.0.00.04	MOTOR CAP
27	14054.0.00.08	LINGUETTA FASTON	27	14054.0.00.08	FASTON
28	12181.0.00.03	VITE TE 4X80	28	12181.0.00.03	SCREWTE 4X80
29	01489.0.00.02	VENTOSA	29	01489.0.00.02	FOOT
30	10460.0.00.03	VITE TC 5X50	30	10460.0.00.03	SCREW TC 5X50
31	15374.0.00.02	BASAMENTO PER CC45	31	15377.0.00.02	BASE FOR RR55
32	15375.0.00.02	VASCHETTA RECUPERO CAFFÈ	32	15378.0.00.02	TRAY FOR COFFEE RECOVERY
33	01470.0.00.02	PERNO FERMA BOCCHETTONE	33	01470.0.00.02	RING NUT FASTENING PIN
34	02212.0.00.03	MOLLA PER PERNO	34	02212.0.00.03	SPRING FOR PIN
35	13918.0.00.02	GUARNIZ. BOCCA USCITA CAFFÈ'BERAFLEX	35	13918.0.00.02	COFFEE GRINDER GASKET BERAFLEX
36	12807.2.00.08	CAVO CON SPINA SHUKO	36	12807.2.00.08	SHUKO CABLE
37	12756.0.00.02	BLOCCACAVO	37	12756.0.00.02	CABLE SHAFT
38	03632.2.00.08	INTERRUTTORE LUMINOSO V.220	38	03632.2.00.08	LUMINOUS SWITCH V.220
39	15376.0.00.02	FORCELLA	39	15376.0.00.02	FORK
40	11051.2.00.08	SCHEDA RELÈ	40	11051.2.00.08	RELAY CARD
41	07086.0.00.03	VITE TCP 3,9X9,5	41	07086.0.00.03	SCREWTCP 3,9X9,5
43	01897.2.00.08	CONDENSATORE 12,5 MF	43	01897.2.00.08	CAPACITOR 12,5 MF
45	12754.0.00.02	PIASTRINA COPRI FERITOIA	45	12754.0.00.02	COVER PLATE FOR SLIT
46	00763.0.00.02	COPERCHIO INFERIORE	46	00763.0.00.02	INFERIOR COVER
47	09776.0.00.03	SEEGER DI 4	47	09776.0.00.03	SEEGER DI 4
48	09775.0.00.03	VITE FISSAGGIO MOLLA	48	09775.0.00.03	SPRING FIXING SCREW
49	02221.0.00.03	MOLLA A SCATTO	49	02221.0.00.03	SPRING TO RELEASE
50	01308.0.00.03	RONDELLA INFERIORE	50	01308.0.00.03	INFERIOR WASHER
51	02211.0.00.03	MOLLA PER LEVA DOSATORE	51	02211.0.00.03	SPRING FOR DOSER LEVER
52	09753.0.00.04	PERNO OT D. 4X16	52	09753.0.00.04	PIN OT D. 4X16
53	12184.0.00.03	RONDELLA D. 11X5,3X1	53	12184.0.00.03	WASHER D. 11X5,3X1
54	00897.0.00.03	MOLLA PER PERNO SAGOMATO	54	00897.0.00.03	SPRING FOR PIN
55	12183.0.00.03	GRAMBIALINO D. 20X5,5X1,5	55	12183.0.00.03	WASHER D. 20X5,5X1,5
56	00899.0.00.03	MOLLA PER CONTACOLPI	56	00899.0.00.03	SPRING FOR COUNTER
57	01247.0.00.03	VITE TCEI 5X10 UNI 5931	57	01247.0.00.03	SCREW TCEI 5X10 UNI 5931
58	01309.0.00.03	RONDELLA RDE 5	58	01309.0.00.03	WASHER RDE 5
59	10204.0.00.02	PRESSINO	59	10204.0.00.02	PRESSER
60	10205.0.00.02	COPERCHIO PRESSINO	60	10205.0.00.02	PRESSER COVERING
61	08563.0.00.02	GUIDA PER PERNO	61	08563.0.00.02	GUIDE FOR BUSH
62	12186.0.00.03	DADO 6 MA	62	12186.0.00.03	NUT 6 MA
63	12187.0.00.03	RONDELLA D. 18X6,3X1,5	63	12187.0.00.03	WASHER D. 18X6,3X1,5
64	02117.0.00.04	PERNO	64	02117.0.00.04	PIN
65	01462.0.00.02	CRICCHETTO	65	01462.0.00.02	GEAR
66	02120.0.00.04	LEVA DOSATORE COMPLETA	66	02120.0.00.04	COMPLETE LEVER DOSER
67	02695.0.00.03	VITE TSP CE 5X8 UNI 5933	67	02695.0.00.03	SCREW TSP CE 5X8 UNI 5933
68	12185.0.00.03	COPIGLIA D. 2X10	68	12185.0.00.03	SPLIT PIN D. 2X10
69	01986.2.00.08	CONTACOLPI	69	01986.2.00.08	COUNTER
70	00799.0.00.02	STELLA INFERIORE	70	00799.0.00.02	LOWER STAR
71	12164.0.00.03	RONDELLA D. 21X8,4X1,5	71	12164.0.00.03	WASHER D. 21X8,4X1,5
72	00898.0.00.03	MOLLA REGOLAZIONE DOSATURA	72	00898.0.00.03	SPRING REGULATION DOSAGE
73	01488.0.00.02	STELLA CON SFERA	73	01488.0.00.02	STAR WITH SPHERE
74	01772.0.40.01	LAMIERINO DOSATORE	74	01772.0.40.01	DOSING SHEET
75	01485.0.00.02	STELLA SUPERIORE	75	01485.0.00.02	HUPPER STAR
76	02692.0.00.03	DADO 4 MA UNI 5587	76	02692.0.00.03	NUT 4 MA UNI 5587
77	08612.0.00.04	ASTA PER MOLLA SAGOMATA	77	08612.0.00.04	ROD FOR SPRING
78	09610.0.00.02	POMOLO REGOLAZIONE DOSE	78	09610.0.00.02	DOSE REGULATING KNOB
79	02215.0.00.03	MOLLA SAGOMATA	79	02215.0.00.03	SHAPED SPRING
80	01429.0.00.02	PLEXIGLASS	80	01429.0.00.02	PLEXIGLASS
81	02090.0.00.04	ANELLO DOSATORE	81	02090.0.00.04	DOSING DEVICE RING
82	08949.0.00.03	SEEGER DI 6 BRUNITO	82	08949.0.00.03	SEEGER DI 6
83	01313.0.00.03	VITE TSPCE 8X20 UNI	83	01313.0.00.03	SCREW TSPCE 8X20 UNI
84	09755.0.00.04	SCATOLA DOSATORE	84	09755.0.00.04	DOSER BOX
85	09412.0.00.08	BOCCOLA A SCATTO SB-625-500	85	09412.0.00.08	BUSHING SB-625-500
86	07086.0.00.03	VITE TCP 3,9X9,5	86	07086.0.00.03	SCREW TCP 3,9X9,5
87	01163.4.00.09	SCATOLA MICRO	87	01163.4.00.09	MICRO BOX
88	04391.0.00.02	PULSANTE	88	04391.0.00.02	PUSH-BUTTON
89	02660.0.00.02	MEMBRANA	89	02660.0.00.02	MEMBRANE
91	00751.2.00.08	MICROINTERRUTTORE	91	00751.2.00.08	MICROSWITCH
92	02692.0.00.03	DADO 3 MA UNI 5587	92	02692.0.00.03	NUT 3 MA UNI 5587
93	01430.0.00.02	COPERCHIO DOSATORE	93	01430.0.00.02	DOSER COVERING
94	12755.0.00.02	TARGHETTA TRIANGOLARE SAETTA	94	12755.0.00.02	TRIANGULAR NAMEPLATE
95	10448.2.00.08	SENSORE MAGNETICO	95	10448.2.00.08	MAGNETIC SENSOR
96	09413.2.00.08	CAVO SPIRALATO COMPLETO UL	96	09413.2.00.08	COMPLETE SPIRAL CABLE UL
98	11413.0.00.02	GUSCIO SUPERIORE	98	11413.0.00.02	HUPPER CASING
99	11245.0.00.08	MAGNETE	99	11245.0.00.08	MAGNET
100	11414.0.00.02	GUSCIO INFERIORE	100	11414.0.00.02	INFERIOR CASING
101	12188.0.00.03	DADO AUTOBLOCCANTE	101	12188.0.00.03	SELFLOCKING NUT
102	12912.0.00.03	VITE 5X12	102	12912.0.00.03	SCREW 5X12
103	07537.0.00.08	MAGNETE	103	07537.0.00.08	MAGNET
104	13920.0.00.02	COLLARE PER CAMPANA ATOSSICO	104	13920.0.00.02	NO-TOXIC RING FOR COFFEE HOPPER
106	13919.0.00.02	AMMORTIZZATORI DA 80-110-40	106	13919.0.00.02	SHOCK-ABSORBER 80-110-40
107	08247.0.00.02	BOCCHETTONE PORTA-CAMPANA	107	08247.0.00.02	UNION FORCOFFEE HOPPER



**MACINADOSATORE RR65 SE**  
**COFFEE GRINDER WITH DOSING DEVICE RR65 SE**  
**MOLIN-DOSEUR CAFE RR65 SE**  
**KAFFEEMUEHLEMIT DOSIERGERAET RR65 SE**

1/2	13808.4.00.09	ASS.CAMPANA CONICA	1/2	13808.4.00.09	COFFEE HOPPER ASSEMBLY
3	01771.0.40.01	LAMIERINO DI CHIUSURA	3	01771.0.40.01	LOCK SHEET
4	12189.0.00.03	VITE TCCE 4X25 UNI 5831	4	12189.0.00.03	SCREW TCCE 4X25 UNI 5831
5	00796.0.00.02	GHIERA X BOCCHETTONE	5	00796.0.00.02	ADJUSTMENT RING NUT
6	13916.0.00.02	COLLARE PER CORPO ATOSSICO	6	13916.0.00.02	RING FOR NO-TOXIC BODY
7	15629.0.20.01	CARROZZERIA RR65	7	15629.0.20.01	OUTER CASE RR65
8	02121.0.00.04	BOCCHETTONE REGOLAZIONE MACINATURA	8	02121.0.00.04	GRINDING REGULATING UNION
9	00058.3.00.04	COPPIA MACINE	9	00058.3.00.04	MILLSTONE COUPLE
10	02691.0.00.03	DADO M10X1,25 BRUNITO UNI 5589	10	02691.0.00.03	NUT M10X1,25 UNI 5589
11	07079.0.00.03	VITE FORMEX 4X8	11	07079.0.00.03	SCREW FORMEX 4X8
12	07837.0.00.03	RONDELLA16X10X1,2	12	07837.0.00.03	WASHER 16X10X1,2
13	02077.0.00.04	PORTAMACINA	13	02077.0.00.04	MILLSTONE HOLDER
14	05351.0.00.04	GHIERA FILETTATA	14	05351.0.00.04	RING
15	05504.0.00.03	SEEGER DI 35	15	05504.0.00.03	SEEGER DI 35
16	05352.0.00.04	RONDELLA FERMA CUSCINETTO	16	05352.0.00.04	BEARING FIXING WASHER
17	05506.0.00.03	ANELLO DI COMPENSAZIONE	17	05506.0.00.03	SEAL RING
18	05507.0.00.03	CUSCINETTO 6202-2RS	18	05507.0.00.03	BEARING 6202-2RS
19	01987.2.00.08	CALICE	19	01987.2.00.08	HOUSING
20	01857.2.00.08	STATORE V. 220/50	20	01857.2.00.08	STATOR V. 220/50
21	11501.0.00.04	ALBERO MOTORE	21	11501.0.00.04	MOTOR SHAFT
22	11502.0.00.04	ROTORE	22	11502.0.00.04	ROTOR
23	11425.0.00.02	VENTOLA 12 PALE	23	11425.0.00.02	12 BLADES FAN
24	11756.0.00.04	CUSCINETTO 6202-2Z	24	11756.0.00.04	BEARING 6202-2Z
25	11757.0.00.04	CALOTTA X CUSCINETTO	25	11757.0.00.04	BEARING CAP
26	02025.0.00.04	CALOTTA MOTORE	26	02025.0.00.04	MOTOR CAP
27	14054.0.00.08	LINGUETTA FASTON	27	14054.0.00.08	FASTON
28	12181.0.00.03	VITE TE 4X80	28	12181.0.00.03	SCREWTE 4X80
29	01489.0.00.02	VENTOSA	29	01489.0.00.02	FOOT
30	10460.0.00.03	VITE TC 5X50	30	10460.0.00.03	SCREW TC 5X50
31	15374.0.00.02	BASAMENTO PER CC45	31	15374.0.00.02	BASE FOR CC45
32	15375.0.00.02	VASCHETTA RECUPERO CAFFÈ	32	15375.0.00.02	TRAY FOR COFFEE RECOVERY
33	01470.0.00.02	PERNO FERMA BOCCHETTONE	33	01470.0.00.02	RING NUT FASTENING PIN
34	02212.0.00.03	MOLLA PER PERNO	34	02212.0.00.03	SPRING FOR PIN
35	13918.0.00.02	GUARNIZ. BOCCA USCITA CAFFE'BERAFLEX	35	13918.0.00.02	COFFEE GRINDER GASKET BERAFLEX
36	12807.2.00.08	CAVO CON SPINA SHUKO	36	12807.2.00.08	SHUKO CABLE
37	12756.0.00.02	BLOCCACAVO	37	12756.0.00.02	CABLE SHAFT
38	03632.2.00.08	INTERRUTTORE LUMINOSO V.220	38	03632.2.00.08	LUMINOUS SWITCH V.220
39	15376.0.00.02	FORCELLA	39	15376.0.00.02	FORK
40	11051.2.00.08	SCHEDA RELÈ	40	11051.2.00.08	RELAY CARD
43	01430.0.00.02	COPERCHIO DOSATORE	43	01430.0.00.02	COVER FOR DOSER
45	12754.0.00.02	PIASTRINA COPRI FERITOIA	45	12754.0.00.02	COVER PLATE FOR SLIT
46	00763.0.00.02	COPERCHIO INFERIORE	46	00763.0.00.02	INFERIOR COVER
47	09776.0.00.03	SEEGER DI 4	47	09776.0.00.03	SEEGER DI 4
48	09775.0.00.03	VITE FISSAGGIO MOLLA	48	09775.0.00.03	SPRING FIXING SCREW
49	02221.0.00.03	MOLLA A SCATTO	49	02221.0.00.03	SPRING TO RELEASE
50	01308.0.00.03	RONDELLA INFERIORE	50	01308.0.00.03	INFERIOR WASHER
51	02211.0.00.03	MOLLA PER LEVA DOSATORE	51	02211.0.00.03	SPRING FOR DOSER LEVER
52	09753.0.00.04	PERNO OT D. 4X16	52	09753.0.00.04	PIN OT D. 4X16
53	12184.0.00.03	RONDELLA D. 11X5,3X1	53	12184.0.00.03	WASHER D. 11X5,3X1
54	00897.0.00.03	MOLLA PER PERNO SAGOMATO	54	00897.0.00.03	SPRING FOR PIN
55	12183.0.00.03	GRAMBIALINO D. 20X5,5X1,5	55	12183.0.00.03	WASHER D. 20X5,5X1,5
56	00899.0.00.03	MOLLA PER CONTACOLPI	56	00899.0.00.03	SPRING FOR COUNTER
57	01247.0.00.03	VITE TCEI 5X10 UNI 5931	57	01247.0.00.03	SCREW TCEI 5X10 UNI 5931
58	01309.0.00.03	RONDELLA RDE 5	58	01309.0.00.03	WASHER RDE 5
59	10204.0.00.02	PRESSINO	59	10204.0.00.02	PRESSER
60	10205.0.00.02	COPERCHIO PRESSINO	60	10205.0.00.02	PRESSER COVERING
61	08563.0.00.02	GUIDA PER PERNO	61	08563.0.00.02	GUIDE FOR BUSH
62	12186.0.00.03	DADO 6 MA	62	12186.0.00.03	NUT 6 MA
63	12187.0.00.03	RONDELLA D. 18X6,3X1,5	63	12187.0.00.03	WASHER D. 18X6,3X1,5
64	02117.0.00.04	PERNO	64	02117.0.00.04	PIN
65	01462.0.00.02	CRICCHETTO	65	01462.0.00.02	GEAR
66	02120.0.00.04	LEVA DOSATORE COMPLETA	66	02120.0.00.04	COMPLETE LEVER DOSER
67	02695.0.00.03	VITE TSP CE 5X8 UNI 5933	67	02695.0.00.03	SCREW TSP CE 5X8 UNI 5933
68	12185.0.00.03	COPIGLIA D. 2X10	68	12185.0.00.03	SPLIT PIN D. 2X10
69	01986.2.00.08	CONTACOLPI	69	01986.2.00.08	COUNTER
70	00799.0.00.02	STELLA INFERIORE	70	00799.0.00.02	LOWER STAR
71	12164.0.00.03	RONDELLA D. 21X8,4X1,5	71	12164.0.00.03	WASHER D. 21X8,4X1,5
72	00898.0.00.03	MOLLA REGOLAZIONE DOSATURA	72	00898.0.00.03	SPRING REGULATION DOSAGE
73	01488.0.00.02	STELLA CON SFERA	73	01488.0.00.02	STAR WITH SPHERE
74	01772.0.40.01	LAMIERINO DOSATORE	74	01772.0.40.01	DOSING SHEET
75	01485.0.00.02	STELLA SUPERIORE	75	01485.0.00.02	HUPPER STAR
76	02692.0.00.03	DADO 4 MA UNI 5587	76	02692.0.00.03	NUT 4 MA UNI 5587
77	08612.0.00.04	ASTA PER MOLLA SAGOMATA	77	08612.0.00.04	ROD FOR SPRING
78	09610.0.00.02	POMOLO REGOLAZIONE DOSE	78	09610.0.00.02	DOSE REGULATING KNOB
79	02215.0.00.03	MOLLA SAGOMATA	79	02215.0.00.03	SHAPED SPRING
80	01429.0.00.02	PLEXIGLASS	80	01429.0.00.02	PLEXIGLASS
81	02090.0.00.04	ANELLO DOSATORE	81	02090.0.00.04	DOSING DEVICE RING
82	08949.0.00.03	SEEGER DI 6 BRUNITO	82	08949.0.00.03	SEEGER DI 6
83	01313.0.00.03	VITE TSPCE 8X20 UNI	83	01313.0.00.03	SCREW TSPCE 8X20 UNI
84	09755.0.00.04	SCATOLA DOSATORE	84	09755.0.00.04	DOSER BOX
85	09412.0.00.08	BOCCOLA A SCATTO SB-625-500	85	09412.0.00.08	BUSHING SB-625-500
86	11417.0.00.02	PIASTRINA IN ABS NYLON	86	11417.0.00.02	PLATE ABS NYLON
87	12753.0.00.02	ANTIVIBRANTE	87	12753.0.00.02	ANTI-VIBRATION
88	11408.0.00.04	DISTANZIALE	88	11408.0.00.04	DISTANCE PIECE
89	05565.0.00.03	VITE TCEI 5X25	89	05565.0.00.03	SCREW TCEI 5X25
90	01897.2.00.08	CONDENSATORE 12,5 MF	90	01897.2.00.08	CAPACITOR 12,5 MF
98	11413.0.00.02	GUSCIO SUPERIORE	98	11413.0.00.02	HUPPER CASING
99	11245.0.00.08	MAGNETE	99	11245.0.00.08	MAGNET
100	11414.0.00.02	GUSCIO INFERIORE	100	11414.0.00.02	INFERIOR CASING
101	12188.0.00.03	DADO AUTOBLOCCANTE	101	12188.0.00.03	SELFLOCKING NUT
102	12912.0.00.03	VITE 5X12	102	12912.0.00.03	SCREW 5X12
104	13920.0.00.02	COLLARE PER CAMPANA ATOSSICO	104	13920.0.00.02	NO-TOXIC RING FOR COFFEE HOPPER
106	13919.0.00.02	AMMORTIZZATORI DA 80-110-40	106	13919.0.00.02	SHOCK-ABSORBER 80-110-40
107	08247.0.00.02	BOCCHETTONE PORTA-CAMPANA	107	08247.0.00.02	UNION FORCOFFEE HOPPER

**Зип Общепит**

**vsezip.ru**

**+7(812)987-08-81**