

Зип Общепит

vsezip.ru

BRASILIA

the italian flair



105

105 SL

**CATALOGO RICAMBI
SPARE PARTS CATALOGUE
CATALOGUE PIÈCES DÉTACHÉES
ERSATZTEILKATALOG**

- 2 RICHIESTA PEZZI DI RICAMBIO - SPARE PARTS ORDER
COMMANDE DE PIECES DETACHÉES - ERSATZTEILEBESTELLUNG
- 3 CARROZZERIA - OUTER CASE - CAFFOSERIE - VERKLEIDUNG
- 5 TELAIO - FRAME - CHASSÎS - RAHMEN
- 7 - 9 CALDAIA - BOILER - CHAUDIERE - KESSEL
- 11 GRUPPO - GROUP - GROUPE - GRUPPE
- 13 GRUPPO **105SL** - GROUP **105SL** - GROUPE **105SL** - GRUPPE **105SL**
- 15 RUBINETTI - TAPS /FAUCETS - ROBINETS - HÄHNE
- 17 RUBINETTI **105SL** - TAPS /FAUCETS **105SL** - ROBINETS **105SL** - HÄHNE **105SL**
- 19 RUBINETTO GOMMA 2000 - RUBBER VALVE FAUCETS 2000
ROBINETS GOMME 2000 - HAHN MIT GUMMIVERSCHLUSS 2000 **OPTIONAL**
- 21 MASSELLO VALVOLE - VALVES GROUP - GROUPE SOUPAPES -VENTILSGRUPPE
- 23 MASSELLO VALVOLE **105SL** - VALVES GROUP **105SL**
GROUPE SOUPAPES **105SL** -VENTILSGRUPPE **105SL**
- 25 ASSIEME GAS - GAS ASSEMBLY - INSTALLATION GAS - GASVORRICHTUNGSATZ
- 27 POMPA E LIVELLO - PUMP AND LEVEL - POMPE ET NIVEAU - PUMPE UND ZUSTAND
- 29 COMPONENTI ELETTRICI ED ELETTRONICI - ELECTRIC AND ELECTRONIC COMPONENTS
COMPOSANTS ELECTRIQUES ET ELECTRONIQUES - ELEKTRISCHE UND ELEKTRON.BESTANDTEILE
- 31 COMPONENTI VARI - VARIOUS COMPONENTS
DIVERS COMPOSANTS - VERSCHIEDENE BESTANDTEILE

| REV. N° | DATA / DATE / DATUM | MODIFICA / CHANGE / MODIFICATION / VERÄNDERUNG |
|---------|---------------------|----------------------------------------------------------------------------------------------------------------------------------------------------------------------------------------|
| 1 | 02/1996 | ELETTRONICA / ELECTRONICS / ELECTRONIQUE / ELEKTRONIK |
| 2 | 03/2000 | NUOVA ELETTRONICA / NEW ELECTRONICS / NOUVELLE ELECTRONIQUE / NEUE ELEKTRONIK |
| 3 | 08/2002 | NUOVA ELETTRONICA / NEW ELECTRONICS / NOUVELLE ELECTRONIQUE / NEUE ELEKTRONIK |
| 4 | 06/2004 | SONDA (P.9-11) e VALVOLA VUOTO ARIA (P.21) / PROBE (P.9-11) and VACUUM VALVE (P.21) / SONDE (P.9-11) et CLAPET DE VIDE PNEUMATIQUE (P.21) / SONDE (S.9-11) und VAKUUMVENTILSATZ (S.21) |
| 5 | 10/2005 | 105 SL |
| 6 | 06/2009 | PORTAFILTRO / FILTERHOLDER / PORTE-FILTRE / FILTERHALTER |

IMPORTANTE!

Per la richiesta dei pezzi di ricambio citare:

- Numero di codice del pezzo
- Denominazione
- Per i codici che presentano due asterischi * *, specificare il colore
- Quantità richiesta
- Pagina

MANCANDO I DATI RICHIESTI, L'ORDINE NON POTRÀ ESSERE EVASO

IMPORTANT!

For spare parts order, please mention:

- Spare part code number
- Denomination
- If you find code numbers with two asterisks * * please specify the requested color
- Requested quantity
- Page

IF REQUESTED DATA ARE MISSING, THE ORDER CANNOT BE EXECUTED

IMPORTANT!

Pour toutes commandes de pièces détachées, mentionner svp:

- Numero de référence
- Denomination
- Si les numeros de référence ont deux astérisques * *, spécifier la couleur
- Quantité demandée
- Page

LA COMMANDE NE POURRA PAS ÊTRE EXECUTÉE SANS CES DONNÉES

WICHTIG!

Jede Ersatzteilebestellung soll folgende Angaben beinhalten:

- Identnummer
- Bezeichnung
- Bei Identnummer mit zwei Asterisken * *, muß die Farbe angegeben werden
- Gewünschte Menge
- Seite

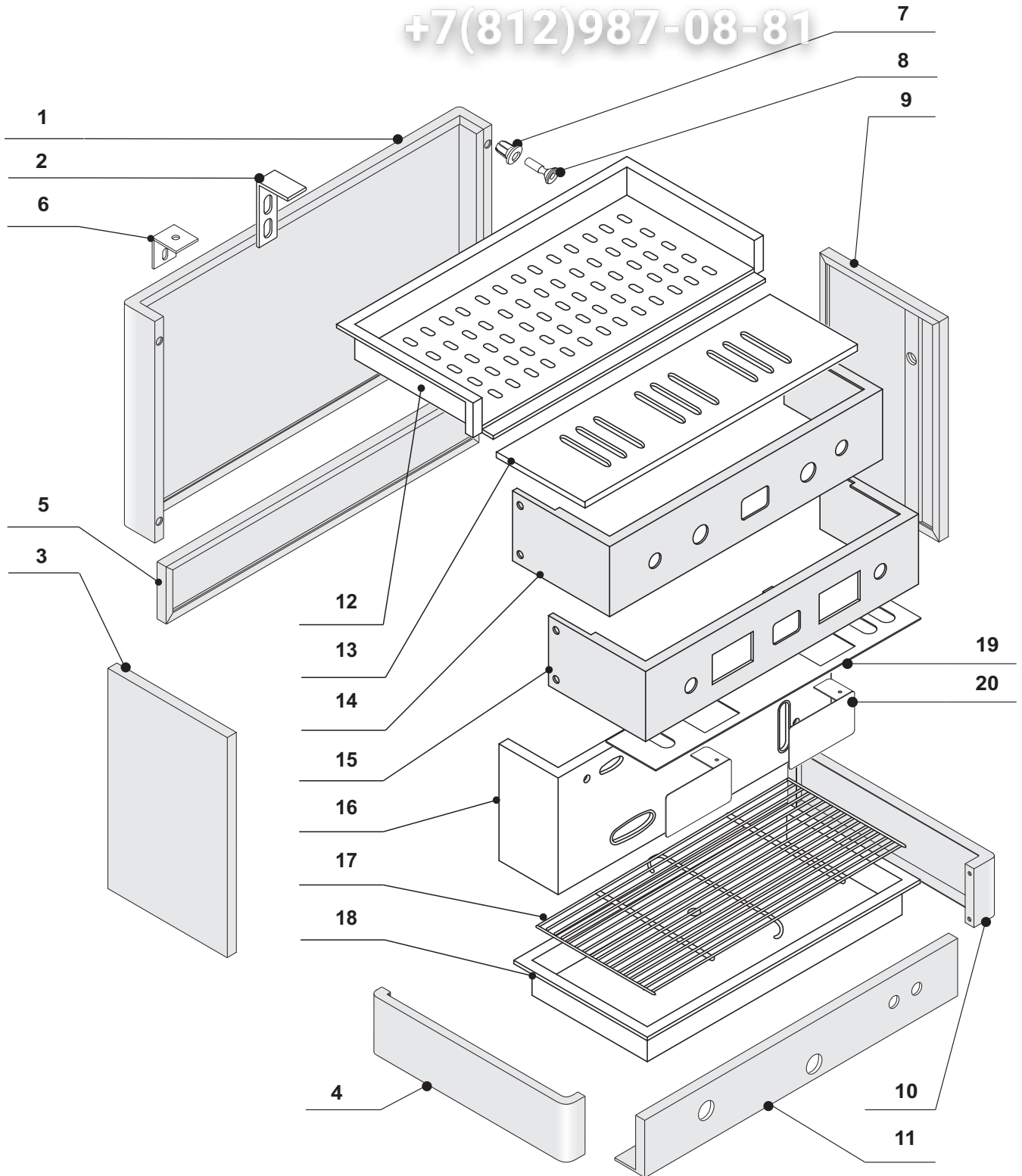
**DER AUFTRAG KANN NICHT BEARBEITET WERDEN,
WENN OBENGENANNT ANGABEN FEHLEN**

| | | | |
|-------------------------------------------------------------------------------------|---------------------------------------------------------------------------|---------------------------------------------------------|-----------------------------------------------|
| | | | |
| Numero di codice Code number Numero de référence Identnummer | Denominazione Denominatio Denomination Bezeichnung | Quantità Quantity Quantité Menge | Pagina Page Page Seite |

ЭПІ ВЩЕЇТ

vsezip.ru

+7(812)987-08-81



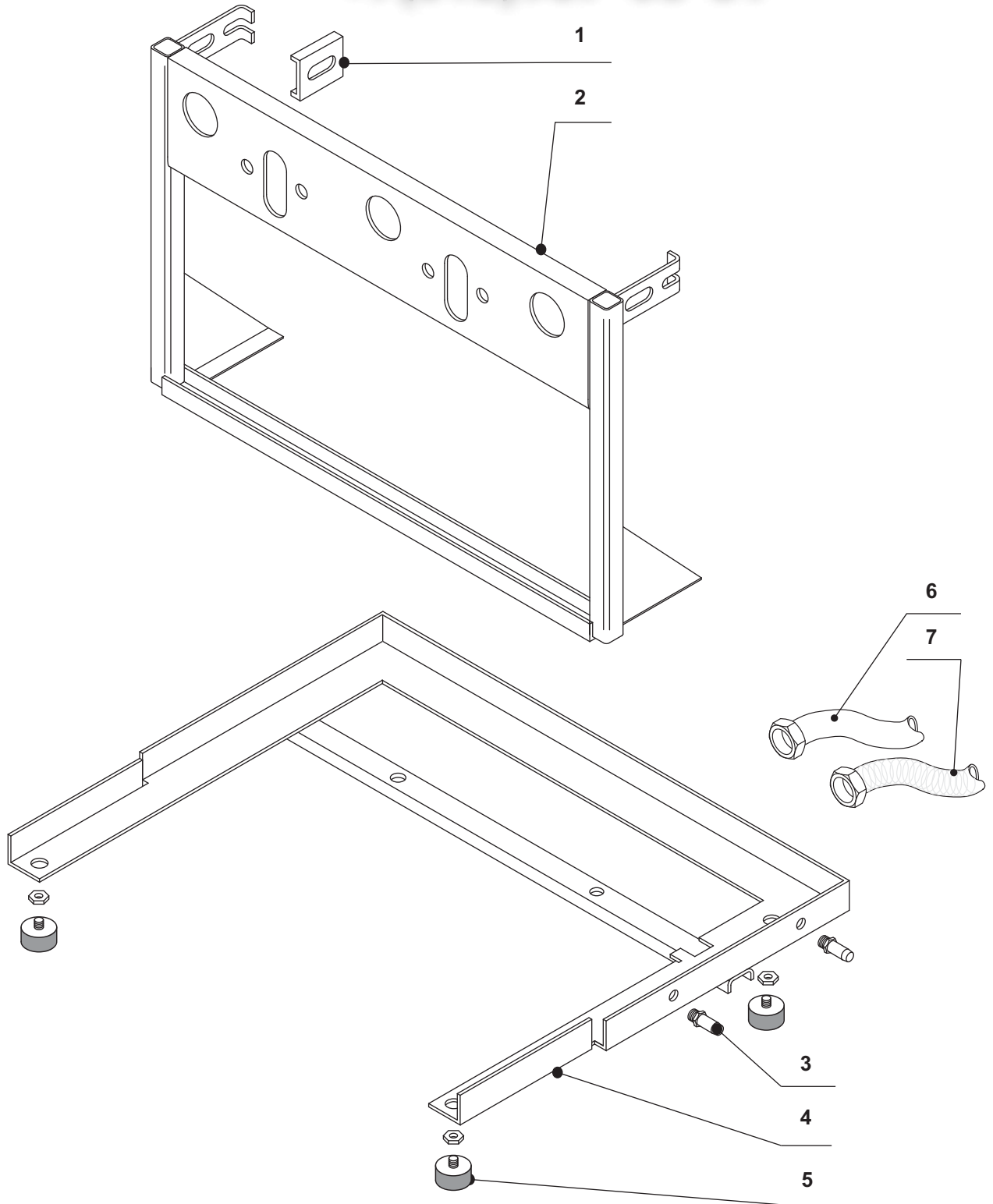
**CARROZZERIA - OUTER CASE
CARROSSERIE VERKLEIDUNG**

| | | |
|--------------------|------------------------------------------|--------------------------------------------|
| 1 - 06069.0.**.01 | PANNELLO POSTERIORE 1GR. | REAR PANEL 1GR. |
| 06070.0.**.01 | PANNELLO POSTERIORE 2GR. | REAR PANEL 2GR. |
| 06071.0.**.01 | PANNELLO POSTERIORE 3GR. | REAR PANEL 3GR. |
| 06072.0.**.01 | PANNELLO POSTERIORE 4GR. | REAR PANEL 4GR. |
| 2 - 05883.0.00.01 | SQUADRA SUPPORTO VASCA SCALDATAZZE | CUP WARMER BASIN FIXING FITTING |
| 3 - 06058.2.**.01 | SPALLA SUPERIORE SINISTRA | UPPER LEFT PANEL |
| 4 - 06060.0.**.01 | SPALLA INFERIORE SINISTRA | LOWER LEFT PANEL |
| 5 - 06062.0.**.01 | FASCIA POSTERIORE INFERIORE 1GR. | REAR LOWER BAND 1GR. |
| 06063.0.**.01 | FASCIA POSTERIORE INFERIORE 2GR. | REAR LOWER BAND 2GR. |
| 06064.0.**.01 | FASCIA POSTERIORE INFERIORE 3GR. | REAR LOWER BAND 3GR. |
| 06065.0.**.01 | FASCIA POSTERIORE INFERIORE 4GR. | REAR LOWER BAND 4GR. |
| 6 - 06066.0.00.01 | SQUADRA DX/SX SUPPORTO VASCA SCALDATAZZE | CUP WARMER BASIN RIGHT/LEFT FIXING FITTING |
| 7 - 05817.0.00.02 | BUSSOLA FISSAGGIO CARROZZERIA | OUTER CASE FIXING BUSH |
| 8 - 05818.0.00.02 | PULSANTE FISSAGGIO CARROZZERIA | OUTER CASE FIXING BUTTON |
| 9 - 06057.2.**.01 | SPALLA SUPERIORE DESTRA | UPPER RIGHT PANEL |
| 10 - 06059.0.**.01 | SPALLA INFERIORE DESTRA | LOWER RIGHT PANEL |
| 11 - 06074.0.**.01 | FASCIA PORTABACINELLA 1GR. | DRAIN TRAY HOLDER-BAND 1GR. |
| 06075.0.**.01 | FASCIA PORTABACINELLA 2GR. | DRAIN TRAY HOLDER-BAND 2GR. |
| 14239.0.**.01 | FASCIA PORTABACINELLA 2GR. 105SL | DRAIN TRAY HOLDER-BAND 2GR. 105SL |
| 06076.0.**.01 | FASCIA PORTABACINELLA 3GR. | DRAIN TRAY HOLDER-BAND 3GR. |
| 06077.0.**.01 | FASCIA PORTABACINELLA 4GR. | DRAIN TRAY HOLDER-BAND 4GR. |
| 12 - 05863.0.40.01 | VASCA SCALDATAZZE 1GR. | CUP WARMER BASIN 1GR. |
| 05864.0.40.01 | VASCA SCALDATAZZE 2GR. | CUP WARMER BASIN 2GR. |
| 05865.0.40.01 | VASCA SCALDATAZZE 3GR. | CUP WARMER BASIN 3GR. |
| 05866.0.40.01 | VASCA SCALDATAZZE 4GR. | CUP WARMER BASIN 4GR. |
| 13 - 05867.0.40.01 | SUPPORTO COPRIGRUPPO 1GR. | GROUP COVERING SUPPORT 1GR. |
| 05868.0.40.01 | SUPPORTO COPRIGRUPPO 2GR. | GROUP COVERING SUPPORT 2GR. |
| 05869.0.40.01 | SUPPORTO COPRIGRUPPO 3GR. | GROUP COVERING SUPPORT 3GR. |
| 05870.0.40.01 | SUPPORTO COPRIGRUPPO 4GR. | GROUP COVERING SUPPORT 4GR. |
| 14 - 06044.0.**.01 | PORTACOMANDI 1GR.P | CONTROL HOLDER BAND 1GR./P |
| 06045.0.**.01 | PORTACOMANDI 2GR.P | CONTROL HOLDER BAND 2GR./P |
| 06046.0.**.01 | PORTACOMANDI 3GR.P | CONTROL HOLDER BAND 3GR./P |
| 06047.0.**.01 | PORTACOMANDI 4GR.P | CONTROL HOLDER BAND 4GR./P |
| 15 - 06040.0.**.01 | PORTACOMANDI 1GR.DIG | CONTROL HOLDER BAND 1GR.DIG |
| 06041.0.**.01 | PORTACOMANDI 2GR.DIG | CONTROL HOLDER BAND 2GR.DIG |
| 06042.0.**.01 | PORTACOMANDI 3GR.DIG | CONTROL HOLDER BAND 3GR.DIG |
| 06043.0.**.01 | PORTACOMANDI 4GR.DIG | CONTROL HOLDER BAND 4GR.DIG |
| 16 - 13480.0.40.01 | PANNELLO LIVELLO-GAS 1GR. | GAS-LEVEL PANEL 1GR. |
| 13481.0.40.01 | PANNELLO LIVELLO-GAS 2GR. | GAS-LEVEL PANEL 2GR. |
| 13482.0.40.01 | PANNELLO LIVELLO-GAS 3GR. | GAS-LEVEL PANEL 3GR. |
| 13483.0.40.01 | PANNELLO LIVELLO-GAS 4GR. | GAS-LEVEL PANEL 4GR. |
| 17 - 03069.2.44.01 | GRIGLIA APPOGGIATAZZE 1GR. | GRATE FOR DRAIN TRAY 1GR. |
| 03070.2.44.01 | GRIGLIA APPOGGIATAZZE 2GR. | GRATE FOR DRAIN TRAY 2GR. |
| 03071.2.44.01 | GRIGLIA APPOGGIATAZZE 3GR. | GRATE FOR DRAIN TRAY 3GR. |
| 03072.2.44.01 | GRIGLIA APPOGGIATAZZE 4GR. | GRATE FOR DRAIN TRAY 4GR. |
| 18 - 06053.0.40.01 | BACINELLA DI SCARICO 1GR. | DRAIN TRAY 1GR. |
| 06054.0.40.01 | BACINELLA DI SCARICO 2GR. | DRAIN TRAY 2GR. |
| 06055.0.40.01 | BACINELLA DI SCARICO 3GR. | DRAIN TRAY 3GR. |
| 06056.0.40.01 | BACINELLA DI SCARICO 4GR. | DRAIN TRAY 4GR. |
| 19 - 05867.0.40.01 | SUPPORTO COPRIGRUPPO 1GR. | GROUP COVERING SUPPORT 1GR. |
| 05868.0.40.01 | SUPPORTO COPRIGRUPPO 2GR. | GROUP COVERING SUPPORT 2GR. |
| 05869.0.40.01 | SUPPORTO COPRIGRUPPO 3GR. | GROUP COVERING SUPPORT 3GR. |
| 05870.0.40.01 | SUPPORTO COPRIGRUPPO 4GR. | GROUP COVERING SUPPORT 4GR. |
| 20 - 06089.0.40.01 | COPERTURA ELETTROVALVOLA | SOLENOID COVERING |

| | | |
|--------------------|-----------------------------------------------|-------------------------------------------------|
| 1 - 06069.0.**.01 | PANNEAU POSTERIEUR 1GR. | HINTERES PANEEL 1GR. |
| 06070.0.**.01 | PANNEAU POSTERIEUR 2GR. | HINTERES PANEEL 2GR. |
| 06071.0.**.01 | PANNEAU POSTERIEUR 3GR. | HINTERES PANEEL 3GR. |
| 06072.0.**.01 | PANNEAU POSTERIEUR 4GR. | HINTERES PANEEL 4GR. |
| 2 - 05883.0.00.01 | ESQUERRE SUPPORT CHAUFFE-TASSES | TASSENVORWÄRMER HALTERUNGSWINKEL |
| 3 - 06058.2.**.01 | EPAULE SUPERIEURE GAUCHE | OBERES LINKS-PANEEL |
| 4 - 06060.0.**.01 | EPAULE INFERIEURE GAUCHE | UNTERES LINKS-PANEEL |
| 5 - 06062.0.**.01 | BANDE POSTERIEURE INFERIEURE 1GR. | HINTERES UNTERPANEEL 1GR. |
| 06063.0.**.01 | BANDE POSTERIEURE INFERIEURE 2GR. | HINTERES UNTERPANEEL 2GR. |
| 06064.0.**.01 | BANDE POSTERIEURE INFERIEURE 3GR. | HINTERES UNTERPANEEL 3GR. |
| 06065.0.**.01 | BANDE POSTERIEURE INFERIEURE 4GR. | HINTERES UNTERPANEEL 4GR. |
| 6 - 06066.0.00.01 | ESQUERRE DROITE/GAUCHE SUPPORT CHAUFFE-TASSES | TASSENVORWÄRMER RECHTER/LINKER HALTERUNGSWINKEL |
| 7 - 05817.0.00.02 | DUILLE FIXAGE CARROSSERIE | KARROSSERIENBEFESTIGUNGSBUCHSE |
| 8 - 05818.0.00.02 | BOUTON FIXAGE CARROSSERIE | KARROSSERIENBEFESTIGUNGSKNOPF |
| 9 - 06057.2.**.01 | EPAULE SUPERIEURE DROITE | OBERES RECHTS-PANEEL |
| 10 - 06059.0.**.01 | EPAULE INFERIEURE DROITE | UNTERES RECHTS-PANEEL |
| 11 - 06074.0.**.01 | BANDE PORTE-BACINELLE 1GR. | ABLAUFWANNE HALTERUNGSBAND 1GR. |
| 06075.0.**.01 | BANDE PORTE-BACINELLE 2GR. | ABLAUFWANNE HALTERUNGSBAND 2GR. |
| 14239.0.**.01 | BANDE PORTE-BACINELLE 2GR. 105SL | ABLAUFWANNE HALTERUNGSBAND 2GR. 105SL |
| 06076.0.**.01 | BANDE PORTE-BACINELLE 3GR. | ABLAUFWANNE HALTERUNGSBAND 3GR. |
| 06077.0.**.01 | BANDE PORTE-BACINELLE 4GR. | ABLAUFWANNE HALTERUNGSBAND 4GR. |
| 12 - 05863.0.40.01 | CUVETTE CHAUFFE-TASSES 1GR. | TASSENVORWÄRMERWANNE 1GR. |
| 05864.0.40.01 | CUVETTE CHAUFFE-TASSES 2GR. | TASSENVORWÄRMERWANNE 2GR. |
| 05865.0.40.01 | CUVETTE CHAUFFE-TASSES 3GR. | TASSENVORWÄRMERWANNE 3GR. |
| 05866.0.40.01 | CUVETTE CHAUFFE-TASSES 4GR. | TASSENVORWÄRMERWANNE 4GR. |
| 13 - 05867.0.40.01 | SUPPORT COUVERTURE GROUPE 1GR | GRUPPENSCHUTZBAND 1GR. |
| 05868.0.40.01 | SUPPORT COUVERTURE GROUPE 2GR. | GRUPPENSCHUTZBAND 2GR. |
| 05869.0.40.01 | SUPPORT COUVERTURE GROUPE 3GR. | GRUPPENSCHUTZBAND 3GR. |
| 05870.0.40.01 | SUPPORT COUVERTURE GROUPE 4GR. | GRUPPENSCHUTZBAND 4GR. |
| 14 - 06044.0.**.01 | ORTECOMMANDES 1GR.P | STEUERTRÄGERBAND 1GR.P |
| 06045.0.**.01 | ORTECOMMANDES 2GR.P | STEUERTRÄGERBAND 2GR.P |
| 06046.0.**.01 | ORTECOMMANDES 3GR.P | STEUERTRÄGERBAND 3GR.P |
| 06047.0.**.01 | ORTECOMMANDES 4GR.P | STEUERTRÄGERBAND 4GR.P |
| 15 - 06040.0.**.01 | ORTECOMMANDES 1GR.DIG | STEUERTRÄGERBAND 1GR.DIG |
| 06041.0.**.01 | ORTECOMMANDES 2GR.DIG | STEUERTRÄGERBAND 2GR.DIG |
| 06042.0.**.01 | ORTECOMMANDES 3GR.DIG | STEUERTRÄGERBAND 3GR.DIG |
| 06043.0.**.01 | ORTECOMMANDES 4GR.DIG | STEUERTRÄGERBAND 4GR.DIG |
| 16 - 13480.0.40.01 | PANNEAU NIVEAU-GAS 1GR. | GAS-ZUSTAND PANEEL 1GR. |
| 13481.0.40.01 | PANNEAU NIVEAU-GAS 2GR. | GAS-ZUSTAND PANEEL 2GR. |
| 13482.0.40.01 | PANNEAU NIVEAU-GAS 3GR. | GAS-ZUSTAND PANEEL 3GR. |
| 13483.0.40.01 | PANNEAU NIVEAU-GAS 4GR. | GAS-ZUSTAND PANEEL 4GR. |
| 17 - 03069.2.44.01 | GRILLE POUR BACINELLE 1GR. | GITTER FÜR TROPFWANNE 1GR. |
| 03070.2.44.01 | GRILLE POUR BACINELLE 2GR. | GITTER FÜR TROPFWANNE 2GR. |
| 03071.2.44.01 | GRILLE POUR BACINELLE 3GR. | GITTER FÜR TROPFWANNE 3GR. |
| 03072.2.44.01 | GRILLE POUR BACINELLE 4GR. | GITTER FÜR TROPFWANNE 4GR. |
| 18 - 06053.0.40.01 | BACINELLE 1GR | TROPFWANNE 1GR. |
| 06054.0.40.01 | BACINELLE 2GR | TROPFWANNE 2GR. |
| 06055.0.40.01 | BACINELLE 3GR. | TROPFWANNE 3GR. |
| 06056.0.40.01 | BACINELLE 4GR. | TROPFWANNE 4GR. |
| 19 - 05867.0.40.01 | SUPPORT COUVERTURE GROUPE 1GR. | GRUPPENSCHUTZBAND 1GR. |
| 05868.0.40.01 | SUPPORT COUVERTURE GROUPE 2GR. | GRUPPENSCHUTZBAND 2GR. |
| 05869.0.40.01 | SUPPORT COUVERTURE GROUPE 3GR. | GRUPPENSCHUTZBAND 3GR. |
| 05870.0.40.01 | SUPPORT COUVERTURE GROUPE 4GR. | GRUPPENSCHUTZBAND 4GR. |
| 20 - 06089.0.40.01 | COUVERTURE ELECTROSOUPE | ELEKTROVENTILSABDECKUNG |

vsezip.ru

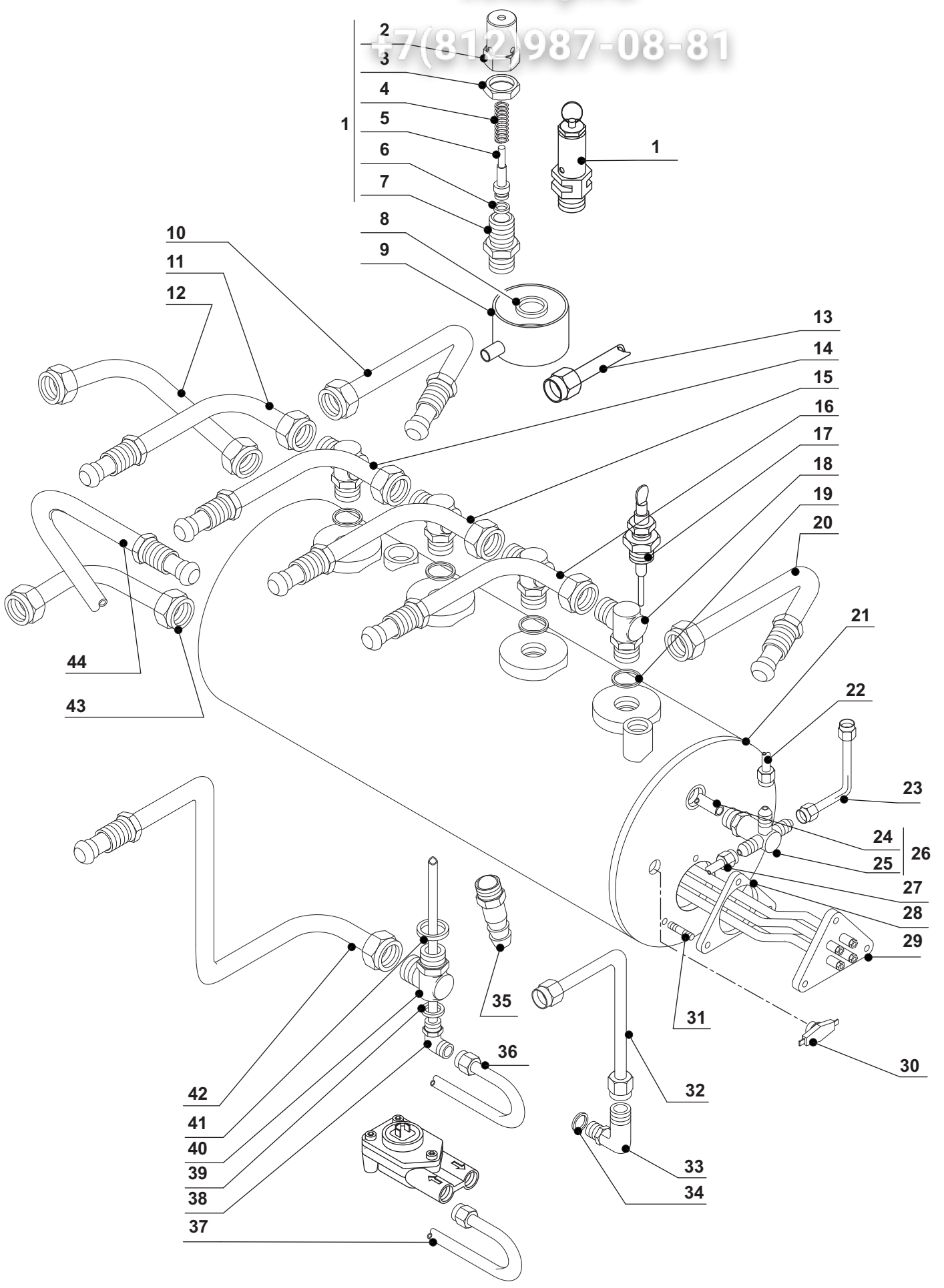
+7(812)987-08-81



| | | |
|-------------------|------------------------------------|--------------------------------|
| 1 - 00448.0.12.01 | PIASTRA FISSAGGIO CARROZZERIA | OUTER CASE FIXING BAND |
| 2 - 04458.2.12.01 | TELAIO FRONTALE 1GR. | FRONT FRAME 1GR. |
| 04459.2.12.01 | TELAIO FRONTALE 2GR. | FRONT FRAME 2GR. |
| 04460.2.12.01 | TELAIO FRONTALE 3GR. | FRONT FRAME 3GR. |
| 04461.2.12.01 | TELAIO FRONTALE 4GR. | FRONT FRAME 4GR. |
| 13476.2.12.01 | TELAIO FRONTALE 1GR. 105SL | FRONT FRAME 1GR. 105SL |
| 13477.2.12.01 | TELAIO FRONTALE 2GR. 105SL | FRONT FRAME 2GR. 105SL |
| 13478.2.12.01 | TELAIO FRONTALE 3GR. 105SL | FRONT FRAME 3GR. 105SL |
| 13479.2.12.01 | TELAIO FRONTALE 4GR. 105SL | FRONT FRAME 4GR. 105SL |
| 3 - 04665.0.00.04 | PERNO FISSAGGIO CARROZZERIA | OUTER CASE FIXING STUD |
| 4 - 04813.2.12.01 | TELAIO BASE 1GR. | BASE FRAME 1GR. |
| 04814.2.12.01 | TELAIO BASE 2GR. | BASE FRAME 2GR. |
| 04815.2.12.01 | TELAIO BASE 3GR. | BASE FRAME 3GR. |
| 04816.2.12.01 | TELAIO BASE 4GR. | BASE FRAME 4GR. |
| 5 - 00780.0.00.02 | PIEDINO ø50 H.30 | FOOT ø50 H.30 |
| 6 - 03467.2.00.04 | TUBO CARICO FLEX RACC. CM.150. | LOAD PIPE |
| 7 - 10835.6.00.09 | ASSIEME TUBO SCARICO SPIRALATO Ø14 | SPIRAL DRAIN PIPE ASSEMBLY Ø14 |

| | | |
|-------------------|---------------------------------------|------------------------------------|
| 1 - 00448.0.12.01 | PLAQUE FIXAGE CARROSSERIE | BEFESTIGUNGSPLATTE DER KARROSSERIE |
| 2 - 04458.2.12.01 | CHASSIS FRONTAL 1GR. | FRONTALER RAHMEN 1GR. |
| 04459.2.12.01 | CHASSIS FRONTAL 2GR. | FRONTALER RAHMEN 2GR. |
| 04460.2.12.01 | CHASSIS FRONTAL 3GR. | FRONTALER RAHMEN 3GR. |
| 04461.2.12.01 | CHASSIS FRONTAL 4GR. | FRONTALER RAHMEN 4GR. |
| 13476.2.12.01 | CHASSIS FRONTAL 1GR. 105SL | FRONTALER RAHMEN 1GR. 105SL |
| 13477.2.12.01 | CHASSIS FRONTAL 2GR. 105SL | FRONTALER RAHMEN 2GR. 105SL |
| 13478.2.12.01 | CHASSIS FRONTAL 3GR. 105SL | FRONTALER RAHMEN 3GR. 105SL |
| 13479.2.12.01 | CHASSIS FRONTAL 4GR. 105SL | FRONTALER RAHMEN 4GR. 105SL |
| 3 - 04665.0.00.04 | PIVOT FIXAGE CARROSSERIE | BEFESTIGUNGSBOLZEN DER KARROSSERIE |
| 4 - 04813.2.12.01 | CHASSIS DE BASE 1GR. | BASISRAHMEN 1GR. |
| 04814.2.12.01 | CHASSIS DE BASE 2GR. | BASISRAHMEN 2GR. |
| 04815.2.12.01 | CHASSIS DE BASE 3GR. | BASISRAHMEN 3GR. |
| 04816.2.12.01 | CHASSIS DE BASE 4GR. | BASISRAHMEN 4GR. |
| 5 - 00780.0.00.02 | PIED ø50 H.30 | FUß ø50 H.30 |
| 6 - 03467.2.00.04 | TUYAU CHARGE | ROHR LAST |
| 7 - 10835.6.00.09 | ENSEMBLE TUYAU DE VIDANGE SPIRALÉ Ø14 | SPIRALABLAUFROHR Ø14 |

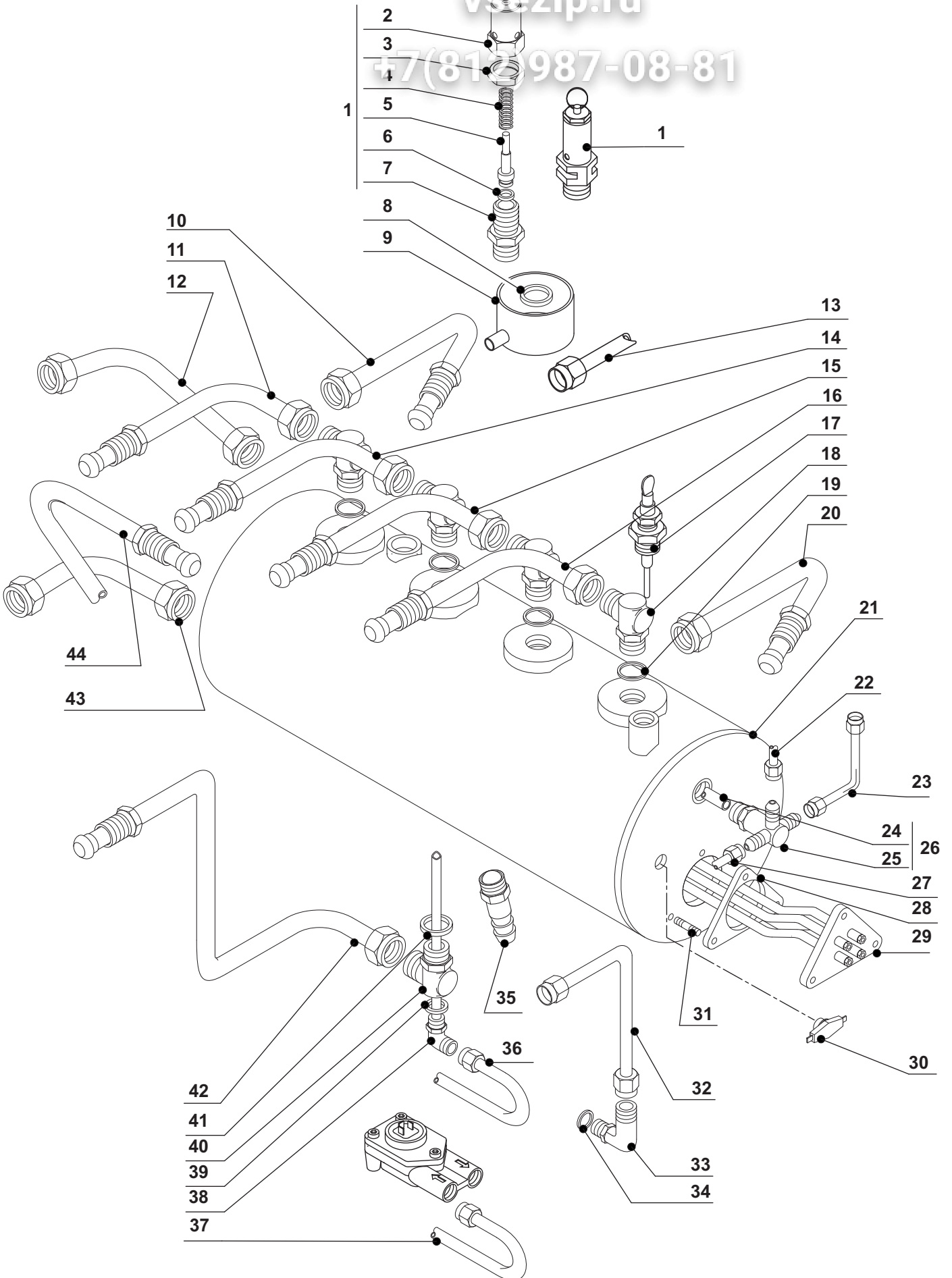
7(812)987-08-81



| | | |
|--------------------|---------------------------------------|-------------------------------------------------|
| 1 - 12611.4.00.09 | ASSIEME VALVOLA SICUREZZA C10 | SAFETY VALVE UNIT C10 |
| 01120.4.00.09 | ASSIEME VALVOLA SICUREZZA A MOLLA 3/8 | SPRING SAFETY VALVE UNIT 3/8 |
| 2 - 00204.0.00.04 | COPERTURA VALVOLA | SAFETY VALVE COVERING |
| 3 - 00205.0.00.04 | GHIERA VALVOLA | METAL RING FOR SAFETY VALVE |
| 4 - 00876.0.00.03 | MOLLA VALVOLA | SPRING FOR SAFETY VALVE |
| 5 - 00203.0.00.04 | PERNO DI TENUTA | CHECK PIN |
| 6 - 00837.0.00.02 | OR 109 EP 851 | GASKET OR 109 EP851 |
| 7 - 00202.0.00.04 | CORPO VALVOLA | SAFETY VALVE BODY |
| 8 - 01386.0.00.02 | GUARNIZIONE RAME | COPPER GASKET |
| 9 - 08229.0.00.02 | IMBUTO SCARICO | DRAIN FUNNEL |
| 10 - 00258.2.00.04 | TUBO VAPORE SX | LEFT STEAM PIPE |
| 11 - 06520.2.00.04 | TUBO ANDATA 4°GR. | INLET PIPE 4TH GR. |
| 12 - 00297.2.00.04 | TUBO LIVELLO SUPERIORE 1 GR. | UPPER LEVEL PIPE 1 GR. |
| 00268.2.00.04 | TUBO LIVELLO SUPERIORE 2-3-4 GR. | UPPER LEVEL PIPE 2-3-4 GR. |
| 13 - 00293.2.00.04 | TUBO MANOMETRO 1-2 GR. | PIPE FROM MANOMETER TO VALVE GROUP 1- 2 GR. |
| 00271.2.00.04 | TUBO MANOMETRO 3-4 GR. | PIPE FROM MANOMETER TO VALVE GROUP 3-4 GR. |
| 14 - 06519.2.00.04 | TUBO ANDATA 3°GR. | INLET PIPE 3RD GR. |
| 15 - 06517.2.00.04 | TUBO ANDATA 2°GR. | INLET PIPE 2ND GR. |
| 16 - 06518.2.00.04 | TUBO ANDATA 1°GR. | INLET PIPE 1STGR. |
| 17 - 00649.4.00.08 | SONDA | PROBE |
| 18 - 07407.0.00.04 | RACCORDO ANDATA | INLET PIPE FITTING |
| 19 - 07788.0.00.02 | GUARNIZIONE RAME 3 mm. | COPPER GASKET 3mm |
| 20 - 06238.2.00.04 | TUBO VAPORE DX | RIGHT STEAM PIPE |
| 21 - 01538.2.10.04 | CALDAIA 1 GR. | BOILER - 1GR. ø 180 |
| 02555.2.10.04 | CALDAIA 2 GR. | BOILER - 2GR. ø 180 |
| 02556.2.10.04 | CALDAIA 3 GR. | BOILER - 3GR. ø 180 |
| 02557.2.10.04 | CALDAIA 4 GR. | BOILER - 4GR. ø 180 |
| 11002.2.10.04 | CALDAIA 2 GR.-ITALIA / 105SL | BOILER - 2GR. ø 180-ITALY / 105SL |
| 11003.2.10.04 | CALDAIA 3 GR.-ITALIA | BOILER - 3GR. ø 180-ITALY |
| 11004.2.10.04 | CALDAIA 4 GR.-ITALIA | BOILER - 4GR. ø 180-ITALY |
| 22 - 00270.2.00.04 | TUBO MANOMETRO - CALDAIA 1-2-3 GR. | PIPE FROM MANOMETER TO BOILER 1-2-3 GR. |
| 00272.2.00.04 | TUBO MANOMETRO - CALDAIA 4 GR. | PIPE FROM MANOMETER TO BOILER 4 GR. |
| 23 - 02549.2.00.04 | TUBO CALDAIA - PRESSOSTATO | PIPE FROM BOILER TO PRESSURE SWITCH |
| 24 - 02576.0.00.04 | TUBO INIETTORE 10X8 | INJECTOR PIPE 10X8 |
| 25 - 00211.0.00.04 | RACCORDO A CROCE | CROSS PIPE FITTING |
| 26 - 02577.2.00.04 | TUBO INIETTORE CON RACCORDO A CROCE | INJECTOR PIPE WITH CROSS PIPE FITTING |
| 27 - 00269.2.00.04 | TUBO PRESSOSTATO GAS | PIPE FROM PRESSURE SWITCH TO GAS CONTROL |
| 28 - 00819.0.00.02 | GUARNIZIONE TRIANGOLARE RESISTENZA | TRIANGULAR GASKET FOR HEATING ELEMENT |
| 29 - 00614.2.00.08 | RESISTENZA 1800W 220V. 1 GR. | HEATING ELEMENT 1800W 220V. 1 GR. |
| 00615.2.00.08 | RESISTENZA 3000W. 220V. 2 GR. | HEATING ELEMENT 3000W. 220V. 2 GR. |
| 00616.2.00.08 | RESISTENZA 4000W. 220V. 3 GR. | HEATING ELEMENT 4000W. 220V. 3 GR. |
| 00617.2.00.08 | RESISTENZA 5000W. 220V. 4 GR. | HEATING ELEMENT 5000W. 220V. 4 GR. |
| 00620.2.00.08 | RESISTENZA 1800W 110V. 1 GR. | HEATING ELEMENT 1800W 110V. 1 GR. |
| 00621.2.00.08 | RESISTENZA 3000W. 110V. 2 GR. | HEATING ELEMENT 3000W. 110V. 2 GR. |
| 00622.2.00.08 | RESISTENZA 4000W. 110V. 3 GR. | HEATING ELEMENT 4000W. 110V. 3 GR. |
| 00623.2.00.08 | RESISTENZA 5000W. 110V. 4 GR. | HEATING ELEMENT 5000W. 110V. 4 GR. |
| 30 - 01978.2.00.08 | TERMOSTATO | THERMOSTAT |
| 31 - 01246.0.00.03 | PRIGIONIERO M8 | STUD BOLT M8 15X12 |
| 32 - 00262.2.00.04 | TUBO PRELIEVO ACQUA 2-3-4 GR. | WATER DRAWING PIPE 2-3-4GR. |
| 02483.2.00.04 | TUBO PRELIEVO ACQUA 1 GR. | WATER DRAWING PIPE 1GR. |
| 11106.2.00.04 | TUBO PRELIEVO ACQUA 2GR. 105SL | WATER DRAWING PIPE 2GR. 105SL |
| 33 - 00212.0.00.04 | RACCORDO AD ANGOLO G. 1/4 - 3/8 M | ELBOW PIPE FITTING G.1/4-3/8 |
| 34 - 01387.0.00.02 | GUARNIZIONE RAME | COPPER GASKET |
| 35 - 03516.0.00.04 | RACCORDO SCARICO CALDAIA | DRAIN PIPE FITTING FOR BOILER |
| 36 - 00274.2.00.04 | TUBO MASSELLO-SCAMBIATORE 1GR./P. | PIPE FROM VALVE GROUP TO HEAT EXCHANGER 1 GR./P |
| 00275.2.00.04 | TUBO MASSELLO-SCAMBIATORE 2GR./P. | PIPE FROM VALVE GROUP TO HEAT EXCHANGER 2 GR./P |
| 00276.2.00.04 | TUBO MASSELLO-SCAMBIATORE 3GR./P. | PIPE FROM VALVE GROUP TO HEAT EXCHANGER 3 GR./P |
| 00277.2.00.04 | TUBO MASSELLO-SCAMBIATORE 4GR./P. | PIPE FROM VALVE GROUP TO HEAT EXCHANGER 4 GR./P |
| 05643.2.00.04 | TUBO VENTOLINA-SCAMBIATORE /DIG. | PIPE FROM TURBINE TO HEAT EXCHANGER |
| 37 - 05648.2.00.04 | TUBO VENTOLINA - MASSELLO 1 GR./DIG | TURBINE FEEDING PIPE 1 GR./DIG |
| 05645.2.00.04 | TUBO VENTOLINA - MASSELLO 2 GR./DIG. | TURBINE FEEDING PIPE 2 GR./DIG |
| 05649.2.00.04 | TUBO VENTOLINA - MASSELLO 3 GR./DIG. | TURBINE FEEDING PIPE 3 GR./DIG |
| 05650.2.00.04 | TUBO VENTOLINA - MASSELLO 4 GR./DIG. | TURBINE FEEDING PIPE 4 GR./DIG |
| 38 - 06440.2.00.04 | TUBO INIETTORE ø 08 "L" L. 150 | INJECTOR PIPE ø 08 "L" L.150 |
| 39 - 01387.0.00.02 | GUARNIZIONE RAME | COPPER GASKET |
| 40 - 07408.2.00.04 | RACCORDO RITORNO G.1/2-1/2-1/4 | BACK PIPE FITTING G1/2-1/2-G.1/4 |
| 41 - 07788.0.00.02 | GUARNIZIONE RAME | COPPER GASKET |
| 42 - 06521.2.00.04 | TUBO RITORNO | BACK PIPE |
| 43 - 11775.2.00.04 | TUBO LIVELLO INFERIORE 1GR. | LOWER LEVEL PIPE 1GR. |
| 00268.2.00.04 | TUBO LIVELLO INFERIORE 2-3-4GR. | LOWER LEVEL PIPE 2-3-4GR. |
| 44 - 00296.2.00.04 | TUBO CARICO CALDAIA | BOILER CHARGE PIPE |
| 14198.2.00.04 | TUBO CARICO CALDAIA 105SL | BOILER CHARGE PIPE 105SL |

vsezip.ru

+7(812)987-08-81



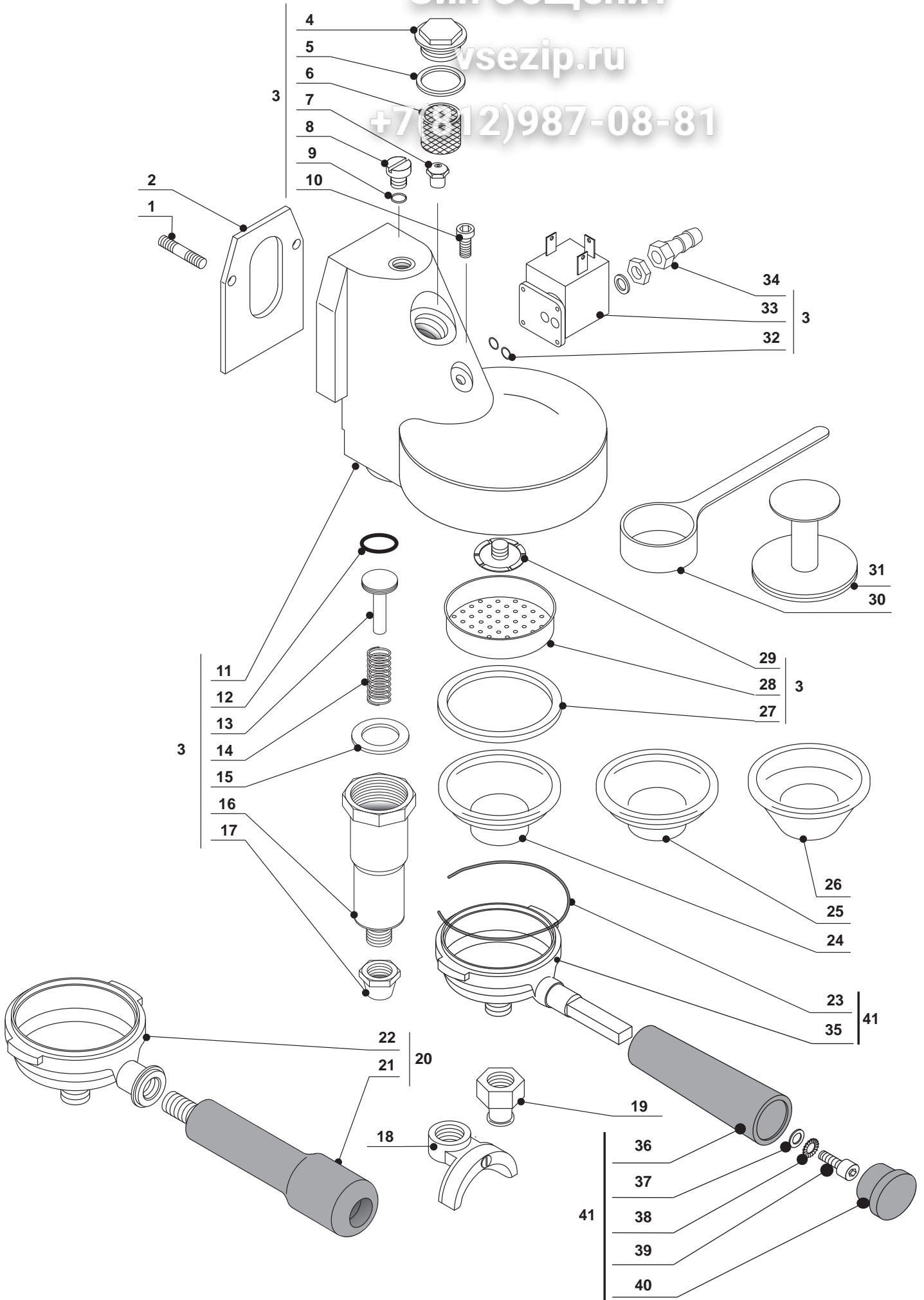
CALDAIA
BOILER
CHAUDIÈRE
KESSEL
vsezip.ru

| | | |
|--------------------|-----------------------------------------|----------------------------------------------|
| 1 - 12611.4.00.09 | ENSEMBLE SOUPAPE SECURITÉ C10 | SICHERHEITSVENTIL C10 |
| 01120.4.00.09 | ENSEMBLE SOUPAPE SECURITÉ À RESSORT 3/8 | EINHEIT FEDERSICHERHEITSVENTIL 3/8 |
| 2 - 00204.0.00.04 | COUVERTURE SOUPAPE | SICHERHEITSVENTIL DECKUNG |
| 3 - 00205.0.00.04 | EMBOUT SOUPAPE | SICHERHEITSVENTIL Dichtung |
| 4 - 00876.0.00.03 | RESSORT SOUPAPE | SICHERHEITSVENTIL FEDER |
| 5 - 00203.0.00.04 | GOUJON D'ÉTANCHEITÉ | BEFESTIGUNGSBOLZEN |
| 6 - 00837.0.00.02 | JOINT OR 109 EP851 | DICHTUNG OR 109 EP851 |
| 7 - 00202.0.00.04 | CORPS SOUPAPE | SICHERHEITSVENTILSKÖRPER |
| 8 - 01386.0.00.02 | GARNITURE CUIVRE | KUPFER DICHTUNG |
| 9 - 08229.0.00.02 | ENTONNOIR ÉCOULEMENT | TRICHTER FÜR SICHERHEITSVENTIL |
| 10 - 00258.2.00.04 | TUYAU VAPEUR GAUCHE | LINKES DAMPFROHR |
| 11 - 06520.2.00.04 | TUYAU ALLER 4ÈME GR. | EINGANGSROHR 4TE GRUPPE |
| 12 - 00297.2.00.04 | TUYAU SUPERIEUR NIVEAU 1GR. | OBERES WASSERZUSTANDSROHR 1 GR. |
| 00268.2.00.04 | TUYAU SUPERIEUR NIVEAU 2-3-4 GR. | OBERES WASSERZUSTANDSROHR 2-3-4GR. |
| 13 - 00293.2.00.04 | TUYAU MANOMETRE-GR. SOUPAPES 1-2GR. | ROHR MANOMETER-VENTILEN 1-2GR. |
| 00271.2.00.04 | TUYAU MANOMETRE-GR. SOUPAPES 3-4GR. | ROHR MANOMETER-VENTILEN 2-3GR. |
| 14 - 06519.2.00.04 | TUYAU ALLER 3ÈME GR. | EINGANGSROHR 3TE GR. |
| 15 - 06517.2.00.04 | TUYAU ALLER 2ND GR. | EINGANGSROHR 2TE GR. |
| 16 - 06518.2.00.04 | TUYAU ALLER 1ÈRE GR. | EINGANGSROHR 1TE GR. |
| 17 - 00649.4.00.08 | SONDE | SONDE |
| 18 - 07407.0.00.04 | RACCORD ALLER | EINGANGSVERBINDUNG |
| 19 - 07788.0.00.02 | GARNITURE CUIVRE | KUPFERDICHTUNG |
| 20 - 06238.2.00.04 | TUYAU VAPEUR DROIT | RECHTES DAMPFROHR |
| 21 - 01538.2.10.04 | CHAUDIÈRE - 1GR. | KESSEL - 1GR. |
| 02555.2.10.04 | CHAUDIÈRE - 2GR. | KESSEL - 2GR. |
| 02556.2.10.04 | CHAUDIÈRE - 3GR. | KESSEL - 3GR. |
| 02557.2.10.04 | CHAUDIÈRE - 4GR. | KESSEL - 4GR. |
| 11002.2.10.04 | CHAUDIÈRE - 2GR. Ø 180-ITALIE / 105SL | KESSEL - 2GR. -ITALIEN / 105SL |
| 11003.2.10.04 | CHAUDIÈRE - 3GR. Ø 180-ITALIE | KESSEL - 3GR. -ITALIEN |
| 11004.2.10.04 | CHAUDIÈRE - 4GR. Ø 180-ITALIE | KESSEL - 4GR. -ITALIEN |
| 22 - 00270.2.00.04 | TUYAU MANOMETRE-CHAUDIÈRE 1-2-3GR. | ROHR MANOMETER-KESSEL 1-2-3GR. |
| 00272.2.00.04 | TUYAU MANOMETRE-CHAUDIÈRE 4GR. | ROHR MANOMETER-KESSEL 4GR. |
| 23 - 02549.2.00.04 | TUYAU PRESSOSTAT-CHAUDIÈRE | ROHR KESSEL-DRUCKWÄCHTER |
| 24 - 02576.0.00.04 | TUYAU INJECTEUR | INJEKTORROHR |
| 25 - 00211.0.00.04 | RACCORD CROIX | KREUZVERBINDUNG |
| 26 - 02577.2.00.04 | TUYAU INJECTEUR AVEC RACCORD CROIX | INJEKTORROHR MIT KREUZVERBINDUNG |
| 27 - 00269.2.00.04 | TUYAU REGULATEUR GAS-CHAUDIÈRE | ROHR KESSEL-GAS REGULIERUNG |
| 28 - 00819.0.00.02 | JOINT TRIANGULAIRE POUR RESISTANCE | DREIECKIGE DICHTUNG FÜR WIDERSTAND |
| 29 - 00614.2.00.08 | RESISTANCE 1800W 220V. 1 GR. | WIDERSTAND 1800W 220V. 1 GR. |
| 00615.2.00.08 | RESISTANCE 3000W. 220V. 2 GR. | WIDERSTAND 3000W. 220V. 2 GR. |
| 00616.2.00.08 | RESISTANCE 4000W. 220V. 3 GR. | WIDERSTAND 4000W. 220V. 3 GR. |
| 00617.2.00.08 | RESISTANCE 5000W. 220V. 4 GR. | WIDERSTAND 5000W. 220V. 4 GR. |
| 00620.2.00.08 | RESISTANCE 1800W 110V. 1 GR. | WIDERSTAND 1800W 110V. 1 GR. |
| 00621.2.00.08 | RESISTANCE 3000W. 110V. 2 GR. | WIDERSTAND 3000W. 110V. 2 GR. |
| 00622.2.00.08 | RESISTANCE 4000W. 110V. 3 GR. | WIDERSTAND 4000W. 110V. 3 GR. |
| 00623.2.00.08 | RESISTANCE 5000W. 110V. 4 GR. | WIDERSTAND 5000W. 110V. 4 GR. |
| 30 - 01978.2.00.08 | THERMOSTAT | THERMOSTAT |
| 31 - 01246.0.00.03 | GOUJON M8 15X12 | GEWINDESTIFT M8 |
| 32 - 00262.2.00.04 | TUYAU PRELEVEMENT EAU 2-3-4 GR. | WASSERANZAPFUNGSROHR 2-3-4GR. |
| 02483.2.00.04 | TUYAU PRELEVEMENT EAU 1GR. | WASSERANZAPFUNGSROHR 1GR. |
| 11106.2.00.04 | TUYAU PRELEVEMENT EAU 2GR. 105SL | WASSERANZAPFUNGSROHR 2GR. 105SL |
| 33 - 00212.0.00.04 | COUDE G.1/4-3/8 | "L" VERBINDUNG G.1/4-3/8 |
| 34 - 01387.0.00.02 | GARNITURE EN CUIVRE | KUPFER DICHTUNG |
| 35 - 03516.0.00.04 | RACCORD VIDANGE CHAUDIÈRE | ABLAUFVERBINDUNG FÜR KESSEL |
| 36 - 00274.2.00.04 | TUYAU GR.SOUPAPES-ÉCHANGEUR 1GR/P | VENTILEN-WÄRMEAUSTAUCHERROHR 1GR/P |
| 00275.2.00.04 | TUYAU GR.SOUPAPES-ÉCHANGEUR 2GR/P | VENTILEN-WÄRMEAUSTAUCHERROHR 2 GR/P |
| 00276.2.00.04 | TUYAU GR.SOUPAPES-ÉCHANGEUR 3GR/P | VENTILEN-WÄRMEAUSTAUCHERROHR 3 GR/P |
| 00277.2.00.04 | TUYAU GR.SOUPAPES-ÉCHANGEUR 4GR/P | VENTILEN-WÄRMEAUSTAUCHERROHR 4 GR/P |
| 05643.2.00.04 | TUYAU TURBINETTE-ÉCHANGEUR | DURCHFLUSSGEBER-WÄRMEAUSTAUCHERROHR |
| 37 - 05648.2.00.04 | TUYAU GR.SOUPAPES-TURBINETTE 1GR/DIG | VENTILEN-DURCHFLUSSGEBEREINHEITSROHR 1GR/DIG |
| 05645.2.00.04 | TUYAU GR.SOUPAPES-TURBINETTE 2GR/DIG | VENTILEN-DURCHFLUSSGEBEREINHEITSROHR 2GR/DIG |
| 05649.2.00.04 | TUYAU GR.SOUPAPES-TURBINETTE 3GR/DIG | VENTILEN-DURCHFLUSSGEBEREINHEITSROHR 3GR/DIG |
| 05650.2.00.04 | TUYAU GR.SOUPAPES-TURBINETTE 4GR/DIG | VENTILEN-DURCHFLUSSGEBEREINHEITSROHR 4GR/DIG |
| 38 - 06440.2.00.04 | TUYAU INJECTEUR Ø 08 "L" L.150 | INJEKTORROHR Ø 08 "L" L.150 |
| 39 - 01387.0.00.02 | GARNITURE CUIVRE | KUPFER DICHTUNG |
| 40 - 07408.2.00.04 | RACCORD RETOUR 1/2-1/2-1/4 | RÜCKGANGSVERBINDUNG 1/2-1/2-1/4 |
| 41 - 07788.0.00.02 | GARNITURE CUIVRE 3mm | KUPFER DICHTUNG 3 mm |
| 42 - 06521.2.00.04 | TUYAU RETOUR | RÜCKGANGSROHR |
| 43 - 11775.2.00.04 | TUYAU INFERIEUR NIVEAU 1GR. | UNTERES WASSERZUSTANDESROHR 1GR. |
| 00268.2.00.04 | TUYAU INFERIEUR NIVEAU 2-3-4GR. | UNTERES WASSERZUSTANDESROHR 2-3-4GR. |
| 44 - 00296.2.00.04 | TUYAU ALIMENTATION CHAUDIÈRE | KESSEL SPEISUNGSROHR |
| 14198.2.00.04 | TUYAU ALIMENTATION CHAUDIÈRE 105SL | KESSEL SPEISUNGSROHR 105SL |

Зип Общепит

vsezip.ru

+7 (812) 987-08-81



Вит Общепит

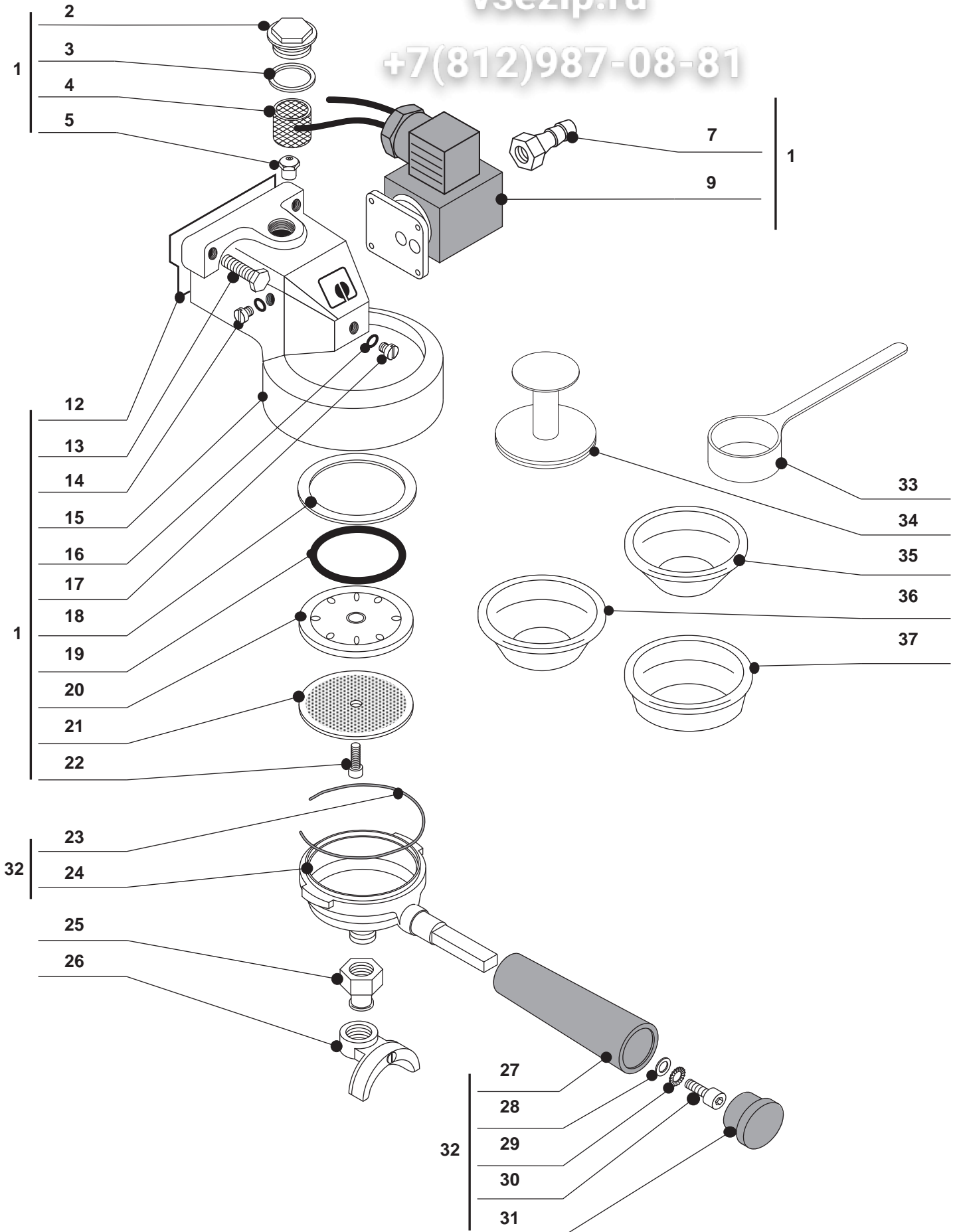
vsezi

+7(812)988-81

| | | |
|--------------------|-------------------------------------------------|-----------------------------------------------------|
| 1 - 01246.0.00.03 | PRIGIONIERO M8 | STUD BOLT M8 |
| 2 - 04394.0.00.02 | GUARNIZIONE ISOLANTE GRUPPO | GROUP INSULATING GASKET |
| 3 - 07745.6.00.09 | ASSIEME GRUPPO B/61 - V.230/50 | BREWING GROUP B/61 230V. ASSEMBLY |
| 09348.6.00.09 | ASSIEME GRUPPO B/61 - V.110/60 | BREWING GROUP B/61 110V. ASSEMBLY |
| 4 - 02106.0.00.04 | TAPPO GRUPPO | GROUP PLUG |
| 5 - 01406.0.00.02 | GUARNIZIONE TAPPO | PLUG GASKET |
| 6 - 00086.0.00.04 | FILTRO GICLEUR | JET FILTER |
| 7 - 00046.0.00.04 | GICLEUR | JET |
| 8 - 00233.0.00.04 | TAPPO MASCHIO 1/4 | PLUG G. 1/4 |
| 9 - 07002.0.00.02 | GUARNIZIONE TEFLON | TEFLON GASKET |
| 10 - 05545.0.00.03 | VITE TCEI 6X10 | SCREW 6X10 |
| 11 - 07423.0.10.04 | CORPO GRUPPO B/61 | B/61 GROUP BODY |
| 12 - 00800.0.00.02 | OR 124 EP851 | GASKET OR 124 EP851 |
| 13 - 04091.0.00.04 | PISTONE PER INFUSORE | INFUSER PISTON |
| 14 - 03788.0.00.03 | MOLLA PER INFUSORE GRUPPO | SPRING FOR INFUSER PISTON |
| 15 - 04360.0.00.02 | GUARNIZIONE TEFLON | TEFLON GASKET D.35X30X2 |
| 16 - 05597.0.10.04 | CORPO INFUSORE | INFUSER BODY |
| 17 - 04093.0.10.04 | RACCORDO INFERIORE INFUSORE | LOWER CONNECTOR FOR INFUSER |
| 18 - 00031.4.00.04 | BECCUCCIO A 2 VIE | 2 WAYS SPOUT |
| 19 - 00032.0.10.04 | BECCUCCIO A 1 VIA | 1 WAY SPOUT |
| 20 - 06396.4.00.09 | ASSIEME PORTAFILTRO +MANOPOLA - fino al 11/2007 | FILTER HOLDER ASSEMBLY+ HANDGRIP- until the 11/2007 |
| 21 - 06355.0.00.02 | MANOPOLA - fino al 11/2007 | HANDGRIP- until the 11/2007 |
| 22 - 02151.0.00.04 | CORPO PORTAFILTRO - fino al 11/2007 | FILTERHOLDER - until the 11/2007 |
| 23 - 00862.0.00.03 | MOLLA RITEGNO FILTRO 2 TAZZE | FILTER SPRING 2 CUPS |
| 02233.0.00.03 | MOLLA RITEGNO FILTRO 1 TAZZA | FILTER SPRING 1 CUP |
| 24 - 01702.0.40.01 | FILTRO 1 TAZZA 6 gr. | 1 CUP FILTER 6 grms |
| 25 - 01703.0.40.01 | FILTRO 2 TAZZE 12 gr. | 2 CUPS FILTER 12 grms |
| 26 - 00564.0.40.01 | FILTRO CIECO | BLIND FILTER |
| 27 - 04367.0.00.02 | GUARNIZIONE SOTTOCOPPA B/61 | SUPPLEMENTARY FILTER HOLDER GASKET B/61 |
| 28 - 04214.0.40.01 | DOCCIA GRUPPO B/61 | GROUP B/61 SHOWER |
| 29 - 04089.0.00.04 | ROMPIGETTO | SPOUTBREAKER |
| 30 - 00782.0.00.02 | MISURINO | COFFEE DOSER |
| 31 - 00779.0.00.02 | PRESSINO | COFFEE PRESSER |
| 32 - 00833.0.00.02 | OR 105 EP851 | GASKET OR 105 EP851 |
| 33 - 01947.4.00.08 | ELETTROVALVOLA 3 VIE 230V. | 3 WAYS SOLENOID VALVE V.230/50 |
| 01983.4.00.08 | ELETTROVALVOLA 3 VIE 110V. | 3 WAYS SOLENOID VALVE V.110/60 |
| 34 - 00180.0.00.04 | RACCORDO SCARICO ELETTROVALVOLA | OUTLET CONNECTION FOR SOLENOID |
| 35 - 19315.0.10.04 | PORTAFILTRO | FILTER HOLDER |
| 36 - 06365.0.00.02 | MANOPOLA PORTAFILTRO | HANDGRIP FOR FILTER HOLDER |
| 37 - 01290.0.00.03 | RONDELLA PIANA 8X17 | WASHER 8X17 |
| 38 - 01291.0.00.03 | RONDELLA RDE D. 8,5 | TOOTHED WASHER D.8.5 |
| 39 - 01260.0.00.03 | VITE TCEI M8 x 20 | SCREW TCEI M8 X 20 |
| 40 - 06364.0.00.02 | TAPPO PER MANOPOLA PORTAFILTRO | PLUG FOR FILTER HOLDER HANDGRIP |
| 41 - 17444.6.00.09 | ASSIEME PORTAFILTRO M1,4 | FILTER HOLDER ASSEMBLY M1,4 |
| 17445.6.00.09 | ASSIEME PORTAFILTRO M1,2 | FILTER HOLDER ASSEMBLY M1,2 |
| | | |
| 1 - 01246.0.00.03 | GOUJON M8 | GEWINDESTIFT M8 |
| 2 - 04394.0.00.02 | JOINT ISOLANT GROUPE | ISOLIERUNGSDICHTUNG |
| 3 - 07745.6.00.09 | ENSEMBLE GROUPE B/61 230V. | BRÜHGRUPPENEINHEIT B/61 230V. |
| 09348.6.00.09 | ENSEMBLE GROUPE B/61 110V. | BRÜHGRUPPENEINHEIT B/61 110V. |
| 4 - 02106.0.00.04 | BOUCHON GROUPE | GRUPPENDECKEL |
| 5 - 01406.0.00.02 | JOINT POUR BOUCHON | GRUPPENDICHTUNG |
| 6 - 00086.0.00.04 | FILTRE GICLEUR | GRUPPENFILTER |
| 7 - 00046.0.00.04 | GICLEUR | DÜSE MM 0,75 |
| 8 - 00233.0.00.04 | BOUCHON MALE 1/4 | GRUPPENZAPFEN 1/4 |
| 9 - 07002.0.00.02 | JOINT TEFLON | TEFLON DICHTUNG |
| 10 - 05545.0.00.03 | VIS TCEI 6X10 | SCHRAUBE 6X10 |
| 11 - 07423.0.10.04 | CORPS GROUPE B/61 | GRUPPENKÖRPER B/61 |
| 12 - 00800.0.00.02 | JOINT OR 124 EP851 | DICHTUNG OR 124 EP851 |
| 13 - 04091.0.00.04 | PISTON POUR INFUSEUR | AUFGUSSGERÄTSKOLBEN |
| 14 - 03788.0.00.03 | RESSORT POUR INFUSEUR | AUFGUSSGERÄTSFEDER |
| 15 - 04360.0.00.02 | JOINT TEFLON D.35X30X2 | TEFLON DICHTUNG D.35X30X2 |
| 16 - 05597.0.10.04 | CORPS INFUSEUR | AUFGUSSGERÄTSKÖRPER |
| 17 - 04093.0.10.04 | RACCORD INFERIEUR INFUSEUR | AUFGUSSGERÄTSANSCHLUSS |
| 18 - 00031.4.00.04 | BEC 2 VOIES | 2-WEG TUELLE |
| 19 - 00032.0.10.04 | BEC 1 VOIE | 1-WEG TUELLE |
| 20 - 06396.4.00.09 | ENSEMBLE PORTE-FILTRE+POIGNÉE- jusqu'au 11/2007 | FILTERHALTEREINHEIT +HANDGRIFF- bis zu 11/2007 |
| 21 - 06355.0.00.02 | POIGNÉE- jusqu'au 11/2007 | HANDGRIFF - bis zu 11/2007 |
| 22 - 02151.0.00.04 | PORTE-FILTRE- jusqu'au 11/2007 | FILTERHALTER - bis zu 11/2007 |
| 23 - 00862.0.00.03 | RESSORT FILTRE 2 TASSES | 2 TASSEN FEDER |
| 02233.0.00.03 | RESSORT FILTRE 1 TASSE | 1 TASSE FEDER |
| 24 - 01702.0.40.01 | FILTRE 1 TASSE GR. 6 | FILTER 1 TASSE GR. 6 |
| 25 - 01703.0.40.01 | FILTRE 2 TASSES GR. 12 | FILTER 2 TASSEN GR. 12 |
| 26 - 00564.0.40.01 | FILTRE AVEUGLE | BLINDFILTER |
| 27 - 04367.0.00.02 | JOINT PORTE-FILTRE GROUPE B/61 | ZUSÄTZLICHE SIEBTRÄGERDICHTUNG FÜR B/61 |
| 28 - 04214.0.40.01 | DOUCHE GROUPE B/61 | DUSCHE |
| 29 - 04089.0.00.04 | BRISE-JET | STRAHLENBRECHER |
| 30 - 00782.0.00.02 | DOSEUR CAFÉ | KAFFEEDOSIERER |
| 31 - 00779.0.00.02 | PRESSE-CAFÉ | KAFFEEPRESSER |
| 32 - 00833.0.00.02 | JOINT OR 105 EP851 | DICHTUNG OR 105 EP851 |
| 33 - 01947.4.00.08 | ELECTROSOUPE 3 VOIES V.230/50 | 3-WEG ELEKTROVENTIL 230V |
| 01983.4.00.08 | ELECTROSOUPE 3 VOIES V.110/60 | 3-WEG ELEKTROVENTIL 110V |
| 34 - 00180.0.00.04 | RACCORD VIDANGE SOUPE | ABLAUFVERBINDUNG FÜR ELEKTROVENTIL |
| 35 - 19315.0.10.04 | PORTE FILTRE | SIEBTRÄGER |
| 36 - 06365.0.00.02 | POIGNEE PORTE FILTRE | SIEBTRÄGERHANDGRIFF |
| 37 - 01290.0.00.03 | RONDELLE 8X17 | ABSTANDSRING 8X17 |
| 38 - 01291.0.00.03 | RONDELLE DENTÉ D.8.5 | GEZÄHNTE UNTERLAGSCHEIBE D.8.5 |
| 39 - 01260.0.00.03 | VIS TCEI M8 X 20 | SCHRAUBE TCEI M8 X 20 |
| 40 - 06364.0.00.02 | BOUCHON POUR POIGNEE PORTE FILTRE | VERSCHLUSSKAPPE DES SIEBTRÄGERHANDGRIFFES |
| 41 - 17444.6.00.09 | ENSEMBLE PORTE FILTRE M1,4 | SIEBTRÄGEREINHEIT M1,4 |
| 17445.6.00.09 | ENSEMBLE PORTE FILTRE M1,2 | SIEBTRÄGEREINHEIT M1,2 |

vsezip.ru

+7(812)987-08-81



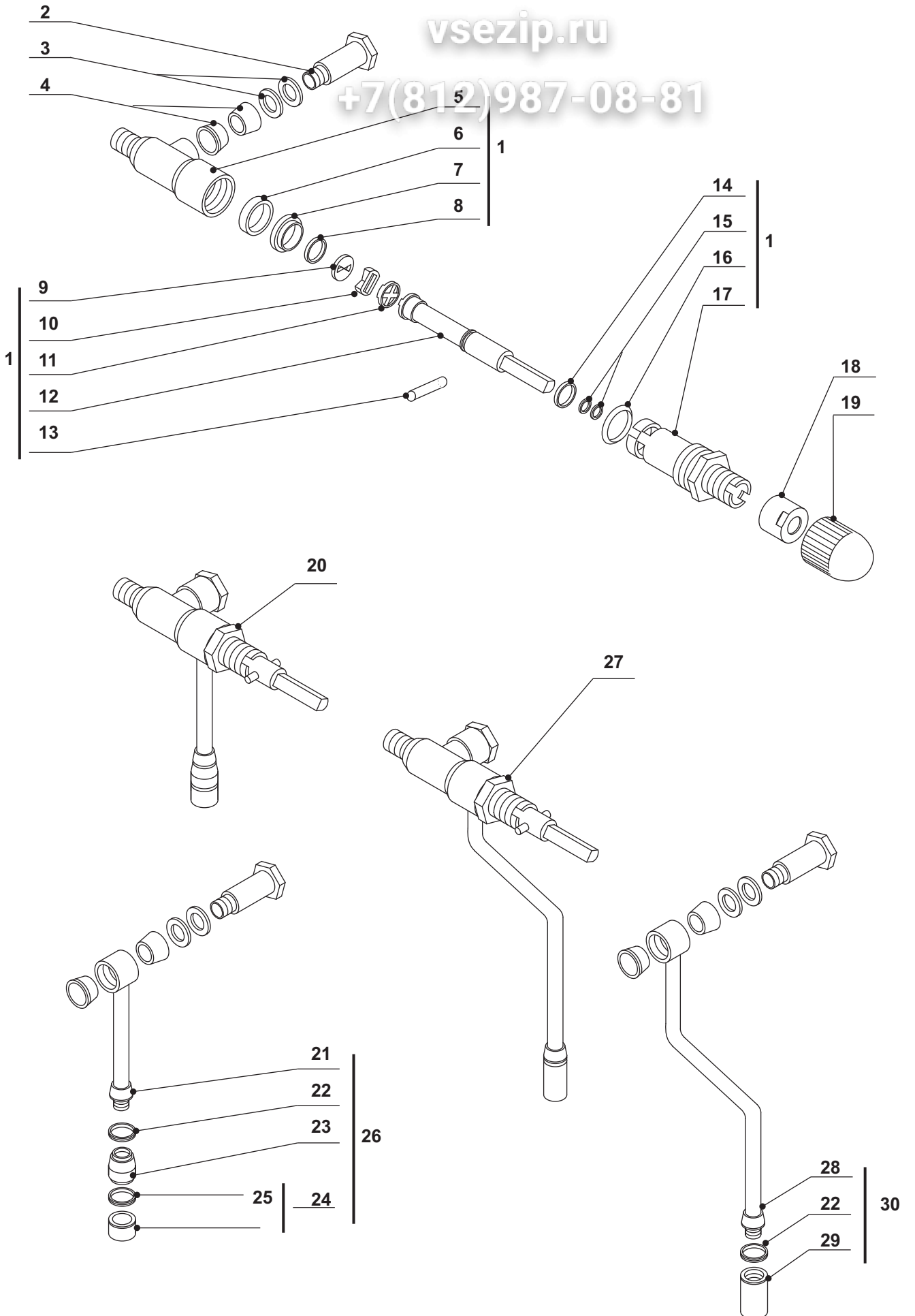
| | | |
|--------------------|---------------------------------------------------|-------------------------------------------------|
| 1 - 09327.6.00.09 | ASSIEME GRUPPO BE'96 230V. | ASSEMBLY GROUP BE'96 230V. |
| 2 - 02106.0.00.04 | TAPPO GRUPPO | GROUP FLUG |
| 3 - 01406.0.00.02 | GUARNIZIONE PER TAPPO | PLUG GASKET |
| 4 - 00086.0.00.04 | FILTRO GICLEUR | JET FILTER |
| 5 - 00046.0.00.04 | GICLEUR | JET |
| 7 - 00180.0.00.04 | RACCORDO SCARICO | OUTLET PIPE FITTING |
| 9 - 01947.4.00.08 | ELETTROVALVOLA A 3 VIE 220V. | 3 WAY SOLENOID VALVE 220V. |
| 01983.4.00.08 | ELETTROVALVOLA A 3 VIE 110V. | 3 WAY SOLENOID VALVE 110V. |
| 16194.4.00.08 | ELETTROVALVOLA A 3 VIE 220/50 - 240/60 - "RAISED" | 3 WAY SOLENOID VALVE 220/50 - 240/60 - "RAISED" |
| 12 - 00814.0.00.02 | GUARNIZIONE ISOLANTE GRUPPO | INSULATING GROUP GASKET |
| 13 - 01231.0.00.03 | VITE TE M8 X 25 | SCREW TE M8 X 25 |
| 14 - 07667.0.00.04 | TAPPO G. 1/4 | PLUG G. 1/4 |
| 15 - 08849.0.10.04 | CORPO GRUPPO BE'96 | GROUP BE'96 |
| 16 - 00851.0.00.02 | GUARNIZIONE OR 110 | GASKET OR 110 |
| 17 - 03460.0.10.04 | TAPPO PER GRUPPO CROMATO 1/8 | SCREW PLUG FOR GROUP CROMED 1/8 |
| 18 - 04408.0.00.02 | GUARNIZIONE SOTTOCOPPA CON SCARICHI LATERALI | FILTERHOLDER GASKET WITH LATERAL OUTLETS |
| 19 - 03182.0.00.02 | GUARNIZIONE OR 3187 | GASKET OR 3187 |
| 20 - 04087.0.00.04 | PORTADOCCIA | SHOWER HOLDER |
| 21 - 00562.0.40.01 | DOCCIA | SHOWER |
| 22 - 01242.0.00.03 | VITE TSP M5 X 14 | SCREW TSP M5 X 14 |
| 23 - 00862.0.00.03 | MOLLA RITEGNO FILTRO 2 TAZZE Ø1,4 | FILTER SPRING 2 CUPS Ø1,4 |
| 02233.0.00.03 | MOLLA RITEGNO FILTRO 1 TAZZA Ø1,2 | FILTER SPRING 1 CUP Ø1,2 |
| 24 - 00028.0.10.04 | PORTAFILTRO | FILTER HOLDER |
| 25 - 08275.0.10.04 | BECCUCCIO A 1 VIA | 1 WAY SPOUT |
| 26 - 00036.4.00.04 | BECCUCCIO A 2 VIE | 2 WAY SPOUT |
| 27 - 06365.0.00.02 | MANOPOLA PORTAFILTRO | HANDGRIP FOR FILTER HOLDER |
| 28 - 01290.0.00.03 | RONDELLA PIANA 8X17 | WASHER 8X17 |
| 29 - 01291.0.00.03 | RONDELLA RDE D. 8,5 | TOOTHED WASHER D.8.5 |
| 30 - 01260.0.00.03 | VITE TCEI M8 x 20 | SCREW TCEI M8 X 20 |
| 31 - 06364.0.00.02 | TAPPO PER MANOPOLA PORTAFILTRO | PLUG FOR FILTER HOLDER HANDGRIP |
| 32 - 06668.6.00.09 | ASSIEME PORTAFILTRO M1,4 | FILTER HOLDER ASSEMBLY M1,4 |
| 12851.6.00.09 | ASSIEME PORTAFILTRO M1,2 | FILTER HOLDER ASSEMBLY M1,2 |
| 33 - 00782.0.00.02 | MISURINO | COFFEE DOSER |
| 34 - 00779.0.00.02 | PRESSINO | COFFEE PRESSER |
| 35 - 01702.0.40.01 | FILTRO A 1 TAZZA GR. 6 | 1 CUP FILTER 6 GR. |
| 00560.0.40.01 | FILTRO A 1 TAZZA GR. 7 | 1 CUP FILTER 7 GR. |
| 36 - 00564.0.40.01 | FILTRO CIECO | BLIND FILTER |
| 37 - 01703.0.40.01 | FILTRO A 2 TAZZE GR. 12 | 2 CUPS FILTER 12 GR. |
| 00561.0.40.01 | FILTRO A 2 TAZZE GR. 14 | 2 CUPS FILTER 14 GR. |

| | | |
|--------------------|-------------------------------------------------------|------------------------------------------------|
| 1 - 09327.6.00.09 | ENSEMBLE GROUPE BE'96 230V. | GRUPPENEINHEIT BE'96 230V |
| 2 - 02106.0.00.04 | BOUCHON GROUPE | GRUPPENDECKEL |
| 3 - 01406.0.00.02 | JOINT POUR BOUCHON | DECKELDICHTUNG |
| 4 - 00086.0.00.04 | FILTRE GICLEUR | DÜSENFILTER |
| 5 - 00046.0.00.04 | GICLEUR | DÜSE |
| 7 - 00180.0.00.04 | RACCORD VIDAGE | VERBINDUNGSSTÜCK FÜR WASSERAUSLAUF |
| 9 - 01947.4.00.08 | SOUPAPE ELECTRIQUE 3 VOIES 220V. | 3-WEG ELEKTROVENTIL 220V |
| 01983.4.00.08 | SOUPAPE ELECTRIQUE 3 VOIES 110V. | 3-WEG ELEKTROVENTIL 110V |
| 16194.4.00.08 | SOUPAPE ELECTRIQUE 3 VOIES 220/50 - 240/60 - "RAISED" | 3-WEG ELEKTROVENTIL 220/50 - 240/60 - "RAISED" |
| 12 - 00814.0.00.02 | JOINT ISOLANT GROUPE | ISOLIERDICHTUNG DER GRUPPE |
| 13 - 01231.0.00.03 | VIS M8 X 25 | SCHRAUBE TE M8 X 25 |
| 14 - 07667.0.00.04 | BOUCHON G 1/4 | ZAPFEN G. 1/4 |
| 15 - 08849.0.10.04 | GROUPE BE'96 | GRUPPENKOPF BE'96 |
| 16 - 00851.0.00.02 | JOINT OR 110 | DICHTUNG OR 110 |
| 17 - 03460.0.10.04 | BOUCHON POUR GROUPE CROMÉ 1/8 | GRUPPENZAPFEN CHROM 1/8 |
| 18 - 04408.0.00.02 | JOINT PORTE-FILTRE AVEC VIDAGES LATERALS | SIEBTRÄGERDICHTUNG MIT SEITLICHEN ABLÄUFEN |
| 19 - 03182.0.00.02 | JOINT OR 3187 | DICHTUNG OR 3187 |
| 20 - 04087.0.00.04 | PORTE DOUCHE | DUSCHTRÄGER |
| 21 - 00562.0.40.01 | DOUCHE | DUSCHE |
| 22 - 01242.0.00.03 | VIS TSP M5 X 14 | SCHRAUBE TSP M5 X 14 |
| 23 - 00862.0.00.03 | RESSORT FILTRE 2 TASSES Ø1,4 | FILTERFEDER 2 TASSEN Ø1,4 |
| 02233.0.00.03 | RESSORT FILTRE 1 TASSE Ø1,2 | FILTERFEDER 1 TASSE Ø1,2 |
| 24 - 00028.0.10.04 | PORTE FILTRE | SIEBTRÄGER |
| 25 - 08275.0.10.04 | BEC 1 VOIE | 1-WEG TÜLLE |
| 26 - 00036.4.00.04 | BEC 2 VOIES | 2-WEG TÜLLE |
| 27 - 06365.0.00.02 | POIGNEE PORTE FILTRE | SIEBTRÄGERHANDGRIFF |
| 28 - 01290.0.00.03 | RONDELLE 8X17 | ABSTANDSRING 8X17 |
| 29 - 01291.0.00.03 | RONDELLE DENTÉ D.8.5 | GEZÄHNTE UNTERLAGSCHEIBE D.8.5 |
| 30 - 01260.0.00.03 | VIS TCEI M8 X 20 | SCHRAUBE TCEI M8 X 20 |
| 31 - 06364.0.00.02 | BOUCHON POUR POIGNEE PORTE FILTRE | VERSCHLUSSKAPPE DES SIEBTRÄGERHANDGRIFFES |
| 32 - 06668.6.00.09 | ENSEMBLE PORTE FILTRE M1,4 | SIEBTRÄGEREINHEIT M1,4 |
| 12851.6.00.09 | ENSEMBLE PORTE FILTRE M1,2 | SIEBTRÄGEREINHEIT M1,2 |
| 33 - 00782.0.00.02 | DOSEUR CAFE | MESSBECHER |
| 34 - 00779.0.00.02 | PRESSE CAFE | KAFFEEPRESSER |
| 35 - 01702.0.40.01 | FILTRE 1 TASSE 6 GR. | FILTER FÜR 1 TASSE - 6 GR. |
| 00560.0.40.01 | FILTRE 1 TASSE 7 GR. | FILTER FÜR 1 TASSE - 7 GR. |
| 36 - 00564.0.40.01 | FILTRE AVEUGLE | BLINDFILTER |
| 37 - 01703.0.40.01 | FILTRE 2 TASSES 12 GR. | FILTER FÜR 2 TASSEN - 12 GR. |
| 00561.0.40.01 | FILTRE 2 TASSES 14 GR. | FILTER FÜR 2 TASSEN - 14 GR. |

RUBINETTO CON OTTURATORE IN CERAMICA
STEAM-WATER TAP WITH CERAMIC SPEAR VALVE
ROBINET AVEC OTTURATEUR EN CERAMIQUE
HAHN MIT KERAMIKVERSCHLUSS

vsezip.ru

+7(812)987-08-81



RUBINETTO CON OTTURATORE IN CERAMICA
STEAM-WATER TAP WITH CERAMIC SPHER VALVE
ROBINET AVEC OTTURATEUR EN CERAMIQUE
HAHN MIT KERAMIKVERSCHLUSS

16

vsezip.ru

| | | |
|--------------------|-------------------------------|-------------------------------------|
| 1 - 05733.4.00.09 | ASSIEME RUBINETTO IN CERAMICA | CERAMIC TAP ASSEMBLY |
| 2 - 00107.0.00.04 | VITE PER SNODO | ARTICULATED SCREW |
| 3 - 01286.0.00.03 | RONDELLA ELASTICA | ELASTIC WASHER |
| 4 - 00810.0.00.02 | GUARNIZIONE CONICA | CONICAL GASKET |
| 5 - 05382.0.00.04 | CORPO RUBINETTO | TAP BODY |
| 6 - 05805.0.00.02 | GUARNIZIONE DI BASE | BASE GASKET |
| 7 - 05808.0.00.02 | PORTA PIASTRINA INFERIORE | LOWER PLATE HOLDER |
| 8 - 05806.0.00.02 | OR 1,25X13,3 VITON | GASKET OR \varnothing 13,3 X 1,25 |
| 9 - 05811.0.00.02 | PIASTRINA INFERIORE CERAMICA | LOWER PLATE |
| 10 - 05810.0.00.02 | PIASTRINA SUPERIORE CERAMICA | UPPER PLATE |
| 11 - 05807.0.00.02 | PORTA PIASTRINA SUPERIORE | UPPER PLATE HOLDER |
| 12 - 05384.0.00.04 | ASTINA | ROD |
| 13 - 05522.0.00.03 | SPINA \varnothing 2X16 | PIN \varnothing 2 X 16 |
| 14 - 05809.0.00.02 | ANELLO ANTIFRIZIONE | ANTI-FRICTION RING |
| 15 - 00833.0.00.02 | OR 105 EP851 | GASKET OR 105 |
| 16 - 05825.0.00.02 | OR R-19 BIS EP851 | GASKET OR R19 BIS |
| 17 - 05383.0.00.04 | RACCORDO SUPERIORE | UPPER CONNECTOR |
| 18 - 00131.0.12.04 | GHIERA PER MANOPOLA | RING FOR HANDGRIP-BAR- |
| 19 - 05815.0.00.02 | MANOPOLA PER RUBINETTO | TAP HANDGRIP |
| 20 - 06378.6.00.09 | ASSIEME RUBINETTO ACQUA | WATER TAP ASSEMBLY |
| 21 - 02533.2.10.04 | TUBO ACQUA | WATER PIPE |
| 22 - 01405.0.00.02 | GUARNIZIONE TEFLON | TEFLON GASKET |
| 23 - 04661.0.10.04 | RACCORDO PER BECCUCCIO | NOZZLE CONNECTOR |
| 24 - 05004.4.00.09 | ASSIEME ROMPIGETTO | NOZZLEFILTER ASSEMBLY |
| 25 - 05823.0.00.02 | GUARNIZIONE PER ROMPIGETTO | GASKET FOR NOZZLE FILTER |
| 26 - 12061.4.00.09 | ASSIEME LANCIA ACQUA | WATER PIPE ASSEMBLY |
| 27 - 06379.6.00.09 | ASSIEME RUBINETTO VAPORE | STEAM TAP ASSEMBLY |
| 28 - 02534.2.10.04 | TUBO VAPORE | STEAM PIPE |
| 29 - 00039.0.10.04 | BECCUCCIO VAPORE | STEAM NOZZLE |
| 30 - 12062.4.00.09 | ASSIEME LANCIA VAPORE | STEAM PIPE ASSEMBLY |

| | | |
|--------------------|----------------------------------------|--------------------------------------|
| 1 - 05733.4.00.09 | ENSEMBLE ROBINET EN CERAMIQUE | HAHN |
| 2 - 00107.0.00.04 | VIS ARTICULEE | GELENKSCHRAUBE |
| 3 - 01286.0.00.03 | RONDELLE ELASTIQUE | ELSTISCHE BEILAGSCHEIBE |
| 4 - 00810.0.00.02 | GARNITURE CONIQUE | KONISCHE DICHUNG |
| 5 - 05382.0.00.04 | CORPS ROBINET | HAHNKOERPER |
| 6 - 05805.0.00.02 | GARNITURE DE BASE | BASISDICHUNG |
| 7 - 05808.0.00.02 | PORTE PLAQUE INFERIEURE | UNTERER SCHEIBENTRAEGER |
| 8 - 05806.0.00.02 | GARNITURE OR \varnothing 13,3 x 1,25 | DICHUNG OR \varnothing 13,3 X 1,25 |
| 9 - 05811.0.00.02 | PLAQUE INFERIEURE | UNTERE SCHEIBE |
| 10 - 05810.0.00.02 | PLAQUE SUPERIEURE | OBERE SCHEIBE |
| 11 - 05807.0.00.02 | PORTE PLAQUE SUPERIEURE | OBENER SCHEIBENTRAEGER |
| 12 - 05384.0.00.04 | TIGE | STANGE |
| 13 - 05522.0.00.03 | PRISE \varnothing 2 x 16 | STIFT \varnothing 2 X 16 |
| 14 - 05809.0.00.02 | BAGUE ANTIFRICTION | REIBUNGSSCHUTZRING |
| 15 - 00833.0.00.02 | GARNITURE OR 105 | DICHUNG OR 105 |
| 16 - 05825.0.00.02 | GARNITURE OR R19 BIS | DICHUNG OR R19 BIS |
| 17 - 05383.0.00.04 | RACCORD SUPERIEUR | OBENER ANSCHLUSS |
| 18 - 00131.0.12.04 | GHIERE POUR POIGNEE BAR | RING FUER HAHNHANDGRIFF-BAR |
| 19 - 05815.0.00.02 | POIGNEE POUR ROBINET | HAHNHANDGRIFF |
| 20 - 06378.6.00.09 | ENSEMBLE ROBINET EAU | WASSERHAHNEINHEIT |
| 21 - 02533.2.10.04 | TUYAU EAU | WASSERROHR |
| 22 - 01405.0.00.02 | GARNITURE EN TEFLON | TEFLONDICHUNG |
| 23 - 04661.0.10.04 | RACCORD POUR BEC | ANSCHLUSSTUECK FÜR TÜLLE |
| 24 - 05004.4.00.09 | ENSEMBLE BRISE GET | EINHEIT STRAHLENBRECHER |
| 25 - 05823.0.00.02 | GARNITURE POUR BRISE GET | DICHUNG FUER STRAHLENBRECHER |
| 26 - 12061.4.00.09 | ENSEMBLE TUYAU EAU | WASSERROHREINHEIT |
| 27 - 06379.6.00.09 | ENSEMBLE ROBINET VAPEUR | DAMPFHÄHNHEIT |
| 28 - 02534.2.10.04 | TUYAU VAPEUR | DAMPFRÖHR |
| 29 - 00039.0.10.04 | BECCUCCIO VAPEUR | DAMPFTÜLLE |
| 30 - 12062.4.00.09 | ENSEMBLE TUYAU VAPEUR | DAMPFRÖHREINHEIT |

RUBINETTO 105SL

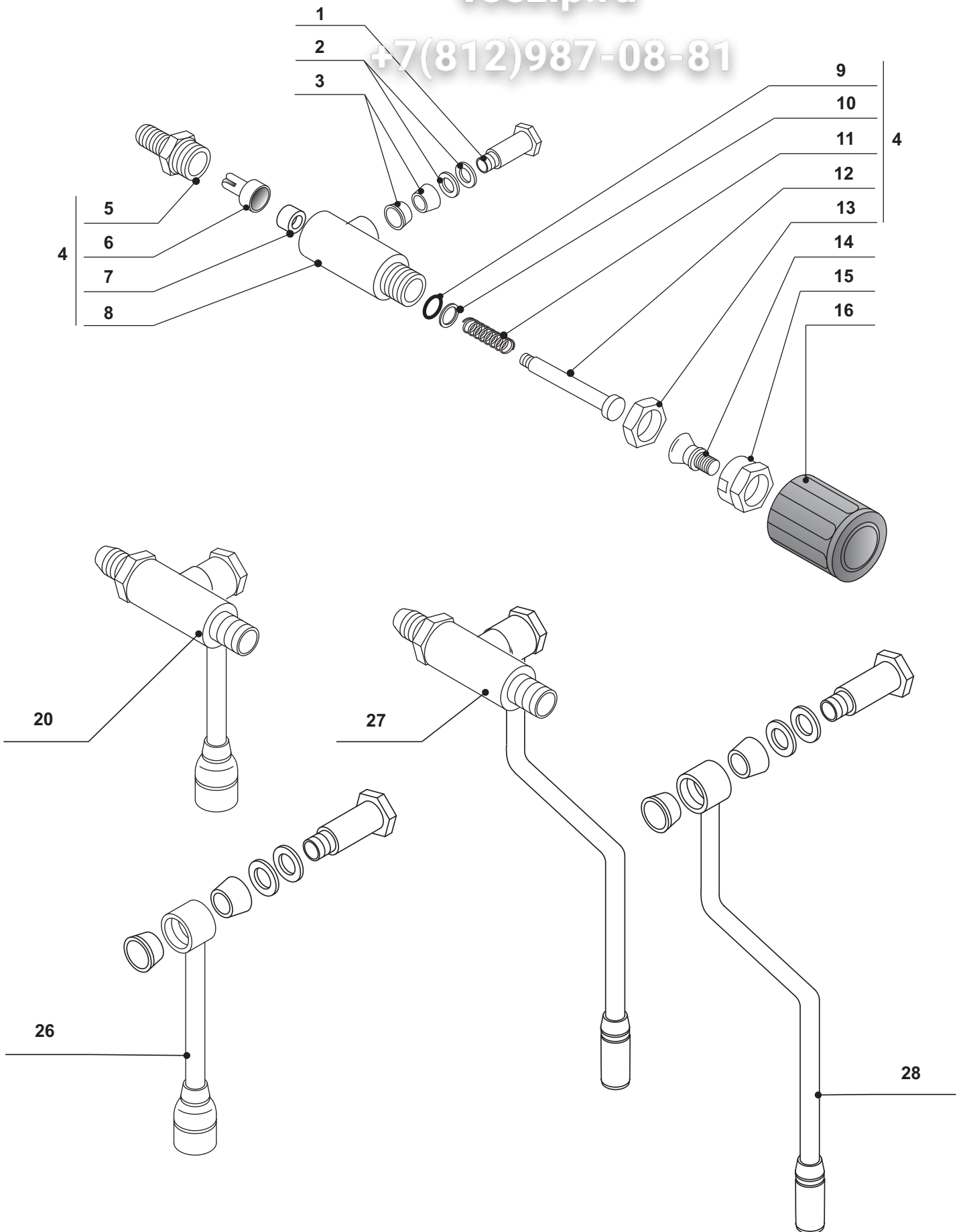
FAUCETS 105SL

ROBINEI 105SL

HAEHNE 105SL

vsezip.ru

+7(812)987-08-81



RUBINETTO 105SL
FAUCETS 105SL
ROBINET 105SL
HAEHNE 105SL

vsezip.ru

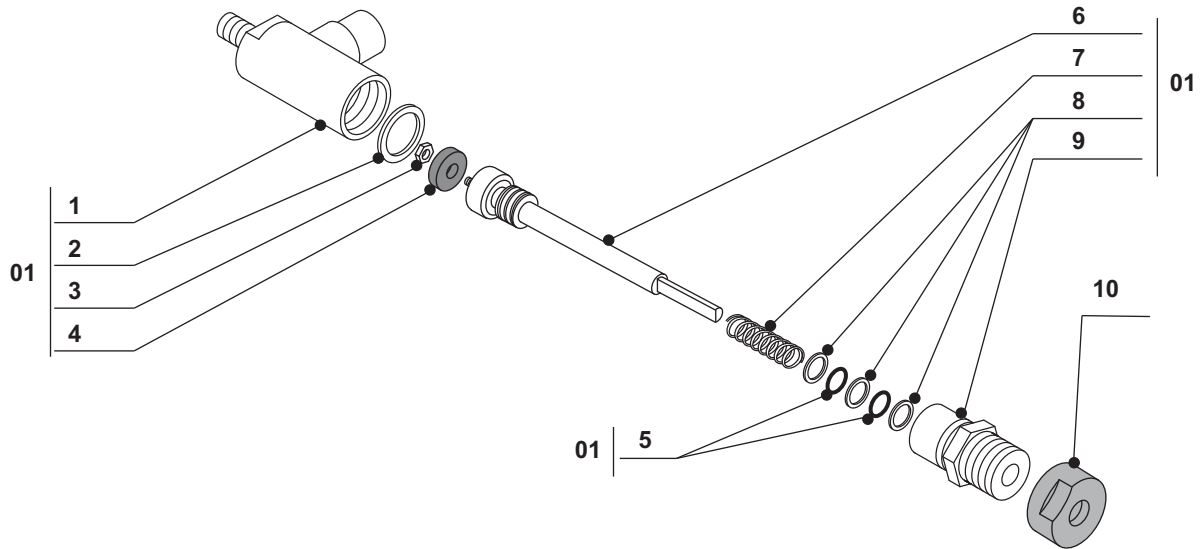
| | | |
|--------------------|----------------------------|--------------------------|
| 1 - 00107.4.00.04 | VITE PER SNODO | ARTICULATION SCREW |
| 2 - 01286.0.00.03 | RONDELLA ELASTICA | TEFLON WASHER |
| 3 - 00810.0.00.02 | GUARNIZIONE CONICA | CONICAL GASKET |
| 4 - 01153.4.00.09 | ASS.RUBINETTO | TAP ASSEMBLY |
| 5 - 00231.0.00.04 | RACCORDO ENTRATA RUBINETTO | INLET CONNECTION FOR TAP |
| 6 - 00153.0.00.04 | RACCORDO TENUTA RUBINETTO | FAUCET SEAL CONNECTOR |
| 7 - 00818.0.00.02 | GUARNIZIONE 4X11X4 | GASKET 4X11X4 |
| 8 - 00025.0.00.04 | CORPO RUBINETTO | TAP BODY |
| 9 - 00831.0.00.02 | OR 2018 EP851 | OR 2018 EP851 |
| 10 - 00166.0.00.02 | RONDELLA PER RUBINETTO | TAP WASHER |
| 11 - 00871.0.00.03 | MOLLA RACCORDO SUPERIORE | UPPER CONNECTOR SPRING |
| 12 - 00155.0.00.04 | ASTINA RUBINETTO | ROD FOR FAUCET |
| 13 - 00067.0.00.04 | DADO G. 3/8 | NUT G. 3/8 |
| 14 - 02088.0.00.04 | PERNO APERTURA | FAUCET OPENING GUDGEON |
| 15 - 00145.0.00.04 | DADO G. 3/8 | NUT G. 3/8 |
| 16 - 06366.0.00.02 | MANOPOLA | HANDGRIP |
| 20 - 02852.6.00.09 | ASSIEME RUBINETTO ACQUA | ACQUA TAP ASSEMBLY |
| 26 - 12061.4.00.09 | ASSIEME LANCIA ACQUA | WATER PIPE ASSEMBLY |
| 27 - 02853.6.00.09 | ASSIEME RUBINETTO VAPORE | STEAM TAP ASSEMBLY |
| 28 - 04676.2.10.04 | LANCIA VAPORE | STEAM PIPE |

| | | |
|--------------------|-------------------------------------|-----------------------------|
| 1 - 00107.4.00.04 | VIS ARTICULEE | GELENKSCHRAUBE |
| 2 - 01286.0.00.03 | RONDELLE ELASTIQUE | ELASTISCHE BEILAGSCHEIBE |
| 3 - 00810.0.00.02 | GARNITURE CONIQUE | KONISCHE DICHTUNG |
| 4 - 01153.4.00.09 | ENSEMBLE ROBINET | HAHNEINHEIT |
| 5 - 00231.0.00.04 | RACCORDO ENTREE ROBINET | EINGANGSVERBINDUNG FÜR HAHN |
| 6 - 00153.0.00.04 | SOUPAPE D'ETANCHEITE ROBINET VAPEUR | DAMPFHANDICHTVENTIL |
| 7 - 00818.0.00.02 | JOINT 4X11X4 | DICHTUNG 4X11X4 |
| 8 - 00025.0.00.04 | CORPS ROBINET | HAHNKÖRPER |
| 9 - 00831.0.00.02 | OR 2018 EP851 | OR 2018 EP851 |
| 10 - 00166.0.00.02 | RONDELLE POUR ROBINET | HAHNSCHEIBE |
| 11 - 00871.0.00.03 | RESSORT RACCORD SUPERIEUR | FEDER FÜR HAHNOBERANSCHLUSS |
| 12 - 00155.0.00.04 | TIGE OUVERTURE | HAHNSÖFFNUNGSTANGE |
| 13 - 00067.0.00.04 | ECROU G. 3/8 | MUTTER G. 3/8 |
| 14 - 02088.0.00.04 | PIVOT OUVERTURE | HAHNSÖFFNUNGSTIFT |
| 15 - 00145.0.00.04 | ECROU G. 3/8 | MUTTER G. 3/8 |
| 16 - 06366.0.00.02 | POIGNÉE | HANDGRIFF |
| 20 - 02852.6.00.09 | SPHERE MM.8 | BEREICH MM.8 |
| 26 - 12061.4.00.09 | ENSEMBLE TUYAU EAU | WASSERROHREINHEIT |
| 27 - 02853.6.00.09 | ENSEMBLE ROBINET VAPEUR | DAMPFHANNEINHEIT |
| 28 - 04676.2.10.04 | TUYAU VAPEUR | DAMPFROHR |

RUBINETTO GOMMA 2000
RUBBER VALVE FAUCETS 2000
ROBINETS GOMME 2000
HAHN MIT GUMMIVERSCHLUSS 2000
OPTIONAL

vsezip.ru

+7(812)987-08-81



| | |
|----|---------------|
| 01 | 11927.4.00.09 |
|----|---------------|

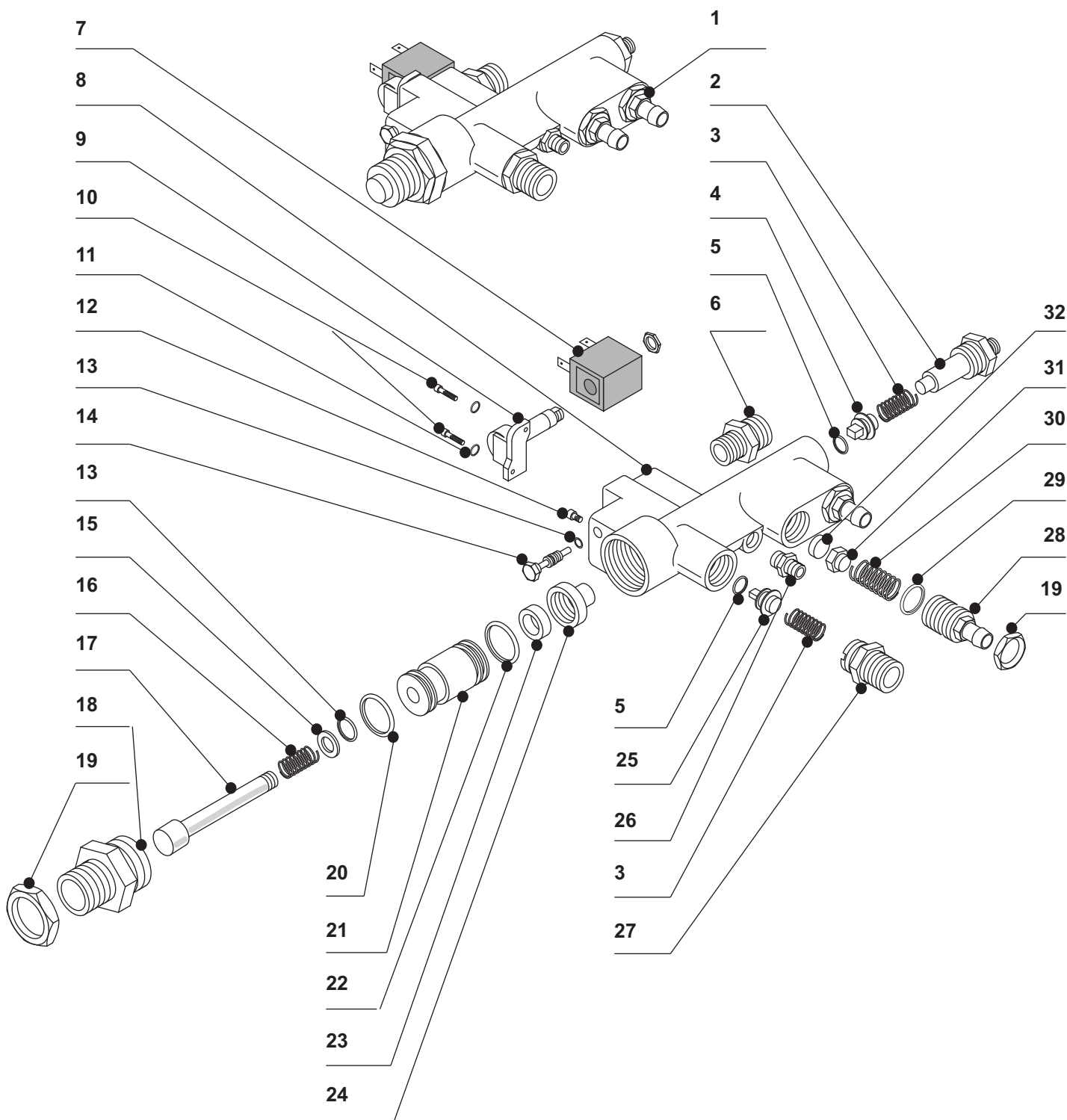
RUBINETTO GOMMA 2000
RUBBER VALVE FAUCETS 2000
ROBINETS GOMME 2000
HAHN MIT GUMMIVERSCHLUSS 2000
OPTIONAL
vsezip.ru

20

+7(812)987-08-81

| | | |
|---------------------------|---------------------------------------|------------------------------------|
| 01 - 11927.4.00.09 | ASSIEME RUBINETTO TENUTA GOMMA | RUBBER SPEAR VALVE TAP UNIT |
| 1 - 12010.0.00.04 | CORPO RUBINETTO | TAP BODY |
| 2 - 12152.0.00.03 | GUARNIZIONE 20X24X1 | JOINT 20X24X1 |
| 3 - 01263.0.00.03 | DADO M3 OTTONE | NUT M3 |
| 4 - 12005.0.00.02 | GUARNIZIONE 4X13X4 | JOINT 4X13X4 |
| 5 - 06349.0.00.02 | OR R6 EP851 | O-RING R6 EP851 |
| 6 - 12046.4.00.09 | ASTINA | STUD |
| 7 - 10962.0.00.03 | MOLLA TIPO C1 | C1 TYPE SPRING |
| 8 - 12153.0.00.03 | RONDELLA 8,2X10,7X2 | FLAT WASHER 8,2X10,7X2 |
| 9 - 12013.0.00.04 | RACCORDO ANTERIORE RUBINETTO | FAUCET FRONT CONNECTOR |
| 10 - 00131.0.12.04 | GHIERA PER MANOPOLA | RING NUT FOR HANDGRIP |

| | | |
|---------------------------|----------------------------------|----------------------------------------|
| 01 - 11927.4.00.09 | ENSEMBLE ROBINET EN GOMME | HAHNEINHEIT MIT GUMMIVERSCHLUSS |
| 1 - 12010.0.00.04 | CORPS ROBINET | HAHNSKOERPER |
| 2 - 12152.0.00.03 | JOINT 20X24X1 | DICHTUNG 20X24X1 |
| 3 - 01263.0.00.03 | ECROU M3 | MUTTER M3 |
| 4 - 12005.0.00.02 | JOINT 4X13X4 | DICHTUNG 4X13X4 |
| 5 - 06349.0.00.02 | OR R6 EP851 | OR R6 EP851 |
| 6 - 12046.4.00.09 | TIGE | STANGE |
| 7 - 10962.0.00.03 | RESSORT C1 | FEDER C1 |
| 8 - 12153.0.00.03 | RONDELLE 8,2X10,7X2 | UNTERLAGSCHEIBE 8,2X10,7X2 |
| 9 - 12013.0.00.04 | RACCORD ANTERIEUR ROBINET | HAHNSVORDERANSCHLUSS |
| 10 - 00131.0.12.04 | GHIERE POUR POIGNÉE | RING FÜR HAHNSHANDGRIFF |



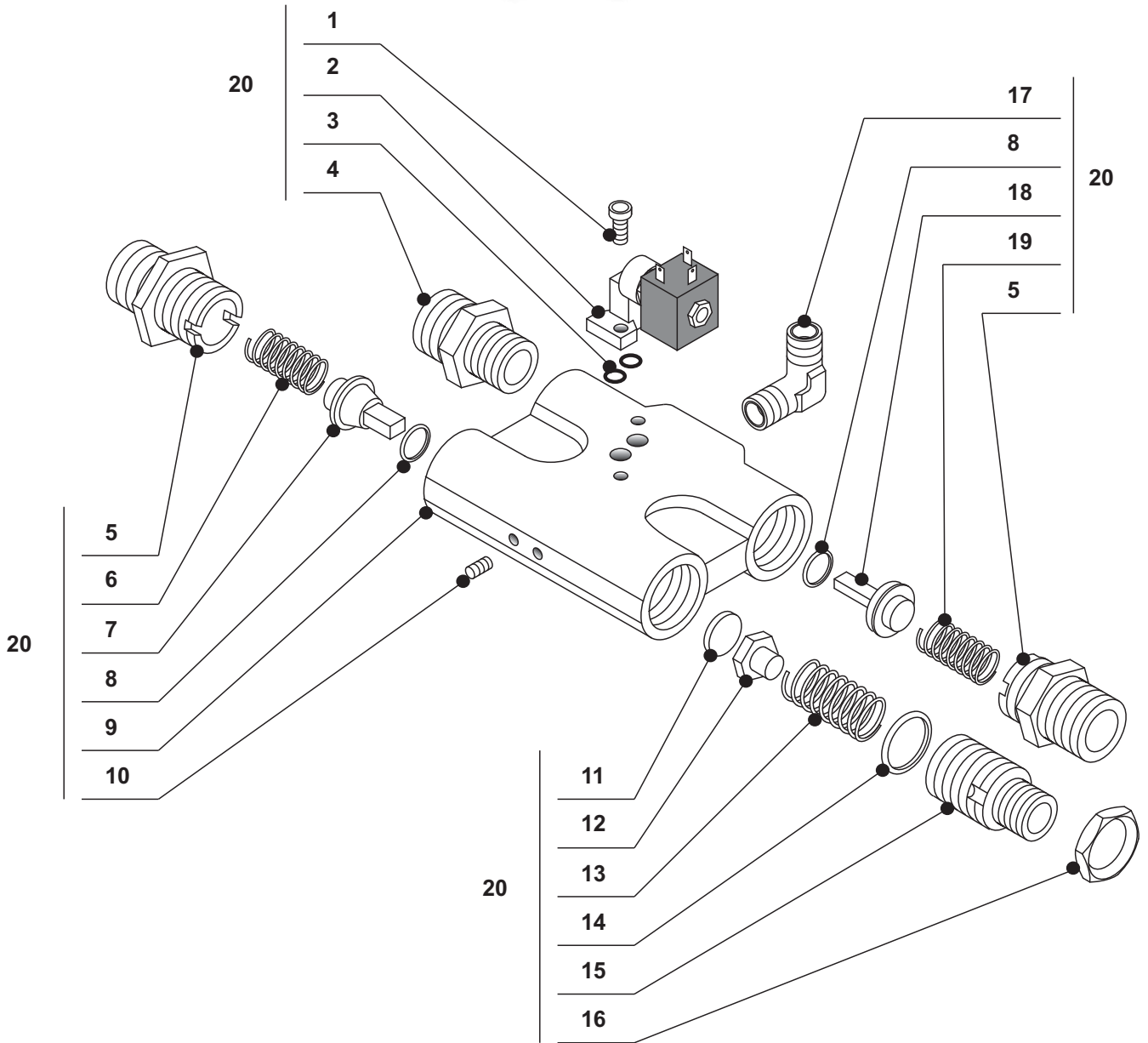
MASSELLO VALVOLE
VALVES UNIT
ГРУППА СОУПАПЕС
VERSORGUNGSVENTILGRUPPE

| | | |
|---------------------------|---------------------------------------|---------------------------------------------|
| 1 - 02953.5.00.09 | ASSIEME MASSELLO SENZA AUTOLIVELLO | VALVES GROUP ASSEMBLY WITHOUT WATER LEVEL |
| 02954.6.00.09 | ASSIEME MASSELLO CON AUTOLIVELLO 230V | VALVES GROUP ASSEMBLY WITH WATER LEVEL 230V |
| 02955.6.00.09 | ASSIEME MASSELLO CON AUTOLIVELLO 115V | VALVES GROUP ASSEMBLY WITH WATER LEVEL 115V |
| 2 - 03458.0.00.04 | RACCORDO G1/8-3/8 PER MASSELLO | STRAIGHT CONNECTOR G1/8-3/8 |
| 3 - 00870.0.00.03 | MOLLA VALVOLA RITEGNO MASSELLO | NON RETURN VALVE SPRING |
| 4 - 05595.0.00.04 | CORPO VALVOLA RITEGNO TIPO LUNGO | NON RETURN VALVE BODY |
| 5 - 00836.0.00.02 | OR 108 EP851 | GASKET OR 108 EP851 |
| 6 - 00069.0.00.04 | RACCORDO DIRITTO G.1/4-3/8 | STRAIGHT CONNECTOR G.1/4-3/8 |
| 7 - 09436.4.00.08 | ELETTROVALVOLA 2 VIE V.115 | 2 WAYS SOLENOID VALVE V.115 |
| 09435.4.00.08 | ELETTROVALVOLA 2 VIE V.230 | 2 WAYS SOLENOID VALVE V.230 |
| 8 - 03473.0.00.04 | CORPO MASSELLO | VALVES GROUP BODY |
| 9 - 00060.0.00.04 | TAPPO BASETTA MASSELLO | PLUG FOR VALVES GROUP BASE |
| 10 - 03779.0.00.03 | VITE TCEI M3X10 | SCREW TCEI M3X10 |
| 11 - 00833.0.00.02 | OR 105 EP851 | GASKET OR 105 EP851 |
| 12 - 02688.0.00.03 | VITE TCEI M4X10 | SCREW TCEI M4X10 |
| 13 - 01428.0.00.02 | OR R3 EP851 | GASKET OR R3 EP851 |
| 14 - 02000.0.00.04 | VITE PER RUBINETTO | TAP SCREW |
| 15 - 00166.0.00.04 | RONDELLA RUBINETTO CARICO | CHARGE TAP WASHER |
| 16 - 02218.0.00.04 | MOLLA PER ASTINA RUBINETTO CARICO | SPRING FOR CHARGE TAP ROD |
| 17 - 00121.0.00.04 | ASTINA RUBINETTO CARICO | CHARGE TAP ROD |
| 18 - 00104.0.00.04 | RACCORDO SUP.RUBINETTO CARICO | CHARGE TAP UPPER CONNECTOR |
| 19 - 00067.0.00.04 | DADO 3/8 PER VALVOLA ESPANSIONE | EXPANSION VALVE NUT 3/8 |
| 20 - 01389.0.00.02 | OR 2056 EP851 | GASKET OR 2056 EP851 |
| 21 - 02107.0.00.04 | BUSSOLA RUBINETTO CARICO | CHARGE TAP BUSHING |
| 22 - 01390.0.00.02 | OR 2062 | GASKET OR 2062 |
| 23 - 00818.0.00.02 | GUARNIZIONE 4 X 11 X 4 | GASKET 4 X 11 X 4 |
| 24 - 00153.0.00.04 | RACCORDO TENUTA | SEAL CONNECTOR |
| 25 - 00078.0.00.04 | CORPO VALVOLA RITEGNO | NON RETURN VALVE BODY |
| 26 - 00236.0.00.04 | RACCORDO DIRITTO G.1/8-1/8 M | STRAIGHT CONNECTOR G.1/8-1/8 M |
| 27 - 00125.0.00.04 | RACCORDO DIRITTO G.3/-3/8 | STRAIGHT CONNECTOR G.3/-3/8 |
| 28 - 04270.0.00.04 | RACCORDO VALVOLA ESPANSIONE | EXPANSION VALVE CONNECTOR |
| 29 - 00839.0.00.02 | OR 116 | O-RING 116 |
| 30 - 00884.0.00.03 | MOLLA VALVOLA ESPANSIONE | EXPANSION VALVE SPRING |
| 31 - 02006.0.00.04 | PORTA GUARNIZIONE | GASKET HOLDER |
| 32 - 01365.0.00.02 | GUARNIZIONE 11X4 | GASKET 11X4 |

| | | |
|---------------------------|-----------------------------------|-------------------------------------------|
| 1 - 02953.5.00.09 | ГРУППА СОУПАПЕС САНС РЕМПЛІСАЖЕ | VERSORGUNGSVENTILSGRUPPE OHNE |
| 02954.6.00.09 | ГРУППА СОУПАПЕС АВЕС | AUTOM.WASSERFÜLLUNG |
| 02955.6.00.09 | REMPLISSAGE 230V | VERSORGUNGSVENTILSGRUPPE |
| | ГРУППА СОУПАПЕС АВЕС | MIT AUTOM.WASSERFÜLLUNG 230V |
| | REMPLISSAGE 115V | VERSORGUNGSVENTILSGRUPPE |
| 2 - 03458.0.00.04 | RACCORD G1/8-3/8 | MIT AUTOM.WASSERFÜLLUNG 115V |
| 3 - 00870.0.00.03 | RESSORT SOUPAPE RETENUE | VERBINDUNG G1/8-3/8 |
| 4 - 05595.0.00.04 | CORPS SOUPAPE RETENUE | RÜCKSCHLAGVENTILSFEDER |
| 5 - 00836.0.00.02 | JOINT OR 108 EP851 | RÜCKSCHLAGVENTILSKÖRPER |
| 6 - 00069.0.00.04 | RACCORD DROIT G.1/4-3/8 | DICHTUNG OR 108 EP851 |
| 7 - 09436.4.00.08 | ELECTROSOUPAPE 2 VOIES V.115 | RECHTE VERBINDUNG G.1/4-3/8 |
| 09435.4.00.08 | ELECTROSOUPAPE 2 VOIES V.230 | 2 WEG ELEKTROVENTIL V.115 |
| 8 - 03473.0.00.04 | CORPS GROUPE SOUPAPES | 2 WEG ELEKTROVENTIL V.230 |
| 9 - 00060.0.00.04 | BOUCHON POUR BASE GROUPE SOUPAPES | VERSORGUNGSVENTILSGRUPPENKÖRPER |
| 10 - 03779.0.00.03 | VIS TCEI M3X10 | ZAPFEN DES VERSORGUNGSVENTILSGRUPPENBASIS |
| 11 - 00833.0.00.02 | JOINT OR 105 EP851 | SCHRAUBE TCEI M3X10 |
| 12 - 02688.0.00.03 | VIS TCEI M4X10 | DICHTUNG OR 105 EP851 |
| 13 - 01428.0.00.02 | JOINT OR R3 EP851 | SCRAUBE TCEI M4X10 |
| 14 - 02000.0.00.04 | VIS POUR ROBINET | DICHTUNG OR R3 EP851 |
| 15 - 00166.0.00.04 | RONDELLE ROBINET CHARGE | SCHRAUBE FÜR HANHFÜLLUNG |
| 16 - 02218.0.00.04 | RESSORT ROBINET CHARGE | HANHFÜLLUNGSUNTERLAGSSTANGE |
| 17 - 00121.0.00.04 | TIGE ROBINET CHARGE | FEDER FÜR HANHFÜLLUNGSSTANGE |
| 18 - 00104.0.00.04 | RACCORD SUPERIEUR ROBINET CHARGE | HANHFÜLLUNGSSTANGE |
| 19 - 00067.0.00.04 | ECROU 3/8 POUR SOUPAPE EXPANSION | OBERE VERBINDUNG FÜR HANHFÜLLUNG |
| 20 - 01389.0.00.02 | JOINT OR 2056 EP851 | MUTTER 3/8 FÜR EXPANSIONSVENTIL |
| 21 - 02107.0.00.04 | DOUILLE ROBINET CHARGE | DICHTUNG OR 2056 EP851 |
| 22 - 01390.0.00.02 | JOINT OR 2062 | HANHFÜLLUNGSBUCHSE |
| 23 - 00818.0.00.02 | JOINT 4 X 11 X 4 | DICHTUNG OR 2062 |
| 24 - 00153.0.00.04 | RACCORD POUR ROBINET DE CHARGE | DICHTUNG 4 X 11 X 4 |
| 25 - 00078.0.00.04 | CORPS SOUPAPE RETENUE | HANHFÜLLUNGSANSCHLUSS |
| 26 - 00236.0.00.04 | RACCORD DROIT G.1/8-1/8 M | RÜCKSCHLAGVENTILSKÖRPER |
| 27 - 00125.0.00.04 | RACCORD DROIT G.3/-3/8 | RECHTE VERBINDUNG G.1/8-1/8 Z |
| 28 - 04270.0.00.04 | RACCORD SOUPAPE EXPANSION | RECHTE VERBINDUNG G.3/-3/8 |
| 29 - 00839.0.00.02 | JOINT OR 116 | EXPANSIONSVENTILSVERBINDUNG |
| 30 - 00884.0.00.03 | RESSORT SOUPAPE EXPANSION | DICHTUNG OR 116 |
| 31 - 02006.0.00.04 | PORTE-GARNITURE | EXPANSIONSVENTILSFEDER |
| 32 - 01365.0.00.02 | GARNITURE 11X4 | DICHTUNG HALTER |
| | | DICHTUNG 11X4 |

vsezip.ru

+7(812)987-08-81



MASSELLO VALVOLE 105SL
VALVES UNIT 105SL
ГРУППА ВЕНТИЛЕЙ 105SL
VERSORGUNGSVENTILGRUPPE 105SL

24

vsezip.ru

| | | |
|--------------------|-------------------------------------------|------------------------------------------|
| 1 - 03779.0.00.03 | VITE TCEI M3 X 10 | SCREW TCEI M3 X 10 |
| 2 - 09436.4.00.08 | ELETTROVALVOLA A 2 VIE 230 V. | 2 WAYS SOLENOID VALVE 230 V. |
| 09435.4.00.08 | ELETTROVALVOLA A 2 VIE 115 V. | 2 WAYS SOLENOID VALVE 115 V. |
| 3 - 00833.0.00.02 | GUARNIZIONE OR 105 | GASKET OR 105 |
| 4 - 00069.0.00.04 | RACCORDO DIRITTO G 1/4 - 3/8 MASCHIO | STRAIGHT CONNECTOR G 1/4 - 3/8 TAP |
| 5 - 00070.0.00.04 | RACCORDO DIRITTO G 1/8 - 3/8 MASCHIO | STRAIGHT CONNECTOR G 1/8 - 3/8 TAP |
| 6 - 05538.0.00.03 | MOLLA VALVOLA RITEGNO TIPO CORTO | SPRING FOR NONRETURN VALVE (SHORT TYPE) |
| 7 - 00078.0.00.04 | CORPO VALVOLA RITEGNO TIPO CORTO | NONRETURN VALVE BODY (SHORT TYPE) |
| 8 - 00847.0.00.02 | GUARNIZIONE OR 6A | GASKET OR 6A |
| 9 - 06228.0.00.04 | CORPO MASSELLO | BLOCKVALVE BODY |
| 10 - 03822.0.00.03 | VITE M 4 X 4 | SCREW M 4 X 4 |
| 11 - 01365.0.00.02 | GUARNIZIONE D. 11 X 3 | GASKET D. 11 X 3 |
| 12 - 02006.0.00.04 | PORTA GUARNIZIONE X VALVOLA ESPANSIONE | GASKET HOLDER FOR EXPANSION VALVE |
| 13 - 00884.0.00.03 | MOLLA X VALVOLA RITEGNO | SPRING FOR NONRETURN VALVE |
| 14 - 00840.0.00.02 | GUARNIZIONE OR 119 | GASKET OR 119 |
| 15 - 04270.0.00.04 | RACCORDO REGOLAZIONE VALVOLA ESPANSIONE | REGULATING CONNECTOR FOR EXPANSION VALVE |
| 16 - 00067.0.00.03 | DADO DI BLOCCAGGIO PER VALVOLA ESPANSIONE | STOP NUT FOR EXPANSION VALVE |
| 17 - 00217.0.00.04 | RACCORDO A GOMITO G 1/8 - 1/8 | ELBOW CONNECTOR G 1/8 - 1/8 |
| 18 - 05595.0.00.04 | CORPO VALVOLA RITEGNO TIPO LUNGO | NONRETURN VALVE BODY (LONG TYPE) |
| 19 - 00870.0.00.03 | MOLLA VALVOLA RITEGNO TIPO LUNGO | SPRING FOR NONRETURN VALVE (LONG TYPE) |
| 20 - 06267.6.00.09 | ASSIEME MASSELLO 230V. | VALVES UNIT 230V. |
| 06268.6.00.09 | ASSIEME MASSELLO 115V. | VALVES UNIT 115V. |

| | | |
|--------------------|--------------------------------------------|-------------------------------------------|
| 1 - 03779.0.00.03 | VIS TCEI M3 X 10 | SCHRAUBE TCEI M3 X 10 |
| 2 - 09436.4.00.08 | ELECTROSOUPE A 2 VOIES 230 V. | 2-WEG ELEKTROVENTIL 230 V. |
| 09435.4.00.08 | ELECTROSOUPE A 2 VOIES 115 V. | 2-WEG ELEKTROVENTIL 115 V. |
| 3 - 00833.0.00.02 | JOINT OR 105 | DICHTUNG OR 105 |
| 4 - 00069.0.00.04 | RACCORD DROIT G 1/4 - 3/8 | GERADER ANSCHLUSS G 1/4 - 3/8 ZAPFEN |
| 5 - 00070.0.00.04 | RACCORD DROIT G 1/8 - 3/8 | GERADER ANSCHLUSS G 1/8 - 3/8 ZAPFEN |
| 6 - 05538.0.00.03 | RESSORT POUR SOUPE DE RETENUE (TYPE COURT) | FEDER FUER RUECKSCHLAGVENTIL (KURZ) |
| 7 - 00078.0.00.04 | CORPS SOUPE DE RETENUE (TYPE COURT) | RUECKSCHLAGVENTILKOERPER (KURZ) |
| 8 - 00847.0.00.02 | JOINT OR 6A | DICHTUNG OR 6A |
| 9 - 06228.0.00.04 | CORPS GROUPE SOUPE | VERSORGUNGSVENTILGRUPPENKOERPER |
| 10 - 03822.0.00.03 | VIS M 4X4 | SCHRAUBE M 4 X 4 |
| 11 - 01365.0.00.02 | JOINT D. 11 X 3 | DICHTUNG D. 11 X 3 |
| 12 - 02006.0.00.04 | PORTE JOINT POUR SOUPE A EXPANSION | DICHTUNGSTRAEGER FUER EXPANSIONSVENTIL |
| 13 - 00884.0.00.03 | RESSORT POUR SOUPE DE RETENUE | FEDER FUER RUECKSCHLAGVENTIL |
| 14 - 00840.0.00.02 | JOINT OR 119 | DICHTUNG OR 119 |
| 15 - 04270.0.00.02 | RACCORD REGLAGE SOUPE A EXPANSION | REGELANSCHLUSS FUER EXPANSIONSVENTIL |
| 16 - 00067.0.00.03 | ECROU POUR SOUPE A EXPANSION | GEGENMUTTER FUER EXPANSIONSVENTIL |
| 17 - 00217.0.00.04 | RACCORD A COUDE G 1/8 - 1/8 | WINKELSTUECK G 1/8 - 1/8 |
| 18 - 05595.0.00.04 | CORPS SOUPE DE RETENUE (TYPE LONG) | KOERPER RUECKSCHLAGVENTIL (LANGER TYP) |
| 19 - 00870.0.00.03 | RESSORT POUR SOUPE DE RETENUE (TYPE LONG) | FEDER FUER RUECKSCHLAGVENTIL (LANGER TYP) |
| 20 - 06267.6.00.09 | GROUPE SOUPAPES 230V. | SATZ VERSORGUNGSVENTILGRUPPE 230V. |
| 06268.6.00.09 | GROUPE SOUPAPES 115V. | SATZ VERSORGUNGSVENTILGRUPPE 115V. |

ASSIEME GAS
GAS ASSEMBLY
ENSEMBLE INSTALLATION A GAS
GASVORRICHTUNG
vsezip.ru

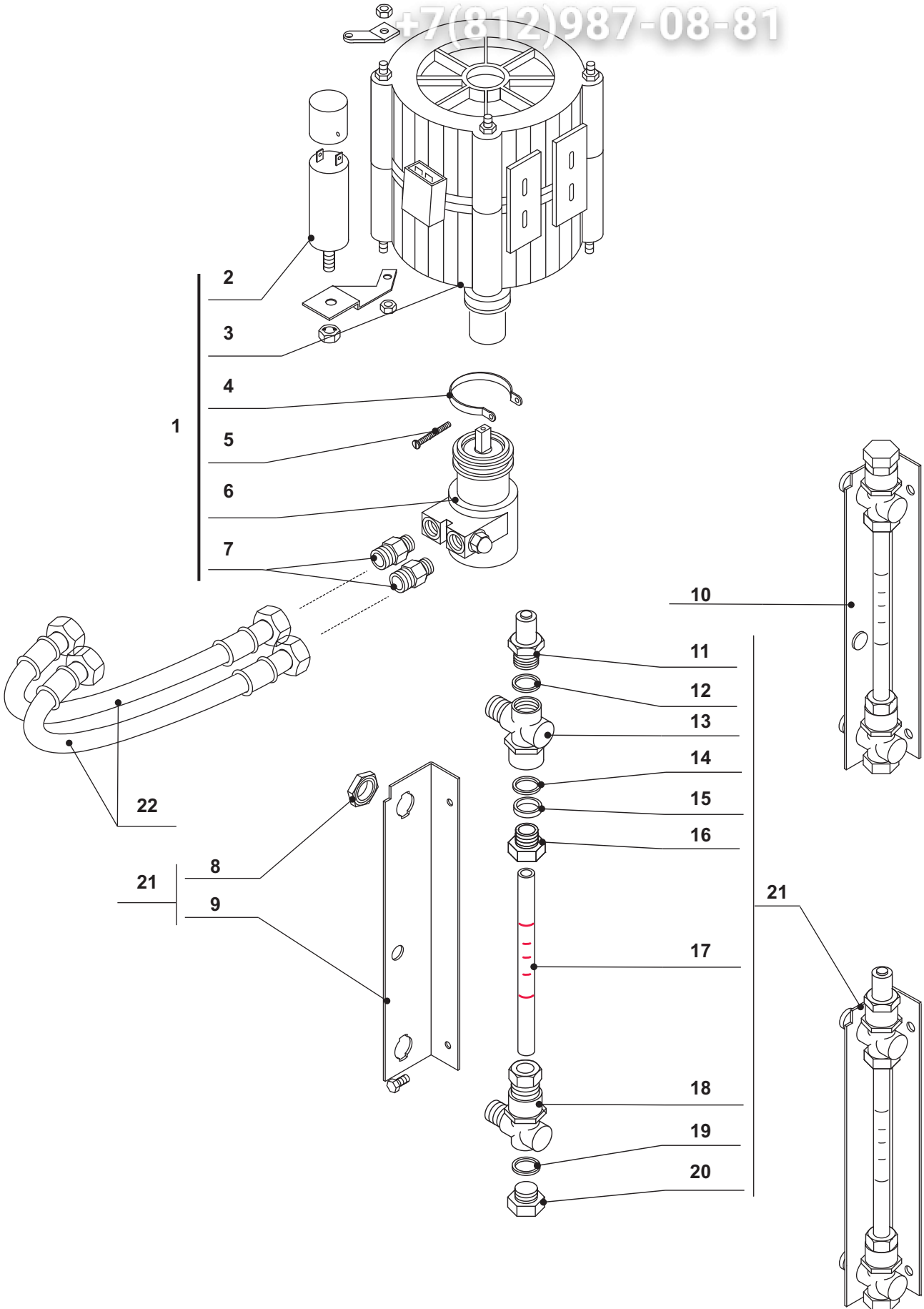
+7(812)987-08-81

| | | |
|--------------------|------------------------------------|----------------------------------|
| 1 - 06706.6.00.09 | ASSIEME GAS 1 GR. | GAS ASSEMBLY 1GR. |
| 06707.6.00.09 | ASSIEME GAS 2 GR. | GAS ASSEMBLY 2GR. |
| 06708.6.00.09 | ASSIEME GAS 3 GR. | GAS ASSEMBLY 3GR. |
| 06709.6.00.09 | ASSIEME GAS 4 GR. | GAS ASSEMBLY 4GR. |
| 2 - 02304.2.00.08 | TERMOCOPPIA GAS | THERMOCOUPLE |
| 3 - 01178.4.00.09 | RUBINETTO GAS | GAS TAP |
| 4 - 12539.0.00.04 | INNESTO TUBO GAS 1/2M-1/4F | GAS PIPE FITTING 1/2M-1/4F |
| 5 - 02110.0.00.04 | RACCORDO DIRITTO 1/4F | STRAIGHT CONNECTOR 1/4 F |
| 6 - 00240.0.00.04 | RACCORDO A "L" G. 1/4-1/4M | ELBOW CONNECTOR 1/4 |
| 7 - 01139.4.00.09 | REGOLATORE GAS | GAS REGULATOR |
| 8 - 01421.0.00.02 | MEMBRANA | MEMBRANE |
| 9 - 04729.2.06.01 | FORNELLO GAS 1 GR. | BURNER FOR 1 GR. |
| 04730.2.06.01 | FORNELLO GAS 2 GR. | BURNER FOR 2 GR. |
| 04731.2.06.01 | FORNELLO GAS 3 GR. | BURNER FOR 3 GR. |
| 04732.2.06.01 | FORNELLO GAS 4 GR. | BURNER FOR 4 GR. |
| 10 - 00137.0.00.04 | BONZOLO GAS | AIR REGULATION BUSH |
| 11 - 00209.0.00.04 | TAPPO REGOLATORE GICLEUR | PLUG FOR GICLEUR REGULATOR |
| 12 - 00835.0.00.02 | OR 2031 EP851 | GASKET OR 2031 EP851 |
| 13 - 00208.0.00.04 | CORPO REGOLATORE GILEUR | GICLEUR REGULATOR BODY |
| 14 - 07170.0.00.04 | MANICOTTO REGOLATORE | GAS REGULATOR SLEEVE |
| 15 - 03241.6.00.09 | ASSIEME REGOLATORE GAS E RUBINETTO | GAS REGULATOR +T AP ASSEMBLY |
| | | |
| 1 - 06706.6.00.09 | ENSEMBLE GAS 1GR. | GASVORRICHTUNG EINHEIT 1 GR. |
| 06707.6.00.09 | ENSEMBLE GAS 2GR. | GASVORRICHTUNG EINHEIT 2 GR. |
| 06708.6.00.09 | ENSEMBLE GAS 3GR. | GASVORRICHTUNG EINHEIT 3 GR. |
| 06709.6.00.09 | ENSEMBLE GAS 4GR. | GASVORRICHTUNG EINHEIT 4 GR. |
| 2 - 02304.2.00.08 | THERMOCOUPLE | THERMOPAAR |
| 3 - 01178.4.00.09 | ROBINET GAS | GAS HAHN |
| 4 - 12539.0.00.04 | RACCORD POUR TUYAU GAS 1/2M-1/4F | GASROHR VERBINDUNG 1/2M-1/4F |
| 5 - 02110.0.00.04 | RACCORD DROIT 1/4 F | RECHTE VERBINDUNG 1/4F |
| 6 - 00240.0.00.04 | RACCORD COUDE G.1/4 | "L" ANSCHLUSSTÜCKG. 1/4-1/4M |
| 7 - 01139.4.00.09 | REGULATEUR GAS | GAS EINSTELLVORRICHTUNG |
| 8 - 01421.0.00.02 | MEMBRANE | MEMBRANE |
| 9 - 04729.2.06.01 | BRULEUR 1 GR. | BRENNER 1 GR. |
| 04730.2.06.01 | BRULEUR 2 GR. | BRENNER 2 GR. |
| 04731.2.06.01 | BRULEUR 3 GR. | BRENNER 3 GR. |
| 04732.2.06.01 | BRULEUR 4 GR. | BRENNER 4 GR. |
| 10 - 00137.0.00.04 | DOUILLE REGULATION AIR | BÜCHSE DER LUFTZUFUHRREGULIERUNG |
| 11 - 00209.0.00.04 | BOUCHON POUR REGULATEUR GICLEUR | DECKEL DES DÜSENEINSTELLERS |
| 12 - 00835.0.00.02 | JOINT OR 2031 EP851 | OR 2031 EP851 |
| 13 - 00208.0.00.04 | CORPS POUR REGULATEUR GICLEUR | DÜSENEINSTELLER |
| 14 - 07170.0.00.04 | MANCHON REGULATEUR | MANCHETTE DES DÜSENEINSTELLERS |
| 15 - 03241.6.00.09 | ENSEMBLE REGULATEUR GAS ET ROBINET | GASVORRICHTUNG + HAHN EINHEIT |

GRUPPO POMPA - LIVELLO
PUMP UNIT - WATER LEVEL
GROUPE POMPE - NIVEAU EAU
PUMPENEINHEIT - WASSERZUSTAND

vsezip.ru

+7(812)987-08-81



7(812)987-09-81

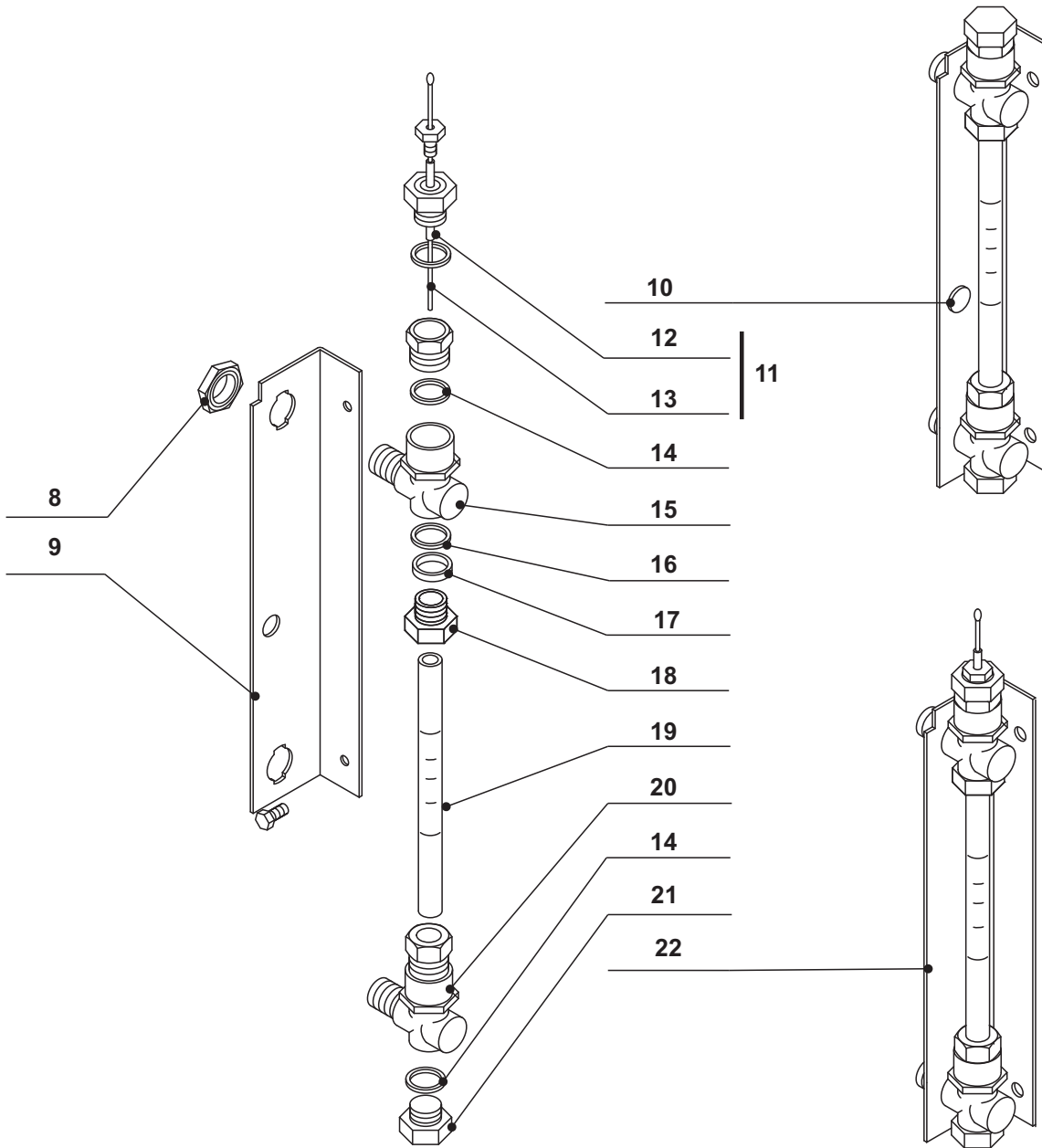
| | | |
|--------------------|---------------------------------------------------|----------------------------------------------------------|
| 1 -05072.6.00.09 | ASSIEME MOTOPOMPA 70 LT. 220/50-1 GR. | MOTOR-PUMP ASSEMBLY 70 LT. 220/50-1 GR. |
| 05046.6.00.09 | ASSIEME MOTOPOMPA 70 LT. 220/60-1 GR. | MOTOR-PUMP ASSEMBLY 70 LT. 220/60-1 GR. |
| 05073.6.00.09 | ASSIEME MOTOPOMPA 70 LT. 110/60-1 GR. | MOTOR-PUMP ASSEMBLY 70 LT. 110/60-1 GR. |
| 05042.6.00.09 | ASSIEME MOTOPOMPA 120 LT. 220 /50 - 2/3 GR. | MOTOR-PUMP ASSEMBLY 120 LT. 220 /50 - 2/3 GR. |
| 05077.6.00.09 | ASSIEME MOTOPOMPA 120 LT. 220 /60 - 2/3 GR. | MOTOR-PUMP ASSEMBLY 120 LT. 220 /60 - 2/3 GR. |
| 03294.6.00.09 | ASSIEME MOTOPOMPA 120 LT. 110 /60 - 2/3 GR. | MOTOR-PUMP ASSEMBLY 120 LT. 110/60 - 2/3 GR. |
| 04322.6.00.09 | ASSIEME MOTOPOMPA 250 LT. 220/50 - 4 GR. | MOTOR-PUMP ASSEMBLY 250 LT. 220/50 - 4 GR. |
| 2 - 05400.4.00.08 | MOTORE ATTACCO FRESATO 1/8 HP- 220/50-1 GR./105SL | MOTOR WITH MILLED CONNECTION 1/8 HP - 220/50-1 GR./105SL |
| 05403.4.00.08 | MOTORE ATTACCO FRESATO 1/8 HP - 220/60-1 GR. | MOTOR WITH MILLED CONNECTION 1/8 HP - 220/60-1 GR. |
| 05401.4.00.08 | MOTORE ATTACCO FRESATO 1/8 HP - 110/60-1 GR. | MOTOR WITH MILLED CONNECTION 1/8 HP - 110/60-1 GR. |
| 00600.4.00.08 | MOTORE ATTACCO FRESATO 1/4 HP - 220/50 -2/3/4 GR. | MOTOR WITH MILLED CONNECTION 1/4 HP - 220/50 -2/3/4 GR. |
| 01973.4.00.08 | MOTORE ATTACCO FRESATO 1/4 HP - 220/60-2/3/4 GR. | MOTOR WITH MILLED CONNECTION 1/4 HP - 220/60-2/3/4 GR. |
| 00601.4.00.08 | MOTORE ATTACCO FRESATO 1/4 HP - 110/60-2/3/4 GR. | MOTOR WITH MILLED CONNECTION 1/4 HP - 110/60-2/3/4 GR. |
| 3 - 02223.0.00.03 | FASCETTA PER POMPA | PUMP CLAMB |
| 4 - 05399.4.00.08 | ASSIEME POMPA ATTACCO FRESATO 70 LT. | PUMP ASSEMBLY MILLED CONNECTION 70 LT. |
| 00604.4.00.08 | ASSIEME POMPA ATTACCO FRESATO 100 LT. | PUMP ASSEMBLY MILLED CONNECTION 100 LT. |
| 04321.4.00.08 | ASSIEME POMPA ATTACCO FRESATO 182 LT. | PUMP ASSEMBLY MILLED CONNECTION 182 LT. |
| 5 - 01867.2.00.08 | CONDENSATORE 5 µF | CAPACITOR 5 µF |
| 01897.2.00.08 | CONDENSATORE 12,5 µF | CAPACITOR 12,5 µF |
| 00603.0.00.08 | CONDENSATORE 20 µF | CAPACITOR 20 µF |
| 01962.2.00.08 | CONDENSATORE 40 µF | CAPACITOR 40 µF |
| 6 - 01327.0.00.03 | VITE TCTC 5MAX30 | SCREW TCTC 5MA X 30 |
| 7 - 00126.0.00.04 | RACCORDO DIRITTO 3/8 3/8 M | PIPE FITTING G. 3/8 - 3/8 M |
| 8 - 00026.0.00.04 | DADO 3/8 CON RIBASSO X LIVELLO | NUT 3/8 WITH STUBBING FOR LEVEL |
| 9 - 00563.0.12.01 | SQUADRA SUPPORTO LIVELLO | WATER LEVEL SUPPORT FITTING |
| 10 - 01110.6.00.09 | ASSIEME LIVELLO SENZA AUTOLIVELLO | WATER LEVEL ASSEMBLY WITHOUT LEVEL |
| 11 - 12402.4.00.09 | ASSIEME VALVOLA VUOTO ARIA | VACUUM VALVE ASSEMBLY |
| 12 - 00813.0.00.02 | GUARNIZIONE TEFLON | TEFLON JOINT |
| 13 - 00024.0.00.04 | RACCORDO SUPERIORE LIVELLO | UPPER LEVEL PIPE FITTING |
| 14 - 00838.0.00.02 | OR 113 EP851 | GASKET OR 113 EP851 |
| 15 - 00088.0.00.04 | RONDELLA TENUTA LIVELLO | LEVEL SEAL WASHER |
| 16 - 00089.0.10.04 | GHIERA LIVELLO | LEVEL METAL RING |
| 17 - 00787.0.00.02 | VETRO LIVELLO | LEVEL GLASS |
| 18 - 11090.0.00.04 | RACCORDO INFERIORE LIVELLO | LOWER LEVEL PIPE FITTING |
| 19 - 00813.0.00.02 | GUARNIZIONE TEFLON | TEFLON JOINT |
| 20 - 11091.0.00.04 | TAPPO LIVELLO INFERIORE | LOWER LEVEL PLUG |
| 21 - 13553.6.00.09 | ASSIEME LIVELLO | WATER LEVEL ASSEMBLY |
| 22 - 00273.2.00.04 | TUBO RITORNO POMPA CM. 28,5 | OUTLET HOSE CM. 28,5 |
| 01579.2.00.04 | TUBO ANDATA CM. 36 | INLET HOSE CM. 36 |
| 1 -05072.6.00.09 | ENSEMBLE MOTEUR-POMPE 70 LT. 220/50-1 GR. | MOTOR-PUMPENEINHEIT 70 LT. 220/50-1 GR. |
| 05046.6.00.09 | ENSEMBLE MOTEUR-POMPE 70 LT. 220/60-1 GR. | MOTOR-PUMPENEINHEIT 70 LT. 220/60-1 GR. |
| 05073.6.00.09 | ENSEMBLE MOTEUR-POMPE 70 LT. 110/60-1 GR. | MOTOR-PUMPENEINHEIT 70 LT. 110/60-1 GR. |
| 05042.6.00.09 | ENSEMBLE MOTEUR-POMPE 120 LT. 220 /50 - 2/3 GR. | MOTOR-PUMPENEINHEIT 120 LT. 220 /50 - 2/3 GR. |
| 05077.6.00.09 | ENSEMBLE MOTEUR-POMPE 120 LT. 220 /60 - 2/3 GR. | MOTOR-PUMPENEINHEIT 120 LT. 220 /60 - 2/3 GR. |
| 03294.6.00.09 | ENSEMBLE MOTEUR-POMPE 120 LT. 110 /60 - 2/3 GR. | MOTOR-PUMPENEINHEIT 120 LT. 110 /60 - 2/3 GR. |
| 04322.6.00.09 | ENSEMBLE MOTEUR-POMPE 250 LT. 220/50 - 4 GR. | MOTOR-PUMPENEINHEIT 250 LT. 220/50 - 4 GR. |
| 2 - 05400.4.00.08 | MOTEUR ATTAQUE FRAISE 1/8 HP- 220/50-1 GR./105SL | MOTOR MIT GEFRÄSTER ANSCHLUSS 1/8 HP- 220/50-1 GR./105SL |
| 05403.4.00.08 | MOTEUR ATTAQUE FRAISE 1/8 HP - 220/60-1 GR. | MOTOR MIT GEFRÄSTER ANSCHLUSS 1/8 HP - 220/60-1 GR. |
| 05401.4.00.08 | MOTEUR ATTAQUE FRAISE 1/8 HP - 110/60-1 GR. | MOTOR MIT GEFRÄSTER ANSCHLUSS 1/8 HP - 110/60-1 GR. |
| 00600.4.00.08 | MOTEUR ATTAQUE FRAISE 1/4 HP - 220/50 -2/3/4 GR. | MOTOR MIT GEFRÄSTER ANSCHLUSS 1/4 HP - 220/50 -2/3/4 GR. |
| 01973.4.00.08 | MOTEUR ATTAQUE FRAISE 1/4 HP - 220/60-2/3/4 GR. | MOTOR MIT GEFRÄSTER ANSCHLUSS 1/4 HP - 220/60-2/3/4 GR. |
| 00601.4.00.08 | MOTEUR ATTAQUE FRAISE 1/4 HP - 110/60-2/3/4 GR. | MOTOR MIT GEFRÄSTER ANSCHLUSS 1/4 HP - 110/60-2/3/4 GR. |
| 3 - 02223.0.00.03 | BANDE FIXATION POMPE | PUMPENBEFESTIGUNGSBAND |
| 4 - 05399.4.00.08 | ENSEMBLE POMPE ATTAQUE FRAISE 70 LT. | PUMPENEINHEIT GEFRÄSTER ANSCHLUSS 70 LT. |
| 00604.4.00.08 | ENSEMBLE POMPE ATTAQUE FRAISE 100 LT. | PUMPENEINHEIT GEFRÄSTER ANSCHLUSS 100 LT. |
| 04321.4.00.08 | ENSEMBLE POMPE ATTAQUE FRAISE 182 LT. | PUMPENEINHEIT GEFRÄSTER ANSCHLUSS 182 LT. |
| 5 - 01867.2.00.08 | CONDENSATEUR 5 µF | KONDENSATOR 5 µF |
| 01897.2.00.08 | CONDENSATEUR 12,5 µF | KONDENSATOR 12,5 µF |
| 00603.0.00.08 | CONDENSATEUR 20 µF | KONDENSATOR 20 µF |
| 01962.2.00.08 | CONDENSATEUR 40 µF | KONDENSATOR 40 µF |
| 6 - 01327.0.00.03 | VS TCTC 5MAX30 | SCHRAUBE TCTC 5MA X 30 |
| 7 - 00126.0.00.04 | RACCORD DROIT 3/8 3/8 M | RECHTE VERBINDUNG 3/8 3/8 Z |
| 8 - 00026.0.00.04 | ECROU 3/8 AVEC ABAISSEMENT POUR NIVEAU | MUTTER 3/8 MIT ABSCHLAG FÜR WASSERZUSTAND |
| 9 - 00563.0.12.01 | ESQUERRE SUPPORT NIVEAU | WINKEL FÜR WASSERZUSTAND |
| 10 - 01110.6.00.09 | ENSEMBLE NIVEAU SANS NIVEAU | WASSERZUSTAND EINHEIT OHNE WASSERZUSTAND |
| 11 - 12402.4.00.09 | CLAPET DE VIDE PNEUMATIQUE | VAKUUMVENTILSATZ |
| 12 - 00813.0.00.02 | JOINT TEFLON | TEFLON DICHTUNG |
| 13 - 00024.0.00.04 | RACCORD SUPERIEUR NIVEAU | OBERE VERBINDUNG FÜR WASSERZUSTAND |
| 14 - 00838.0.00.02 | JOINT OR 113 EP851 | OR 113 EP851 |
| 15 - 00088.0.00.04 | RONDELLE ETANCHEITÉ NIVEAU | UNTERLAGSCHEIBE FÜR WASSERZUSTANDDICHTUNG |
| 16 - 00089.0.10.04 | EMBOUT NIVEAU | GEWINDERING |
| 17 - 00787.0.00.02 | VERRE NIVEAU | WASSERZUSTANDSGLAS |
| 18 - 11090.0.00.04 | RACCORD INFERIEUR NIVEAU | UNTERE VERBINDUNG FÜR WASSERZUSTAND |
| 19 - 00813.0.00.02 | JOINT TEFLON | TEFLON DICHTUNG |
| 20 - 11091.0.00.04 | BOUCHON INFERIEUR NIVEAU | INTERER DECKEL FÜR WASSERZUSTAND |
| 21 - 13553.6.00.09 | ENSEMBLE NIVEAU EAU | WASSERZUSTANDEINHEIT |
| 22 - 00273.2.00.04 | TUYAU SORTIE EAU CM. 28,5 | AUSLAUFSCHLAUCH CM. 28,5 |
| 01579.2.00.04 | TUYAU ENTREE EAU CM. 36 | WASSEREINLAUF CM. 36 |

LIVELLO - FINO AL 06/2004
WATER LEVEL UNTIL THE 06/2004
NIVEAU EAU - JUSQU'AU 06/2004
WASSERZUSTAND - BIS ZUM 06/2004

27 BIS

vsezip.ru

+7(812)987-08-81

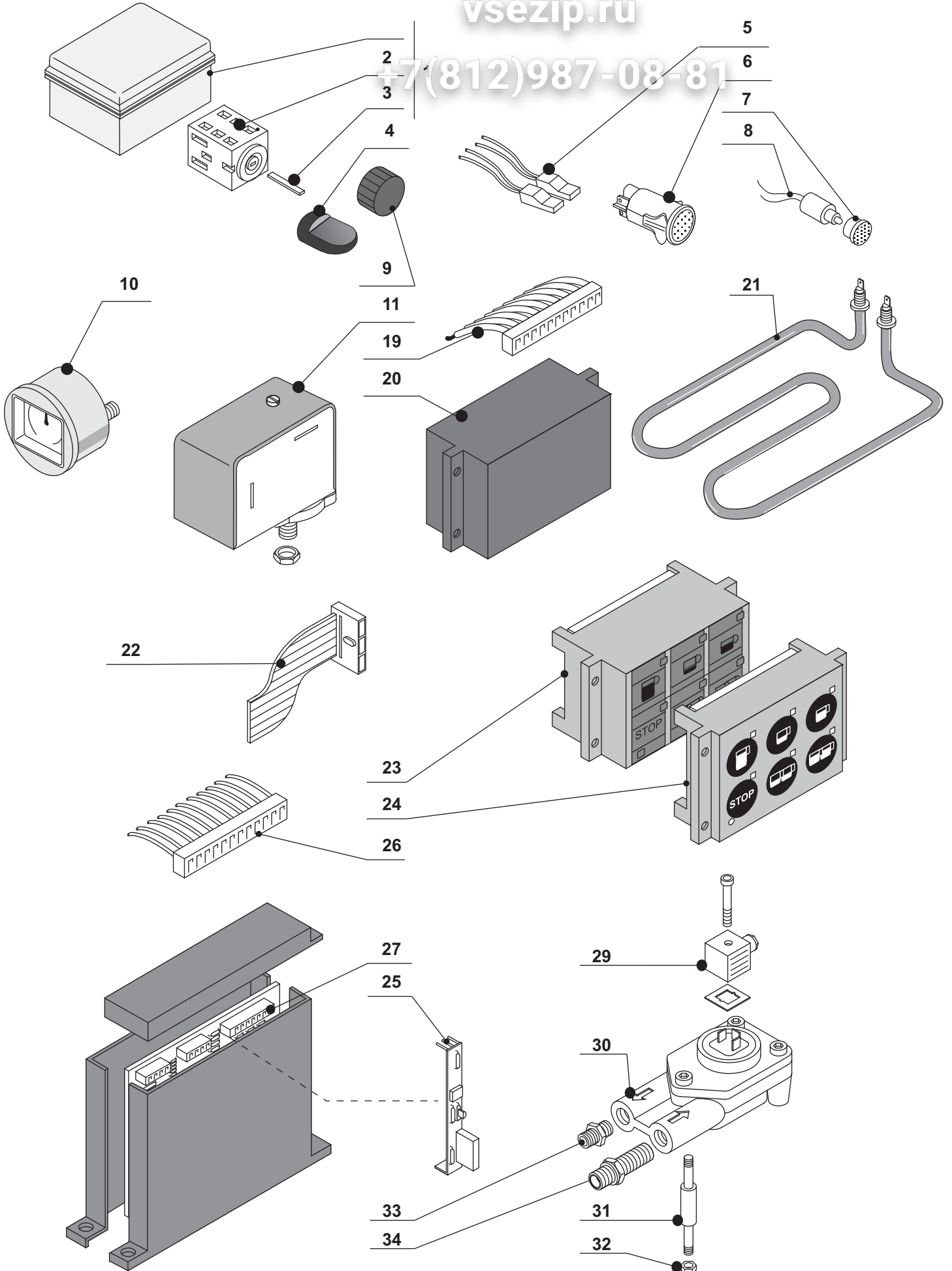


vsezip.ru

| | | |
|--------------------|----------------------------------------|-------------------------------------------|
| 8 - 00026.0.00.04 | DADO 3/8 CON RIBASSO X LIVELLO | NUT 3/8 WITH STUBBING FOR LEVEL |
| 9 - 00563.0.12.01 | SQUADRA SUPPORTO LIVELLO | WATER LEVEL SUPPORT FITTING |
| 10 - 01110.6.00.09 | ASSIEME LIVELLO SENZA AUTOLIVELLO | WATER LEVEL ASSEMBLY WITHOUT LEVEL |
| 11 - 00649.4.00.08 | SONDA | PROBE |
| 12 - 01384.0.00.02 | ISOLATORE TEFLON | TEFLON INSULATOR |
| 13 - 01992.0.00.08 | ASTINA X SONDA | PROBE LITTLE STUD |
| 14 - 00813.0.00.02 | GUARNIZIONE TEFLON | TEFLON JOINT |
| 15 - 00024.0.00.04 | RACCORDO SUPERIORE LIVELLO | UPPER LEVEL PIPE FITTING |
| 16 - 00838.0.00.02 | OR 113 EP851 | GASKET OR 113 EP851 |
| 17 - 00088.0.00.04 | RONDELLA TENUTA LIVELLO | LEVEL SEAL WASHER |
| 18 - 00089.0.10.04 | GHIERA LIVELLO | LEVEL METAL RING |
| 19 - 00787.0.00.02 | VETRO LIVELLO | LEVEL GLASS |
| 20 - 11090.0.00.04 | RACCORDO INFERIORE LIVELLO | LOWER LEVEL PIPE FITTING |
| 21 - 11091.0.00.04 | TAPPO LIVELLO INFERIORE | LOWER LEVEL PLUG |
| 22 - 01211.6.00.09 | ASSIEME LIVELLO PER AUTOLIVELLO | WATER LEVEL ASSEMBLY FOR AUTOM. LEVEL |
| 23 - 00273.2.00.04 | TUBO RITORNO POMPA CM. 28,5 | OUTLET HOSE CM. 28,5 |
| 01579.2.00.04 | TUBO ANDATA CM. 36 | INLET HOSE CM. 36 |
| 8 - 00026.0.00.04 | ECROU 3/8 AVEC ABAISSEMENT POUR NIVEAU | MUTTER 3/8 MIT ABSCHLAG FÜR WASSERZUSTAND |
| 9 - 00563.0.12.01 | ESQUERRE SUPPORT NIVEAU | WINKEL FÜR WASSERZUSTAND |
| 10 - 01110.6.00.09 | ENSEMBLE NIVEAU SANS NIVEAU | WASSERZUSTAND EINHEIT OHNE WASSERZUSTAND |
| 11 - 00649.4.00.08 | SONDE | SONDE |
| 12 - 01384.0.00.02 | ISOLATEUR TEFLON | TEFLON DICHTUNG |
| 13 - 01992.0.00.08 | TIGE POUR SONDE | STANGE DER SONDE |
| 14 - 00813.0.00.02 | JOINT TEFLON | TEFLON DICHTUNG |
| 15 - 00024.0.00.04 | RACCORD SUPERIEUR NIVEAU | OBERE VERBINDUNG FÜR WASSERZUSTAND |
| 16 - 00838.0.00.02 | JOINT OR 113 EP851 | OR 113 EP851 |
| 17 - 00088.0.00.04 | RONDELLE ETANCHEITÉ NIVEAU | UNTERLAGSCHEIBE FÜR WASSERZUSTANDDICHTUNG |
| 18 - 00089.0.10.04 | EMBOUT NIVEAU | GEWINDERING |
| 19 - 00787.0.00.02 | VERRE NIVEAU | WASSERZUSTANDSGLAS |
| 20 - 11090.0.00.04 | RACCORD INFERIEUR NIVEAU | UNTERE VERBINDUNG FÜR WASSERZUSTAND |
| 21 - 11091.0.00.04 | BOUCHON INFERIEUR NIVEAU | UNTERER DECKEL FÜR WASSERZUSTAND |
| 22 - 01211.6.00.09 | ENSEMBLE NIVEAU POUR NIVEAU | WASSERZUSTAND EINHEIT FÜR WASSERZUSTAND |
| 23 - 00273.2.00.04 | TUYAU SORTIE EAU CM. 28,5 | AUSLAUFSCHLAUCH CM. 28,5 |
| 01579.2.00.04 | TUYAU ENTREE EAU CM. 36 | WASSEREINLAUF CM. 36 |

vsezip.ru

+7(812)987-08-81

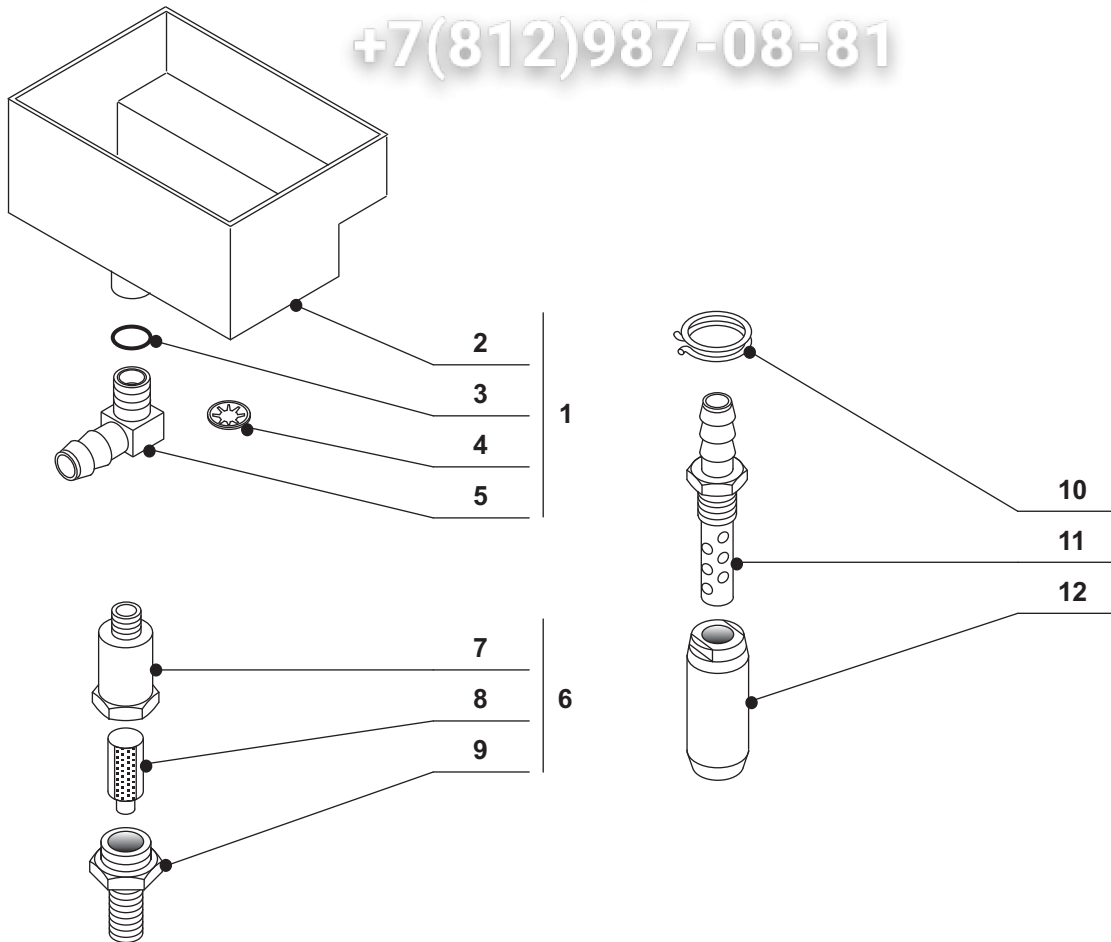


COMPONENTI ELETTRICI ED ELETTRONICI
ELECTRIC AND ELECTRONIC COMPONENTS
COMPOSANTS ELECTRIQUES ET ELECTRONIQUES
ELEKTRISCHE UND ELEKTRONIK BESTANDTEILE

| | | | |
|----|-----------------|-----------------------------------------------------|----------------------------------------------|
| 1 | - 06566.2.00.08 | CABLAGGIO INTERRUTTORE GENERALE 220V. 20A. 1GR. | WIRING FOR ON-OFF SWITCH 220V. 20A. 1GR. |
| | 05425.2.00.08 | CABLAGGIO INTERRUTTORE GENERALE 220V. 2-3-4GR. | WIRING FOR ON-OFF SWITCH 220V. 2-3-4GR. |
| | 12799.2.00.08 | CABLAGGIO INTERRUTTORE GENERALE 220V. 25A. 2-3-4GR. | WIRING FOR ON-OFF SWITCH 220V. 25A. 2-3-4GR. |
| 2 | - 04990.2.00.08 | INTERRUTTORE 16A. | ON-OFF SWITCH 16A. |
| | 04991.2.00.08 | INTERRUTTORE 20A. | ON-OFF SWITCH 20A. |
| 3 | - 05784.0.00.04 | ASTINA PER INTERRUTTORE | ROD FOR SWITCH |
| 4 | - 00772.0.00.02 | MANOPOLA PER INTERRUTTORE | SWITCH KNOB |
| 5 | - 00717.2.00.08 | CABLAGGIO PULSANTE 1GR. | PUSH-BUTTON WIRING 1GR. |
| | 00718.2.00.08 | CABLAGGIO PULSANTE 2GR. | PUSH-BUTTON WIRING 2GR. |
| | 00719.2.00.08 | CABLAGGIO PULSANTE 3GR. | PUSH-BUTTON WIRING 3GR. |
| | 00720.2.00.08 | CABLAGGIO PULSANTE 4GR. | PUSH-BUTTON WIRING 4GR. |
| 6 | - 01975.2.00.08 | INTERRUTTORE BIPOLARE LUMINOSO(PULSANTE) | BIPOLAR LUMINOUS SWITCH (PUSH-BUTTON) |
| 7 | - 02627.0.00.02 | GEMMA SR3 ARANCIO | ORANGE COVER FOR LIGHT |
| | 02628.0.00.02 | GEMMA SR3 VERDE | GREEN COVER FOR LIGHT |
| 8 | - 00668.2.00.08 | LAMPADA SPIA 220V | WARNING LIGHT 220V |
| 9 | - 04404.0.00.02 | MANOPOLA PER INTERRUTTORE 105SL | SWITCH KNOB 105SL |
| 10 | - 05465.2.00.08 | MANOMETRO | MANOMETER |
| 11 | - 00630.4.00.08 | PRESSOSTATO | PRESSURE SWITCH |
| 19 | - 09521.2.00.08 | CABLAGGIO AUTOLIVELLO | WATER LEVEL WIRING |
| 20 | - 09522.2.00.08 | CENTRALINA AUTOLIVELLO 230V. | WATER LEVEL ELECTRONIC BOX 230V. |
| | 09934.2.00.08 | CENTRALINA AUTOLIVELLO 115V. | WATER LEVEL ELECTRONIC BOX 115V. |
| 21 | - 00708.2.00.08 | RESISTENZA SCALDATAZZE 2 GR. | CUP WARMER HEATING ELEMENT 2 GR. |
| | 01848.2.00.08 | RESISTENZA SCALDATAZZE 3-4 GR. | CUP WARMER HEATING ELEMENT 3-4 GR. |
| 22 | - 10141.2.00.08 | FLAT CABLE 2 GR. | FLAT CABLE 2 GR. |
| | 10142.2.00.08 | FLAT CABLE 3 GR. | FLAT CABLE 3 GR. |
| | 10143.2.00.08 | FLAT CABLE 4 GR. | FLAT CABLE 4 GR. |
| 23 | - 10138.2.00.08 | PULSANTIERA REV. 2 -10/03/2000 | PUSH-BUTTON PAD REV.2 -10/03/2000 |
| 24 | - 13430.2.00.08 | PULSANTIERA REV. 3 -02/08/2002 | PUSH-BUTTON PAD REV. 3 -02/08/2002 |
| 25 | - 11739.2.00.08 | RELÉ | RELAIS |
| 27 | - 10696.2.00.08 | CABLAGGIO 2 GR. | WIRING 2 GR. |
| | 10806.2.00.08 | CABLAGGIO 3 GR. | WIRING 3 GR. |
| | 10807.2.00.08 | CABLAGGIO 4 GR. | WIRING 4 GR. |
| 28 | - 13420.2.00.08 | CENTRALINA 2 GR. REV. 3 -02/08/2002 | ELECTRONIC BOX 2 GR. REV. 3 -02/08/2002 |
| | 13421.2.00.08 | CENTRALINA 3 GR. REV. 3 -02/08/2002 | ELECTRONIC BOX 3 GR. REV. 3 -02/08/2002 |
| | 13422.2.00.08 | CENTRALINA 4 GR. REV. 3 -02/08/2002 | ELECTRONIC BOX 4 GR. REV. 3 -02/08/2002 |
| | 09950.2.00.08 | CENTRALINA 2 GR. REV. 2 -10/03/2000 | ELECTRONIC BOX 2 GR. REV. 2 -10/03/2000 |
| | 09952.2.00.08 | CENTRALINA 3 GR. REV. 2 -10/03/2000 | ELECTRONIC BOX 3 GR. REV. 2 -10/03/2000 |
| | 09953.2.00.08 | CENTRALINA 4 GR. REV. 2 -10/03/2000 | ELECTRONIC BOX 4 GR. REV. 2 -10/03/2000 |
| 29 | - 09013.0.00.08 | CONNETTORE PER DOSATORE VOLUMETRICO | FLOWMETER CONNECTOR |
| 30 | - 08729.2.00.08 | DOSATORE VOLUMETRICO | FLOWMETER |
| 31 | - 08970.0.00.04 | PRIGIONIERO | STUD BOLT |
| 32 | - 01264.0.00.03 | DADO M4 | NUT M4 |
| 33 | - 00236.0.00.04 | RACCORDO DIRITTO 1/8M L=20 | STRAIGHT CONNECTOR 1/8T L=20 |
| 34 | - 00217.0.00.04 | RACCORDO DIRITTO 1/8M L=36 | STRAIGHT CONNECTOR 1/8T L=36 |

| | | | |
|----|-----------------|--------------------------------------------------|---------------------------------------------------|
| 1 | - 06566.2.00.08 | CABLAGE INTERRUPTEUR GENERAL 220V. 20A. 1GR. | HAUPTSCHALTER KABELVERBINDUNG 220V. 20A. 1GR. |
| | 05425.2.00.08 | CABLAGE INTERRUPTEUR GENERAL 220V. 2-3-4GR. | HAUPTSCHALTER KABELVERBINDUNG 220V. 2-3-4GR. |
| | 12799.2.00.08 | CABLAGE INTERRUPTEUR GENERAL 220V. 25A. 2-3-4GR. | HAUPTSCHALTER KABELVERBINDUNG 220V. 25A. 2-3-4GR. |
| 2 | - 04990.2.00.08 | INTERRUPTEUR 16A. | HAUPTSCHALTER 16A. |
| | 04991.2.00.08 | INTERRUPTEUR 20A. | HAUPTSCHALTER 20A. |
| 3 | - 05784.0.00.04 | PIVOT POUR INTERRUPTEUR | STIFT FÜR SCHALTER |
| 4 | - 00772.0.00.02 | POIGNÉE POUR INTERRUPTEUR | DREHKNOPF FÜR SCHALTER |
| 5 | - 00717.2.00.08 | CABLAGE BOUTON 1GR. | DRUCKKNOPF KABELVERBINDUNG 1GR. |
| | 00718.2.00.08 | CABLAGE BOUTON 2GR. | DRUCKKNOPF KABELVERBINDUNG 2GR. |
| | 00719.2.00.08 | CABLAGE BOUTON 3GR. | DRUCKKNOPF KABELVERBINDUNG 3GR. |
| | 00720.2.00.08 | CABLAGE BOUTON 4GR. | DRUCKKNOPF KABELVERBINDUNG 4GR. |
| 6 | - 01975.2.00.08 | INTERRUPTEUR BIPOLAIRE LUMINEUX (BOUTON) | 2 POLIGER LEUCHTENDER SCHALTER (DRUCKKNOPF) |
| 7 | - 02627.0.00.02 | PROTECTION TÉMOIN ORANGE | ORANGE DECKUNG FÜR LAMPE |
| | 02628.0.00.02 | PROTECTION TÉMOIN VERT | GRÜNE DECKUNG FÜR LAMPE |
| 8 | - 00668.2.00.08 | TÉMOIN 220V | WARNLAMPE 220V |
| 9 | - 04404.0.00.02 | POIGNÉE POUR INTERRUPTEUR 105SL | DREHKNOPF FÜR SCHALTER 105SL |
| 10 | - 05465.2.00.08 | MANOMETRE | MANOMETER |
| 11 | - 00630.4.00.08 | PRESSOSTAT | DRUCKWÄCHTER |
| 19 | - 09521.2.00.08 | CABLAGE NIVEAU EAU | WASSERZUSTAND KABELVERBINDUNG |
| 20 | - 09522.2.00.08 | BOÎTE ELECTRONIQUE NIVEAU EAU 230V. | WASSERZUSTAND ELEKTRISCHE STEUERUNG 230V. |
| | 09934.2.00.08 | BOÎTE ELECTRONIQUE NIVEAU EAU 115V. | WASSERZUSTAND ELEKTRISCHE STEUERUNG 115V. |
| 21 | - 00708.2.00.08 | RESISTANCE CHAUFFE-TASSES 2 GR. | TASSENVORWÄRMER HEIZKOERPER 2 GR. |
| | 01848.2.00.08 | RESISTANCE CHAUFFE-TASSES 3-4 GR. | TASSENVORWÄRMER HEIZKOERPER 3-4 GR. |
| 22 | - 10141.2.00.08 | FLAT CABLE 2 GR. | FLAT CABLE 2 GR. |
| | 10142.2.00.08 | FLAT CABLE 3 GR. | FLAT CABLE 3 GR. |
| | 10143.2.00.08 | FLAT CABLE 4 GR. | FLAT CABLE 4 GR. |
| 23 | - 10138.2.00.08 | CLAVIER REV..2 -10/03/2000 | TASTATUR REV. 2 -10/03/2000 |
| 24 | - 13430.2.00.08 | CLAVIER REV. 3 -02/08/2002 | TASTATUR REV. 3 -02/08/2002 |
| 25 | - 11739.2.00.08 | RELAIS | RELAIS |
| 27 | - 10696.2.00.08 | CABLAGE 2 GR. | KABELVERBINDUNG 2 GR. |
| | 10806.2.00.08 | CABLAGE 3 GR. | KABELVERBINDUNG 3 GR. |
| | 10807.2.00.08 | CABLAGE 4 GR. | KABELVERBINDUNG 4 GR. |
| 28 | - 13420.2.00.08 | BOÎTE ELECTRONIQUE 2 GR. REV. 3 -02/08/2002 | ELEKTRONISCHE STEUERUNG 2 GR. REV. 3 -02/08/2002 |
| | 13421.2.00.08 | BOÎTE ELECTRONIQUE 3 GR. REV. 3 -02/08/2002 | ELEKTRONISCHE STEUERUNG 3 GR. REV. 3 -02/08/2002 |
| | 13422.2.00.08 | BOÎTE ELECTRONIQUE 4 GR. REV. 3 -02/08/2002 | ELEKTRONISCHE STEUERUNG 4 GR. REV. 3 -02/08/2002 |
| | 09950.2.00.08 | BOÎTE ELECTRONIQUE 2 GR. REV. 2 -10/03/2000 | ELEKTRONISCHE STEUERUNG 2 GR. REV. 2 -10/03/2000 |
| | 09952.2.00.08 | BOÎTE ELECTRONIQUE 3 GR. REV. 2 -10/03/2000 | ELEKTRONISCHE STEUERUNG 3 GR. REV. 2 -10/03/2000 |
| | 09953.2.00.08 | BOÎTE ELECTRONIQUE 4 GR. REV. 2 -10/03/2000 | ELEKTRONISCHE STEUERUNG 4 GR. REV. 2 -10/03/2000 |
| 29 | - 09013.0.00.08 | CONNECTEUR POUR DOSEUR VOLUMETRIQUE | KONNEKTOR DES DURCHFLOSSGEBERS |
| 30 | - 08729.2.00.08 | DOSEUR VOLUMETRIQUE | DURCHFLOSSGEBER |
| 31 | - 08970.0.00.04 | PRISONNIER | GEWINDESTIFT |
| 32 | - 01264.0.00.03 | ECROU M4 | MUTTER M4 |
| 33 | - 00236.0.00.04 | RACCORD DROIT 1/8M L=20 | RECHTE VERBINDUNG 1/8Z L=20 |
| 34 | - 00217.0.00.04 | RACCORD DROIT 1/8M L=36 | RECHTE VERBINDUNG 1/8Z L=36 |

+7(812)987-08-81



- 1 - 02971.6.00.09 ASS.VASCHETTA SCARICO
- 2 - 03172.0.00.02 VASCHETTA SCARICO IN PLASTICA
- 3 - 01370.0.00.02 OR 2050 EP851
- 4 - 01310.0.00.03 RONDELLA ELASTICA
- 5 - 03173.0.00.02 RACCORDO PER VASCHETTA
- 6 - 08193.6.00.09 ASSIEME PORTAFILTRO ALLACCIAMENTO RETE
- 7 - 07971.0.00.04 CORPO PORTAFILTRO
- 8 - 08223.0.00.02 FILTRO
- 9 - 07972.0.00.04 RACCORDO PORTAFILTRO
- 10- 00861.0.00.03 FASCIA A MOLLA STRINGITUBO
- 11- 00187.0.00.04 ROMPIGETTO SCARICO ELETTROVALVOLA
- 12- 00188.0.00.04 RACCORDO PER ROMPIGETTO

- PLASTIC DRAIN TRAY ASSEMBLY
- PLASTIC DRAIN TRAY
- GASKET OR 2050 EP851
- ELASTIC WASHER
- PLASTIC DRAIN TRAY PIPE FITTING
- FILTERHOLDER ASSEMBLY FOR WATER MAIN CONNECTION
- FILTERHOLDER BODY
- FILTER
- FILTERHOLDER CONNECTOR
- SPRING CLIP
- SOLENOID VALVE OUTLET SPOUT BREAKER
- SPOUT BREAKER CONNECTOR

- 1 - 02971.6.00.09 ENSEMBLE CUVETTE DE VIDANGE
- 2 - 03172.0.00.02 CUVETTE DE VIDANGE
- 3 - 01370.0.00.02 JOINT OR 2050 EP851
- 4 - 01310.0.00.03 RONDELLE F0 8/18
- 5 - 03173.0.00.02 RACCORD POUR CUVETTE
- 6 - 08193.6.00.09 ENSEMBLE PORTE-FILTRE BRANCHEMENT RESEAU HYD.
- 7 - 07971.0.00.04 CORPS PORTE-FILTRE
- 8 - 08223.0.00.02 FILTRE
- 9 - 07972.0.00.04 RACCORD PORTE-FILTRE
- 10- 00861.0.00.03 BANDE A RESSORT
- 11- 00187.0.00.04 BRISE-JET VIDANGE ELECTROSOUPAPE
- 12- 00188.0.00.04 RACCORD POUR BRISE-JET

- ABLAUFSWANNENEINHEIT
- ABLAUFSWANNE
- DICHTUNG OR 2050 EP851
- UNTERLAGSCHEIBE F0 8/18
- ABLAUFSWANNEVERBINDUNG
- FILTERHALTEREINHEIT FÜR WASSERLEITUNGSANSCHLUSS
- FILTERHALTER KÖRPER
- FILTER
- FILTERHALTERVERBINDUNG
- FEDER BÄNDCHEN
- STRAHLENBRECHER VENTILAUFLAUF
- STRAHLENBRECHERVERBINDUNG