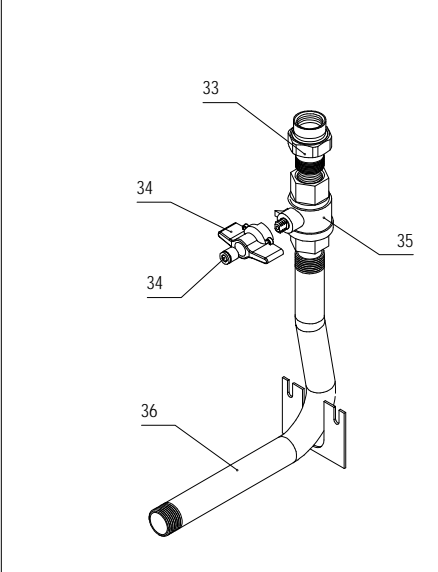
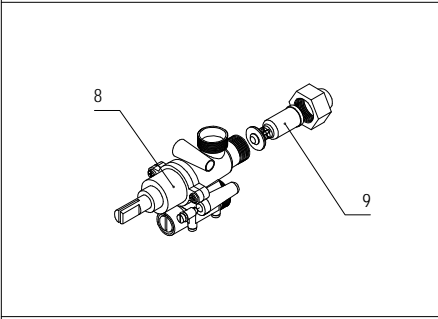
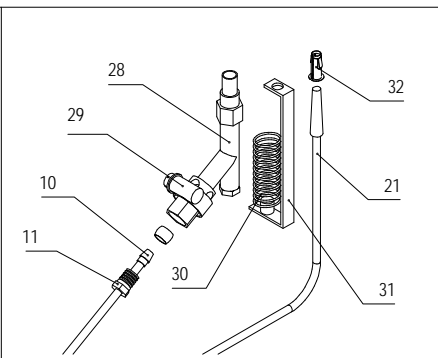
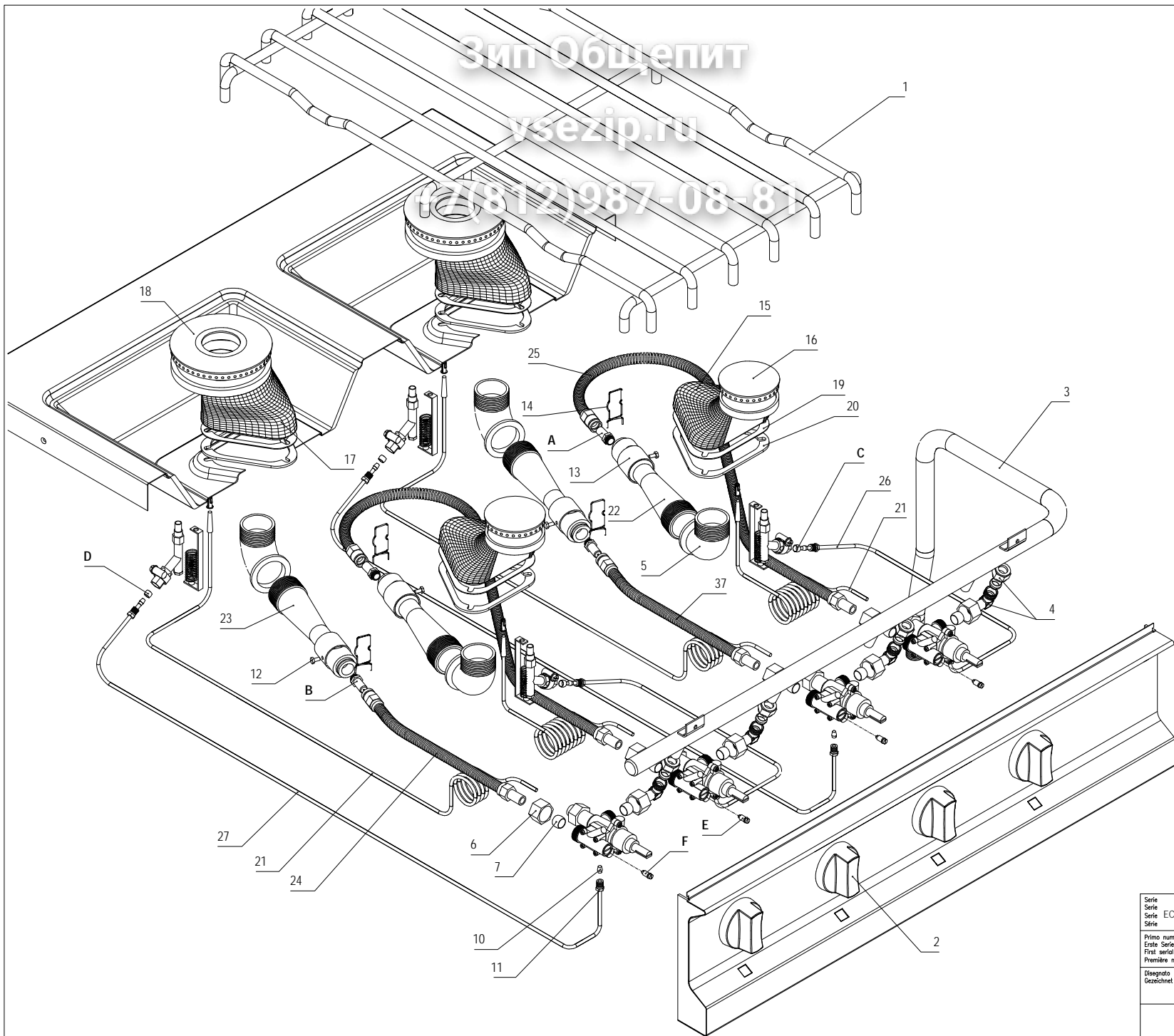


Zip Общепит

uzezip.ru

7(812)987-08-81



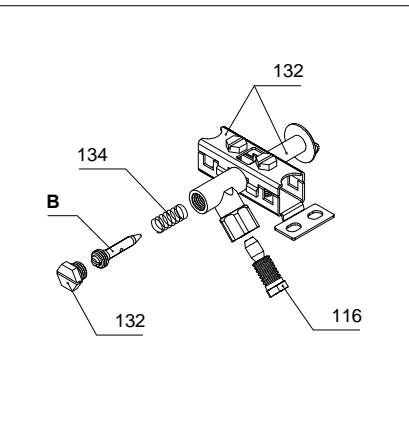
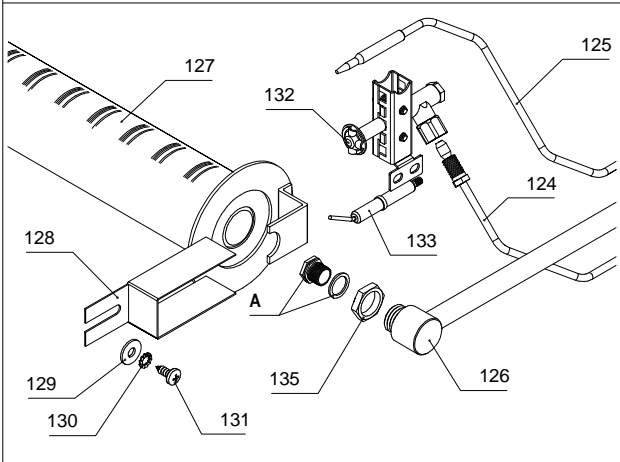
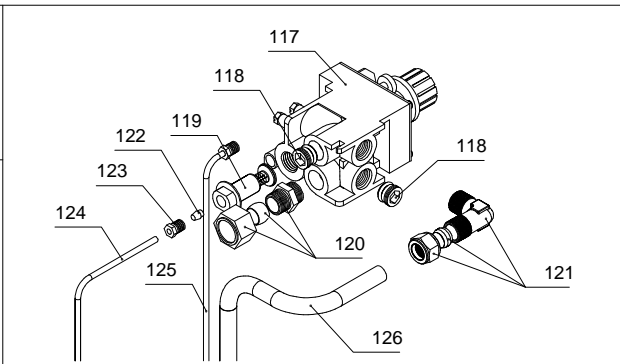
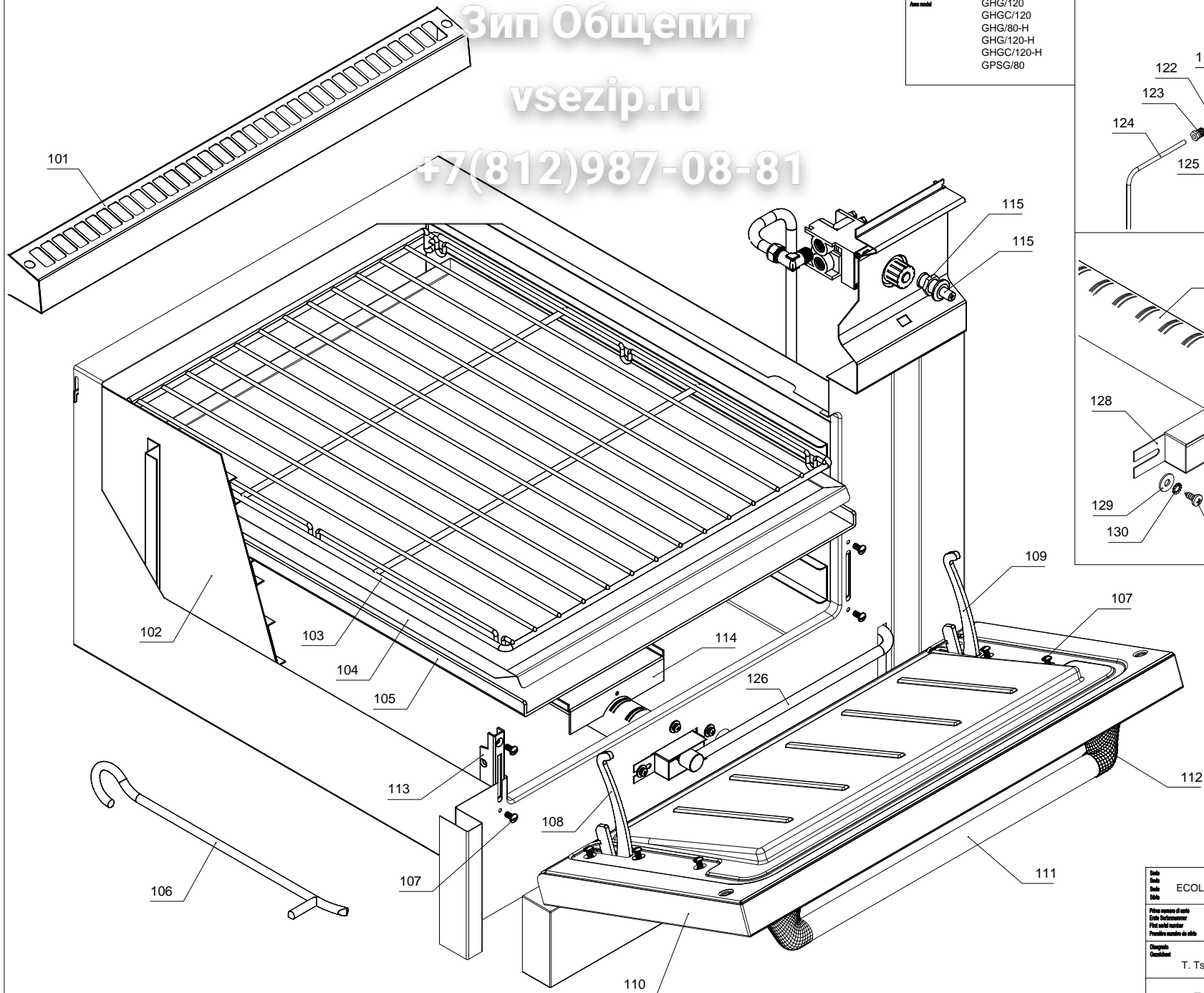
| | | | | | | | |
|--|------------|---|----------------|-----------------------------------|------------|--|----------|
| Serie Serie Série | ECOLINE | Modello Model Modél | GH/80 | Codice Kodex Code | 0104915352 | Tav. Detail Détail | |
| Primo numero di serie Erste Seriennummer First serial number Première numéro de série | | Ultimo numero di serie Letzte Seriennummer Last serial number Dernière numéro de série | | Revisione Revision Révision | 00 | | |
| Disegnato Gezeichnet | T. Tschigg | Approvato Geprüft | <i>Tschigg</i> | File Datei | GH80.DWG | Data Datum | 18/10/00 |
| ambach GROSSKÜCHENTECHNIK - GRANDI CUCINE | | | | | | 39052 Kallern-Caldaro-ITALY Tel. 0471-662213 Telefax 0471-662065 | |

Зип Общепит

vsezip.ru

+7(812)987-08-81

GHG/80
 GHG/120
 GHGC/120
 GHG/80-H
 GHG/120-H
 GHGC/120-H
 GPSG/80



| | | | |
|--|---|--|--|
| Serie Serie Serie Serie | Modello Modello Modello Modello | Colore Colore Colore Colore | Tipo Detail Detail Detail |
| ECOLINE | | | |
| Prima versione di serie Erste Seriennummer First serial number Primeira versão de série | Última versione di serie Letzte Seriennummer Last serial number Última versão de série | Finestra Finestra Finestra Finestra | |
| Disegnato Confezionato | Approvato Copriferito | File File | Data Data |
| T. Tschigg | | *.DWG | 27/08/01 |
| | | | 30022 Kallern-Cadenè-ITALY Tel. 0471-892213 Telex: 071480205 |

0104915354 Model: GHG/80
**Gasherd 4 Flammen - Gas Backrohr
Gas range 4 burners - gas oven**
vsezip.ru
**Cucina a gas 4 fuochi - forno a gas
Fourneau à gaz 4 feux - four à gaz**

| Code | Beschreibung | Descrizione | Description | Désignation | St/Qty | Start | Finish | Serialnr. |
|------|--------------|--|--|---|---|-------|----------|-----------|
| 1 | 5010114871 | Rundstüberost Inox | Griglia gas s. tavolo inox | Grille inox rond | GH/40 | 2 | | |
| 2 | 5022908810 | Schaltknopf Gas | Manopola gas | Gas knob | Bouton de commande gaz | 4 | | |
| 3 | 5014314880 | Ventilrampe | Rampa valvole | Valve rail | Rampe tubulaire à soupape | 1 | | |
| 4 | 5051204342 | Winkelverschraubung | Raccordo a gomito | Angle fitting | Raccord à vis coudé | 4 | 03/03/97 | 510010 |
| 5 | 5050120709 | Bogen Messing | Gomito ottone | Elbow brass | Raccord coudé en laiton | 4 | | |
| 6 | 5040603188 | Überwurfmutter | Dado | Nut | Ecrou-raccord | 8 | 22/03/96 | |
| 7 | 5050503001 | Doppelkegelring Messing | Bicono | Olive | Joint bicon. | 8 | 22/03/96 | |
| 8 | 5018914348 | Gasventil | Valvola gas | Gas valve | Soupape à gaz | 4 | | |
| 9 | 5029711647 | Magneteinsatz | Magneteinsatz | Magnet insert | Joint magnétique | 4 | | |
| 10 | 5050503573 | Doppelkegelring Pilot | Bicono pilota tubo | Olive pilot pipe | Joint bicon. tuyau de veilleuse | 8 | 22/03/96 | |
| 11 | 5040603572 | Überwurfmutter | Dado | Nut | Ecrou-raccord | 8 | 22/03/96 | |
| 12 | 5041002644 | Schraube 6kt | Vite te esagonale | Hexagon screw | Vis hexagonale | 4 | | |
| 13 | 5028614258 | Regulierhülse Luft | Boccola regolazione aria | Air regulation bracket | Douille de régulation d'air | 4 | | |
| 14 | 5004714244 | Feder Venturi | Molla venturi | Spring venturi | Ressort pour Venturi | 4 | | |
| 15 | 5016914265 | Brenner "C" | Bruciatore "C" | Burner "C" | Brûleur de type "C" | 2 | | |
| 16 | 5018714245 | Flammenverteiler "C" | Spartifiamma "C" | Flame distributor "C" | Chapeur de brûleur type "C" | 2 | | |
| 17 | 5016914267 | Brenner "E" | Bruciatore "E" | Burner "E" | Brûleur de type "E" | 2 | | |
| 18 | 5018714247 | Flammenverteiler "E" | Spartifiamma "E" | Flame distributor "E" | Chapeur de brûleur type "E" | 2 | | |
| 19 | 5017314079 | Dichtung Brenner | Guarnizione bruciatore | Burner seal | Joint d'étanchéité pour brûleur | 4 | | |
| 20 | 5006314268 | Halter Brenner | Supporto bruciatore | Burner holder | Support de brûleur | 4 | | |
| 21 | 5024114591 | Thermofühler 750mm | Termocoppia 750mm | Thermocouple 750mm | Thermocouple 750mm | 4 | | |
| 22 | 5016914238 | Rohr Venturi "C" | Tubo venturi "C" | Tube venturi "C" | Tube de Venturi "C" | 2 | | |
| 23 | 5016914240 | Rohr Venturi "E" | Tubo venturi "E" | Tube venturi "E" | Tube de Venturi "E" | 2 | | |
| 24 | 5024614341 | Wellschlauch Gasbrenner kurz | Tubo flessibile bruc. gas corto | Flexible tube gas burner short | Tuyau flexible brûleur gaz court | 1 | | |
| 25 | 5024614343 | Wellschlauch Gasbrenner lang | Tubo flessibile bruc. gas lungo | Flexible tube gas burner long | Tuyau flexible brûleur gaz long | 2 | | |
| 26 | 5000514956 | Rohr Zündbrenner kurz | Tubo pilota corto | Short pilot burner tube | Tuyau de veilleuse court | 2 | | |
| 27 | 5000514957 | Rohr Zündbrenner lang | Tubo pilota lungo | Long pilot burner tube | Tuyau de veilleuse long | 2 | | |
| 28 | 5024708680 | Zündbrenner | Bruciatore pilota | Pilot burner | Brûleur de veilleuse | 4 | | |
| 29 | 5028510569 | Rohrschelle | Fascetta per tubo | Pipe clamp | Collier de serrage pour tuyau | 4 | 25/01/99 | 702004 |
| 30 | 5004708809 | Feder Zündbrenner | Molla bruciatore pilota | Burner pilot spring | Ressort brûleur de veilleuse | 4 | | |
| 31 | 3006314269 | Halter Zündbrenner | Supporto bruciatore pilota | Burner pilot holder | Support de brûleur de veilleuse | 4 | | |
| 32 | 5004703711 | Feder Thermofühler | Molla termocoppia | Thermocouple spring | Ressort de thermocouple | 4 | | |
| 33 | 5051216765 | Rohrverschraubung gerade Ms. | Raccordo ottone diritto | Straight brass pipe union | Raccord droit vissé en laiton | 1 | 07/12/99 | 749022 |
| 34 | 5005609541 | Griff Absperrhahn | Manopola rubinetto chiusura | Insulation cock handle | Poignée de robinet d'arrêt | 1 | 16/02/00 | 807011 |
| 35 | 5018009540 | Kugelventil 3/4" | Valvola a sfera 3/4" | Ball valve 3/4" | Soupape sphérique 3/4" | 1 | 07/12/99 | 749022 |
| 36 | 5000512115 | Rohr Gasanschluß | Tubo collettore gas | Gas collector tube | Tuyau collecteur gaz | 1 | | |
| 37 | 5024614342 | Wellschlauch Gasbrenner kurz | Tubo flessibile bruc. gas corto | Flexible tube gas burner short | Tuyau flexible brûleur gaz court | 1 | | |
| | | <i>Düsentabellen siehe Bedienungsanleitung</i> | <i>Tabella ugelli vedi manuale d'installazione e d'uso</i> | <i>Jet chart see instruction manual</i> | <i>Tableau des gicleurs voir notice d'emploi et d'entretien</i> | | | |
| A | | Brennerdüse - Brenner "C" | Ugello bruciatore - brucia. "C" | Burner jet - "C" burner | Gicleur pour brûleur de type "C" | 1 | | |

0104915354 Model: GHG/80
**Gasherd 4 Flammen - Gas Backrohr
Gas range 4 burners - gas oven**
**Cucina a gas 4 fuochi - forno a gas
Fourneau à gaz 4 feux - four à gaz**

vsezip.ru

| Code | Beschreibung | Descrizione | Description | Désignation | St/Qty | Start | Finish | Serialnr. |
|------------|--|------------------------------------|-------------------------------|----------------------------------|---------------|-------|--------|-----------|
| B | Brennerdüse - Brenner "E" | Ugello bruciatore - bruciatore "E" | Burner jet - "E" burner | Gicleur pour brûleur de type "E" | 1 | | | |
| C | Zündbrennerdüse - Brenner "C" | Ugello pilota - bruciatore "C" | Pilot burner jet - "C" burner | Gicleur brûleur de veilleuse "C" | 1 | | | |
| D | Zündbrennerdüse - Brenner "E" | Ugello pilota - bruciatore "E" | Pilot burner jet - "E" burner | Gicleur brûleur de veilleuse "E" | 1 | | | |
| E | Minimumdüse - Brenner "C" | Ugello minimo - bruciatore "C" | Minimum jet - "C" burner | Gicleur minimum - brûleur "C" | 1 | | | |
| F | Minimumdüse - Brenner "E" | Ugello minimo - bruciatore "E" | Minimum jet - "E" burner | Gicleur minimum - brûleur "E" | 1 | | | |
| 101 | 3507814858 Kamin | Camino lungo | Chimney long | Cheminée long | ECO/80 | 1 | | |
| 102 | 3511508959 Seitenwand Innen | Fianco laterale interno | Internal side panel | Panneau latéral intérieur | GO/EO/70 | 2 | | |
| 103 | 5010102018 Rost Backrohr verchromt | Griglia cromata forno | Chromium plated grate oven | Grille de four chromée | GN 2/1 | 1 | | |
| 104 | 3502600142 Backblech | Teglia smaltata | Enamelled baking grate | Plaque pâtissière émaillée | S/70/85 | 1 | | |
| 105 | 5001624001 Boden Backrohr | Fondo forno | Oven bottom | Fond de four | GO/70 | 1 | | |
| 106 | 5006311050 Schwenkhaken | Gancio resistenza | Swivelling hook | Crochet relevage de résistance | EY/FE/40M | 1 | | |
| 107 | 5040901011 Linsenschraube | Vite | Oval screw | Vis à tête conique bombée | M6x12 SL INOX | 4 | | |
| 108 | 5012002108 Scharnier links | Cerniera sinistra | Left hinge | Charnière gauche | GB/EB | 1 | | |
| 109 | 5012002196 Scharnier rechts | Cerniera destra | Right hinge | Charnière droite | GB/EB | 1 | | |
| 110 | 3513417201 Tür Backrohr | Porta forno | Oven door | Porte four | GO/EO/70 | 1 | | |
| 111 | 5000514997 Rohr Griff Backrohr | Tubo maniglia forno | Oven handle tube | Tube cyl. pour poignée de four | EB/GB/90 | 1 | | |
| 112 | 5005614999 Halter Griff | Supporto maniglia | Handle holder | Support de poignée | S/90 | 2 | | |
| 113 | 5006302092 Halter Scharnier | Supporto cerniera | Hinge holder | Support de charnière | GB/EB | 2 | | |
| 114 | 3000808905 Abdeckung brenner | Copertura fondo gas | Bottom cover gas | Recouvrement de fond gaz | GO/70 | 1 | | |
| 115 | 5060408640 Piezozünder | Accensione piezo | Piezo lightning | Allumeur piézo-électrique | PZ 10006 | 1 | | |
| 116 | 5051203187 Rohrverschraubung Gasventil | Raccordo valvola gas | Pipe union gas valve | Raccord fileté soupape à gaz | D=4 | 1 | | |
| 117 | 3518912730 Gasventil Eurosit | Valvola gas 0,35 | Gas valve 0,35 | Soupape à gaz 0,35 | | 1 | | |
| 118 | 5050200943 Blindstopfen Eurosit | Tappo Eurosit | Capscrew Eurosit | Tampon borgne Eurosit | 3/8" | 2 | | |
| 119 | 5029715229 Magneteinsatz | Inserto magnetico | Magnet insert | Joint magnétique | | 1 | | |
| 120 | 5051220038 Rohrverschraubung Messing | Raccordo ottone | Brass pipe union | Raccord vissé en laiton | MS 3/8">12 | 1 | | |
| 121 | 5051204005 Winkelverschraubung | Raccordo a gomito | Angle fitting | Raccord à vis coudé | MS 3/8">12 | 1 | | |
| 122 | 5050503573 Doppelkegelring Pilot | Bicono pilota tubo | Olive pilot pipe | Joint bicon. tuyau de veilleuse | Pel D=4 | 1 | | |
| 123 | 5040603572 Überwurfmutter | Dado | Nut | Ecrou-raccord | Pel D=4 | 1 | | |
| 124 | 5000514941 Rohr Zündbrenner | Tubo pilota | Pilot burner tube | Tuyau de veilleuse | GPS/80 | 1 | | |
| 125 | 5024108855 Thermofühler 1200mm | Termocoppia 1200m | Thermocouple 1200 | Thermocouple | | 1 | | |
| 126 | 5006308857 Halter Düse - Rohr | Raccordo ugello tubo | Jet pipe holder | Support tube - gicleur | GO/70 | 1 | | |
| 127 | 5016908867 Brenner Backrohr | Bruciatore forno | Oven burner | Brûleur de four | GO/70 | 1 | | |
| 128 | 3010008937 Regulierblech Luft | Lamiera regolazione aria | Air regulation plate | Tôle de régulation d'air | CP/75 | 1 | | |
| 129 | 5040200539 Beilagscheibe | Rondella | Washer | Rondelle de calage | D=5,3x15 INOX | 3 | | |
| 130 | 5040102670 Zahnscheibe | Rondella dentellata | Crown gear | Rondelle dentée | A. D=5,1 | 3 | | |
| 131 | 5041720607 Zylinderschraube | Vite tc | Cylinder screw | Vis à tête cylindrique | KSL 4,8x13 | 3 | | |
| 132 | 5024703475 Zündbrenner 3 Weg 4mm | Bruciatore pilota 3 vie 4mm | Pilot burner 3 ways 4mm | Brûleur de veilleuse 3voies 4mm | SIT | 1 | | |
| 133 | 5062607632 Zündkerze | Candela accensione | Sparking plug | Bougie d'allumage | SIT | 1 | | |
| 134 | 5004712748 Feder Körper Zündbrenner | Molla corpo pilota | Burner pilot body spring | Ressort corps brûleur veilleuse | 100 | 1 | | |
| 135 | 5040309060 Mutter FE 6kt | Dado FE esagonale | Hexagon iron nut | Ecrou hexagonal en fer | 16x1,5x4 | 1 | | |

0104915354 Model: GHG/80
Gasherd 4 Flammen - Gas Backrohr
Gas range 4 burners - gas oven

vsezip.ru

Cucina a gas 4 fuochi - forno a gas
Fourneau à gaz 4 feux - four à gaz

+7(812)987-08-81

| Code | Beschreibung | Descrizione | Description | Désignation | St/Qty | Start | Finish | Serialnr. |
|----------|--|--|---|---|--------|-------|--------|-----------|
| | <i>Düsentabellen siehe Bedienungsanleitung</i> | <i>Tabella ugelli vedi manuale d'installazione e d'uso</i> | <i>Jet chart see instruction manual</i> | <i>Tableau des gicleurs voir notice d'emploi et d'entretien</i> | | | | |
| A | Brennerdüse | Ugello bruciatore | Burner jet | Gicleur de brûleur | 1 | | | |
| B | Düse Zündbrücke | Ugello rampa interaccensione | Ignition bridge jet | Gicleur de rampe interallumage D=0,2 | 1 | | | |