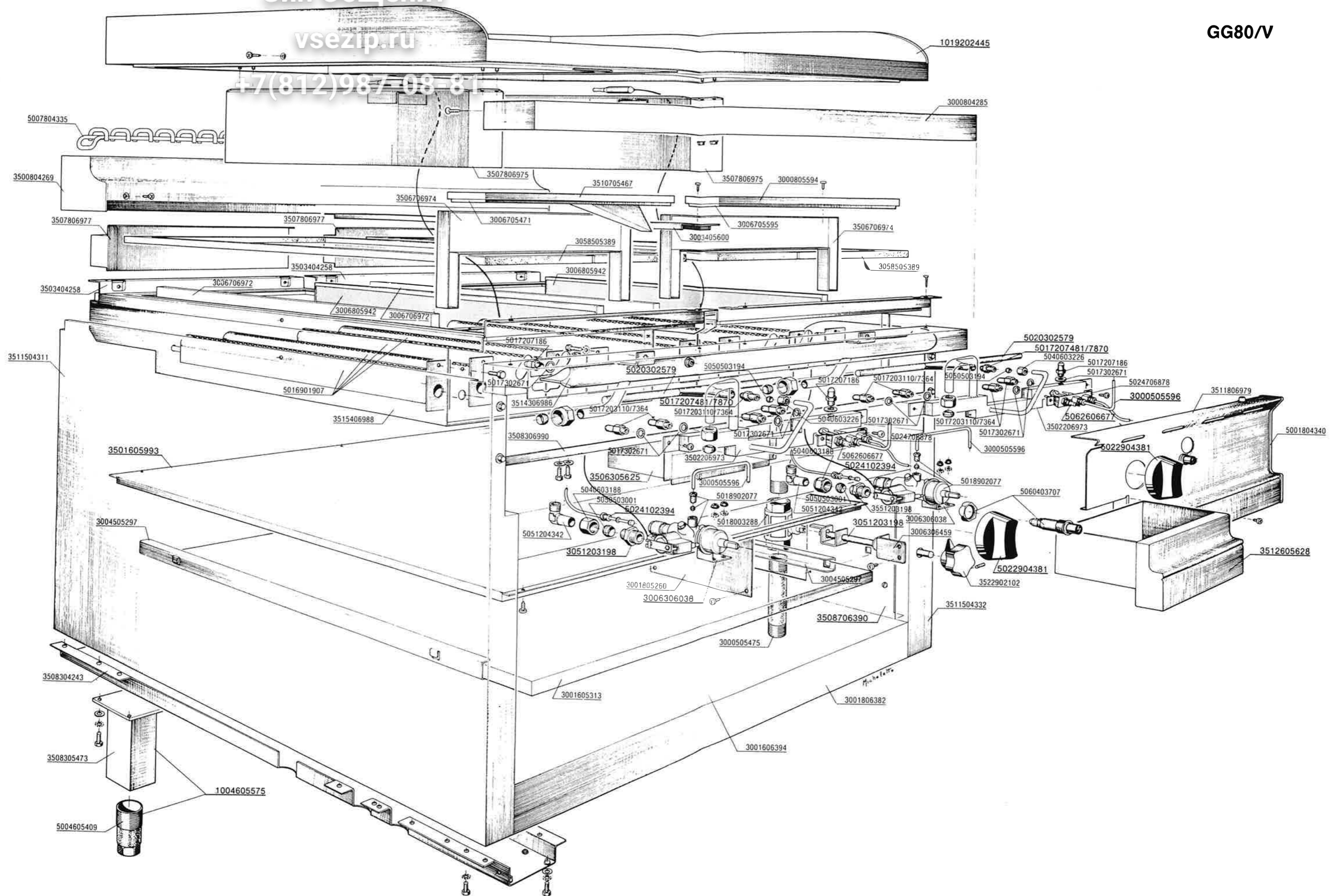


Зип Общежит

vsezip.ru

+7(812)987-08-81

GG80/V



EINSATZTEILLISTE		LISTA PARTICOLARI	LIST OF PARTS	LIST DES COMPOSANTS	26.07.91
COD.	BESCHREIBUNG	DESCRIZIONE	DESCRIPTION	DESCRIPTION	QUANT.
0105006817	GAS-GRILLHERD	BESTECCHEPIA GAS	GAS GRILL	GRILL GAZ	GG/80-V PAG. 1
3000505475	ROHR VERLÄNGERUNG	TUBO RACCORDO	PIPE FITTING	TUYAU RACCORD	G/85 1
3000505596	ROHR ZÜNDBRENNER	TUBO PILOTA	PILOT PIPE	TUYAU VEILLEUSE	GG/ZG/40 2
3000506884	ROHRSTUTZEN GASANS.	TUBO RACCORDO GAS	GAS PIPE FITTING	TUYAU RACCORD GAZ	G/85 1
3000506970	ROHR ZU GASVENTIL	TUBO RACCORDO VALV.	VALVE PIPE FITTING	TUYAU RACCORD SOUP.	GG/40/80/V 2
3000804285	ABDECKUNG EINFASS.	CRUSCOTTO PIANO	HOB PANEL	TABLEAU PLAN	G/80 1
3000804292	ABDECKUNG SEITE L.	CRUSCOTTO LATER.S.	PANEL LH SIDE	TABLEAU COTE GCH.	G/85 1
3000805594	ABDECKUNG ISOLIER.	CRUSCOTTO ISOLAZ.	INSULATING PANEL	TABLEAU ISOLATION	ZG/40/80 1
3000808271	ABDECKUNG SEITE R.	CRUSCOTTO LATER.D.	PANEL RH SIDE	TABLEAU COTE DROIT	G/85 1
3001006466	ANSCHLAG WELLE	ARRESTO ASSE	SHAFT STOP	ARRET AXE	G/85 1
3001605313	BODEN MITTELFACH	FONDO TRAMEZZA	BOTTOM PARTITION	FOND CLOISON	UBO/UBW/80 1
3001606394	BODEN UB OFFEN	FONDO INF.APERTO	BOTTOM LOWER OPEN	FOND INF.OUVERT	UBO/80 1
3001805260	BLENDE ANSCHLUSS	CRUSCOTTO ALLACC.	PANEL CONNECTIONS	TABLEAU BRANCHEMEN.	UBO/UBW/85 1
3001806382	BLENDE UNTEN	CRUSCOTTO INF.	PANEL BOTTOM	TABLEAU INF.	UBO/80 1
3001806386	BLENDE OBEN	CRUSCOTTO SUP.	PANEL TOP	TABLEAU SUP.	UBO/80 1
3003405600	EINFASSUNG VERB.	FASCIA RACCORDO	CONNECTION STRIP	BANDE RACCORD	G/85 2
3004505297	SCHIENE GN	GUIDA GN	GUIDE GN	GUIDE GN	UBO/UBW 2
3004605432	FUSS VIERKANTROHR	PIEDINO ESTERNO	FOOT EXTERNAL	PIED EXTERNE	G/85 4
3005605479	GRIFF SCHALTBL.L.	MANIGLIA PANNEL.S.	HANDLE LH PANEL	POIGNEE PANNEAU G.	GG/80 1
3005608325	GRIFF SCHALTBL.R.	MANIGLIA PANNEL.D.	HANDLE RH PANEL	POIGNEE PANNEAU D.	GG/80 1
3006305343	HALTER VENTILRAMPE	SUPPORTO RAMPA VAL.	VALVE BRIDGE SUPT.	SUPPORT PONT SOUPA.	G/85 2
3006306038	HALTER GASVENTIL	SUPPORTO VALVOLA	VALVE SUPPORT	SUPPORT SOUPAPE	BG/85 2
3006306109	HALTER EINFASSUNG	SUPPORTO PIANO	HOB SUPPORT	SUPPORT PLAN	G/85 2
3006306453	HALTER HAHN	SUPPORTO RUBINETTO	COCK SUPPORT	SUPPORT ROBINET	G/85 1
3006306459	HALTER WELLE	SUPPORTO ASTA	ROD SUPPORT	SUPPORT AXE	UBO/40/80 1
3006705471	ISOLIERBLECH RINNE	LAMIERA ISOL.CANAL	CHANN.INSUL. PLATE	TOLE ISOLAT.CANNELURE.	GG/GE/80 1
3006705595	ISOLIERBLECH OBEN	LAMIERA ISOLA.SUP.	INSULAT.PLATE TOP	TOLE ISOLATION SUP.	ZG/40 1
3006706972	ISOLIERBLECH SEITE	LAMIERA ISOL.LAT.	INSULAT.PLATE SIDE	TOLE ISOL.COTE	GG/40/80/V 4
3006805941	ISOLIERUNG VORNE	ISPLAZIONE ANT.	INSULATION FRONT	ISOLATION AVANT	GG/ZG 2
3006805942	ISOLIERUNG SEITE	ISOLAZIONE LATO	INSULATION SIDE	ISOLATION COTE	GG/ZG 4
3007805597	KAMIN INNEN	CAMINO INTERNO	FLUE INTERNAL	CHEMINEE INTERNE	GG/ZG/40 2
3008304247	TRÄGER EINFASSUNG	PORTANTE FASCIA	CONNECT.STRIP SUPT	PORTANT BANDE	G/80 1
3008305647	TRÄGER LÄNGS HINT.	PORTANTE LON. POST	MEMBER LONGIT.REAR	PORTANT LON. ARRIE.	ZG/80 1
3010002581	REGULIERBLECH LUFT	LAMIERA REGOLAZIONE	ADJUSTMENT PLATE	TOLE REGLAGE	GG 8
3010602452	RAHMENTEIL VORNE	TELAIO PIATTO ANT.	FRAME FRONT PLATE	CHASSIS PLAT AVANT	GV/40/80-V 2
3010602458	RAHMEN HINTEN	TELAIO POSTERIORE	FRAME REAR	CHASSIS ARRIERE	GV/80 1
3010602459	RAHMEN SEITE L.	TELAIO LATERALE S.	FRAME LH SIDE	CHASSIS COTE GAUCH.	GV/40/80-V 1
3010608342	RAHMEN SEITE R.	TELAIO LATERALE D.	FRAME RH SIDE	CHASSIS COTE DROIT	GV/40/80-V 1
3010702449	RINNE GRILLPLATTE	CANALETTO BESTECC.	GRILL PLATE CHANN.	CANNELURE GRILL	GV/80 1
3014204295	VERSTÄRKUNG RÜCKW.	RINFORZO SCHIENA	STIFFENER BACK	RENFORT DOS	G/80-160 1
3014205410	VERSTÄRKUNG TRÄG.V.	RINFORZO PORT.A.	STIFFEN. DOOR FRNT.	RENFORT PORTE AVT.	GG/GP/80 1
3014205434	VERSTÄRKUNG TRÄG.H.	RINFORZO PORT.P.	STIFFEN. DOOR REAR	RENFORT PORTE ARR.	GG/GP/80 1
3051203198	VERSCHRAUBUNG	RACCORDO DIRITTO	STRAIGHT FITTING	RACCORD DROIT	GG/40/80-V 2
3058505389	DICHTPROFIL 1,92m	GUARNIZIONE 1,92m	GASKET 1.92m	JOINT TORIQUE 1,92m	ZG 2

	ERSATZTEILLISTE	LISTA PARTICOL.	ARTS	LIST DES COMPOSANTS	26.07.91
	GAS-GRILLHERD	BISTECCHIERA GAS	GRILL	GRILL GAZ	GG/80-V PAG. 2
COD.	BESCHREIBUNG	DESCRIZIONE	DESCRIPTION	DESCRIPTION	QUANT.
3500804269	ABDECKUNG KAMIN	CRUSCOTTO CAMINO	PANEL FLUE	TABLEAU CHEMINEE	GG/ZG/80 1
3500805332	ABDECKUNG KAMIN N	CRUSCOTTO CAMINO N	FLUE BLANK PANEL	TABLEAU CHEMINEE N	G/80 1
3501106455	WELLE HAHN	ASTA RUBINETTO	COCK ROD	TIGE ROBINET	UBC/40/80 1
3501605993	BODEN OBEN	FONDO SUPERIORE	BOTTOM UPPER	FOND SUPERIEUR	GG/80 1
3502206973	BRENNERRAMPE	RAMPA BRUCIATORI	BURNER BRIDGE	PONT BRULEURS	GG/40/80-V 2
3503404258	EINFASSUNG	PIANO DI COTTURA	HOB	PLAN DE CUISSON	GG/40 2
3506305625	HALTER ÖLLADE	SUPPORTO CASS.OLIO	OIL PAN SUPPORT	SUPPORT TIROIR HUI.	GG/80 1
3506706974	ISOLIERBLECH VORNE	LAMIERA 'SOL.ANT.	INSUL. PLATE FRONT	TOLE ISOL.AVANT	GG/40/80-V 2
3507806975	KAMIN GRILLHERD	CAMINO	FLUE	CHEMINEE	GG/40/80-V 2
3507806976	KAMIN WANNE	CAMINO VASCA	PAN FLUE	CHEMINEE CUVE	GG/40/80-V 2
3507806977	KAMINSTUTZEN	RACCORDO CAMINO	FLUE FITTING	RACCORD CHEMINEE	GG/40/80-V 2
3508304243	TRÄGER QUER UNT.L	PORTANTE TRAS.INF.	MEMBER CROSS BOT.LH	PORTANT TRANS.INF.G.	G/85 1
3508305473	TRÄGER FUSS	SUPPORTO PIEDE	FOOT SUPPORT	SUPPORT PIED	G/85 4
3508306990	TRÄGER LÄNGS VORNE	PORTANTE LONG.ANT.	MEMBER LONG. FRONT	PORTANT LONG.AVANT	GG/80/V 1
3508308224	TRÄGER QUER UNT.R.	PORTANTE TRAS.INF.D.	MEMBER CROSS BOT.RH	PORTANT TRANS.INF.D.	G/85 1
3508706390	MANTEL INNEN	MANTELLINO INTERNO	JACKET INTERNAL	MANTEAU INTERNE	UBO/80 1
3509704298	RÜCKWAND	SCHIENA	BACK	DOS	G/80 1
3510602450	RAHMEN GRILLPLATTE	TELAIO BISTECCHIERA	GRILL FRAME	CHASSIS GRILL	GG/40/80/V 2
3510705467	ÖLRINNE	CANALETTO OLIO	OIL CHANNEL	CANNELURE HUILE	GG/GE/80 1
3511504311	SEITENWAND OFFEN L.	FIANCO APERTO SIN.	SIDE OPEN LEFT	COTE OUVERT GAUCHE	G/80 1
3511504332	SEITENWAND OFFEN R.	FIANCO APERTO DEST.	SIDE OPEN RIGHT	COTE OUVERT DROIT	G/85 1
3511806979	SCHALTBLLENDE	PANNELLO COMANDO	CONTROL PANEL	PANNEAU COMMANDE	GG/80/V 1
3512605628	ÖLLADE	CASSETTO OLIO	IL PAN	TIROIR HUILE	GG/80 1
3514306986	VENTILRAMPE	RAMPA VALVOLE	VALVE BRIDGE	PONT SOUPAPES	GG/80/V 1
3515406988	WANNE BRENNER	VASCA BRUCIATORI	BURNER PAN	CUVE BRULEURS	GG/40/80-V 2
3522902102	SCHALTKNOPF ABSPER.	MANOPOLA CHIUSURA	STOP COCK	POIGNEE FERMETURE	G/85 1
3540803661	GEWINDESTIFT M4x9,2	PERNO FILETTATO M4x9,2	THREADED PIN M4x9.2	PIVOT FILETE M4x9,2	GG/V 2
5001804340	BLLENDE-ABSCHLUSS	TERMINALE CRUSCOTTO	PANEL ENDPICCE	EXTREMITE TABLEAU	S/85 4
5004605409	FUSS VERSTELLBAR	PIEDINO REGOLABILE	ADJUSTABLE FOOT	PIED REGLABLE	G/85 4
5007804335	KAMIN ROST	GRIGLIA CAMINO	FLUE GRILL	GRILLE CHEMINEE	G/85 2
5016901907	BRENNER 239/10 500mm	BRUCIATORE 239/10 500mm	BURNER 239/10 500mm	BRULEUR 239/10 500mm	GG/40/V 8
5017203046	DÜSE MINIMUM	UGELLO MINIMO 130 TKW	JET MINIMUM 130 TKW	GICLEUR RALENTI	130 TKW 2
5017203110	DÜSE BRENNER	UGELLO BRUCIATORE AL 70 N	BURNER JET AL 70 N	GICLEUR BRULEUR	AL 70 N 8
5017207186	DRUCKMESSDÜSE	PRESA DI PRESSIONE OT 58	PRESSURE TAKE-OFF BRASS 58	PRISE DE PRESSION	OT 58 3
5017207364	DÜSE BRENNER	UGELLO BRUCIATORE AL 115 N	BURNER JET AL 115 N	GICLEUR BRULEUR	AL 115 N 8
5017207481	DÜSE ZÜNDBRÜCKE	UGELLO RAMPA ACCENSIONE T 80	LIGHTING BRIDGE JET T 80	GICLEUR PONT ALLUMAGE	T 80 2
5017207870	DÜSE ZÜNDBRÜCKE	UGELLO RAMPA ACCENSIONE T 40	LIGHTING BRIDGE JET T 40	GICLEUR PONT ALLUMAGE	T 40 2
5017207877	DÜSE ZÜNDBRENNER	UGELLO PILOTA G 27	PILOT JET G 27	GICLEUR VEILLEUSE	G 27 2
5018003288	KUGELVENTIL 3/4"	VALVOLA A SFERA 3/4"F-F SERIE	BALL VALVE 3/4"F-F SERIES	CHAPET A BILLE 3/4"F-F SERIE	DIN - DVGW 1
5018902077	GASVENTIL 100o-200o	VALVOLA GAS 100o-200o	GAS VALVE 100o-200o	SOUPAPE GAZ 100o-200o	2
5019202571	GRILLPLATTE VERCHR.	BISTECCHIERA CROMATA	CHROME-PLATED GRILL	GRILL CHROME	GV/80 1
5020302579	ZÜNDBRÜCKE 290mm	RAMPA ACCENSIONE 290mm	LIGHTING BRIDGE 290mm	PONT ALLUMAGE 290mm	GG/40/V 2
5022902035	SCHALTKNOPF ABZUG	VOLANTINO CON INDICE	KNOB WITH INDEX	VOLANT AVEC INDICAT.	BE/85I 1

COD.	BESCHREIBUNG	DESCRIZIONE	DESCRIPTION	DESCRIPTION	QUANT.
0105006817	GAS-GRILLHERD	BISTECCHIERA GAS	GAS GRILL	GRILL GAZ	GG/80-V PAG. 3
5022904381	SCHALTKNOPF GAS	MANOPOLA GAS	GAS KNOB	POIGNEE GAZ	GG/V 2
5024102394	THERMOFÜHLER 450mm	TERMOCOPPIA 450mm	THERMOCOUPLE 450mm	THERMOCOUPLE.450mm	GZ/GBP 2
5024706878	ZÜNDBRENNER 3-WEG 4mm	PILOTA D'ACCENSIONE 3-VE 4mm	LIGHTING PILOT 3-WAY	VEILLEUSE D'ALLUMAGE 3 S.	ZG/GG 2
5040603188	ÜBERWURFMUTTER	DADO ES M20x1,5>12	NUT HEX M20x1.5>12	ECROU ES M20x1,5>12	M20x1,5>12 2
5040603226	ÜBERWURFMUTTER 6 KANT	DADO PER BICONO OT.M 10x1>6	NUT FOR OLIVE BRASS M 10x1>6	ECROU POUR BICONE LAIT.M	M10x1-6 2
5041803843	ZYLINDERSCHR.SL	VITE TC M4x8 CL 4.8 ZINC.	SCREW TC M4x8 CL 4.8 GALV.	VIS TC M4x8 CL 4.8 ZINGUEE	M4x8 KL4.8 2
5050503001	DOPPELKEGELRING	BICONO OTTONE D=12	OLIVE BRASS	BICONE LAITON	MS D=12 2
5050503194	DOPPELKEGELRING	BICONO OTTONE D=6	OLIVE BRASS	BICONE LAITON	MS D=6 2
5051204342	WINKELVERSCHRAUBUNG	RACCORDO A GOMITO	ELBOW FITTING GF/12>12	RACCORD COUDE	GF/12>12 2
5060403707	PIEZOZÜNDER	ACCENSIONE PIEZO	PIEZO LIGHTING RV 1174-03	ALLUMAGE PIEZO	RV 1174-03 2
5061003549	KABEL ZÜNDUNG 340	CAVO ACCENSIONE 340mm	LIGHTING CABLE 340mm	CABLE ALLUMAGE 340mm	S/85 1
5061003550	KABEL ZÜNDUNG 740	CAVO ACCENSIONE 740mm	LIGHTING CABLE 740mm	CABLE ALLUMAGE 740mm	S/85 1
5062606677	ZÜNDKERZE RUND	CANDELETTA ACCENSIONE	LIGHTING PLUG	BOUGIE ALLUMAGE	FG/GF 2
5207400705	HOLZVERSCHLAG	IMBALLO LEGNO	WOODEN CRATE	EMBALLAGE BOIS	S/80 1