



ERSATZTEILLISTE		LISTA ARTICOLARI	LIST OF PARTS	LIST DES COMPOSANTS	26.07.91	
0107005930	GAS-KOCHKESSEL	PENTOLA GAS	GAS KETTLE	MARMITE GAZ	KKG/100	PAG.1
COD.	BESCHREIBUNG	DESCRIZIONE	DESCRIPTION	DESCRIPTION	QUANT.	
3000505170	ROHR ISOLIERUNG	TUBO ISOLAZIONE	INSULATING TUBE	TUYAU ISOLATION	KKG	1
3000505171	ROHR VERBINDUNG	TUBO RACCORDO	PIPE FITTING	TUYAU RACCORD	KKG/KEW	1
3000505248	ROHR ZUFUHR WARMW.	TUBO CARICO ACQUA CALDA	HOT WATER INTAKE PIPE	TUYAU ARRIVEE EAU CHAUD	KK	1
3000505249	ROHR ZUFUHR KALTW.	TUBO CARICO ACQUA FREDDA	COLD WATER INTAKE PIPE	TUYAU ARRIVEE EAU FROIDE	KK	1
3000505250	ROHR VERBINDUNG	TUBO RACCORDO ACQUA	WATER PIPE FITTING	TUYAU RACCORD EAU	KK	1
3000505251	ROHR ÜBERLAUF	TUBO SCARICO	DRAIN PIPE	TUYAU DECHARGE	KK	1
3000505252	ROHR ZÜNDBRENNER	TUBO ACCENSIONE	LIGHTING PIPE	TUYAU ALLUMAGE	KKG/100	1
3000506884	ROHRSTUTZEN GASANS.	TUBO RACCORDO GAS	GAS PIPE FITTING	TUYAU RACCORD GAZ	G/85	1
3000800696	ABDECKUNG MANTEL H.	CRUSCOTTO MANTELLO POST.	JACKET PANEL REAR	TABLEAU MANTEAU ARRIERE	KKG	1
3000804285	ABDECKUNG EINFASS.	CRUSCOTTO PIANO	HOB PANEL	TABLEAU PLAN	G/80	1
3000804292	ABDECKUNG SEITE L.	CRUSCOTTO LATER.S.	PANEL LH SIDE	TABLEAU COTE GAUCH.	G/85	1
3000805395	ABDECKUNG SCHALTBL.	PROTEZIONE COMANDI	CONTROL COVER	PROTECTION COMMANDES	KK	1
3000805495	ABDECKUNG E.VENTIL	PROTEZIONE VALV.EL.	SOL. VALVE COVER	PROTECTION SOUP.ELEC.	KKG/75/100	1
3000806319	ABDECKUNG AUSLAUF	PROTEZIONE SCARICO	DRAIN COVER	PROTECTION DECHARG.	KKG	1
3000808271	ABDECKUNG SEITE R.	CRUSCOTTO LATER.D.	PANEL RH SIDE	TABLEAU COTE DROIT	G/85	1
3001105257	WELLE DECKELHUB	ASSE ALZACOPERCHIO	SHAFT COVER LIFT	AXE LEVE COUVERCLE	KK	1
3001105258	WELLE FEDER INNEN	ASSE MOLLA INTERNA	SHAFT INT. SPRING	AXE RESSORT INTERNE	KK	1
3001106215	WELLE GRIFF	PERNO MANIGLIA	HANDLE PIN	PIVOT POIGNEE	KK	1
3001805189	BLENDE SCHAULOCH	PANNELLO SPIA	INDICATOR PANEL	PANNEAU TEMOIN	KKG/75/100	1
3001805379	BLENDE MITTE	PANNELLO CENTRALE	PANEL CENTRE	PANNEAU CENTRAL	KKG/100	1
3003405600	EINFASSUNG VERB.	FASCIA RACCORDO	CONNECTION STRIP	BANDE RACCORD	G/85	1
3004605432	FUSS VIERKANTROHR	PIEDINO ESTERNO	FOOT EXTERNAL	PIED EXTERNE	G/85	4
3005605181	GRIFF SCHALTBLLENDE	MANIGLIA PANNELLO	PANEL HANDLE	POIGNEE PANNEAU	KK	1
3005705446	GEGENBLLENDE SCHAUL.	CONTROBOMBATO SPIA	INDIC.COUNTER-PLAT.	ARRIERE TEMOIN	KKG/75/100	1
3006300059	HALTER BRENNERR.	SUPPORTO RAMPA	BRIDGE SUPPORT	SUPPORT PONT	S/70/85	2
3006305169	HALTER ISOL.HINT.L.	SUPPORTO ISOL.P.S.	SUPT.INSUL.REAR LH	SUPPORT ISOL.ARR.G	KKG	1
3006305194	HALTER ISOL.VORNE	SUPPORTO ISOL.ANT.	SUPT.INSUL.FRONT	SUPPORT ISOL.AVANT	KKG	1
3006305197	HALTER ZÜNDBRÜCKE	SUPPORTO BRUC.ACC.	LIGHTING BURN.SUPT	SUPPORT BRULE.ALL.	KKG	1
3006305504	HALTER CERA PAPER	SUPPORTO CERA PAP.	SUPPORT CERA P.	SUPPORT CERA PAP.	KKG/75/100	2
3006305633	HALTER SICH.THERM.	SUPPORTO LIMITAT.	LIMITER SUPPORT	SUPPORT LIMITEUR	KKG	1
3006306109	HALTER EINFASSUNG	SUPPORTO PIANO	HOB SUPPORT	SUPPORT PLAN	G/85	2
3006306320	HALTER VENTIL	SUPPORTO VALVOLA	VALVE SUPPORT	SUPPORT SOUPAPE	KKG	1
3006306449	HALTER KUGELVENTIL	SUPPORTO VALV.SFER.	BALL VALVE SUPPORT	SUPPORT SOUP.SPHER.	KKG/75/100	1
3006306453	HALTER HAHN	SUPPORTO RUBINETTO	COCK SUPPORT	SUPPORT ROBINET	G/85	1
3006308331	HALTER ISOL.HINT.R.	SUPPORTO ISOL.P.D.	SUPT.INSUL.REAR.RH	SUPPORT ISOL.ARR.D.	KKG	1
3006801979	ISOLIERPLATTE KLEMME 3-POLIG	ISOLAZIONE MORSETTO 3 POLI	INSULATION 3-POLE TERMINAL	ISOLATION BORNE 3 POLES		1
3006805080	ISOLIERUNG SCHAUL.	ISOLAZIONE SPIA	INDIC. INSUL.	ISOLATION TEMOIN	KKG/75/100	1
3006805081	ISOLIERUNG E.VENT.	ISOLAZIONE VALV.EL.	SOL.VALVE INSUL.	ISOLATION SOUP.ELE.	KKG/75/100	1
3006805192	ISOLIERUNG CERA P.	ISOLAZIONE CERA P. 620x400	INSULATION CERA P. 620x400	ISOLATION CERA P. 620x400	620x400	1
3006805195	ISOLIERUNG WEISS	ISOLAZIONE BIANCA 2000x600	INSULATION WHITE 2000x600	ISOLATION BLANCHE	2000x600	1
3008304247	TRÄGER EINFASSUNG	PORTANTE FASCIA	CONNECT.STRIP SUPT.	PORTANT BANDE	G/80	1
3008305184	TRÄGER LÄNGS UNTEN	PORTANTE LON.INF.	MEMBER LONG.BOTTOM	PORTANT LON.INF.	KK	1
3008705191	MANTEL AUSSEN	MANTELLO ESTERNO	JACKET OUTER	MANTEAU EXTERNE	KKG/100	1

COD.	BESCHREIBUNG	DESCRIZIONE	DESCRIPTION	DESCRIPTION	QUANT.
0107005930	GAS-KOCHKESSEL	PENTOLA GAS	GAS KETTLE	MARMITE GAZ	KKG/100 PAG.2
3008705193	MANTEL ISOL. KAMIN	MANTELLINO ISOL. CAMIN	JACKET FLUE INSUL.	MANTEAU ISOL. CHEMIN.	KKG/100
3008905255	LAGER DECKELHUB L.	SUPPORTO CERN. SIN.	HINGE SUPPORT LH	SUPPORT CHARN. GCHE	KK 1
3008905256	LAGER DECKELHUB R.	SUPPORTO CERN. DEST.	SUPPORT RH HINGE	SUPPORT CHARN. DRT.	KK 1
3009606852	STIFT ANSCHLAG DECKEL	PERNO BATTUTA COPERCHIO	COVER THRUST PIN	PIVOT BUTEE COUVERCLE	KK 2
3009705218	RÜCKWAND	SCHIENA	BACK	DOS	KK 1
3010002581	REGULIERBLECH LUFT	LA MIERA REGOLAZIONE	ADJUSTMENT PLATE	TOLE REGLAGE	GG 4
3011805174	SCHALTBLLENDE UNTEN	PANNELLO COMAN. INF.	CONTROL PANEL BOTT	PANNEAU COMMAN. INF	KKG/100 1
3014201570	VERSTÄRKUNG EINLAUF	RINFORZO CARIC. ACQ.	WATER INTAKE STIFF	RENFORT ARRIVE. EAU	KK 1
3022203247	ROSETTE INOX 1"	GHIERA INOX 1"	RING STAINLESS STEEL 1"	FRETTE INOX 1"	KK 1
3022205178	ROSETTE AUSLAUFHAHN	GHIERA	RING	FRETTE	KK 1 1/2" 1
3040406163	MUTTER DECKELHUB	DADO ALZACOPERCHIO	NUT COVER LIFT	ECROU LEVE COUVERCL	KK 1
3051205188	ROHRVERSCHRAUBUNG	RACCORDO VALVOLA	VALVE FITTING	RACCORD SOUPE	KKG/75/100 1
3500505190	ROHR GASANSCHLUSS	TUBO ATTACCO GAS	GAS CONNECT. PIPE	TUYAU ARRIVEE GAZ	KKG 1
3500805182	ABDECKUNG KAMIN	CRUSCOTTO CAMINO	PANEL FLUE	TABEAU CHEMINEE	HGE/GPE/80 1
3500805332	ABDECKUNG KAMIN N	CRUSCOTTO CAMINO N	FLUE BLANK PANEL	TABEAU CHEMINEE N.	G/80 1
3501106349	WELLE HAHN	ASTA RUBINETTO	COCK ROD	TIGE ROBINET	BF 1
3501605185	BODEN	FONDO	BOTTOM	FOND	KKG 1
3502205187	BRENNERRAMPE	RAMPA BRUCIATORI	BURNER BRIDGE	PONT BRULEURS	KKG/100 1
3507805196	KAMIN	CAMINO	FLUE	CHEMINEE	KKG/100 1
3508304243	TRÄGER QUER UNT.L	PORTANTE TRAS. INF.	MEMBER CROSS BOT. I H	PORTANT TRANS. INF. G	G/85 1
3508305183	TRÄGER LÄNGS VORNE	PORTANTE LONG. ANT.	MEMBER LONG. FRONT	PORTANT LONG. AVANT	KK 1
3508305473	TRÄGER FUSS	SUPPORTO PIEDE	FOOT SUPPORT	SUPPORT PIED	G/85 4
3508308224	TRÄGER QUER UNT.R.	PORTANTE TRAS. INF. D.	MEMBER CROSS BOT. RH	PORTANT TRANS. INF. D	G/85 1
3510605186	RAHMEN BRENNER	TELAIO BRUCIATORI	BURNER FRAME	CHASSIS BRULEURS	KKG/100 1
3511505608	SEITENWAND LINKS	FIANCO SINISTRO	SIDE LH	COTE GAUCHE	KK 1
3511508229	SEITENWAND RECHTS	FIANCO DESTRO	SIDE RH	COTE DROIT	KK 1
3511805173	SCHALTBLLENDE	PANNELLO COMANDO	CONTROL PANEL	PANNEAU COMMANDE	KKG/100 1
3512005254	SCHARNIER DECKEL	CERNIERA COPERCHIO	COVER HINGE	CHARNIERE COUVERCL.	KK 1
3522902102	SCHALTKNOPF ABSPER.	MANOPOLA CHIUSURA	STOP COCK	POIGNEE FERMETURE	G/85 1
3528605198	HÜLSE THERMOSTAT	GUAINA TERMOSTATO	THERMOSTAT SHEATH	GAINIE THERMOSTAT	KKG 1
3551003924	NIPPEL AUSL. 1 1/2"	NIPPLO SCAR. 1 1/2"	NIPPLE DRAIN 1 1/2"	NIPPLE DECH. 1 1/2"	KK 1
5000508009	ROHR WASSEREINLAUF	TUBO EROGAZIONE ACQUA 1/2"	WATER SUPPLY PIPE	TUYAU DISTRIBUT. EAU	1/2" 90° 1
5000804444	ABDECKUNG AUSLAUF 1"1/2	FILTRO SCARICO PENTOLA 1"1/2	KETTLE DRAIN FILTER	FILTRE DECHARGE MARMIT. 1"1/2	KK 1
5001804340	BLLENDE-ABSCHLUSS	TERMINALE CRUSCOTTO	PANEL ENDPiece	EXTREMITÉ TABLEAU	S/85 2
5003104149	DECKEL DOPPELWANDIG	COPERCHIO + CONTROBOMBATO	COVER + COUNTER-PLATE	COUVERCLE + INTERIEUR	KK 1
5004605409	FUSS VERSTELLBAR	PIEDINO REGOLABILE	ADJUSTABLE FOOT	PIED REGLABLE	G/85 4
5004705386	FEDER DECKELHUB	MOLLA ALZACOP.	COVER LIFT SPRG.	RESSORT LEVE COUV	KK/75/100/130 1
5005607354	GRIFF DECKEL I 280/65 M10	MANIGLIA I 280/65 M10	HANDLE I 280/65 M10	POIGNEE I 280/65 M10	KK 1
5007004321	KOCHKESSEL	PENTOLA A GAS	GAS KETTLE	MARMITE A GAZ	KKG/100 1
5016907365	BRENNER 797/7A 250mm	BRUCIATORE 797/7A 250mm	BURNER 797/7A 250mm	BRULEUR 797/7A 250mm	KKG 4
5017203104	DÜSE ZÜNDBRÜCKE	UGELLO RAMPA ACCENSIONE T 30	LIGHTING BRIDGE JET T 30	GICLEUR PONT ALLUMAGE	T 30 1
5017207186	DRUCKMESSDÜSE	PRESA DI PRESSIONE OT 58	PRESSURE TAKE-OFF BRASS	PRISE DE PRESSION LAI. 58	OT 58 2
5017207366	DÜSE BRENNER	UGELLO BRUCIATORE AL 115 PP	BURNER JET AL 115 PP	GICLEUR BRULEUR	AL 115 PP 4

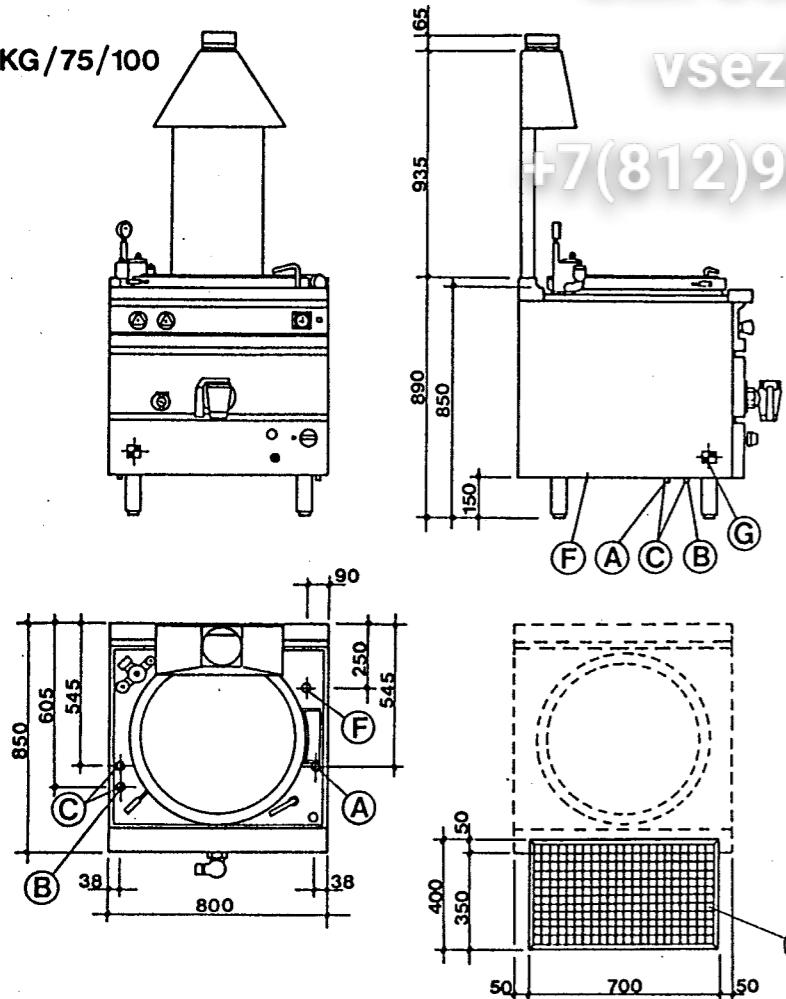
ERSATZTEILLISTE	LISTA ARTICOLARI	LIST OF PARTS	LIST DES COMPOSANTS	26.07.91
COD.	BESCHREIBUNG	DESCRIZIONE	DESCRIPTION	QUANT.
0107005930	GAS-KOCHKESSEL	FENTOLA GAS	GAS KETTLE	MARMITE GAZ KKG/100 PAG.3
5017207481	DÜSE ZÜNDBRÜCKE	UGELLO RAMPA ACCENSIONE T 80	LIGHTING BRIDGE JET T 80	GICLEUR PONT ALLUMAGE T 80 1
5017207877	DÜSE ZÜNDBRENNER	UGELLO PILOTA G 27	PILOTJET G27	GICLEUR VEILLEUSE G 27 1
5017208053	DÜSE BRENNER	UGELLO BRUCIATORE AL 180 N	BURNER JET AL 180 N	GICLEUR BRULEUR AL 180 N 4
5018000055	PROBIERHAHN 3/8"	RUBINETTO D'INVERSO 3/8"	LEVEL COCK 3/8"	ROBINET DE NIVEAU O 3/8" KK 1
5018003288	KUGELVENTIL 3/4"	VALVOLA A SFERA 3/4 F-F SERIE	BALL VALVE 3/4"F-F SERIES	CHAPET A BILLE 3/4"F-F SERIE DIN - DVGW 1
5018003416	WASSERARMATUR ROT 1/2"	RUBINETTO INCASSO 1/2" ROSSO	COCK FITTED 1/2" ROSSO	ROBINET ENCASTR. 1/2" ROUGE 1
5018007357	WASSERARMATUR BLAU 1/2"	RUBINETTO INCASSO 1/2" BLU	COCK FITTED 1/2" BLU	ROBINET ENCASTR. 1/2" BLEU 1
5018007363	SICHERHEITS-ENTLEERH. 1 1/2"	RUBINETTONE SCARICO 1 1/2"	DRAIN COCK 1 1/2"	ROBINET DECHARGE 1 1/2" 1
5018007443	SICHERHEITSARMATUR 0,5 BAR	DISPOSITIVO SICUREZZA 0,5 BAR	SAFETY DEVICE 0.5 BAR	DISPOSITIF SECURITE 1
5018106116	ELEKTROVENTIL	ELETTROVALVOLA	SOLENOID VALVE	SOUPAPE ELECT. KKG 1
5018907198	GASVENTIL 1,70	VALVOLA GAS 1,70	GAS VALVE 1.70	SOUPAPE GAZ 1,70 KKG. 1
5019007362	GLAS SCHAUL. 125x65	MICA CHIARA 125x65	CLEAR MICA 125x65	MICA CLAIR 125x65 KB/50/90 ,500
5020307369	ZÜNDBRÜCKE 290mm	RAMPA ACCENSIONE 290mm	LIGHTING BRIDGE 290mm	PONT ALLUMAGE 290mm KKG 1
5020704262	THERMOMETER THERMOSTAT	TERMOMETRO TERMOSTATO	THERMOSTAT THERMOMETER	THERMOMETRE THERMOSTAT KK 1
5022202411	ROSETTE VERCHROMT 3/8"	GHIERA 3/8" CROMATA	RING 3/8" CHROME-PLATE	FRETTE 3/8" CHROMEE 1
5022902035	SCHALTKNOPF ABZUG	VOLANTINO CON INDICE	KNOB WITH INDEX	VOLANT AVEC INDICAT. BE/851 1
5022906228	SCHALTKNOPF	MANOPOLA PEL NERA	HANDLE PEL BLACK	POIGNEE PEL NOIRE KKG/KKG 1
5024105819	THERMOSTROM-UNTERBRECHER	INTERRUTTORE TERMOCOPPIA	THERMOCOUPLE SWITCH	INTERRUPTEUR THERMOCOUPLE KKG 1
5024107382	THERMOFÜHLER 400mm KKG/90/	TERMOCOPPIA 400mm	THERMOCOUPLE 400mm	THERMOCOUPLE 400mm KKG 1
5024706878	ZÜNDBRENNER 3-WEG 4mm	PILOTA D'ACCENSIONE 3 VIE 4mm	LIGHTING PILOT 3-WAY	VEILL.D'ALLUMAGE 3 SORTIES ZG/GG 1
5027207356	MANOMETER 0-1,5 BAR	MANOMETRO 0-1,5 BAR	PRESS.GAUGE 0-1.5 BAR	MANOMETRE 0-1,5 BAR D=60 1
5040302692	MUTTER 6KT 1/2" VERZ.FIG.332	DADO ES ZINCATO FIG.312 1/2"	NUT HEX.GALVAN. FIG.312 1/2"	ECROU ES ZINGUE FIG.312 1/2" 1
5040603226	ÜBERWURFMUTTER 6 KANT M10x1	DADO PER BICONO OT.M 10x1>6	NUT FOR OLIVE BRASS M10x1>6	ECROU POUR BICONE LAI. M 10x1>6 1
5040603572	ÜBERWURFMUTTER PEL	DADO PILOTA TUBO 4	NUT PILOT PIPE 4	ECROU VEILLEUSE TUYAU 4 D=4 1
5040603633	ÜBERWURFMUTTER PEL M24x1,5>16	DADO USCITA PEL M 24x1,5 > 16	NUT OUTLET PEL M 24x1.5 > 16	ECROU SORTIE PEL M 24x1,5 > 16 1
5040603634	ÜBERWURFMUTTER PEL M28x1,5>20	DADO ENTRATA PEL M28x1,5 > 20	NUT INTAKE PEL M28x1.5 > 20	ECROU ENTREE PEL M28x1,5 > 20 1
5041002641	6KT SCHRAUBE M10x20 INOX 18/8	VITE TE ME10x20 INOX 18/8	SCREW TE ME10x20 STAINLESS	VIS TE ME10x20 INOX 18/8 2
5050120011	BOGEN VERZ. FIG.92 3/4"	GOMITO ZINC. FIG.92 3/4"	ELBOW GALV. FIG.92 3/4"	COUDE ZINGUE FIG.92 3/4" 1
5050201272	BLINDSTOPFEN MS 1/2" ART.452	CALOTTA OT MASCH.1/2" ART.452	CAPSCREW BRASS MALE 1/2"	CALOTTE LAI.MALE 1/2" ART.452 2
5050401281	MUFFE MESSING 3/8" ART.450	MANICOTTO OTTONE 3/8" ART.450	SLEEVE BRASS 3/8" ART.450	MANCHON LAITON 3/8" ART.450 1
5050503194	DOPPELKEGELRING	BICONO OTTONE	OLIVE BRASS	BICONE LAITON MS D=6 1
5050503573	DOPPELKEGELRING	BICONO PILOTA TUBO 4	OLIVE PILOT PIPE 4	BICONE VEILLEUSE TUYAU 4 PEL D=4 1
5050503631	DOPPELKEGELRING	BICONO USCITA OT.	OLIVE OUTPUT BRASS D=16 PEL	BICONE SORTIE LAIT.D=16 PEL MS D=16 PEL 1
5050503632	DOPPELKEGELRING	BICONO ENTRATA MS	OLIVE INTAKE MS D=20 PEL.	BICONE ENTREE MS D=20 PEL. MS D=20 PEL 1
5050803202	VERSCHRAUBUNG 4340g 3/4">22	BOCCHETTONE 4340g 3/4">22	UNION 4340g 3/4">22	GOULOTTE 4340g 3/4">22 1
5051001277	NIPPEL REDUZ. MS 3/8">1/4"	NIPPLO RIDUZ.OTT.3/8">1/4"	NIPPLE REDUC.BRASS 3/8">1/4"	NIPPLE REDUC.LAI.3/8">1/4" 1
5051001286	DOPPELNIPPEL MS 3/8" ART.441	NIPPLO DOP.OTTONE 3/8"ART.441	NIPPLE DOUB.BRASS 3/8"ART.441	NIPPLE DOUBLE LAI.3/8"ART.441 1
5051001287	DOPPELNIPPEL MS 1/2" ART.441	NIPPLO DOP.OTTONE 1/2"ART.441	NIPPLE DOUB.BRASS 1/2"ART.441	NIPPLE DOUBLE LAI.1/2"ART.441 3
5051002818	NIPPEL VERZ.FIG.280 3/4"	NIPPLO ZINC.FIG.280 3/4"	NIPPLE GALV.FIG.280 3/4"	NIPPLE ZING.FIG.280 3/4" 1
5051101291	T-STÜCK MESSING 3/8" ART.461	T OTTONE FEMMINA 3/8" ART.461	T BRASS FEMALE 3/8" ART.461	T LAITON FEMELLE 3/8" ART.461 1
5051101292	T-STÜCK MESSING 1/2" ART.461	T OTTONE FEMMINA 1/2" ART.461	T BRASS FEMALE 1/2" ART.461	T LAITON FEMELLE 1/2" ART.461 2
5051206145	KONUS-QUETSCHVERSCHR.1/2x12	DADO ADATTATORE DI PRESSIONE	PRESSURE ADAPTOR NUT	ECROU ADAPTATEUR DE PRES. 1
5051220023	ROHRVERSCHRAUBUNG	RACCORDO OTTONE SEMPL.	BRASS FITTING SIMPL.1/2>16	RACCORD LAITON SIMPLE 1/2>16 MS 1/2">16 2

ERSATZTEILLISTE		LISTA PARTICOLARI	LIST OF PARTS	LIST DES COMPOSANTS	26.07.91	
0107005930	GAS-KOCHKESSEL	PENTOLA GAS	GAS KETTLE	MARMITE GAZ	KKG/100	PAG.4
COD.	BESCHREIBUNG	DESCRIZIONE	DESCRIPTION	DESCRIPTION	QUANT.	
5051220032	ROHRVERSCHRAUBUNG	RACCORDO DIRITTO 1/2">12	STRAIGHT FITTING 1/2">12	RACCORD DROIT 1/2">12	MS 1/2">12	3
5060403707	PIEZOZÜNDER	ACCENSORE PIEZO RV 1174-03	PIEZO LIGHTING RV 1174-03	ALLUMAGE PIEZO RV 1174-03	RV 1174-03	1
5060503610	ANSCHLUSSKLEMME 3-POLIG	MORSETTIERA 8016 V/3 DS KR	TERMINAL 8016 V/3 DS KR	BORNE 8016 V/3 DS KR		1
5061003550	KABEL ZÜNDUNG 740	CAVO ACCENSIONE 740mm	LIGHTING ABLE 740mm	CABLE ALLUMAGE 740mm	S/85	1
5061103271	SIGNALLEUCHTE TYP	LAMPE TEMOIN TYP	LAMP TEMOIN TYPE	LAMPE TEMOIN TYP	VOY SI16A	1
5061103274	GLIMMLAMPE NEON	LAMPADA SPTA NEON	INDIC. LIGHT NEON	LAMPE TEMOIN NEON B	BA 9S 220V	1
5061307558	PRESSOSTAT EGO	PRESSOSTATO EGO TARATURA	PRESSURE SWITCH EGO SET. 0.45	PRESSOSTAT EGO TARAGE	KK 0,45 BAR	1
5061603920	SICHERHEITSTHERMOSTAT	TERMOSTATO LIMITATORE	LIMITER THERMOSTAT	THERMOSTAT LIMITEUR	KKG	1
5062606677	ZÜNDKERZE RUND	CANDELETTA ACCENSIONE	LIGHTING PLUG	BOUGIE ALLUMAGE	FG/GF	1
5207400705	HOLZVERSCHLAG	IMBALLO LEGNO	WOODEN CRATE	EMBALLAGE BOIS	S/80	1

vsezip.ru

+7(812)987 09 81

KKG/75/100



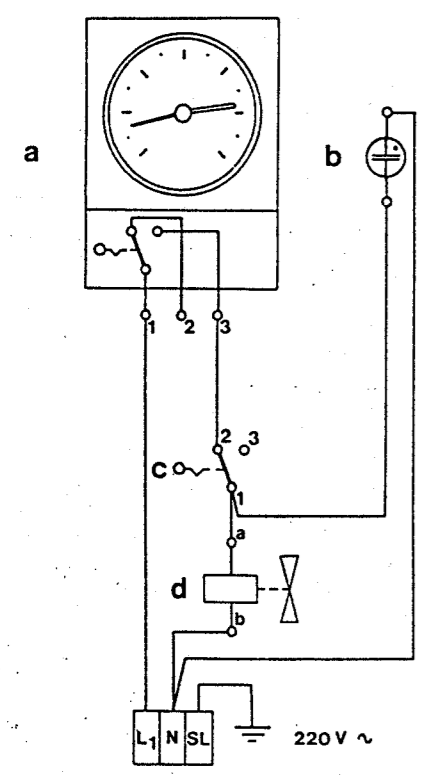
- (A) GASANSCHLUSS 3/4"  
ATTACCO GAS 3/4"  
GAS CONNECTION 3/4"  
ARRIVEE GAZ 3/4"
- (B) KABELINFÜHRUNG  
PASSACAVO  
CABLE ENTRY  
ENTREE DE CABLE
- (C) ELT. ANSCHLUSSKLEMME  
MORSETTIERA ARRIVO LINEA  
CONNECTION SUPPLY TERMINAL  
RACCORD BORNE D'ALIMENTATION
- (E) SCHRAUBE FÜR POTENTIALAUSGLEICH  
VITE DI COMPENSAZIONE POTENZIALE  
SCREW FOR POTENTIAL COMPENSATION  
VIS DE COMPENSATION DE POTENTIEL
- (F) WASSERANSCHLUSS Ø 12 mm  
COLLEGAMENTO ACQUA Ø 12 mm  
WATER CONNECTION Ø 12 mm  
PRISE D'EAU Ø 12 mm
- (G) BODENWANNE MIT ROST UND WASSERABLAUF  
VASCA A PAVIMENTO CON GRIGLIA E SCARICO ACQUA  
BOTTOM TRAY WITH GRATE AND WATER DRAIN  
CUVE DE FOND AVEC GRILLE ET ECOULEMENT D'EAU

BRENNER KOCHKESSEL BRUCIATORE PENTOLA BURNER KETTLE BRULEUR MARMITE	17200 Kcal/h (20 KW)	STEUERUNG ELEKTROVENTIL COMANDO ELETTROVALVOLA CONTROL ELECTRIC-VALVE REGLAGE SOUPAPE ELT.	25 W
NENNWÄRMEBELASTUNG PORTATA TERMICA THERMAL CAPACITY DEBIT THERMIQUE	17200 Kcal/h (20 KW)	NENNAUFNAHME POTENZA NOMINALE NOMINAL CONSUMPTION PRISE DE COURANTE	25 W

ANSCHLUSSDRUCK PRESSIONE D'ESERCIZIO CONNECTING PRESSURE PRESSION DE LA DISTRIBUTION		ANSCHLUSSWERT CONSUMO GAS GAS CONSUMPTION DEBIT VOLUMETRIQUE
FLÖSSIGGAS GAS LIQUIDO LP GAS GZ LIQUEFIE	48,0 - 57,5 mbar	1,56 Kg/h
EROGAS GAS METANO NATURAL GAS GAZ NATUREL	18,0 - 22,5 mbar	2,2 m <sup>3</sup> /h

DÜSENTABELLE CHART FOR JETS	TABELLA UGELLI TABLEAU GICLEURS	BRENNERDÜSE UGELLO BRUCIATORE BURNER JET GICLEUR DE BRULEUR	ZÖNDBRENNERDÜSE UGELLO PILOTA JET PILOT GICLEUR VEILLEUSE	MINIMUMDÜSE UGELLO MINIMO MINIMUM JET GICLEUR MINIMUM	ZÖNDBRÜCKENDÜSE UGELLO RAMPA BURNING BRIDGE JET GICLEUR DE BRULEUR PONT
FLÖSSIGGAS GAS LIQUIDO LP GAS GZ LIQUEFIE	BRENNER KOCHKESSEL BRUCIATORE PENTOLA BURNER KETTLE BRULEUR MARMITE	AL 115 PP	22	170	T 30
EROGAS GAS METANO NATUREL GAS GAZ NATUREL	"H" BRENNER KOCHKESSEL BRUCIATORE PENTOLA BURNER KETTLE BRULEUR MARMITE	AL 180 N	27	170	T 80
EROGAS GAS METANO NATUREL GAS GAZ NATUREL	"L" BRENNER KOCHKESSEL BRUCIATORE PENTOLA BURNER KETTLE BRULEUR MARMITE	AL 200 N	27	170	T 80

Зип Общепит  
 vsezip.ru  
 +7(812)987-08-81



**a** THERMOMETER + THERMOSTAT  
 TERMOMETRO + TERMOSTATO  
 THERMOMETER + THERMOSTAT  
 THERMOMETRE + THERMOSTAT

**b** KONTROLLEUCHE  
 LAMPADA CONTROLLO  
 CONTROL LIGHT  
 TEMOIN LUMINEUX

**c** DRUCKWÄCHTER  
 PRESSOSTATO  
 PRESSURE GAUGE  
 PRESSOSTAT

**d** ELEKTROVENTIL  
 ELETTROVALVOLA  
 ELECTRIC-VALVE  
 SOUPAPE ELT.