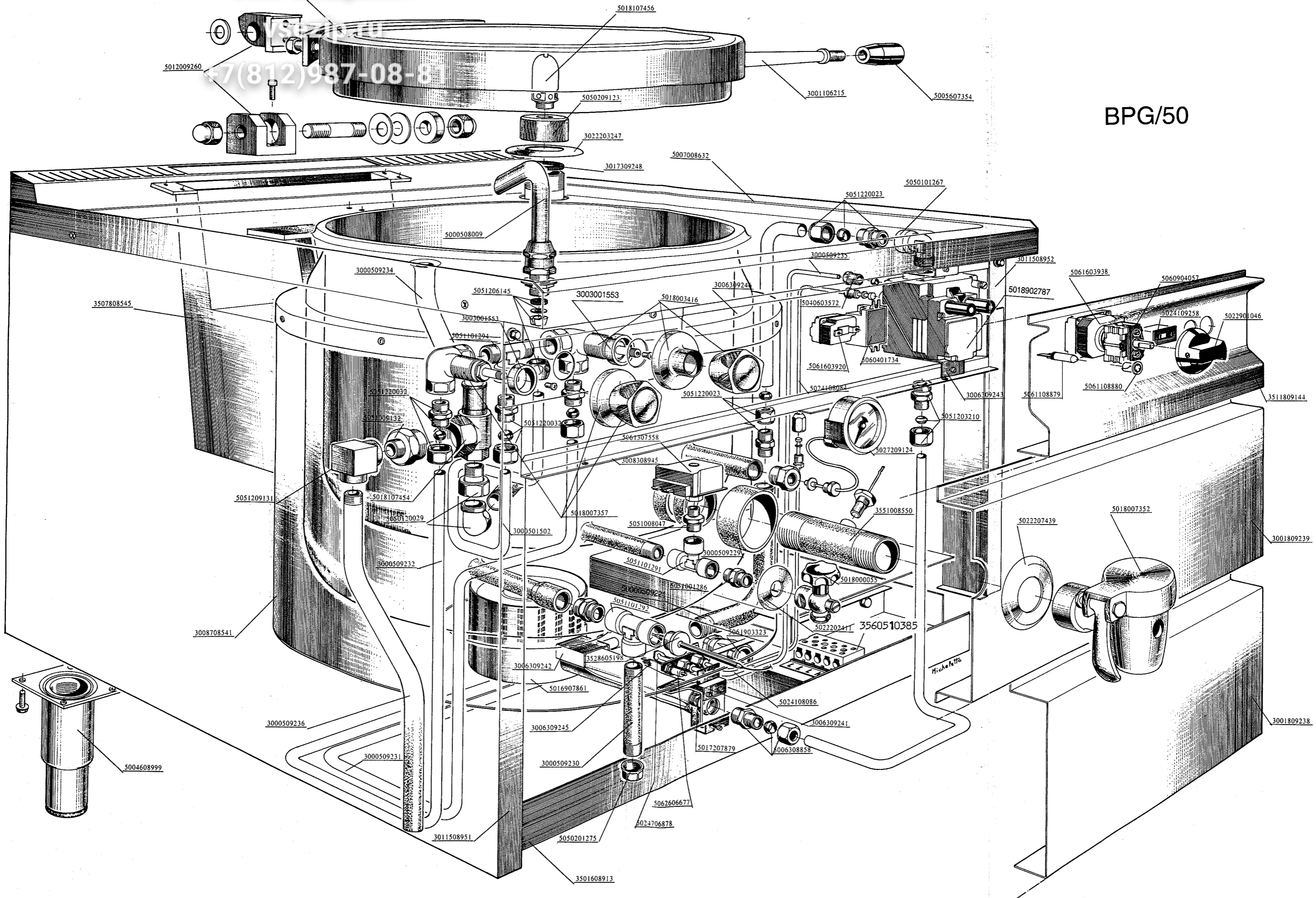


Зип Общежит

Sezifan

7(812)987-08-81

BPG/50



0107010096 GAS KOCHKESSEL PENTOLA A GAS GAS KETTLE MARMITE GAZ BPG/50 PAG.1

COD.	BESCHREIBUNG	DESCRIZIONE	DESCRIPTION	DESCRIPTION	QUANT.
3000501502	ROHR EINLAUF VERBINDUNG	TUBO RACCORDO ACQUA	WATER FITTING	TUYAU RACCORD EAU	KK/70 1
3000509229	ROHR ISOLIERUNG	TUBO ISOLAZIONE	INSULATING TUBE	TUYAU INSULATION	BPG/50 1
3000509230	ROHR ENTLERUNG	TUBO SCARICO ACQUA	WATER DRAIN PIPE	TUYAU DECHARGE EAU	BPG/BPE/50 1
3000509231	ROHR EINLAUF KALTWASSER	TUBO ENTR. ACQUA FREDDA	COLD WATER LINE IN	TUYAU ARRIVEE EAU FR.	BPG/BPE/50 1
3000509232	ROHR EINLAUF WARMWASSER	TUBO ENTR. ACQUA CALDA	WARM WATER LINE IN	TUYAU ARRIVEE EAU CHAUD	BPG/BPE/50 1
3000509233	ROHR GASLEITUNG	TUBO CONDOTTA GAS	GAS PIPE	TUYAU CONDUITE GAZ	BPG/50 1
3000509234	ROHR ÜBERLAUF	TUBO TROPPOPIENO	DRAIN PIPE	TUYAU DECHARGE	BPG/BPE/50 1
3000509235	ROHR ZÜNDBRENNER	TUBO PILOTA	PILOT PIPE	TUYAU VEILLEUSE	BPG/50 1
3000509236	ROHR DAMPFÜBERDRUCK	TUBO PRESSIONE VAPORE	STEAM PRESSURE PIPE	TUYAU PRESS. VAPEUR	BPG/BPE/50 1
3000509237	ROHR GASZUFUHR	TUBO PORTATA GAS	LOADING GAS PIPE	TUYAU ARRIVEE GAZ	BPG/50 1
3000809045	ABDECKUNG SCHALT. LINKS	PROTEZIONE PANN. SINISTRA	PAN. PROTECTION LEFT	PROTECTION PANN. GAUCHE	CP/75 1
3000809046	ABDECKUNG SCHALT. RECHTS	PROTEZIONE PANN. DESTRA	PAN. PROTECTION RIGHT	PROTECTION PANN. DROITE	CP/75 1
3000809250	ABDECKUNG ÜBERLAUF	PROTEZIONE SFIATO	DRAIN PROTECTION	PROTECTION DECHARGE	BPG/50 1
3000809251	ABDECKUNG E-ANSCHLUSS	PROTEZIONE ELETTR.	ELEC. PROTECTION	PROTECTION ELEC.	BPG/BPE/50 1
3000809252	ABDECKUNG AUSLAUF	PROTEZIONE SCARICO	DRAIN COVER	PROTECTION DECHARGE	BPG/BPE/50 1
3001106215	WELLE GRIFF	PERNO MANIGLIA	HANDLE PIN	PIVOT POIGNEE	KK 1
3001608547	BODEN	FONDO	BOTTOM	FOND	BPG/50 1
3001809238	BLENDE UNTEN	CRUSCOTTO INFERIORE	PANEL BOTTOM	PANNEAU INFERIEUR	BPG/BPE/50 1
3001809239	BLENDE MITTE	CRUSCOTTO CENTRALE	PANEL CENTRE	PANNEAU CENTRAL	BPG/BPE/50 1
3003001553	DISTANZRING HÄHNE	DISTANZIALE RUBINETTI	COCK SPACER	ENTRETOISE ROBINETS	KK/70 2
3003009156	DISTANZSTÜCK EINFASSUNG	DISTANZIALE PIANO	HOB SPACER	ENTRETOISE PLAN	CP/75 4
3003408963	EINFASSUNG-VERBINDUNG	CANALETTO CONGIUNZIONE	CONNECTION STRIP	BANDE RACCORD	CP/75 1
3006308962	HALTER VERBINDUNG	SUPPORTO CANALETTO	CONNECTION SUPPORT	SUPPORT RACCORD	CP/75 3
3006309103	HALTER GERÄTE	SUPPORTO APPARECCHIAT.	UNITS SUPPORT	SUPPORT APPAREILS	CP/75 1
3006309183	HALTER KAMIN	SUPPORTO CAMINO	FLUE SUPPORT	SUPPORT CHEMINEE	BPG/50 2
3006309240	HALTER FLAMMEN ANZEIGER	SUPPORTO IND. FIAMMA	FLAME INDICAT. SUPPORT	SUPPORT FLAMME INDICATION	BPG/50 1
3006309241	HALTER BRENNER VORNE	SUPPORTO BRUCIATORE ANT.	BURNER SUPPORT FRONT	SUPPORT BRULEUR DEVANT	BPG/50 1
3006309242	HALTER BRENNER HINTEN	SUPPORTO BRUCIATO. POST.	BURNER SUPPORT REAR	SUPPORT BRULEUR ARRIERE	BPG/50 1
3006309243	HALTER ELETTROSIT	SUPPORTO ELETTROSIT	ELETTROSIT SUPPORT	SUPPORT ELETTROSIT	BPG/50 2
3006309244	HALTER SICHER. THERMOSTAT	SUPPORTO TERMOSTATO SIC.	SAFETY THERM. SUPPORT	SUPPORT THERM. SEC.	BPG/50 1
3006309245	HALTER ZÜNDBRENNER	SUPPORTO PILOTA	PILOT BURNER SUPPORT	SUPPORT BRUL. VEILLEUSE	BPG/50 1
3006309246	HALTER WASSERHÄHNE	SUPPORTO RUBINETTI	COCK SUPPORT	SUPPORT ROBINETS	BPG/BPE/50 1
3006309247	HALTER KLEMM. SCHÜTZ	SUPPORTO MORSETTIERA	TERMINAL SUPPORT	SUPPORT BORNE	BPG/BPE/50 1
3006309 3	HALTER ISOLIERUNG	SUPPORTO ISOLAZIONE	INSULATION SUPPOF	SUPPORT ISOLATION	BPG/50 2

ERSATZTEILLISTE	LIS - A PARTICULARI	LIST OF PARTS	LIST DES COMPOSANTS	06.1993	
0107010096	GAS KOCHKESSEL	PENTOLA A GAS	GAS KETTLE	MARMITE GAZ	BPG/50 PAG.2
COD.	BESCHREIBUNG	DESCRIZIONE	DESCRIPTION	DESCRIPTION	QUANT.
3006805195	ISOLIERUNG WEISS	ISOLAZIONE BIANCA	INSULATION WHITE	ISOLATION BLANC	2000x600 1
3008308945	TRÄGER LÄNGS VORNE	PORTANTE LONG. ANTERIORE	MEMBER ALONG FRONT	PORTANT LONG DEVANT	CP/70 1
3008708541	MANTEL AUSSEN	MANTELLO ESTERNO	JACKET EXTERNAL	MANTEAU EXTERNE	BPG/50 1
3009708933	RÜCKWAND	SCHIENA	BACK	DOS	CP/70 1
3011508951	SEITENWAND UBO LINKS	FIANCO APERTO SINISTRA	OPEN SIDE LEFT	COTE OUVERT GAUCHE	CP/75 1
3011508952	SEITENWAND UBO RECHTS	FIANCO APERTO DESTRA	OPEN SIDE RIGHT	COTE OUVERT DROITE	CP/75 1
3014201570	VERSTÄRKUNG EINLAUF	RINFORZO CARICO ACQUA	WATER INTAKE STIFF	RENFORT ARRIVEE EAU	KK 1
3017309248	DICHTUNG GUMMI	GUARNIZIONE GUMMI	GASKET RUBBER	JOINT TORIQUE GOMME	BPG/BPE/50 1
3022203247	ROSETTE INOX 1"	GHIERA INOX 1"	RING STAINLESS STEEL 1"	FRETTE INOX 1"	KK 1
3501608913	BODEN AUSSEN	FONDO ESTERNO	BOTTOM EXTERNAL	FOND EXTERNE	CP/70 1
3506308546	HALTER KESSEL UNTEN	SUPPORTO PENTOLA INFER.	KETTLE BOTTOM SUPPORT	SUPPORT MARMITE INFERIEUR	BPG/BPE/50 2
3507808545	KAMIN	CAMINO	FLUE	CHEMINEE	BPG/50 1
3511809144	SCHALTBLENDE	PANNELLO COMANDO	CONTROL PANEL	PANNEAU COMMANDE	BPG/50 1
3528605198	HÜLSE THERMOSTAT	GUAINA TERMOSTATO	THERMOSTAT SHEATH	GAINE THERMOSTAT	KKG 1
3551008550	NIPPEL AUSLAUF	NIPPLO SCARICO	NIPPLE DRAIN	NIPPLE DECHARGE	BPG/BPE/50 1
3560510385	ANSCHLUSSKLEMME 3 POLIG	MORSETTIERA 3 POLI	TERMINAL 3 POLE	BORNE 3 POLES	PA/76SEZ 6 1
5000508009	ROHR WASSEREINLAUF 1/2"	TUBO EROGAZ. ACQUA 1/2"	WATER SUPPLY PIPE 1/2"	TUYAU DISTRIBUT. EAU 1/2"	90° 1
5000508559	ROHR REGULIERUNG	TUBO REGOLAZIONE	REGULATE PIPE	TUYAU REGLER	BPG/BPE/50 2
5000509221	ROHR GASANSCHLUSS	TUBO ALLACCIAMENTO GAS	GAS CONNECTION PIPE	TUYAU ARRIVEE GAZ	GY/40BPG/50 1
5003109259	DECKEL	COPERCHIO	COVER	COUVERCLE	BPG/BPE/50 1
5004608999	FUSS RUND 1 1/2"	PIEDINO TONDO 1 1/2"	FOOT ROUND 1 1/2"	PIED ROND 1 1/2"	CP/75 4
5005607354	GRIFF DECKEL I280/65M10	MANIGLIA COPER. I280/65M10	COVER HANDLE I280/65M10	POIGNEE COUVERCLE I280/65	KK 1
5006308858	DÜSENVERBINDUNG	PORTAUGELLO + CONTROD.	JET FITTING	RACCORD GICLEUR	GUG/40/70 1
5007008632	KOCHKESSEL GAS	PENTOLINO INDIRECTO	GAS KETTLE	MARMITE GAZ	BPG/50 1
5012009260	SCHARNIER DECKEL	CERNIERA COPERCHIO	COVER HINGE	CHARNIERE COUVERCLE	BP/50 1
5013525754	KABELSATZ	IMPIANTO CAVI ELT.	WIRING SYSTEM	INSTAL. CABLES ELEC.	BPG/50 1
5016907861	BRENNER C-120-163-01	BRUCIATORE C-120-163-01	BURNER C-120-163-01	BRULEUR C-120-163-01	GP/80 1
5017207879	DÜSE BRENNER	UGELLO BRUCIATORE	BURNER JET	GICLEUR BRULEUR	L 300 1
5018000055	PROBIERHAHN 3/8"	RUBINETTO DI LIVELLO 3/8"	LEVEL COCK 3/8"	ROBINET DE NIVEAU 3/8"	KK 1
5018003416	WASSERARMATUR ROT	RUBINETTO INC. ROSSO	COCK FITTED RED	ROBINET ENCAST. ROUGE	1/2" 1
5018007352	SICHERHEITS-ENTLEERHAHN	RUBINETTO SCARICO	DRAIN COCK	ROBINET DECHARGE	1 1/4" 1
5018007357	WASSERARMATUR BLAU	RUBINETTO INC. BLU	COCK FITTED BLUE	ROBINET EMCAST. BLEU	1/2" 1
5018107454	SICHERHEITSVENTIL	VALVOLA SICUREZZA	SAFETY VALVE	SOUPAPE SECURITE	NR. 851P 1
5018107456	ENT- UND BELÜFTER	VACUOLA DI DEPRESSIONE	VACUUM VALVE	SOUPAPE DE DEPRESSION	R 1/2" 1

ERSATZTEILLISTE	LISTA PARTICOLARI	LIST OF PARTS	LIST DES COMPOSANTS	06.1993
0107010096	GAS KOCHKESSEL	GAS KETTLE	MARMITE GAZ	BPG/50 PAG.3

COD.	BESCHREIBUNG	DESCRIZIONE	DESCRIPTION	DESCRIPTION	QUANT.
5018902787	GASTHERMOSTAT ELETTROSIT	VALVOLA ELETTROSIT	VALVE ELETTROSIT	SOUPAPE ELETTROSIT	FG/40/80 1
5022202411	ROSETTE VERCHROMT	GHIERA CROMATA	RING CHROME- PLATE	FRETTE CHROMEE	3/8" 1
5022207439	ROSETTE	BORCHIA F. POLMONE	OSS FOR EXPANSION BOX	CABOCHON POUR POUMON	KK 1
5022901046	SCHALTKNOPF 30°-110°	MANOPOLA 30°-110°	KNOB 30°-110°	POIGNEE 30°-110°	BOC/35 1
5024108084	THERMOFÜHLER VERLÄNGER.	PROLUNGA TERMOCOPPIA	EXTENS. THERMOCOUPLE	RALLONGE THERMOCOUPLE	GF/FG 1
5024108086	THERMOFÜHLER 600 MM	TERMOCOPPIA INTERR. 600 MM	THERMOCOUP.INTERR.600MM	THERMOCOUP. INTERR. 600MM	GF/FG 1
5024109258	FLAMMEN-ANZEIGER	INDICATORE TERMOCOPPIA	FLAME INDICATION	FLAMME INDICATION	BPG/50 1
5024706878	ZÜNDBRENNER 3-WEG 4 MM	PILOTA 3 VIE 4 MM	PILOT 3-WAY 4 MM	VEILLEUSE 3 SORT 4 MM	ZG/GG 1
5027209124	MANOMETER	MANOMETRO	PRESS. GAUCHE	MANOMETRE	BP/50 1
5040302692	MUTTER 6KT 1/2" VERZINKT	DADO ES ZINCATO 1/2"	HEXAGONAL NUT ZINC. 1/2"	ECROU ES ZINGUE 1/2"	FIG. 312 1
5040402661	HUTMUTTER 6KT M10	DADO CIECO ES M10	CAP NUT HEXAGONAL M10	ECROU BORGE ES M10	INOX 18/8 4
5040603572	ÜBERWURFMUTTER	DADO PILOTA TUBO	PILOT PIPE NUT	ECROU VEILLEUSE TUYAU	PEL D=4 1
5050101267	BOGEN MESSING M+W 1/2"	ANGOLO OTTONE M+F 1/2"	BRASSY ELBOW M+F 1/2"	COUDE DE LAITON M+F 1/2"	ART. 458 1
5050120029	BOGEN + HOLLÄNDER	GOMITO OT.	ELBOW	COUDE	R19 - 1/2" 1
5050201275	BLINDKAPPE MS 1/2"	CALOTTA OT. FEMM. MS 1/2"	CAPSCREW BRASS F. MS1/2"	CALOTTE LAI. FEM. MS 1/2"	ART. 453 1
5050209123	DAMPFVERSCHLUSS 1"	TAPPO CHIUSURA 1"	STEAM STOPPER 1"	FERMETURE VAPEUR 1"	BP/50 1
5050503573	DOPPELKEGELRING	BICONO PILOTA TUBO	OLIVE PILOT PIPE	BICONE VEILLEUSE TUYAU	PEL D=4 1
5051001286	DOPPELNIPPEL MS 3/8"	NIPPLIO DOP. OTTONE MS3/8"	NIPPLE DOU. BRASS MS3/8"	NIPPLE DOUB. LAITON MS3/8"	ART. 441 1
5051008047	NIPPEL REDUZIERUNG	NIPPLIO RIDUZ. IN OTT.	NIPPLE REDUC. BRASS	NIPPLE REDUC. LAITON	MS3/8">1/8" 1
5051009132	NIPPEL REDUZIERT INOX	RIDUZIONE MM 304	REDUCTION INOX	REDUCTION INOX	1"-1/2" GCI 1
5051101291	T-STÜCK MESSING 3/8"	T OTTONE FEMMINA 3/8"	T BRASS FEMALE 3/8"	T LAITON FEMELLE 3/8"	ART. 461 1
5051101292	T-STÜCK MESSING 1/2"	T OTTONE FEMMINA 1/2"	T BRASS FEMALE 1/2"	T LAITON FEMELLE 1/2"	ART. 461 1
5051101294	T-STÜCK MS 1/2" W+MM	T OTTONE MS 1/2" F+MM	T BRASS MS 1/2" F+MM	T LAITON MS 1/2" F+MM	ART. 463 1
5051203210	ROHRVERSCHRAUBUNG	RACCORDO OT UNIVERS.	BRASS FITTING	RACCORD LAITON	MS 1/2">10 1
5051206145	KONUS-QUETSCHVERSCHRA.	DADO ADATT. D. PRESS.	PRESSURE ADAPTOR NUT	ECROU ADAPT. DE PRES.	1/2x12 1
5051209131	WINKELVERSCHRAUBUNG INOX	GOMITO FF 304	ELBOW FITTING	RACCORD COUDE	1/2"GAS CIL 1
5051220023	ROHRVERSCHRAUBUNG	RACCORDO OTTONE S.	STRAIGHT FITTING	RACCORD LAITON	MS 1/2">16 2
5051220032	ROHRVERSCHRAUBUNG	RACCORDO DIRITTO	STRAIGHT FITTING	RACCORD DROIT	MS 1/2">12 3
5060401734	TAKTFUNKENZÜNDGERÄT	ACCENSIONE ELETTRON.	ELEC. LIGHTING	ALLUMAGE ELEC.	ZIG-2 1
5060402366	ZÜNDKONTAKTE	CONSENSO ACC. ELT. CON CA.	ELEC. ENABLING WITH CAB.	INTERR. P. ELEC. CABLE	ELETTROSIT 1
5060904057	STUFENSCHALTER-VORSATZ	COMMUTAT. (CON ALBERINO C	SWITCH (WITH SPINDLE CA	COMMUTAT. (AVEC ARBRE CA	1
5061003569	KABEL ZÜNDUNG 600 MM	CAVO ACCENSIONE 600 MM	LIGHTING CABLE 600 MM	CABLE ALLUMAGE 600 MM	S/70 1
5061108879	GLIMMLAMPE NEON 380V	SEGNALATORE NEON 380V	INDIC. LIGHT NEON 380V	LAMPE TEMOIN NEON 380V	T 150° C 1
5061108870	LINSE ROT	GEMMA ROSSA	CONTROL LIGHT REP	LAMPE TEMOIN ROUGE	T 150° C 1

ERSATZTEILLISTE	PARTICOLARI	LIST OF PARTS	LIST DES COMPOSANTS	06.1993	
0107010096	GAS KOCHKESSEL	PENTOLA A GAS	GAS KETTLE	MARMITE GAZ BPG/50 PAG.4	
COD.	BESCHREIBUNG	DESCRIZIONE	DESCRIPTION	DESCRIPTION	QUANT.
5061307558	PRESSOSTAT EGO	PRESSOST. EGO 1/4" PAT. 81	PRESSU. SWITCH EGO SET.	PRESSOSTAT EGO TARAGE	KK 0,45 BAR 1
5061603920	SICHERHEITSTHERMOSTAT	TERMOSTATO LIMITATORE	LIMITER THERMOSTAT	THERMOSTAT LIMITEUR	KKG 1
5061603938	THERMOSTAT 30°-110°	TERMOSTATO 30°-110°	THERMOSTAT 30°-110°	THERMOSTAT 30°-110°	BPE/BPG 1
5061903323	ZUGENTLASTER	PASSACAVI BACHEL.	PULL RELIEF	DECHARGE DE TRACTION	PG/21 N106 1
5062606677	ZÜNDKERZE RUND	CANDELETTA ACCENSIONE	LIGHTING PLUG	BOUGIE ALLUMAGE	GY/FG 1
5209100364	KARTON SET FÜSSE	IMBALLO SET PIEDINI	CARTON SET FEETS	CARTON SET PIEDS	270x270x150 1