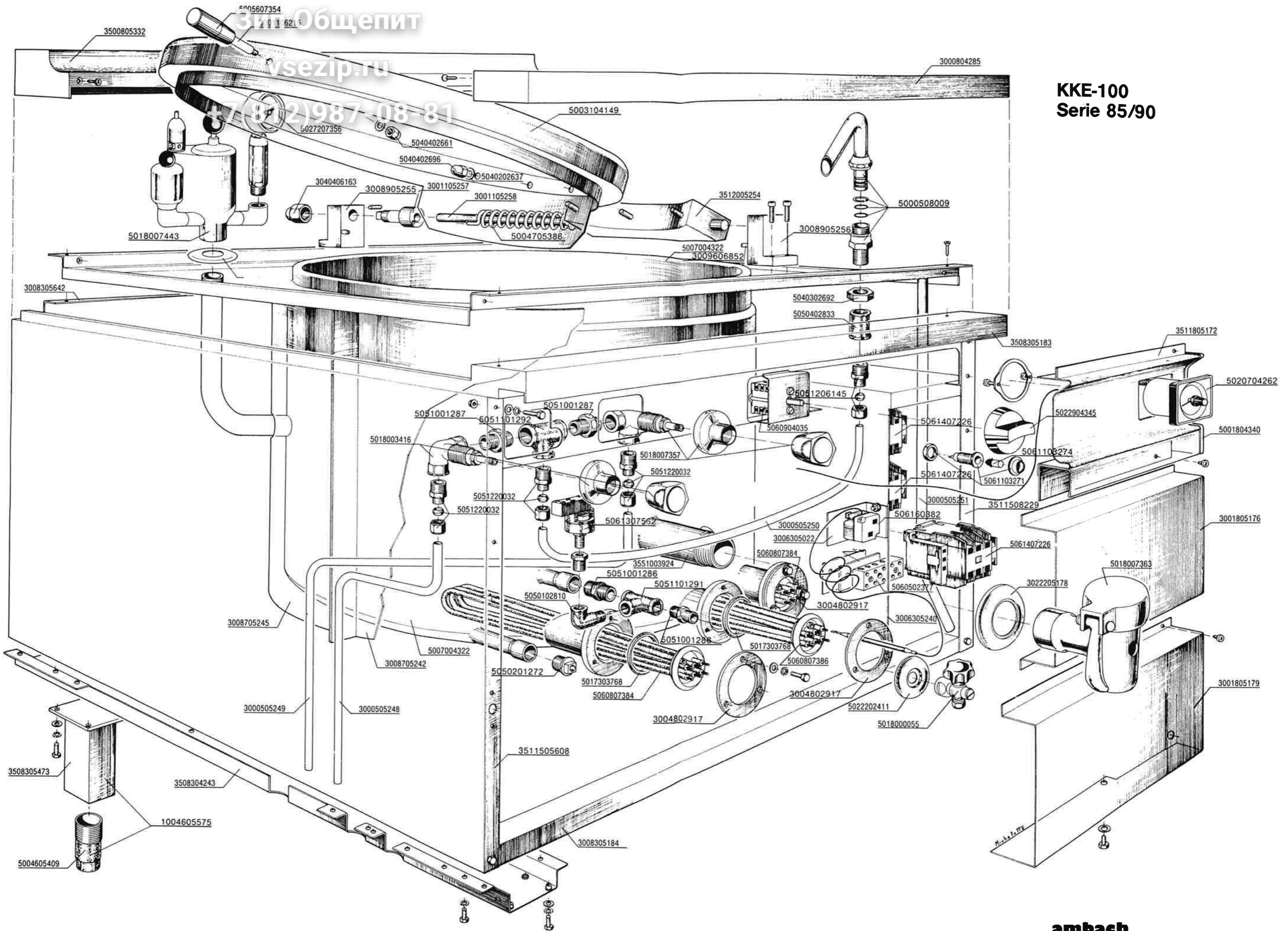


Этот общепит

vsezip.ru

+7(812)987-08-81

KKE-100  
Serie 85/90



ambach

EINSATZTEILLISTE		LISTA PARTICOLARI		LIST OF PARTS		LIST DES COMPOSANTS		26.07.91
0107005934	ELT-KOCHKESSEL	ЭЛЕКТРИЧЕСКИЙ КОТЛ		ELECTRIC KETTLE	MARMITE ELECTRIQUE	KKE/100	PAG. 1	
COD.	BESCHREIBUNG	DESCRIZIONE	DESCRIPTION	DESCRIPTION		QUANT.		
1013506525	KABELSATZ	IMPIANTO CAVI ELT.	ELEC. WIRING ASSY. KKE	INSTAL.CABLES ELEC	KKE	1		
3000505248	ROHR ZUFUHR WARMW.	TUBO CARICO ACQUA CALDA	HOT WATER INTAKE PIPE	TUYAU ARRIVEE EAU CHAUD.	KK	1		
3000505249	ROHR ZUFUHR KALTW.	TUBO CARICO ACQUA FREDDA	COLD WATER INTAKE PIPE	TUYAU ARRIVEE EAU FROIDE	KK	1		
3000505250	ROHR VERBINDUNG	TUBO RACCORDO ACQUA	WATER PIPE FITTING	TUYAU RACCORD EAU	KK	1		
3000505251	ROHR ÜBERLAUF	TUBO SCARICO	DRAIN PIPE	TUYAU DECHARGE	KK	1		
3000804285	ABDECKUNG EINFASS.	CRUSCOTTO PIANO	HOB PANEL	TABLEAU PLAN	G/80	1		
3000804292	ABDECKUNG SEITE L.	CRUSCOTTO LATER.S.	PANEL LH SIDE	TABLEAU COTE GAUCH.	G/85	1		
3000805063	ABDECKUNG SCHALT.L.	PROTEZIONE PANN.S.	PROTECTION LH PAN.	PROTECTION PANN.G.	G/85	1		
3000805395	ABDECKUNG SCHALTBL.	PROTEZIONE COMANDI	CONTROL COVER	PROTECTION COMMANDES	KK	1		
3000806319	ABDECKUNG AUSLAUF	PROTEZIONE SCARICO	DRAIN COVER	PROTECTION DECHARGE	KKG	1		
3000808271	ABDECKUNG SEITE R.	CRUSCOTTO LATER.D.	PANEL RH SIDE	TABLEAU COTE DROIT	G/85	1		
3000808273	ABDECKUNG SCHALT.R.	PROTEZIONE PANN.D.	PROTECTION RH PAN.	PROTECTION PANN.D.	G/85	1		
3001105257	WELLE DECKELHUB	ASSE ALZACOPERCHIO	SHAFT COVER LIFT	AXE LEVE COUVERCLE	KK	1		
3001105258	WELLE FEDER INNEN	ASSE MOLLA INTERNA	SHAFT INT. SPRING	AXE RESSORT INTERNE	KK	1		
3001106215	WELLE GRIFF	PERNO MANIGLIA	HANDLE PIN	PIVOT POIGNEE	KK	1		
3001605239	BODEN	FONDO	BOTTOM	FOND	KKE	1		
3001805176	BLLENDE MITTE	PANNELLO CENTRALE	PANEL CENTRE	PANNEAU CENTRAL	KKE/100	1		
3001805179	BLLENDE UNTEN	PANNELLO INF.	PANEL BOTTOM	PANNEAU INF.	KKE/75/100	1		
3003405600	EINFASSUNG VERB.	FASCIA RACCORDO	CONNECTION STRIP	BANDE RACCORD	G/85	1		
3004605432	FUSS VIERKANTROHR	PIEDINO ESTERNO	FOOT EXTERNAL	PIED EXTERNE	G/85	4		
3004802917	FLANSCH HEIZK.	FLANGIA RESISTENZA	FLANGE HEAT.ELEM.	BRIDE RESISTANCE	KKE	3		
3005605181	GRIFF SCHALTBLLENDE	MANIGLIA PANNELLO	PANEL HANDLE	POIGNEE PANNEAU	KK	1		
3006305022	HALTER SICH.THERM.	SUPPORTO LIMITAT.	LIMITER SUPPORT	SUPPORT LIMITEUR	KKE	1		
3006305240	HALTER KLEMME SCHÜTZ	SUPPORTO MORSETT.	TERMINAL SUPPORT	SUPPORT BORNE	KKE	1		
3006305274	HALTER KLEMME	SUPPORTO MORSETTO	TERMINAL SUPPORT	SUPPORT BORNE	KKE	1		
3006306109	HALTER EINFASSUNG	SUPPORTO PIANO	HOB SUPPORT	SUPPORT PLAN	G/85	2		
3006306877	HALTER ETIKETT	SUPPORTO ETICHETTA	SUPPORT LABEL	SUPPORT ETIQUETTE	KK	1		
3006801981	ISOLIERPLATTE KLEMME 4-5POLIG	ISOLAZIONE BACHELITE 4-5 POLI	INSULATION 4-5 POLE BAKELITE	ISOLATION BAKELITE 4-5 POLES		1		
3006801998	ISOLIERPLATTE KL. 3+4-POLIG	ISOLAZIONE MORSETT.3+4 ATT.	TERMINAL INSULAT. 3+4 ATT.	ISOLATION BORNE 3+4 ATT.		1		
3008304247	TRÄGER EINFASSUNG	PORTANTE FASCIA	CONNECT.STRIP SUPT.	PORTANT BANDE	G/80	1		
3008305184	TRÄGER LÄNGS UNTEN	PORTANTE LON.INF.	MEMBER LONG. BOTT.	PORTANT LON.INF.	KK	1		
3008305642	TRÄGER LÄNGS HINT.	PORTANTE LON. POST.	MEMBER LONGIT.REAR	PORTANT LON.ARRIER.	G/80	1		
3008705242	MANTEL ISOL.VORNE	MANTELLINO ISOL.ANT.	INSUL.JACKET FRONT	MANTEAU ISOL.AVANT	KKE/100	1		
3008705245	MANTEL ISOL.HINTEN	MANTELLINO ISOL.POST.	INSUL.JACKET REAR	MANTEAU ISOL.ARRIE.	KKE/100	1		
3008905255	LAGER DECKELHUB L.	SUPPORTO CERN.SIN.	HINGE SUPPORT LH	SUPPORT CHARN.GCHE	KK	1		
3008905256	LAGER DECKELHUB R.	SUPPORTO CERN.DEST.	SUPPORT RH HINGE	SUPPORT CHARN.DRT.	KK	1		
3009606852	STIFT ANSCHLAG DECKEL	PERNO BATTUTA COPERCHIO	COVER THRUST PIN	PIVOT BUTEE COUVERCLE	KK	2		
3014201570	VERSTÄRKUNG EINLAUF	RINFORZO CARIC.ACQ.	WATER INTAKE STIFF.	RENFORT ARRIVEE EAU	KK	1		
3014204295	VERSTÄRKUNG RÜCKW.	RINFORZO SCHIENA	STIFFENER BACK	RENFORT DOS	G/80-160	1		
3022203247	ROSETTE INOX 1"	GHIERA INOX 1"	RING STAINLESS STEEL 1"	FRETTE INOX 1"	KK	1		
3022205178	ROSETTE AUSLAUFHAHN	GHIERA	RING	FRETTE	KK 1 1/2"	1		
3040406163	MUTTER DECKELHUB	DADO ALZACOPERCHIO	NUT COVER LIFT	ECROU LEVE COUVERCL.	KK	1		
3500505247	ROHR E-ANSCHLUSS	TUBO ATTACCO ELT.	ELEC.CONNECT.TUBE	TUYAU ARRIVEE ELEC	KKE	1		

ERSATZTEILLISTE		LISTA COLLEGARI	LIST OF PARTS	LIST DES COMPOSANTS	26.07.91	
COD.	BESCHREIBUNG	DESCRIZIONE	DESCRIPTION	DESCRIPTION	QUANT.	
0107005934	ELT-KOCHKESSEL	PENTOLA ELETTRICA	ELECTRIC KETTLE	MARMITE ELECTRIQUE	KKE/100	PAG. 2
3500805332	ABDECKUNG KAMIN N	CRUSCOTTO CAMINO N	FLUE BLANK PANEL	TABLEAU CHEMINEE N	G/80	1
3508304243	TRÄGER QUER UNT.L	PORTANTE TRAS.INF.S	MEMBER CROSS BOT.LH	PORTANT TRANS.INF.G.	G/85	1
3508305183	TRÄGER LÄNGS VORNE	PORTANTE LONG.ANT.	MEMBER LONG. FRONT	PORTANT LONG.AVANT	KK	1
3508305473	TRÄGER FUSS	SUPPORTO PIED	FOOT SUPPORT	SUPPORT PIED	G/85	4
3508308224	TRÄGER QUER UNT.R.	PORTANTE TRAS.INF.D.	MEMBER CROSS BOT.RH	PORTANT TRANS.INF.D.	G/85	1
3509704298	RÜCKWAND	SCHIENA	BACK	DOS	G/80	1
3511505608	SEITENWAND LINKS	FIANCO SINISTRO	SIDE LH	COTE GAUCHE	KK	1
3511508229	SEITENWAND RECHTS	FIANCO DESTRO	SIDE RH	COTE DROIT	KK	1
3511805172	SCHALTBLLENDE	PANNELLO COMANDO	CONTROL PANEL	PANNEAU COMMANDE	KKE	1
3512005254	SCHARNIER DECKEL	CERNIERA COPERCHIO	COVER HINGE	CHARNIERE COUVERCL.	KK	1
3551003924	NIPPEL AUSL.1 1/2"	NIPPLO SCAR.1 1/2"	NIPPLE DRAIN 1 1/2"	NIPPLE DECH.1 1/2"	KK	1
5000508009	ROHR WASSEREINLAUF 1/2" 90°	TUBO EROGAZIONE ACQUA 1/2"	WATER SUPPLY PIPE 1/2"	TUYAU DISTRIBUT. EAU 1/2"		1
5000804444	ABDECKUNG AUSLAUF 1"1/2	FILTRO SCARICO PENTOLA 1"1/2	KETTLE DRAIN FILTER 1"1/2	FILTRE DECHARGE MARMIT.1"1/2	KK	1
5001804340	BLLENDE-ABSCHLUSS	TERMINALE CRUSCOTTO	PANEL ENDPiece	EXTREMITE TABLEAU	S/85	2
5003104149	DECKEL DOPPELWANDIG	COPERCHIO + CONTROBOMBATO	COVER + COUNTER-PLATE	COUVERCLE + INTERIEUR	KK	1
5004605409	FUSS VERSTELLBAR	PIEDINO REGOLABILE	ADJUSTABLE FOOT	PIED REGLABLE	G/85	4
5004705386	FEDER DECKELHUB	MOLLA ALZACOP.	SPRG.COVER LIFT	RESSORT LEVE COUV	KK/75/100/130	1
5005607354	GRIFF DECKEL I 280/65 M10	MANIGLIA I 280/65 M10	HANDLE I 280/65 M10	POIGNEE I 280/65 M10	KK	1
5006802767	ISOLIERUNG GLASWOLLE	PANNELLO ISOLANTE 2400x500x25	INSULATING PANEL 2400x500x25	PANNEAU ISOLANT	2400x500	1
5007004322	KOCHKESSEL	PENTOLA ELETTRICA	ELECTRIC KETTLE	MARMITE ELECTRIQUE	KKE/100	1
5017303768	DICHTUNG O-RING 46,99x5,33	GUARNIZIONE OR D=46,99x5,33	GASKET OR D=46,99x5,33	JOINT TORIQUE OR D=46,99x5,33		3
5018000055	PROBIERHAHN 3/8"	RUBINETTO DI LIVELLO 3/8"	LEVEL COCK 3/8"	ROBINET DE NIVEAU 3/8"	KK	1
5018003416	WASSERARMATUR ROT 1/2"	RUBINETTO INCASSO 1/2" ROSSO	COCK FITTED 1/2" RED	ROBINET ENCASTR. 1/2" ROUGE		1
5018007357	WASSERARMATUR BLAU 1/2"	RUBINETTO INCASSO 1/2" BLU	COCK FITTED 1/2" BLUE	ROBINET ENCASTR. 1/2" BLEU		1
5018007363	SICHERHEITS-ENTLEERH. 1 1/2"	RUBINETTONE SCARICO 1 1/2"	DRAIN COCK 1 1/2"	GROS ROBINET DECHAR.1 1/2"		1
5018007443	SICHERHEITSARMATUR 0,5 BAR	DISPOSITIVO SICUREZZA 0,5 BAR	SAFETY DEVICE 0.5 BAR	DISPOSITIF SECURITE 0,5 BAR		1
5020704262	THERMOMETER THERMOSTAT	TERMOMETRO TERMOSTATO	THERMOSTAT THERMOMETER	THERMOMETRE THERMOSTAT	KK	1
5022202411	ROSETTE VERCHROMT 3/8"	GHIERA 3/8" CROMATA	RING 3/8" CHROME-PLATED	FRETTE 3/8" CHROMEE		1
5022904345	SCHALTKNOPF ELT.4T S/85	MANOPOLA ELT. 4-T	ELEC. KNOB 4-T	POIGNEE ELECT. 4-T		1
5027207356	MANOMETER 0-1,5 BAR D=60	MANOMETRO 0-1,5 BAR	PRESS.GAUGE 0-1.5 BAR D=60	MANOMETRE 0-1,5 BAR D=60		1
5040302692	MUTTER 6KT 1/2" VERZ.FIG.332	DADO ES ZINCATO FIG.312 1/2"	NUT HEX.GALVAN. FIG.312 1/2"	ECROU ES ZINGUE FIG.312 1/2"		1
5041002641	6KT SCHRAUBE M10x20 INOX 18/8	VITE TE ME10x20 INOX 18/8	SCREW TE ME STAINL ESS STEEL	VIS TE ME10x20 INOX 18/8		2
5050201272	BLINDSTOPFEN MS 1/2" ART.452	CALOTTA OT MASCH.1/2" ART.452	CAPSCREW BRASS MALE 1/2"	CALOTTE LAI.MALE 1/2" ART.452		1
5051001277	NIPPEL REDUZ. MS 3/8">1/4"	NIPPLO RIDUZ.OTT.3/8">1/4"	NIPPLE RIDUC.BRA.3/8">1/4"	NIPPLE REDUC.LAI.3/8">1/4"		1
5051001286	DOPPELNIPPEL MS 3/8" ART.441	NIPPLO DOP.OTTONE 3/8"ART.441	NIPPLE DOUB.BRASS 3/8"ART.441	NIPPLE DOUBLE LAI.3/8"ART.441		1
5051001287	DOPPELNIPPEL MS 1/2" ART.441	NIPPLO DOP.OTTONE 1/2"ART.441	NIPPLE DOUB.BRASS 1/2"ART.441	NIPPLE DOUBLE LAI.1/2"ART.441		2
5051101291	T-STÜCK MESSING 3/8" ART.461	T OTTONE FEMMINA 3/8" ART.461	T BRASS FEMALE 3/8" ART.461	T LAITON FEMELLE 3/8" ART.461		1
5051101292	T-STÜCK MESSING 1/2" ART.461	T OTTONE FEMMINA 1/2" ART.461	T BRASS FEMALE 1/2" ART.461	T LAITON FEMELLE 1/2" ART.461		1
5051206145	KONUS-QUETSCHVERSCHR. 1/2x12	DADO ADATTATORE DI PRESSIONE	PRESSURE ADAPTOR NUT	ECROU ADAPTATEUR DE PRES.		1
5051220032	ROHRVERSCHRAUBUNG MS 1/2">12	RACCORDO DIRITTO 1/2">12	STRAIGHT FITTING 1/2">12	RACCORD DROIT 1/2">12		3
5060502377	ANSCHLUSSKLEMME 4-POLIG	MORSETTERIA 8016 V/4 DS KR	TERMINAL 8016 V/4 DS KR	BORNE 8016 V/4 DS KR		1
5060507679	ANSCHLUSSKLEMME 5-POLIG	MORSETTIERA 8016 V/5 DS KR	TERMINAL 8016 V/5 DS KR	BORNE 8016 V/5 DS KR		1
5060807384	HEIZKÖRPER 4500W	RESISTENZA 4500W	HEAT.ELEM. 4500W	RESISTANCE 4500W	EKK	2

E ZATZTEILLISTE		LISTA ARTICOLARI	LIST OF PARTS	LIST DES COMPOSANTS	26.07.91
0107005934	ELT-KOCHKESSEL	PENTOLA ELETTRICA	ELECTRIC KETTLE	MARMITE ELECTRIQUE	KKE/100 PAG. 3
COD.	BESCHREIBUNG	DESCRIZIONE	DESCRIPTION	DESCRIPTION	QUANT.
5060807386	HEIZKÖRPER 6000W	RESISTENZA 6000W	HEAT.ELEM. 6000W	RESISTANCE 6000W	KKE 1
5060904035	STUFENSCHALTER 4T.	COMMUTATORE 4 POS.	SWITCH 4 POS.	COMMUTATEUR 4 POS.	KKE 1
5061103271	SIGNALLEUCHTE TYP	LAMPE TEMOIN TYPE	LAMP TEMOIN TYPE	LAMPE TEMOIN TYP	VOY SI16A 1
5061103274	GLIMMLAMPE NEON	LAMPADA SPIA NEON	INDIC. LIGHT NEON	LAMPE TEMOIN NEON	BA 9S 220V 1
5061307558	PRESSOSTAT EGO	PRESSOSTATO EGO TARATURA	PRESS.SWITCH EGO SETTING 0.45	PRESSOSTAT EGO TARAGE 0,45	KK 0,45 BAR 1
5061407226	SCHÜTZ	CONTATTORE C4 220V	CONTACTOR C4 220V	CONTACTEUR	C4 220V 3
5061603828	SICHERHEITSTHERMOSTAT	TERMOSTATO LIMITATORE	LIMITER THERMOSTAT	THERMOSTAT LIMITEUR	KKE/PE 1
5207400705	HOLZVERSCHLAG	IMBALLO LEGNO	WOODEN CRATE	EMBALLAGE BOIS	S/80 1