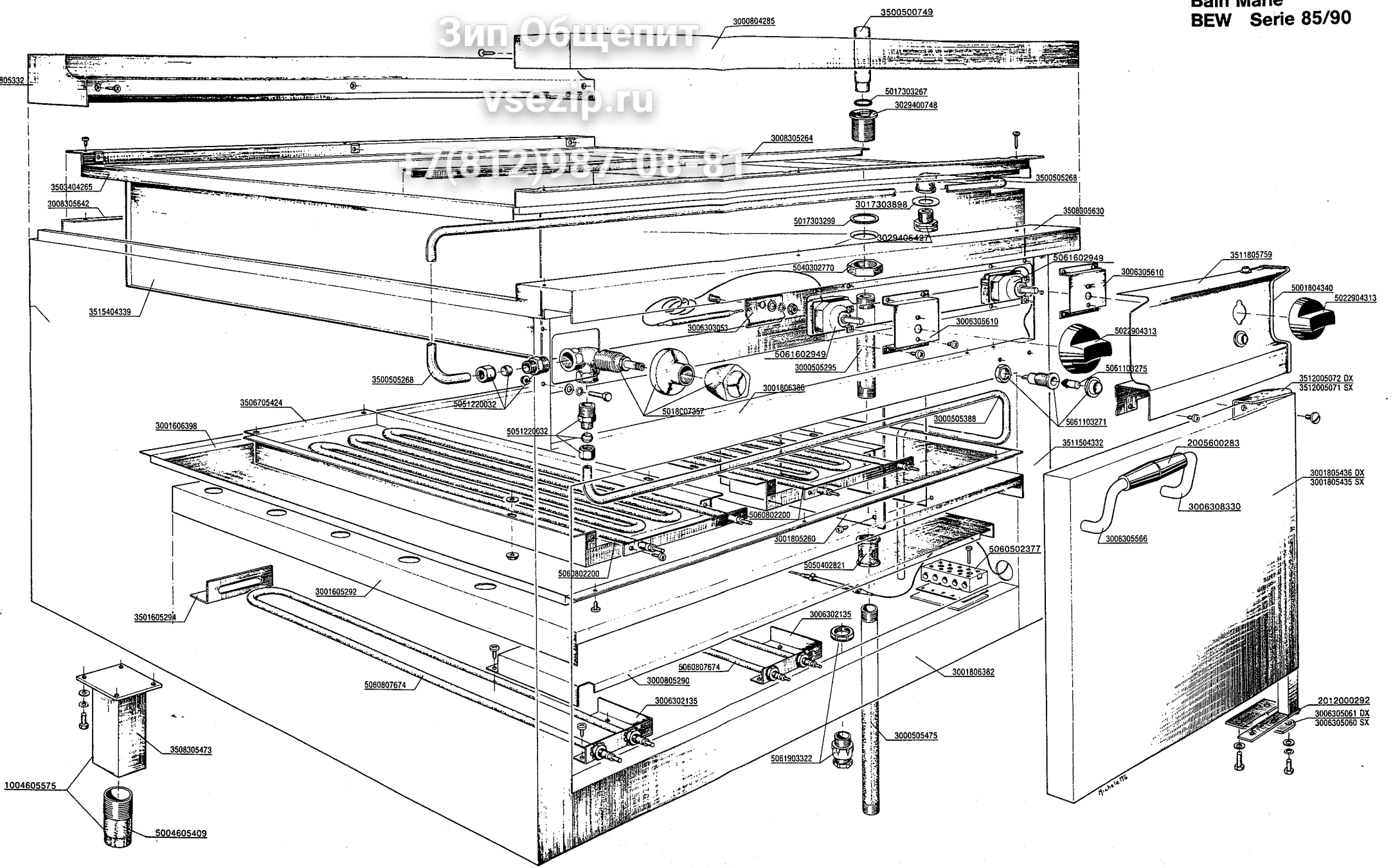


Зип Общепит
vsezip.ru

7(812)987 08 81



ERSATZTEILLISTE	LISTA ARTICOLARI	LIST OF PARTS	LIST DES COMPOSANTS	26.07.91	
0114805895	ELT-WASSERBAD	BAGNOMARIA ELT.	BAIN MARIE ELEC.	BEW/80 PAG.1	
COD.	BESCHREIBUNG	DESCRIZIONE	DESCRIPTION	DESCRIPTION	QUANT.
1013506531	KABELSATZ	IMPIANTO CAVI ELT. BEW/BEL/80	ELEC. WIRING ASSY.	INSTAL.CABLES ELEC	BEW/BEL/80 1
2005600283	GRIFF BACKROHRTÜR	MANIGLIA PORTINA	DOOR HANDLE	POIGNEE PORTE	BG/BE/85 2
2012000292	SCHARNIER TÜR	CERNIERA PORTINA	DOOR HINGE	CHARNIERE PORTE	M/KT 2
3000505295	ROHR ABL. 3/4"x145	TUBO SCARICO 145mm	DRAIN PIPE 145mm	TUYAU DECHAR.145mm	BE/40/80 1
3000505388	ROHR EINLAUF WASS.	TUBO CARICO ACQUA	WATER INTAKE PIPE	TUYAU ARRIVEE EAU	BE/80 1
3000505475	ROHR VERLÄNGERUNG	TUBO RACCORDO	PIPE FITTING	TUYAU RACCORD	G/85 1
3000804285	ABDECKUNG EINFASS.	CRUSCOTTO PIANO	HOB PANEL	TABLEAU PLAN	G/80 1
3000804292	ABDECKUNG SEITE L.	CRUSCOTTO LATER.S.	PANEL LH SIDE	TABLEAU COTE GAUCH.	G/85 1
3000805063	ABDECKUNG SCHALT.L.	PROTEZIONE PANN.S.	PROTECTION LH PAN.	PROTECTION PANN.G.	G/85 1
3000805209	ABDECKUNG HEIZK.	PROTEZIONE RESIST.	HEAT.ELEM. COVER	PROTECTION RESIST.	UBW/80 1
3000805290	ABDECKUNG E-ANSCHL.	PROTEZIONE ELETTR.	ELEC. PROTECTION	PROTECTION ELECTR.	UBW/40/80 1
3000808271	ABDECKUNG SEITE R.	CRUSCOTTO LATER.D.	PANEL RH SIDE	TABLEAU COTE DROIT	G/85 1
3000808273	ABDECKUNG SCHALT.R.	PROTEZIONE PANN.D.	PROTECTION RH PAN.	PROTECTION PANN.D.	G/85 1
3001605292	BODEN WÄRMESCHRANK	FONDO ARMADIO CALD	HOTPRESS BOTTOM	FOND ETUVE	UBW/80 1
3001605313	BODEN MITTELFACH	FONDO TRAMEZZA	PARTITION BOTTOM	FOND CLOISON	UBO/UBW/80 1
3001606398	BODEN OBEN	FONDO SUPERIORE	BOTTOM UPPER	FOND SUPERIEUR	UBO/80 1
3001805260	BLLENDE ANSCHLUSS	CRUSCOTTO ALLACC.	PANEL CONNECTIONS	TABLEAU BRANCHEME.	UBO/UBW/85 1
3001805435	BLLENDE TÜR LINKS	BOMBATO PORTINA S.	CONV.DOOR SECT. LH	PORTE BOMBEE	G/40 1
3001805436	BLLENDE TÜR RECHTS	BOMBATO PORTINA D.	CONV.DOOR SECT. RH	PORTE BOMBEE	G/40 1
3001806382	BLLENDE UNTEN	CRUSCOTTO INF.	PANEL BOTTOM	TABLEAU INF.	UBO/80 1
3001806386	BLLENDE OBEN	CRUSCOTTO SUP.	PANEL TOP	TABLEAU SUP.	UBO/80 1
3003405600	EINFASSUNG VERB.	FASCIA RACCORDO	CONNECTION STRIP	BANDE RACCORD	G/85 1
3004505297	SCHIENE GN	GUIDA GN	GUIDE GN	GUIDE GN	UBO/UBW 2
3004605432	FUSS VIERKANTROHR	PIEDINO ESTERNO	FOOT EXTERNAL	PIED EXTERNE	G/85 4
3005605398	GRIFF SCHALTBLLENDE	MANIGLIA PANNELLO	PANEL HANDLE	POIGNEE PANNEAU	G/80 1
3005705437	GEGENBLLENDE TÜR	CONTROBOMBATO PORT.	DOOR COUNTER-SECT.	INTERIEUR PORTE	G/40 2
3006302134	HALTER HEIZK.H.	SUPPORTO RESIST.P.	HEAT.ELEM.SUPT.REAR	SUPPORT RESIST.ARR.	WS/35/40 2
3006302135	HALTER HEIZK.V.	SUPPORTO RESIST.A.	HEAT.ELEM.SUPT.FRONT	SUPPORT RESIST.AVT.	WS/35/40 2
3006303053	HALTER FÜHLER	SUPPORTO BULBO	PROBE SUPPORT	SUPPORT SONDE	BM 1
3006303611	HALTER ROHR WASSER	SUPPORTO TUBO ACCUA	WATER PIPE SUPPORT	SUPPORT TUYAU EAU	BM 1
3006305060	HALTER SCHARNIER L.	SUPPORTO CERN. SIN.	SUPPORT LH HINGE	SUPPORT CHARN.GCHE.	G/85 1
3006305061	HALTER SCHARNIER R.	SUPPORTO CERN.DEST.	SUPPORT RH HINGE	SUPPORT CHARN.DRT.	G/85 1
3006305566	HALTER GRIFF L.	SUPPORTO MANIGL.S.	SUPPORT LH HANDLE	SUPPORT POIGNEE G.	G/85 2
3006305610	HALTER THERMOSTAT	SUPPORTO TERMOSTAT	SUPPORT THERMOSTAT	SUPPORT THERMOSTAT	BE/40/80 2
3006305623	HALTER WASSERHAHN	SUPPORTO RUBINETTO	COCK SUPPORT	SUPPORT ROBINET	BE/40/80 1
3006306109	HALTER EINFASSUNG	SUPPORTO PIANO	HOB SUPPORT	SUPPORT PLAN	G/85 2
3006308330	HALTER GRIFF R.	SUPPORTO MANIGL.D.	SUPPORT RH HANDLE	SUPPORT POIGNEE D.	G/85 2
3006801981	ISOLIERPLATTE KLEMME 4-5POLIG	ISOLAZIONE BACHELITE 4-5 POLI	INSULATION 4-5 POLE BAKELITE	ISOLATION BAKELITE 4-5 POLES	1
3008304247	TRÄGER EINFASSUNG	PORTANTE FASCIA	CONNECT.STRIP SUPT.	PORTANT BANDE	G/80 1
3008305264	ZWISCHENSTAPP LANG	TRAMEZZA LUNGA	LONG PARTITION	CLOISON LONGUE	BE/80 1
3008305642	TRÄGER LÄNGS HINT.	PORTANTE LON. POST.	MEMBER LONGIT.REAR	PORTANT LON.ARRIER.	G/80 1
3009600147	STIFT SCHARNIER	PERNO CERNIERA	HINGE PIN	PIVOT CHARNIERE	S/70-S/85 2
3014204295	VERSTÄRKUNG RÜCKW.	RINFORZO SCHIENA	STIFFENER BACK	RENFORT DOS	G/80-160 1

ERSATZTEILLISTE	LISTA PARTICOLARI	LIST OF PARTS	LIST DES COMPOSANTS	26.07.91
COD.	BESCHREIBUNG	DESCRIZIONE	DESCRIPTION	QUANT.
0114805895	ELT-WASSERBAD	BAGNOM. ELEC.	BAIN MARIE ELEC.	BEW/80 PAG.2
3014205438	VERSTÄRKUNG TÜR	RINFORZO PORTINA	DOOR STIFFENER	G/40 2
3017303898	DICHTUNG TEFLON	GUARNIZIONE TEFLON 30x22x2	GASKET TEFLON 30x22x2	30x22x2 BE 1
3029400748	ABLAUF 1" VERCHR.	PILETTA SCAR.CROM.1"	DRAIN STUB CHROME.1"	BE/40/80 1
3029405427	WASSEREINLAUF 1/2"	EPICENTRO ACCIAI 1/2"	WATER DISTRIB. 1/2"	BE/80 1
3500500749	ROHR WASSERÜBERL.	PILETTA TROPPOPIENO	OVERFLOW STUB	BONDE TROP-PLEIN 1
3500505268	ROHR VERBINDUNG	TUBO RACCORDO	PIPE FITTING	BE/40/80 1
3500805332	ABDECKUNG KAMIN N	CRUSCOTTO CAMINO N	FLUE BLANK PANEL	TUYAU RACCORD BE/80 1
3501605294	BODEN HEIZKÖRPER	FONDO RESISTENZA	HEAT.ELEM. BOTTOM	TABLEAU CHEMINEE N. G/80 1
3503404265	EINFASSUNG	PIANO BAGNOMARIA	BAIN MARIE HOB	FOND RESISTANCE UBW/80 1
3506705424	ISOLIERBLECH HEIZK.	LAMIERA ISOL.RESIS.	HEAT.ELEM.INSUL.PLATE	PLAN BAIN MARIE BE/80 1
3508304243	TRÄGER QUER UNT.L	PORTANTE TRAS.INF.S.	MEMBER CROSS BOT.LH	TOLE ISOL.RESIST. BE/40/80 2
3508305473	TRÄGER FUSS	SUPPORTO PIEDE	FOOT SUPPORT	PORTANT TRANS.INF.G. G/85 1
3508305630	TRÄGER LÄNGS VORNE	PORTANTE LON.ANT.	MEMBER LONG.FRONT	SUPPORT PIED G/85 4
3508308224	TRÄGER QUER UNT.R.	PORTANTE TRAS.INF.D.	MEMBER CROSS BOT.RH	PORTANT LON.AVANT BE/80 1
3508706312	MANTEL WÄRMESCHR.	MANTELLINO ARM.CALDO	HOTPRESS JACKET	PORTANT TRANS.INF.D. G/85 1
3509704298	RÜCKWAND	SCHIENA	BACK	MANTEAU ETUVE UBW/80 1
3511504311	SEITENWAND OFFEN L.	FIANCO APERTO SIN.	SIDE OPEN LEFT	DOS G/80 1
3511504332	SEITENWAND OFFEN R.	FIANCO APERTO DEST.	SIDE OPEN RIGHT	COTE OUVERT GAUCHE G/80 1
3511819083	SCHALTBLLENDE	PANNELLO COMANDO	CONTROL PANEL	COTE OUVERT DROIT G/85 1
3512005071	SCHARNIER OBEN L.	CERNIERA SUP.SIN.	HINGE LH SUPPORT	PANNEAU COMMANDE BEW/80 1
3512005072	SCHARNIER OBEN R.	CERNIERA SUP.DEST.	HINGE RH SUPPORT	CHARNIERE SUP.GCHE G/85 1
3515404339	WANNE	VASCA	PAN	CHARNIERE SUP.DRT. G/85 1
5001804340	BLLENDE-ABSCHLUSS	TERMINALE CRUSCOTTO	PANEL ENDPICE	CUVE BE/80 1
5004605409	FUSS VERSTELLBAR	PIEDINO REGOLABILE	ADJUSTABLE FOOT	EXTREMITE TABLEAU S/85 2
5004703314	FEDER FÜHLERHALTER	FERMAGLIO BULBO	PROBE CLIP	PIED REGLABLE G/85 4
5006805308	ISOLIERUNG GLASWOLLE	PANNELLO ISOLANTE 480x180x25	INSULATING PANEL 480x180x25	ATTACHE SONDE UBG/UBE/WS 2
5017300269	DICHTUNG CU	GUARNIZIONE CU 21,5x28x1,5	GASKET CU 21.5x28x1.5	PANNEAU ISOLANT 480x180 2
5017303267	DICHTUNG O-RING	ANELLO OR 20,22x3,53	O-RING 20.22x3.53	JOINT TORIQUE CU 21,5x28x1,5 21,5x28x1,5 1
5017303299	DICHTUNG GUMMI 1"	GUARNIZIONE GOMMA DA 1"	GASKET RUBBER	BAGUE OR 20,22x3,53 20,22x3,53 1
5018007357	WASSERARMATUR BLAU 1/2"	RUBINETTO INCASSO 1/2" BLU	COCK FITTED 1/2" BLU	JOINT EN CAOUTCHOUC 1" 1
5022904313	SCHALTKNOPF	MANOPOLA 30o-110o	KNOB	ROBINET ENCASTR. 1/2" BLEU 1
5027609400	ROLLE KUNSTSTOFF GERÄTE	BOCCOLA NYLON	BUSHING NYLON 66 NATURAL	POIGNEE 30o-110o 2
5040302770	MUTTER 6KT 1" VERZ.FIG.312	DADO ES ZINCATO FIG.312 1"	NUT HEX.GALVAN. FIG.312 1"	BOUCLE NYLON 66 NATUREL 2
5050402821	MUFFE VERZ.FIG.270 3/4"	MANICOTTO ZINC.FIG.270 3/4"	SLEEVE GALVAN. FIG.270 3/4"	ECROU ES ZINGUE FIG.312 1" 1
5051204013	WINKELVERSCHRAUBUNG 1/2">12	GOMITO BRONZO 1/2">12	ELBOW BRONZE 1/2">12	MANCHON ZINGUE FIG.270 3/4" 1
5051220032	ROHRVERSCHRAUBUNG MS 1/2">12	RACCORDO DIRITTO 1/2">12	STRAIGHT FITTING 1/2">12	COUDE BRONZE 1/2">12 1
5060502377	ANSCHLUSSKLEMME 4-POLIG	MORSETTERIA 8016 V/4 DS KR	TERMINAL 8016 V/4 DS KR	RACCORD DROIT 1/2">12 2
5060802200	HEIZKÖRPER 2000W 380V	RESISTENZA 2000W 380V	HEAT.ELEM. 2000W 380V	BORNE 8016 V/4 DS KR 1
5060807674	HEIZKÖRPER 800W 380V	RESISTENZA 800W 380V	HEAT.ELEM. 800W 380V	RESISTANCE 2000W 380V BE/40 2
5061103271	SIGNALLEUCHE TYP	LAMPE TEMOIN TYP	LAMP TEMOIN TYPE	RESISTANCE 800W 380V WS/40 2
5061103275	GLIMMLAMPE NEON	LAMPADA SPIA NEON	INDIC. LIGHT NEON	LAMPE TEMOIN TYP VOY SI16A 2
5061608580	THERMOSTAT 1-POLIG 30o-110o	TERMOSTATO UNIPOL. 30o-110o	THERMOSTAT UNIPOL.	LAMPE TEMOIN NEON BA 9S 380V 2
5061903322	VERSCHRAUBUNG PG16 ART.	PASSACAPO PVC PG/16 N 106	GROMMET PVC PG/16 N 106	THERMOSTAT UNIPOL. 30o-110o 2
				OEILLET PVC PG/16 N 106 106/16 1

ERSATZTEILLISTE

LISTA ARTICOLARI

LIST OF PARTS

LIST DES COMPOSANTS

26.07.91

0114805895

ELT-WASSERBAD

BAGNOMARIA ELT.

BAIN MARIE ELEC.

BAIN MARIE ELECTR.

BEW/80 PAG.3

COD.

BESCHREIBUNG

DESCRIZIONE

DESCRIPTION

DESCRIPTION

QUANT.

5061903541

KABELDURCHLASS HEYCO

BOCCOLA PASSACAVI HEYCO

CABLE GROMMET HEYCO D=30

OUSSINET OEILLET HEYCO

D=30

1

5207400705

HOLZVERSCHLAG

IMBALLA LEGNO

WOODEN CRATE

EMBALLAGE BOIS

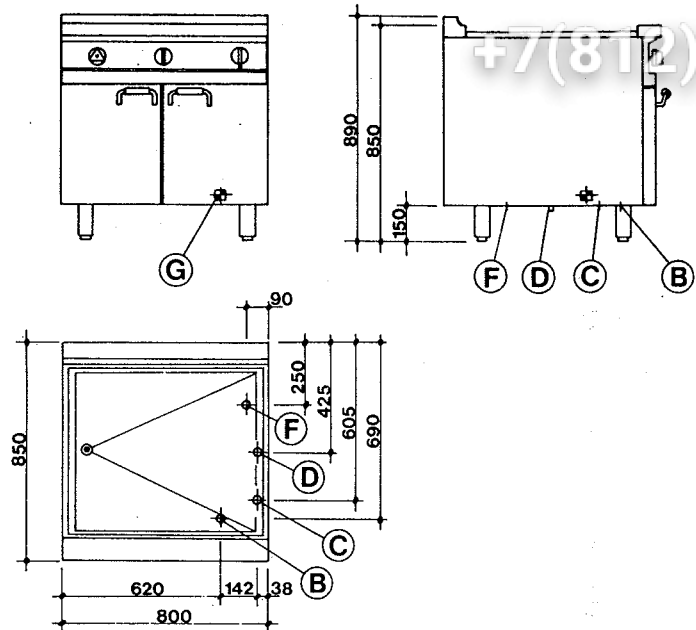
S/80

1

BEW / 80

vsezip.ru

+7(812)987-0800



KABELINFÜHRUNG
 PASSAGIO
 CABLE ENTRY
 ENTREE DE CABLE

ELT. ANSCHLUSSKLEMME
 MORSETTIERA ARRIVO LINEA
 CONNECTION SUPPLY TERMINAL
 RACCORD BORNE D'ALIMENTATION

SCHRAUBE FÜR POTENTIALAUSGLEICH
 VITE DI COMPENSAZIONE POTENZIALE
 SCREW FOR POTENTIAL COMPENSATION
 VIS DE COMPENSATION DE POTENTIEL

WASSERANSCHLUSS Ø 12 mm
 COLLEGAMENTO ACQUA Ø 12 mm
 WATER CONNECTION Ø 12 mm
 PRISE D'EAU Ø 12 mm

WASSERABLAUF 3/4"
 SCARICO ACQUA 3/4"
 WATER DRAIN 3/4"
 ECOULEMENT D'EAU 3/4"

HEIZKÖRPER WASSERBAD RESISTENZA BAGNOMARIA HEATING ELEMENT BAIN-MARIE ELEMENT DE CHAUFFAGE BAIN MARIE	2 x 2 KW
--	----------

HEIZKÖRPER WÄRMESCHRANK RESISTENZA ARMADIO CALDO HEATING ELEMENT HOT CABINET ELEMENT DE CHAUFFAGE ETUVE	2 x 0,8 KW
--	------------

NENNAUFNAHME POTENZA NOMINALE NOMINAL CONSUMPTION PRISE DE COURANTE	5,6 KW
--	--------

ELEKTRO SCHALTPLAN SCHEMA ELETTRICO
 WIRING DIAGRAM SCHEMA ELECTRIQUE

HEIZKÖRPER WASSERBAD
 RESISTENZE BAGNOMARIA
 HEATING ELEMENTS BAIN-MARIE
 ELEMENTS DE CHAUFFAGE BAIN MARIE

HEIZKÖRPER WÄRMESCHRANK
 RESISTENZE ARMADIO CALDO
 HEATING ELEMENTS HOT CABINET
 ELEMENTS DE CHAUFFAGE ETUVE

