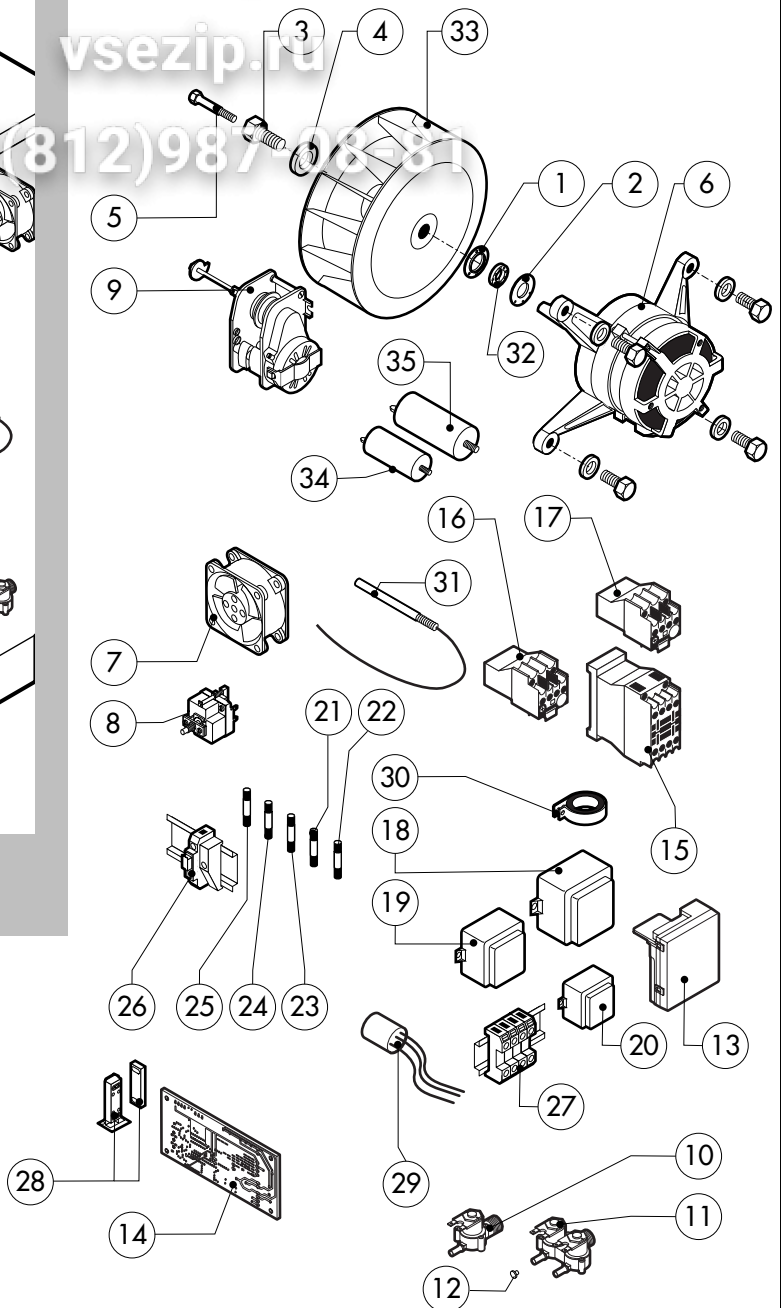
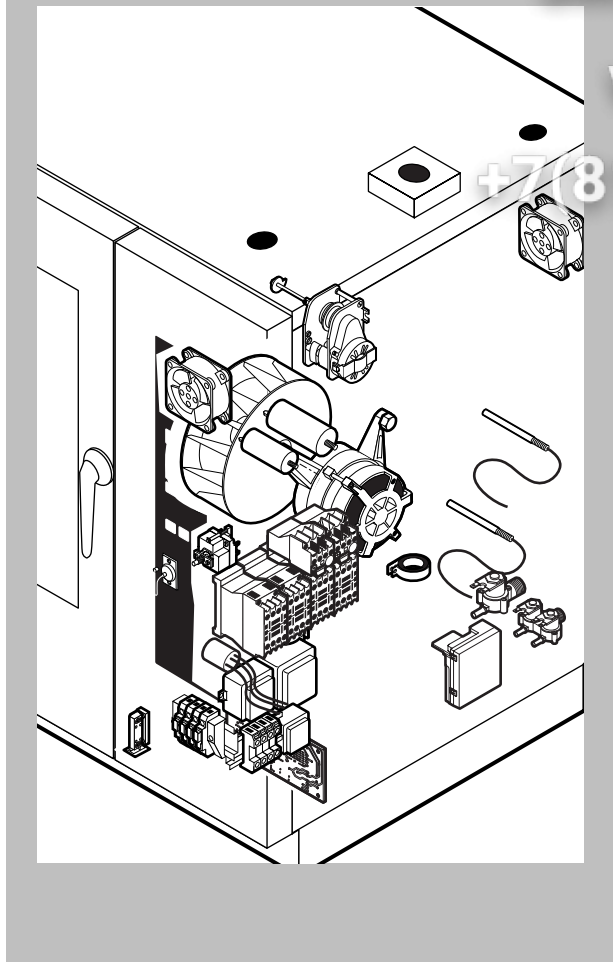


POS.	CODE	PIECES	DESCRIPTION
1	R11101360	1	DOOR
2	R11207360	1	INNER DOOR PANEL
3	R11100140	1	INNER DOOR GLASS
4	R58001760	2	INNER GLASS SOLID HINGE
5	R58001770	2	INNER GLASS HINGE PIN
6	R58001780	2	INNER GLASS CATCH KIT
7	R11401340	1	TOP "C" PROFILE
8	R11401360	1	LOWER "C" PROFILE
9	R11207250	1	LOWER DOOR HINGE
10	R58002520	1	LOWER HINGE PIN
11	R11200560	1	UPPER DOOR HINGE
12	R58002150	1	HINGE PIN
13	R58004050	2	NUT FOR UPPER DOOR HINGE
14	R10401710	1	WASHER FOR UPPER DOOR HINGE
15	R70050100	6	GLASS SILICON SPACERS
16	R70044150	1	GLASS GASKET
17	R66110320	1	DOOR LAMPS CABLE SET
18	R11401440	2	LAMP COVER
19	R71500150	2	GLASS LAMP

POS.	CODE	PIECES	DESCRIPTION
20	R70044200	2	LAMP GASKET
21	R11401450	2	GLASS HOLDER LAMP FLANGE
22	R65270020	2	LIGHT 20W 12V G4
23	R65270450	2	LIGHT SOCKET
24	R65260750	1	LAMPS CONTACT BLOCK
25	R66110300	1	LAMPS CONTACT CABLE SET
26	R11100300	1	DOOR HANDLE ASSEMBLY
27	R69010260	1	DOOR LATCH 1 STEP
28	R69010270	1	DOOR LATCH 2 STEP
29	R69010250	1	DOOR CATCH KIT
30	R69010630	1	INNER DOOR CATCH PLASTIC COVER
31	R61620132	1	PRONG FLANGE



POS.	CODE	PIECES	DESCRIPTION
1	R58003840	1	MOTOR GASKET BRASS FLANGE
2	R58003850	1	MOTOR GASKET BRASS COUNTER FLANGE
3	R58004000	1	FAN SCREW M12x1.5 SX
4	R58004010	1	FAN WASHER Ø 30/12.5
5	R61020562	1	FAN SCREW TE A2 M6x55
6	*R65040031	1	MOTOR 055/015 KW KIT
7	R65060050	2	COMPONENTS VENTILATION MOTOR Ø 120
8	R65070350	1	CHAMBER SAFETY THERMOSTAT
9	R65095000	1	DAMPER SYSTEM
10	R65110200	1	SOLENOID VALVE 220V 50HZ
11	R65110230	1	SOLENOID VALVE 220V 50HZ WITH FLOW REDUCER
12	R65110510	1	15 LT/H WATER FLOW REDUCER
13	R63060120	1	BURNER IGNITION PANEL
14	R63130020	1	GAS BURNER FAN MOTOR PCBOARD
15	*R65140380	4	CONTACTOR 3RT1016-1AP02 240V
16	*R65160580	1	THERMIC PROTECTION 3RU1116-1CB0 1,8-2,5A
17	*R65160600	1	THERMIC PROTECTION 3RU1116-1FB0 3,5-5,0A
18	R65180770	1	TRANSFORMER 50VA
19	R65180430	1	TRANSFORMER 40VA
20	R65180420	2	TRANSFORMER 20VA
21	R65200086	1	FUSE 0.125A (T)

POS.	CODE	PIECES	DESCRIPTION
22	R65200200	1	FUSE 2A
23	R65200120	1	FUSE 1A
24	R65200040	1	FUSE 0.500A (T)
25	R65200040	1	FUSE 0.25A (T)
26	R65210020	5	FUSE CARRIER
27	R65220220	1	TERMINAL BOARD
28	R65265100	1	DOOR SWITCH
29	*R65280210	1	INTERFERENCE SUPPRESSOR
30	*R65280450	1	FERRITE
31	R65325000	2	PROBE PT100
32	R70020050	1	MOTOR GASKET
33	*R75400440	1	FAN Ø 350x114/12 50HZ P.D. KIT
34	*R65190030	1	CAPACITOR 16 µF
35	*R65190090	1	CAPACITOR 12.5 µF

\*COMPONENT SUBMITTED TO CHANGEMENTS CAUSED BY TENSION DIFFERENT FROM THE STANDARD (AC 230V 50HZ)



