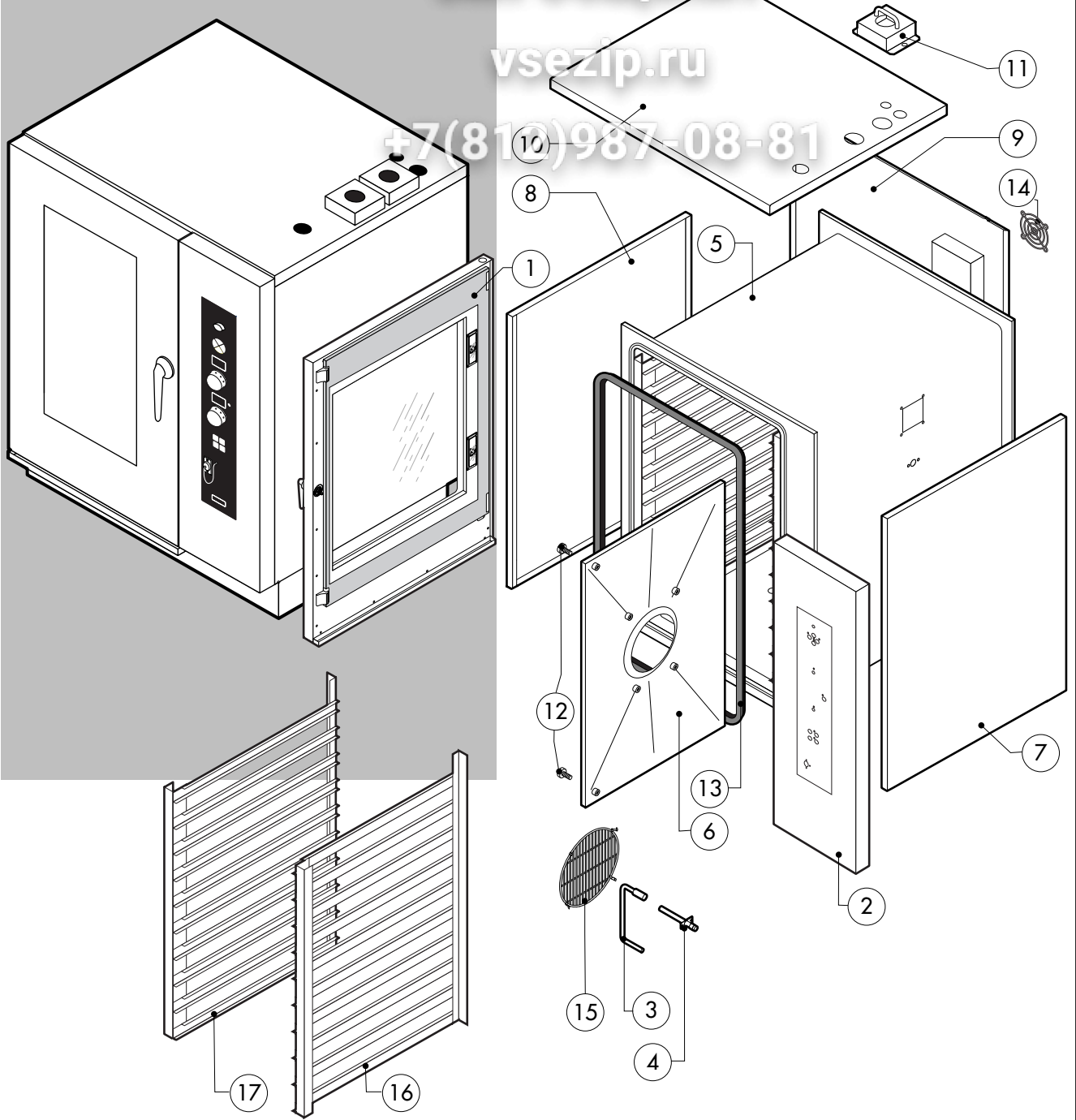


Зип Общепит

vsezip.ru

+7(810)987-08-81

016.40.184.0521 1.50305 DONADINI srl



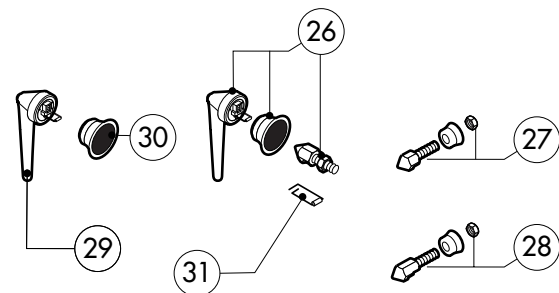
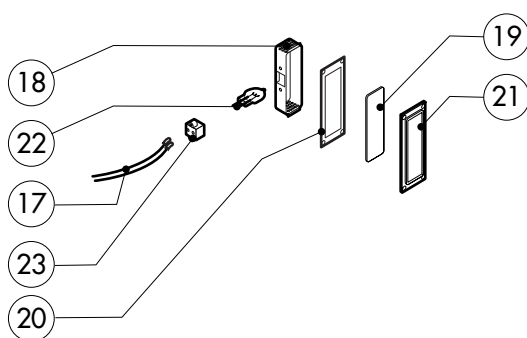
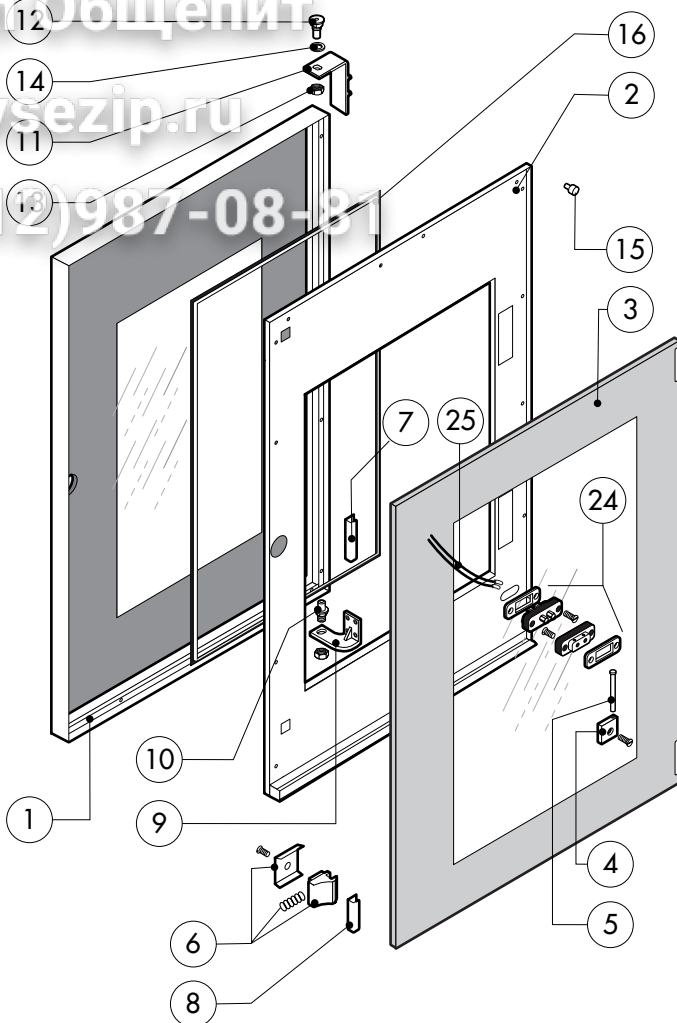
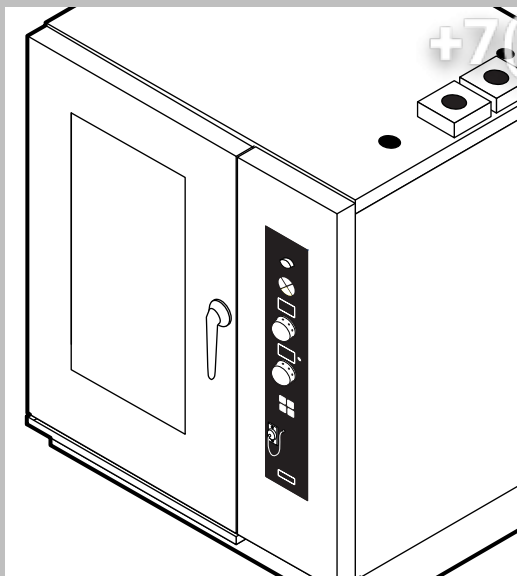
| POS. | CODE | PIECES | DESCRIPTION |
|------|-----------|--------|---------------------------|
| 1 | R14102020 | 1 | DOOR ASSEMBLY |
| 2 | R14211820 | 1 | CONTROL PANEL |
| 3 | R11201970 | 1 | SPRITZER EXTENSION |
| 4 | R11200380 | 1 | SPRITZER UNION |
| 5 | R14102180 | 1 | COOKING CABINET ASSEMBLY |
| 6 | R14211640 | 1 | FAN GUARD PANEL ASSEMBLY |
| 7 | R14422100 | 1 | RIGHT SIDE PANEL |
| 8 | R14422110 | 1 | LEFT SIDE PANEL |
| 9 | R14211760 | 1 | REAR PANEL |
| 10 | R14211260 | 1 | COVER PANEL |
| 11 | R11402980 | 2 | DRAINAGE PIPE PROTECTION |
| 12 | R58003100 | 2 | FAN GUARD FASTENING SCREW |
| 13 | R70044220 | 1 | FRONT GASKET |
| 14 | R75300020 | 1 | FAN GUARD GRID Ø 120 |
| 15 | R75300090 | 1 | FAN GUARD GRID Ø 350 |
| 16 | R14211680 | 1 | REMOVABLE RACK DX |
| 17 | R14211690 | 1 | REMOVABLE RACK SX |

| POS. | CODE | PIECES | DESCRIPTION |
|------|------|--------|-------------|
| | | | |
| | | | |
| | | | |
| | | | |
| | | | |
| | | | |
| | | | |
| | | | |
| | | | |
| | | | |
| | | | |
| | | | |
| | | | |
| | | | |
| | | | |
| | | | |
| | | | |
| | | | |
| | | | |
| | | | |

Зип-Общепит

vsezip.ru

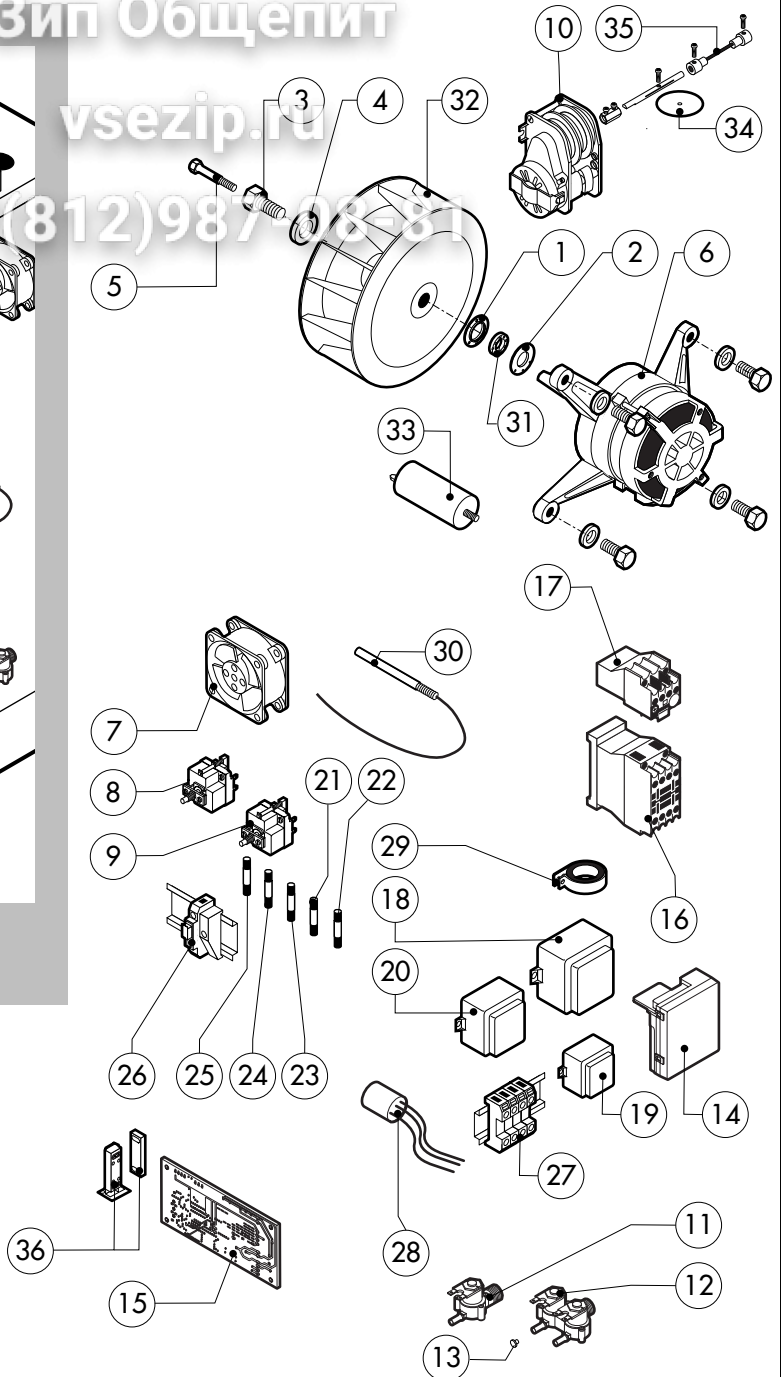
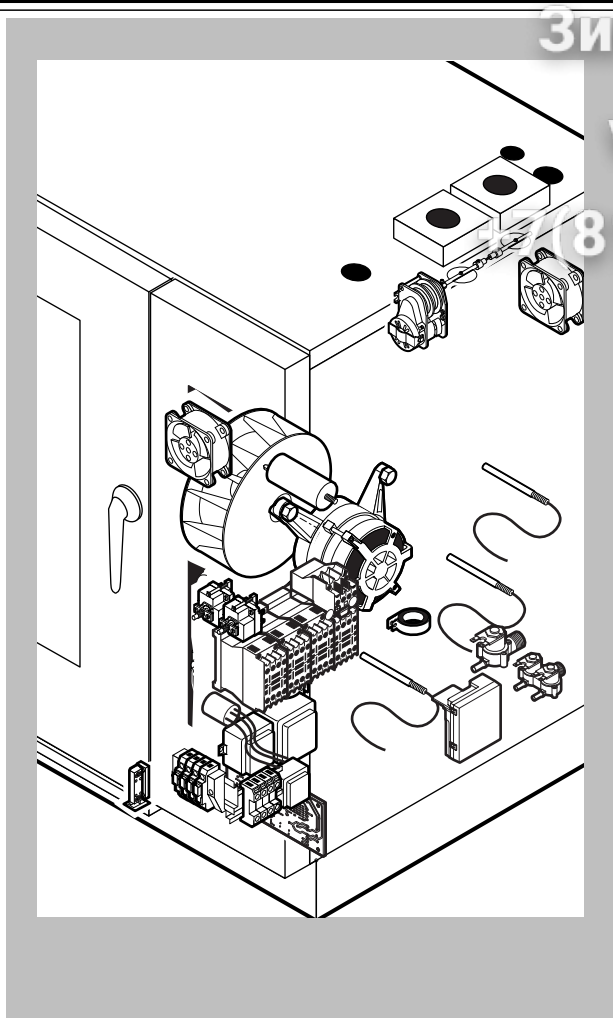
+7(812)987-08-81



| POS. | CODE | PIECES | DESCRIPTION |
|------|-----------|--------|-----------------------------|
| 1 | R14211150 | 1 | DOOR |
| 2 | R14211200 | 1 | INNER DOOR PANEL |
| 3 | R71201660 | 1 | INNER DOOR GLASS |
| 4 | R58001760 | 2 | INNER GLASS SOLID HINGE |
| 5 | R58001770 | 2 | INNER GLASS HINGE PIN |
| 6 | R58001780 | 2 | INNER GLASS CATCH KIT |
| 7 | R11401340 | 1 | TOP "C" PROFILE |
| 8 | R11401360 | 1 | LOWER "C" PROFILE |
| 9 | R11207250 | 1 | LOWER DOOR HINGE |
| 10 | R58002520 | 1 | LOWER HINGE PIN |
| 11 | R11200560 | 1 | UPPER DOOR HINGE |
| 12 | R58002150 | 1 | HINGE PIN |
| 13 | R58004050 | 2 | NUT FOR UPPER DOOR HINGE |
| 14 | R10401710 | 1 | WASHER FOR UPPER DOOR HINGE |
| 15 | R70050100 | 6 | GLASS SILICON SPACERS |
| 16 | R70040640 | 1 | GLASS GASKET |
| 17 | R66110320 | 1 | DOOR LAMPS CABLE SET |
| 18 | R11401440 | 2 | LAMP COVER |
| 19 | R71500150 | 2 | GLASS LAMP |

| POS. | CODE | PIECES | DESCRIPTION |
|------|-----------|--------|--------------------------------|
| 20 | R70044200 | 2 | LAMP GASKET |
| 21 | R11401450 | 2 | GLASS HOLDER LAMP FLANGE |
| 22 | R65270020 | 2 | LIGHT 20W 12V G4 |
| 23 | R65270450 | 2 | LIGHT SOCKET |
| 24 | R65260750 | 1 | LAMPS CONTACT BLOCK |
| 25 | R66110300 | 1 | LAMPS CONTACT CABLE SET |
| 26 | R11100300 | 1 | DOOR HANDLE ASSEMBLY |
| 27 | R69010260 | 1 | DOOR LATCH 1 STEP |
| 28 | R69010270 | 1 | DOOR LATCH 2 STEP |
| 29 | R69010250 | 1 | DOOR CATCH KIT |
| 30 | R69010630 | 1 | INNER DOOR CATCH PLASTIC COVER |
| 31 | R61620132 | 1 | PRONG FLANGE |
| | | | |
| | | | |
| | | | |
| | | | |
| | | | |
| | | | |
| | | | |
| | | | |
| | | | |

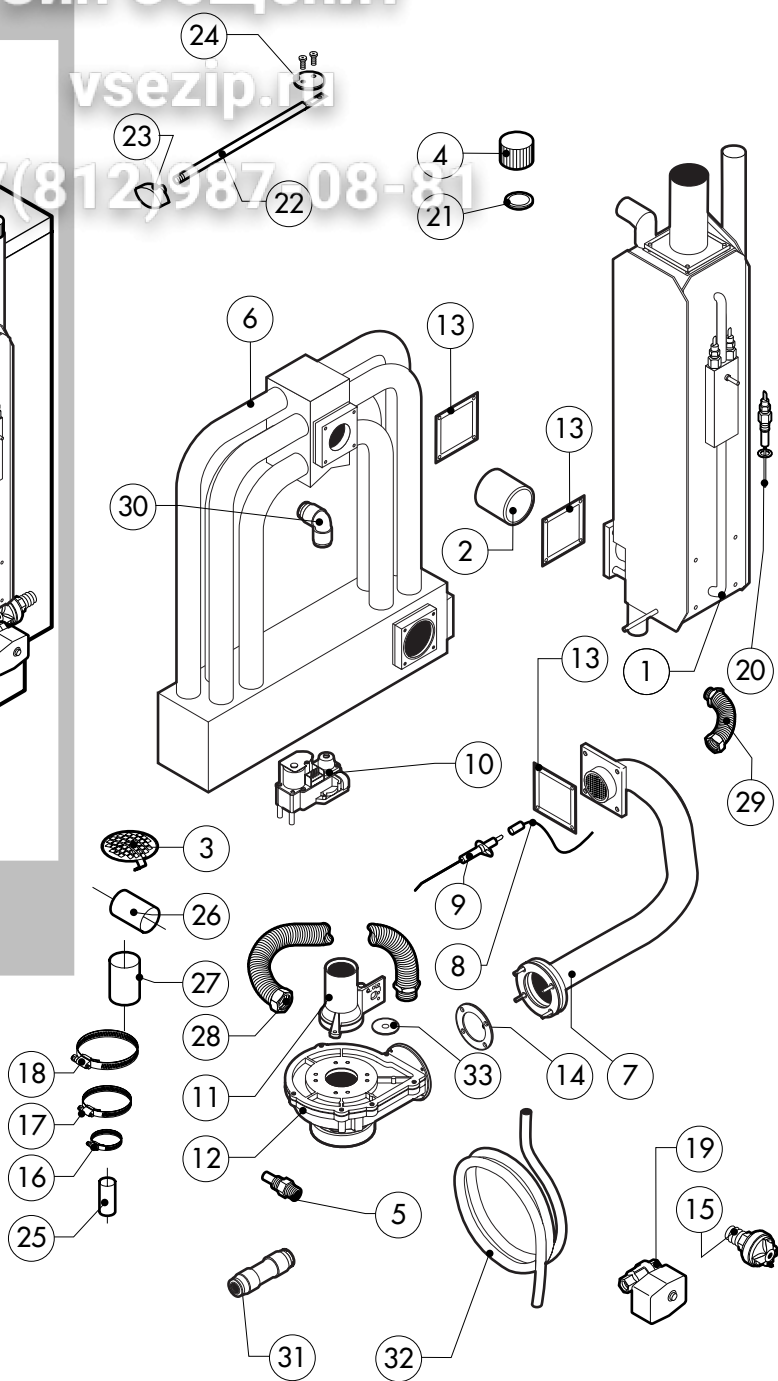
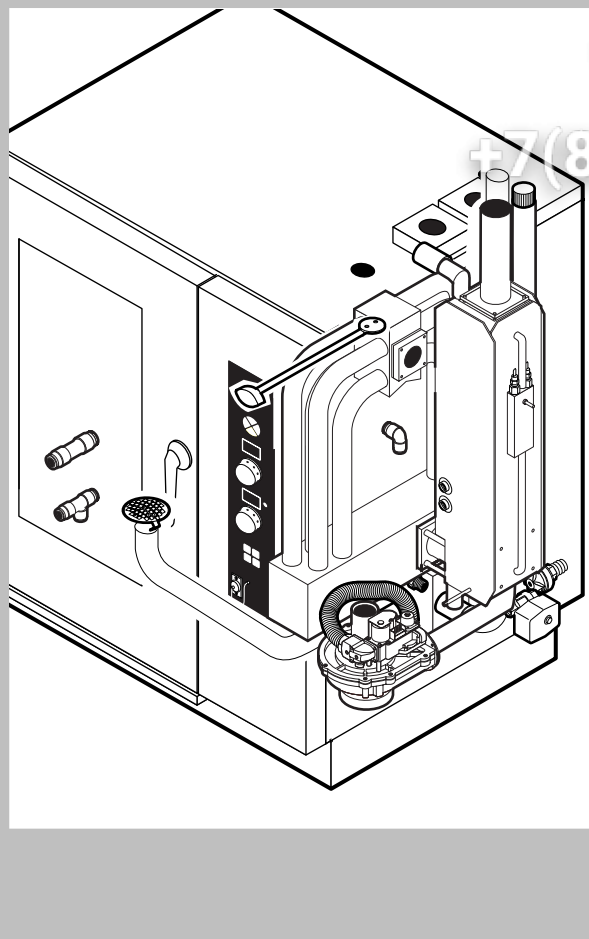
016.40.184.0523 1.50305 DONADINI srl



| POS. | CODE | PIECES | DESCRIPTION |
|------|------------|--------|--|
| 1 | R58003840 | 1 | MOTOR GASKET BRASS FLANGE |
| 2 | R58003850 | 1 | MOTOR GASKET BRASS COUNTER FLANGE |
| 3 | R58004000 | 1 | FAN SCREW M12x1.5 SX |
| 4 | R58004010 | 1 | FAN WASHER Ø 30/12.5 |
| 5 | R61020562 | 1 | FAN SCREW TE A2 M6x55 |
| 6 | *R65040041 | 1 | MOTOR HP 1 KIT |
| 7 | R65060050 | 2 | COMPONENTS VENTILATION MOTOR Ø 120 |
| 8 | R65070350 | 1 | CHAMBER SAFETY THERMOSTAT |
| 9 | R65070081 | 1 | STEAM GENERATOR SAFETY THERMOSTAT |
| 10 | R65090240 | 1 | DRAIN MOTOR |
| 11 | R65110200 | 1 | SOLENOID VALVE 220V 50HZ |
| 12 | R65110210 | 1 | SOLENOID VALVE 220V 50HZ WITH FLOW REDUCER |
| 13 | R65110510 | 1 | 15 LT/H WATER FLOW REDUCER |
| 14 | R63060120 | 1 | BURNER IGNITION PANEL |
| 15 | R63130020 | 1 | GAS BURNER FAN MOTOR PCBOARD |
| 16 | *R65140550 | 4 | CONTACTOR DIL 00 M-01 4KW |
| 17 | *R65160470 | 1 | THERMIC PROTECTION Z 00-4 |
| 18 | R65180770 | 1 | TRANSFORMER 50VA |
| 19 | R65180420 | 1 | TRANSFORMER 20VA |
| 20 | R65180430 | 1 | TRANSFORMER 40VA |
| 21 | R65200200 | 1 | FUSE 2A |

| POS. | CODE | PIECES | DESCRIPTION |
|------|------------|--------|--------------------------------|
| 22 | R65200120 | 1 | FUSE 1A |
| 23 | R65200040 | 1 | FUSE 0.500A (T) |
| 24 | R65200110 | 1 | FUSE 0.25 A(T) |
| 25 | R65200080 | 1 | FUSE 0.25A (T) |
| 26 | R65210020 | 5 | FUSE CARRIER |
| 27 | R65220220 | 1 | TERMINAL BOARD |
| 28 | *R65280210 | 1 | INTERFERENCE SUPPRESSOR |
| 29 | *R65280450 | 1 | FERRITE |
| 30 | R65325000 | 3 | PROBE PT100 |
| 31 | R70020050 | 1 | MOTOR GASKET |
| 32 | *R75400440 | 1 | FAN Ø 350x114/12 50HZ P.D. KIT |
| 33 | *R65190180 | 1 | CAPACITOR 20 µF |
| 34 | R11402840 | 2 | SMOKES OUTKET PLATE |
| 35 | R61660000 | 1 | CARDAN JOINT |
| 36 | R65265100 | 1 | DOOR SWITCH |

*COMPONENT SUBMITTED TO CHANGEMENTS CAUSED BY TENSION DIFFERENT FROM THE STANDARD (AC 230V 50HZ)



| POS. | CODE | PIECES | DESCRIPTION |
|------|-----------|--------|---|
| 1 | R14102360 | 1 | STEAM GENERATOR ASSEMBLY |
| 2 | R70080010 | 1 | CERAMIC PROTECTION TUBE |
| 3 | R10201710 | 1 | DRAIN FILTER |
| 4 | R58005680 | 1 | STEAM GENERATOR DESCALING CAP 1"1/4 F |
| 5 | R58006130 | 1 | STEAM QUENCHING NOZZLE Ø 1 |
| 6 | R14211450 | 1 | HEAT EXCHANGER ACCESSORIES INCLUDED |
| 7 | R14211500 | 1 | BURNER ASSEMBLY |
| 8 | R66110390 | 1 | FLAME IGNITION CABLE/FLAME SENSOR CABLE |
| 9 | R63050100 | 2 | IGNITOR |
| 10 | R63020170 | 1 | GAS SOLENOID VALVE |
| 11 | R63120010 | 1 | VENTURI TUBE |
| 12 | R63130010 | 1 | GAS BURNER FAN MOTOR |
| 13 | R63140020 | 6 | BURNER/HEAT EXCHANGER GASKET |
| 14 | R63140050 | 1 | BURNER/FAN MOTOR GASKET |
| 15 | R63070010 | 1 | GAS SAFETY PRESSURE SWITCH PG 901.61 |
| 16 | R61630011 | 2 | METAL CLAMPS 12-22/9 |
| 17 | R61630021 | 2 | METAL CLAMPS 30-45/9 |
| 18 | R61630100 | 2 | METAL CLAMPS 32-44/12 |
| 19 | R65110560 | 1 | STEAM GENERATOR DRAIN MOTORIZED VALVE |

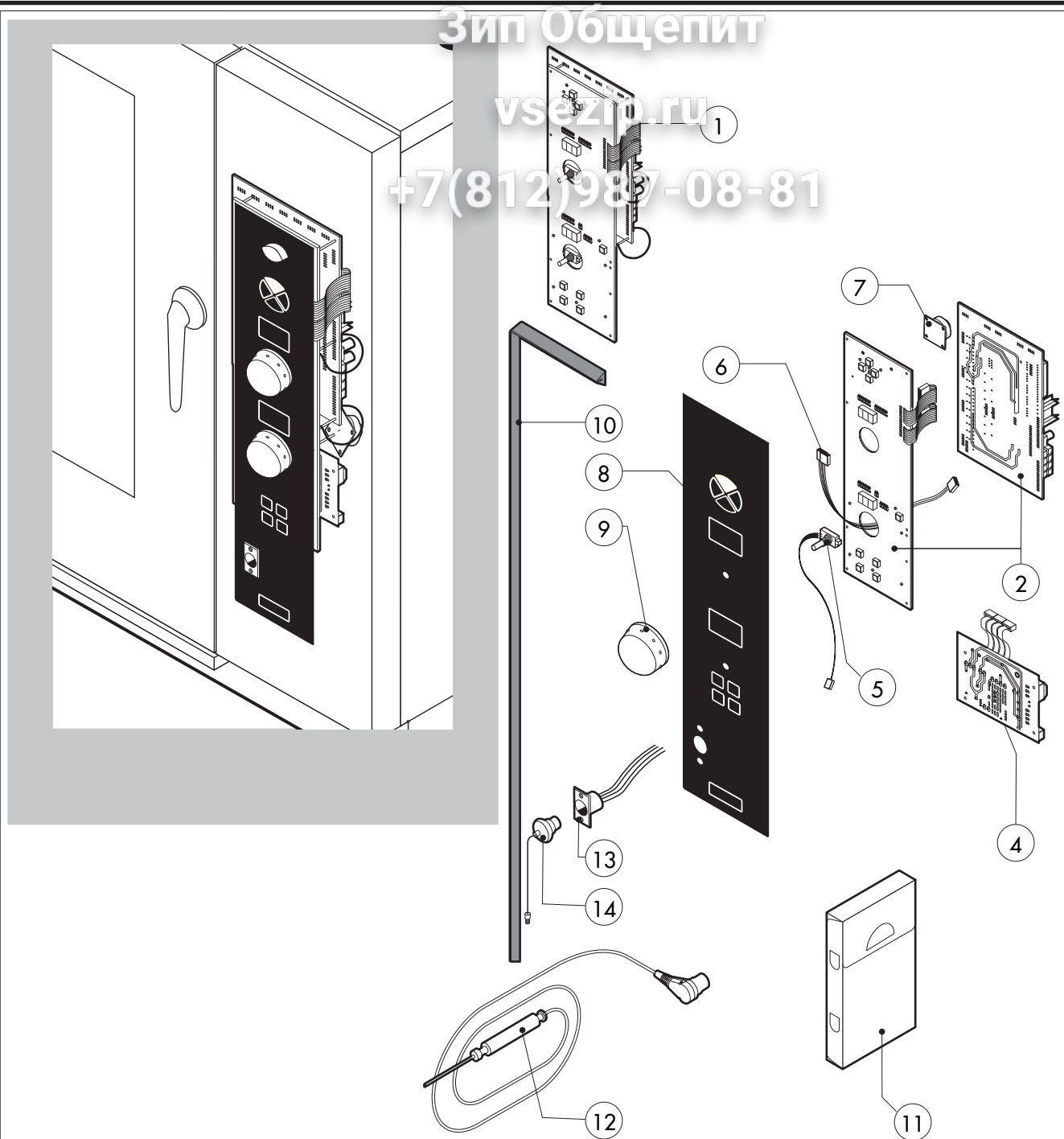
| POS. | CODE | PIECES | DESCRIPTION |
|------|-----------|--------|---|
| 20 | R65320010 | 2 | STEAM GENERATOR LEVEL PROBE |
| 21 | R70050040 | 1 | STEAM GENERATOR CAP GASKET |
| 22 | R58003790 | 1 | CHAMBER VENT ROD |
| 23 | R69010410 | 1 | STEAM OUTLET KNOB |
| 24 | R04403460 | 1 | CHAMBER VENT PLATE Ø 46 |
| 25 | R70060080 | 1 | SILICON COUPLING Ø 13 |
| 26 | R70060010 | 1 | SILICON COUPLING Ø 30 |
| 27 | R70060030 | 1 | SILICON COUPLING Ø 40 |
| 28 | R62180082 | 1 | GAS INLET FLEXIBLE PIPE |
| 29 | R62180022 | 1 | FLEXIBLE PIPE FOR BOILER DESCALING |
| 30 | R62090478 | 5 | ELBOW MIDLING PIPE FITTING D.10 |
| 31 | R62090458 | 1 | STRAIGHT MIDLING PIPE FITTING D.10 |
| 32 | R70070050 | 1 | PE D.10 MM X7 WATER FLEXIBLE PIPE (3 MT LONG) |
| 33 | R58004190 | 1 | ORIFICE (FOR VERSION LIQUID GAS) |

Зип Общепит

vsezip.ru

+7(812)987-08-81

01.6.40.184.052.5 1.5030.5 DONADINI srl



| POS. | CODE | PIECES | DESCRIPTION |
|------|-----------|--------|---|
| 1 | R65301310 | 1 | CONTROL PANEL P.C. BOARD |
| 2 | R65301320 | 1 | FRONT PC BOARD "D" MOD |
| 4 | R65301480 | 1 | BOILER CONTROL PC BOARD "H-P" MOD |
| 5 | R65301450 | 2 | FRONT PC BOARD ENCODER |
| 6 | R65301340 | 1 | PC BOARD FLAT CABLE |
| 7 | R65301440 | 1 | PC BOARD BUZZER |
| 8 | R67013090 | 1 | PLATE |
| 9 | R69030260 | 2 | KNOB |
| 10 | R70044400 | 1 | CONTROL PANEL GASKET |
| 11 | R86020420 | 1 | CORE TEMPERATURE PROBE BOX |
| 12 | R65321120 | 1 | CORE TEMPERATURE PROBE |
| 13 | R65320920 | 1 | CORE TEMPERATURE PROBE FEMALE CONNECTOR |
| 14 | R65321020 | 1 | COVER FOR FEMALE CONNECTOR |
| | | | |
| | | | |
| | | | |
| | | | |
| | | | |
| | | | |

| POS. | CODE | PIECES | DESCRIPTION |
|------|------|--------|-------------|
| | | | |
| | | | |
| | | | |
| | | | |
| | | | |
| | | | |
| | | | |
| | | | |
| | | | |
| | | | |
| | | | |
| | | | |
| | | | |
| | | | |
| | | | |
| | | | |