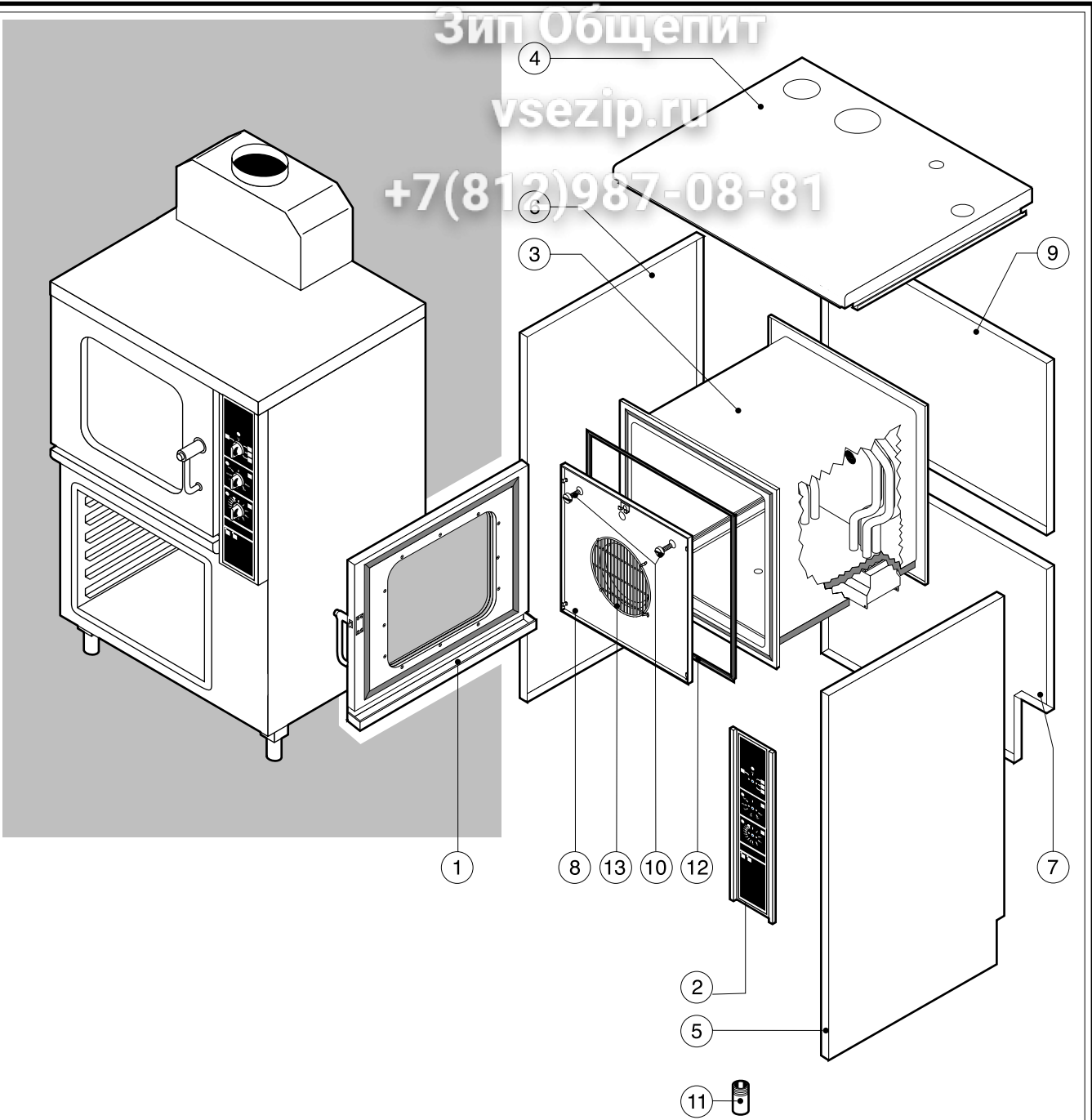


Зип Общепит

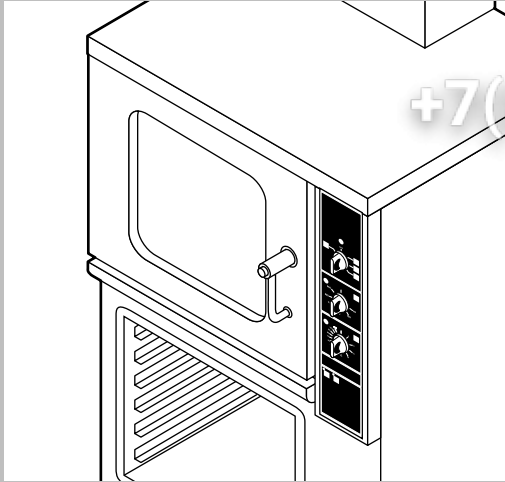
vsezip.ru

+7(812)987-08-81



POS.	CODE	PIECES	DESCRIPTION
1	R10100720	1	DOOR ASSEMBLY
2	R10105400	1	CONTROL PANEL WITH PLATE
3	R10207111	1	COOKING CABINET ASSEMBLY
4	R10200360	1	COVER PANEL
5	R10201440	1	RIGHT SIDE PANEL
6	R10201450	1	LEFT SIDE PANEL
7	R10201460	1	LOWER REAR PANEL
8	R10207251	1	FAN GUARD PANELASSEMBLY
9	R10403890	1	UPPER REAR PANEL
10	R58003100	2	FAN GUARD FASTENING SCREW
11	R69070070	4	FOOT 1"1/4x120
12	R70041050	1	FRONT GASKET
13	R75300030	1	FAN GUARD GRID Ø 190

POS.	CODE	PIECES	DESCRIPTION

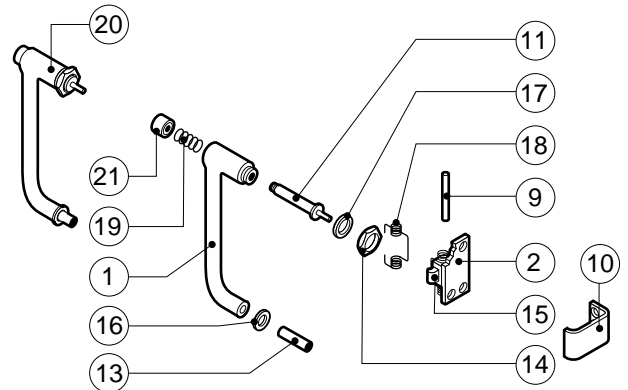
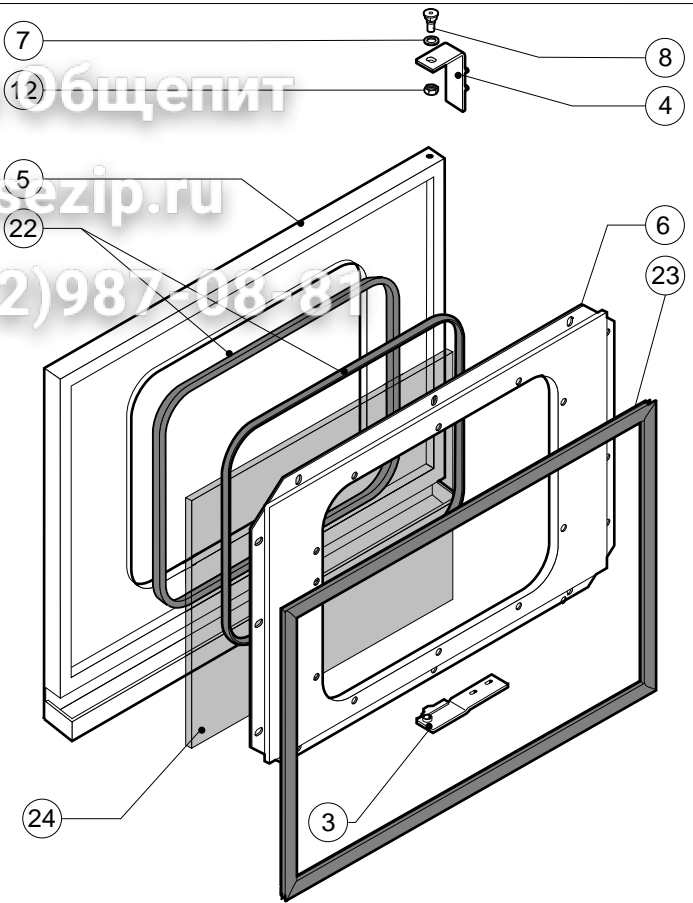


Зип

Общепит

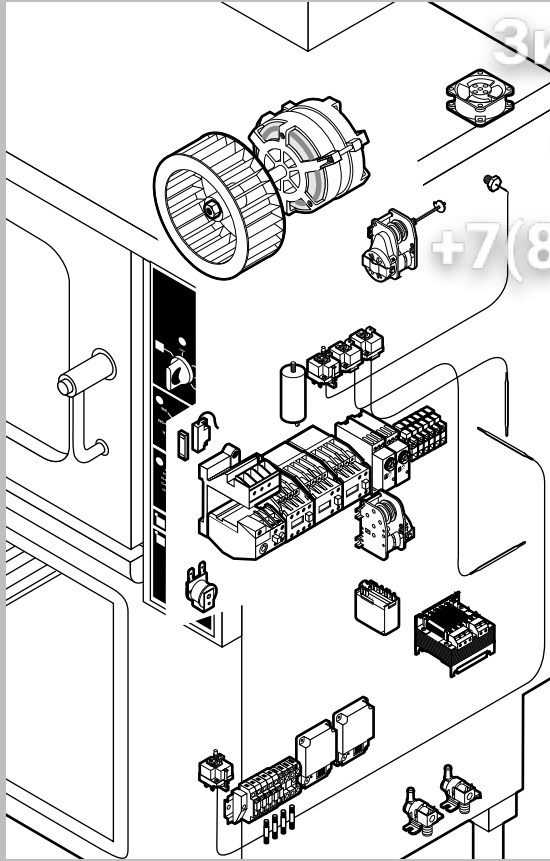
vsezip.ru

+7(812)987-08-81

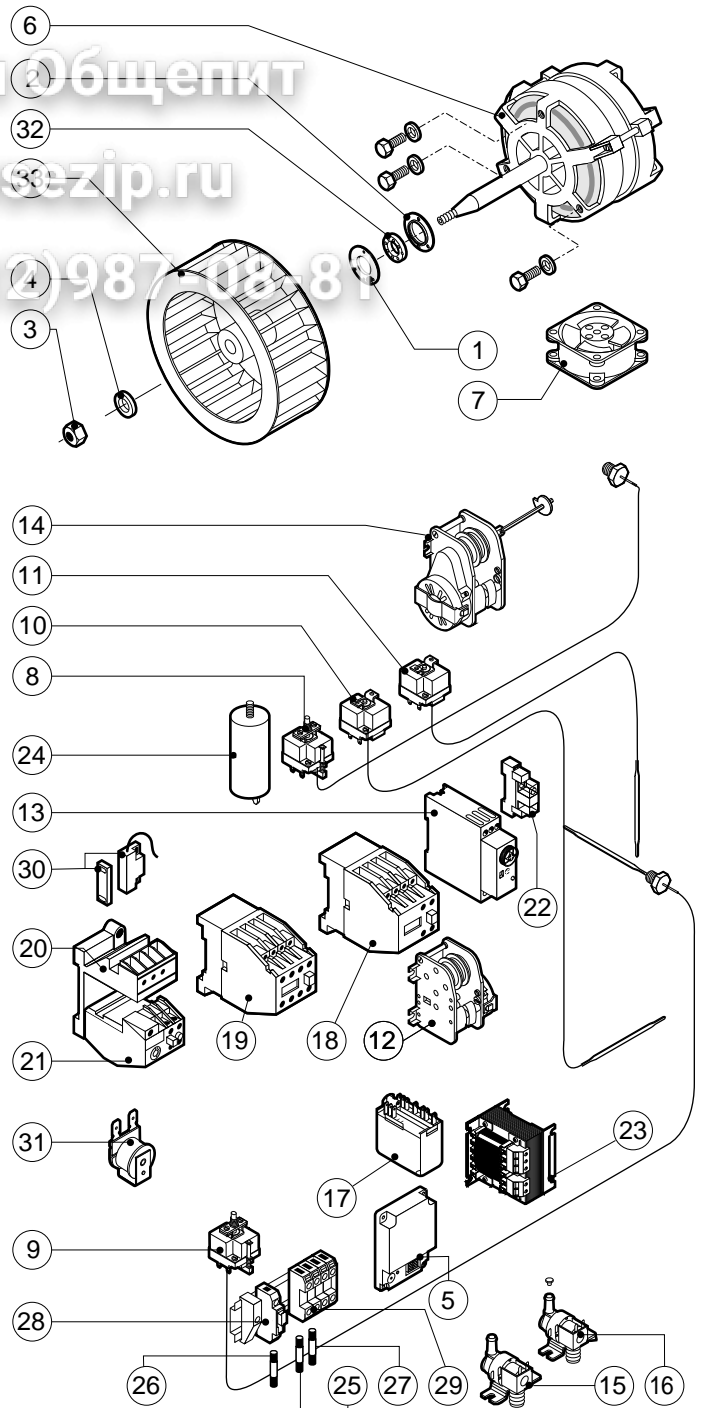


POS.	CODE	PIECES	DESCRIPTION
1	R09200230	1	DOOR HANDLE
2	R10100110	1	PRONG FLANGE
3	R10201240	1	LOWER DOOR HINGE
4	R10201290	1	UPPER DOOR HINGE
5	R10205520	1	DOOR
6	R10401320	1	INNER DOOR PANEL
7	R10401710	1	WASHER FOR UPPER DOOR HINGE
8	R58002150	1	HINGE PIN
9	R58002160	1	DOOR HANDLE PRONG PIN
10	R58002760	1	DOOR HANDLE PRONG COUPLER
11	R58003240	1	DOOR HANDLE BUTTON ROD
12	R58004050	1	NUT FOR UPPER DOOR HINGE
13	R58004270	1	DOOR HANDLE SPACER
14	R58004830	1	RING NUT M18x1
15	R58005050	1	DOOR HANDLE PRONG
16	R58005340	1	DOOR HANDLE LOWER INSULATION WASHER
17	R58005350	1	DOOR HANDLE UPPER INSULATION WASHER
18	R61620012	1	DOOR HANDLE CATCH SPRING
19	R61620041	1	DOOR HANDLE BUTTON SPRING

POS.	CODE	PIECES	DESCRIPTION
20	R69015000	1	DOOR HANDLE ASSEMBLY
21	R69031190	1	DOOR HANDLE PUSH BUTTON
22	R70040730	2	GLASS GASKET
23	R70042090	1	DOOR GASKET
24	R71105000	1	DOUBLE GLAZED GLASS



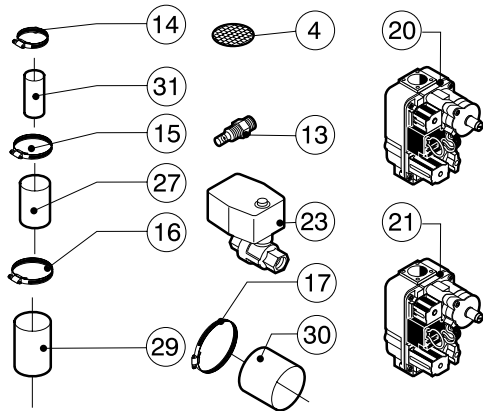
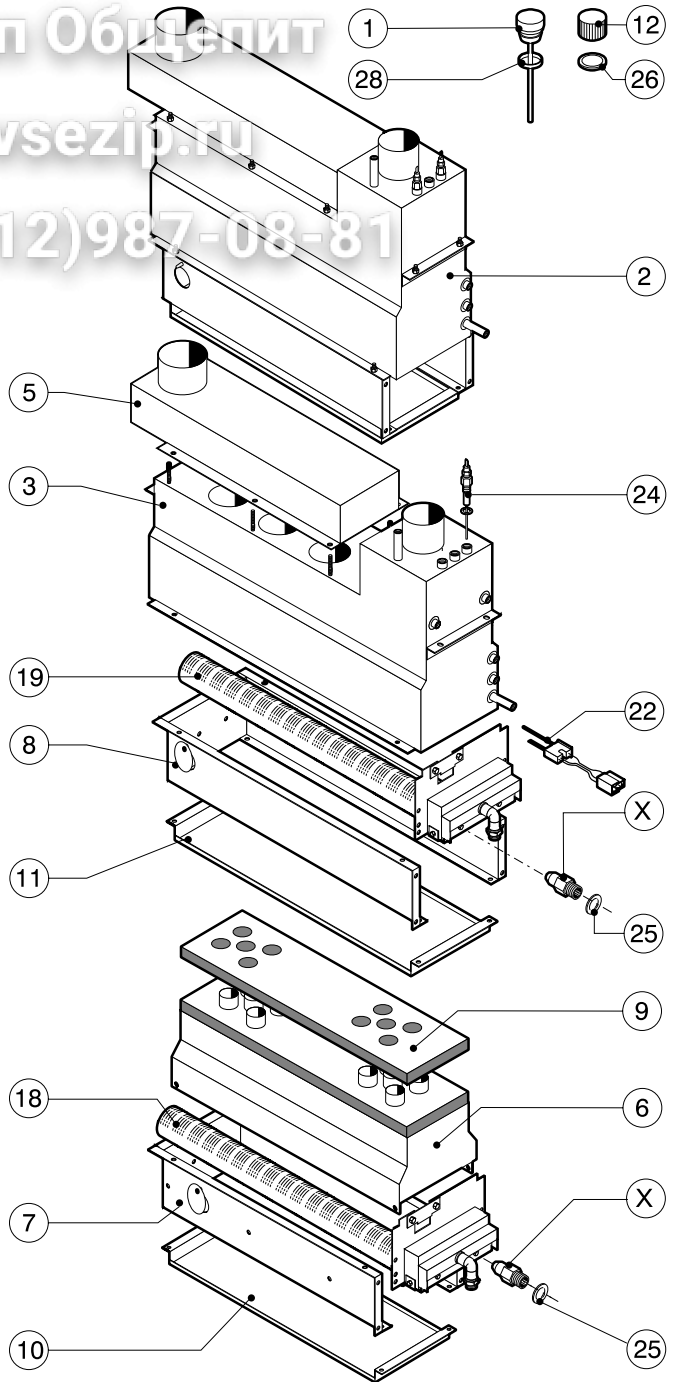
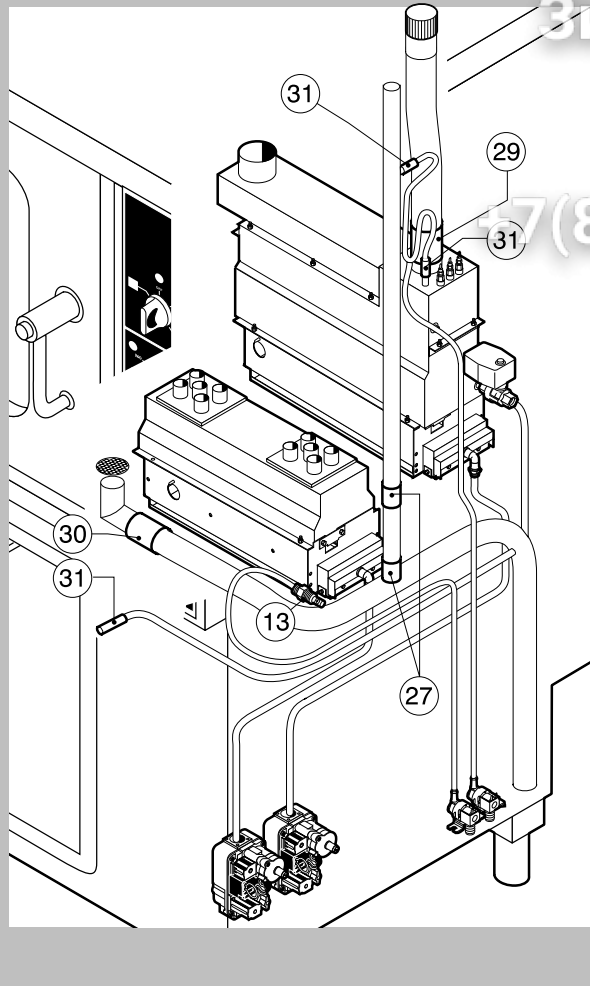
Зип Общепит
vsezip.ru
+7(810)987-08-81



POS.	CODE	PIECES	DESCRIPTION
1	R58003860	1	MOTOR GASKET BRASS FLANGE
2	R58003870	1	MOTOR GASKET BRASS COUNTER FLANGE
3	R58004020	1	FAN SECURITY NUT M10 SX
4	R61400052	1	FAN WASHER Ø 21/10.5
5	R63060090	2	BURNER IGNITION PANEL WR 50A72-418
6	R65040410	1	MOTOR HP 0.25 KIT
7	R65060010	1	COMPONENTS VENTILATION MOTOR Ø 80
8	R65070075	1	CHAMBER SAFETY THERMOSTAT
9	R65070080	1	STEAM GENERATOR SAFETY THERMOSTAT
10	R65070165	1	THERMOSTAT 65°C
11	R65070240	1	THERMOSTAT 70°C
12	R65090180	1	REVERSING SWITCH 8'
13	R65090450	2	IGNITION DELAY TIMER
14	R65095010	1	DAMPER SYSTEM
15	R65110120	1	SOLENOID VALVE 220V 60HZ
16	R65115080	1	SOLENOID VALVE 220V 60HZ WITH FLOW REDUCER
17	R65120010	1	LEVEL REGULATOR
18	R65140140	2	CONTACTOR 3TF4011-OAN2 220V
19	R65140160	1	CONTACTOR 3TF4022-OAN2 220V

POS.	CODE	PIECES	DESCRIPTION
20	R65160050	1	THERMIC SWITCH SUPPORT
21	R65160120	1	THERMIC PROTECTION 3UA5000-1C 1.6-2.5A
22	R65170050	6	RELAY 4052 240V AC 10A
23	R65180900	1	AUTOTRANSFORMER 400VA
24	R65190020	1	CAPACITOR 16 µF
25	R65200120	1	FUSE 0.1A (T)
26	R65200230	2	FUSE 4A
27	R65200240	1	FUSE 5A
28	R65210020	4	FUSE CARRIER
29	R65220090	1	TERMINAL BOARD
30	R65265100	1	DOOR SWITCH
31	R65330010	1	BUZZER
32	R70020040	1	MOTOR GASKET
33	R75400220	1	FAN Ø 220x78/16 60HZ P.D. KIT

Вип Общепит
vsezip.ru
+7(812)987-08-81



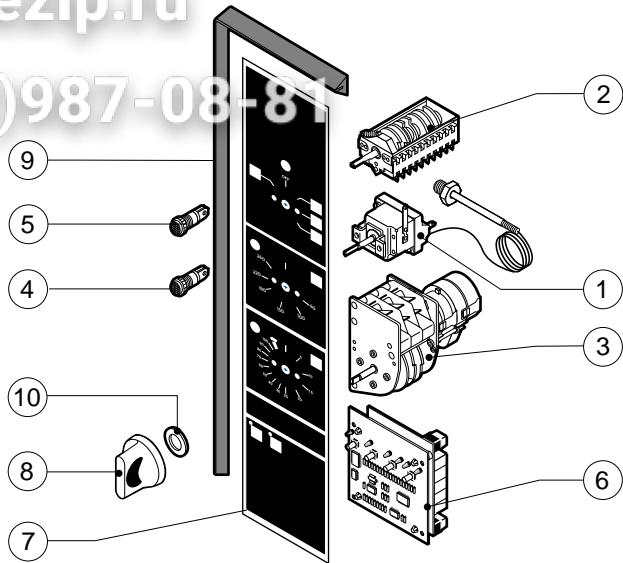
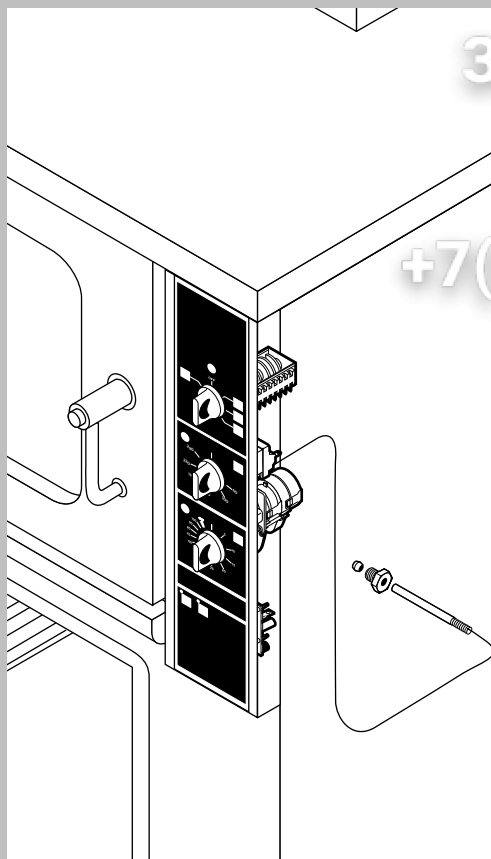
POS.	CODE	PIECES	DESCRIPTION
1	R10100140	1	DAMPER SYSTEM CAP
2	R10102000	1	STEAM GENERATOR ASSEMBLY
3	R10200980	1	STEAM GENERATOR
4	R10201700	1	DRAIN FILTER
5	R10202090	1	STEAM GENERATOR GAS FLUE PIPE
6	R10202400	1	COMBUSTION CABINET
7	R10202500	1	CABINET BURNERS SUPPORT
8	R10202580	1	STEAM GENERATOR SUPPORT
9	R10402390	1	COMBUSTION CABINET INSULATION PLATE
10	R10403790	1	CHAMBER BURNERS PROTECTION PLATE
11	R10403800	1	STEAM GENERATOR BURNERS PROTECTION PLATE
12	R58005680	1	STEAM GENERATOR DESCALING CAP 1"1/4 F
13	R58006090	1	STEAM QUENCHING NOZZLE Ø 1
14	R61630011	10	METAL CLAMPS 12-22/9
15	R61630021	2	METAL CLAMPS 30-45/9
16	R61630031	4	METAL CLAMPS 40-60/9
17	R61630041	2	METAL CLAMPS 70-90/9
18	R63016050	1	CHAMBER BURNER ASSEMBLY
19	R63016060	1	STEAM GENERATOR BURNER ASSEMBLY

POS.	CODE	PIECES	DESCRIPTION
20	R63020120	2	GAS VALVE WR 36E96A-301 NATURAL GAS
21	R63020130	2	GAS VALVE WR 36E96A-302 PROPAN GAS
22	R63050050	2	IGNITOR/SENSOR WR 768A200
23	R65110540	1	STEAM GENERATOR DRAIN MOTORIZED VALVE
24	R65320010	2	STEAM GENERATOR LEVEL PROBE
25	R70030090	4	NOZZLE GASKET
26	R70050040	1	STEAM GENERATOR CAP GASKET
27	R70060010	2	SILICON COUPLING Ø 30
28	R70060020	1	DAMPER SYSTEM CAP GASKET
29	R70060030	1	SILICON COUPLING Ø 40
30	R70060040	1	SILICON COUPLING Ø 50
31	R70060060	3	SILICON COUPLING Ø 15
X		2	NOZZLE (See service manual)
X		2	NOZZLE (See service manual)

Зип Ощепит

vsezip.ru

+7(812)987-08-81



POS.	CODE	PIECES	DESCRIPTION
1	R65070210	1	CABINET THERMOSTAT 50/270°C
2	R65080020	1	MAIN SELECTOR SWITCH
3	R65090200	1	TIMER
4	R65270220	2	ORANGE INDICATING LIGHT
5	R65270230	1	GREEN INDICATING LIGHT
6	R65300560	1	CONTROL PANEL P.C. BOARD
7	R67200510	1	CLEVELAND PLATE
8	R69030080	3	KNOB KIT
9	R70040880	1	CONTROL PANEL GASKET
10	R70050020	6	KNOB GASKET

POS.	CODE	PIECES	DESCRIPTION