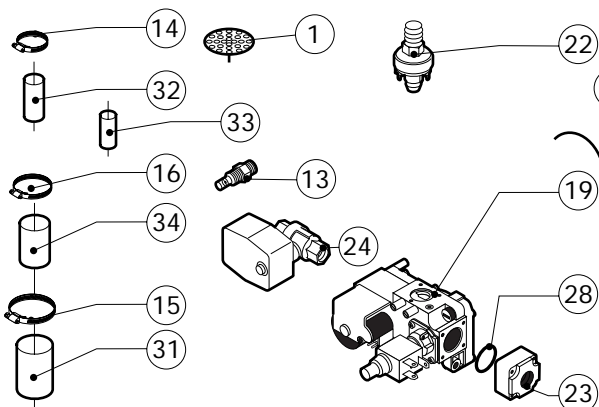
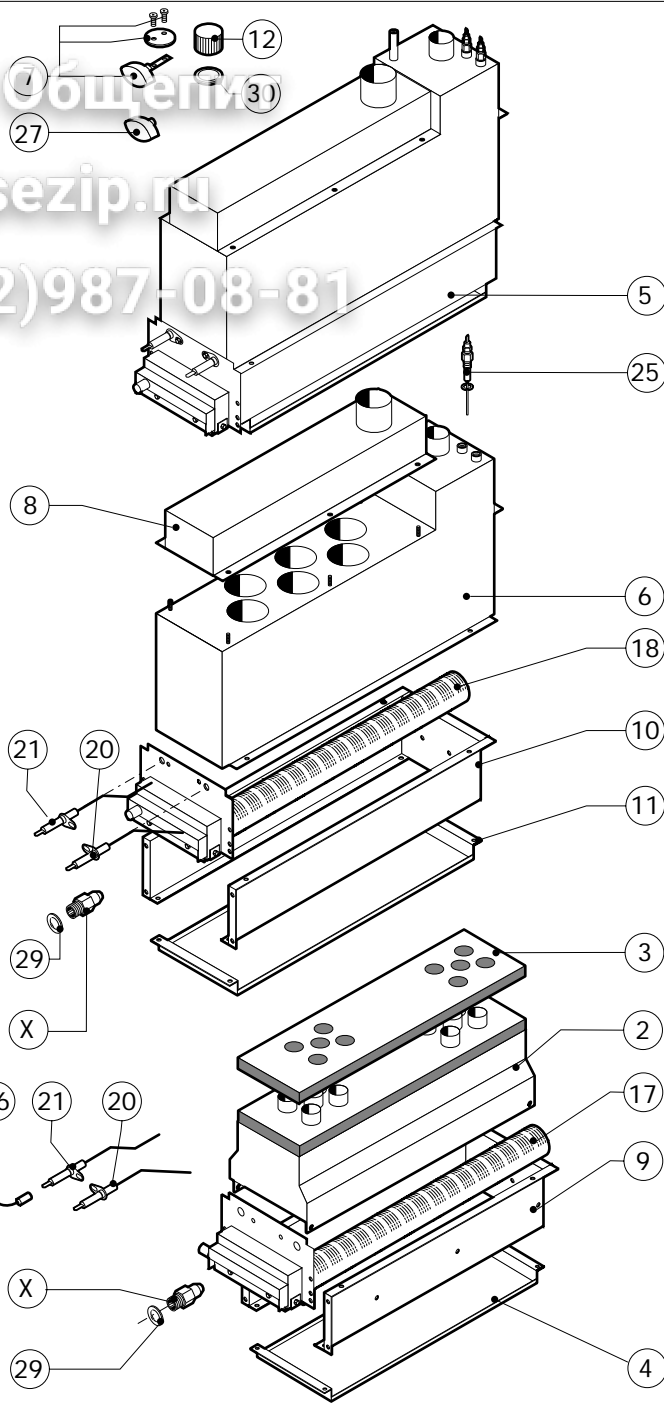
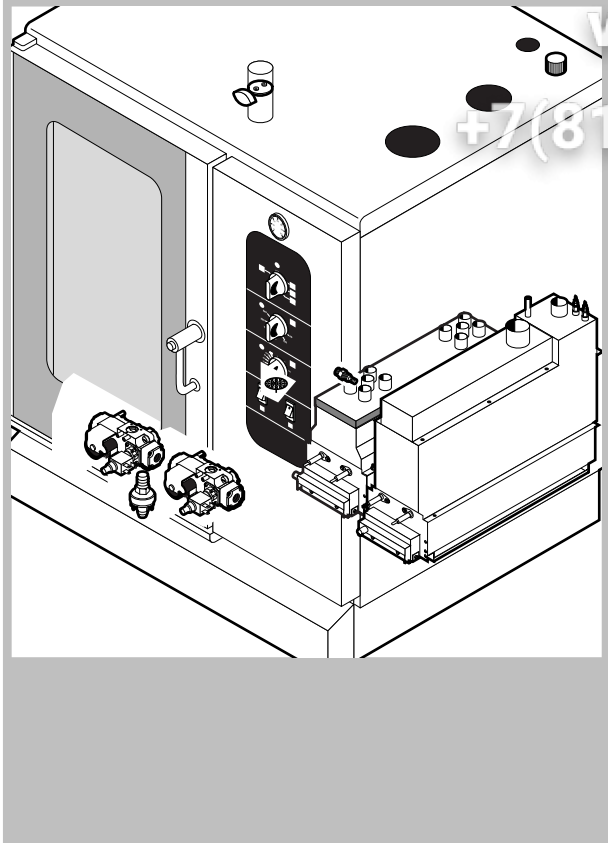


POS.	CODE	PIECES	DESCRIPTION
1	R58003840	1	MOTOR GASKET BRASS FLANGE
2	R58003850	1	MOTOR GASKET BRASS COUNTER FLANGE
3	R58004000	1	FAN SCREW M12x1.5 SX
4	R58004010	1	FAN WASHER Ø 30/12.5
5	R61020562	1	FAN SCREW TE A2 M6x55
6	R63060100	2	BURNER IGNITION PANEL
7	R65040041	1	MOTOR HP 1 KIT
8	R65060050	1	COMPONENTS VENTILATION MOTOR Ø 120
9	R65070070	1	CHAMBER SAFETY THERMOSTAT
10	R65070080	1	STEAM GENERATOR SAFETY THERMOSTAT
11	R65070100	1	THERMOSTAT 55°C
12	R65070165	1	THERMOSTAT 65°C
13	R65070240	1	THERMOSTAT 70°C
14	R65090190	1	REVERSING SWITCH 8"
15	R65090480	1	S.GENERATOR DRAIN
16	R65110010	1	SOLENOID VALVE 220V 50HZ
17	R65115000	1	SOLENOID VALVE 220V 50HZ WITH FLOW REDUCER
18	R65120010	1	LEVEL REGULATOR
19	R65140150	3	CONTACTOR 3TF4011-OAUO 240V

POS.	CODE	PIECES	DESCRIPTION
20	R65160130	1	THERMIC PROTECTION 3UA5000-1F 3.2-5A
21	R65180430	1	TRANSFORMER 40VA
22	R65190030	1	CAPACITOR 16 µF
23	R65200200	1	FUSE 2A
24	R65200350	1	FUSE 0.4A (T)
25	R65210020	2	FUSE CARRIER
26	R65220220	1	TERMINAL BOARD
27	R65260540	1	DOOR SWITCH
28	R65280130	3	INTERFERENCE SUPPRESSOR
29	R65280210	1	INTERFERENCE SUPPRESSOR
30	R65330010	1	BUZZER
31	R70020050	1	MOTOR GASKET
32	R75400290	1	FAN Ø 300x120/20 50HZ P.D. KIT

Зип Обществу
vsezip.ru
+7(812)987-08-81



POS.	CODE	PIECES	DESCRIPTION
1	R10201700	1	DRAIN FILTER
2	R10202410	1	COMBUSTION CABINET
3	R10406250	1	COMBUSTION CABINET INSULATION PLATE
4	R10406980	1	CHAMBER BURNERS PROTECTION PLATE
5	R14100510	1	STEAM GENERATOR ASSEMBLY
6	R14201130	1	STEAM GENERATOR
7	R14201410	1	STEAM OUTLET THROTTLE ASSEMBLY
8	R14202080	1	STEAM GENERATOR GAS FLUE PIPE
9	R14202310	1	CABINET BURNERS SUPPORT
10	R14202370	1	STEAM GENERATOR SUPPORT
11	R14405470	1	STEAM GENERATOR BURNERS PROTECTION PLATE
12	R58005680	1	STEAM GENERATOR DESCALING CAP 1"1/4 F
13	R58006100	1	STEAM QUENCHING NOZZLE Ø 1.5
14	R61630011	10	METAL CLAMPS 12-22/9
15	R61630031	2	METAL CLAMPS 40-60/9
16	R61630081	2	METAL CLAMPS 20-32/9
17	R63016520	1	CHAMBER BURNER ASSEMBLY
18	R63016530	1	STEAM GENERATOR BURNER ASSEMBLY
19	R63020160	2	GAS SOLENOID VALVE

POS.	CODE	PIECES	DESCRIPTION
20	R63050340	2	IGNITOR
21	R63050350	2	SENSOR
22	R63070010	1	GAS SAFETY PRESSURE SWITCH PG 901.61
23	R63080040	4	STRAIGHT FLANGE 1/2"
24	R65110540	1	STEAM GENERATOR DRAIN MOTORIZED VALVE
25	R65320010	2	STEAM GENERATOR LEVEL PROBE
26	R66605900	4	FLAME IGNITION CABLE/FLAME SENSOR CABLE
27	R69010410	1	STEAM OUTLET KNOB
28	R70010070	4	RING
29	R70030090	4	NOZZLE GASKET
30	R70050040	1	STEAM GENERATOR CAP GASKET
31	R70060030	1	SILICON COUPLING Ø 40
32	R70060070	1	SILICON COUPLING Ø 15
33	R70060080	1	SILICON COUPLING Ø 13
34	R70060090	2	SILICON COUPLING Ø 25
X		2	NOZZLE (See service manual)
X		2	NOZZLE (See service manual)

