

С О М В И Т Н Е Р М®  
E L E C T R I C  
Зип Общепит  
ysezip.ru  
+7(812)987-08-81



**ALTO SHAAM®**

## **How to Use this Technical Service Manual**

This manual has been compiled as a complete resource for a technician working on Combitherm Electric models. It includes necessary product information and drawings, along with helpful troubleshooting procedures.

**Introduction** gives a quick overview of the Combitherm Electric line to aid in model identification.

**Sections 1 through 5** contain information applying to all Combitherm Electric models:

- **CONTROL PANEL IDENTIFICATION** includes information on using the controllers and operating instructions. It is the same material supplied to the customer.
- **PREVENTIVE MAINTENANCE** includes procedures for cleaning, performing a generator flush and decalcifying. This information is also supplied to the customer.
- **SERVICE MODE AND ERROR CODES** explains the special programming available to you as a technician to view status, make adjustments and test functions on models equipped with Standard and Deluxe Controllers. Information is also included on the use of displayed error codes to resolve problems and on the functions that can be operated under fault conditions.
- **TROUBLESHOOTING TRENDS** are provided for the most common conditions you will be required to address.
- **COMBITHERM PARTS** has drawings and lists of available parts that are common to all electric models.

**Sections 6 through 15** contain information that is specific to each model:

- The model's Technical Data Sheet
- Parts Information that is unique to the model, including its door, directional panel and steam generator or pressure box
- Wiring Diagrams
- Ladder Diagrams

### **Navigation**

On this CD, starting with the Main Table of Contents on the following page, you may click on any item that has a page number and quickly jump to the information you need. Note that you may Return to the Main Table of Contents from the bottom of any Section Contents page.

### **Printing**

From this CD, you may print the Current Page or any range of pages. If you would like to print out a complete manual for a specific model, print pages 1 – 102 (Sections 1 – 5) along with the pages in that model's section (7.14 ES, for example). Here's a tip: Because printers vary in their capacity to handle large drawings, make a test print of one of the Wiring Diagrams before printing the model's section.

|   |     |
|---|-----|
| How to Use this Technical Service Manual..... | 2   |
| Introduction.....                             | 4   |
| 1 — Control Panel Identification.....         | 5   |
| 2 — Preventive Maintenance.....               | 49  |
| 3 — Service Mode and Error Codes.....         | 63  |
| 4 — Troubleshooting Trees.....                | 71  |
| 5 — Combitherm Parts.....                     | 91  |
| 6 — 6.10 ES.....                              | 103 |
| 7 — 6.10 ESi.....                             | 117 |
| 8 — 6.10 ESiN.....                            | 131 |
| 9 — 10.10 ES.....                             | 145 |
| 10 — 10.10 ESi.....                           | 159 |
| 11 — 10.10 ESiN.....                          | 173 |
| 12 — 7.14 ES.....                             | 189 |
| 13 — 7.14 ESi.....                            | 203 |
| 14 — 10.18 ES.....                            | 217 |
| 15 — 10.18 ESi.....                           | 229 |

## INTRODUCTION

### MODEL NUMBERS

This manual covers the following electric models:

| Steam Generator Models | Boiler-Free Models | Narrow Boiler-Free Models |
|------------------------|--------------------|---------------------------|
| 6.10ES                 | 6.10ESi            | 6.10ESiN                  |
| 10.10ES                | 10.10ESi           | 10.10ESiN                 |
| 7.14ES                 | 7.14ESi            |                           |
| 10.18ES                | 10.18ESi           |                           |

### CONTROLLERS

- Standard is a touch key controller.
- Deluxe is a touch key controller with programmable Rapid-Touch™ keys.
- S-Control is rotary dial controller.

### FEATURES AND OPTIONS

- Recessed Door is available on all models.
- Smoker Mode is available on select boiler-free models.
- Core Temp Probe (single point) is optional on S-control models.

### MODES

The Combitherm combination oven/steamer is a multipurpose oven used for:



#### STEAM MODE

88° - 248° F  
30° - 120° C



#### COMBINATION MODE

212° - 482° F  
100° - 250° C



#### CONVECTION MODE

88° - 482° F  
30° - 250° C



#### RE THERM MODE

248° - 320° F  
120° - 160° C

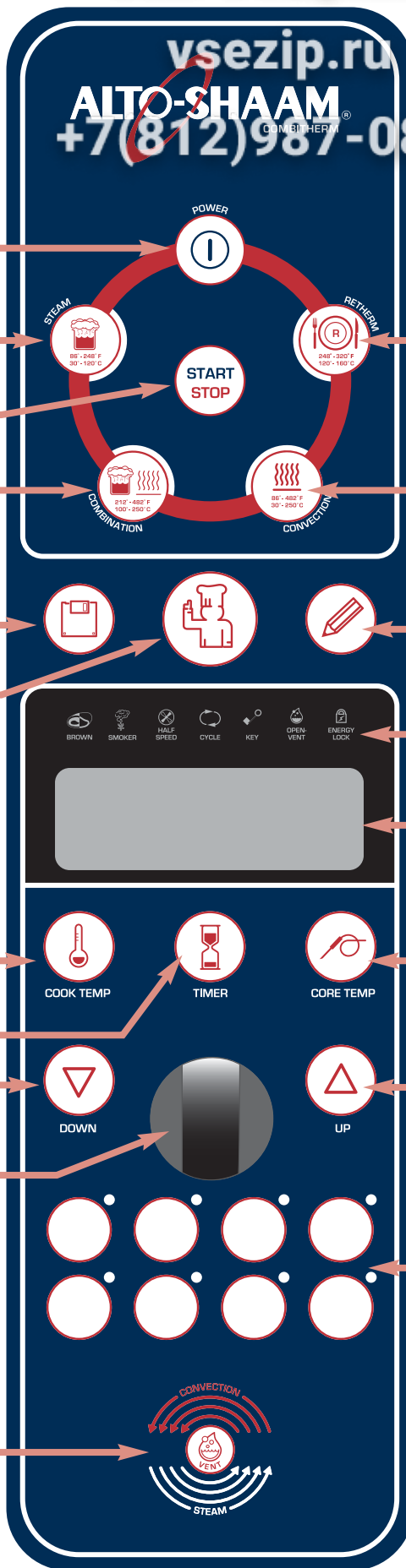


#### CORE TEMPERATURE MODE

## CONTROL PANEL IDENTIFICATION

|  |    |
|--|----|
| Standard and Deluxe Control.....       | 6  |
| S-Control .....                        | 45 |
| Return to Main Table of Contents ..... | 3  |

# CONTROL PANEL IDENTIFICATION STANDARD AND PROGRAMMABLE DELUXE MODELS



① POWER ON/OFF KEY

② STEAM MODE KEY

③ START /STOP KEY

④ COMBINATION MODE KEY

⑤ PROGRAMMED MENU KEY  
DELUXE MODELS ONLY

⑥ CHEF FUNCTION KEY

⑦ COOKING TEMPERATURE KEY

⑧ TIME KEY

⑨ DOWN ARROW KEY

⑩ ADJUSTMENT KNOB

⑪ MOISTURE VENT KEY  
ELECTRIC MODELS ONLY

REATHERM MODE KEY ⑫

CONVECTION MODE KEY ⑬

PROGRAM INSTALL/EDIT KEY ⑭  
DELUXE MODELS ONLY

FUNCTION & OPERATING ⑮  
INDICATORS

CONTROL PANEL DISPLAY ⑯

CORE TEMPERATURE KEY ⑰

UP ARROW KEY ⑱

RAPID-TOUCH KEYS ⑲  
DELUXE MODELS ONLY

# STANDARD & DELUXE CONTROL PANEL BASIC FUNCTION

- 1 POWER ON/OFF KEY**  
Activates power to the oven and automatically fills the steam generator equipped models with water that will heat to a stand-by mode temperature of 188°F (87°C). The steam generator flush is also activated by pressing this key.
- 2 STEAM MODE KEY**  
The oven will operate in the steam mode at a temperature range of 86°F to 248°F (30°C to 120°C).
  - Automatic steaming at 212°F (100°C) **FACTORY-SET DEFAULT.**
  - Quick steaming between 213°F and 248°F (101°C and 120°C).
  - Low Temperature Steaming between 86°F and 211°F (30°C and 99°C).
- 3 START/STOP KEY**  
Initiates all cooking mode functions and programmed procedures stored in memory. Stops an activated cooking mode or programmed procedure currently in progress, and exits the Chef function key **6**.
- 4 COMBINATION MODE KEY**  
Selection key for cooking with a combination of steam and convection heat that can be set within a temperature range of 212°F to 482°F (100°C to 250°C).
- 5 PROGRAMMED MENU KEY**  
Used to access and exit a menu list of all stored cooking programs that can be reviewed in display **16**. **DELUXE MODELS ONLY**
- 6 CHEF FUNCTION KEY**  
Used to select programmed menu functions, various auxiliary functions, and several chef help instructions.
- 7 COOKING TEMPERATURE KEY**  
Used to set the required cooking temperature, to recall the set cooking temperature, or to check the actual oven temperature in conjunction with the down arrow key **9**, the up arrow key **18** or the adjustment knob **10**.
- 8 TIME KEY**  
Used to set the required cooking time or recall the set cooking time in conjunction with the down arrow key **9**, the up arrow key **18**, or the adjustment knob **10**.
- 9 DOWN ARROW KEY**  
Used to decrease displayed cook temperature **7**, time **8**, or core temperature **17** and as a scrolling key for programming functions.
- 10 ADJUSTMENT KNOB**  
Displays oven functions. Serves the same function as the up and down arrow keys to increase or decrease the displayed cook temperature **7**, time **8**, or core temperature **17**.
- 11 MOISTURE VENT KEY *ELECTRIC MODELS ONLY***  
Immediately vents steam and condensate from the oven compartment while cooking in the Convection mode **13** or in the Combination mode **4**.
- 12 RETHERM MODE KEY**  
Food rethermalization or reheating mode will operate with automatic steam injection at a temperature range of 248°F to 320°F (120°C to 160°C).
- 13 CONVECTION MODE KEY**  
Selection key for convection cooking without steam at a temperature range of 86°F to 482°F (30°C to 250°C).
- 14 PROGRAM INSTALL AND EDIT KEY**  
Used to create, change, duplicate, and delete programmed menus. **DELUXE MODELS ONLY.**
- 16 .....CONTROL PANEL DISPLAY**
- 17 CORE TEMPERATURE KEY**  
Used to set the required internal product temperature, to recall the internal product temperature set by the operator, or to display the current internal temperature of the product in conjunction with the down arrow key **9**, the up arrow key **18**, or the adjustment knob **10**.
- 18 UP ARROW KEY**  
Used to increase displayed cook temperature **7**, time **8**, or core temperature **17** and as a scrolling key for programming functions.
- 19 .....RAPID-TOUCH KEYS *DELUXE MODELS ONLY.***  
One-touch cooking for immediate access to frequently used operator set programs including cooking modes, cleaning, and other oven functions.

CONTINUED

# STANDARD & DELUXE CONTROL PANEL BASIC FUNCTIONS

Зип Общепит

## 15 FUNCTION & OPERATING INDICATORS

vsezip.ru

17(812)987 08 81



### A. GOLD-N-BROWN FEATURE

This indicator will illuminate when the browning function is set by the operator in a timed or programmed cooking cycle in either convection mode or combination mode.



### B. COMBI SMOKER (ON EQUIPPED MODELS)

This indicator will illuminate when the smoking function is set by the operator in a timer, probe or programmed cooking cycle in either convection mode or combination mode.



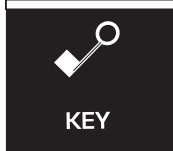
### C. REDUCED FAN SPEED

This indicator will illuminate whenever the operator sets a reduced fan speed to protect products affected by high-velocity air movement.



### D. CONFIRMATION OF OVEN OPERATION

This indicator illuminates whenever the oven is operating in any mode.



### E. KEY LOCK

This indicator will illuminate when operator has locked any mode key or function to prevent unauthorized or accidental changes.



### F. MOISTURE VENT

This indicator will illuminate whenever the Moisture Vent Key ⑪ is pressed by the operator to eliminate excessive moisture.



### G. ENERGY LOCK

**FOR USE WITH OVENS INSTALLED UNDER AN ALTO-SHAAM VENTLESS HOOD.**

This indicator is a safety feature that will illuminate and prevent the oven from being operated unless the ventless oven hood is operating.



# SET-UP PROCEDURES


Зип Общепит

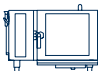
## SET UP MENU


Following installation, the control should be set with the date and time. In addition to the date and time, the set-up function provides the operator with the ability to adjust a number of other Combitherm operating conditions to conform with the needs of the individual installation.

+7(812)987-08-81

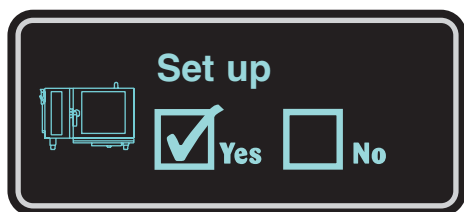
 PRESS THE ON/OFF POWER KEY TO THE ON POSITION.


 PRESS THE CHEF FUNCTION KEY.

 Rotate the adjustment knob until the set up symbol is highlighted within the display.

 PRESS THE CHEF FUNCTION KEY.










Press the up  $\Delta$  and down  $\nabla$  arrow keys or rotate the adjustment knob to select “YES” for the set up function.





 PRESS THE CHEF FUNCTION KEY TO CONFIRM THE SET UP FUNCTION.

Press the up  $\Delta$  and down  $\nabla$  arrow keys or rotate the adjustment knob to highlight one of the following adjustment functions:


### SET UP ADJUSTMENT CHOICES

-  **SIGNAL TONE**
-  **VOLUME**
-  **TIME**
-  **DATE**
-  **PROGRAM INDEX**
-  **Auto Memo** **DEFAULT/MEMO SETTINGS**
-  **TEMPERATURE DISPLAY**
-  **NETWORK ADDRESS**
-  **LANGUAGE**

## SIGNAL TONE

 Rotate the adjustment knob until the signal tone symbol  is highlighted within the display.

 PRESS THE CHEF FUNCTION KEY TO CONFIRM THE SIGNAL TONE SELECTION.



 Press the up  $\Delta$  and down  $\nabla$  arrow keys or rotate the adjustment knob to select each tone offered. Stop rotation at each individual setting to hear an audio playback. Select the tone desired.

 PRESS THE CHEF FUNCTION KEY TO CONFIRM THE SELECTED SIGNAL TONE SETTING.




# SET-UP PROCEDURES

ALWAYS BEGIN SET UP ADJUSTMENTS FROM THE SET UP MENU .

## VOLUME



 Rotate the adjustment knob until the volume symbol  is highlighted within the display.

 PRESS THE CHEF FUNCTION KEY TO CONFIRM THE VOLUME SELECTION.




 Press the up  and down  arrow keys or rotate the adjustment knob to select each volume level offered. Stop rotation at each individual setting to hear an audio playback. Select the volume desired with consideration of the noise level within the kitchen during peak production periods.

 PRESS THE CHEF FUNCTION KEY TO CONFIRM THE VOLUME SETTING.

## TIME



 Rotate the adjustment knob until the time symbol  is highlighted within the display.

 PRESS THE CHEF FUNCTION KEY TO CONFIRM THE TIME SELECTION.

 Press the up  and down  arrow keys to alternate between hours and minutes and rotate the adjustment knob in each to adjust the numbers to the correct time.




 PRESS THE CHEF FUNCTION KEY TO CONFIRM THE SET TIME.

## DATE

 Rotate the adjustment knob until the date symbol  is highlighted within the display.



 PRESS THE CHEF FUNCTION KEY TO CONFIRM THE DATE SELECTION.

Rotate the adjustment knob to select the preferred date format.



 Press the up  and down  arrow keys to alternate between day, month and year, and rotate the adjustment knob in each to adjust the numbers to the correct settings.


 PRESS THE CHEF FUNCTION KEY TO CONFIRM THE SET DATE.

## PROGRAM INDEX

 Rotate the adjustment knob until the program index symbol  is highlighted within the display.

 PRESS THE CHEF FUNCTION KEY TO CONFIRM THE PROGRAM INDEX SELECTION.

Press the up  and down  arrow keys or rotate the adjustment knob to select the preferred index format:

 **“YES”** for a listing of programs entered alphabetically with the program install/edit key.  
**“NO”** for a listing of programs entered numerically with the program install/edit key.

 PRESS THE CHEF FUNCTION KEY TO CONFIRM THE PROGRAM INDEX SETTING.

# SET-UP PROCEDURES

ALWAYS BEGIN SET UP ADJUSTMENTS FROM THE SET UP MENU .


## DEFAULT/MEMO SETTING

The default/memo setting allows the operator to choose between a display showing the factory set defaults for time and temperature or the last operator set values for time and temperature in each cooking mode. This adjustment function also allows the operator to change the defaults from those set at the factory to settings that better meet the needs of the individual operation.

Cooking product with operator set defaults for time and temperature can help reduce operator error. Cooking with the oven in the memo setting is particularly useful when several batches are cooked in succession. The memo setting eliminates the necessity to set time and temperature for each batch.


 Rotate the adjustment knob until the default/memo symbol  is highlighted within the display.

 PRESS THE CHEF FUNCTION KEY TO CONFIRM THE DEFAULT/MEMO SELECTION.

 Rotate the adjustment knob to “NO” for memo. This setting will display the last operator set values for time and temperature in each cooking mode.










 PRESS THE CHEF FUNCTION KEY TO CONFIRM THE MEMO SETTING.

## TO CHANGE THE DEFAULT SETTINGS

 Rotate the adjustment knob to select “YES”.

A numbered list of default descriptions will appear in the display. Rotate the adjustment knob until the setting to be changed is highlighted. Press the up  $\Delta$  arrow key to highlight the time or temperature to be changed. Rotate the adjustment knob to change the default to the setting desired. Press the down  $\nabla$  arrow key to save the new default setting.

 PRESS THE CHEF FUNCTION KEY TO CONFIRM THE NEW DEFAULT SETTINGS.

| COMBITHERM FACTORY SET DEFAULT SETTINGS  |  |  |  |
|--|--|--|--|
| COOKING MODE   | OVEN TEMPERATURE  | CORE TEMPERATURE  | COOKING TIME  |
|  STEAM MODE             | 212°F<br>(100°C)   | 158°F<br>(70°C)  | 25 MINUTES   |
|  COMBINATION STEAM MODE | 302°F<br>(150°C)   | 158°F<br>(70°C)  | 70 MINUTES   |
|  CONVECTION MODE        | 338°F<br>(170°C)   | 158°F<br>(70°C)  | 30 MINUTES   |
|  RETHERM MODE           | 275°F<br>(135°C)   | 158°F<br>(70°C)  | 5 MINUTES  |
|  DELTA-T MODE           | 122°F<br>(50°C)  | 172°F<br>(77°C)  | FREE   |
|  PREHEAT MODE           | 374°F<br>(140°C)   | FREE   | —  |


# SET-UP PROCEDURES

ALWAYS BEGIN SET UP ADJUSTMENTS FROM THE SET UP MENU .

## TEMPERATURE DISPLAY



 Rotate the adjustment knob until the temperature display symbol  is highlighted within the display.

 PRESS THE CHEF FUNCTION KEY TO CONFIRM THE TEMPERATURE DISPLAY SELECTION.

 Press the up  $\triangle$  and down  $\nabla$  arrow keys or rotate the adjustment knob to select either Fahrenheit or Celsius.


 PRESS THE CHEF FUNCTION KEY TO CONFIRM THE TEMPERATURE DISPLAY SETTING.

## NETWORK ADDRESS

 Press the up  $\triangle$  and down  $\nabla$  arrow keys or rotate the adjustment knob until the network address symbol  is highlighted within the display.



 PRESS THE CHEF FUNCTION KEY TO CONFIRM THE NETWORK ADDRESS SELECTION.

The current network address will appear in the display.


 Rotate the adjustment knob to select 1 through 99 and assign a different network number for each PC to be connected.

 PRESS THE CHEF FUNCTION KEY TO CONFIRM EACH NETWORK ADDRESS.

## LANGUAGE

 Press the up  $\triangle$  and down  $\nabla$  arrow keys or rotate the adjustment knob until the language symbol  is highlighted within the display.

 PRESS THE CHEF FUNCTION KEY TO CONFIRM THE LANGUAGE PROGRAM SELECTION.

 Rotate the adjustment knob to select the required language.

**CHINESE**  
**DUTCH**  
**ENGLISH\***  
**FRENCH**  
**GERMAN**

**ITALIAN**  
**JAPANESE**  
**KOREAN**  
**POLISH**  
**PORTUGUESE**

**RUSSIAN**  
**SPANISH**  
**SWEDISH**

\*U.S. FACTORY SETTING

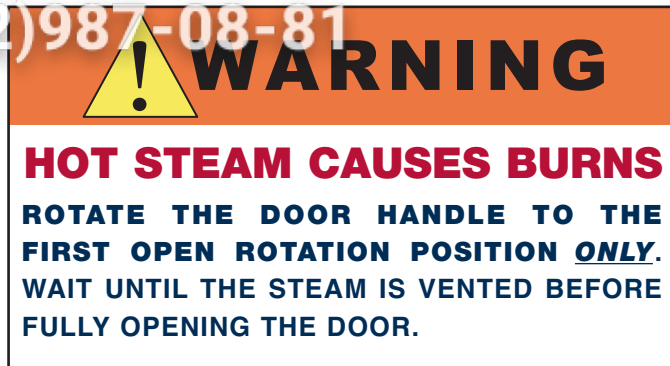
**NOTE:** SOME OF THE LANGUAGE SELECTIONS SHOWN ABOVE MAY NOT BE AVAILABLE ON ALL MODELS.

 PRESS THE CHEF FUNCTION KEY TO CONFIRM THE LANGUAGE SETTING.

# IMPORTANT SAFETY PRECAUTIONS

**NOTE:** Automatic steam venting is a standard safety feature built into all Combitherm oven models. This feature vents all steam from the oven compartment **IMMEDIATELY BEFORE COOKING TIME EXPIRES.**

This function is provided in all programmed and timed production when operating in any Steam, Combination, Convection, and Retherm cooking mode. Automatic steam venting does not function if the oven door is opened before time expires or when the oven has been set to continuous operation.



**WARNING**

**HOT STEAM CAUSES BURNS**

ROTATE THE DOOR HANDLE TO THE FIRST OPEN ROTATION POSITION **ONLY**. WAIT UNTIL THE STEAM IS VENTED BEFORE FULLY OPENING THE DOOR.

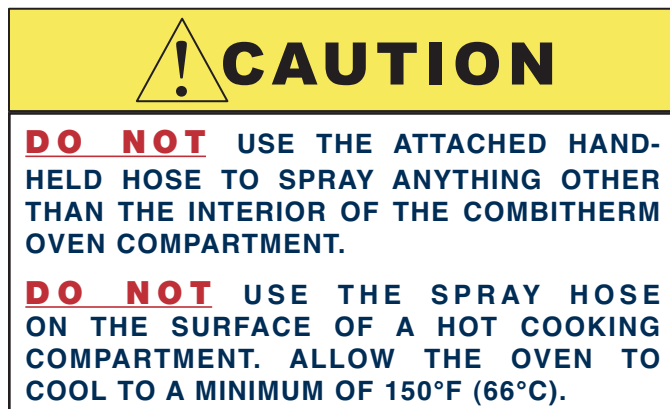


**DANGER**

AT NO TIME SHOULD THE INTERIOR OR EXTERIOR BE STEAM CLEANED, HOSED DOWN, OR FLOODED WITH WATER OR LIQUID SOLUTION OF ANY KIND. DO NOT USE WATER JET TO CLEAN.

**SEVERE DAMAGE OR ELECTRICAL HAZARD COULD RESULT.**

WARRANTY BECOMES VOID IF APPLIANCE IS FLOODED.



**CAUTION**

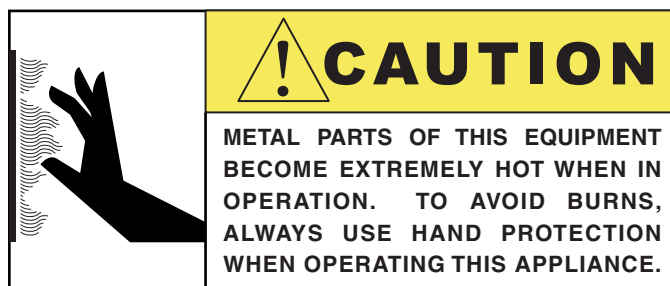
**DO NOT** USE THE ATTACHED HAND-HELD HOSE TO SPRAY ANYTHING OTHER THAN THE INTERIOR OF THE COMBITHERM OVEN COMPARTMENT.

**DO NOT** USE THE SPRAY HOSE ON THE SURFACE OF A HOT COOKING COMPARTMENT. ALLOW THE OVEN TO COOL TO A MINIMUM OF 150°F (66°C).



**WARNING**

**DO NOT** HANDLE PANS CONTAINING LIQUID OR SEMILIQUID PRODUCTS POSITIONED ABOVE THE EYE LEVEL OF THE OPERATOR. SUCH PRODUCTS CAN SCALD AND CAUSE SERIOUS INJURY.



**CAUTION**

METAL PARTS OF THIS EQUIPMENT BECOME EXTREMELY HOT WHEN IN OPERATION. TO AVOID BURNS, ALWAYS USE HAND PROTECTION WHEN OPERATING THIS APPLIANCE.

**NOTE: USE AUTHORIZED COMBITHERM OVEN CLEANER ONLY.** UNAUTHORIZED CLEANING AGENTS MAY DISCOLOR OR HARM INTERIOR SURFACES OF THE OVEN. READ AND UNDERSTAND LABEL AND MATERIAL SAFETY DATA SHEET BEFORE USING THE OVEN CLEANER.

## FOR OPERATOR SAFETY

**NOTE AND OBSERVE ALL SAFETY PRECAUTIONS LOCATED THROUGHOUT THIS GUIDE.**

# STEAM MODE

## STEAM ● LOW TEMPERATURE STEAM ● QUICK STEAM

The Steam mode provides the operator with the ability to steam, poach, or blanch. This mode will automatically steam at the boiling point of water; quick-steam above the boiling point for faster cooking results; or low temperature steam, below the boiling point, for more delicate products such as pâté, mousse, seafood, or custard.



 PRESS THE ON/OFF POWER KEY TO THE ON POSITION.

 PRESS THE STEAM MODE KEY.

Automatic Steam temperature of 212°F (100°C) will appear in the display.

The last set time or oven control default setting for time will appear in the display.

 **PRESS THE START KEY TO STEAM AT THE SETTINGS SHOWN.**

### TO CHANGE THE SETTINGS SHOWN:

 PRESS THE TEMPERATURE KEY.

The cooking temperature will appear highlighted within the oven display.



Press the up  $\Delta$  and down  $\nabla$  arrow keys or rotate the adjustment knob to select the desired cooking temperature.

- Automatic Steaming 212°F (100°C)
- Quick-steaming 213°F to 248°F (101°C to 120°C)
- Low Temperature Steaming 86°F to 211°F (30°C to 99°C)

### TO COOK BY TIME:


 PRESS THE TIME KEY.

The cooking time will appear highlighted within the oven display.



Press the up  $\Delta$  and down  $\nabla$  arrow keys or rotate the adjustment knob to select the time desired...

**or**

Set control for continuous operation by rotating the adjustment knob to the right until  appears in the display.

### TO COOK BY INTERNAL PRODUCT TEMPERATURE:





 PRESS THE CORE TEMP KEY.

The previously set core temperature or oven control default setting will appear highlighted within the oven display.



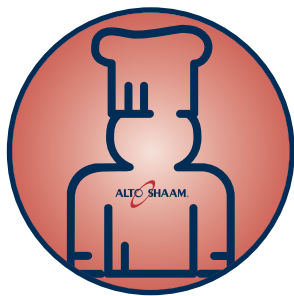
Press the up  $\Delta$  and down  $\nabla$  arrow keys or rotate the adjustment knob to select the internal temperature desired and insert the product probe.

 **PRESS THE START KEY TO BEGIN COOKING IN THE STEAM MODE.**

- The set cooking temperature will appear in the display. To adjust the set temperature, press the  key once and make corrections as required. To display the actual oven temperature, press the  key twice.
- The remaining cooking time will appear in the display. To display the set time or to change the set values for time during operation, press the time key  once and make corrections as required.
- The actual internal product temperature will appear in the display. To display the set internal product temperature or to change the set values for core temperature during operation, press the  key once and make corrections as required.

When the cooking time has expired or the operator set internal temperature has been reached, a buzzer will sound indicating the end of the operating mode.

- To stop the buzzer, press the start/stop key  or open the oven door.



# STEAM MODE

## CHEF OPERATING TIPS

This mode will steam a full or partial load of a single product, or multiple products without transfer of flavors. When steaming multiple products, however, individual product cooking times must be taken into consideration. The non-pressurized atmosphere of the Combitherm also provides the ability to open the door during the steam mode in order to monitor products more closely throughout the steaming process.

### STEAM

Perforated, 2-1/2" deep pans (65mm) are particularly suitable for use in this program mode. These pans will provide a shorter cooking time and will prevent product over-cooking at the bottom of the pan.

---

Separate ice-encased vegetables before steaming to assure more even cooking.

---

A variety of products can be steamed at the same time but attention must be paid to the different cooking times required for each food product.

---

Butter and season vegetables after steaming.

---

Steam long-grain rice using approximately 1-part rice to approximately 1-1/2-parts water or seasoned liquid.

---

Steam durum wheat noodles in unperforated pans using 1-part noodles to 5-parts cold water.

---

### QUICK STEAMING

Quick steaming is suitable for hearty, root-type vegetables such as potatoes, legumes, and cabbage.

---

Quick steaming provides a cooking time which is approximately 10-percent shorter than the regular steam mode temperature of 212°F (100°C).

---

Set the steam cooking temperature between 221°F (105°C) and 230°F (110°C) for small loads and between 230°F (110°C) and 248°F (120°C) for full loads.

---

### LOW TEMP STEAM

The low temperature steam mode will function whenever the oven compartment temperature is below 212°F (100°C).

---

Proof yeast dough at a temperature setting of 90°F to 110°F (32°C to 43°C).

---

It will take longer to steam products using the low temperature steam mode.

---

Steaming sausages in low temperature steam prevents cracked or peeling skins.

---

Use low temperature steam for delicate foods such as shrimp, fish, seafood, and crème caramel.

---

For best results, low temperature steam all delicate food items at a temperature of 210°F (99°C) or below.


---

# COMBINATION MODE

The Combination mode will prove to be the most versatile and widely used mode the Combitherm oven has to offer. It will produce the best possible results on the widest variety of products — all within the shortest period of time. The unique control function of this mode enables the operator to roast or bake with a combination of steam and convection heat. In addition to shorter cooking times, this combination of steam and heat offers less product shrinkage and more moisture retention than obtained in a standard convection oven.



 PRESS THE ON/OFF POWER KEY TO THE ON POSITION.


 PRESS THE COMBINATION MODE KEY.  
The last set values or oven control default setting for temperature will appear in the display.  
The last set time or oven control default setting for time will appear in the display.


 **PRESS THE START KEY TO COOK AT THE SETTINGS SHOWN.**

---

## TO CHANGE THE SETTINGS SHOWN:

---

 PRESS THE TEMPERATURE KEY.  
The cooking temperature will appear highlighted within the oven display.



 Press the up  $\Delta$  and down  $\nabla$  arrow keys or rotate the adjustment knob to select the desired cooking temperature.  
• 212°F to 482°F (100°C to 250°C)

---

## TO COOK BY TIME:

---

 PRESS THE TIME KEY.  
The cooking time will appear highlighted within the oven display.


 Press the up  $\Delta$  and down  $\nabla$  arrow keys or rotate the adjustment knob to select the time desired...  
**or**  
Set control for continuous operation by rotating the adjustment knob to the right until  appears in the display.

---





## TO COOK BY INTERNAL PRODUCT TEMPERATURE:

---

 PRESS THE CORE TEMP KEY.  
The core temperature will appear highlighted within the oven display.

 Press the up  $\Delta$  and down  $\nabla$  arrow keys or rotate the adjustment knob to select the internal temperature desired and insert the product probe.

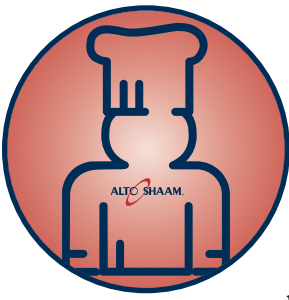
 **PRESS THE START KEY TO BEGIN COOKING IN THE COMBINATION MODE.**

- The set cooking temperature will appear in the display. To adjust the set temperature, press the  key once and make corrections as required. To display the actual oven temperature, press the  key twice.
- The remaining cooking time will appear in the display. To display the set time or to change the set values for time during operation, press the time key  once and make corrections as required.
- The actual internal product temperature will appear in the display. To display the set internal product temperature or to change the set values for core temperature during operation, press the  key once and make corrections as required.

When the cooking time has expired or the operator set internal temperature has been reached, a buzzer will sound indicating the end of the operating mode.

- To stop the buzzer, press the start/stop key  or open the oven door.





## COMBINATION MODE CHEF OPERATING TIPS

The Combination mode injects the optimum amount of steam automatically. There is no need to select moisture levels. Foods do not dry out. Flavors are retained with no transfer of flavors when mixing product loads.

---

Due to the automatic steam adjustment, the door can be opened at any time during a cooking operation. Be certain to observe the safety warning when opening the oven door.

---

The Combination mode is particularly efficient when used for baking, broiling, grilling, stewing, braising, and roasting.

---

When using the Combination mode, cooking temperatures can be reduced 10- to 20-percent below the temperatures used for conventional cooking methods.

---

Cooking time will be reduced approximately 40-percent when cooking at the same temperature used for convection oven cooking and up to 50- to 60-percent less time when cooking at the same temperature used for a conventional oven.

---

Food browning in the Combitherm begins at a cooking temperature of approximately 248°F (120°C).

---

A higher cooking temperature results in heavier browning but also results in greater product weight loss. To achieve additional browning use the Moisture Vent Key or set Gold-n-Brown into the product procedure. Gold-n-Brown is particularly useful for adding color to high moisture products such as chicken and other poultry items or for additional browning of full loads and other moist products.

---

The Combination mode provides even browning without the necessity to turn the pans.

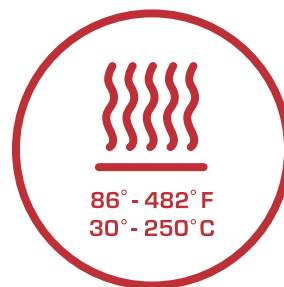
---

For more even cooking, do not cook in pans deeper than 4-inches (100mm).


---

# CONVECTION MODE

The Convection mode operates with hot circulated air within a temperature range of 86° to 482°F (30° to 250°C). For many applications, better results may be achieved with the Combination mode; therefore, the operator may want to consider using the Convection mode on a more limited basis.





 PRESS THE ON/OFF POWER KEY TO THE ON POSITION.

 PRESS THE CONVECTION MODE KEY.  
The last set values or oven control default setting for temperature will appear in the display.  
The last set time or oven control default setting for time will appear in the display.

 **PRESS THE START KEY TO COOK AT THE SETTINGS SHOWN.**


## TO CHANGE THE SETTINGS SHOWN:

 PRESS THE TEMPERATURE KEY.  
The cooking temperature will appear highlighted within the oven display.

 Press the up  $\Delta$  and down  $\nabla$  arrow keys or rotate the adjustment knob to select the desired cooking temperature.  
• 86° to 482°F (30° to 250°C)

## TO COOK BY TIME:

 PRESS THE TIME KEY.  
The cooking time will appear highlighted within the oven display.


 Press the up  $\Delta$  and down  $\nabla$  arrow keys or rotate the adjustment knob to select the time desired...

**or**





Set control for continuous operation by rotating the adjustment knob to the right until  appears in the display.

## TO COOK BY INTERNAL PRODUCT TEMPERATURE:

 PRESS THE CORE TEMP KEY.  
The core temperature will appear highlighted within the oven display.

 Press the up  $\Delta$  and down  $\nabla$  arrow keys or rotate the adjustment knob to select the internal temperature desired and insert the product probe.

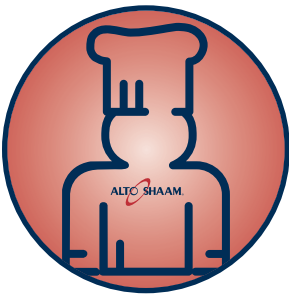
 **PRESS THE START KEY TO BEGIN THE COOKING MODE.**

- The set cooking temperature will appear in the display. To adjust the set temperature, press the  key once and make corrections as required. To display the actual oven temperature, press the  key twice.
- The remaining cooking time will appear in the display. To display the set time or to change the set values for time during operation, press the time key  once and make corrections as required.
- The actual internal product temperature will appear in the display. To display the set internal product temperature or to change the set values for core temperature during operation, press the  key once and make corrections as required.

When the cooking time has expired or the operator set internal temperature has been reached, a buzzer will sound indicating the end of the operating mode.

- To stop the buzzer, press the start/stop key  or open the oven door.

**To check the length of time the product has been operating in the core temperature mode, press and hold the time key  along with the core temperature key . The time period will appear at the top of the display.**



## CONVECTION MODE CHEF OPERATING TIPS

The Convection Mode can be used to roast or bake products needing very short cooking times or for high moisture products such as muffins, cakes, and cookies, or for browning the surface of the product.

The Convection mode works best with foods containing little moisture or for very moist food which require a dryer finished product.

---

For baking, preheat the Combitherm at a temperature of 36°F to 54°F (20°C to 30°C) above the baking temperature required. Once preheated, reset the temperature as required.

---

A higher cooking temperature results in heavier browning but also results in greater product weight loss. To achieve additional browning use the Moisture Vent Key or set the Browning Feature into the product procedure.

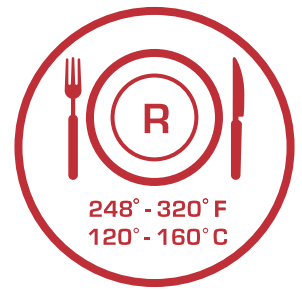
---

To prevent the surface of food from excessive drying, the fan will not engage if the internal oven temperature is above 212°F (100°C) and the set oven temperature is below 212°F (100°C).


---

# RE THERM MODE

The Retherm mode can be used to rethermize (regenerate) portioned food on plates, trays, or platters within a short period of time. Steam is automatically injected into the oven compartment as required. Items are brought up to proper serving temperatures without dry edges or condensate forming on the plates.





 PRESS THE ON/OFF POWER KEY TO THE ON POSITION.

 PRESS THE RETHERM MODE KEY.  
The last set values or the default settings will appear in the display.

 PRESS THE START KEY TO COOK AT THE SETTINGS SHOWN.



## TO CHANGE THE SETTINGS SHOWN:

 PRESS THE TEMPERATURE KEY.  
The cooking temperature will appear highlighted within the oven display.

 Press the up  $\Delta$  and down  $\nabla$  arrow keys or rotate the adjustment knob to select the desired cooking temperature.  
• 248° to 320°F (120° to 180°C)


## TO COOK BY TIME:

 PRESS THE TIME KEY.  
The cooking time will appear highlighted within the oven display.





 Press the up  $\Delta$  and down  $\nabla$  arrow keys or rotate the adjustment knob to select the time desired...  
**or**  
Set control for continuous operation by rotating the adjustment knob to the right until  appears in the display.

## TO COOK BY INTERNAL PRODUCT TEMPERATURE:

 PRESS THE CORE TEMP KEY.  
The core temperature will appear highlighted within the oven display.

 Press the up  $\Delta$  and down  $\nabla$  arrow keys or rotate the adjustment knob to select the internal temperature desired and insert the product probe.

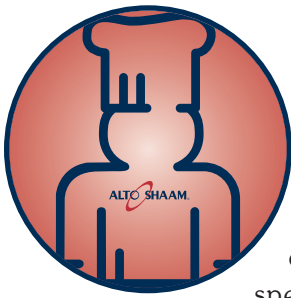
 PRESS THE START KEY TO BEGIN THE RETHERM MODE.

- The set cooking temperature will appear in the display. To adjust the set temperature, press the  key once and make corrections as required. To display the actual oven temperature, press the  key twice.
- The remaining cooking time will appear in the display. To display the set time or to change the set values for time during operation, press the time key  once and make corrections as required.
- The actual internal product temperature will appear in the display. To display the set internal product temperature or to change the set values for core temperature during operation, press the  key once and make corrections as required.

When the cooking time has expired or the operator set internal temperature has been reached, a buzzer will sound indicating the end of the operating mode.

- To stop the buzzer, press the start/stop key  or open the oven door.

**To check the length of time the product has been operating in the core temperature mode, press and hold the time key  along with the core temperature key . The time period will appear at the top of the display.**



# RE THERM MODE CHEF OPERATING TIPS

Since plated meals consist of dissimilar products, there are several important factors to consider in order to produce the finest results. Product density (compactness), thickness, quantity of product on each plate, and quantity of plates all relate to the length of time necessary to reheat. Again, experience is the best method to determine reheating time. Once the time has been determined and recorded for a specific meal, the results will be consistent for future reheating times.

## HELPFUL HINTS FOR REHEATING ON THE PLATE

- ALL FOOD COMPONENTS ON THE PLATE SHOULD BE OF SIMILAR DENSITIES.
- ALL FOOD COMPONENTS ON THE PLATE SHOULD BE SIMILAR IN THICKNESS.
- ARRANGE ALL FOOD COMPONENTS EVENLY ON THE PLATE.
- AVOID EXCESSIVE OVERLAPPING OF PRODUCT.
- SAUCES MUST BE HEATED AND ADDED TO PRODUCT AFTER REHEATING.
- A MIXED VARIETY OF MEALS CAN BE REHEATED AT THE SAME TIME.

## • À LA CARTE RETHERMALIZATION

À la carte rethermalization is designed to take a single plate from a refrigerated temperature to serving temperature for immediate service. Plates are prepared in advance, covered, and refrigerated. Preheat the Combitherm oven. Remove plate from refrigeration and place in the oven at 275°F (135°C) for an uncovered plate or 300°F (150°C) for a covered plate. Plates with meat components will take more time than plates containing all vegetable components. Follow internal temperature requirements for reheating and allow for override time. After reheating, remove the plate from the oven, add any sauces, garnish, and serve. This process can be repeated as required.

For the most efficient continuous service, it is suggested that the Combitherm oven be dedicated to the rethermalization process during serving hours.

## • BANQUET RETHERMALIZATION

Banquet rethermalization is designed for high volume, full or partial load (multiple plate) reheating. For maximum efficiency, it is essential that volume rethermalization be used in conjunction with the utilization of holding cabinets to keep rethermalized food at proper temperatures.

Plates are assembled in advance, covered, and refrigerated or loaded on the roll-in cart and refrigerated. Preheat the Combitherm oven at 275°F (135°C) for uncovered plates or 300°F (150°C) for covered plates. Remove plates or the roll-in cart from refrigeration, load in the oven and set timer as

required. Follow internal temperature requirements for reheating and allow for override time. Remove the plates or roll-in cart from the Combitherm and roll into the companion holding cabinet. Relocate the holding cabinet to the banquet service area.

## • RETHERMALIZING PREFABRICATED AND VACUUM-PACKED FROZEN FOODS

For bulk product rethermalization, completely defrost product bags in walk-in cooler. DO NOT REMOVE PRODUCT FROM THE BAG. Load thawed bags in preheated oven and rethermalize in the Low Temperature Steam mode until the required internal temperature is reached. Place rethermalized bags in a preheated holding cabinet set at 140° to 165°F (60° to 74°C) until ready for service.

For large volume on-the-plate regeneration, defrost bags in walk-in cooler. Open bags and plate per menu requirements in a (MAXIMUM) 55°F (13°C) refrigerated room. Cover plates, place on Alto-Shaam roll-in cart (trolley), and roll into Combitherm oven preheated at 275°F (135°C).

Regenerate in the Convection mode for 3 to 5 minutes. Switch to the Retherm mode for an additional 3 minutes or more if required. Transfer full trolley to a preheated holding cabinet set at 160°F (71°C) until ready for service. In the case of meat cooked to rare, set the cabinet at 140°F (60°C).

## PLATE COVERS MUST BE USED FOR ON-THE-PLATE REGENERATION.



# CORE TEMPERATURE PROBE MODE


Зип Общепит

vsezip.ru

+7(812)987-08-81

As an alternative to timer operation, the Core Temperature Probe mode can be used in conjunction with any program mode to cook by sensing internal product temperature. For a more accurate internal temperature, a specialized Combitherm product probe senses temperature from four strategic points and displays a temperature average.

 PRESS THE ON/OFF POWER KEY TO THE ON POSITION.

 INSERT THE PRODUCT PROBE.


The probe must be inserted so that the tip is positioned in the center of the food mass.

For liquid or semiliquid foods, suspend the probe in the center of the product and secure the probe wire to the container edge.

    SELECT AND PRESS THE REQUIRED COOKING PROGRAM.


 PRESS THE TEMPERATURE KEY.

The cooking temperature will appear highlighted within the oven display.


 Press the up  $\Delta$  and down  $\nabla$  arrow keys or rotate the adjustment knob to select the desired cooking temperature within the temperature range of the cooking mode selected.

 PRESS THE CORE TEMP KEY.

The core temperature will appear highlighted within the oven display.

 Press the up  $\Delta$  and down  $\nabla$  arrow keys or rotate the adjustment knob to select the internal product cutoff temperature.

 PRESS THE START KEY TO BEGIN THE COOKING MODE.

- The actual internal product temperature will appear in the display. To display the set internal product temperature or to change the set values for core temperature during operation, press the  key once and make corrections as required.

When the operator set internal temperature has been reached, a buzzer will sound indicating the end of the operating mode.

- To stop the buzzer, press the start/stop key  or open the oven door.

**To check the length of time the product has been operating in the core temperature mode, press and hold the time key  along with the core temperature key . The time period will appear at the top of the display.**

## CHEF OPERATING TIPS

**To prevent over-cooking, remove product from the oven as soon as the required internal temperature is reached in either the Core Temperature mode or the Core Temperature Delta-T mode. The Core Temperature mode should not be used for cooking thin product items.**

**DO NOT USE THE PROBE WHEN COOKING THIN PRODUCTS.**



# DELTA-T CORE TEMPERATURE COOKING

This special program function cooks by internal product temperature with the use of the probe. Unlike the standard core temperature mode, however, the Delta-T oven temperature automatically increases in direct proportion to the internal temperature of the product. The Delta-T mode cooks with convection heat but provides a more gentle method of cooking. Browning occurs toward the end of the cooking cycle.

Зип Общепит

vsezip.ru

+7(812)987-08-81

① PRESS THE ON/OFF POWER KEY TO THE ON POSITION.

② PRESS THE CHEF FUNCTION KEY.

Press the up  $\Delta$  and down  $\nabla$  arrow keys or rotate the adjustment knob until the Delta-T  $\Delta T$  symbol is highlighted in the display.

③ PRESS THE CHEF FUNCTION KEY.

Press the up  $\Delta$  and down  $\nabla$  arrow keys or rotate the adjustment knob to select "YES" for the Delta-T function.



④ PRESS THE CHEF FUNCTION KEY TO CONFIRM THE SETTING.

⑤ PRESS THE TEMPERATURE KEY.

Press the up  $\Delta$  and down  $\nabla$  arrow keys or rotate the adjustment knob to select the desired Delta-T cooking temperature within the cooking temperature ranges shown below.

⑥ PRESS THE CORE TEMP KEY.

Press the up  $\Delta$  and down  $\nabla$  arrow keys or rotate the adjustment knob to select the internal product cutoff temperature within the temperature ranges shown below.

| PRODUCT     | $\Delta T$ DELTA-T TEMPERATURE $\Delta T$ | CORE TEMPERATURE SETTING      |
|-------------|---|-------------------------------|
| BEEF ROAST  | 122°F to 131°F (50°C to 55°C)             | 118°F to 136°F (48°C to 58°C) |
| TENDERLOIN  | 122°F to 140°F (50°C to 60°C)             | 122°F to 140°F (50°C to 60°C) |
| VEAL & LAMB | 122°F to 158°F (50°C to 70°C)             | 172°F (78°C)                  |
| PORK ROAST  | 122°F to 158°F (50°C to 70°C)             | 172°F (78°C)                  |
| HAM         | 122°F to 140°F (50°C to 60°C)             | 172°F (78°C)                  |

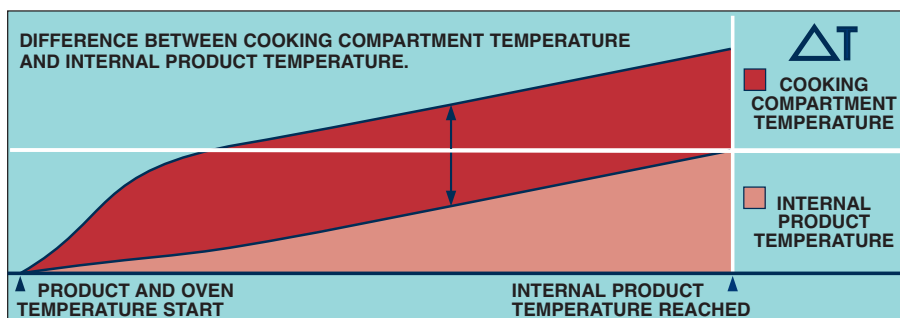
## THE OVEN WILL BEGIN THE DELTA-T CONVECTION COOKING MODE.

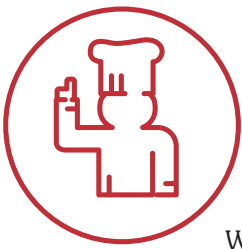
The set Delta-T temperature will appear in the display.  
The actual internal product temperature will appear in the display.



When the operator set internal temperature has been reached, a buzzer will sound indicating the end of the operating mode.

- To stop the buzzer, press the start/stop key  or open the oven door.






# AUXILIARY FUNCTIONS

## CHEF FUNCTION KEY

There are several auxiliary functions available through the use of the Chef Function Key.

With the exception of the ability to add additional moisture to the oven compartment, that can only be used during the convection mode, all additional functions can be engaged at any time during any cooking mode. Chef Functions can also be programmed into a cooking procedure in oven models that include the deluxe programmable feature. At the end of a cooking mode or program, the oven automatically disengages all operator-set chef functions. These functions, however, do remain programmed and will reengage the next time the programmed procedure is used.

### PREHEATING



THE PREHEATING FUNCTION IS ENGAGED IN THE CONVECTION  MODE AT A FIXED TEMPERATURE AND TIME. BOTH THE TEMPERATURE AND TIME CAN BE ADJUSTED BY THE OPERATOR TO COMPLY WITH THE REQUIREMENTS OF THE INDIVIDUAL OPERATION.

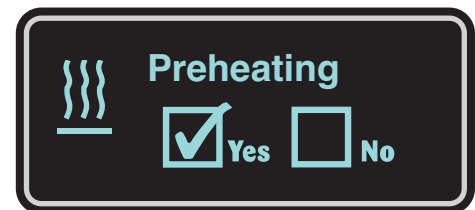
**SEE START UP PROCEDURES UNDER DEFAULT/MEMO SETTING** 

 PRESS THE CHEF FUNCTION KEY.

Rotate the adjustment knob until the preheat symbol  is highlighted in the display.


 PRESS THE CHEF FUNCTION KEY.

Press the up  and down  arrow keys or rotate the adjustment knob to select “YES” for the Preheat function.



 PRESS THE CHEF FUNCTION KEY TO CONFIRM THE SETTING.

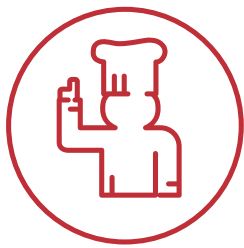
 **THE OVEN WILL BEGIN THE PREHEAT FUNCTION.**

- The set preheat temperature will appear in the display.
- The set preheat time will appear in the display.
- The preheat symbol  will appear in the display.

When the set time and temperature has been reached, a buzzer will sound indicating the end of the preheat function.

- To stop the buzzer, press the start/stop key  or open the oven door.





# AUXILIARY FUNCTIONS

Вип Общепит

## CHEF FUNCTION KEY

vsezip.ru

### GOLD-N-BROWN

17(812)987-08-81

The browning feature is an automatic function designed to regulate humidity for additional color to products as needed. This feature is particularly useful for adding color to high moisture products such as chicken and other poultry items or for additional browning of full loads and other moist products. In addition, this feature may be used to add texture to fried items such as French fries or breaded chicken. Gold-n-Brown can be used in both the combination mode and the convection mode and can be programmed into a cooking procedure.


Browning can be used for any product with a set cooking time more than 5-minutes. Depending on the type of product and product load, the browning feature may also slightly increase the set cooking time in order to fully complete the browning function. This is a standard operating condition of this feature.



SELECT AND PRESS THE REQUIRED COOKING MODE AND SET MODE FUNCTIONS.





PRESS THE CHEF FUNCTION KEY.

Rotate the adjustment knob until the browning symbol  is highlighted within the display.

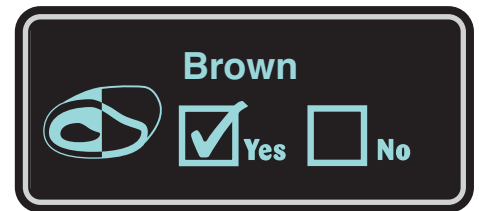


PRESS THE CHEF FUNCTION KEY.


Press the up  and down  arrow keys or rotate the adjustment knob to select “YES” for the browning function.



is highlighted within



PRESS THE CHEF FUNCTION KEY TO CONFIRM THE SETTING.

The browning indicator light  will illuminate directly above the display.



PRESS THE START KEY.

The oven will engage the browning feature in the Combination or Convection mode set by the operator.



# AUXILIARY FUNCTIONS

## CHEF FUNCTION KEY

### COOL-DOWN FEATURE

The cool-down feature provides the operator with the ability to lower the temperature of the oven compartment at an accelerated pace. This function is useful when it is necessary to immediately change from a high temperature cooking function to a lower temperature function or to the steam program. This function is also useful to help cool the oven compartment in preparation for cleaning.



#### CHEF OPERATING TIP

**When using the cool-down feature in preparation for cleaning, it is important to remember the temperature in the display indicates the air temperature inside the oven compartment and not the interior walls of the oven. Always make certain to allow the oven walls to cool to a minimum of 140°F (60°C) before spraying the compartment with oven cleaner.**


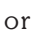


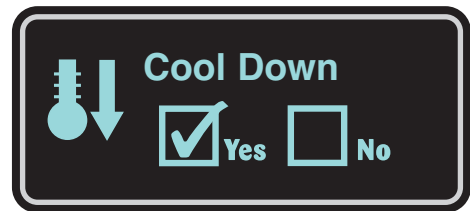
PRESS THE CHEF FUNCTION KEY.

Rotate the adjustment knob until the cool-down symbol  is highlighted in the display.



PRESS THE CHEF FUNCTION KEY.

Press the up  and down  arrow keys or rotate the adjustment knob to select “YES” for the cool-down function.



PRESS THE CHEF FUNCTION KEY TO CONFIRM THE SETTING.



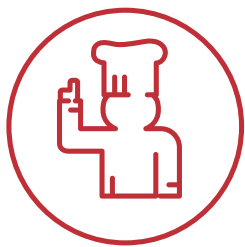
**OPEN THE OVEN DOOR.**

The display will indicate the current temperature of the oven.



ROTATE THE ADJUSTMENT KNOB TO SELECT A COOL-DOWN TEMPERATURE WITHIN A RANGE OF 212°F TO 68°F (100°C TO 20°C). THE FACTORY SET DEFAULT IS 122°F (50°C).

The displayed temperature will continue to decline until it reaches the operator set temperature or factory default temperature if not selected by the operator.



# AUXILIARY FUNCTIONS

## CHEF FUNCTION KEY

### REDUCED FAN SPEED


The reduced fan speed function is useful for flow-sensitive products such as souffl es and meringues, or any products affected by a high velocity of air movement.



SELECT AND PRESS THE REQUIRED COOKING MODE AND SET MODE FUNCTIONS.



PRESS THE CHEF FUNCTION KEY.

Rotate the adjustment knob until the fan symbol  is highlighted in the display.



PRESS THE CHEF FUNCTION KEY.

Press the up  $\Delta$  and down  $\nabla$  arrow keys or rotate the adjustment knob to select "YES" for the reduced fan speed function.



PRESS THE CHEF FUNCTION KEY TO CONFIRM THE SETTING.

The reduced fan speed indicator light  will illuminate directly above the display.



PRESS THE START KEY.

The oven will start at a reduced fan speed in whatever cooking mode set by the operator.

### REDUCED POWER *ELECTRIC MODELS ONLY*


The reduced power function can be used to reduce kitchen power peaks and energy consumption.



SELECT AND PRESS THE REQUIRED COOKING MODE AND SET MODE FUNCTIONS.



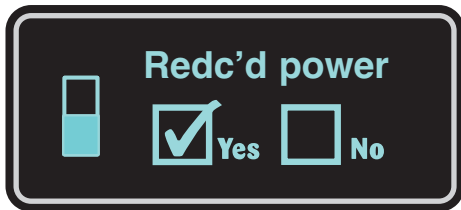
PRESS THE CHEF FUNCTION KEY.

Rotate the adjustment knob until the reduced power symbol  is highlighted in the display.



PRESS THE CHEF FUNCTION KEY.

Press the up  $\Delta$  and down  $\nabla$  arrow keys or rotate the adjustment knob to select "YES" for the reduced power function.



PRESS THE CHEF FUNCTION KEY TO CONFIRM THE SETTING.



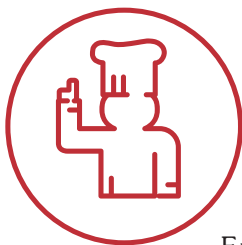
PRESS THE START KEY.

The oven will operate with reduced power in whatever cooking mode set by the operator.

**REDUCED POWER WILL RESULT IN LONGER COOKING TIMES.**

# AUXILIARY FUNCTIONS

## CHEF FUNCTION KEY








### KEY LOCK

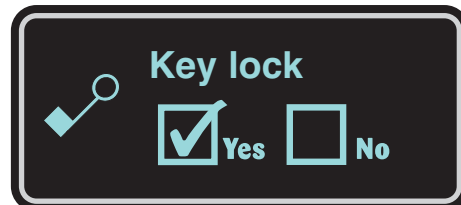
Except as noted, all of the mode keys and functions available on the Combitherm can be locked to prevent unauthorized or accidental changes to the settings.



### OPERATING ELEMENTS THAT CANNOT BE LOCKED






 PRESS THE CHEF FUNCTION KEY.  
Rotate the adjustment knob until the key symbol  is highlighted within the display.

 PRESS THE CHEF FUNCTION KEY.  
Press the up  and down  arrow keys or rotate the adjustment knob to select “YES” for the key lock function.



 PRESS THE CHEF FUNCTION KEY TO CONFIRM THE SETTING.  
 The display will indicate PIN 000.

 ROTATE THE ADJUSTMENT KNOB TO **PIN 000**.  
⇒ PIN 000 is the factory set default to prevent an accidental lock or unlock of the control functions.

 PRESS THE CHEF FUNCTION KEY.  
 **THE DISPLAY WILL INDICATE “ALL KEYS UNLOCKED.”**

### SELECT AND PRESS THE FIRST CONTROL FUNCTION TO BE LOCKED.



The display will indicate “LOCK.”

If the wrong key has been selected and locked in error, press the same control key again and “UNLOCK” will appear in the display.

Continue in this manner until all desired control functions are locked.

 PRESS THE START KEY TO CONFIRM THE LOCKING FUNCTION.

 Whenever any control function has been locked, the key lock symbol will be illuminated within the display.

**KEY** Whenever any locked control function is pressed, the key lock symbol will flash and an audible signal will sound.

### KEY UNLOCK

FOLLOW THE SAME PROCEDURE AS ABOVE UNTIL THE DISPLAY INDICATES “**ALL KEYS UNLOCKED.**”

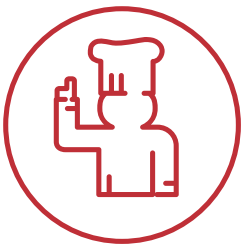
To unlock the Chef Function  key.

 PRESS THE POWER KEY TO TURN THE OVEN OFF.

 PRESS THE CHEF FUNCTION KEY

 ROTATE THE ADJUSTMENT KNOB TO **PIN 000** TO DISENGAGE ALL LOCK FUNCTIONS.

 PRESS THE CHEF FUNCTION KEY. **THE DISPLAY WILL INDICATE “ALL KEYS UNLOCKED.”**



## AUXILIARY FUNCTIONS

Зип Общепит

### CHEF FUNCTION KEY

#### STEAM INJECTION

vsezip.ru

47(812)987-08-81

Additional steam can be added to the cooking compartment at any time when cooking in the convection mode.



PRESS THE CHEF FUNCTION KEY.

Rotate the adjustment knob until the steam injection symbol



is highlighted within the display.



PRESS THE CHEF FUNCTION KEY.

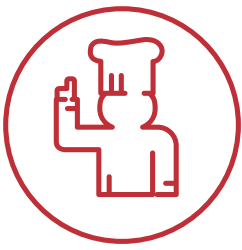
Press the up  $\triangle$  and down  $\nabla$  arrow keys or rotate the adjustment knob to select “YES” for the steam injection function.



PRESS THE CHEF FUNCTION KEY TO ACTIVATE THE STEAM INJECTION FUNCTION.

Additional steam is injected into the oven compartment for a time period of approximately 15 seconds.

**NOTE:** Steam injection cannot be programmed through the control keypad, but can be programmed through optional Kitchen Management software.



# AUXILIARY FUNCTIONS

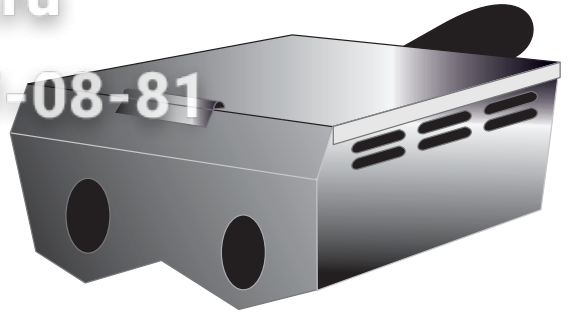
## GENERAL SMOKER OPERATION

### SMOKING FUNCTION

ON EQUIPPED MODELS

#### LOAD WOOD CHIPS.

- Measure one container full of dry wood chips.
- Soak dry chips in water for 5 minutes.
- Shake excess water off wood chips.
- Place moistened chips back into the container and position the container securely on the two prongs located on the interior back panel of the oven.



A full container of wood chips will produce smoke for an approximate period of one to two hours depending on the cooking temperature being used for the selected product. The tested procedures in this manual for many of the products that are appropriate for smoking provide complete product smoke penetration and full smoke flavor.

#### AVAILABLE FROM ALTO-SHAAM

| WOOD CHIPS  | 20 POUND BULK PACKS |  |
|-------------|---------------------|--|
| APPLE       | WC-22543            |  |
| HICKORY     | WC-2829             |  |
| CHERRY      | WC-22541            |  |
| SUGAR MAPLE | WC-22545            |  |

THE TOTAL WEIGHT OF WOOD CHIP BULK PACKS MAY VARY DUE TO HIGH MOISTURE CONTENT WHEN PACKAGED.



#### CHEF OPERATING TIP

Products such as ribs that require heavier smoke penetration to reach full smoke flavor should remain in the oven after cooking has been completed. Do not open the oven door. Set the oven in the Low Temperature Steam Mode at 140° to 160°F (60° to 71°C) and allow the product to remain in the oven for a period of one hour.

If you would like assistance, you are invited to contact an Alto-Shaam corporate chef for recommendations.

**NOTE:** Always keep the OVEN DOOR CLOSED whenever operating the smoking function.

The Combitherm Smoker can be operated without using the smoking function. After using the oven as a smoker, however, it is necessary to clean the oven in order to prevent a transfer of smoke flavor to non-smoked products. Cleaning instructions are provided in this manual.



### CAUTION

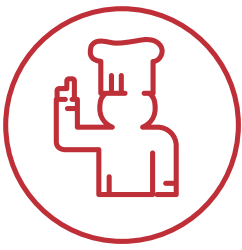
**DO NOT** OPEN THE OVEN DOOR DURING THE SMOKING FUNCTION. The introduction of outside air in the oven compartment may cause the wood chips to flame.



### WARNING

THE USE OF IMPROPER MATERIALS FOR THE SMOKING FUNCTION COULD RESULT IN DAMAGE, HAZARD, EQUIPMENT FAILURE, OR COULD REDUCE THE OVERALL LIFE OF THE OVEN.

**DO NOT** USE SAWDUST FOR SMOKING.  
**DO NOT** USE WOOD CHIPS SMALLER THAN THUMBNAIL SIZE.



# AUXILIARY FUNCTIONS

Зип Общепит

## CHEF FUNCTION KEY

vsezip.ru

### **SMOKER FEATURE**

ON EQUIPPED MODELS U.S. PAT. 7,157,669

The ability to smoke product, hot or cold, is offered on all boiler-free electric models and on all gas models with the exception of the 10•20ESGAS, the 12•18ESGAS, and the 20•20ESGAS. The smoking function can be engaged in either the Combination mode or the Convection mode of operation. The smoking function cannot be operated when the oven is operating in the steam mode or the retherm mode.



SELECT AND PRESS THE REQUIRED COOKING MODE (CONVECTION OR COMBINATION).

### **TO SET COOK TEMPERATURE:**



PRESS THE TEMPERATURE KEY.

The cooking temperature will appear highlighted within the oven display.

Press the up  $\Delta$  and down  $\nabla$  arrow keys or rotate the adjustment knob to select the desired cooking temperature.

### **TO SET COOK TIME:**



PRESS THE TIME KEY.

The cooking time will appear highlighted within the oven display.

Press the up  $\Delta$  and down  $\nabla$  arrow keys or rotate the adjustment knob to select the time desired.

**or**


Set control for continuous operation by rotating the adjustment knob to the right until desired time appears in the display.

### **TO ACTIVATE SMOKER:**



PRESS THE CHEF FUNCTION KEY.



Rotate the adjustment knob until the smoker symbol  is highlighted within the display.



PRESS THE CHEF FUNCTION KEY.

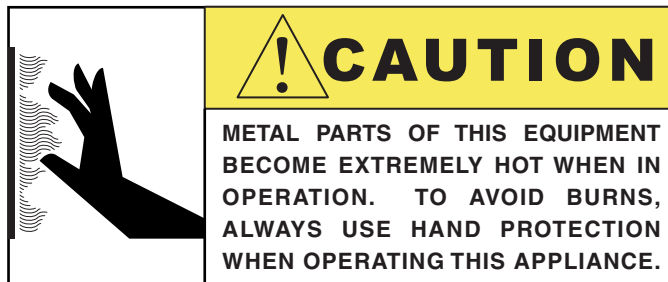
Press the up  $\Delta$  and down  $\nabla$  arrow keys or rotate the adjustment knob to select "YES" for the Smoker function.

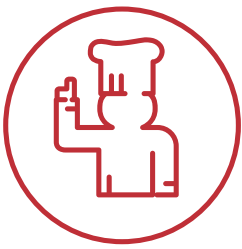


PRESS THE CHEF FUNCTION KEY TO CONFIRM THE SETTING.



PRESS THE START KEY TO ACTIVATE THE SMOKER FUNCTION.





# AUXILIARY FUNCTIONS

Зип Общепит

## CHEF FUNCTION KEY

vsezip.ru


### ENERGY LOCK

**FOR USE WITH OVENS INSTALLED UNDER A VENTLESS HOOD.**

Energy lock is a safety feature to prevent the oven control from being operated unless the ventless oven hood is in operation. The energy lock indicator light will illuminate in the control display if this situation occurs and the oven control will be inoperable until the oven hood is reset and operating.



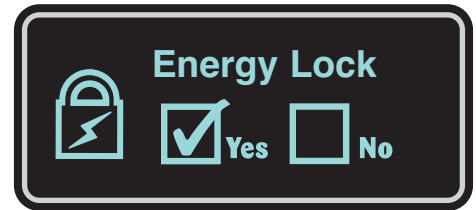
PRESS THE CHEF FUNCTION KEY.

Rotate the adjustment knob until the energy lock symbol  is highlighted within the display.



PRESS THE CHEF FUNCTION KEY.

Press the up  $\triangle$  and down  $\nabla$  arrow keys or rotate the adjustment knob to select “YES” for the energy lock function.



PRESS THE CHEF FUNCTION KEY TO ACTIVATE THE ENERGY LOCK FUNCTION.

The oven control will not operate when power is engaged until the ventless hood is reset and operating.



**Press the “Combi Reset” button on the ventless hood to energize the hood and return the oven control to normal operation.**


### ENERGY PROTECTION FURNISHED UPON REQUEST AS A FACTORY INSTALLED OPTION

In locations where the electric service is regulated with a device installed on site, this function will protect full power to the Combitherm for the duration of the next operator set program or cooking mode. This function cannot be set during an active cooking mode or program. Power interruption may affect all other electric service within the regulated location.

**FOR USE ONLY IN THOSE COUNTRIES WHERE THE LOCAL ELECTRIC UTILITY PROVIDES AN ENERGY OPTIMIZATION SYSTEM INSTALLED ON SITE.**



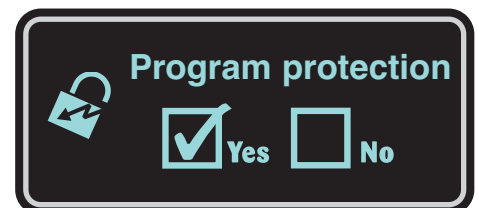
PRESS THE CHEF FUNCTION KEY.

Rotate the adjustment knob until the program protection symbol  is highlighted within the display.



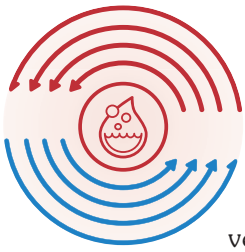
PRESS THE CHEF FUNCTION KEY.

Press the up  $\triangle$  and down  $\nabla$  arrow keys or rotate the adjustment knob to select “YES” for the energy protection function.



PRESS THE CHEF FUNCTION KEY TO ACTIVATE THE PROGRAM PROTECTION FUNCTION.





## ADVANCE FEATURES

### MOISTURE VENT KEY

This function provides the operator with the ability to eliminate excessive moisture from the oven compartment and the exterior surface of the foods being cooked. The moisture vent key is designed to operate in both the Combination mode and in the Convection cooking mode. On deluxe models, this function can also be made part of a cooking program.




PRESS THE MOISTURE VENT KEY TO REDUCE STEAM AND MOISTURE LEVELS IN THE OVEN.

The illuminated, blue portion of the Moisture Vent Key will go out. Open vent  symbol will illuminate within the display.



PRESS THE MOISTURE VENT KEY TO DISENGAGE THE MOISTURE VENT KEY FUNCTION.

The blue portion of the Moisture Vent Key will illuminate. Open vent  symbol within the display will extinguish.

**AT THE END OF A COOKING MODE, THE MOISTURE VENT KEY WILL AUTOMATICALLY DISENGAGE.**

# ADVANCE FEATURES

## QUICK PROGRAMMING

This quick programming function provides the operator with the ability to temporarily program a cooking procedure using multiple cooking modes, along with any auxiliary functions desired. Quick programming is particularly useful when cooking several batches of the same product back-to-back and will remain programmed until any new cooking mode key is pressed.



PRESS AND HOLD THE FIRST REQUIRED COOKING MODE FOR A PERIOD OF 3-SECONDS.

01/01 will appear at the top of the display indicating STEP ONE.

The temperature and time will appear directly below 01/01.



PRESS THE TEMPERATURE KEY.

The temperature will become highlighted within the display.



ROTATE THE ADJUSTMENT KNOB TO SELECT THE REQUIRED TEMPERATURE.



PRESS THE TIME KEY OR THE CORE TEMP KEY .

The time or core temperature will become highlighted within the display.



ROTATE THE ADJUSTMENT KNOB TO SELECT THE REQUIRED SETTING.



PRESS AND HOLD THE SECOND REQUIRED COOKING MODE FOR A PERIOD OF 3-SECONDS.

***Follow the above directions until all steps have been entered.***



PRESS THE START KEY.

The oven will begin cooking as programmed, automatically switching to each cooking mode entered. Each step entered will be indicated in the display as the oven cycles from mode to mode. **EXAMPLE: 01/05 = STEP ONE OF FIVE**

**02/05 = STEP TWO OF FIVE**



PRESS THE STOP KEY OR OPEN THE OVEN DOOR WHEN THE BUZZER SOUNDS AT THE END OF THE PROGRAM.

***THIS PROGRAM WILL REMAIN IN TEMPORARY MEMORY UNTIL ANY NEW COOKING MODE KEY IS PRESSED. QUICK PROGRAMMING CAN BE SAVED AND STORED IN MEMORY ON DELUXE MODELS ONLY.***

# ADVANCE FEATURES

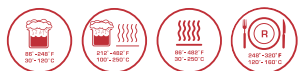
Auxiliary Functions are made part of the control as an additional convenience to the operator, however, these functions are not necessary for the general operation of the Combitherm oven.

## START TIME PRESELECT

Start time preselect provides the operator with the ability to program a fixed start time for oven operation. This function can be operated when cooking in any mode and is offered as a convenience to set an advanced start-up of the preheating function prior to the beginning of the production day. It can also be used for advance start-up for non-refrigerated items such as baked potatoes.

**! CAUTION**

**To prevent food spoilage, this feature is not recommended for use with any raw product that requires temperature maintenance at or under 40°F (4°C).**



SELECT AND PRESS THE REQUIRED COOKING MODE.

Set all mode functions such as temperature, time, core temperature, etc.



The time entered in the initial operational mode setup will automatically be reflected on the start time preselect display.



PRESS AND HOLD THE TIME KEY WHILE TURNING THE ADJUSTMENT KNOB.

The display will indicate the current programmed settings in 24-hour (military) time.



1-HOUR TOTAL COOKING TIME

OVEN START IN 48 MINUTES      STARTING TIME 10:23 A.M.      ENDING TIME 11:23 A.M.

| A.M.  |       | P.M.  |       |
|-------|-------|-------|-------|
| 1:00  | 1:00  | 1:00  | 13:00 |
| 2:00  | 2:00  | 2:00  | 14:00 |
| 3:00  | 3:00  | 3:00  | 15:00 |
| 4:00  | 4:00  | 4:00  | 16:00 |
| 5:00  | 5:00  | 5:00  | 17:00 |
| 6:00  | 6:00  | 6:00  | 18:00 |
| 7:00  | 7:00  | 7:00  | 19:00 |
| 8:00  | 8:00  | 8:00  | 20:00 |
| 9:00  | 9:00  | 9:00  | 21:00 |
| 10:00 | 10:00 | 10:00 | 22:00 |
| 11:00 | 11:00 | 11:00 | 23:00 |
| 12:00 | 12:00 | 12:00 | 24:00 |

The cooking time shown (UPPER RIGHT) indicates automatic oven operation for a period of one hour and appears only when cooking by time as entered in the initial operational mode setup.



TO CHANGE THE STARTING TIME, PRESS AND HOLD THE TIME KEY AND TURN THE ADJUSTMENT KNOB.



Rotate the adjustment knob to select the starting time desired. As the starting time is changed, the countdown for oven start (LEFT) and the ending time will automatically adjust accordingly.

RELEASE THE TIME KEY AFTER THE REQUIRED STARTING TIME HAS BEEN SELECTED.

The oven preselect start time display will immediately begin a countdown and will automatically start the oven when zero is reached.

**THIS FUNCTION CAN BE CANCELLED AT ANY TIME BY PRESSING THE START/STOP KEY**

## COMBITHERM PROGRAMMING SYMBOLS



RECORD



COPY PROCEDURE



INSERT STEP



SAVE



DELETE PROCEDURE



APPEND STEP



NEW PROCEDURE



EDIT PROCEDURE



DELETE STEP



### RECORDING A COOKING PROCEDURE

Recording a cooking procedure provides the operator with the ability to test and verify all set operating parameters for the selected cooking modes and to make any necessary adjustments before saving and storing the procedure into memory.



PRESS THE PROGRAM INSTALL AND EDIT KEY.



Press the up  $\triangle$  and down  $\nabla$  arrow keys or rotate the adjustment knob until the record symbol  is highlighted in the display.



PRESS THE PROGRAM INSTALL KEY TO CONFIRM THE SELECTION.

The display will indicate **“Recorder ON”** and the record symbol  will appear in the display.



SELECT AND PRESS THE **FIRST** REQUIRED COOKING MODE.

Set all cooking mode parameters for temperature, time, or internal product temperature plus auxiliary functions, and advanced features for the first step to be recorded.



PRESS THE START KEY TO BEGIN THE FIRST RECORDED STEP.

When the cooking time has expired or the operator set internal temperature has been reached, a buzzer will sound indicating the end of the operating mode.

- To stop the buzzer, press the start/stop key  or open the oven door.




SELECT AND PRESS THE **SECOND** REQUIRED COOKING MODE.

Set all cooking mode parameters for temperature, time, or internal product temperature plus auxiliary functions, and advanced features for the second step to be recorded.



PRESS THE START KEY TO BEGIN THE SECOND RECORDED STEP.

Continue to record cooking modes as indicated for up to 20 steps.

All cooking mode steps entered with **“Recorder ON”** will remain in memory, in the order entered, until the recorder is turned off. Recorded procedures will not be lost or affected by pressing the stop/start key .




### TO CANCEL THE RECORDING FUNCTION



WITH THE “Recorder ON” FUNCTION ACTIVATED, PRESS THE PROGRAM INSTALL AND EDIT KEY.



Press the up  $\Delta$  and down  $\nabla$  arrow keys or rotate the adjustment knob until the record symbol  is highlighted in the display.

PRESS THE PROGRAM INSTALL KEY TO CONFIRM THE SELECTION.

“Recorder OFF” will appear in the display and the oven can be operated normally.



### SAVING A RECORDED COOKING PROCEDURE


When the previous cooking mode steps recorded produce satisfactory results, the recorded cooking procedure can be saved in memory for future use.



PRESS THE PROGRAM INSTALL/EDIT KEY.



Press the up  $\Delta$  and down  $\nabla$  arrow keys or rotate the

adjustment knob until the save symbol  is highlighted in the display.



PRESS THE PROGRAM INSTALL/EDIT KEY TO CONFIRM THE SELECTION.



**Name the procedure.** Rotate the adjustment knob to select the first letter of the procedure name. Press the up  $\Delta$  and down  $\nabla$  arrow key to select second letter position and rotate the adjustment knob to select the second letter. Continue this procedure for each subsequent alpha character, number, or symbol required.





PRESS THE PROGRAM INSTALL AND EDIT KEY TO CONFIRM THE PROCEDURE NAME.

The display will indicate the first unoccupied memory location within the programmed menu. If an alternate location is desired, rotate the adjustment knob to highlight another unoccupied, numbered memory location within the programmed menu. If an *occupied* location is selected, the existing procedure will be replaced by the new procedure.



PRESS THE PROGRAM INSTALL/EDIT KEY TO CONFIRM THE PROCEDURE LOCATION.

The display will indicate “please wait” and will return to the main menu display. The procedure has now been saved in the selected location and can be verified by rotating the adjustment knob to the saved procedure.

**To review the set operating parameters of any programmed procedure, press the programmed menu  key and rotate the adjustment knob until the procedure to be reviewed is highlighted in the display. Press the chef function  key. The cooking mode key for the first step will illuminate and the program mode, temperature, time, or core temperature will appear in the display. Rotate the adjustment knob to review each step.**

# Deluxe PROGRAM FUNCTION

Зип Общепит



## CREATING A NEW COOKING PROCEDURE

Cooking procedures for items prepared on a regular basis can be stored in memory.

PRESS THE PROGRAM INSTALL/EDIT KEY.

Press the up  $\Delta$  and down  $\nabla$  arrow keys or rotate the adjustment knob until the new procedure symbol is highlighted in the display.

PRESS THE PROGRAM INSTALL/EDIT KEY TO CONFIRM THE SELECTION.

All cooking mode keys will begin to flash and 01/01 will appear at the top of the display indicating the first cooking step.

SELECT AND PRESS THE FIRST REQUIRED COOKING MODE.

Set cooking mode functions for temperature and time, or internal core temperature. Add any auxiliary functions along with the moisture venting feature. Follow the basic operating instructions located in this booklet. Auxiliary functions can be added by pressing the chef function key after entering the operating mode parameters for each individual step and pressing the up  $\Delta$  and down  $\nabla$  arrow keys or rotating the adjustment knob to select the auxiliary function required. Press the chef function key to confirm the auxiliary function setting(s) for each step.

PRESS THE PROGRAM INSTALL/EDIT KEY TO CONFIRM THE FIRST STEP.

SELECT AND PRESS THE SECOND REQUIRED COOKING MODE.

The display will indicate 02/02 indicating the second cooking mode step. Set all cooking mode functions as indicated above.

PRESS THE PROGRAM INSTALL/EDIT KEY TO CONFIRM THE SECOND STEP.

**CONTINUE WITH THE ABOVE INSTRUCTIONS UNTIL ALL MODE STEPS AND FUNCTIONS ARE ENTERED.  
UP TO 20 COOKING MODE STEPS CAN BE SAVED IN A SINGLE PROCEDURE.**

**AFTER ALL FUNCTIONS ARE ENTERED,  
PRESS THE PROGRAM INSTALL/EDIT KEY TO CONFIRM THE NEW PROCEDURE.**

**Name the procedure.** Rotate the adjustment knob to select the first letter of the procedure name. Press the up  $\Delta$  and down  $\nabla$  arrow key to select second letter position and rotate the adjustment knob to select the second letter. Continue for each subsequent alpha character, number, or symbol required.



PRESS THE PROGRAM INSTALL AND EDIT KEY TO CONFIRM THE PROCEDURE NAME.

Rotate the adjustment knob to highlight an unoccupied, numbered memory location within the programmed menu. If an occupied location is selected, the existing procedure will be replaced by the new procedure.

PRESS THE PROGRAM INSTALL AND EDIT KEY TO CONFIRM THE PROGRAM INSTALLATION.  
The display will indicate “please wait” and will return to the main menu display.

# Deluxe PROGRAM FUNCTION

Зип ОБЩЕПИТ



## START A PROGRAMMED PROCEDURE



PRESS THE PROGRAMMED MENU KEY.



All stored procedures are listed alphabetically or numerically as selected by the operator in the initial oven start up procedures under the program index category.



Rotate the adjustment knob until the required procedure is highlighted in the display.



PRESS THE START KEY.

**To review the set parameters of any programmed procedure, press the programmed menu  key and rotate the adjustment knob until the procedure to be reviewed is highlighted in the display. Press the chef function  key. The cooking mode, temperature, time, or core temperature will appear in the display.**



## COPY A PROGRAMMED PROCEDURE



PRESS THE PROGRAMMED MENU KEY.

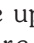


Rotate the adjustment knob until the procedure to be copied is highlighted in the display.



PRESS THE PROGRAM INSTALL AND EDIT KEY.



Press the up  and down  arrow keys or rotate the adjustment knob until the procedure symbol is highlighted in the display.



PRESS THE PROGRAM INSTALL AND EDIT KEY.

The display will select an empty, numbered location to insert the duplicate copy.



PRESS THE PROGRAM INSTALL AND EDIT KEY TO CONFIRM THE DUPLICATION.

The display will indicate “please wait” and will return to the main menu display.

An exact duplicate of the selected procedure has been inserted in the new location under the same name as the original procedure. The duplicate can be renamed and edited as required. *See additional editing instructions.*



## DELETE A PROGRAMMED PROCEDURE


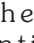



PRESS THE PROGRAMMED MENU KEY.

Rotate the adjustment knob to highlight the procedure to be deleted.



PRESS THE PROGRAM INSTALL/EDIT KEY.

Press the up  and down  arrow keys or rotate the adjustment knob until the delete  symbol is highlighted in the display.



PRESS THE PROGRAM INSTALL AND EDIT KEY TO CONFIRM THE SELECTION.

The programmed procedure has been deleted from the menu.

# Deluxe PROGRAM FUNCTION

## PROGRAM EDITING



### EDIT A PROGRAMMED PROCEDURE



PRESS THE PROGRAMMED MENU KEY.

Rotate the adjustment knob until the procedure to be edited is highlighted in the display.



PRESS THE PROGRAM INSTALL AND EDIT KEY.

Press the up  $\triangle$  and down  $\nabla$  arrow keys or rotate the adjustment knob until the edit symbol is highlighted in the display.




PRESS THE PROGRAM INSTALL AND EDIT KEY TO CONFIRM THE SELECTION.


The display will indicate the procedure name, cooking step number (EXAMPLE: "01/05" = STEP ONE OF FIVE), and operating parameters for temperature, time, or internal product temperature.

To change the operating parameters for the first step:

Press the cooking temperature  key and rotate the adjustment knob.

Press the time  key and rotate the adjustment knob to change the cooking time.

Press the core temperature  key and rotate the adjustment knob to change the core temp.

Auxiliary functions can be added by pressing the chef function  key after entering the operating mode parameters for each individual step and pressing the up  $\triangle$  and down  $\nabla$  arrow keys or rotate the adjustment knob to select the auxiliary function required. Press the chef function key to confirm the auxiliary function setting.

Press the down arrow key for each subsequent step of the procedure and make changes to each step as required.



PRESS THE PROGRAM INSTALL AND EDIT KEY TO CONFIRM THE SETTING.

The display will indicate the same name as the original procedure, minus the last letter. Install the last letter by rotating the adjustment knob to the correct letter.

Rename the procedure by pressing the down arrow key to clear the display.



Press the up  $\triangle$  and down  $\nabla$  arrow key to select each individual alpha character, number, or symbol. Rotate the adjustment knob to select each subsequent letter.



PRESS THE PROGRAM INSTALL AND EDIT KEY TO CONFIRM THE NAME.



PRESS THE PROGRAM INSTALL AND EDIT KEY TO INSTALL THE PROGRAM.





**To review the set operating parameters of any programmed procedure, press the programmed menu  key and rotate the adjustment knob until the procedure to be reviewed is highlighted in the display. Press the chef function  key. The cooking mode key for the first step will illuminate and the program mode, temperature, time, or core temperature will appear in the display. Rotate the adjustment knob to review each step.**





# Deluxe PROGRAM FUNCTION


## PROGRAM EDITING

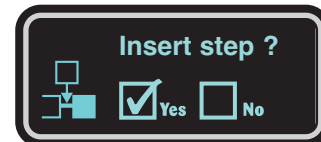
### INSERT A PROGRAMMED PROCEDURE STEP

-  PRESS THE PROGRAMMED MENU KEY.  
Rotate the adjustment knob until the procedure to add a new step is highlighted in the display.
-  PRESS THE PROGRAM INSTALL KEY.  
Press the up  $\Delta$  and down  $\nabla$  arrow keys or rotate the adjustment knob until the edit procedure  symbol is highlighted in the display.
-  PRESS THE PROGRAM INSTALL AND EDIT KEY TO CONFIRM THE SELECTION.  
The display will indicate the procedure name, cooking step number and operating parameters for temperature, time, or internal product temperature.


Press the up  $\Delta$  or down  $\nabla$  arrow keys to select the step *immediately following* the position wanted for the new step.


-  PRESS THE CHEF FUNCTION KEY.  
A choice of editing symbols and auxiliary functions will appear in the display. Press the up  $\Delta$  and down  $\nabla$  arrow keys or rotate the adjustment knob to select the insert step  symbol.

-  PRESS THE CHEF FUNCTION KEY TO CONFIRM THE SELECTION.  
Press the up  $\Delta$  and down  $\nabla$  arrow keys or rotate the adjustment knob to select “YES” for step insertion.




-  PRESS THE CHEF FUNCTION KEY TO CONFIRM THE SELECTION.

All cooking modes will begin to flash. Select and press the cooking mode to be inserted. Press and set cooking temperature, time, or internal core temperature. Auxiliary functions can be added by pressing the chef function  key after entering the operating mode parameters for each individual step and pressing the up  $\Delta$  and down  $\nabla$  arrow keys or rotating the adjustment knob to select the auxiliary function required. Press the chef function key to confirm the auxiliary function setting. Add the moisture vent key function if required.

-  PRESS THE INSTALL/EDIT KEY TO CONFIRM THE SELECTED MODE AND FUNCTIONS.  
The display will indicate the procedure name minus the last letter. Reinsert the last letter with the adjustment knob or use the up  $\Delta$  and down  $\nabla$  arrow keys in conjunction with the adjustment knob to rename the procedure.

-  PRESS THE INSTALL/EDIT KEY TO CONFIRM THE NAME.














-  PRESS THE INSTALL/EDIT KEY TO INSERT THE NEW STEP INTO THE PROCEDURE.  
The display will indicate “please wait” and will return to the main menu display.

**TO VERIFY THE INSERTED STEP, PRESS THE CHEF FUNCTION KEY WHILE THE ALTERED PROCEDURE IS HIGHLIGHTED. ROTATE THE ADJUSTMENT KNOB TO REVIEW ALL SET PARAMETERS.**

# Deluxe PROGRAM FUNCTION

## PROGRAM EDITING

### APPEND A PROGRAMMED PROCEDURE STEP

-  PRESS THE PROGRAMMED MENU KEY.  
Rotate the adjustment knob until the procedure to include a final step is highlighted in the display.
-  PRESS THE PROGRAM INSTALL KEY.  
Press the up  $\Delta$  and down  $\nabla$  arrow keys or rotate the adjustment knob until the edit procedure  symbol is highlighted in the display.
-  PRESS THE PROGRAM INSTALL AND EDIT KEY TO CONFIRM THE SELECTION.  
The display will indicate the procedure name, cooking step number and operating parameters for temperature, time, or internal product temperature.  
Press the up  $\Delta$  or down  $\nabla$  arrow keys to select the last step of the procedure.
-  PRESS THE CHEF FUNCTION KEY.  
A choice of editing symbols and auxiliary functions will appear in the display. Press the up  $\Delta$  and down  $\nabla$  arrow keys or rotate the adjustment knob to select the append step  symbol.
-  PRESS THE CHEF FUNCTION KEY TO CONFIRM THE SELECTION.  
Press the up  $\Delta$  and down  $\nabla$  arrow keys or rotate the adjustment knob to select “YES” for append step.
-  PRESS THE CHEF FUNCTION KEY TO CONFIRM THE SELECTION.
- 
- All cooking modes will begin to flash. Select and press the cooking mode to be appended. Press and set cooking temperature, time, or internal core temperature. Auxiliary functions can be added by pressing the chef function  key after entering the operating mode parameters for each individual step and pressing the up  $\Delta$  and down  $\nabla$  arrow keys or rotating the adjustment knob to select the auxiliary function required. Press the chef function key to confirm the auxiliary function setting. Add the moisture vent key function if required.
-  PRESS THE INSTALL/EDIT KEY TO CONFIRM THE SELECTED MODE AND FUNCTIONS.  
The display will indicate the procedure name minus the last letter. Reinsert the last letter with the adjustment knob or use the up  $\Delta$  and down  $\nabla$  arrow keys in conjunction with the adjustment knob to rename the procedure.
-  PRESS THE INSTALL/EDIT KEY TO CONFIRM THE NAME.
-  PRESS THE INSTALL/EDIT KEY TO INSERT THE NEW STEP INTO THE PROCEDURE.  
The display will indicate “please wait” and will return to the main menu display.

**TO VERIFY THE INSERTED STEP, PRESS THE CHEF FUNCTION KEY WHILE THE ALTERED PROCEDURE IS HIGHLIGHTED. ROTATE THE ADJUSTMENT KNOB TO REVIEW ALL SET PARAMETERS.**

# Deluxe PROGRAM FUNCTION












## PROGRAM EDITING

Зип Общепит

vsezip.ru



### DELETE A PROGRAMMED STEP

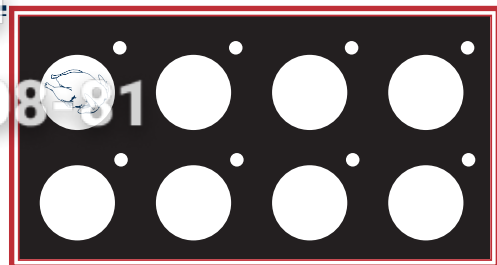
-  PRESS THE PROGRAMMED MENU KEY.  
Rotate the adjustment knob to highlight the procedure in which a step is to be deleted.
-  PRESS THE PROGRAM INSTALL KEY.  
Press the up  $\Delta$  and down  $\nabla$  arrow keys or rotate the adjustment knob until the edit procedure  symbol is highlighted in the display.
-  PRESS THE PROGRAM INSTALL AND EDIT KEY TO CONFIRM THE SELECTION.  
The display will indicate the procedure name, cooking step number and operating parameters for temperature, time, or internal product temperature.  
Press the up  $\Delta$  or down  $\nabla$  arrow keys to select the step to be deleted.
-  PRESS THE CHEF FUNCTION KEY.  
A choice of editing symbols and auxiliary functions will appear in the display. Press the up  $\Delta$  and down  $\nabla$  arrow keys or rotate the adjustment knob to select the delete step  symbol.
-  PRESS THE CHEF FUNCTION KEY TO CONFIRM THE SELECTION.  
Press the up  $\Delta$  and down  $\nabla$  arrow keys or rotate the adjustment knob to select "YES" for step deletion.
-  PRESS THE CHEF FUNCTION KEY TO CONFIRM THE SELECTION.
-  PRESS THE INSTALL/EDIT KEY TO CONFIRM THE DELETION.  
The display will indicate the name of the procedure as originally programmed.
-  PRESS THE INSTALL/EDIT KEY TO CONFIRM THE NAME.
-  PRESS THE INSTALL/EDIT KEY TO REMOVE THE DELETED STEP FROM THE PROGRAM.  
The display will indicate "please wait" and will return to the main menu display.



**TO VERIFY THE STEP HAS BEEN DELETED, PRESS THE CHEF FUNCTION KEY WHILE THE DELETE STEP PROCEDURE IS HIGHLIGHTED. ROTATE THE ADJUSTMENT KNOB TO REVIEW ALL SET PARAMETERS.**


## RAPID-TOUCH™ KEYS

Rapid-Touch programmed quick-keys provide the operator with the ability to assign procedures used on a regular basis to individual keys that can be identified with a picture graphic resembling the product. Various picture graphics are included with the Combitherm oven.



### TO ASSIGN A PROCEDURE TO A PROGRAM RAPID-TOUCH KEY

 PRESS THE PROGRAMMED MENU KEY.

 Rotate the adjustment knob to highlight the procedure to be assigned to Rapid-Touch operation.

 PRESS AND HOLD THE SELECTED RAPID TOUCH KEY FOR A PERIOD OF THREE SECONDS.

When the buzzer sounds, the programmed procedure has been assigned to the Rapid-Touch key selected.

Identify the Rapid-Touch key with a corresponding picture graphic.

### TO OPERATE A PROCEDURE ON RAPID-TOUCH KEY

 PRESS AN ASSIGNED RAPID TOUCH KEY.

The indicator light to the upper right of the selected Rapid-Touch key will illuminate. The oven will begin operating as programmed with the display indicating the name of the procedure, the step number, the total number of steps, and the temperature, time, or internal product temperature.



01/02 ROAST CHICKEN  
350°F 0:30

When the cooking time for all programmed modes has expired or the operator set internal temperature has been reached, a buzzer will sound indicating the completion of the program.

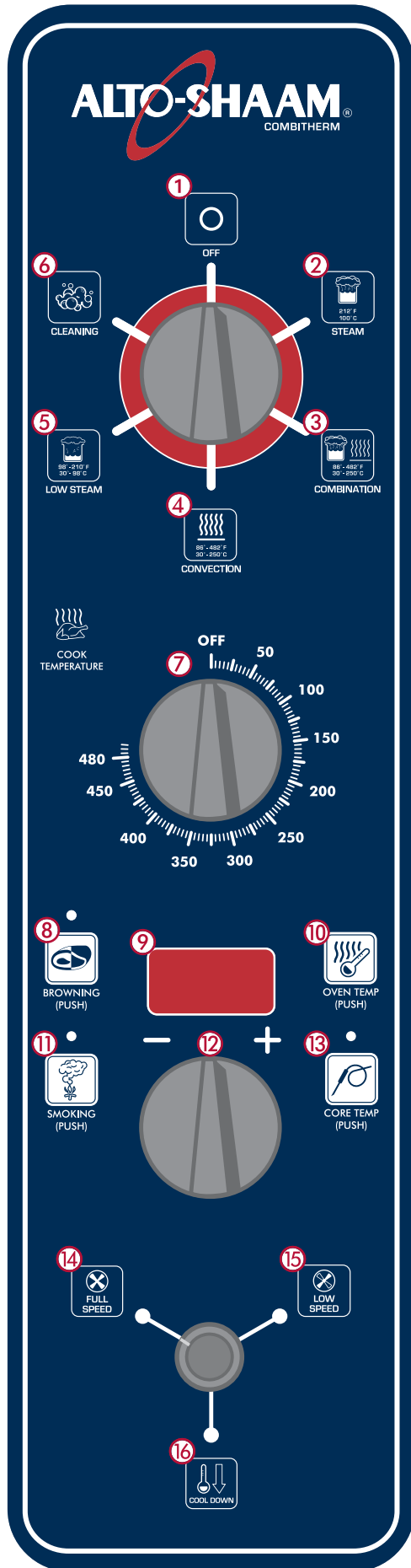
- To stop the buzzer, press the start/stop key  or open the oven door.

Once a Rapid-Touch key is programmed with a procedure, care should be taken not to press and hold the programmed key with another procedure highlighted in the display by means of the programmed menu key. The highlighted procedure will override the Rapid-Touch key program and the picture graphic will no longer match the procedure.

# S-CONTROL PANEL IDENTIFICATION

vsezip.ru

+7(812)987-08-81



## ① OFF POSITION

Maintains oven in a stand-by mode.

## ② STEAM

The oven will operate at a fixed steam temperature of 212° F (100°C).

## ③ COMBINATION

A combination of steam and convection heat to cook at a temperature between 86°F and 482°F (30°C to 250°C) to be set by the operator.

## ④ CONVECTION

Convection heat to cook without steam at a temperature between 86°F and 482°F (30°C and 250°C) to be set by the operator.

## ⑤ LOW STEAM

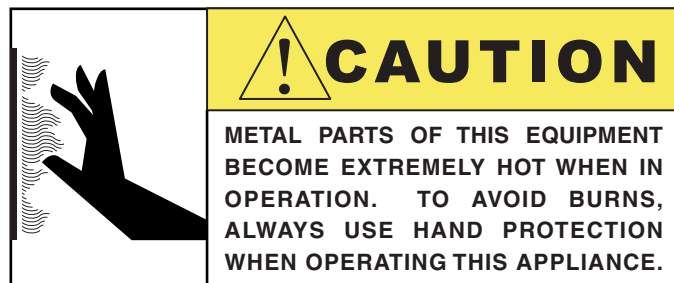
Low temperature steaming within an operator set temperature range of 98°F to 210°F (30°C and 98°C).

## ⑥ CLEANING FUNCTION

An automatic cleaning cycle to heat the oven to the correct temperature, followed by a manual application of Combitherm Oven Cleaner and a 10 minute steam cleaning cycle. An automatic boiler flush is initiated on boiler equipped models and a vinegar decalcification can also be conducted.

## ⑦ COOKING TEMPERATURE DIAL

To be manually set by the operator to the cooking temperature required.



# S-CONTROL PANEL IDENTIFICATION

vsezip.ru

+7(812)987-08-81

## ⑧ GOLD-N-BROWN™

The browning feature is an automatic function designed to regulate humidity for additional color to products as needed. This feature is particularly useful for adding color to high moisture products such as chicken and other poultry items or for additional browning of full loads and other moist products. In addition, this feature may be used to add texture to fried items such as French fries or breaded chicken. Gold-n-Brown can be used in both the combination mode and the convection mode and can be programmed into a cooking procedure.

## ⑨ OVEN DISPLAY

Indicates time remaining, interior oven temperature, or internal product temperature.

## ⑩ OVEN TEMPERATURE

To be pressed to display interior oven temperature.

## ⑪ SMOKING FEATURE (OPTION)

Provides the ability to smoke product, hot or cold, on all boiler-free electric models and on all gas models with the exception of the 10•20ESGAS, the 12•18ESGAS, and the 20•20ESGAS. The smoking function can be engaged in either the Combination mode or the Convection mode of operation. The smoking function cannot be operated when the oven is operating in either steam mode or low temperature steam mode.

## ⑫ COOKING TIMER

- ⊖ Turned to the left for continuous cooking time or to decrease time in increments of one minute.
- ⊕ Turn to the right to set and increase time in increments of one minute

## ⑬ CORE TEMPERATURE PROBE (OPTION)

Used to set the required internal product temperature.

## ⑭ FULL SPEED FAN POSITION

## ⑮ HALF SPEED FAN POSITION

## ⑯ OVEN COOL-DOWN POSITION

Assists in cooling the oven at an accelerated pace when changing from high to lower temperature cooking. **The oven door should be open when using this feature.**

# S-CONTROL OPERATION

ЗИП ОБЩЕПИТ


YSEZIP.RU

77(812)987-08-81



The simplified, S-Control Combitherm oven includes all of the basic operating functions of the standard, ES-Series, Combitherm oven models. Oven operation is initiated with the use of rotary dials. Additional functions are initiated by pressing the represented function symbol.

All of the cooking procedures shown in this guide can be adapted for use with S-Control models by manually setting the suggested cooking mode, time, and temperature indicated.

## PREHEATING

1. Rotate the **Cooking Mode** dial to the convection mode. 
2. Rotate the **Cooking Temperature** dial to the preheating temperature required.
3. Rotate the **Cooking Timer** dial to the preheating time desired.
  - ⊖ Turn to the left for continuous time or to decrease time in increments of one minute.
  - ⊕ Turn to the right to set and increase time in increments of one minute.
4. When preheated, the oven can be operated in any cooking mode required.

## CORE TEMPERATURE (OPTION)

1. Rotate the **Cooking Mode** dial to the required cooking mode. 
2. Rotate the **Cooking Temperature** dial to the cooking temperature required.
3. Press the **Core Temperature** symbol.  The letters "Cor" will appear in the display.

Cor

4. When "Cor" appears in the display, the timer dial will convert to internal product temperature. Rotate the **Cooking Timer** dial to the internal product temperature desired.
  - ⊖ Turn to the left to decrease temperature in increments of one degree.
  - ⊕ Turn to the right to increase temperature in increments of one degree.
5. In 3-seconds, oven will begin the cook and the display will indicate the internal product temperature reading of the probe.
6. One minute after the product reaches the set internal product temperature, a buzzer will sound indicating the end of the operating mode.

**TO STOP THE BUZZER, OPEN THE OVEN DOOR OR TURN THE COOKING MODE DIAL TO THE OFF POSITION.**



### CHEF OPERATING TIPS

The Core Temperature should not be used for cooking thin products.



## GOLD-N-BROWN™

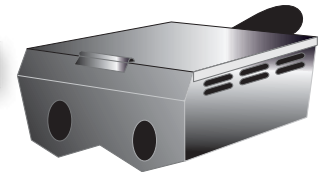


Press the GOLD-N-BROWN browning symbol at the start of any cooking cycle in the combination mode or convection mode to automatically add additional product color.

## SMOKING (OPTION)

### LOAD WOOD CHIPS.

- Measure one container full of dry wood chips.
- Soak dry chips in water for 5 minutes.
- Shake excess water off wood chips.
- Place moistened chips back into the container and position the container securely on the two prongs located on the interior back panel of the oven.



| AVAILABLE FROM ALTO-SHAAM |                     |          |
|---------------------------|---------------------|----------|
| WOOD CHIPS                | 20 POUND BULK PACKS |          |
|                           | APPLE               | WC-22543 |
|                           | HICKORY             | WC-2829  |
|                           | CHERRY              | WC-22541 |
|                           | SUGAR MAPLE         | WC-22545 |

THE TOTAL WEIGHT OF WOOD CHIP BULK PACKS MAY VARY DUE TO HIGH MOISTURE CONTENT WHEN PACKAGED.

SMOKING feature may be started at the beginning of any cooking cycle in the Combination mode or Convection mode.

Push the Smoker icon key.



A full container of wood chips will produce smoke for an approximate period of one to two hours depending on the cooking temperature being used for the selected product. The tested procedures in this manual for many of the products that are appropriate for smoking provide complete product smoke penetration and full smoke flavor.

When the cooking cycle is completed, a buzzer will sound indicating the end of the preheat function.

**TO STOP THE BUZZER, OPEN THE OVEN DOOR OR TURN THE COOKING MODE DIAL TO THE OFF POSITION.**



### CHEF OPERATING TIP

**Products such as ribs that require heavier smoke penetration to reach full smoke flavor should remain in the oven after cooking has been completed. Do not open the oven door. Set the oven in the Low Temperature Steam Mode at 140° to 160°F (60° to 71°C) and allow the product to remain in the oven for a period of one hour.**

**NOTE: Always keep the OVEN DOOR CLOSED whenever operating the smoking function.**

The Combitherm Smoker can be operated without using the smoking function. After using the oven as a smoker, however, it is necessary to clean the oven in order to prevent a transfer of smoke flavor to non-smoked products. Cleaning instructions are provided in this manual.

**WARNING**

**HOT STEAM CAUSES BURNS**

**ROTATE THE DOOR HANDLE TO THE FIRST OPEN ROTATION POSITION ONLY. STAND BACK AND WAIT UNTIL THE STEAM IS VENTED BEFORE FULLY OPENING THE DOOR.**



**PREVENTIVE MAINTENANCE**

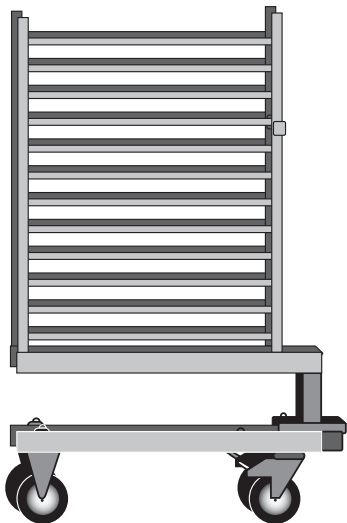
|  |    |
|--|----|
| Routine Cleaning .....                 | 50 |
| General Flush .....                    | 57 |
| Decalcification .....                  | 58 |
| Standard and Deluxe Control.....       | 58 |
| S-Control.....                         | 60 |
| Return to Main Table of Contents ..... | 3  |

## Preventive Maintenance

In addition to the routine cleaning and maintenance procedures, there are several additional steps to be taken for both sanitation purposes and to keep the oven running at top operating efficiency. These additional safeguards will help prevent inconvenient down time and costly repairs.

- **DO NOT DISPOSE OF GREASE, FAT, OR SOLID WASTE DOWN THE OVEN DRAIN.** Fats and solids will eventually coagulate in the drain system, causing blockage. Consequently, water will back-up into the condenser and interior oven compartment, resulting in an oven that is inoperable.
- **MAKE CERTAIN THE DRAIN SCREEN IS ALWAYS IN PLACE. REMOVE ANY SOLID WASTE MATERIAL FROM THE DRAIN SCREEN BEFORE IT ENTERS THE DRAIN SYSTEM.** The routine removal of solids from the drain screen will help prevent blockage.
- **USE THE AUTHORIZED COMBITHERM OVEN CLEANER ONLY.** The use of unauthorized cleaning agents may discolor or harm the interior surfaces of the oven.
- **TO PROLONG THE LIFE OF THE DOOR GASKET, REMOVE AND CLEAN THIS ITEM DAILY.** The acids and related compounds found in fat, particularly chicken fat, will weaken the composition of the gasket unless cleaned on a daily basis.
- **TO ADDITIONALLY PROTECT GASKET LIFE, ALLOW OVEN DOOR TO REMAIN SLIGHTLY OPEN AT THE END OF THE PRODUCTION DAY.** An open door will relieve the pressure on the door gasket.
- **ROUTINELY CLEAN DOOR HINGES.** Open oven door to relieve tension. Clean all parts of the hinge.

### ROLL-IN CART/FOOD TROLLEY CLEANING (ON EQUIPPED MODELS)



1. Remove food trolley to a cart wash area. Trolleys may be cleaned using any mild cleaning detergent and warm water.
2. Hand wipe all framing, slides, drip pan, and base. Thoroughly clean debris from the casters. A spray hose can be used for easier cart cleaning.
3. Remove detergent solution with warm water.
4. Wipe or spray with a sanitizing solution designed for use on metal and vinyl food contact surfaces.
5. Allow trolley to air dry.

As an alternative, trolleys can be sprayed with Combitherm liquid oven cleaner while inside the oven. Allow the trolley to remain in the oven through the normal cleaning cycle, followed by steps 2 through 5 above.

## PROTECTING STAINLESS STEEL SURFACES



It is important to guard against corrosion in the care of stainless steel surfaces. Harsh, corrosive, or inappropriate chemicals can completely destroy the protective surface layer of stainless steel. Abrasive pads, steel wool, or metal implements will abrade surfaces causing damage to this protective coating and will eventually result in areas of corrosion. Even water, particularly hard water that contains high to moderate concentrations of chloride, will cause oxidation and pitting that result in rust and corrosion. In addition, many acidic foods spilled and left to remain on metal surfaces are contributing factors that will corrode surfaces. Proper cleaning agents, materials, and methods are vital to maintaining the appearance and life of this appliance. Spilled foods should be removed and the area wiped as soon as possible but at the very least, a minimum of once a day. Always thoroughly rinse surfaces after using a cleaning agent and wipe standing water as quickly as possible after rinsing.

## CLEANING AGENTS

### **USE AUTHORIZED COMBITHERM LIQUID OVEN CLEANER ONLY**

Cleaning agents must be chloride-free compounds and must not contain quaternary salts. Never use hydrochloric acid (muriatic acid) on stainless steel surfaces. Unauthorized cleaning agents may discolor or harm interior surfaces of the oven. Read and understand label and material safety data sheet before using the oven cleaner.

## CLEANING MATERIALS

The cleaning function can usually be accomplished with the proper cleaning agent and a soft, clean cloth. When more aggressive methods must be employed, use a non-abrasive scouring pad on difficult areas and make certain to scrub with the visible grain of surface metal to avoid surface scratches. Never use wire brushes, metal scouring pads, or scrapers to remove food residue.



|  |   |
|--|---|
|  | <b>CAUTION</b>  |
|  | <b>TO PROTECT STAINLESS STEEL SURFACES, COMPLETELY AVOID THE USE OF ABRASIVE CLEANING COMPOUNDS, CHLORIDE BASED CLEANERS, OR CLEANERS CONTAINING QUATERNARY SALTS. NEVER USE HYDROCHLORIC ACID (MURIATIC ACID) ON STAINLESS STEEL. NEVER USE WIRE BRUSHES, METAL SCOURING PADS OR SCRAPERS.</b> |

# PREVENTIVE MAINTENANCE

Establishing a routine cleaning and maintenance schedule will help keep the Combitherm oven running at top operating efficiency and is an absolutely essential part of a comprehensive sanitation program. Good equipment maintained and kept clean works better and lasts longer. **PROTECT YOUR INVESTMENT.**

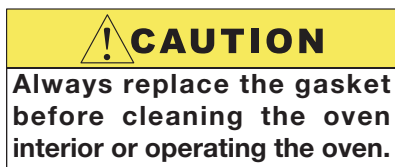
## DAILY GASKET CLEANING

It is important to prolong the life of the oven gasket by cleaning this item on a daily basis. Routine cleaning will help protect the composition of the gasket from deterioration caused by acidic foods.



After allowing the oven to cool, remove pull-out gasket and wash in hot, soapy water.

**DO NOT** place gasket in the dishwasher.



## PROBE USAGE AND CLEANING

After each use of the CORE TEMP mode, wipe the probe tip with a clean paper towel to remove food debris. Follow by wiping the probe with a disposable alcohol pad. Return the probe to the proper door bracket position.

### PROBE CLEANING PROCEDURES

1. Remove all food soil from probe between loads and at the end of each production shift. Wipe the entire probe, probe cable assembly, and probe holding bracket with warm detergent solution and a clean cloth.
2. Remove detergent by wiping the probe, cable, and bracket with clean rinse water and a cloth.
3. Wipe probe and probe bracket with disposable alcohol pad or sanitizing solution recommended for food contact surfaces.
4. Allow probe and cable to air dry in the probe holding bracket.
5. Wipe the probe with a disposable alcohol pad prior to inserting in a new food product.

## DAILY OVEN CLEANING

To be performed at the end of the production day or between production shifts.

## DAILY STEAM GENERATOR FLUSH

*(ELECTRIC BOILER EQUIPPED MODELS ONLY)*

When operating the oven on a regular basis, the steam generator must be flushed once a day. This procedure will prevent lime deposits and scale build-up from forming in the steam generator. A steam generator flush is automatically initiated during the cleaning function on S-Control models.

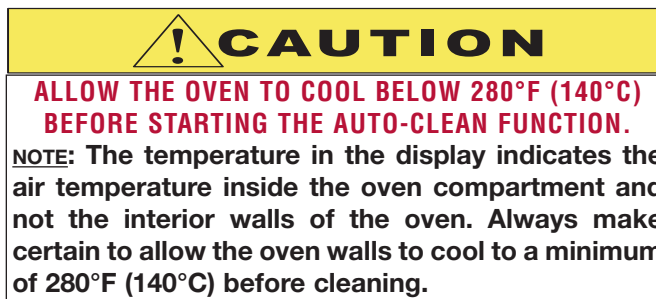
## REGULAR DECALCIFICATION

*(ELECTRIC BOILER EQUIPPED MODELS ONLY)*

It is VERY important to decalcify the steam generator, particularly in areas with extremely hard water. In addition to the daily steam generator flush, this procedure should be performed once a month or more frequently depending on usage and water conditions.

## MONTHLY CLEANING

- Water Intake Filter
- Drain Pipe
- Spray Head



## NOTE

**USE AUTHORIZED COMBITHERM LIQUID OVEN CLEANER ONLY.**

Unauthorized cleaning agents may discolor or harm interior surfaces of the oven. Read and understand label and material safety data sheet before using the oven cleaner.



## DANGER

**RUBBER GLOVES AND PROTECTIVE EYE WEAR MUST BE WORN WHEN USING THE OVEN CLEANER.**

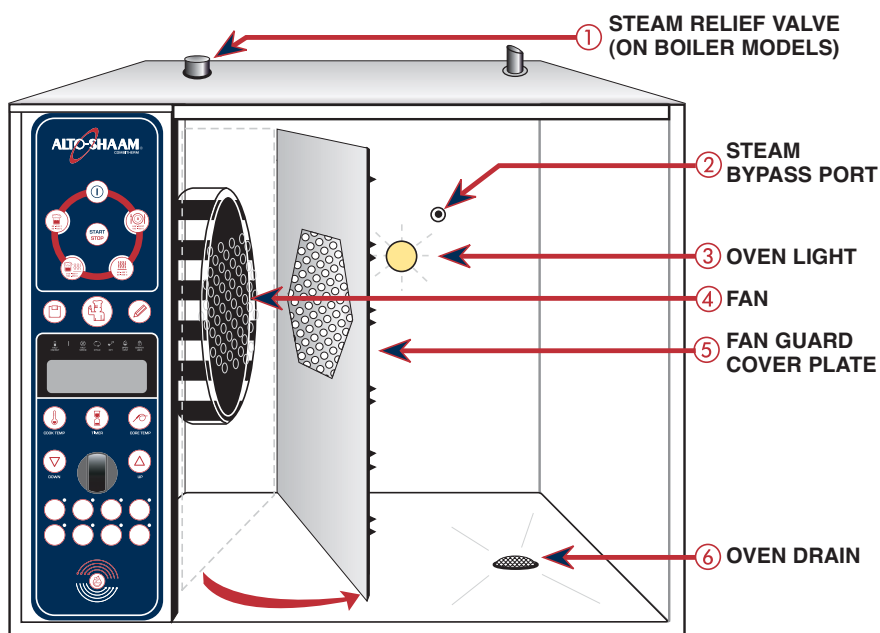
Causes severe burns. Do not get in eyes, on skin, or on clothing. Do not wear contacts. Harmful or fatal if swallowed. Do not breathe mist. Use in well ventilated area. Keep out of reach of children. Do not use on aluminum. Do not mix with anything but water.

**THOROUGHLY RINSE EMPTY CONTAINER WITH WATER AND SAFELY DISCARD.**



## WARNING

**WATER SUPPLY MUST BE OPEN WHEN CLEANING PROGRAM IS ACTIVATED. VERIFY WATER SUPPLY BEFORE STARTING CLEANING PROGRAM.**




# PREVENTIVE MAINTENANCE

## AUTO CLEAN™ AUTOMATIC CLEANING PROGRAM


Remove all food scraps and residue from the oven drain. Remove shelves, side racks and pans and wash separately.

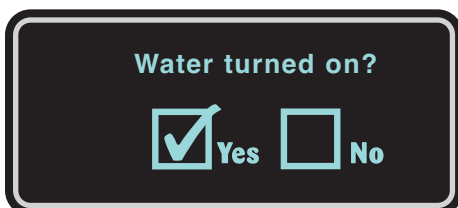
With the oven power  on




 PRESS THE CHEF FUNCTION KEY.

 Rotate the adjustment knob until the AutoClean symbol is highlighted in the display.

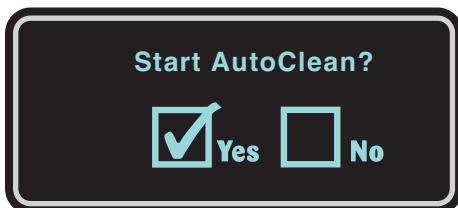
 PRESS THE CHEF FUNCTION KEY.




 THE CONTROL WILL ASK FOR VERIFICATION OF THE FOLLOWING ITEMS BEFORE THE FUNCTION CAN BE STARTED:



 Verify water is supplied to the oven and press the up  and down  arrow keys or rotate the adjustment knob to select "YES".

 PRESS THE CHEF FUNCTION KEY.

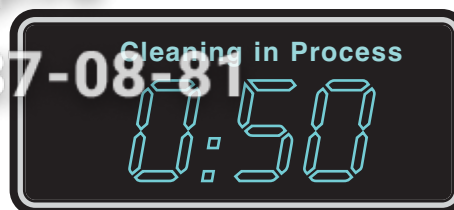


 Press the up  and down  arrow keys or rotate the adjustment knob to select "YES" for the automatic cleaning function.

 PRESS THE CHEF FUNCTION KEY TO CONFIRM THE SETTING AND START THE CLEANING PROGRAM.

**THE OVEN WILL BEGIN A 50 MINUTE CLEANING AND RINSE CYCLE.**

**DISPLAY WILL COUNT DOWN INDICATING TIME REMAINING IN THE CLEANING CYCLE.**



After 10 minutes, a buzzer will sound and Display will show "Open Door/Spray Cleaner".



Wearing safety glasses and rubber gloves, open door, remove the drain screen and spray Combitherm liquid oven cleaner directly into the drain pipe.

Generously spray the interior oven surfaces with an even coat of Combitherm Liquid Oven Cleaner. Spray all built-in components.

Insert the Combitherm liquid oven cleaner spray nozzle directly into the Steam Bypass Port and spray several times.

**ON A WEEKLY BASIS** - Loosen the thumb screw(s) and swing Fan Guard Cover Plate toward the back of the oven. Spray the back of the Fan Guard Cover Plate, the oven fan, and the left-hand side of the oven.

When oven door is closed again cleaning cycle will resume for the remaining 40 minutes.



At the end of the cleaning cycle, the oven will beep and the display will indicate the end of the cycle.

Press the start / stop key to stop the buzzer and return the oven to normal operation.

**LEAVE DOOR SLIGHTLY OPEN AFTER CLEANING**

## **AUTO CLEAN™ AUTOMATIC CLEANING PROGRAM (CONTINUED)**

### **FORCED RINSING MODE:**

If the cleaning cycle is stopped during cleaning, the unit will immediately go into a Forced Rinsing mode for 5 minutes.

If power is lost or the unit is turned off during cleaning, the unit will go into a Forced Rinsing mode when power is restored, or unit is turned back on.



Once the Forced Rinsing is complete "Cleaning Interrupted" will appear on the display.



Press the start/stop key to return the oven to normal operation.

---

### **NOTE:**

---

**IF THE DOOR IS OPENED DURING THE CLEANING PROCESS, "CLOSE THE DOOR!" WILL APPEAR IN THE DISPLAY.**

---

**LEAVE DOOR SLIGHTLY OPEN AFTER CLEANING**

# PREVENTIVE MAINTENANCE

## AUTO CLEAN™ AUTOMATIC CLEANING PROGRAM

## S-CONTROL OPTION

Remove all food scraps and residue from the oven drain. Remove shelves, side racks and pans and wash separately.

Insert the Combitherm liquid oven cleaner spray nozzle directly into the Steam Bypass Port and spray several times.

**With the oven power ON.**



CLEANING

Rotate the **Cooking Mode** dial to the **Cleaning** mode.

“CLN” will appear in the display.



After 1 minute “50” will appear in the display indicating a 50 minute cleaning cycle.



**THE OVEN WILL BEGIN A 50 MINUTE CLEANING AND RINSE CYCLE.**

**DISPLAY WILL COUNT DOWN INDICATING TIME REMAINING IN THE CLEANING CYCLE.**

After 10 minutes, a buzzer will sound and display will show “DOR”.



Wearing safety glasses and rubber gloves, open door, remove the drain screen and spray Combitherm liquid oven cleaner directly into the drain pipe.

Generously spray the interior oven surfaces with an even coat of Combitherm Liquid Oven Cleaner. Spray all built-in components.

**ON A WEEKLY BASIS** - Loosen the thumb screw(s) and swing Fan Guard Cover Plate toward the back of the oven. Spray the back of the Fan Guard Cover Plate, the oven fan, and the left-hand side of the oven.

When oven door is closed again cleaning cycle will resume for the remaining 40 minutes.



At the end of the cleaning cycle “FIN” will appear in the display. Turn the **Cooking Mode** dial to the **OFF** position.

### FORCED RINSING MODE:

If the cleaning cycle is stopped after 10 minutes in the cleaning cycle, the unit will immediately go into a Forced Rinsing mode and display “RIN” for 5 minutes.

If power is lost or the unit is turned off during cleaning, the unit will go into a Forced Rinsing mode when power is restored, or unit is turned back on.



After a period of 5 minutes “FIN” will appear in the display.



**LEAVE DOOR SLIGHTLY OPEN AFTER CLEANING**



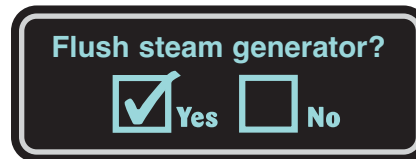
STANDARD CONTROL  
DELUXE CONTROL

## AUTOMATIC STEAM GENERATOR FLUSH AT THE START OF THE WORK DAY

Flushing the electric Combitherm steam generator on a daily basis helps to prolong the life of the steam generator heating elements and helps prevent the necessity of service requirements. The control provides this feature as an automatic function when the oven ON/OFF power key is pressed to the ON position at the start of each working day.

 **PRESS THE ON/OFF POWER KEY TO THE ON POSITION.**

DISPLAY MESSAGE INDICATES:



### YES

START  
STOP

**PRESS THE START KEY OR  CHEF FUNCTION KEY** to begin the steam generator flush.

The steam generator is automatically drained, flushed, and refilled with water within 5 minutes or less. Following this time period, the Combitherm is ready for operation.

### NO

TO CANCEL THE STEAM GENERATOR FLUSH, ROTATE THE ADJUSTMENT KNOB ONE TURN TO THE RIGHT UNTIL THE DISPLAY INDICATES "NO".

START  
STOP

**PRESS THE START/STOP KEY OR  CHEF FUNCTION KEY** to confirm cancellation.

If steam generator flush cancellation is not initiated within 10 seconds of the appearance of the display message, the flushing function will automatically start. Following cancellation, the Combitherm is ready for operation. The flushing process **must** be initiated manually at a later time during the working day if not conducted at startup.

## MANUAL STEAM GENERATOR FLUSH

PERFORM DAILY WHEN THE STEAM GENERATOR FLUSH IS NOT PERFORMED AT THE START OF THE WORKING DAY.  
**WITH THE OVEN AT ROOM TEMPERATURE**

1. Press the Power Switch to the OFF position. Rotate the Steam Generator Drain Cap located at the back of the oven until water begins to flow from the four holes in the cap. In approximately 20 to 60 seconds, a sufficient quantity of water will have drained from the steam generator so that the drain cap can be completely removed.
2. As the water continues to flow from the generator, it will have a milky or cloudy appearance, which indicates deposits in the generator are beginning to flush through the system. Let the water continue to drain until the flow begins to subside.
3. When the flow begins to subside, remove the hand-held hose from the side of the oven and direct a stream of fresh water directly into the steam generator drain opening located directly behind the Steam Generator Drain Cap. Repeat this procedure several times until the water begins to run clear.
4. Press the oven Power Switch to the ON position. When the audible signal is heard, press the Steam Mode Key. A new supply of fresh, cold water will begin to flow through the steam generator. Repeat this procedure several times until the water runs completely clear.
5. Once the water is completely clear, replace the Steam Generator Drain Cap over the steam generator drain by turning it clockwise, by hand, until there is a slight resistance.

**DO NOT OVER-TIGHTEN STEAM GENERATOR DRAIN CAP.**

# PREVENTIVE MAINTENANCE

STANDARD CONTROL  
DELUXE CONTROL

## DECALCIFICATION ON BOILER EQUIPPED MODELS using ScaleFree™ or Distilled White Vinegar

STANDARD CONTROL  
DELUXE CONTROL

**ScaleFree™** Descaling Compound is an acid-based descaler combined with a proprietary chelating agent that is effective in dissolving and removing carbonate, lime-scale and iron scale build-up caused by hard water. ScaleFree efficiently and effectively removes lime-scale build-up from combi ovens.

**ScaleFree™** is a non-hazardous, Biodegradable Citrus Based Powder that when mixed with water becomes a powerful lime-scale remover.

It is **VERY** important to decalcify the oven, particularly in areas with extremely hard water.

**PERFORM ONCE A MONTH in addition to the daily steam generator flush.**

**WITH THE OVEN AT ROOM TEMPERATURE**

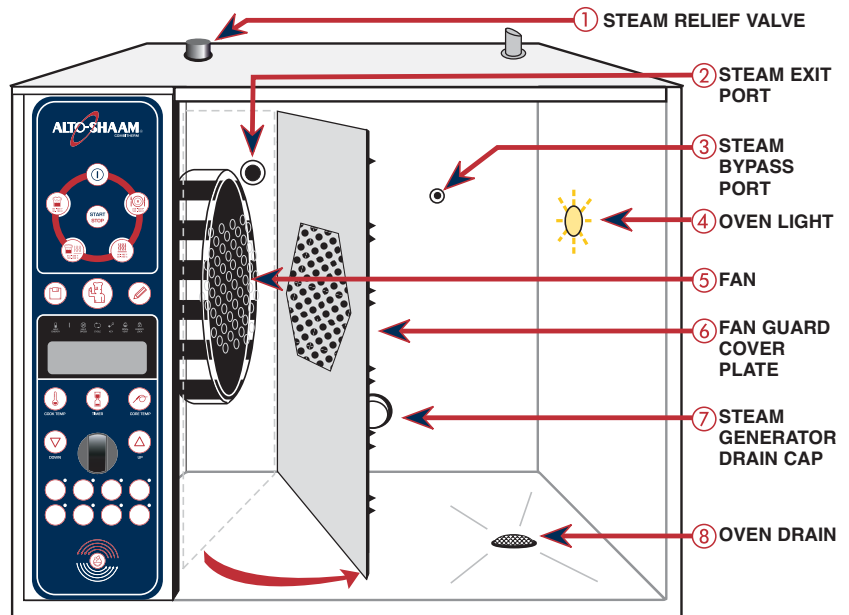
1. Begin decalcification with the power key in the **OFF** position.
2. Open oven door. Wearing hand protection, rotate the Steam Generator Drain Cap ⑦ until water begins to flow from the four holes in the cap. In approximately 20 to 60 seconds, a sufficient quantity of water will have drained from the steam generator so that the drain cap can be completely removed.
3. Let the water continue to drain until the flow completely subsides. Replace the Steam Generator Drain Cap ⑦ by turning it clockwise until there is a slight resistance. Close oven door.
4. Using the batch mix instructions on the label, mix up 1 gallon of **ScaleFree™** solution at a time **or** one gallon of distilled white vinegar for counter top models and 3 gallons of distilled white vinegar for floor standing models. Using a funnel inserted into the Steam Relief Valve ①, slowly pour solution in to the Steam Generator until full.
5. Remove funnel from Steam Relief Valve ①.

① **PRESS THE ON/OFF POWER KEY TO THE ON POSITION.**

The unit will add water if needed.

 **PRESS THE STEAM PROGRAM KEY**

The unit will begin to pre-heat.



## WARNING

**DURING DECALCIFICATION THE WATER FLOWING FROM THE DRAIN CAP IS EXTREMELY HOT! USE HAND PROTECTION WHEN TOUCHING THE STEAM GENERATOR DRAIN CAP. DO NOT TOUCH THE WATER FLOWING OUT OF THE STEAM GENERATOR DRAIN CAP OR STEAM GENERATOR DRAIN.**


**DO NOT PRESS START.** (Continued on next page)

# PREVENTIVE MAINTENANCE

ALLOW THE UNIT TO PREHEAT FOR 30 MINUTES.

*After a period of 30 minutes –*

**STANDARD CONTROL  
DELUXE CONTROL**

- ①** PRESS THE ON/OFF POWER KEY TO THE OFF POSITION.
- 6.** Open the oven door. **USING HAND PROTECTION**, rotate the Steam Generator Drain Cap **⑦** until water begins to flow from the four holes in the cap. In approximately 20 to 60 seconds, a sufficient quantity of water will have drained from the steam generator so that the drain cap can be completely removed. Let the water continue to drain until the flow completely subsides.
- 7.** Loosen the thumb screw(s) and swing Fan Guard Cover Plate **⑥** toward the back of the oven. Using the hand-held hose, direct a stream of water directly into the Steam Generator Drain **⑦** and Steam Exit Port **②** several times. Close the swing-out Cover Plate **⑥**. Lock the cover into place and tighten thumb screw(s). Close the oven door.
- ①** PRESS THE ON/OFF POWER KEY TO THE ON POSITION.  
A new supply of fresh water will begin to flush the steam generator.
- ALLOW THE WATER TO RUN FOR **2 MINUTES**  
to continue to flush out all remaining solution.
- ①** PRESS THE ON/OFF POWER KEY TO THE OFF POSITION.
- 8.** Open oven door. **USING HAND PROTECTION**, replace the Steam Generator Drain Cap **⑦** by turning it clockwise until there is a slight resistance. Close oven door.
- ①** PRESS THE ON/OFF POWER KEY TO THE ON POSITION.  
The unit will start to fill.
-  **START** **STOP** PRESS THE STEAM MODE KEY AND THEN PRESS THE START KEY.  
ALLOW UNIT TO RUN FOR 20 MINUTES IN THE STEAM MODE.
- ①** PRESS THE ON/OFF POWER KEY TO THE OFF POSITION.
- 9.** Open the oven door. **USING HAND PROTECTION**, rotate the Steam Generator Drain Cap **⑦** until water begins to flow from the four holes in the cap. In approximately 20 to 60 seconds, a sufficient quantity of water will have drained from the steam generator so that the drain cap can be completely removed. Let the water continue to drain until the flow completely subsides. Replace the Steam Generator Drain Cap **⑦** by turning it clockwise until there is a slight resistance.

At the end of the production day, leave the door slightly ajar.

**THE UNIT IS NOW READY TO BE USED.**

**DO NOT** COOK IN ANY PROGRAM MODE WITH  
**ScaleFree™** OR VINEGAR IN THE STEAM GENERATOR SYSTEM.

# PREVENTIVE MAINTENANCE

**CONTROL  
S-OPTION**

## DECALCIFICATION ON BOILER EQUIPPED MODELS using ScaleFree™ or Distilled White Vinegar

**S-CONTROL  
OPTION**

**ScaleFree™** Descaling Compound is an acid-based descaler combined with a proprietary chelating agent that is effective in dissolving and removing carbonate, lime-scale and iron scale build-up caused by hard water. ScaleFree efficiently and effectively removes lime-scale build-up from combi ovens.

**ScaleFree™** is a non-hazardous, Biodegradable Citrus Based Powder that when mixed with water becomes a powerful lime-scale remover.

It is **VERY** important to decalcify the oven, particularly in areas with extremely hard water.

**PERFORM ONCE A MONTH in addition to the daily steam generator flush.**

### WITH THE OVEN AT ROOM TEMPERATURE

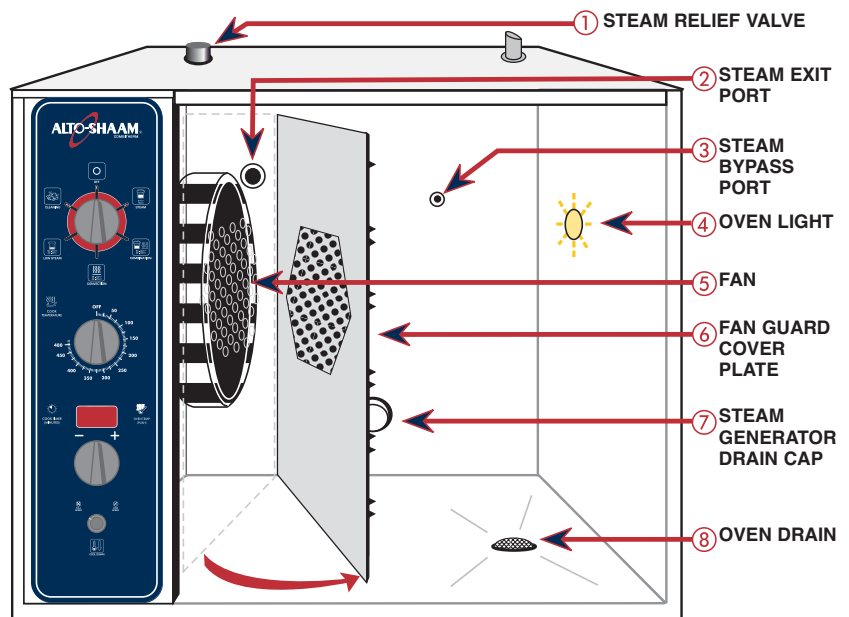
1. Begin decalcification with the power knob in the **OFF** position.
2. Open oven door. Wearing hand protection, rotate the Steam Generator Drain Cap ⑦ until water begins to flow from the four holes in the cap. In approximately 20 to 60 seconds, a sufficient quantity of water will have drained from the steam generator so that the drain cap can be completely removed.
3. Let the water continue to drain until the flow completely subsides. Replace the Steam Generator Drain Cap ⑦ by turning it clockwise until there is a slight resistance. Close oven door.
4. Using the batch mix instructions on the label, mix up 1 gallon of **ScaleFree™** solution at a time **or** one gallon of distilled white vinegar for counter top models and 3 gallons of distilled white vinegar for floor standing models. Using a funnel inserted into the Steam Relief Valve ①, slowly pour solution in to the Steam Generator until full.
5. Remove funnel from Steam Relief Valve ①.

TURN THE SELECTION KNOB TO THE STEAM POSITION.



**THE UNIT WILL ADD WATER IF NEEDED AND BEGIN TO PREHEAT.**

*(Continued on next page)*



## WARNING

**DURING DECALCIFICATION THE WATER FLOWING FROM THE DRAIN CAP IS EXTREMELY HOT! USE HAND PROTECTION WHEN TOUCHING THE STEAM GENERATOR DRAIN CAP. DO NOT TOUCH THE WATER FLOWING OUT OF THE STEAM GENERATOR DRAIN CAP OR STEAM GENERATOR DRAIN.**

# PREVENTIVE MAINTENANCE

ALLOW THE UNIT TO PREHEAT FOR 30 MINUTES.

After a period of 30 minutes —

**S-CONTROL  
OPTION**

 TURN THE SELECTION KNOB TO THE OFF POSITION.

6. Open the oven door. **USING HAND PROTECTION**, rotate the Steam Generator Drain Cap ⑦ until water begins to flow from the four holes in the cap. In approximately 20 to 60 seconds, a sufficient quantity of water will have drained from the steam generator so that the drain cap can be completely removed. Let the water continue to drain until the flow completely subsides.
7. Loosen the thumb screw(s) and swing Fan Guard Cover Plate ⑥ toward the back of the oven. Using the hand-held hose, direct a stream of water directly into the Steam Generator Drain ⑦ and Steam Exit Port ② several times. Close the swing-out Cover Plate ⑥. Lock the cover into place and tighten thumb screw(s). Close the oven door.



TURN THE SELECTION KNOB TO THE STEAM POSITION.

A new supply of fresh water will begin to flush the steam generator.

ALLOW THE WATER TO RUN FOR **2 MINUTES** OF OPERATION IN THE STEAM MODE, to continue to flush out all remaining solution.

 TURN THE SELECTION KNOB TO THE OFF POSITION.

8. Open oven door. **USING HAND PROTECTION**, replace the Steam Generator Drain Cap ⑦ by turning it clockwise until there is a slight resistance. Close oven door.



TURN THE SELECTION KNOB TO THE STEAM POSITION.

The unit will start to fill.

 ALLOW UNIT TO RUN FOR 20 MINUTES IN THE STEAM MODE.  
TURN THE SELECTION KNOB TO THE OFF POSITION.

9. Open the oven door. **USING HAND PROTECTION**, rotate the Steam Generator Drain Cap ⑦ until water begins to flow from the four holes in the cap. In approximately 20 to 60 seconds, a sufficient quantity of water will have drained from the steam generator so that the drain cap can be completely removed. Let the water continue to drain until the flow completely subsides. Replace the Steam Generator Drain Cap ⑦ by turning it clockwise until there is a slight resistance.

At the end of the production day, leave the door slightly ajar.

**THE UNIT IS NOW READY TO BE USED.**

**DO NOT** COOK IN ANY PROGRAM MODE WITH **ScaleFree™** OR VINEGAR IN THE STEAM GENERATOR SYSTEM.

NOTES

vsezip.ru

+7(812)987-08-81

## SERVICE MODE AND ERROR CODES

|  |    |
|--|----|
| Service Mode Instructions .....        | 64 |
| Error Codes.....                       | 66 |
| Emergency Operation .....              | 69 |
| Return to Main Table of Contents ..... | 3  |

# SERVICE MODE AND ERROR CODES

## SERVICE MODE INSTRUCTIONS

The service mode is accessible on units with Standard or Deluxe controls only.

### TO ACCESS THE SERVICE MODE

 PRESS THE ON/OFF POWER KEY TO THE ON POSITION.

   PRESS THE COOK TEMP, TIME AND CORE TEMP KEYS SIMULTANEOUSLY.

The service mode will appear in the display.

**or**


If the unit does not have a core temperature key, an additional black button is located on the back of the display board. Remove the left-hand side of the unit or the front control panel to access it.

### TO NAVIGATE IN THE SERVICE MODE

#### R-Number Menu

The service mode has three menus and will open in the R-Number Menu. This menu is read-only and displays the current temperature (in Celsius), the status of all other sensors and switches, and the most recent errors and their time of occurrence. Rotate the adjustment knob to view the status values.

To view the last 10 errors that have occurred:

- Rotate the adjustment knob until the parameter R38 shows in the display.
- Press the up  $\Delta$  arrow to display the last 10 errors.
- Press the Chef Function  key to toggle between the error description and the date and time it occurred.
- Press the down  $\nabla$  arrow to return to the parameter R38.
- Rotate the adjustment knob to scroll to another parameter.

#### C-Number Menu

The second menu, the C-Number Menu, is where all sensor values are set. These values are changeable, but should only be changed under the direction of an Alto-Shaam factory representative. **Unauthorized changes can cause damage.** Rotate the adjustment knob to view these values.

#### D-Number Menu

The third menu, the D-Number Menu, is the diagnostic menu. Here all components can be activated for 10 seconds at a time to aid in troubleshooting the oven. To test a component:

- Rotate the adjustment knob until the desired parameter (D07 Fan [0], D12 Oven Lamp [0], etc.) shows in the display.
- Press the up  $\Delta$  arrow to highlight the value [0].
- Rotate the adjustment knob to change [0] to [1]. The component will activate for 10 seconds and then the display will return to [0].
- Press the down  $\nabla$  arrow to return to the parameter *without* the value highlighted.
- Rotate the adjustment knob to scroll to another parameter.



# SERVICE MODE AND ERROR CODES

vsezip.ru

## TO EXIT THE SERVICE MODE

 PRESS THE START KEY TO EXIT FROM THE SERVICE MODE TO THE NORMAL TIME DISPLAY.

## MOST COMMONLY USED PARAMETERS

| R-Numbers                                  | C-Numbers            | D-Numbers                        |
|--|----------------------|----------------------------------|
| R01 CTC-1 Multi-Point Product Probe        | C01 Nom Standby Temp | D01 Delete Errors                |
| R02 CTC-2 Multi-Point Product Probe        | C02 Nom Cond Temp    | D02 Key Lock                     |
| R03 CTC-3 Multi-Point Product Probe        | C03 Fan on Cycle     | D03 Delete All Programs          |
| R04 CTC-4 Multi-Point Product Probe        | C04 Fan off Cycle    | D04 Self Test BM (Display Board) |
| R05 Oven Temp Sensor (N-6)                 | C05 Cont Steam       | D06 Red Fan Speed                |
| R06 Bypass Probe (B-5)                     | C06 Init             | D07 Fan                          |
| R07 Condensate Probe (B-3)                 | C07 Humidity S       | D08 Steam Gen 1                  |
| R08 Steam Generator (B-4)                  | C08 Humidity SS      | D09 Convection 1                 |
| R09 STB Probe (N-8 Immersion Safety Probe) | C09 Humidity Quick   | D10 Steam Gen 2                  |
| R10 PT-100 Single-Point Product Probe      | C10 Humidity Reg     | D11 Convection 2                 |
| R13 Electronic Temp (Control Temperature)  | C11 Humidity Reg g   | D12 Oven Lamp                    |
| R20 Lower Level-Water Level Probe *        | C12 Bitfield 1       | D13 Cond Cooling                 |
| R21 Upper Level-Water Level Probe *        | C13 Bitfield 2       | D14 Steam Gen Fill               |
| R23 Door Switch *                          | C19 PIN              | D28 Venting Motor                |
| R29 Software BM (Display Board)            | C23 Time Browning    | D30 Smoking Element              |
| R30 Software SM (Relay Board)              | C24 Door Venting     | D31 Solenoid Valve               |
| R31 Software KM (HACCP Board)              |                      |                                  |
| R38 Errors (see R-Number instructions)     |                      |                                  |

\* For these parameters, [0] = Not Satisfied, [1] = Satisfied.

## TO REBOOT THE CONTROL

Rebooting the control can sometimes fix an error code or a control that is frozen or confused:

 PRESS AND HOLD THE ON/OFF POWER KEY FOR FIVE SECONDS.

The display will flash and show ST5000 for 20 seconds, followed by “Please Wait”, and then will return to the time and date.

 PRESS THE ON/OFF POWER KEY MOMENTARILY.

The unit will turn on and can be operated normally.

# SERVICE MODE AND ERROR CODES

## ERROR CODES

When the oven malfunctions, an error code will appear in the display.



PRESS THE START KEY TO ACKNOWLEDGE THE ERROR.

The keys that begin to flash represent operational modes that are still usable. Refer to Emergency Operation.

When the oven fault is corrected, the Combitherm will return to normal Operation.

## ERROR CODES AND REASONS

| Error Code | Display Shows         | When does the error occur?   | Possible reason  |
|------------|-----------------------|--|--|
| E01        | Low Water             | <b>ES units only:</b> <ul style="list-style-type: none"> <li>Activated if running in any mode and the water level drops below the low level sensor.</li> <li>Activated if in Standby mode and the water level drops below the low level sensor for 3 minutes.</li> </ul> | <ul style="list-style-type: none"> <li>Water supply is shut off.</li> <li>Low water pressure.</li> <li>Steam generator drain cap is off or loose.</li> <li>Drain pump is not sealing.</li> <li>Faulty or scaled water level probe.</li> <li>Faulty or plugged solenoid valve assembly.</li> <li>Wiring or connection issue.</li> </ul> |
| E02        | Control Temp High     | Activated if the temperature of the electrical control is higher than 176°F (80°C) for 20 seconds.   | <ul style="list-style-type: none"> <li>Cooling fan not operating.</li> <li>Unit is next to a heat producing source (there is less than 20" clearance for the control side).</li> <li>Exhaust hood is not operating (if applicable).</li> </ul>   |
| E03        | Fan Malfunction       | Activated if the motor protection switch is tripped.   | <ul style="list-style-type: none"> <li>Motor rotation is backwards.</li> <li>Incorrect power to the unit.</li> <li>Connection problem at X-7 plug on the relay board pins 3-4.</li> </ul>  |
| E04        | Aux Fan Fault         | Auxiliary fan malfunction.   | <ul style="list-style-type: none"> <li>Control setup programming error.</li> <li>Contact factory.</li> </ul>   |
| E11        | Excess Oven Temp      | Activated if the oven cavity temperature is higher than 572°F (300°C) for 25 seconds.  | <ul style="list-style-type: none"> <li>Connection issue with oven temperature sensor.</li> <li>Convection element contactor is stuck.</li> <li>Faulty oven temperature sensor.</li> </ul>  |
| E13        | Excess Steam Gen Temp | <b>ES units only:</b><br>Activated if the temperature of the steam generator probe (B-4) is higher than 248°F (120°C) for 26 seconds.  | <ul style="list-style-type: none"> <li>Problem with water level probe.</li> <li>Scale build-up inside steam generator.</li> <li>Steam element contactor is stuck.</li> <li>Connection issue with B-4 probe.</li> <li>Faulty B-4 probe.</li> </ul>  |
|            |                       | <b>ESi units only:</b> <ul style="list-style-type: none"> <li>Activated if the position of personality jumper on X-3 is incorrect.</li> <li>Activated if the position of B-4 jumper is incorrect.</li> </ul>   | <ul style="list-style-type: none"> <li>Jumper on X-3 is improperly positioned. Should be between 2-8 or, if it is a smoker, between 2-9.</li> <li>Jumper on X-6a is improperly positioned. Should be between 13-14.</li> </ul>   |

# SERVICE MODE AND ERROR CODES

## ERROR CODES AND REASONS (continued)

vsezip.ru

+7(812)987-08-81

| Error Code | Display Shows                | When does the error occur?  | Possible reason  |
|------------|------------------------------|---|--|
| E15        | Excess Condensate Temp       | Activated if the temperature of the condensate probe (B-3) is higher than 212°F (100°C) for 26 seconds.   | <ul style="list-style-type: none"> <li>Water supply is shut off.</li> <li>Faulty or plugged solenoid valve (Y-2).</li> <li>Connection issue at B-3 probe.</li> <li>Faulty B-3 probe.</li> </ul>  |
| E21        | Oven Probe Fault             | Activated if oven temperature probe (N-6) is interrupted.   | <ul style="list-style-type: none"> <li>Connection issue at N-6 probe.</li> <li>Faulty N-6 probe.</li> </ul>  |
| E22        | Core Temp Probe Fault        | Activated if cooking in Core Temp mode and the CTC sensor measures an excessive temperature.  | <ul style="list-style-type: none"> <li>CTC sensor is damaged.</li> <li>4-point CTC sensor is activated, but 1-point CTC sensor is installed.</li> <li>Cable connection of CTC sensor is damaged.</li> <li>Hardware problem on control unit (SM).</li> </ul>  |
| E23        | Steam Gen Probe Fault        | <p><b>ES units only:</b><br/>Activated if the steam generator probe (B-4) is interrupted.</p> <p><b>ESi units only:</b></p> <ul style="list-style-type: none"> <li>Activated if the position of personality jumper on X-3 is incorrect.</li> <li>Activated if the position of B-4 jumper is incorrect.</li> </ul> | <ul style="list-style-type: none"> <li>Connection issue at B-4 probe.</li> <li>Faulty B-4 probe.</li> <li>Jumper on X-3 is improperly positioned. Should be between 2-8 or, if it is a smoker, between 2-9.</li> <li>Jumper on X-6a is improperly positioned. Should be between 13-14.</li> </ul>                          |
| E24        | Bypass Probe Fault           | Activated if the bypass probe (B-5) is interrupted.   | <ul style="list-style-type: none"> <li>Connection issue at B-5 probe.</li> <li>Faulty B-5 probe.</li> </ul>  |
| E25        | Condensate Probe Fault       | Activated if the condensate probe (B-3) is interrupted.   | <ul style="list-style-type: none"> <li>Connection issue at B-3 probe.</li> <li>Faulty B-3 probe.</li> </ul>  |
| E26        | Steam Gen Safety Probe Fault | Activated if the steam generator safety probe (N-8) is interrupted.   | <ul style="list-style-type: none"> <li>Connection issue at N-8 probe.</li> <li>Faulty N-8 probe.</li> </ul>  |
| E27        | Excess Steam Gen Safety Temp | <p><b>ES units only:</b><br/>Activated if the steam generator safety probe (N-8) measures a temperature in excess of 266°F (130°C).</p> <p><b>ESi units only:</b></p> <ul style="list-style-type: none"> <li>Activated if the position of N-8 jumper is incorrect.</li> </ul>                                     | <ul style="list-style-type: none"> <li>Problem with water level probe.</li> <li>Scale build-up inside steam generator.</li> <li>Steam element contactor is stuck.</li> <li>Connection issue with N-8 probe.</li> <li>Faulty N-8 probe.</li> <li>Jumper on X-6b is improperly positioned. Should be between 1-2.</li> </ul> |
| E29        | Probe Short to Frame         | Activated if one or more of the temperature sensors were connected to GND for 5 seconds.  | <ul style="list-style-type: none"> <li>Connection issue at any of the temperature sensors.</li> <li>Temperature sensor shorted to ground/faulty.</li> </ul>  |

# SERVICE MODE AND ERROR CODES

## ERROR CODES AND REASONS (continued)

vsezip.ru

+7(812)987-08-81

| Error Code | Display Shows           | When does the error occur?  | Possible reason   |
|------------|-------------------------|---|---|
| E34        | DE (Drain) Pump Failure | Activated if water level did not drop below the low level sensor in the generator during a steam generator flush.   | <ul style="list-style-type: none"> <li>• Problem with water level probe.</li> <li>• Scale build-up inside steam generator.</li> <li>• Scale plugging drain pump.</li> <li>• Faulty drain pump.</li> </ul>   |
| E35        | Venting Error           | Activated when vent switch reads open (vent closed) when it should be closed (vent open), or when it reads closed (vent open) when it should be open (vent closed). | <ul style="list-style-type: none"> <li>• Alignment issue between motor cam and micro switch.</li> <li>• Connection issue at micro switch.</li> <li>• Connection issue at control.</li> <li>• Faulty vent switch.</li> <li>• Faulty vent motor.</li> </ul> |
| E36        | Steam Temp High         | Activated when oven temperature probe (N-6) measures a temperature in excess of 395°F (202°C) when running in Steam or Combi mode.                                  | <ul style="list-style-type: none"> <li>• Water supply is shut off while unit is running in Steam or Combi mode.</li> <li>• Plugged or faulty Y-1 solenoid.</li> <li>• Obstruction between Y-01 solenoid and water inlet.</li> </ul>                       |
| E80        | ID Error                | Control is unable to detect whether unit is gas or electric.  | <ul style="list-style-type: none"> <li>• Connection issue at X-3 personality jumper.</li> <li>• Faulty control.</li> </ul>  |
| E81        | Program Memory Error    | Temperature value or time value of a program step is not allowed.   | <ul style="list-style-type: none"> <li>• Program was generated in °C and control has been switched to °F.</li> <li>• Program was generated in °F and control has been switched to °C.</li> </ul>  |
| E82        | WP Error                | Temperature value or time value of current cooking algorithm is out of allowed array.   | <ul style="list-style-type: none"> <li>• Delete program and reinstall.</li> </ul>   |
| E83        | Algo Error              | Cooking algorithm sent by operating module (BM) is unknown to control unit (SM).  | <ul style="list-style-type: none"> <li>• Software versions of control unit and operating module are incompatible.</li> <li>• Software error in operating module.</li> </ul>   |
| E96        | Connection Error        | No or bad communication between control unit (SM) and operating module (BM).  | <ul style="list-style-type: none"> <li>• Connection issue at ribbon cable on display or relay board.</li> <li>• Faulty ribbon cable.</li> <li>• Software versions of control unit and operating module are incompatible.</li> </ul>                       |

# SERVICE MODE AND ERROR CODES

## EMERGENCY OPERATION

In the event of an error code, the Combitherm may be operated on a limited basis. Error conditions under which continued operation can be conducted are indicated by "Yes" in the chart shown below.

When the oven malfunctions, an error code will appear in the display.



PRESS THE START KEY TO ACKNOWLEDGE THE ERROR.

The keys that begin to flash represent operational modes that are still usable.



SELECT AND PRESS ONE OF THE COOKING MODES INDICATED.

The oven control will only respond to the mode keys that are flashing.

SET THE OVEN CONTROLS AS IF OPERATING UNDER NORMAL CIRCUMSTANCES.

Depending on the error code involved, oven function, such as temperature range, may be limited.



PRESS THE START KEY TO BEGIN THE COOKING PROCESS.



PRESS THE START KEY WHEN THE TIMER EXPIRES.

When the oven fault is corrected, the Combitherm will return to normal Operation.

## CONTINUED OPERATION UNDER ERROR CONDITIONS

| Error Code | Display Shows                | ES  | ESi | Steam Mode | Combination Mode | Convection Mode | Retherm Mode |
|------------|------------------------------|-----|-----|------------|------------------|-----------------|--------------|
| E01        | Low Water                    | Yes | N/A | No         | No               | To 365°F        | No           |
| E02        | Control Temp High            | Yes | Yes | Yes        | To 284°F         | To 284°F        | To 284°F     |
| E03        | Fan Malfunction              | N/A | N/A | —          | —                | —               | —            |
| E04        | Aux Fan Fault                | Yes | Yes | Yes        | To 284°F         | To 284°F        | To 284°F     |
| E11        | Excess Oven Temp             | Yes | Yes | No         | No               | No              | No           |
| E13        | Excess Steam Gen Temp        | Yes | N/A | No         | No               | No              | No           |
| E15        | Excess Condensate Temp       | Yes | Yes | No         | No               | To 356°F        | No           |
| E21        | Oven Probe Fault             | Yes | Yes | 212°F only | No               | No              | No           |
| E22        | Core Temp Probe Fault        | Yes | Yes | Yes        | Yes              | Yes             | Yes          |
| E23        | Steam Gen Probe Fault        | Yes | N/A | Yes        | Yes              | Yes             | Yes          |
| E24        | Bypass Probe Fault           | Yes | Yes | To 210°F   | No               | Yes             | No           |
| E25        | Condensate Probe Fault       | Yes | Yes | Yes        | To 356°F         | To 356°F        | To 320°F     |
| E26        | Steam Gen Safety Probe Fault | Yes | N/A | Yes        | Yes              | Yes             | Yes          |
| E27        | Excess Steam Gen Safety Temp | Yes | N/A | No         | No               | No              | No           |
| E29        | Probe Short to Frame         | Yes | Yes | No         | No               | No              | No           |
| E34        | DE (Drain) Pump Failure      | Yes | N/A | Yes        | Yes              | Yes             | Yes          |
| E35        | Venting Error                | Yes | Yes | Yes        | Yes              | Yes             | Yes          |
| E36        | Steam Temp High              | N/A | Yes | No         | No               | Yes             | No           |
| E80        | ID Error                     | Yes | Yes | Yes        | Yes              | Yes             | Yes          |
| E81        | Program Memory Error         | Yes | Yes | Yes        | Yes              | Yes             | Yes          |
| E82        | WP Error                     | Yes | Yes | Yes        | Yes              | Yes             | Yes          |
| E83        | Algo Error                   | Yes | Yes | Yes        | Yes              | Yes             | Yes          |
| E96        | Connection Error             | Yes | Yes | No         | No               | No              | No           |

**SERVICE MODE AND ERROR CODES**

NOTES

vsezip.ru

+7(812)987-08-81

## TROUBLESHOOTING TREES

|   |        |
|---|--------|
| ES Units.....   | 72     |
| K-77 Safety Contactor Does Not Pull-In at Power-Up<br>(380-415V Units Only).....  | 72     |
| Unit Dead — No Display and No Operation .....                                     | 73     |
| Unit Does Not Run When Start Is Pressed .....                                     | 74     |
| No Generator Fill .....   | 75     |
| No Steam Pre-Heat .....   | 76     |
| No Steam Production in Steam Mode .....   | 77     |
| No Heat in Convection Mode .....  | 78     |
| No Steam Production in Combination Mode .....                                     | 79     |
| No Convection Heat in Combination Mode .....                                      | 80     |
| Motor Does Not Run When K-51 Motor Contactor Is Energized ...                     | 81     |
| <br>ESi Units.....  | <br>82 |
| K-77 Safety Contactor Does Not Pull-In at Power-Up<br>(380-415V Units Only) ..... | 82     |
| Unit Dead — No Display and No Operation .....                                     | 83     |
| Unit Does Not Run When Start Is Pressed .....                                     | 84     |
| No Steam Production in Steam Mode .....   | 85     |
| No Heat in Convection Mode .....  | 86     |
| No Steam Production in Combination Mode .....                                     | 87     |
| No Convection Heat in Combination Mode .....                                      | 88     |
| No Smoke Production When Smoke Is Selected in Convection ....                     | 89     |
| No Motor Operation .....  | 90     |
| <br>Return to Main Table of Contents .....  | <br>3  |

**NOTE:** Troubleshooting Guides reflect all counter top models. When working on a 20.20 there are additional elements, motors, and contactors. The following components are wired to operate together on a 20.20:

- K-41 and K-43 Convection Element Contactors
- K-42 and K-44 Convection Element Contactors
- K-51 and K-71 High Speed Motor Contactors
- K-52 and K-72 Low Speed Motor Contactors

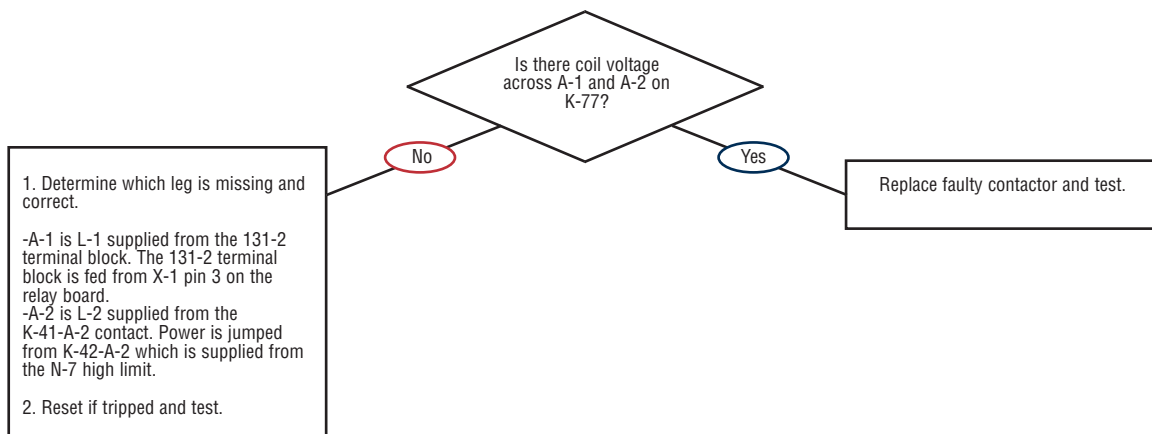
# TROUBLESHOOTING ОБЩЕЕ

## ES — K-77 Safety Contactor Does Not Pull-In at Power-Up (380-415V Units Only)

vsezip.ru

+7(812)987-08-81

**NOTE:** 380-145V units will not heat if K-77 is not pulled in.



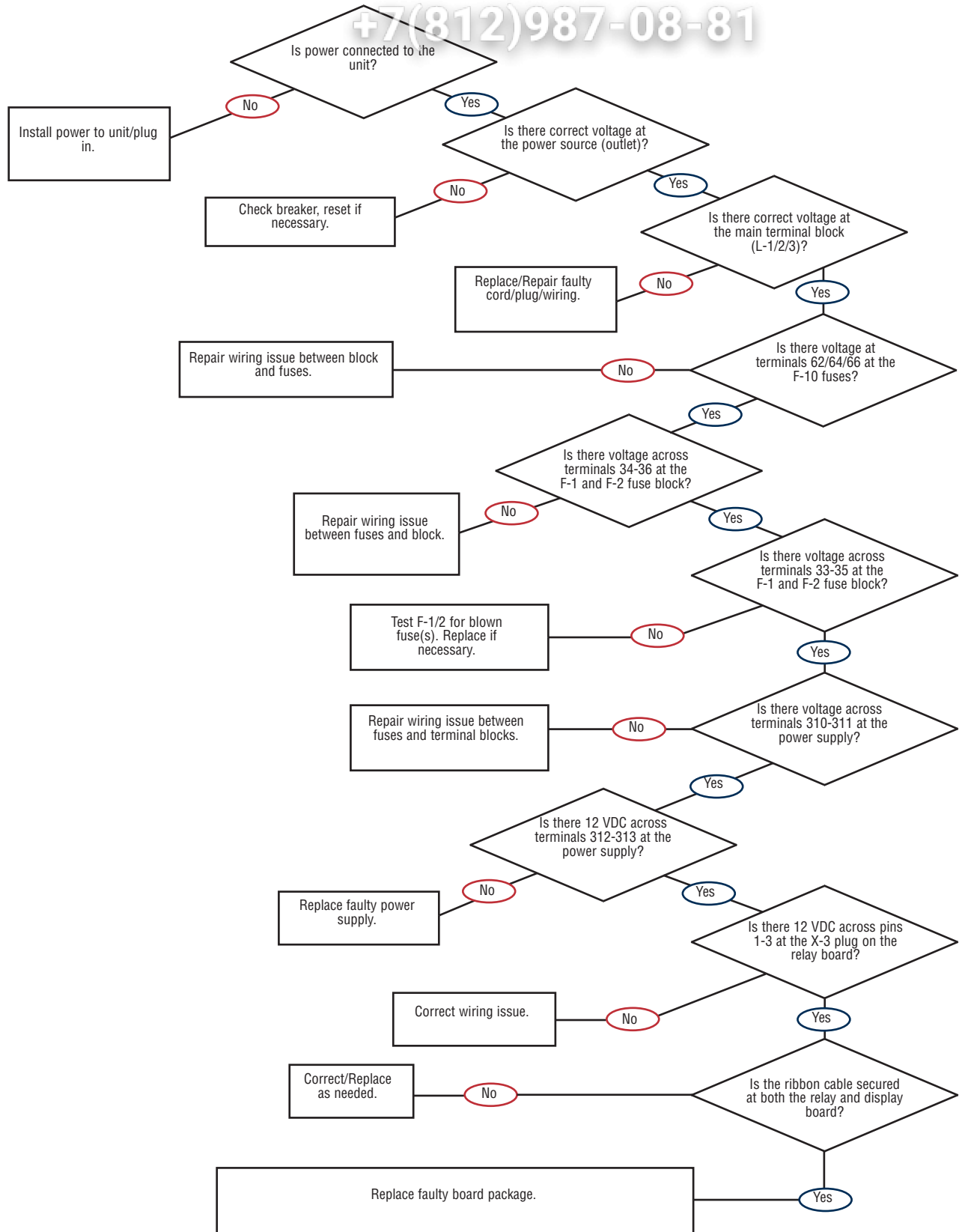


# TR TROUBLESHOOTING TREES

## ES — Unit Dead — No Display and No Operation

vsezip.ru

+7(812)987-08-81

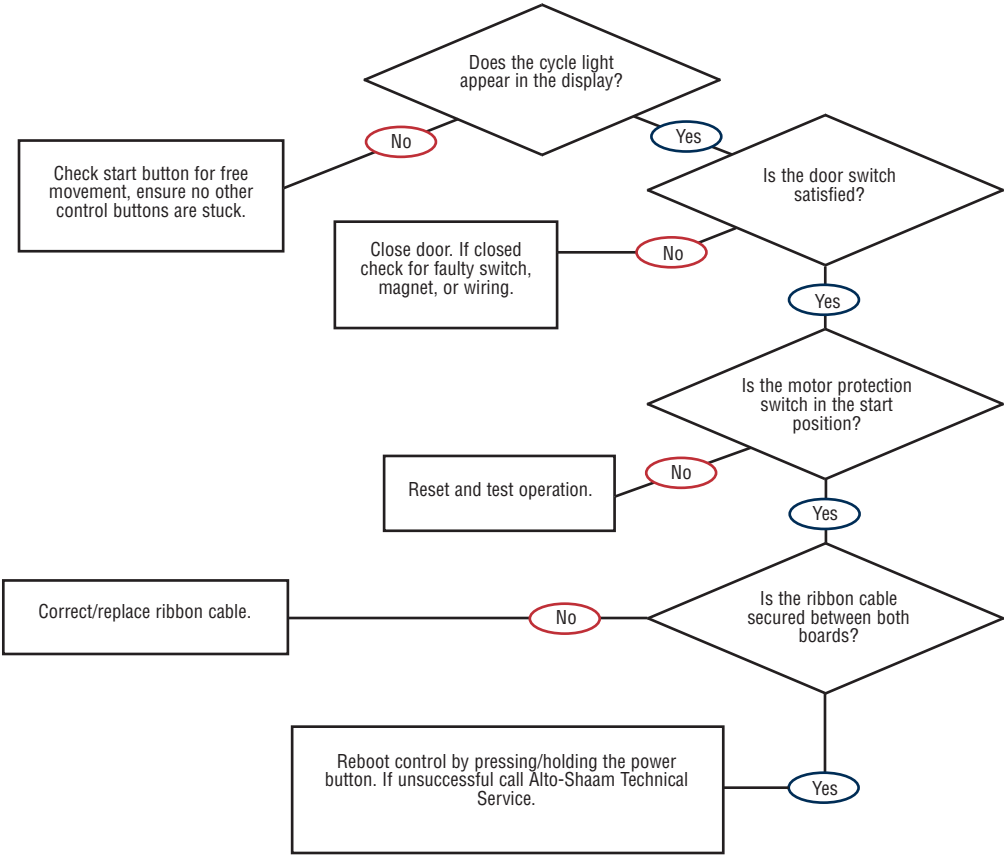


# TROUBLESHOOTING TREE

## ES — Unit Does Not Run When Start Is Pressed

vsezip.ru

+7(812)987-08-81

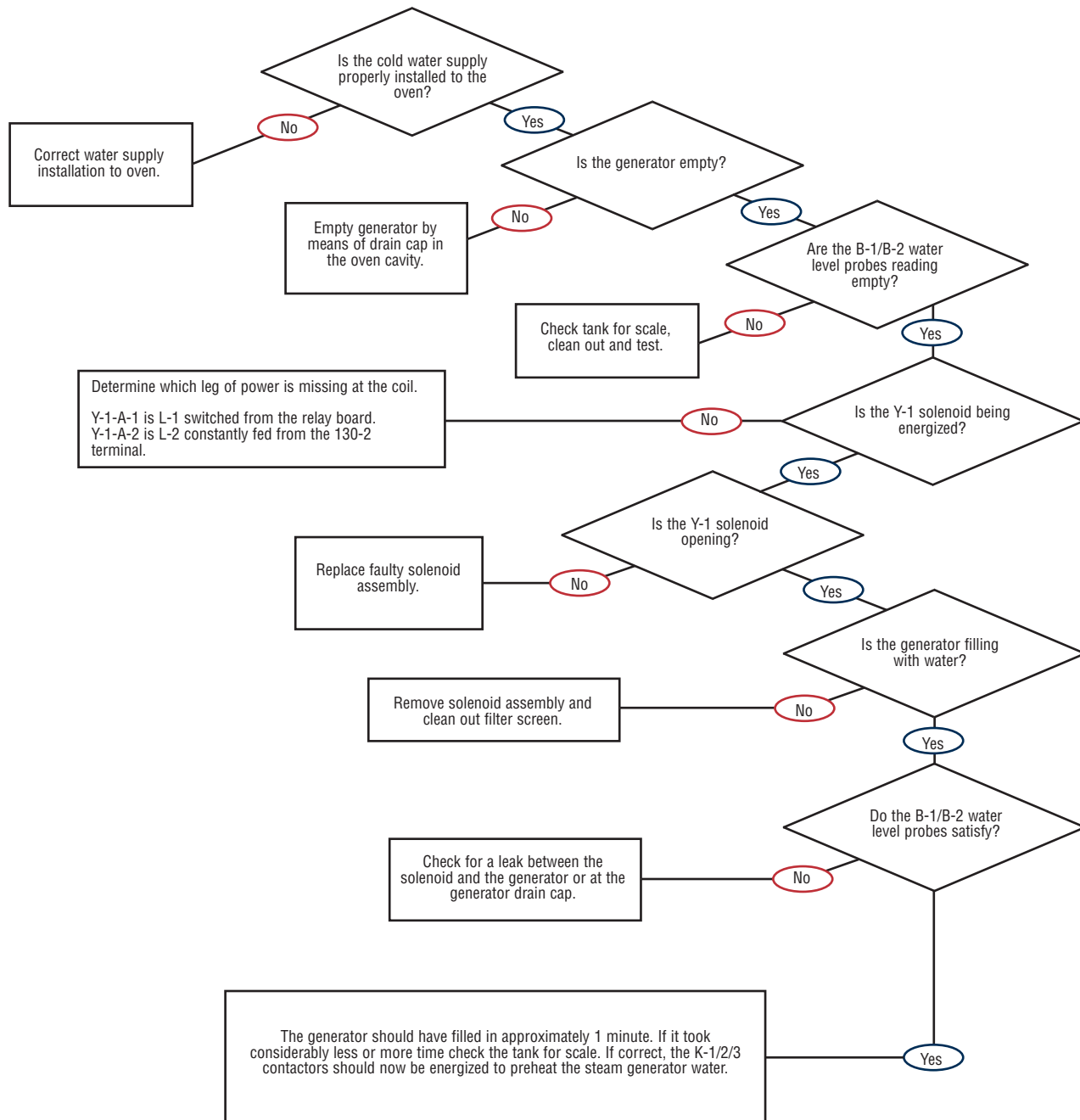


# TR TROUBLESHOOTING TREES

## ES — No Generator Fill

vsezip.ru

+7(812)987-08-81

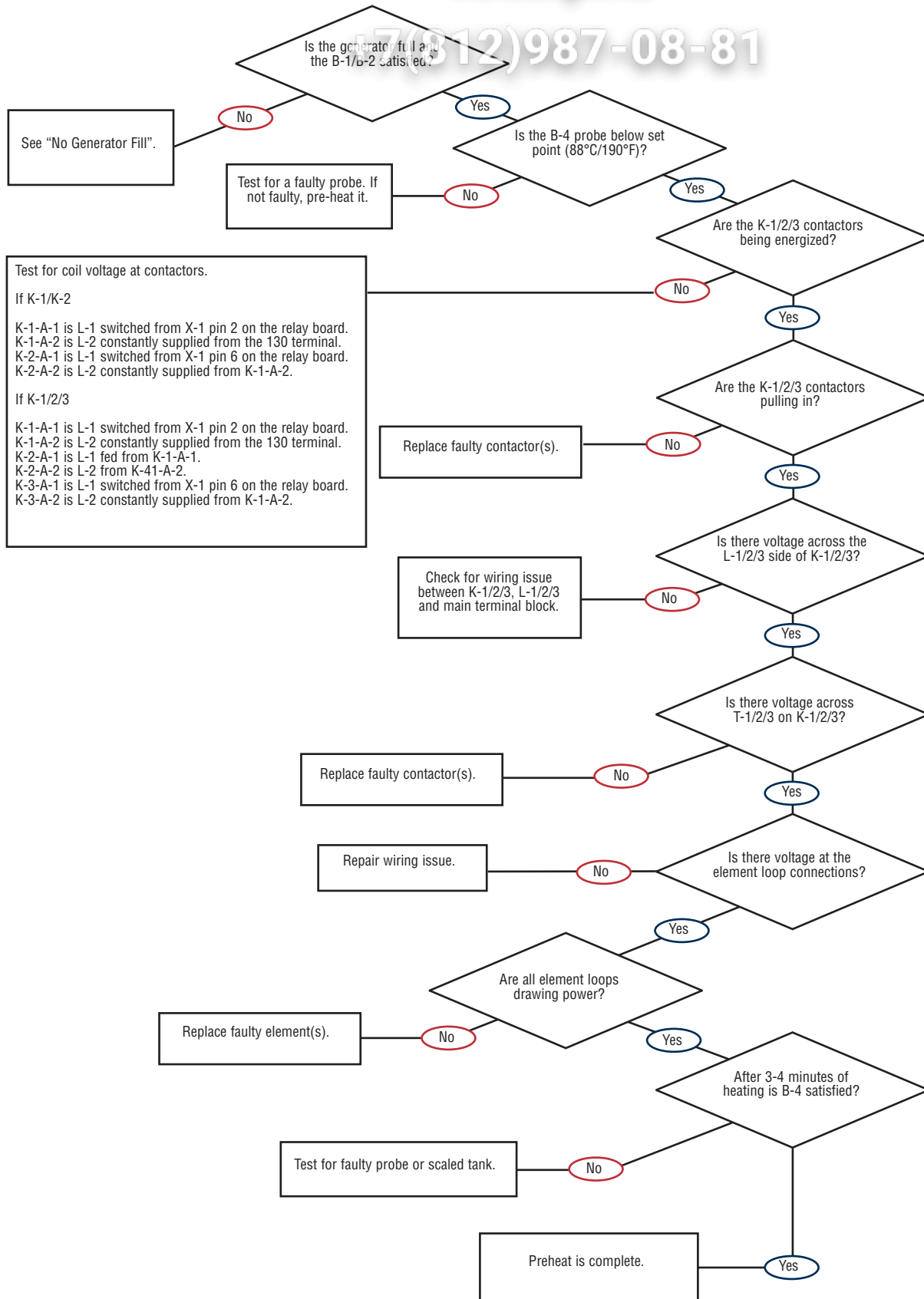


# ТРУБЛШОТИВНО ОБЩЕВИТ

## ES — No Steam Pre-Heat

vsezip.ru

+7(912)987-08-81

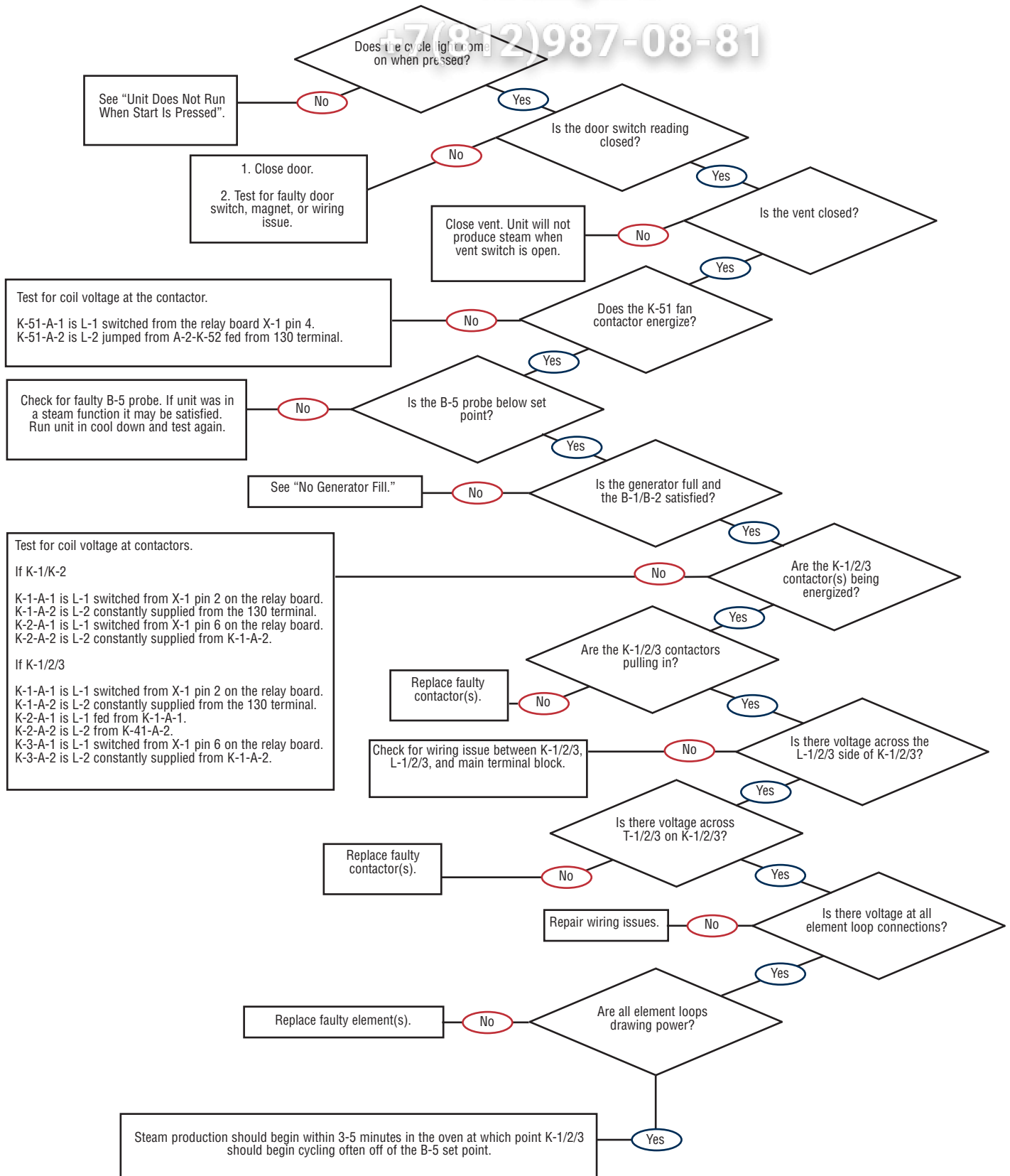


# TR TROUBLESHOOTING TREES

## ES — No Steam Production in Steam Mode

vsezip.ru

+7(812)987-08-81

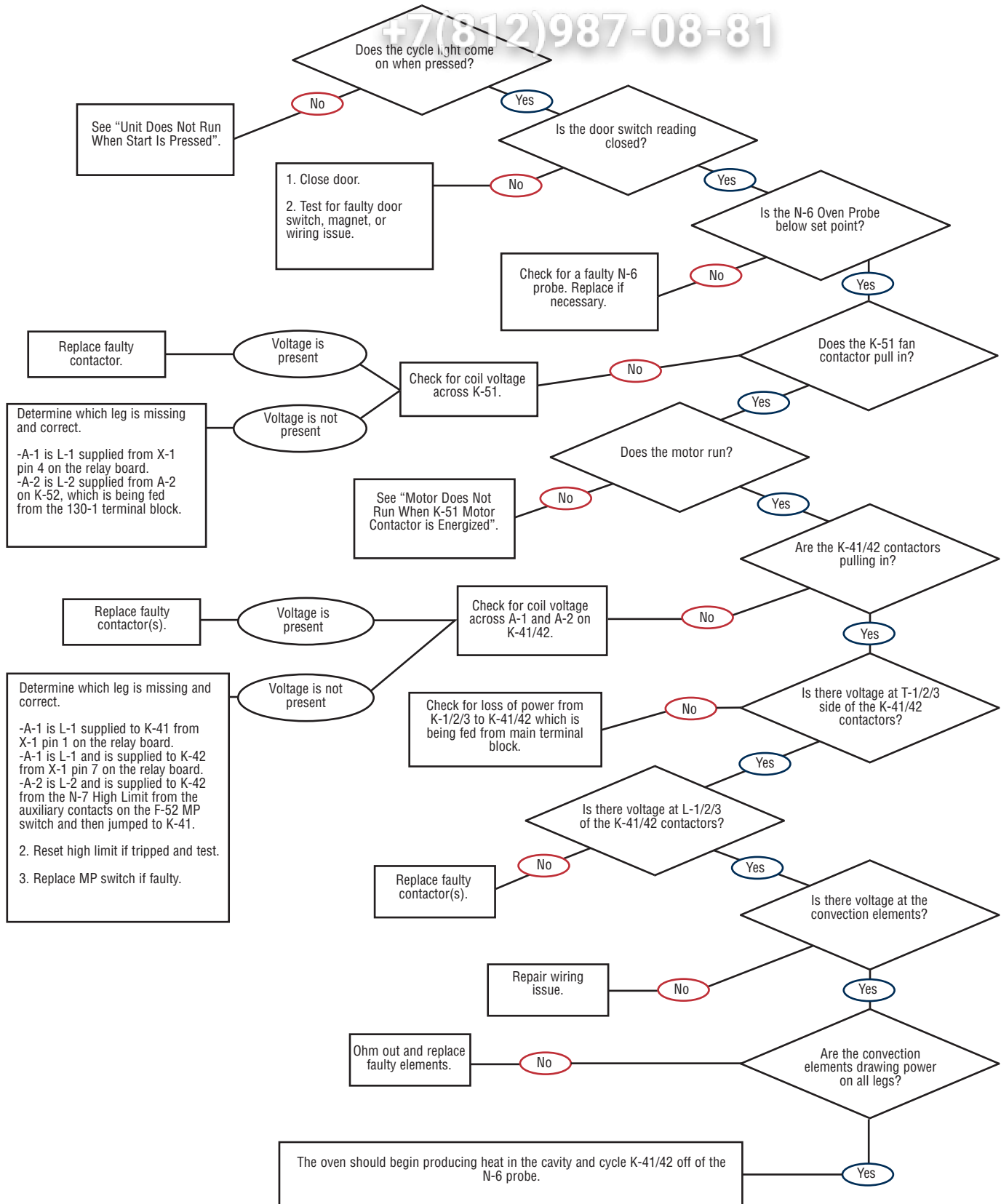


# TROUBLESHOOTING TREE

## ES — No Heat in Convection Mode

vsezip.ru

+7(812)987-08-81

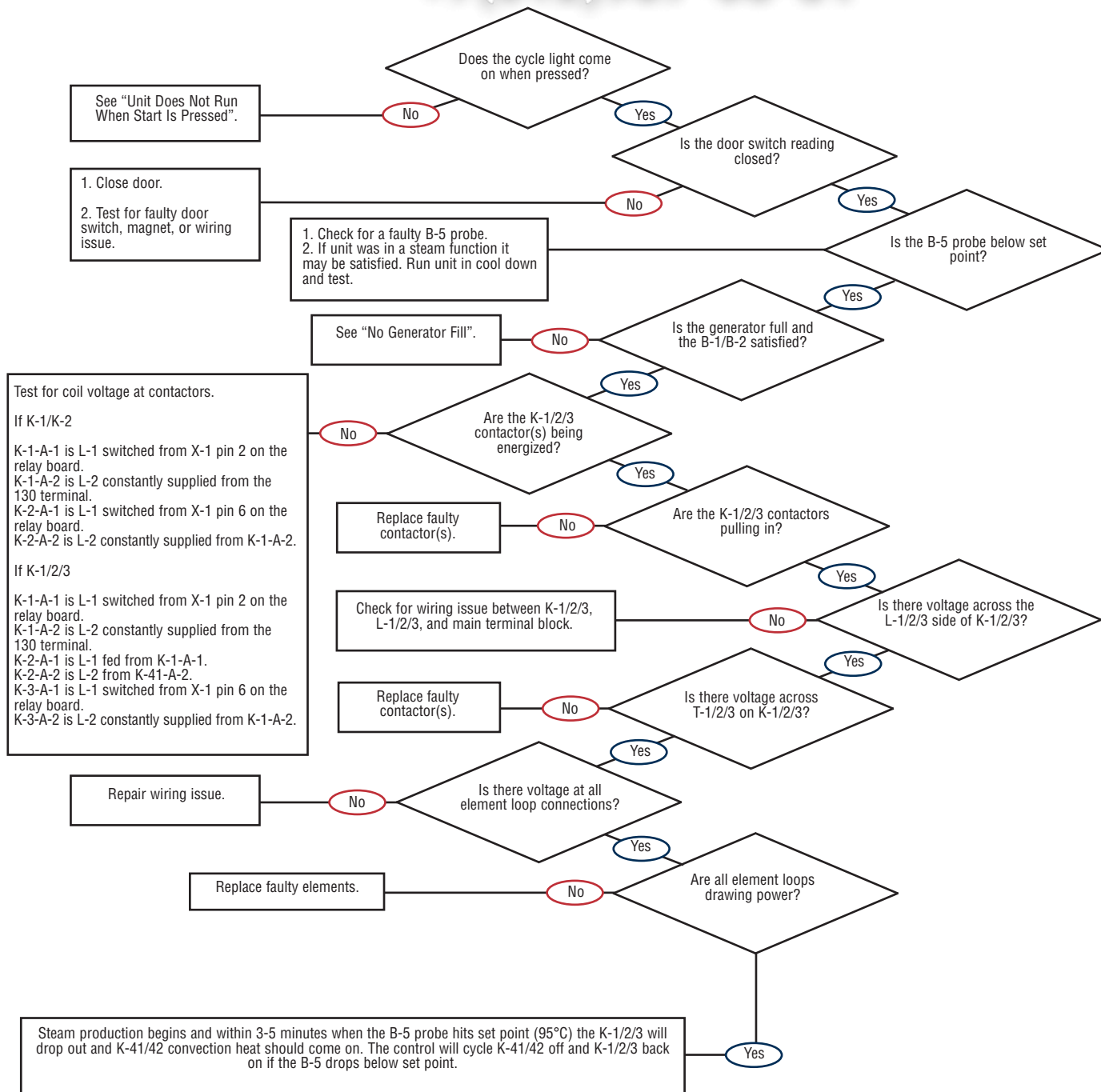


# TR TROUBLESHOOTING TREES

## ES — No Steam Production in Combination Mode

vsezip.ru

+7(812)987-08-81

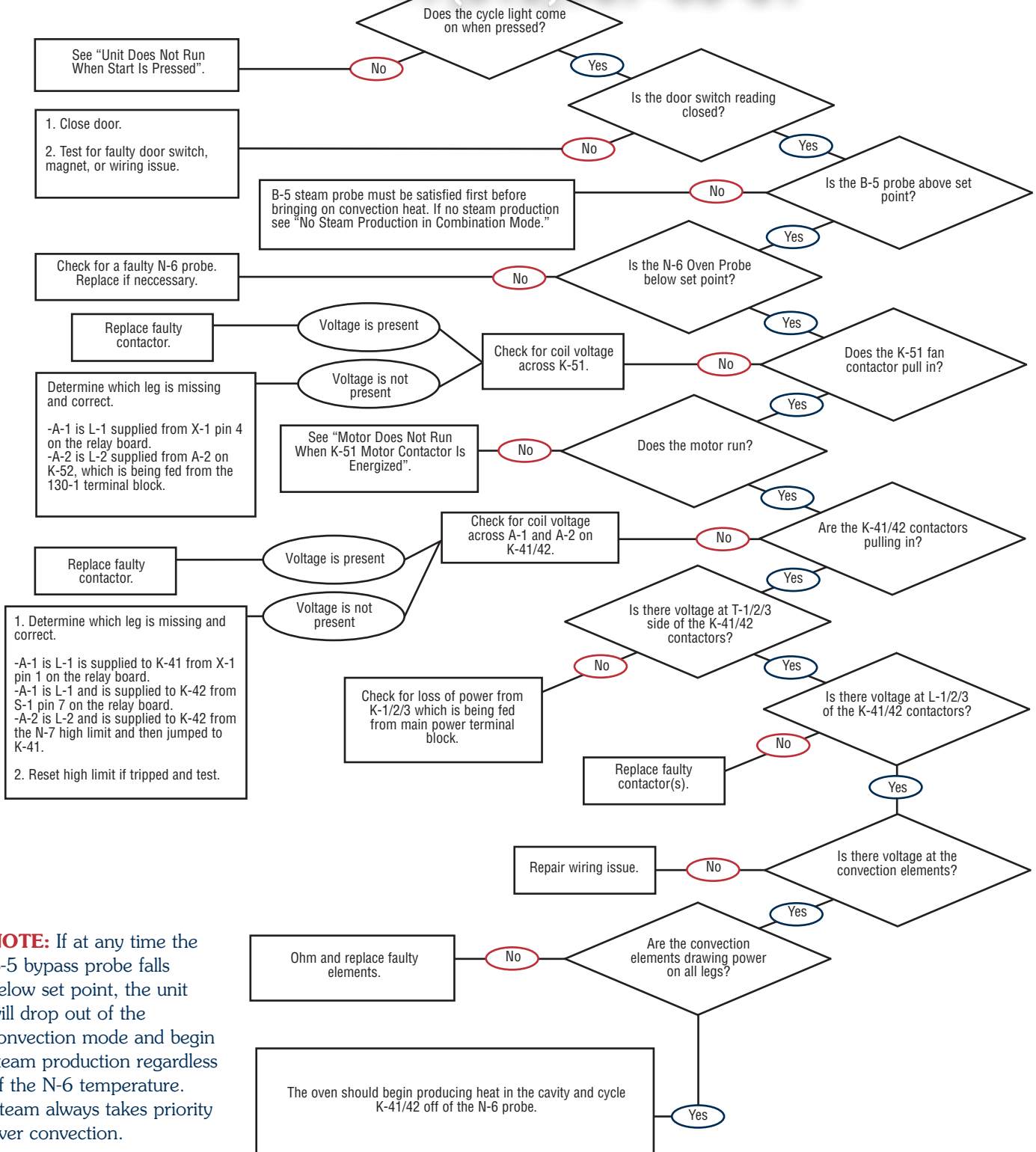


# TROUBLESHOOTING TRENDS

## ES — No Convection Heat in Combination Mode

vsezip.ru

+7(812)987-08-81



**NOTE:** If at any time the B-5 bypass probe falls below set point, the unit will drop out of the convection mode and begin steam production regardless of the N-6 temperature. Steam always takes priority over convection.

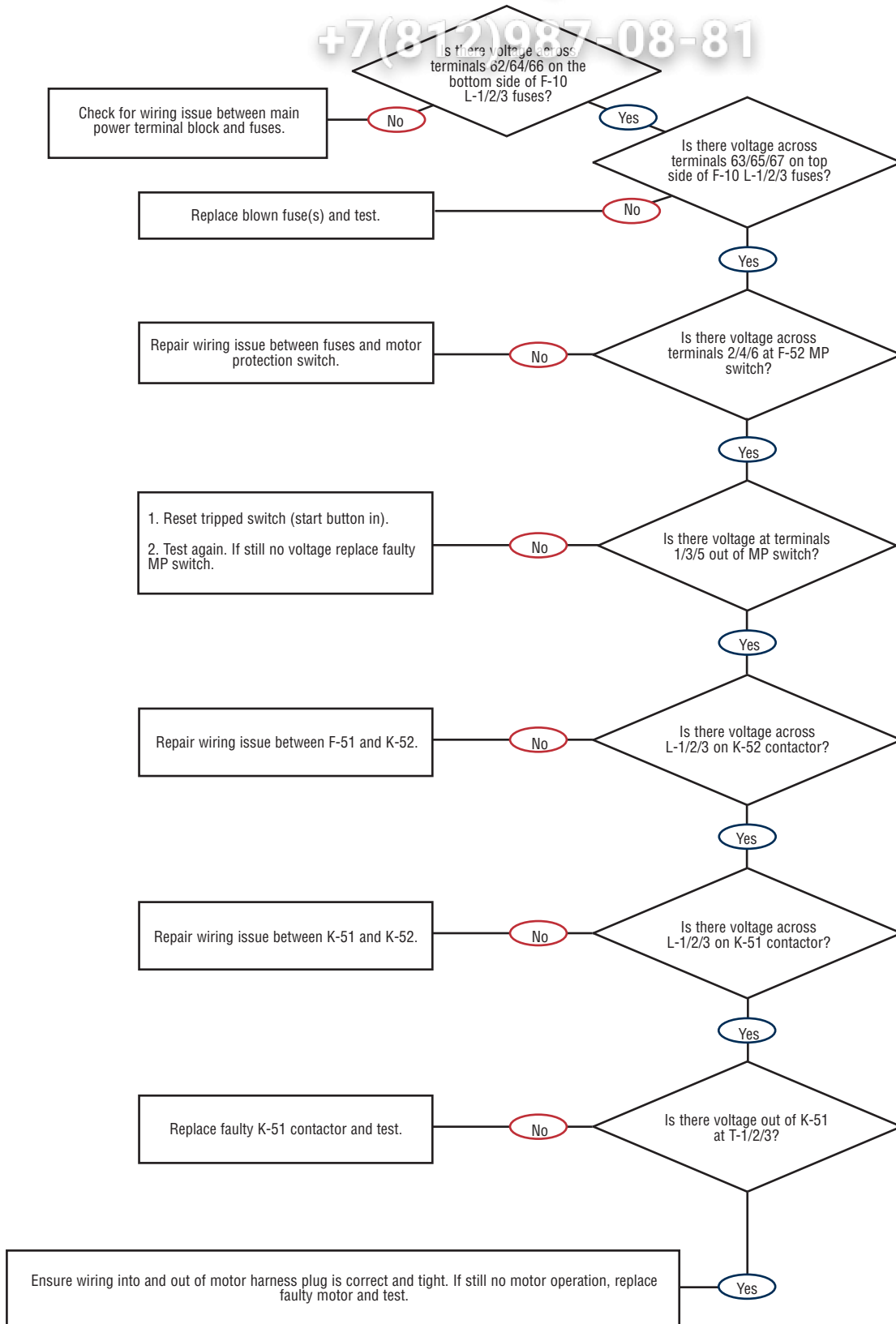


# TR TROUBLESHOOTING TREES

## ES — Motor Does Not Run When K-51 Motor Contactor Is Energized

vsezip.ru

+7(812)987-08-81

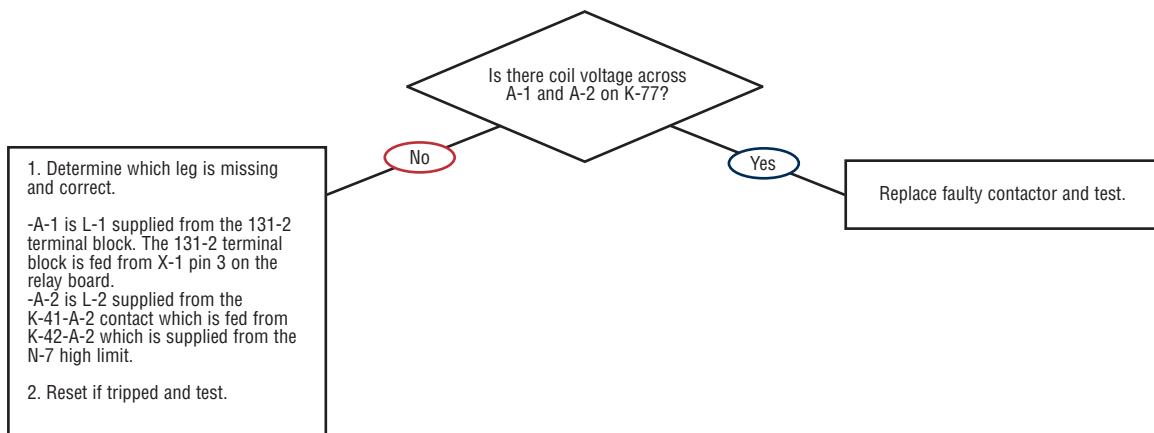


# TROUBLESHOOTING ОБЩЕЕ

## ESi — K-77 Safety Contactor Does Not Pull-In at Power-Up (380-415V Units Only) vsezip.ru

+7(812)987-08-81

**NOTE:** 380-145V units will not heat if K-77 is not pulled in.

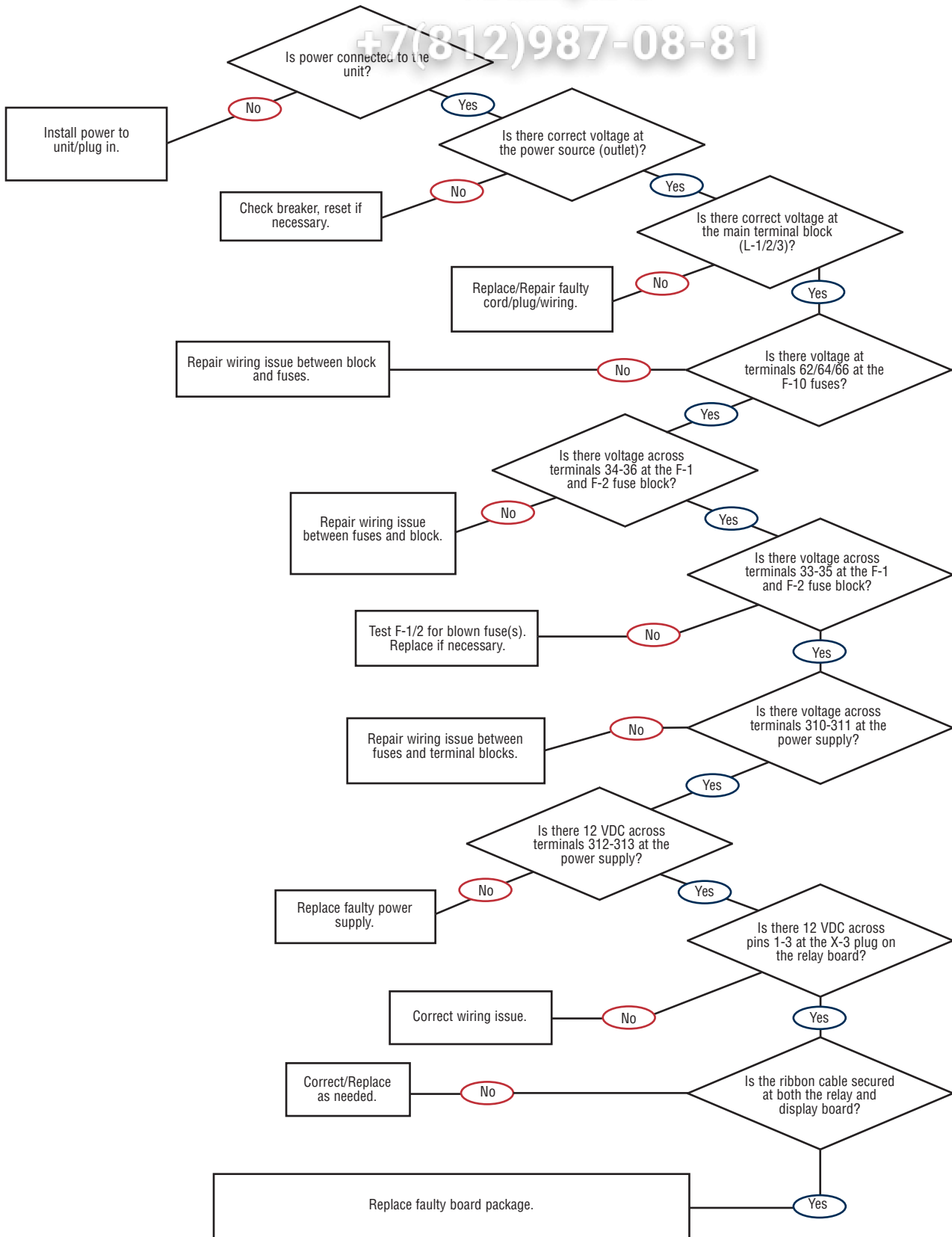


# TROUBLESHOOTING TREES

## ESi — Unit Dead — No Display and No Operation

vsezip.ru

+7(812)987-08-81

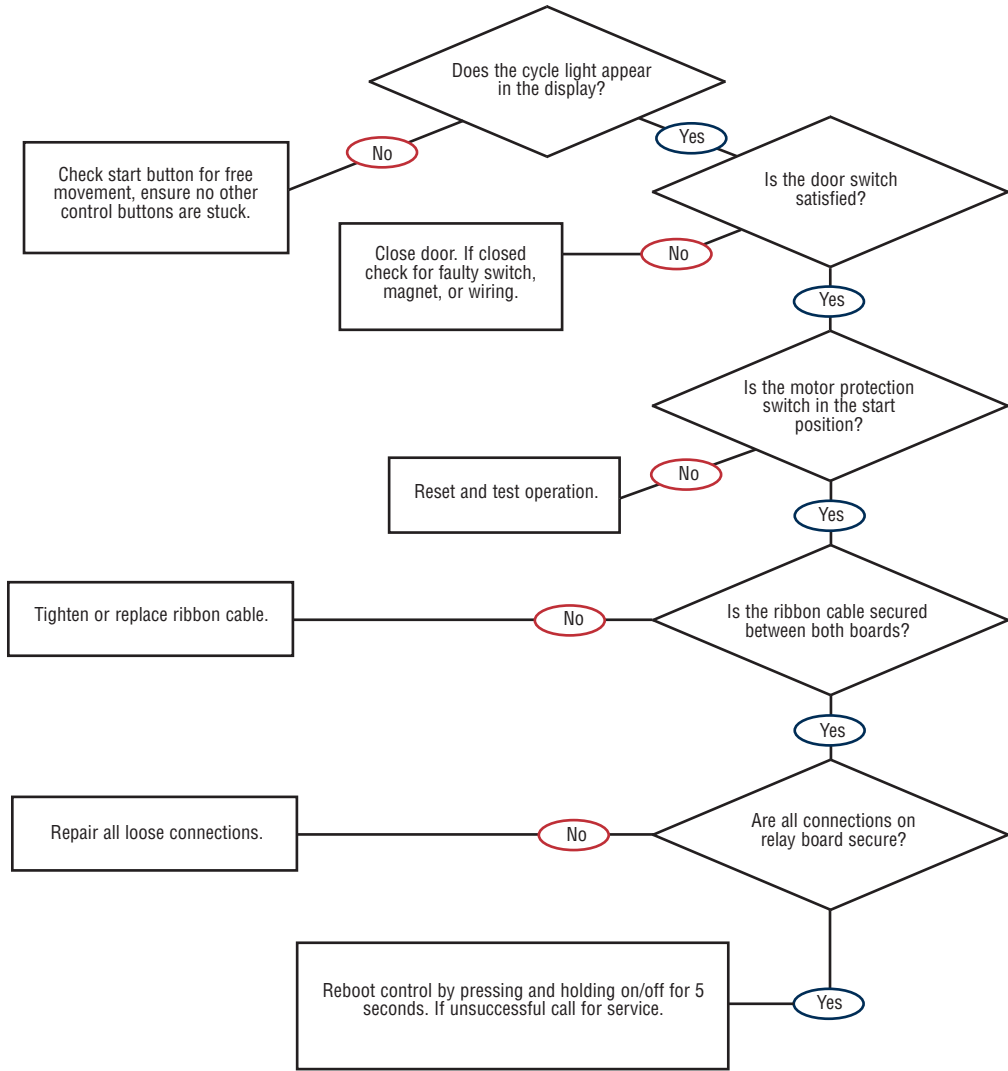


# TROUBLESHOOTING TREE

## ESi — Unit Does Not Run When Start Is Pressed

vsezip.ru

+7(812)987-08-81

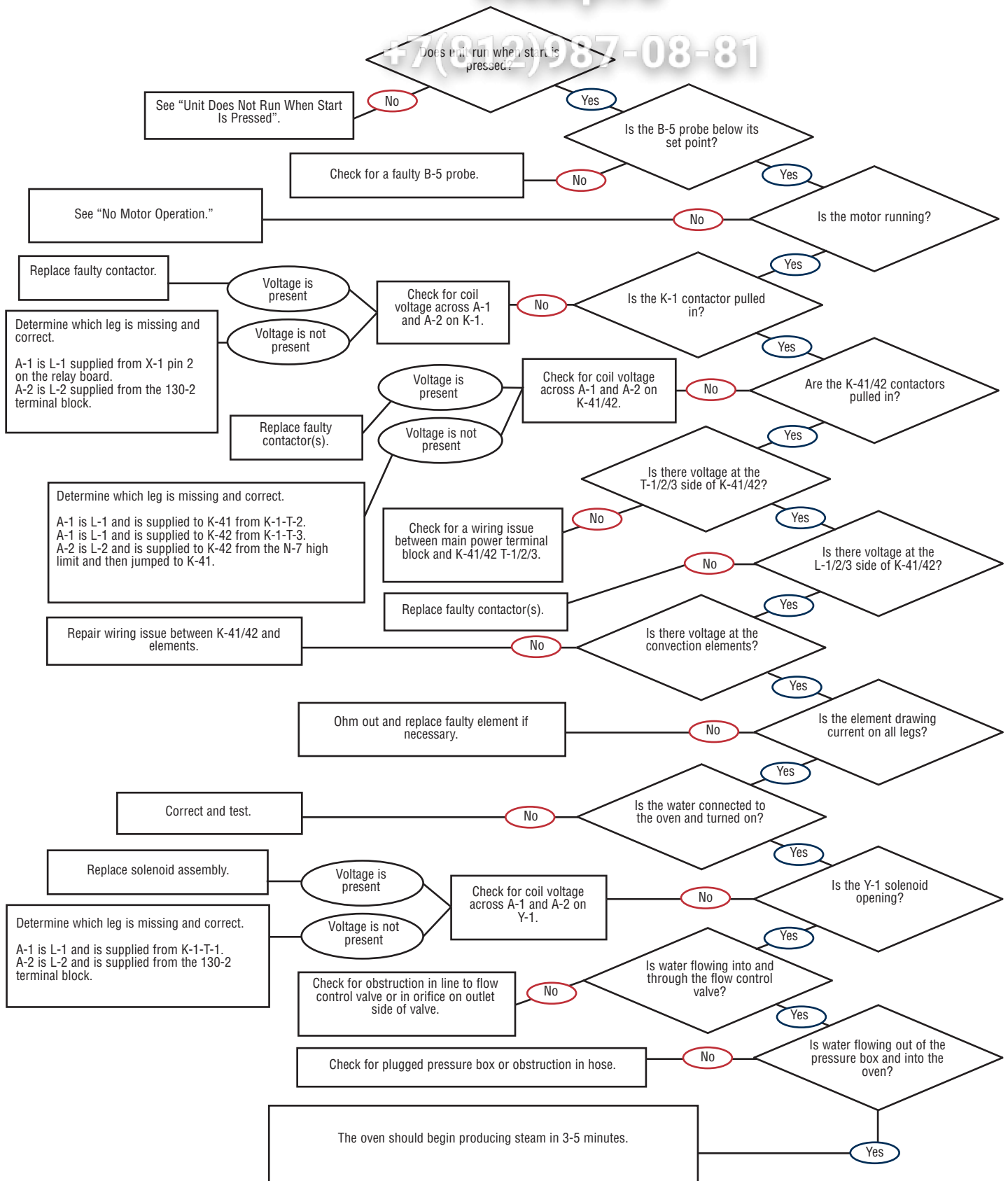


# TR TROUBLESHOOTING TREES

## ESi — No Steam Production in Steam Mode

vsezip.ru

#7(812)987-08-81

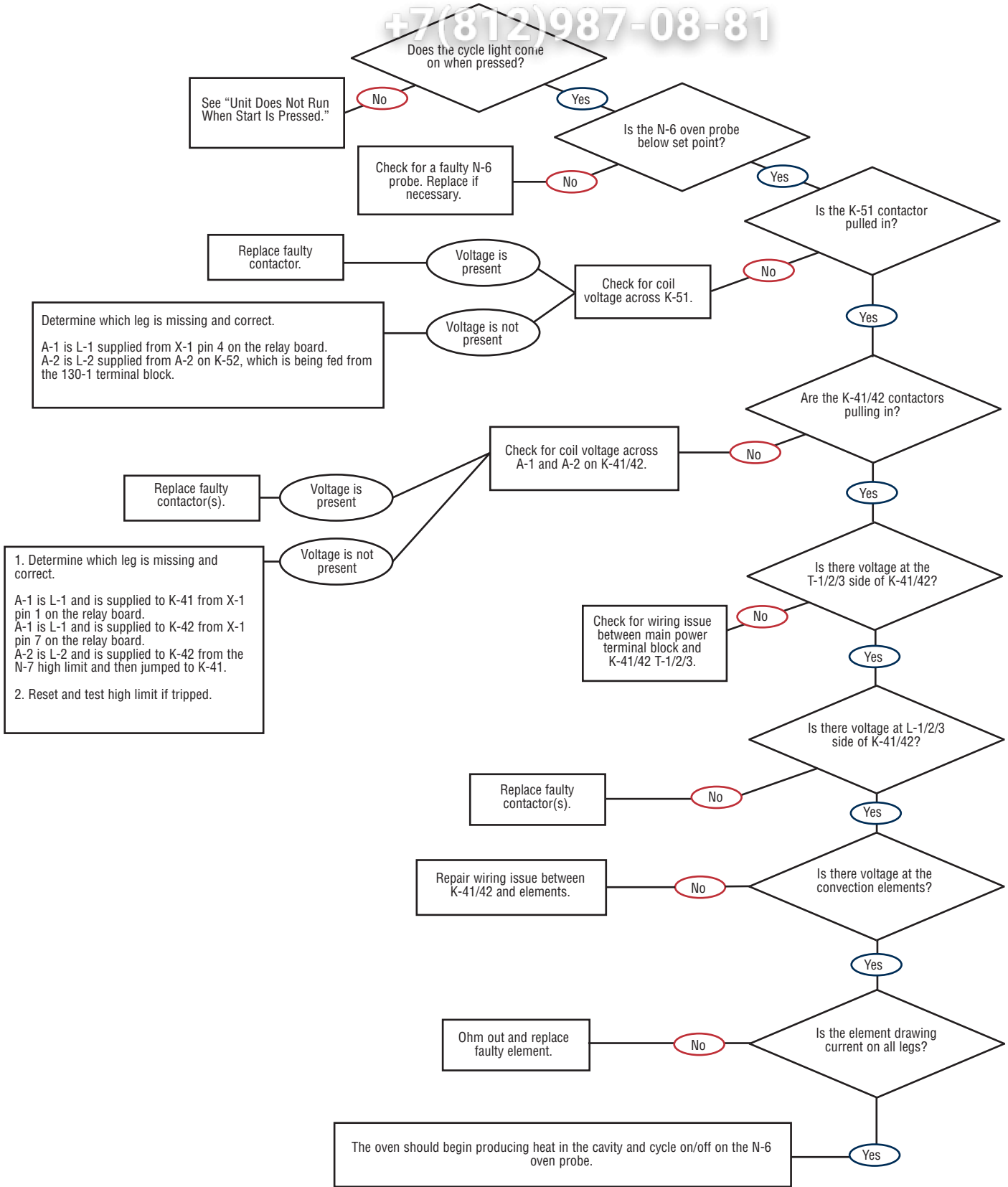


# TROUBLESHOOTING TRENDS

## ESi — No Heat in Convection Mode

vsezip.ru

+7(812)987-08-81

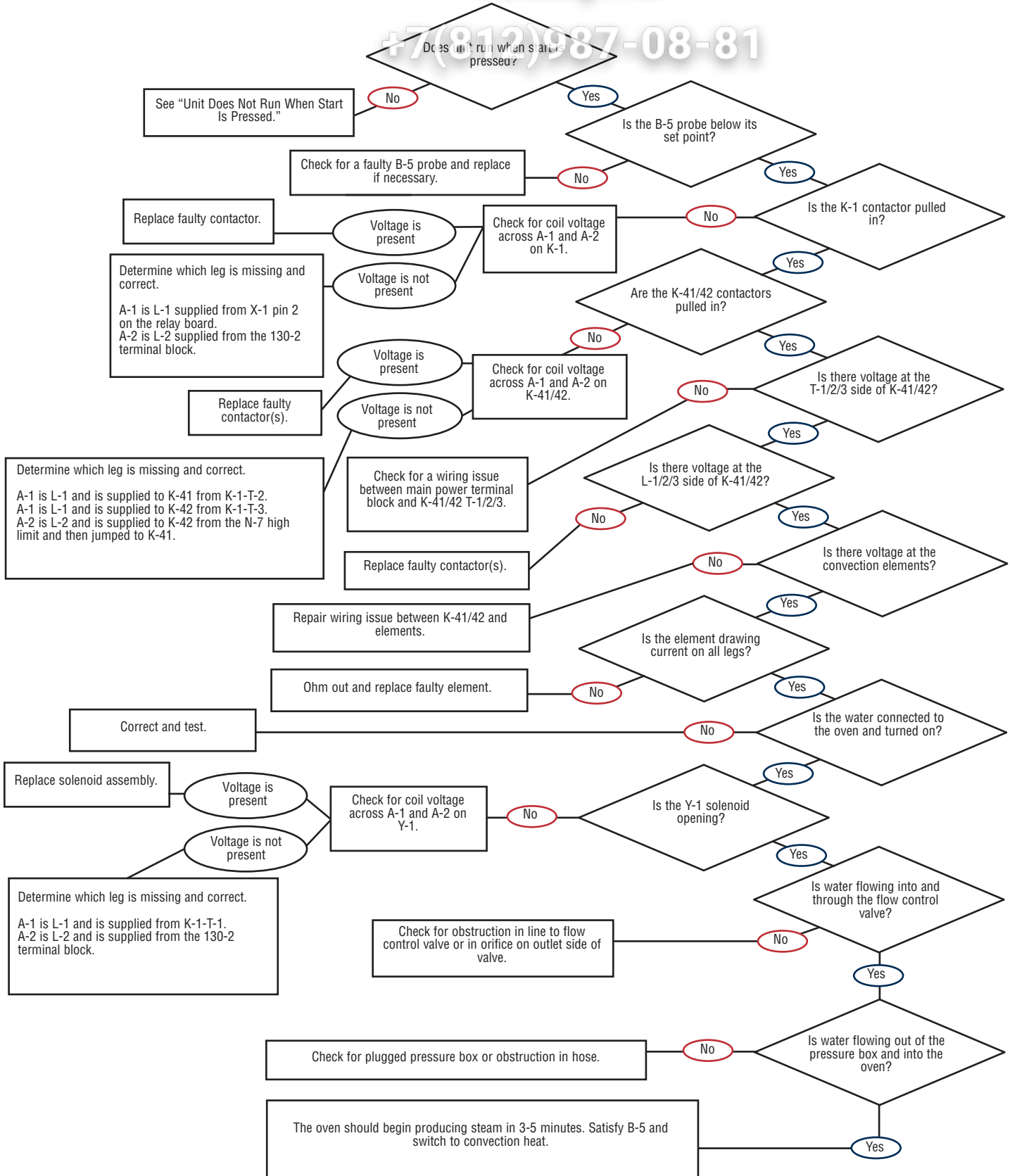


# TR TROUBLESHOOTING TREES

## ESi — No Steam Production in Combination Mode

vsezip.ru

+7(812)987-08-81

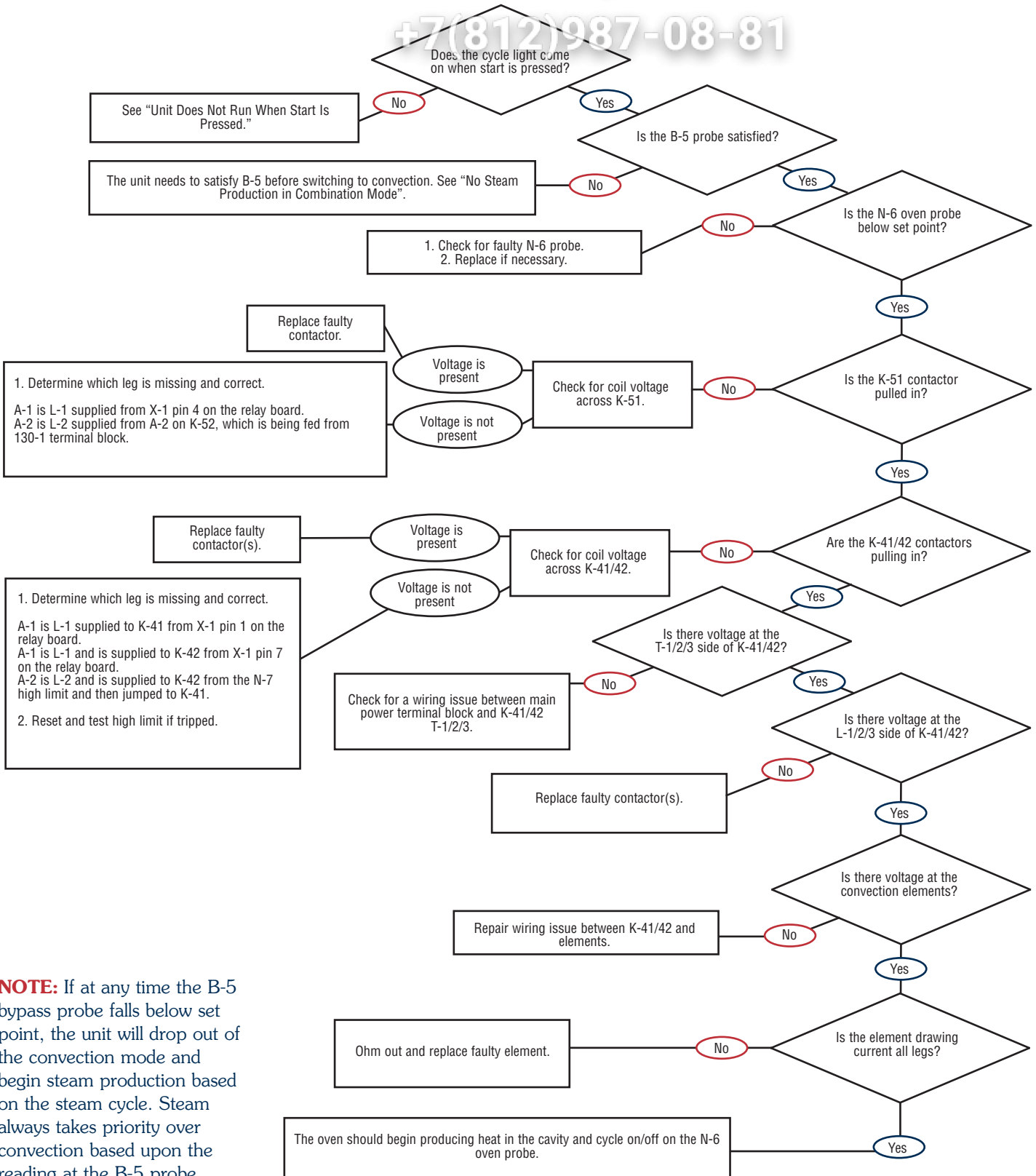


# TROUBLESHOOTING TREE

## ESi — No Convection Heat in Combination Mode

vsezip.ru

+7(812)987-08-81



**NOTE:** If at any time the B-5 bypass probe falls below set point, the unit will drop out of the convection mode and begin steam production based on the steam cycle. Steam always takes priority over convection based upon the reading at the B-5 probe.

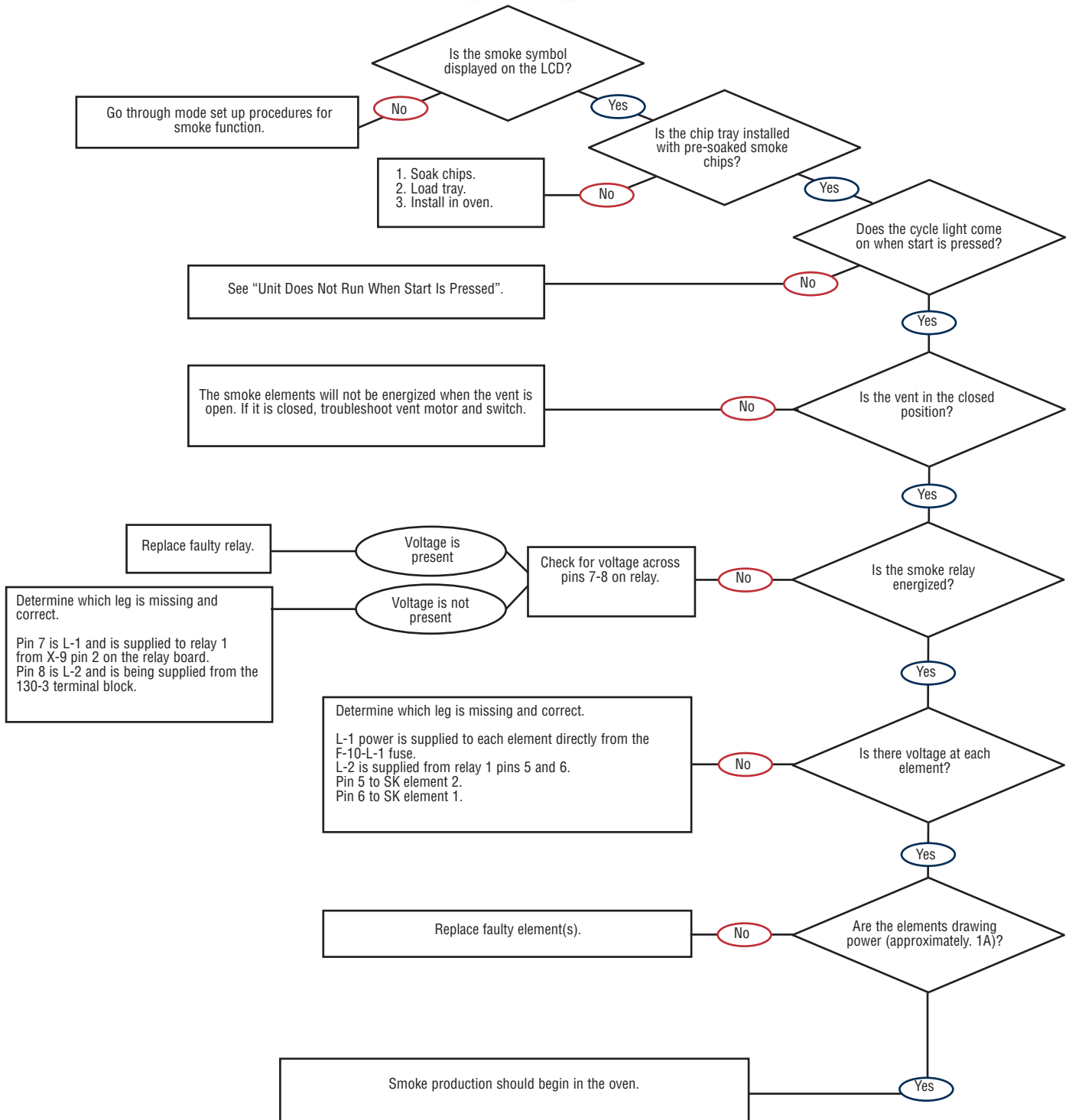


# TRUBLESHOOTING TREES

## ESi — No Smoke Production When Smoke Is Selected in Convection

vsezip.ru

+7(812)987-08-81

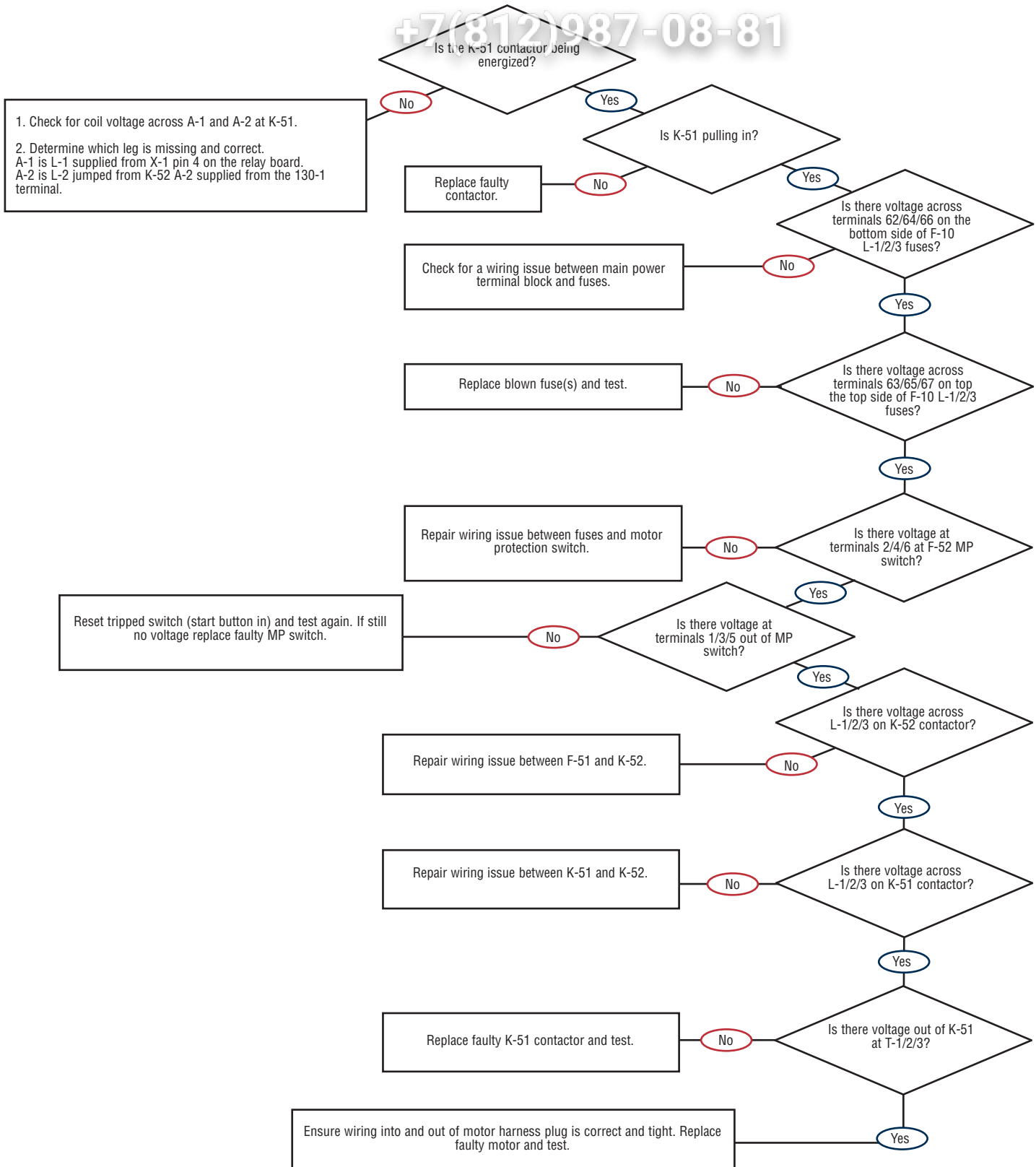


# ТРУБЛШОТИВНИ ОБЩЕВИТ

## ESi — No Motor Operation

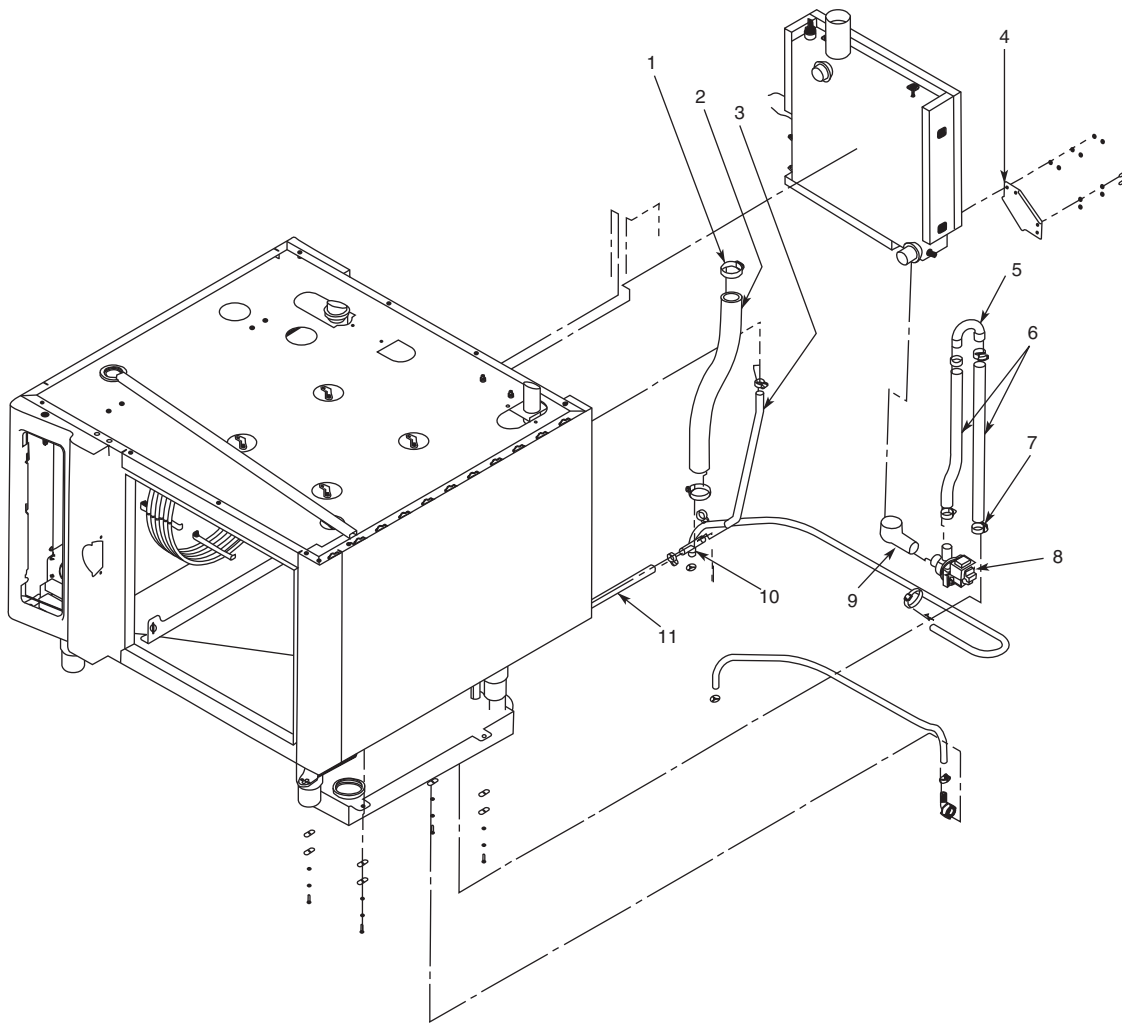
vsezip.ru

+7(812)987-08-81



**COMBITHERM PARTS**

|   |     |
|---|-----|
| ES Rear Service Parts .....                                 | 92  |
| ES Left-Hand Side Service Parts .....                       | 93  |
| ES Condensation Tank .....                                  | 94  |
| ESi Rear Service Parts.....                                 | 95  |
| ESi Left-Hand Side Service Parts.....                       | 96  |
| ESi Condensation Tank .....                                 | 97  |
| Sprayer Holder Assembly .....                               | 98  |
| Oven Light Assembly .....                                   | 98  |
| Top Hinge Assembly .....                                    | 98  |
| Basic Control.....  | 99  |
| Deluxe Control .....  | 100 |
| Simple Control .....  | 101 |
| Combitherm Motor .....                                      | 102 |
| <i>For model-specific parts, see Parts Information for:</i> |     |
| 6.10 ES .....   | 103 |
| 6.10 ESi .....  | 117 |
| 6.10 ESiN .....   | 131 |
| 10.10 ES .....  | 145 |
| 10.10 ESi .....   | 159 |
| 10.10 ESiN .....  | 173 |
| 7.14 ES .....   | 187 |
| 7.14 ESi .....  | 203 |
| 10.18 ES .....  | 217 |
| 10.18 ESi .....   | 229 |
| Return to Main Table of Contents .....                      | 3   |

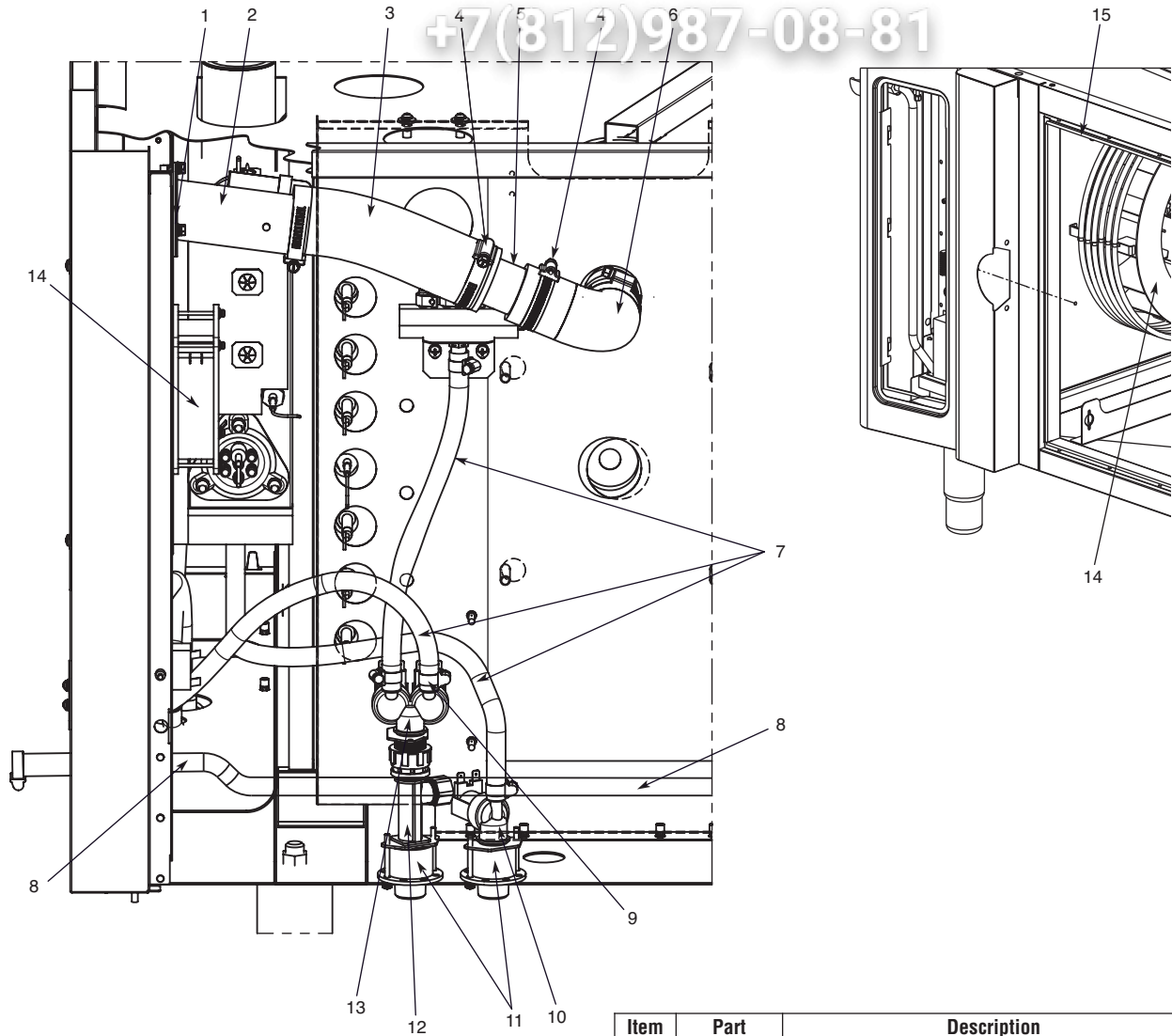


| Item | Part     | Description       |
|------|----------|-------------------|
| 1    | CM-22794 | Clamp             |
| 2    | HO-27891 | Hose, 1-7/8" Dia. |
| 3    | HO-2957  | Hose              |
| 4    | 1000719  | Pump Bracket      |
| 5    | PB-26512 | Plumbing Probe    |
| 6    | HO-27892 | Hose, 7/8" Dia.   |
| 7    | CM-27190 | Tube Clamp        |
| 8    | DA-24973 | Drain Pump        |
| 9    | EB-25106 | Elbow Drain       |
| 10   | EB-22221 | Elbow             |
| 11   | HO-2957  | Hose              |

## ES LEFT-HAND SIDE SERVICE PARTS

vsezip.ru

+7(812)987-08-81



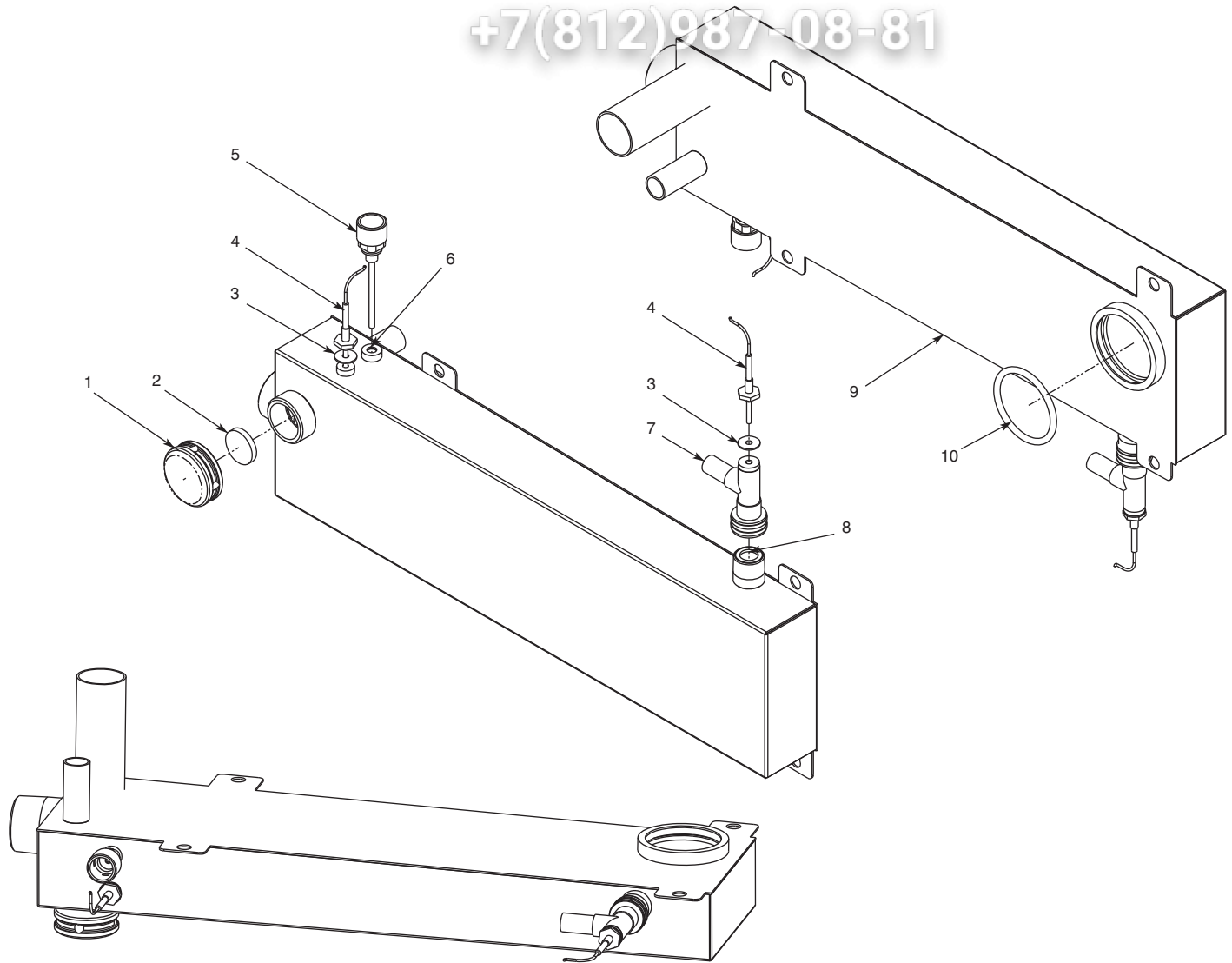
| Item | Part     | Description                           | Qty. |
|------|----------|---------------------------------------|------|
| 1    | SA-26890 | Seal, Pressure Valve                  | 1    |
| 2    | VA-26838 | Vent Assembly                         | 1    |
| 3    | HO-27891 | Hose, Air Intake                      | 1    |
| 4    | CL-22234 | Clamp, Worm Gear                      | 3    |
| 5    | FT-27406 | Fitting                               | 1    |
| 6    | EB-27207 | Elbow                                 | 1    |
| 7    | HO-22255 | Hose                                  | 3    |
| 8    | HO-27203 | Hose, Hand Shower Connection          | 1    |
| 9    | CM-28145 | Worm Gear, 1/2"                       | 12   |
| 10   | VA-34300 | Valve, Single Port                    | 1    |
| 11   | NP-27538 | Valve Holder Assembly                 | 1    |
| 12   | TE-27204 | Tee                                   | 1    |
| 13   | VA-34045 | Valve, Double Port                    | 1    |
| 14   | WH-26645 | Fan Wheel, 6.10 ES, 10.10 ES, 7.14 ES | 1    |
| 14   | WH-26642 | Fan Wheel, 12.20 ES, 20.20 ES         | 1    |
| 15   | GS-26636 | Gasket, 6.10 ES                       | 1    |
| 15   | GS-26638 | Gasket, 10.10/10.18 ES                | 1    |
| 15   | GS-26639 | Gasket, 7.14 ES                       | 1    |
| 15   | GS-26640 | Gasket, 12.20 ES                      | 1    |

# PARTS INFORMATION

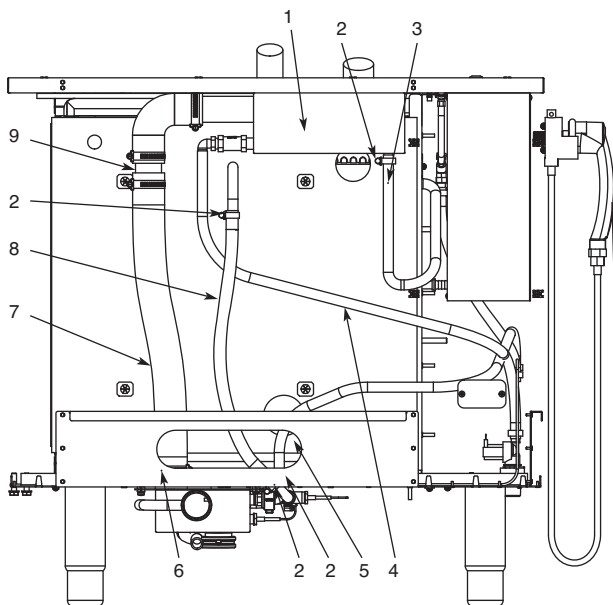
## ES CONDENSATION TANK

vsezip.ru

+7(812)987-08-81



| Item | Part     | Description   | Qty. |
|------|----------|---|------|
| 1    | CP-22758 | Outlet, Steam Generator, 303-304 S/S                      | 1    |
| 2    | WS-22752 | Silicone, Seal, 32 mm FDA, 500F Temp.                     | 1    |
| 3    | SA-25061 | CT, T-Couple Probe, ML Combi                              | 2    |
| 4    | PR-33751 | CT, ML Combi, Thermocouple, 3050 mm Wire Length, ML Combi | 2    |
| 5    | 5000284  | Inject, Nozzle Condensor Weld                             | 1    |
| 6    | SA-22209 | O-Ring, 8 x 3 mm V75 Vitan 75 Durometer                   | 1    |
| 7    | PB-26512 | Measure Probe   | 1    |
| 8    | WS-22207 | CT, Seal, 3/4 x 2, Flat Vulcan Fiber                      | 1    |
| 9    | 5004529  | Condensor Tank Welding                                    | 1    |
| 10   | SA-22212 | CT, O-Ring, Red, Silicone 70 Dur, 225C, 59.6 x 5.33 mm    | 1    |



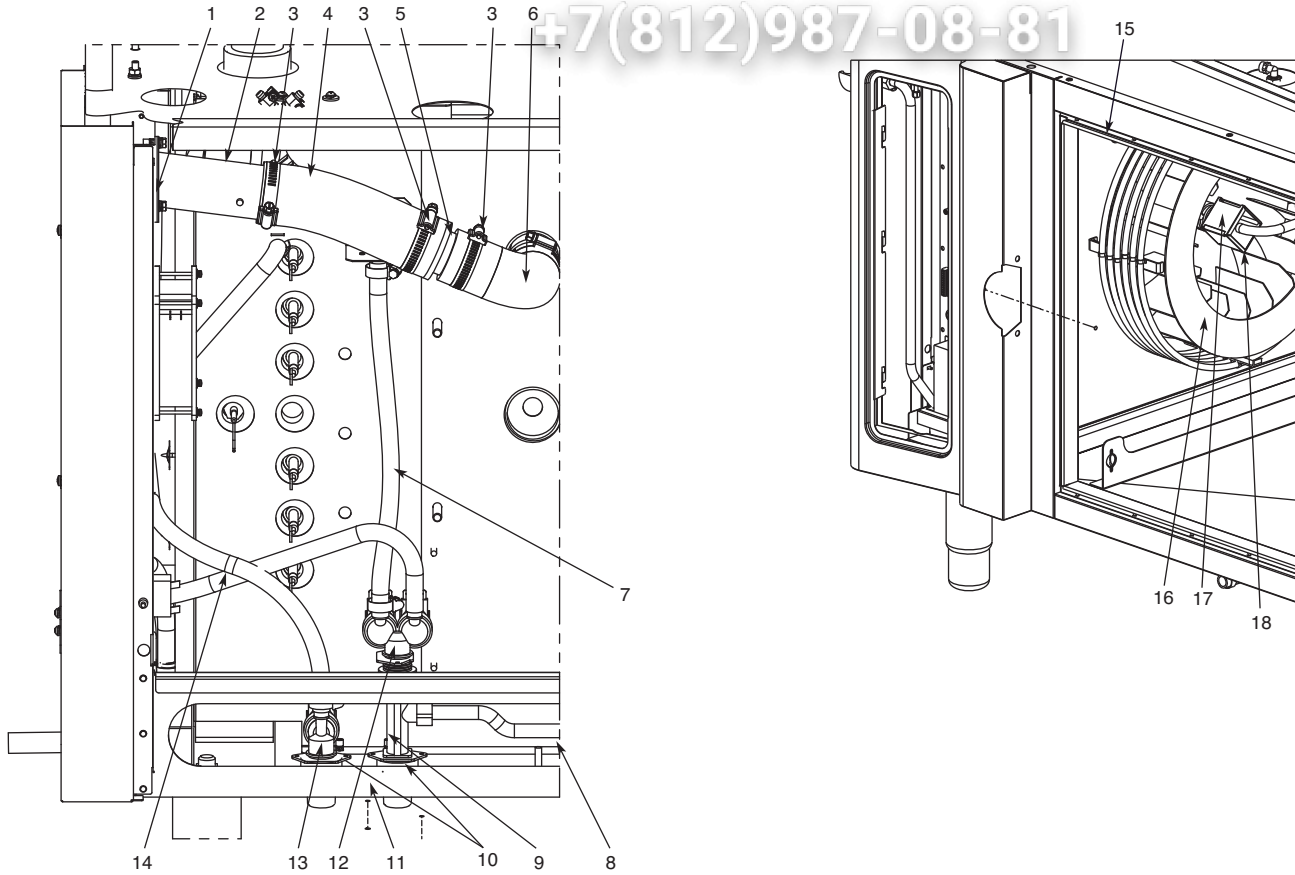
| Item | Part     | Description                   | Qty. |
|------|----------|-------------------------------|------|
| 1    | 5005009  | Pressure Box Assembly         | 1    |
| 2    | FT-28124 | Worm Gear, 1/2"               | 13   |
| 3    | HO-27893 | Hose, Injector                | 1    |
| 4    | HO-22255 | Hose, Pressure Box            | 1    |
| 5    | HO-27890 | Hose, Condenser Cooling       | 1    |
| 6    | CL-22234 | Clamp, Worm Gear, 40-60, Hose | 8    |
| 7    | HO-27891 | Hose, Condenser               | 1    |
| 8    | HO-27893 | Hose, Bypass                  | 1    |
| 9    | FT-27406 | Vent, Condensate Tank         | 2    |

# PARTS INFORMATION

## ESi LEFT-HAND SIDE SERVICE PARTS

vsezip.ru

+7(812)987-08-81



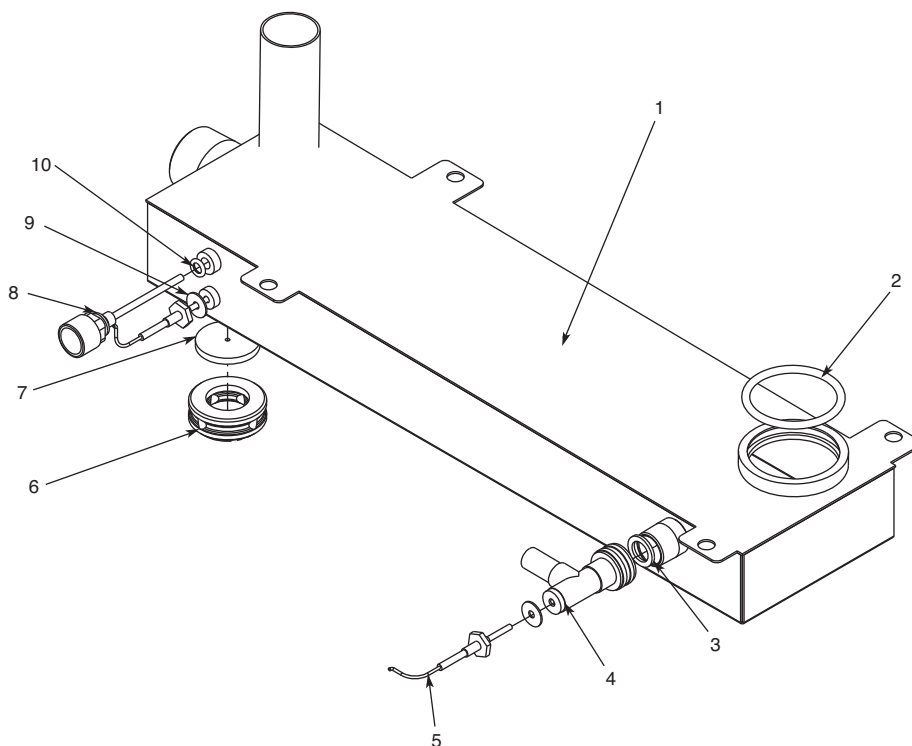
| Item | Part     | Description   | Qty. |
|------|----------|---|------|
| 1    | SA-26890 | Seal, Pressure Valve                                | 1    |
| 2    | VA-26838 | Pressure Valve                                      | 1    |
| 3    | CL-22234 | Clamp, Worm Gear, 40-60, Hose                       | 8    |
| 4    | HO-27891 | Hose, Air Intake                                    | 1    |
| 5    | FT-27406 | Vent, Condensate Tank                               | 2    |
| 6    | EB-27207 | Washer Drain Support                                | 2    |
| 7    | HO-22255 | Cleaning Hose                                       | 1    |
| 8    | HO-27203 | Hose, Hand Shower Connection                        | 1    |
| 9    | TE-27204 | Connector   | 1    |
| 10   | NP-27538 | Valve Holder Assembly                               | 2    |
| 11   | NU-22286 | M4-0.7 Hex Nut 18-8                                 | 4    |
| 12   | VA-34045 | Valve, Double Port                                  | 1    |
| 13   | VA-34300 | Valve, Single Port                                  | 1    |
| 14   | HO-22255 | Hose, Pressure Box                                  | 1    |
| 15   | GS-26635 | Gasket, 6.10 ESiN                                   | 1    |
| 15   | GS-26636 | Gasket, 6.10 ESi                                    | 1    |
| 15   | GS-26637 | Gasket, 10.10 ESiN                                  | 1    |
| 15   | GS-26638 | Gasket, 10.10/10.18 ESi                             | 1    |
| 15   | GS-26639 | Gasket, 7.14 ESi                                    | 1    |
| 16   | WH-26645 | Fan Wheel, 6.10 ESi, 10.10 ESi, 7.14 ESi, 10.18 ESi | 1    |
| 17   | SC-23737 | M5 X 10, Hex, HD Cap #18-8, No Slot                 | 1    |
| 18   | 1001204  | Disintegration Box                                  | 1    |



## ESi CONDENSATION TANK

vsezip.ru

+7(812)987-08-81

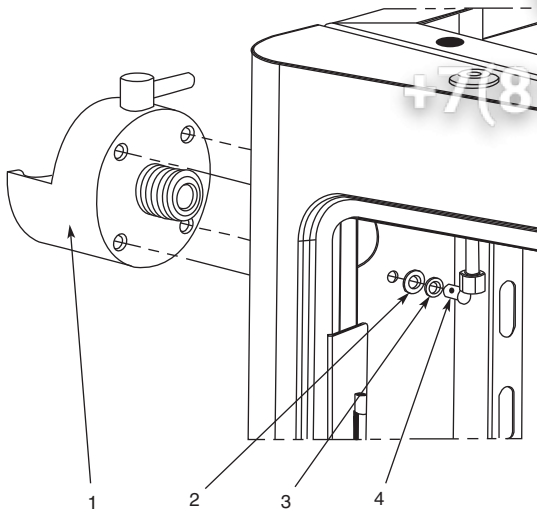


| Item | Part     | Description   | Qty. |
|------|----------|---|------|
| 1    | 5007092  | Condensor Tank  | 1    |
| 2    | SA-22212 | CT, O-Ring, Red, Silicone 70 Dur., 225 C, 59.6 x 5.33 mm            | 1    |
| 3    | WS-22207 | CT, Seal, 3/4 x 2, Flat Vulcan Fiber                                | 1    |
| 4    | PB-26512 | Measure Probe   | 1    |
| 5    | PR-33751 | CT, ML Combitherm, Thermocouple, 3050 mm Wire Length, ML Combitherm | 2    |
| 6    | CP-22758 | Outlet, Steam Generator, 303-304 S/S                                | 1    |
| 7    | WS-22751 | Silicone, Seal, 45 mm FDA, 500 F Temp.                              | 1    |
| 8    | 5000284  | Injection Nozzle  | 1    |
| 9    | SA-25061 | CT, T-Couple Probe, ML Combitherm                                   | 2    |
| 10   | SA-22209 | O-Ring, 8 x 3 mm V75 Vitan 75 Durometer                             | 1    |

# PARTS INFORMATION

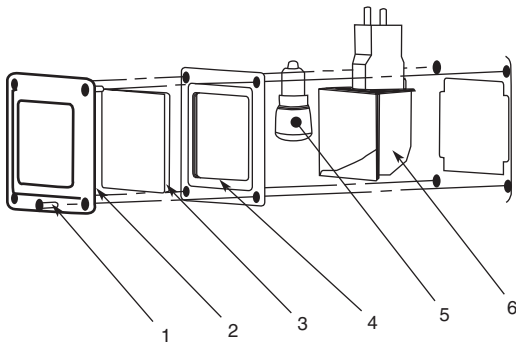
## СПИСОК ЗАПАСНЫХ ЧАСТЕЙ

### SPRAYER HOLDER ASSEMBLY



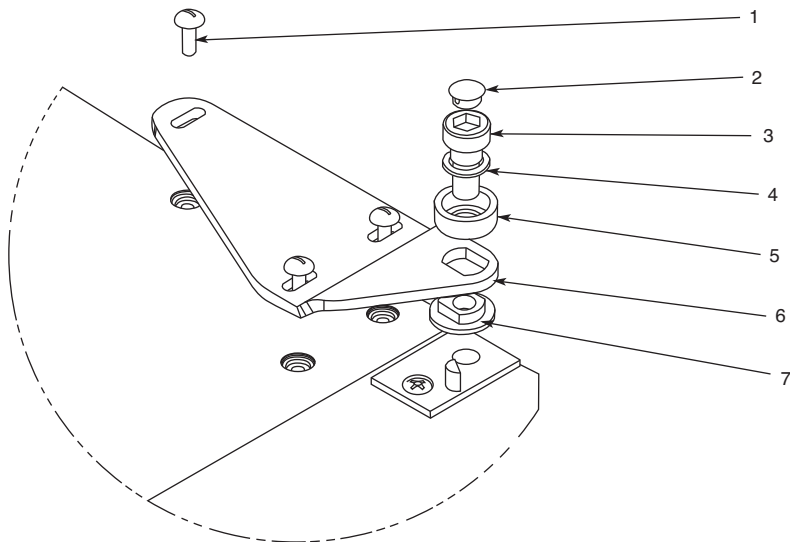
| Item | Part     | Description        | Qty. |
|------|----------|--------------------|------|
| 1    | PB-26960 | Hand Shower Holder | 1    |
| 2    | WS-22295 | Flat Washer        | 4    |
| 3    | WS-22301 | Locking Washer     | 4    |
| 4    | SC-22766 | Philips Screw      | 4    |

### OVEN LIGHT

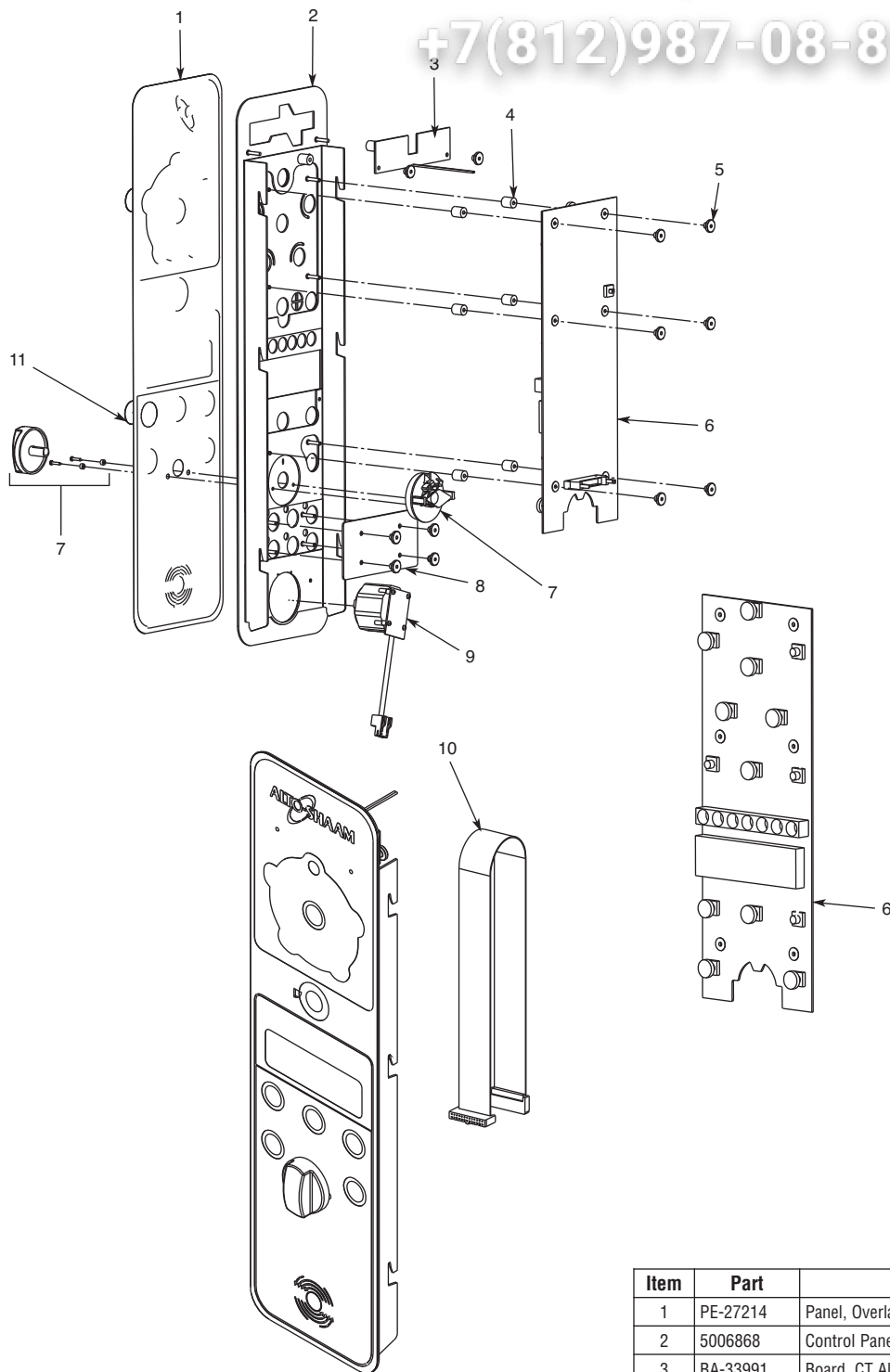


| Item | Part     | Description       | Qty. |
|------|----------|-------------------|------|
| 1    | SC-23141 | Screw             | 4    |
| 2    | CV-26607 | Oven Light Cover  | 1    |
| 3    | GL-26608 | Oven Light Glass  | 1    |
| 4    | GS-26609 | Oven Light Gasket | 1    |
| 5    | LP-34206 | Light, 15W Bulb   | 1    |
| 6    | LP-34161 | Light, Snap-In    | 1    |

### TOP HINGE ASSEMBLY



| Item | Part     | Description       | Qty. |
|------|----------|-------------------|------|
| 1    | SC-28256 | Screw, Hex Head   | 3    |
| 2    | PG-25132 | Plug              | 1    |
| 3    | SC-25102 | Screw             | 1    |
| 4    | WS-25478 | Washer, Serrated  | 1    |
| 5    | WS-25127 | Covering Washer   | 1    |
| 6    | HG-25099 | Upper Hinge Plate | 1    |
| 7    | WS-25124 | Block Washer      | 1    |



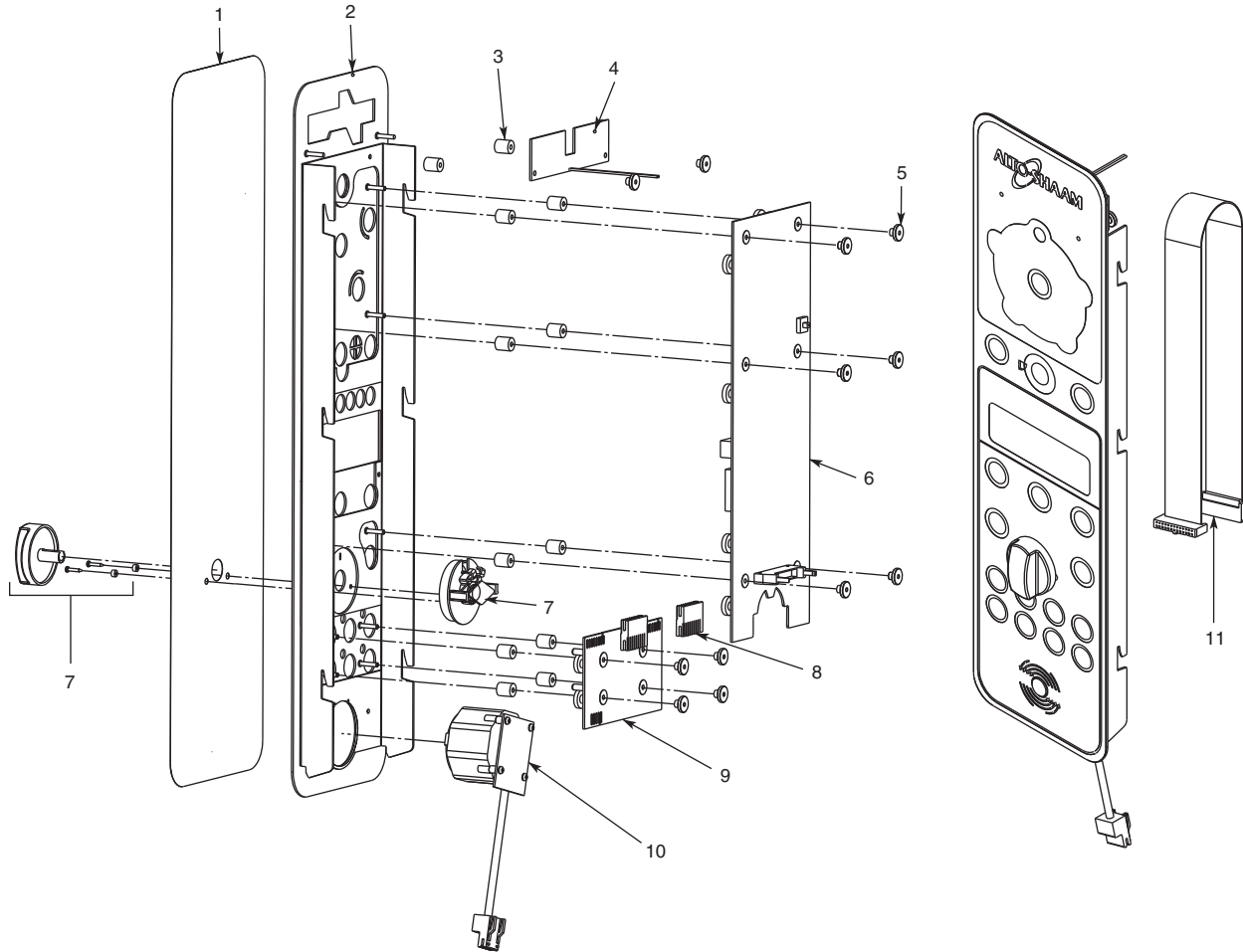
| Item | Part     | Description                      | Qty. |
|------|----------|----------------------------------|------|
| 1    | PE-27214 | Panel, Overlay, Standard         | 1    |
| 2    | 5006868  | Control Panel Spot               | 1    |
| 3    | BA-33991 | Board, CT Alto-Shaam Name, MLG's | 1    |
| 4    | BU-25094 | Bushing, CT, ML, Brass, Distance | 8    |
| 5    | NU-25095 | Knurled M3 High A2 S/S           | 12   |
| 6    | BA-34313 | Board, Operation                 | 1    |
| 7    | 5007610  | Control Knob Assembly            | 1    |
| 8    | 1001128  | Control Cover - Optional         | 1    |
| 9    | BA-33733 | Board, LED, Closed System        | 1    |
| 10   | CB-34033 | Cable, Communication             | 1    |

# PARTS INFORMATION **Всё по цепит**

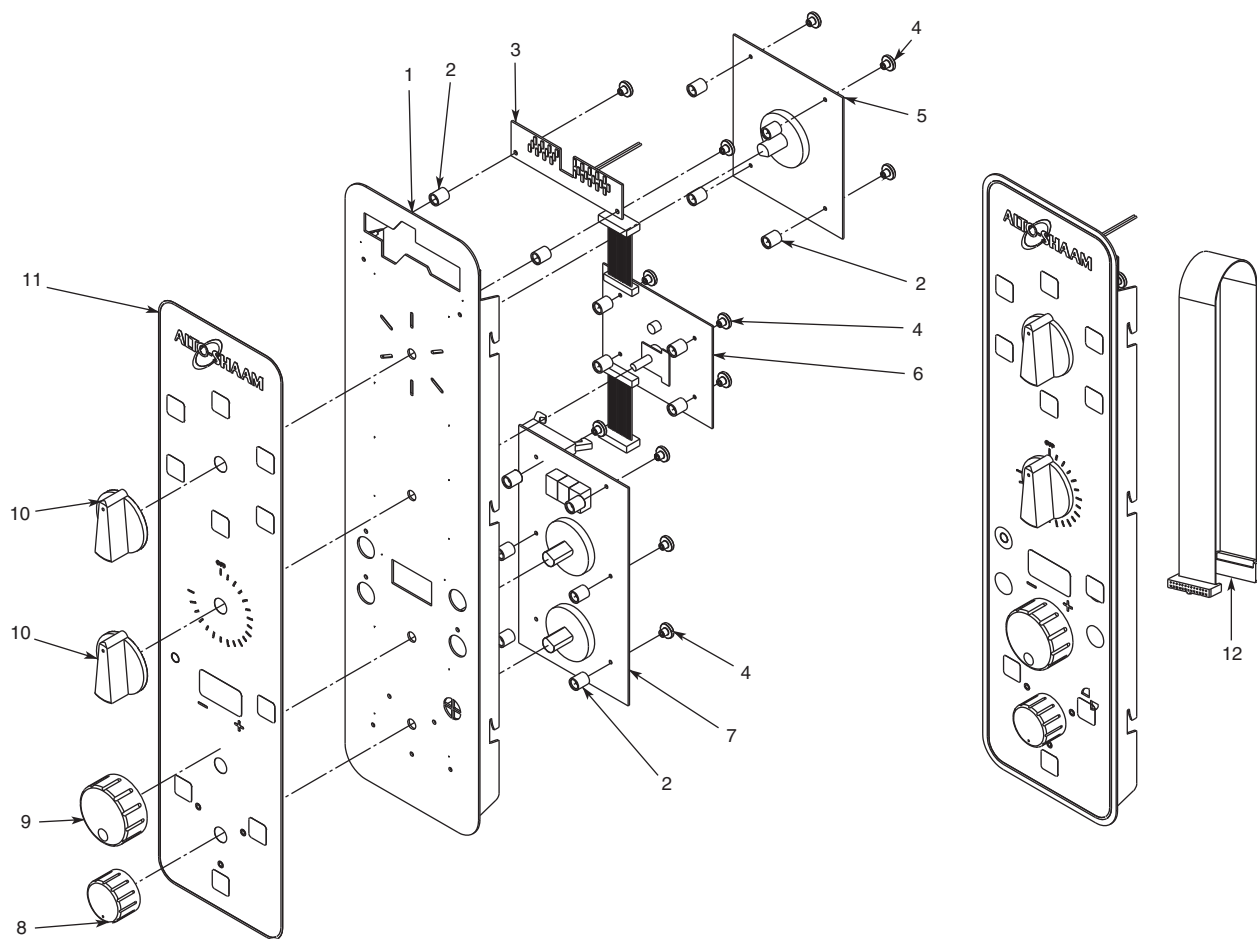
DELUXE CONTROL

vsezip.ru

+7(812)987-08-81



| Item | Part     | Description                      | Qty. |
|------|----------|----------------------------------|------|
| 1    | PE-27215 | Panel, Overlay, Deluxe           | 1    |
| 2    | 5006868  | Control Panel Spot               | 1    |
| 3    | BU-25094 | Bushing, CT, ML, Brass, Distance | 12   |
| 4    | BA-33991 | Board, CT Alto-Shaam Name, MLG's | 1    |
| 5    | NU-25095 | Knurled M3 High A2 S/S           | 12   |
| 6    | BA-34313 | Board, Operation                 | 1    |
| 7    | 5007610  | Control Knob Assembly            | 1    |
| 8    | CR-33743 | Connector                        | 2    |
| 9    | BA-33742 | Board, Program                   | 1    |
| 10   | BA-33733 | Board, LED, Closed System        | 1    |
| 11   | CB-34033 | Cable, Communication             | 1    |



| Item | Part     | Description                               | Qty. |
|------|----------|---|------|
| 1    | 5005847  | Simple Control Panel                      | 1    |
| 2    | BU-25094 | Bushing, CT, ML, Brass, Distance          | 16   |
| 3    | BA-33991 | Board, CT, Alto-Shaam Name, MLG's         | 1    |
| 4    | NU-25095 | Knurled M3 High A2 S/S                    | 16   |
| 5    | BA-34030 | Board, Program, "S" BM-P, MLS's           | 1    |
| 6    | BA-34029 | Board Temperature "S" BM-T, MLS's         | 1    |
| 7    | BA-34342 | Board, Speed/Timer, "S", BMS 2006         | 1    |
| 8    | KN-34035 | Knob, Fan Speed                           | 1    |
| 9    | KN-34036 | Knob, Timer, Combitherm MLS               | 1    |
| 10   | KN-34037 | Knob, Program/Temperature, Combitherm MLS | 2    |
| 11   | PE-27213 | Overlay, Simple Control                   | 1    |
| 11   | PE-27570 | Overlay, Simple Control, Smoker Option    | 1    |
| 12   | CB-34033 | Cable, Communication                      | 1    |

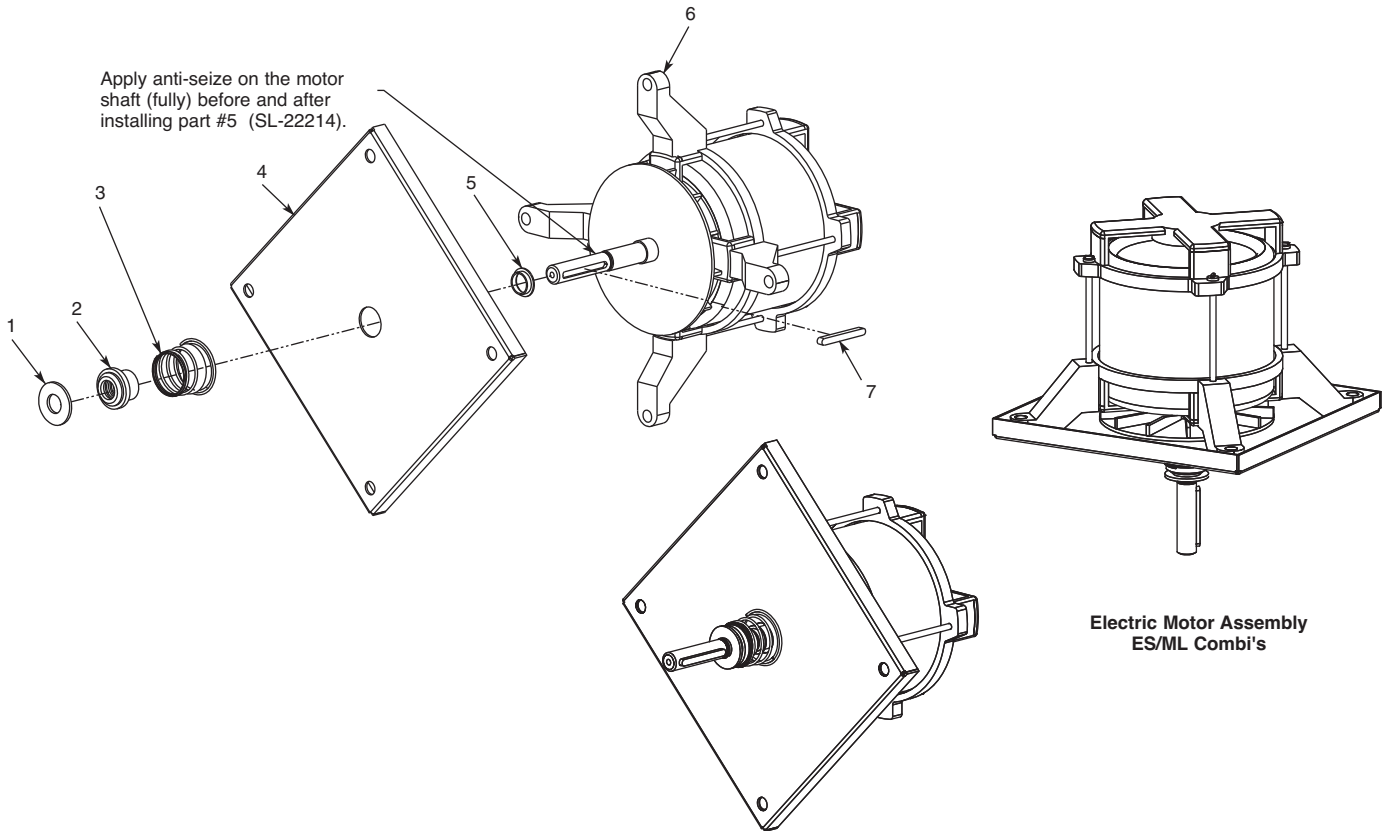
# PARTS INFORMATION

## COMBITHERM MOTOR

vsezip.ru

+7(812)987-08-81

Please Verify Correct Voltage Motor



| Item | Part     | Description                   | Qty. |
|------|----------|-------------------------------|------|
| 1    | WS-22217 | 1.25 OD Washer                | 1    |
| 2    | BU-22213 | Bushing, CT, 30D, Motor Shaft | 1    |
| 3    | SD-23939 | Spring                        | 1    |
| 4    | 1000716  | Motor Baffle                  | 1    |
| 5    | SL-22214 | Motor, Defle, Phosphor Bronze | 1    |
| 6    | 5000276  | Motor, 208/230/240V           | 1    |
| 6    | 5000602  | Motor, 380/415/480V           | 1    |
| 7    | MO-22191 | Keyway, Motor                 | 1    |

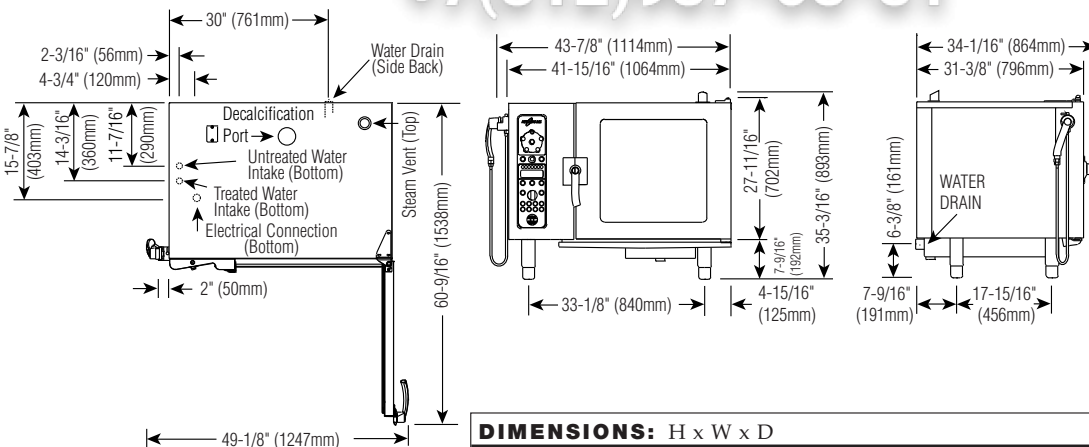
## SECTION CONTENTS

|  |                  |     |
|--|------------------|-----|
| Technical Data.....                    | vsezip.ru        | 104 |
| Parts Information.....                 | +7(812)987-08-81 | 105 |
| Door Assembly.....                     |                  | 105 |
| Recessed Door Assembly .....           |                  | 106 |
| Directional Panel Assembly .....       |                  | 107 |
| Steam Generator Assembly .....         |                  | 108 |
| Wiring and Ladder Diagrams .....       |                  | 109 |
| 208-240V 3PH 50/60 Hz Wiring .....     |                  | 109 |
| 208-240V 3PH 50/60 Hz Ladder.....      |                  | 110 |
| 440-480V 3PH 50/60 Hz Wiring .....     |                  | 111 |
| 440-480V 3PH 50/60 Hz Ladder.....      |                  | 112 |
| 380-415V 3PH 50 Hz Wiring .....        |                  | 113 |
| 380-415V 3PH 50 Hz Ladder .....        |                  | 114 |
| 208-240V 1PH 50/60 Hz Wiring .....     |                  | 115 |
| 208-240V 1PH 50/60 Hz Ladder.....      |                  | 116 |
| Return to Main Table of Contents ..... |                  | 3   |

## 6•10 ES SPECIFICATIONS



+7(812)987-08-81



|  |  |
|--|--|
| <b>DIMENSIONS: H x W x D</b>           |  |
| <b>EXTERIOR:</b>                       | 35-3/16" x 43-7/8" x 34-1/16" (893mm x 1114mm x 864mm) |
| <b>EXTERIOR WITH RETRACTABLE DOOR:</b> | 35-3/16" x 47-7/8" x 34-1/16" (893mm x 1216mm x 864mm) |
| <b>INTERIOR:</b>                       | 17-3/4" x 23-1/2" x 21-1/16" (450mm x 597mm x 535mm)   |

|   |
|---|
| <b>INSTALLATION REQUIREMENTS</b>  |
| Oven must be installed level.<br>Hood installation is required.<br>Water supply shut-off valve and back-flow preventer. |

|   |
|---|
| <b>WATER REQUIREMENTS</b>                           |
| <b>TWO (2) COLD WATER INLETS - DRINKING QUALITY</b> |
| ONE (1) TREATED WATER INLET: 3/4" NPT*              |
| ONE (1) UNTREATED WATER INLET: 3/4" NPT*            |
| LINE PRESSURE: 30 to 90 psi 2.8 to 6.2 bar          |
| <b>WATER DRAIN: 1-1/2" CONNECTION WITH AIR GAP</b>  |
| * Can manifold off of one 3/4" line.                |

|  |   |
|--|---|
| <b>WATER QUALITY MINIMUM STANDARDS</b>   |   |
| USING A WATER SUPPLY NOT MEETING ALTO-SHAAM'S MINIMUM WATER QUALITY STANDARDS WILL VOID THIS WARRANTY. It is the responsibility of the purchaser to ensure that incoming water supply is compliant with the specifications listed through adequate treatment measures. Installation of the CombiGuard™ Water Filtration System is recommended, but this system may not address all water quality issues present. |   |
| <b>Contaminant</b>   | <b>Inlet Water Requirements (untreated water)</b> |
| Free Chlorine  | Less than 0.1 ppm (mg/L)                          |
| Hardness   | Less than 3 gpg (52 ppm)                          |
| Chloride   | Less than 30 ppm (mg/L)                           |
| pH   | 7.0 to 8.5  |
| Alkalinity   | Less than 50 ppm (mg/L)                           |
| Silica   | Less than 12 ppm (mg/L)                           |
| Total Dissolved Solids (tds)   | Less than 60 ppm                                  |

|   |
|---|
| <b>CLEARANCE REQUIREMENTS</b>   |
| <b>LEFT:</b> 6" (152mm) <b>PLUS SERVICE ACCESS: 18" (457mm) RECOMMENDED 20" (508mm) FROM HEAT PRODUCING EQUIPMENT</b> |
| <b>RIGHT:</b> 4" (102mm) <b>TOP:</b> 20" (508mm) FOR AIR MOVEMENT   |
| <b>BACK:</b> 4" (102mm) <b>BOTTOM:</b> 5-1/8" (130mm) FOR LEGS  |
| COUNTER-TOP INSTALLATIONS MUST MAINTAIN 4" (102mm) MINIMUM CLEARANCE FROM COUNTER SURFACE.                            |

|                   |                |              |                 |                    |             |           |
|-------------------|----------------|--------------|-----------------|--------------------|-------------|-----------|
| <b>ELECTRICAL</b> |                |              |                 |                    |             |           |
|                   | <b>VOLTAGE</b> | <b>PHASE</b> | <b>CYCLE/HZ</b> | <b>AWG</b>         | <b>AMPS</b> | <b>kW</b> |
| 208-240           | at 208         | 1*           | 50/60           | 2 Wire plus ground | 40.5        | 8.4       |
|                   | at 240         |              |                 | AWG 6              | 47.0        | 11.2      |
| 208-240           | at 208         | 3            | 50/60           | 3 Wire plus ground | 23.5/ph     | 8.4       |
|                   | at 240         |              |                 | AWG 8              | 27.0/ph     | 11.2      |
| 380-415           | at 380         | 3            | 50/60           | 4 Wire plus ground | 13.0/ph     | 8.4       |
|                   | at 415         |              |                 | AWG 12             | 16.0/ph     | 11.2      |
| 440-480           | at 440         | 3*           | 50/60           | 3 Wire plus ground | 20.0/ph     | 15.4      |
|                   | at 480         |              |                 | AWG 8              | 22.0/ph     | 18.4      |

\* ELECTRICAL SERVICE CHARGE APPLIES

|   |  |
|---|--|
| <b>WEIGHT</b>                             | <b>CAPACITY</b>  |
| <b>NET</b> 360 lb (163 kg)                | FULL-SIZE PANS: 20" x 12" x 2-1/2" Six (6)<br>GN 1/1: 530 x 325 x 65mm Six (6) |
| <b>SHIP</b> 484 lb (220 kg)               | HALF-SIZE SHEET PANS:* 18" x 13" x 1" Six (6)<br>ON WIRE SHELVES ONLY          |
| <b>CRATE</b> 40" x 48" x 40" EST.         | 72 lb (33 kg) MAXIMUM  |
| <b>DIMENSIONS:</b> (1016 x 1219 x 1016mm) | VOLUME MAXIMUM: 45 QUARTS (57 LITERS)  |

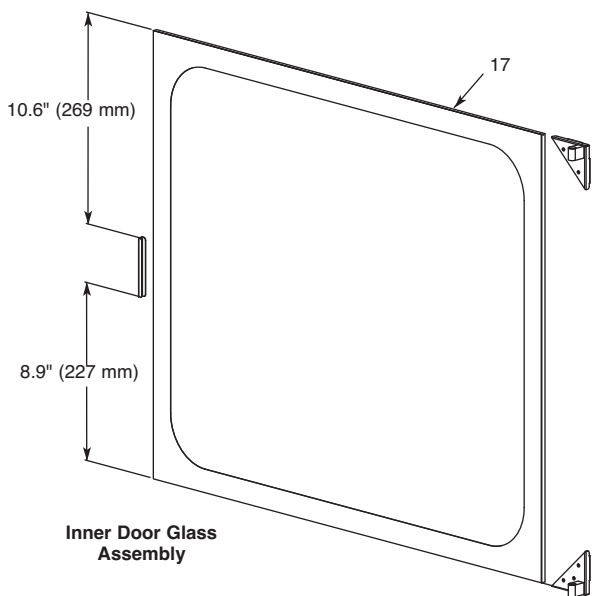
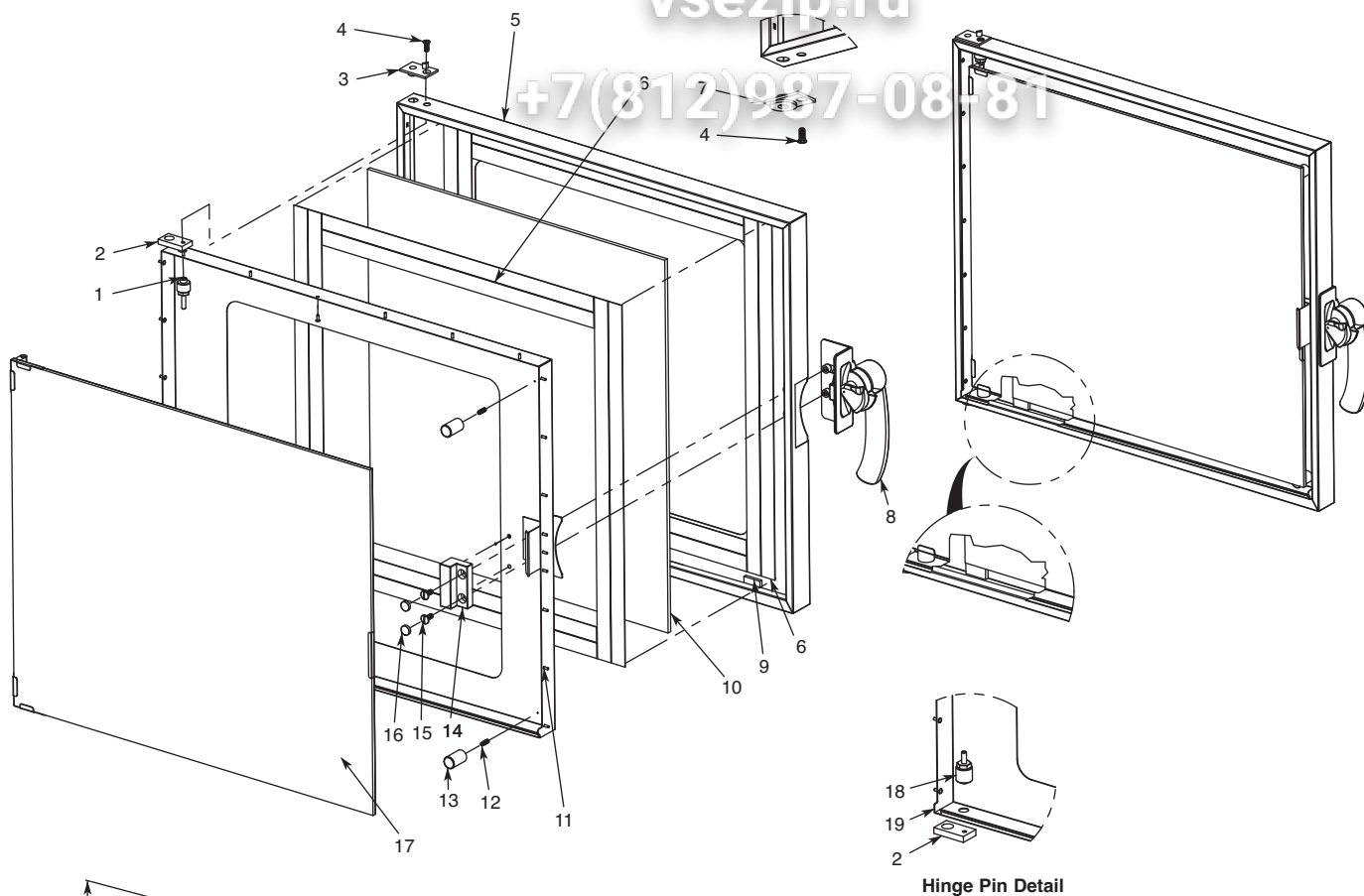
\* ADDITIONAL WIRE SHELVES REQUIRED FOR MAXIMUM CAPACITY



## DOOR ASSEMBLY

vsezip.ru

+7(812)987-08481



| Item | Part     | Description   | Qty. |
|------|----------|---|------|
| 1    | PI-26973 | Pin, Upper  | 1    |
| 2    | HG-25078 | Hinge, CT, Anchor, ML Combi                               | 2    |
| 3    | HG-25077 | Hinge, CT, Top Stop, ML Combi                             | 1    |
| 4    | SC-22282 | Screw, CT, 1.0X 16 mm, PH Oval, HD N/S 18-8, DIN # 966A   | 2    |
| 5    | 1005957  | Outer Panel, Door   | 1    |
| 6    | TA-25125 | Tape, Double Sided  | 2    |
| 7    | HG-25079 | Hinge, CT, Upper Ratchet, Combi                           | 1    |
| 8    | HD-26966 | Handle, Door, Right, Combi '06                            | 1    |
| 9    | BM-27116 | Bumper  | 2    |
| 10   | GL-27110 | Glass, Outer Door, 7.14 EP                                | 1    |
| 11   | RI-27108 | Rivet, Sealed   | 22   |
| 12   | SC-25091 | Screw, CT, M5X16, DIN 551, A2 S/S, SLTD Set Screw Flat PT | 2    |
| 13   | BM-27146 | Bumper Stop/Inner Door                                    | 2    |
| 14   | SP-27212 | Spacer, Window Latch                                      | 1    |
| 15   | SC-27125 | Screw, Truss Head, S/S                                    | 2    |
| 16   | PG-24789 | Plug, 15 mm   | 2    |
| 17   | 5005090  | Inner Door, Glass Assembly                                | 1    |
| 18   | PI-26974 | Pin, Lower  | 1    |
| 19   | 5005089  | Inner Door Spot RH  | 1    |
| *    | CL-27854 | Inner Door Latch  | 1    |

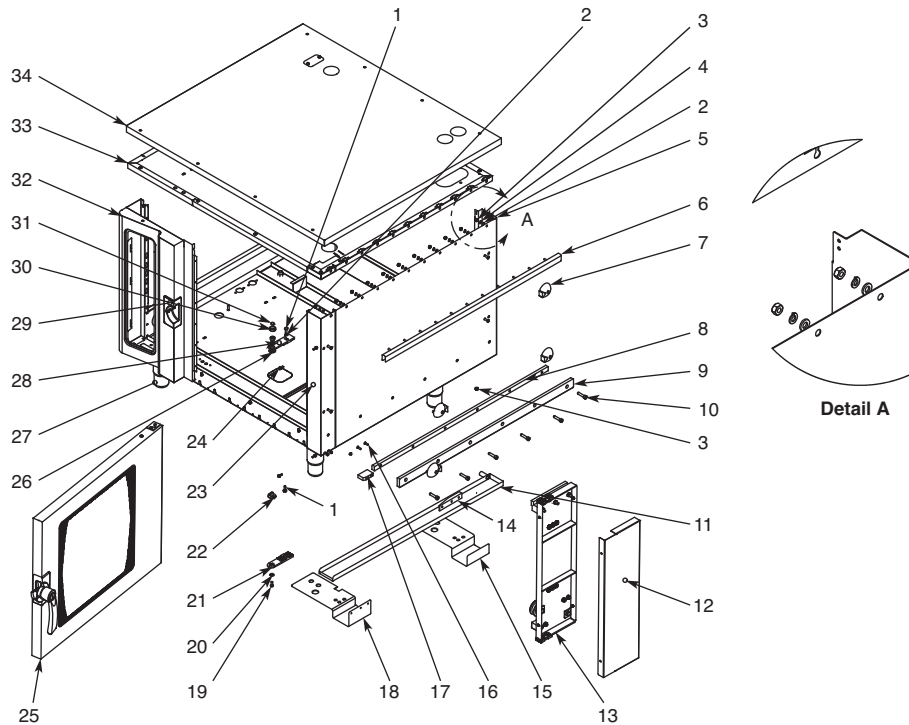
\*Item Not Shown

# PARTS INFORMATION

## РЕЦЕССИВНЫЙ ДВЕРНОЙ АССЕМБЛИ

vsezip.ru

+7(812)987-08-81



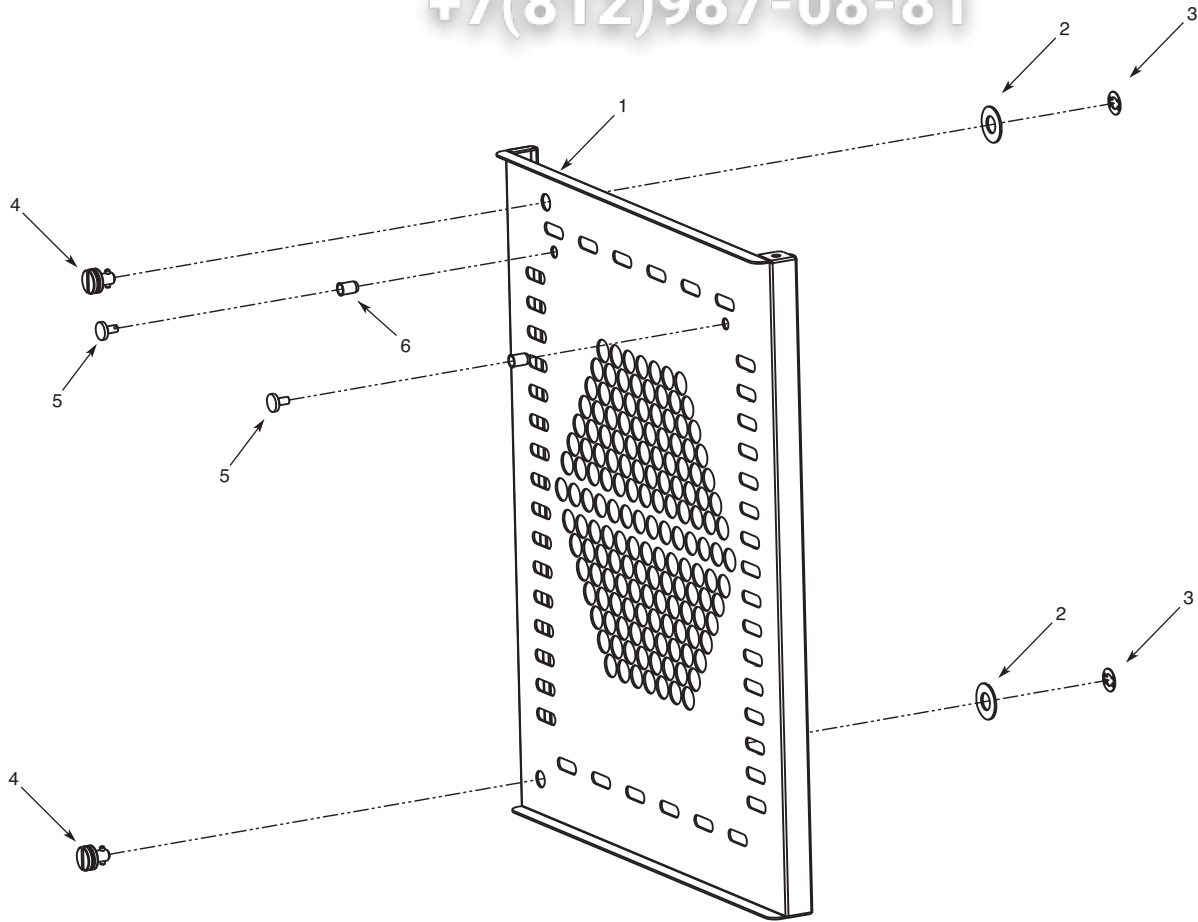
| Item | Part     | Description                    | Qty. |
|------|----------|--------------------------------|------|
| 1    | SC-22924 | M6 x 20 Hex Trim HD            | 2    |
| 2    | WS-22297 | Washer, Flat, M6, DIN 125      | 14   |
| 3    | NU-22291 | M6-1.0 x Hex S/S Nut 18-8      | 12   |
| 4    | WS-22302 | Washer, Lock, M6, DIN 127B     | 12   |
| 5    | 5008015  | Right Side Assembly            | 1    |
| 6    | 5007897  | Channel Assembly               | 1    |
| 7    | BK-27412 | Recessed Door Block            | 4    |
| 8    | RA-28207 | Rail, Top                      | 1    |
| 9    | RA-28208 | Rail, Bottom                   | 1    |
| 10   | SC-24388 | Screw, SHC M8 x 35 S/S         | 6    |
| 11   | 5007893  | Drip Pan Assembly              | 1    |
| 12   | 1008869  | Cover, Trolley                 | 1    |
| 13   | 5008001  | Trolley Assembly               | 1    |
| 14   | BK-22100 | White Teflon, Cart Guide Block | 1    |
| 15   | 1008505  | Rear Bracket, Recessed         | 1    |
| 16   | SC-22281 | Screw, M5 x 16 Flat Head CSink | 2    |
| 17   | BK-28252 | Block, Guide                   | 1    |

| Item | Part     | Description                | Qty. |
|------|----------|----------------------------|------|
| 18   | 1008506  | Front Bracket Recessed     | 1    |
| 19   | SC-22284 | Screw, M6 x 16 Hex S/S HD  | 1    |
| 20   | WS-22298 | Washer, M8, 18-8           | 1    |
| 21   | HG-28040 | Hinge                      | 1    |
| 22   | HG-25101 | Hinge, Lower Ratchet       | 1    |
| 23   | 5008014  | Front Corner Assembly      | 1    |
| 24   | SC-26060 | M5 x 16 Hex Head           | 4    |
| 25   | 5008004  | Door Assembly Recessed     | 1    |
| 26   | WS-25124 | Eccentric Washer           | 1    |
| 27   | LG-26867 | Legs, Combi                | 4    |
| 28   | HG-28041 | Hinge                      | 1    |
| 29   | LT-26968 | Latch, Door, Right         | 1    |
| 30   | WS-25127 | Covering Washer, For Hinge | 1    |
| 31   | PG-25132 | M12, (Black or Natural)    | 1    |
| 32   | PE-27559 | Front Panel Weld Assembly  | 1    |
| 33   | 5005065  | Fill In Cover Assembly     | 1    |
| 34   | 5007895  | Outer Cover Assembly       | 1    |

## DIRECTIONAL PANEL ASSEMBLY

vsezip.ru

+7(812)987-08-81



| Item | Part     | Description                     | Qty. |
|------|----------|---------------------------------|------|
| 1    | 1006677  | Directional Panel               | 1    |
| 2    | 1006601  | 16 GA Directional Panel Spacer  | 2    |
| 3    | WS-24090 | Holding (Lock Clip)             | 2    |
| 4    | CL-24089 | Clip, CT, ML, Lock, W/3 Washers | 2    |
| 5    | SC-22753 | Screw, SS Round, Hanging Rack   | 2    |
| 6    | NU-22770 | Nut, Threaded Insert, M6        | 2    |
| *    | 5005380  | Fan Panel Assembly              | 1    |

\*Item Not Shown

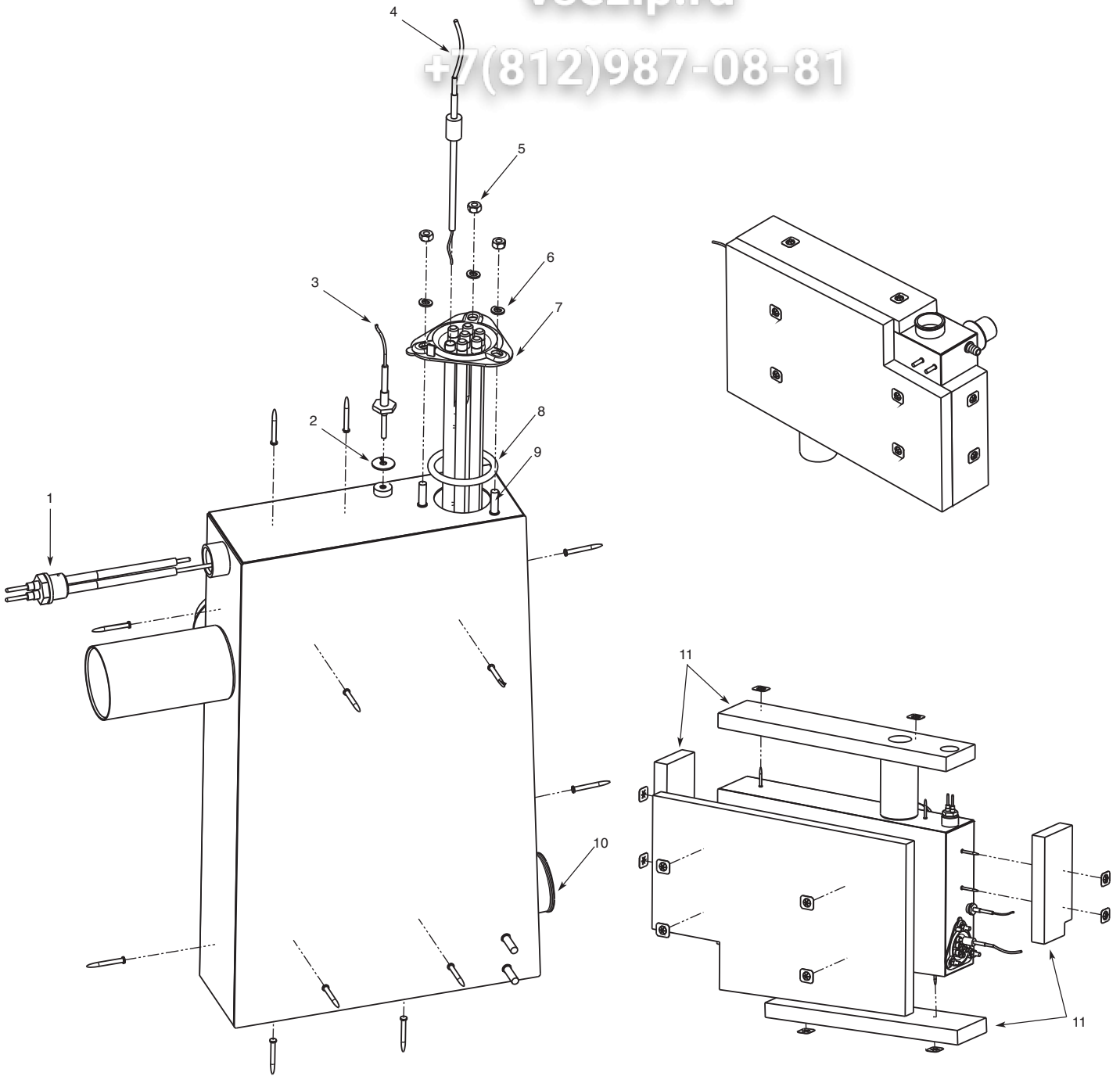
# PARTS INFORMATION

## Общепит

### STEAM GENERATOR ASSEMBLY

vsezip.ru

+7(812)987-08-81

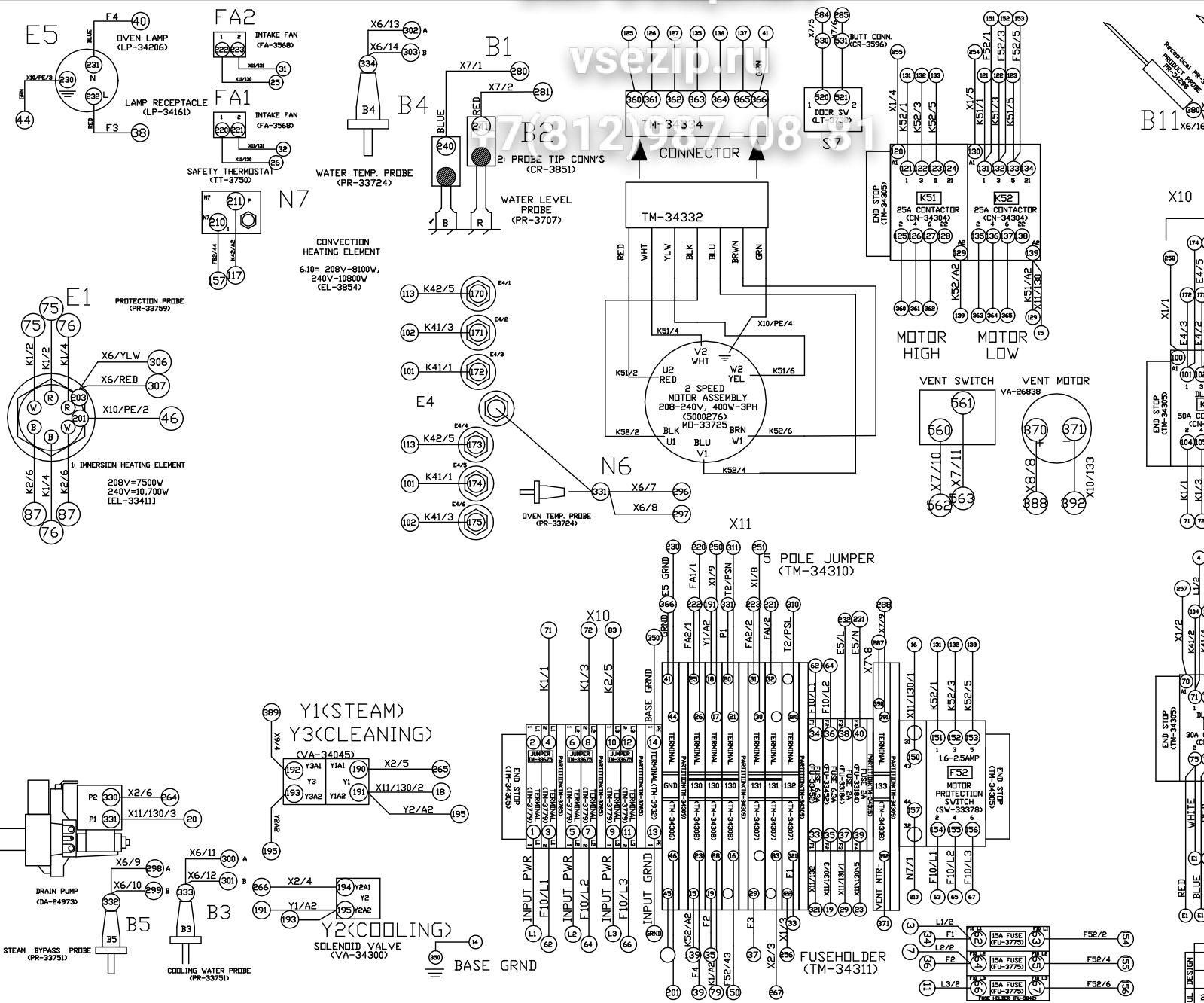


| Item | Part     | Description   | Qty. |
|------|----------|---|------|
| 1    | PR-3707  | CT, Water Lev. Lg 3/4" NPT Fitting, 316 S/S Electr. | 1    |
| 2    | SA-25061 | CT, T-Couple Probe                                  | 1    |
| 3    | PR-33724 | CT, Thermocouple, 1650 mm Wire Length               | 1    |
| 4    | PR-33759 | CT, Temperature Sensor                              | 1    |
| 5    | NU-22291 | M6-1.0 x Hex S/S Nut 18-8                           | 6    |
| 6    | WS-22302 | Washer, M6 DIN # 127B                               | 6    |
| 7    | EL-33411 | CT, Heater, Combi Immersion, 9kw, Flanged           | 1    |
| 8    | SA-23932 | O-Ring, 14 mm x 2.5 mm Viton                        | 2    |
| 9    | ST-22278 | Stud M6 x 20 mm                                     | 8    |
| 10   | 5005069  | Generator Tank                                      | 1    |
| 11   | IN-22265 | Insulation, Steam Gen                               | 1    |

# Зип Общежит

vsezip.ru

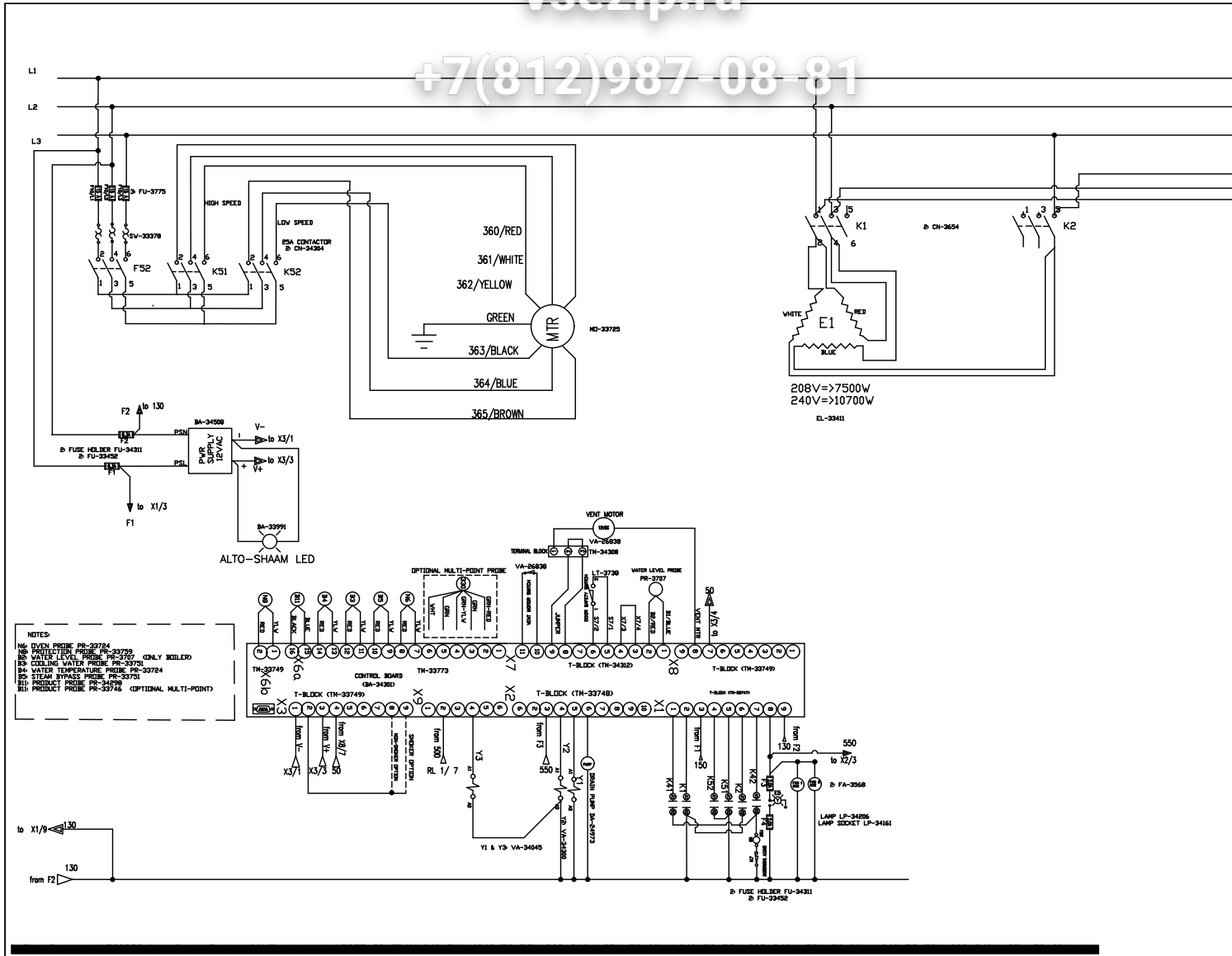
7(812)987-0831



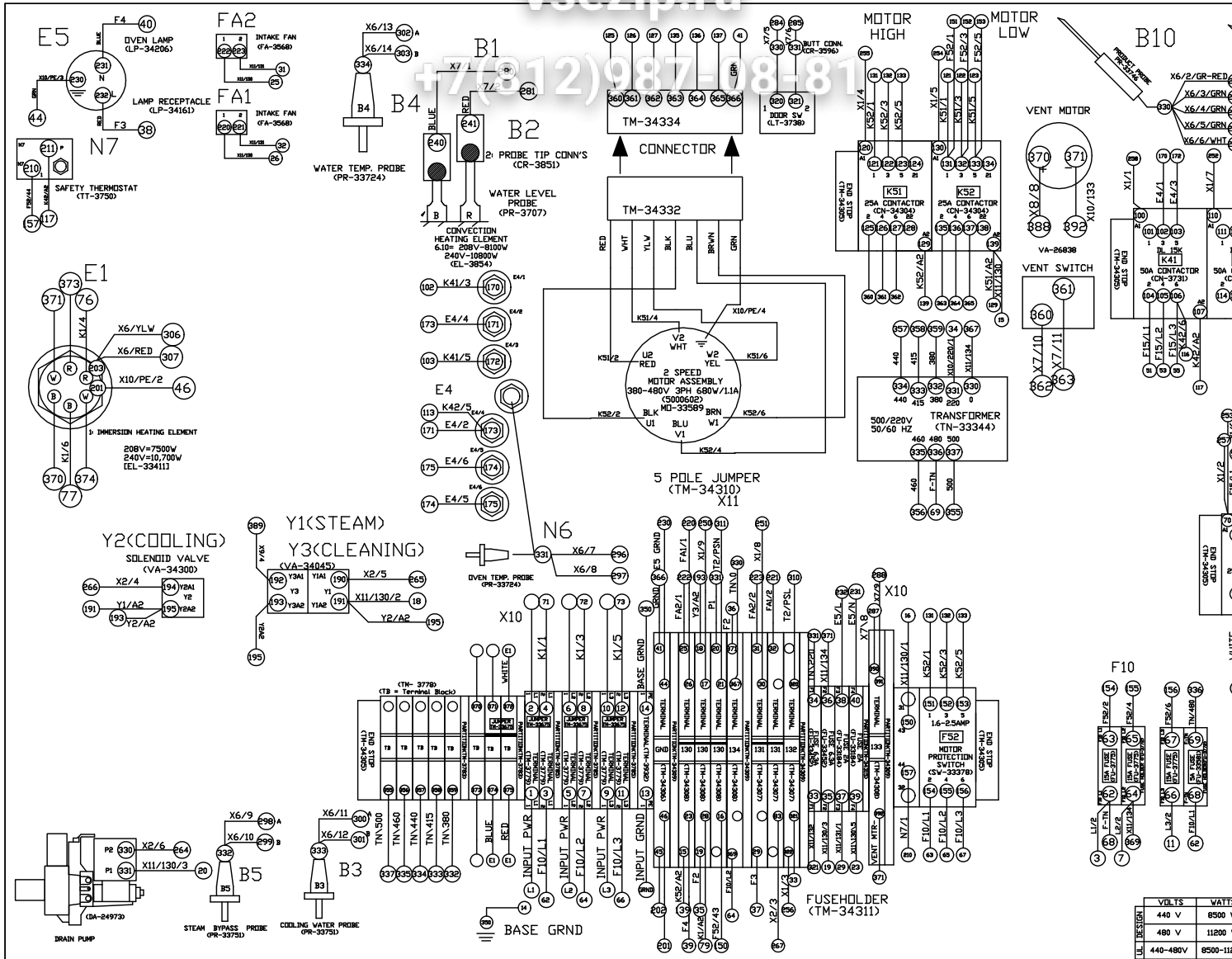
# Зип Общепит

## vsezip.ru

### +7(812)987-08-81



7(812)987-98181

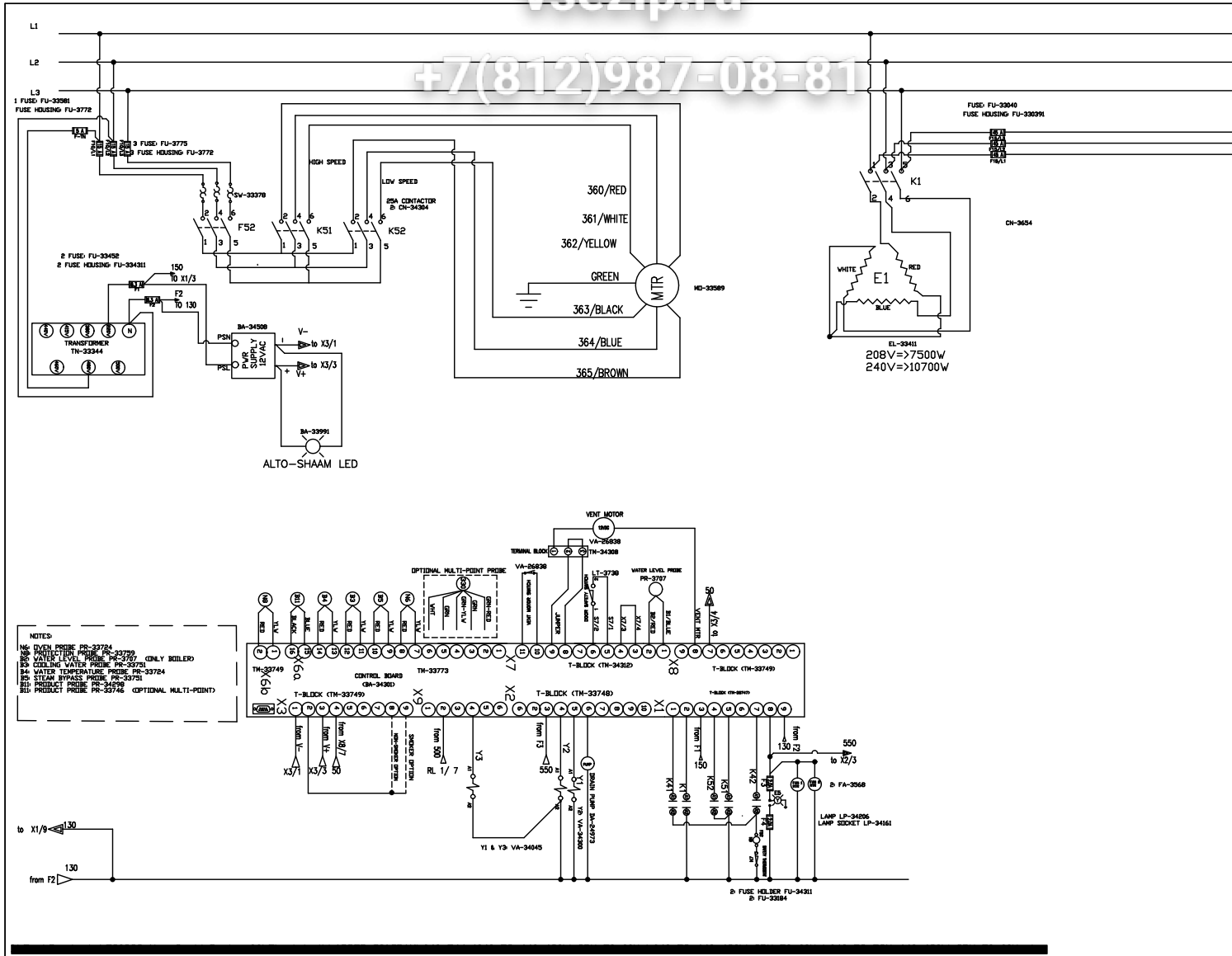


| ВЫЛС     | ВАТТ       |
|----------|------------|
| 440 V    | 8500       |
| 480 V    | 11200      |
| 440-480V | 8500-11200 |

# Зип Общепит

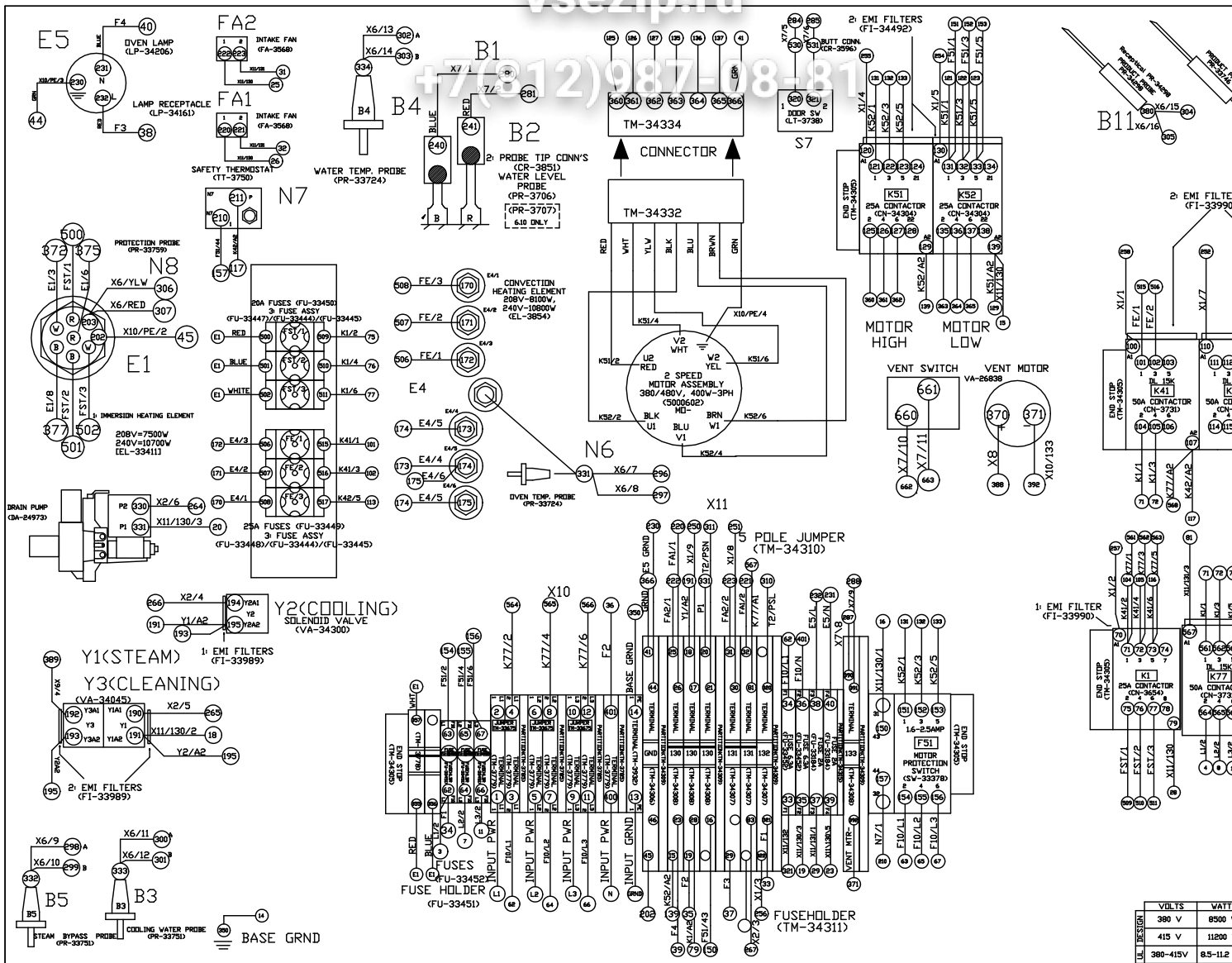
vsezip.ru

+7(812)987-08-81





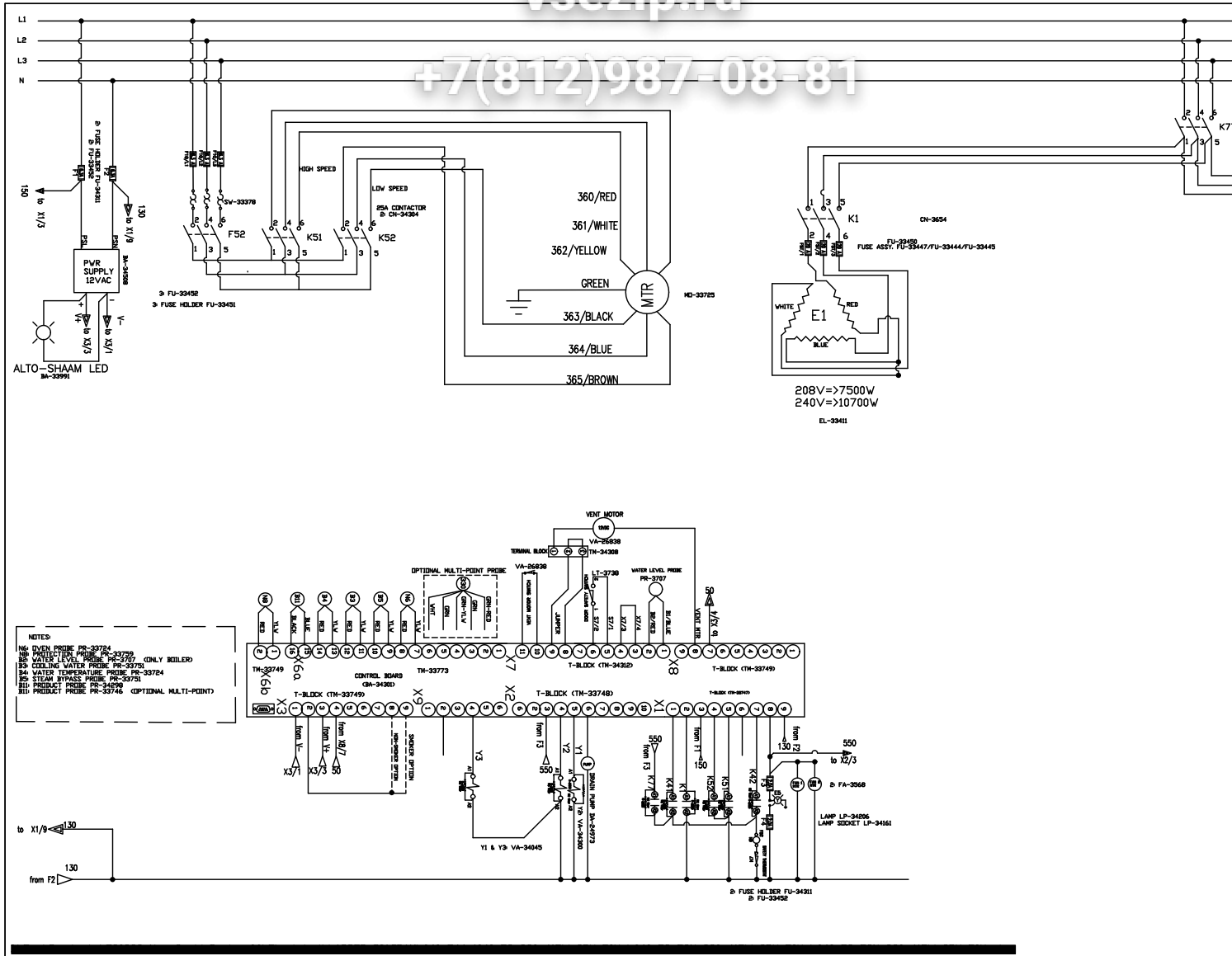
7(812)987-0881



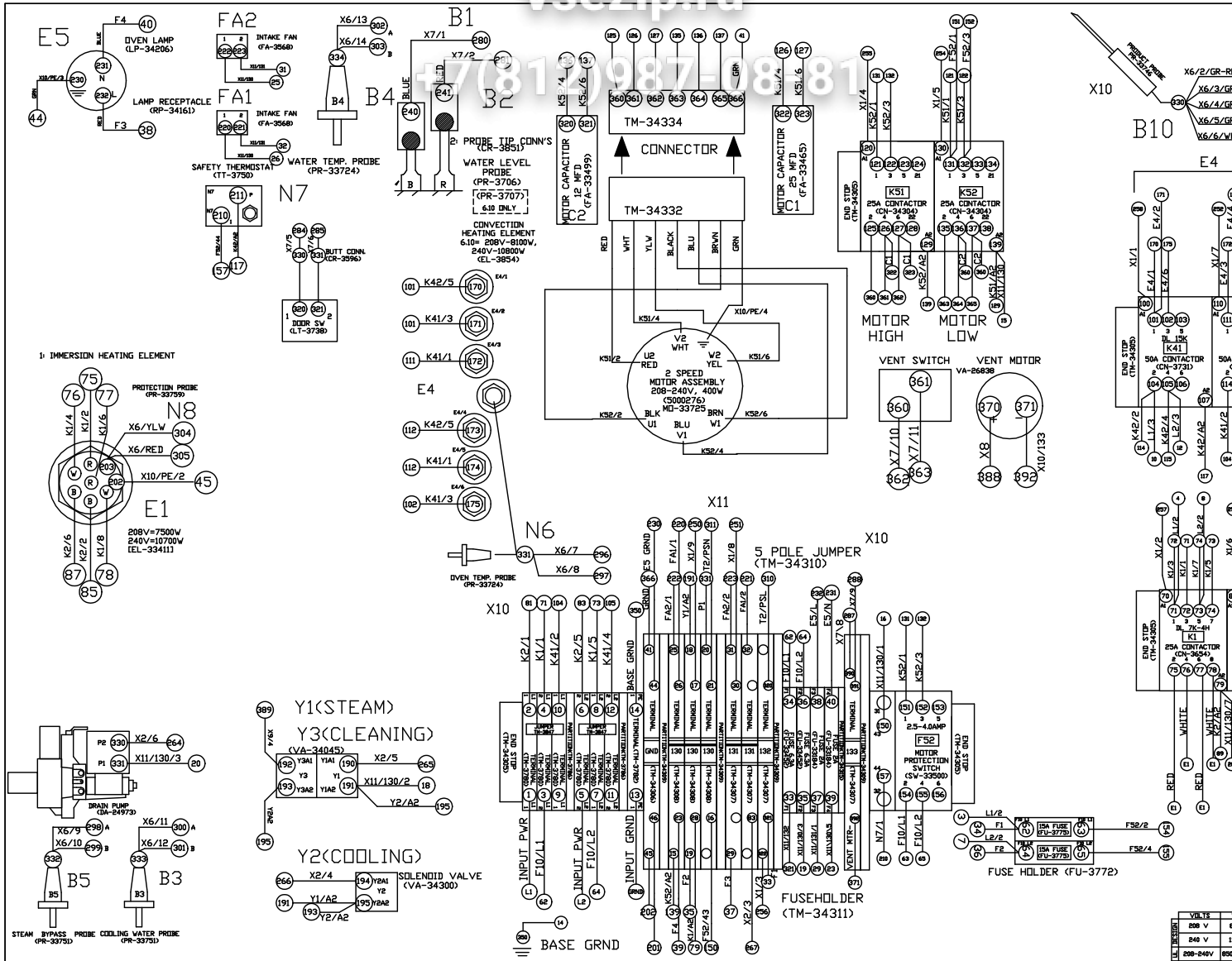
# Зип Общепит

## vsezip.ru

### +7(812)987-08-81



+7 81 2 987-9881

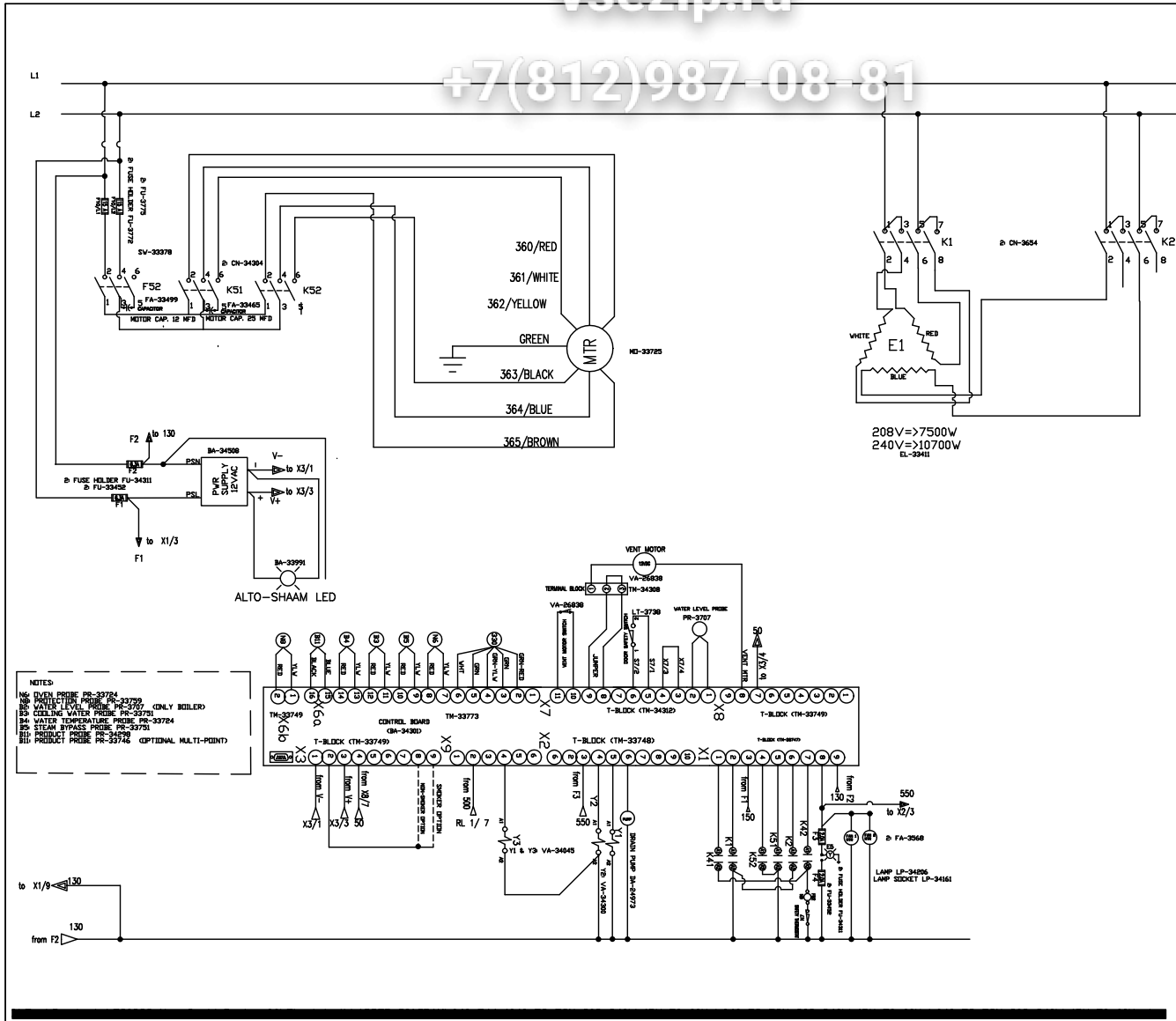


| VOLTS    | W     |
|----------|-------|
| 208 V    | 8500  |
| 240 V    | 11000 |
| 208-240V | 8500  |

# Зип Ощепит

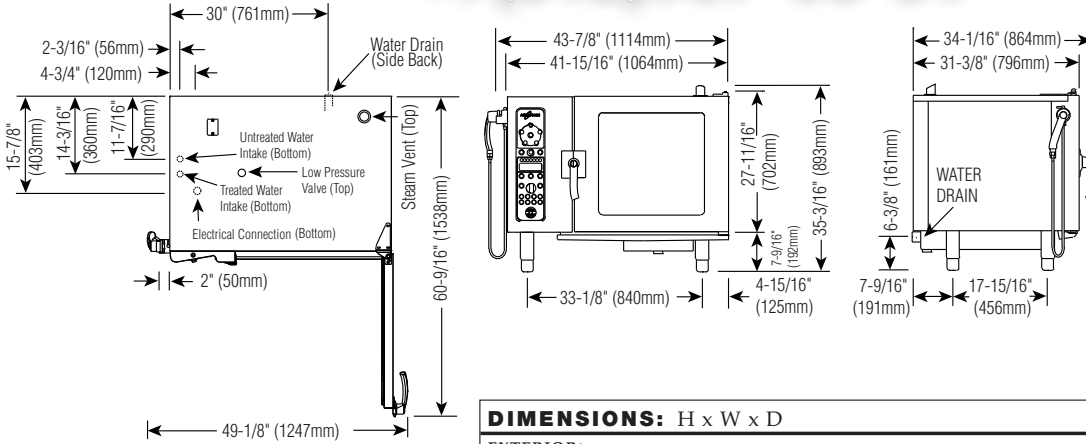
## vsezip.ru

### +7(812)987-08-81



**SECTION CONTENTS**

|  |                  |     |
|--|------------------|-----|
| Technical Data.....                    | vsezip.ru        | 118 |
| Parts Information.....                 | +7(812)987-08-81 | 119 |
| Door Assembly.....                     |                  | 119 |
| Recessed Door Assembly .....           |                  | 120 |
| Directional Panel Assembly .....       |                  | 121 |
| Pressure Box Assembly.....             |                  | 122 |
| Wiring and Ladder Diagrams .....       |                  | 123 |
| 208-240V 3PH 50/60 Hz Wiring .....     |                  | 123 |
| 208-240V 3PH 50/60 Hz Ladder.....      |                  | 124 |
| 440-480V 3PH 50/60 Hz Wiring .....     |                  | 125 |
| 440-480V 3PH 50/60 Hz Ladder.....      |                  | 126 |
| 380-415V 3PH 50 Hz Wiring .....        |                  | 127 |
| 380-415V 3PH 50 Hz Ladder .....        |                  | 128 |
| 208-240V 1PH 50/60 Hz Wiring .....     |                  | 129 |
| 208-240V 1PH 50/60 Hz Ladder.....      |                  | 130 |
| Return to Main Table of Contents ..... |                  | 3   |



|  |  |
|--|--|
| <b>DIMENSIONS: H x W x D</b>           |  |
| <b>EXTERIOR:</b>                       | 35-3/16" x 43-7/8" x 34-1/16" (893mm x 1114mm x 864mm) |
| <b>EXTERIOR WITH RETRACTABLE DOOR:</b> | 35-3/16" x 47-7/8" x 34-1/16" (893mm x 1216mm x 864mm) |
| <b>INTERIOR:</b>                       | 17-3/4" x 23-1/2" x 21-1/16" (450mm x 597mm x 535mm)   |

**INSTALLATION REQUIREMENTS**  
 Oven must be installed level.  
 Hood installation is required.  
 Water supply shut-off valve and back-flow preventer.

**WATER REQUIREMENTS**  
**TWO (2) COLD WATER INLETS - DRINKING QUALITY**  
 ONE (1) TREATED WATER INLET: 3/4" NPT\*  
 ONE (1) UNTREATED WATER INLET: 3/4" NPT\*  
 LINE PRESSURE: 30 to 90 psi 2.8 to 6.2 bar  
**WATER DRAIN:** 1-1/2" CONNECTION WITH AIR GAP  
 \* Can manifold off of one 3/4" line.

**CLEARANCE REQUIREMENTS**  
 LEFT: 6" (152mm) PLUS SERVICE ACCESS: 18" (457mm) RECOMMENDED 20" (508mm) FROM HEAT PRODUCING EQUIPMENT  
 RIGHT: 4" (102mm) TOP: 20" (508mm) FOR AIR MOVEMENT  
 BACK: 4" (102mm) BOTTOM: 5-1/8" (130mm) FOR LEGS  
 COUNTER-TOP INSTALLATIONS MUST MAINTAIN 4" (102mm) MINIMUM CLEARANCE FROM COUNTER SURFACE.

**WATER QUALITY MINIMUM STANDARDS**

USING A WATER SUPPLY NOT MEETING ALTO-SHAAM'S MINIMUM WATER QUALITY STANDARDS WILL VOID THIS WARRANTY. It is the responsibility of the purchaser to ensure that incoming water supply is compliant with the specifications listed through adequate treatment measures. Installation of the CombiGuard™ Water Filtration System is recommended, but this system may not address all water quality issues present.

| Contaminant                  | Inlet Water Requirements (untreated water) |
|------------------------------|--|
| Free Chlorine                | Less than 0.1 ppm (mg/L)                   |
| Hardness                     | Less than 3 gpg (52 ppm)                   |
| Chloride                     | Less than 30 ppm (mg/L)                    |
| pH                           | 7.0 to 8.5                                 |
| Alkalinity                   | Less than 50 ppm (mg/L)                    |
| Silica                       | Less than 12 ppm (mg/L)                    |
| Total Dissolved Solids (tds) | Less than 60 ppm                           |

| <b>ELECTRICAL</b> |       |          |                    | <b>6 • 10 Esi</b> |      | <b>6 • 10 Esi/sk</b> |      |
|-------------------|-------|----------|--------------------|-------------------|------|----------------------|------|
| VOLTAGE           | PHASE | CYCLE/HZ | AWG                | AMPS              | kW   | AMPS                 | kW   |
| 208-240           | 1*    | 50/60    | 2 Wire plus ground | 41.0              | 8.5  | 43.3                 | 9.0  |
|                   |       |          | AWG 6              | 47.0              | 11.2 | 48.0                 | 11.7 |
| 208-240           | 3     | 50/60    | 3 Wire plus ground | 23.3/ph           | 8.4  | 25.0/ph              | 9.0  |
|                   |       |          | AWG 8              | 27.0/ph           | 11.2 | 28.2/ph              | 11.7 |
| 380-415           | 3     | 50/60    | 4 Wire plus ground | 13.0/ph           | 8.5  | 14.0/ph              | 9.0  |
|                   |       |          | AWG 12             | 15.6/ph           | 11.2 | 16.3/ph              | 11.7 |
| 440-480           | 3*    | 50/60    | 3 Wire plus ground | 20.0/ph           | 15.4 | 21.0/ph              | 15.9 |
|                   |       |          | AWG 8              | 22.0/ph           | 18.4 | 23.0/ph              | 18.9 |

\* ELECTRICAL SERVICE CHARGE APPLIES

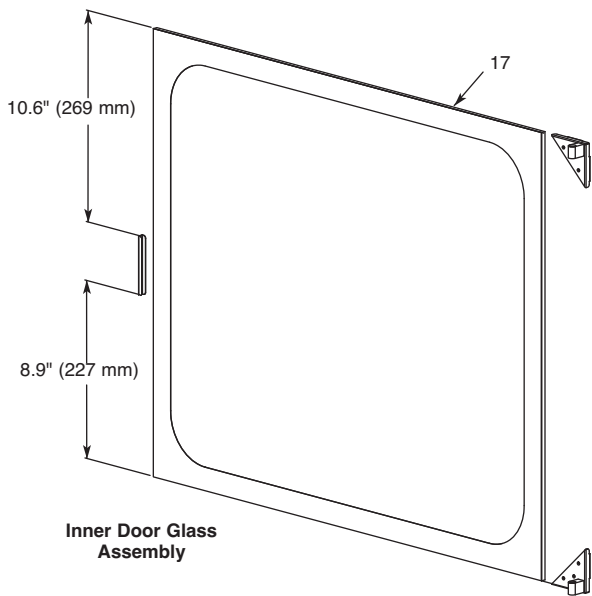
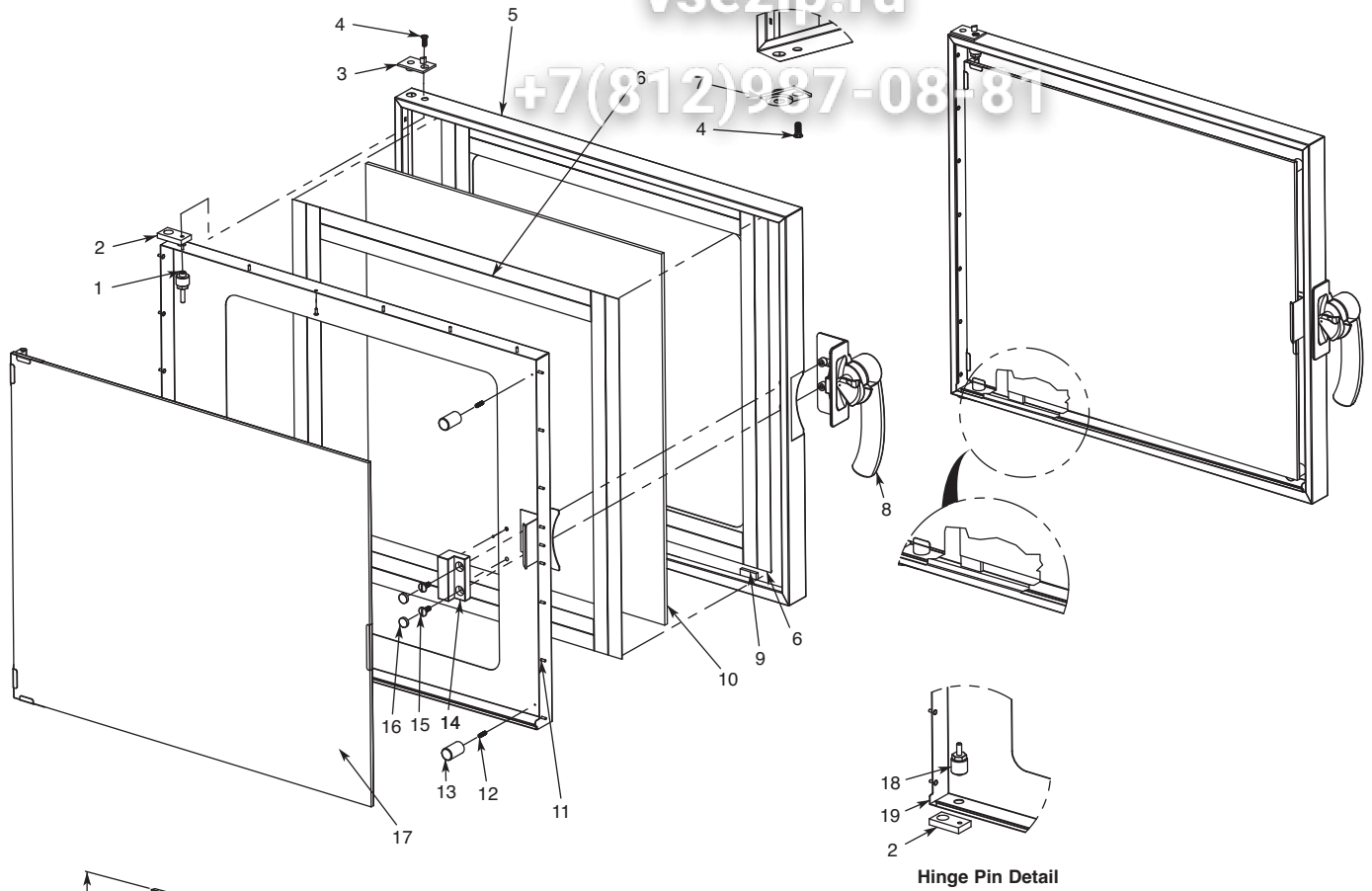
| <b>WEIGHT</b>                      |                      | <b>CAPACITY</b>                       |         |
|------------------------------------|----------------------|---------------------------------------|---------|
| NET                                | 343 lb (156 kg)      | FULL-SIZE PANS: 20" x 12" x 2-1/2"    | Six (6) |
|                                    |                      | GN 1/1: 530 x 325 x 65mm              | Six (6) |
| SHIP                               | 467 lb (212 kg)      | HALF-SIZE SHEET PANS:* 18" x 13" x 1" | Six (6) |
| CRATE                              | 40" x 48" x 40" EST. | 72 lb (33 kg) MAXIMUM                 |         |
| DIMENSIONS: (1016 x 1219 x 1016mm) |                      | VOLUME MAXIMUM: 45 QUARTS (57 LITERS) |         |

\*ADDITIONAL WIRE SHELVES REQUIRED FOR MAXIMUM CAPACITY

## DOOR ASSEMBLY

vsezip.ru

+7(812)987-08481



| Item | Part     | Description   | Qty. |
|------|----------|---|------|
| 1    | PI-26973 | Pin, Upper  | 1    |
| 2    | HG-25078 | Hinge, CT, Anchor, ML Combi                               | 2    |
| 3    | HG-25077 | Hinge, CT, Top Stop, ML Combi                             | 1    |
| 4    | SC-22282 | Screw, CT, 1.0X 16 mm, PH Oval, HD N/S 18-8, DIN # 966A   | 2    |
| 5    | 1005957  | Outer Panel, Door   | 1    |
| 6    | TA-25125 | Tape, Double Sided  | 2    |
| 7    | HG-25079 | Hinge, CT, Upper Ratchet, Combi                           | 1    |
| 8    | HD-26966 | Handle, Door, Right, Combi '06                            | 1    |
| 9    | BM-27116 | Bumper  | 2    |
| 10   | GL-27110 | Glass, Outer Door, 7.14 EP                                | 1    |
| 11   | RI-27108 | Rivet, Sealed   | 22   |
| 12   | SC-25091 | Screw, CT, M5X16, DIN 551, A2 S/S, SLTD Set Screw Flat PT | 2    |
| 13   | BM-27146 | Bumper Stop/Inner Door                                    | 2    |
| 14   | SP-27212 | Spacer, Window Latch                                      | 1    |
| 15   | SC-27125 | Screw, Truss Head, S/S                                    | 2    |
| 16   | PG-24789 | Plug, 15 mm   | 2    |
| 17   | 5005090  | Inner Door, Glass Assembly                                | 1    |
| 18   | PI-26974 | Pin, Lower  | 1    |
| 19   | 5005089  | Inner Door Spot RH  | 1    |
| *    | CL-27854 | Inner Door Latch  | 1    |

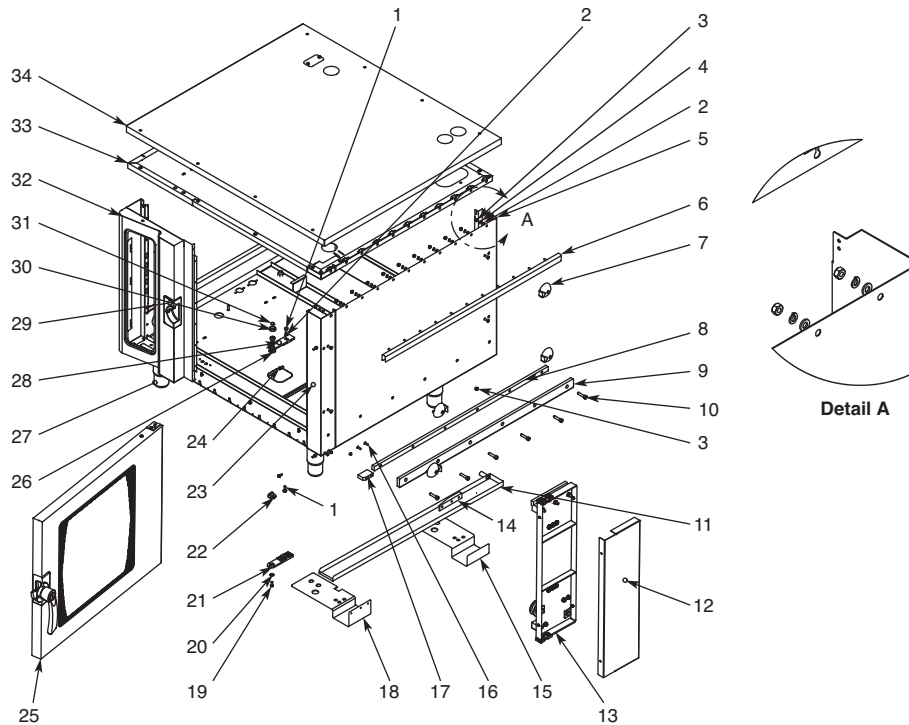
\*Item Not Shown

# PARTS INFORMATION

## РЕЦЕССИВНЫЙ ДВЕРНОЙ АССЕМБЛЕЙ

vsezip.ru

+7(812)987-08-81



| Item | Part     | Description                    | Qty. |
|------|----------|--------------------------------|------|
| 1    | SC-22924 | M6 x 20 Hex Trim HD            | 2    |
| 2    | WS-22297 | Washer, Flat, M6, DIN 125      | 14   |
| 3    | NU-22291 | M6-1.0 x Hex S/S Nut 18-8      | 12   |
| 4    | WS-22302 | Washer, Lock, M6, DIN 127B     | 12   |
| 5    | 5008015  | Right Side Assembly            | 1    |
| 6    | 5007897  | Channel Assembly               | 1    |
| 7    | BK-27412 | Recessed Door Block            | 4    |
| 8    | RA-28207 | Rail, Top                      | 1    |
| 9    | RA-28208 | Rail, Bottom                   | 1    |
| 10   | SC-24388 | Screw, SHC M8 x 35 S/S         | 6    |
| 11   | 5007893  | Drip Pan Assembly              | 1    |
| 12   | 1008869  | Cover, Trolley                 | 1    |
| 13   | 5008001  | Trolley Assembly               | 1    |
| 14   | BK-22100 | White Teflon, Cart Guide Block | 1    |
| 15   | 1008505  | Rear Bracket, Recessed         | 1    |
| 16   | SC-22281 | Screw, M5 x 16 Flat Head CSink | 2    |
| 17   | BK-28252 | Block, Guide                   | 1    |

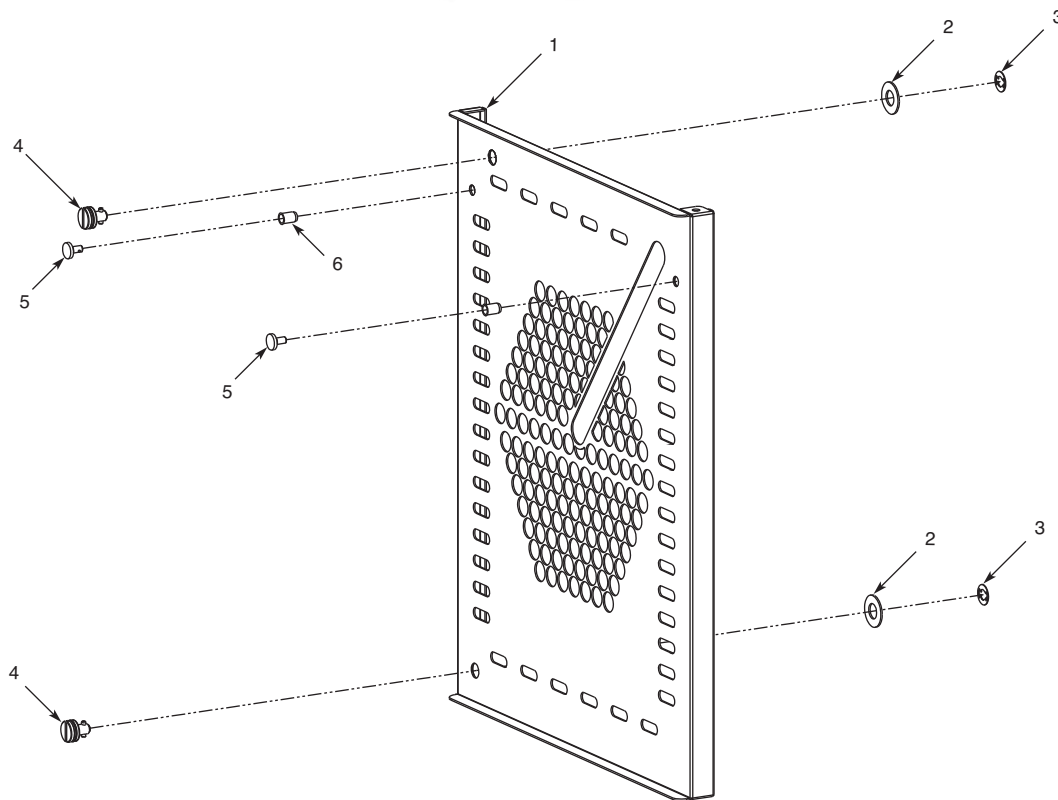
| Item | Part     | Description                | Qty. |
|------|----------|----------------------------|------|
| 18   | 1008506  | Front Bracket Recessed     | 1    |
| 19   | SC-22284 | Screw, M6 x 16 Hex S/S HD  | 1    |
| 20   | WS-22298 | Washer, M8, 18-8           | 1    |
| 21   | HG-28040 | Hinge                      | 1    |
| 22   | HG-25101 | Hinge, Lower Ratchet       | 1    |
| 23   | 5008014  | Front Corner Assembly      | 1    |
| 24   | SC-26060 | M5 x 16 Hex Head           | 4    |
| 25   | 5008004  | Door Assembly Recessed     | 1    |
| 26   | WS-25124 | Eccentric Washer           | 1    |
| 27   | LG-26867 | Legs, Combi                | 4    |
| 28   | HG-28041 | Hinge                      | 1    |
| 29   | LT-26968 | Latch, Door, Right         | 1    |
| 30   | WS-25127 | Covering Washer, For Hinge | 1    |
| 31   | PG-25132 | M12, (Black or Natural)    | 1    |
| 32   | PE-27559 | Front Panel Weld Assembly  | 1    |
| 33   | 5005065  | Fill In Cover Assembly     | 1    |
| 34   | 5007895  | Outer Cover Assembly       | 1    |



## DIRECTIONAL PANEL ASSEMBLY

vsezip.ru

+7(812)987-08-81



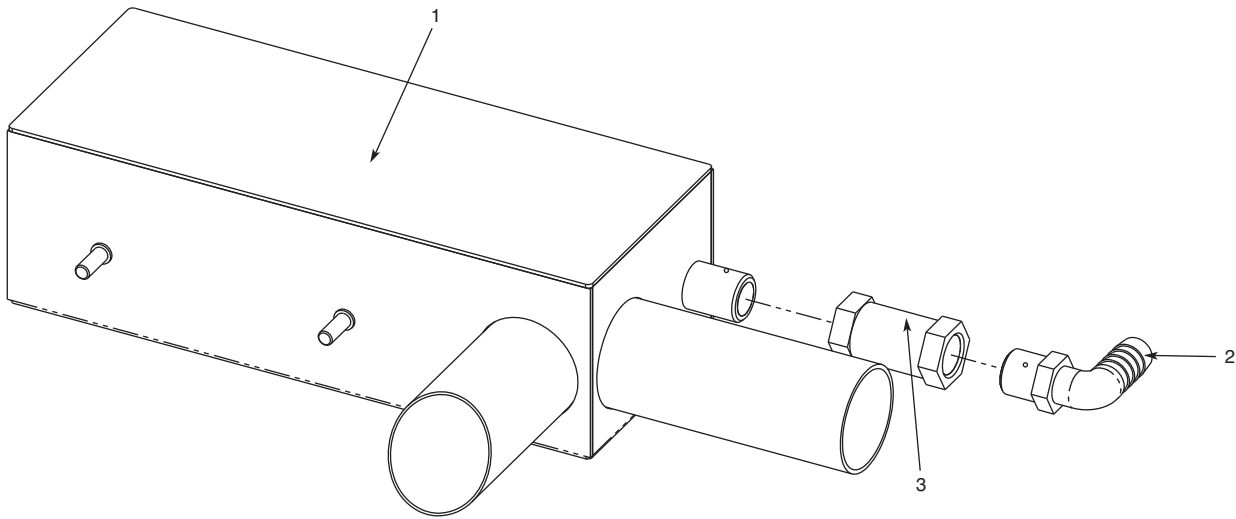
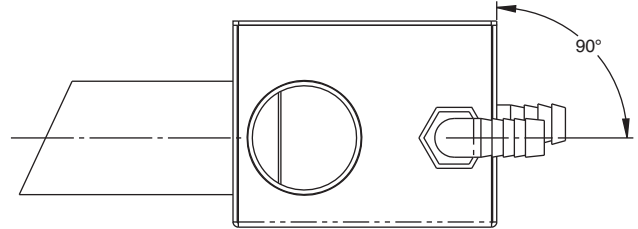
| Item | Part     | Description                     | Qty. |
|------|----------|---------------------------------|------|
| 1    | 1006762  | Directional Panel               | 1    |
| 2    | 1006601  | Directional Panel Spacer        | 2    |
| 3    | WS-24090 | Holding (Lock Clip)             | 2    |
| 4    | CL-24089 | Clip, CT, ML, Lock, W/3 Washers | 2    |
| 5    | SC-22753 | Screw, SS Round, Hanging Rack   | 2    |
| 6    | NU-22770 | Nut, Threaded Insert, M6        | 2    |

**PARTS INFORMATION** **Всё что нужно**

**PRESSURE BOX ASSEMBLY**

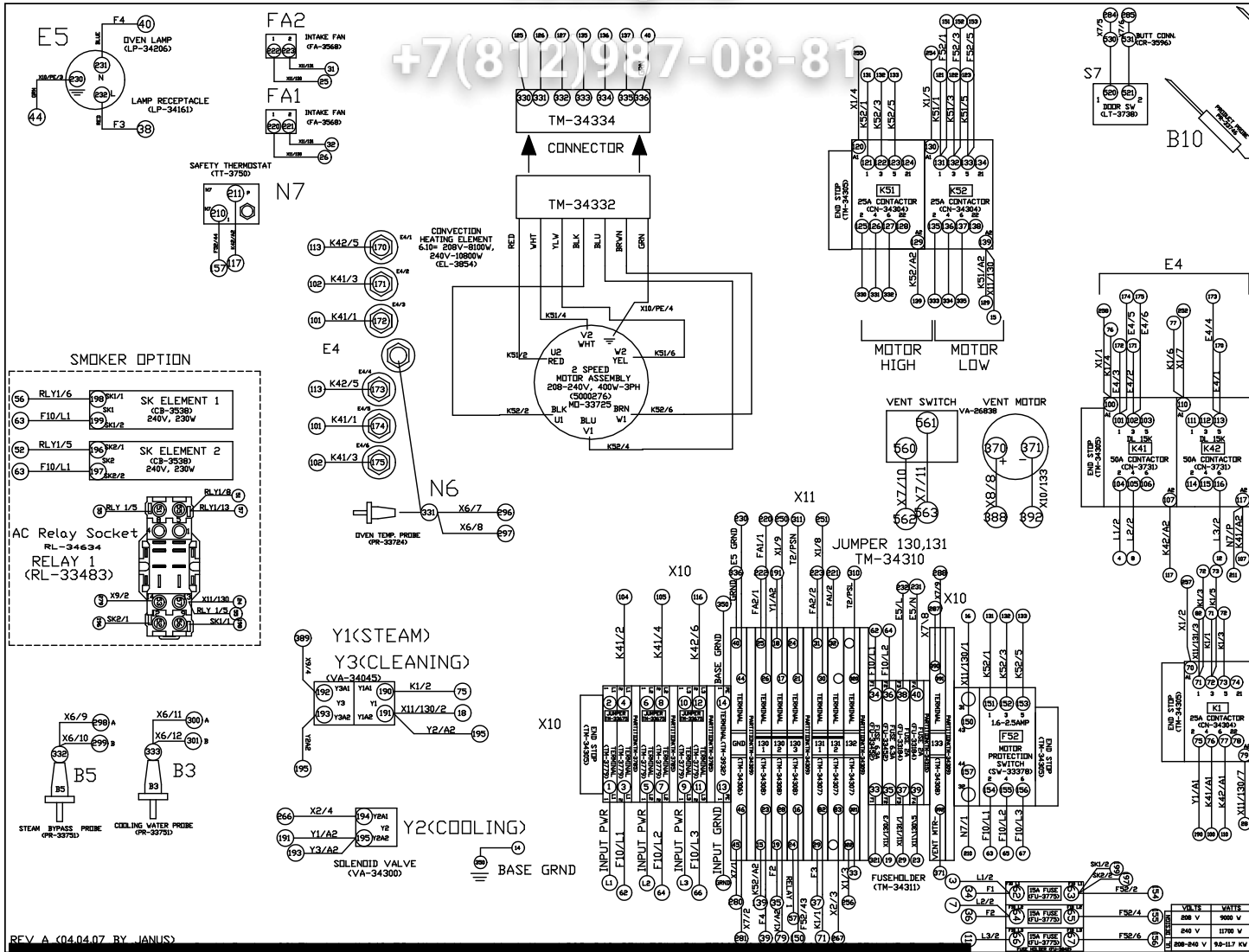
vsezip.ru

+7(812)987-08-81



| Item | Part     | Description                         | Qty. |
|------|----------|-------------------------------------|------|
| 1    | 5005009  | Pressure Box                        | 1    |
| 2    | EB-25551 | Elbow, Nylon, 1/2" x 3/8"           | 1    |
| 3    | VA-25549 | Valve, 3/8", Flow Control, 0.12 GPM | 1    |

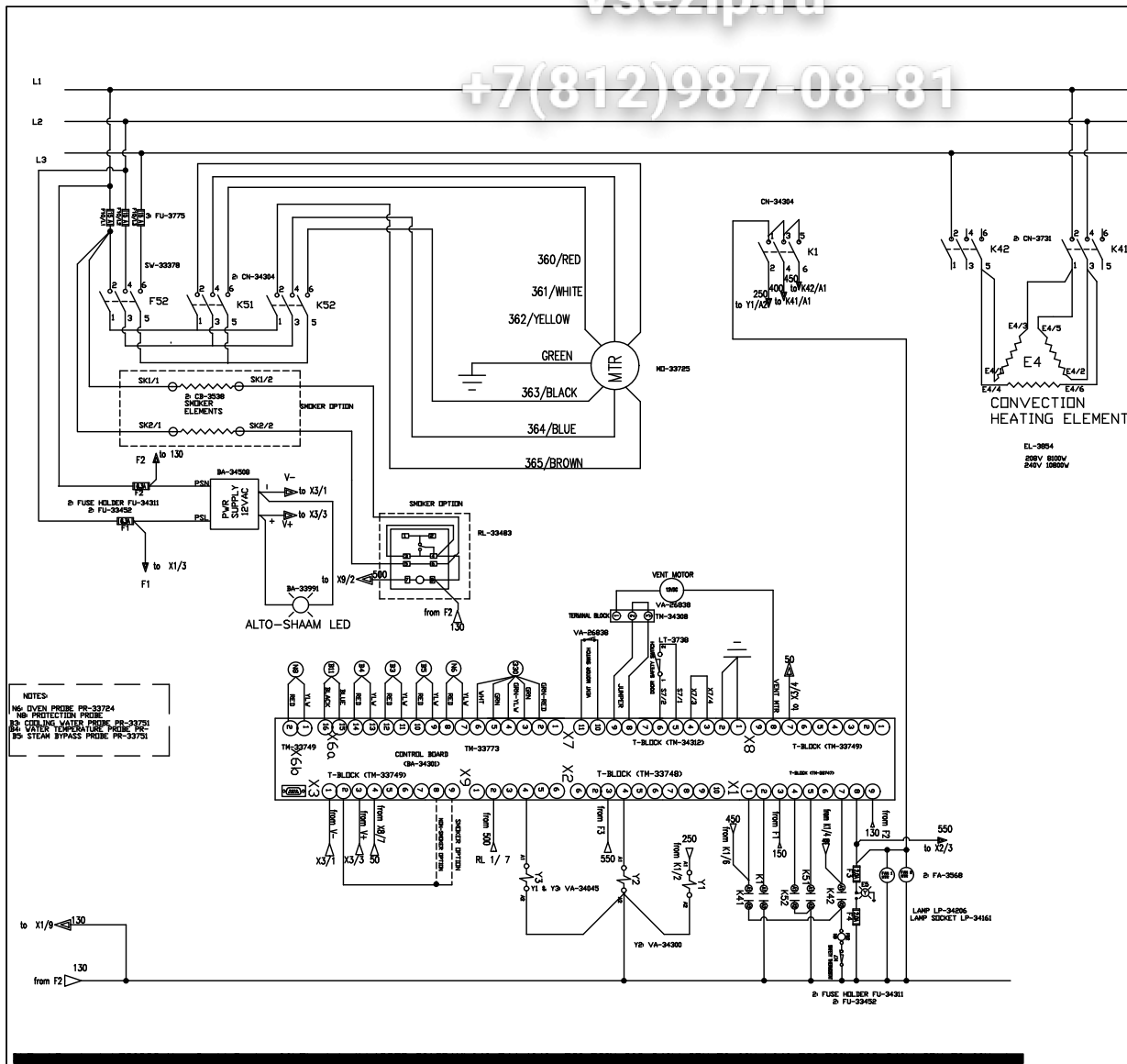
+7(812)987-08-81



# Зип Ощепит

## vsezip.ru

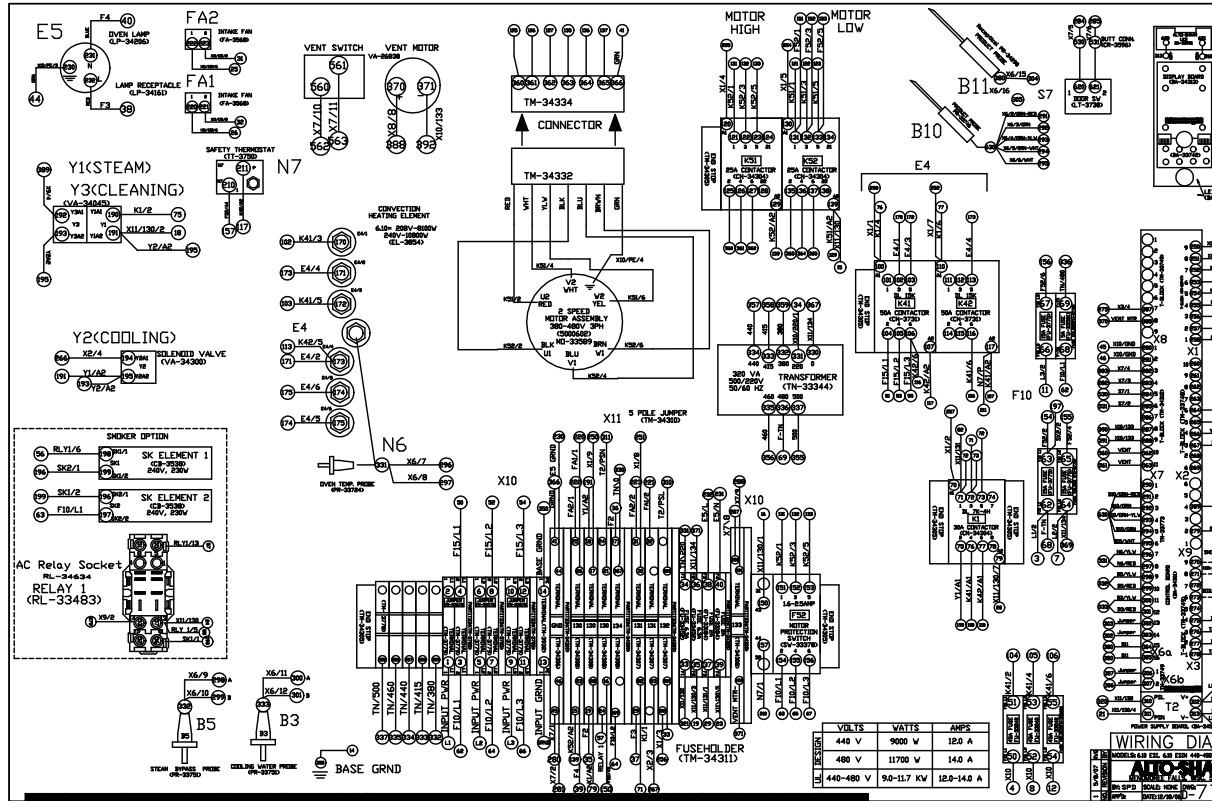
### +7(812)987-08-81



# Зип Общепит

## vsezip.ru

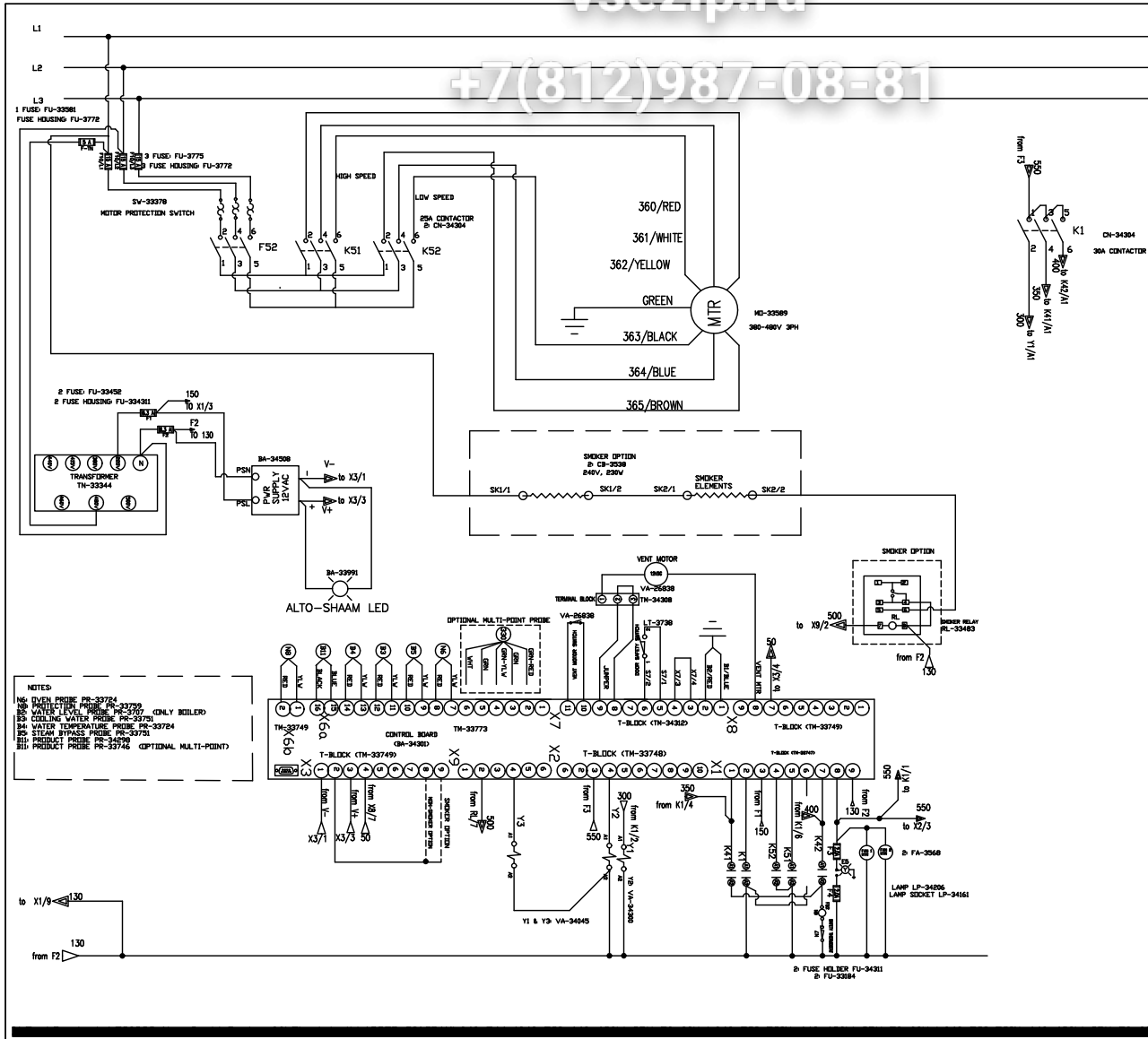
### +7(812)987-08-81



# Зип Общепит

## vsezip.ru

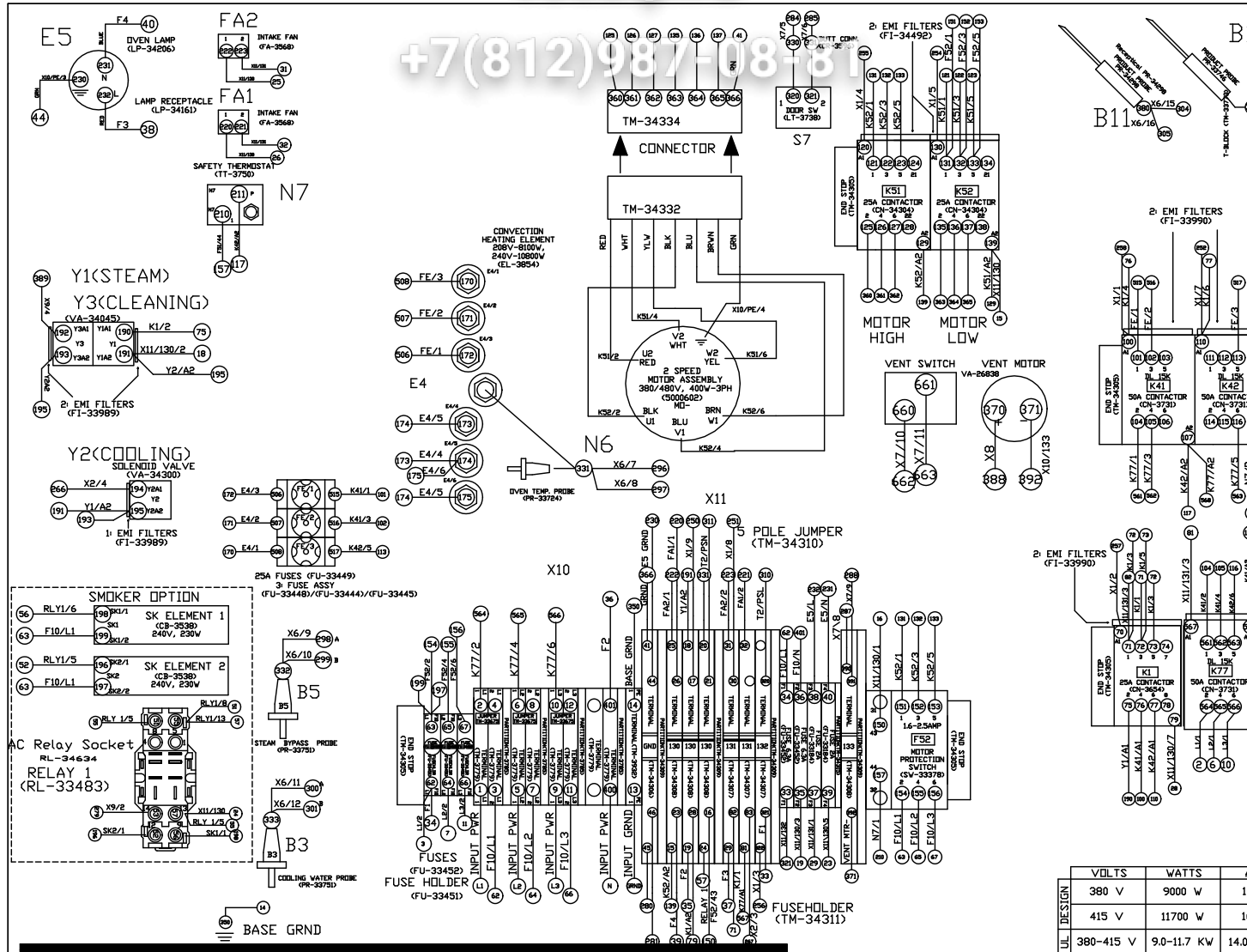
### +7(812)987-08-81



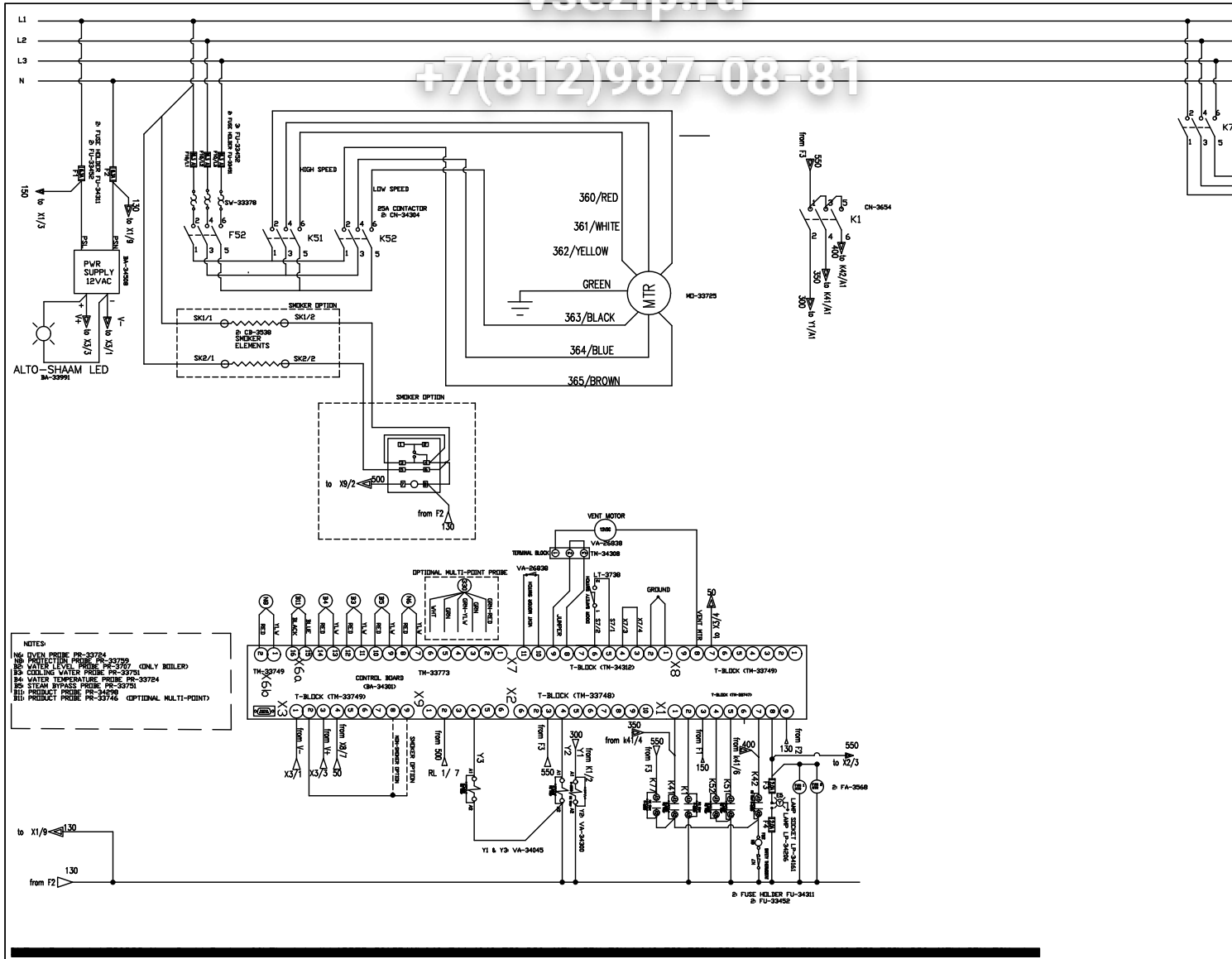
# Зип Общежит

vsezip.ru

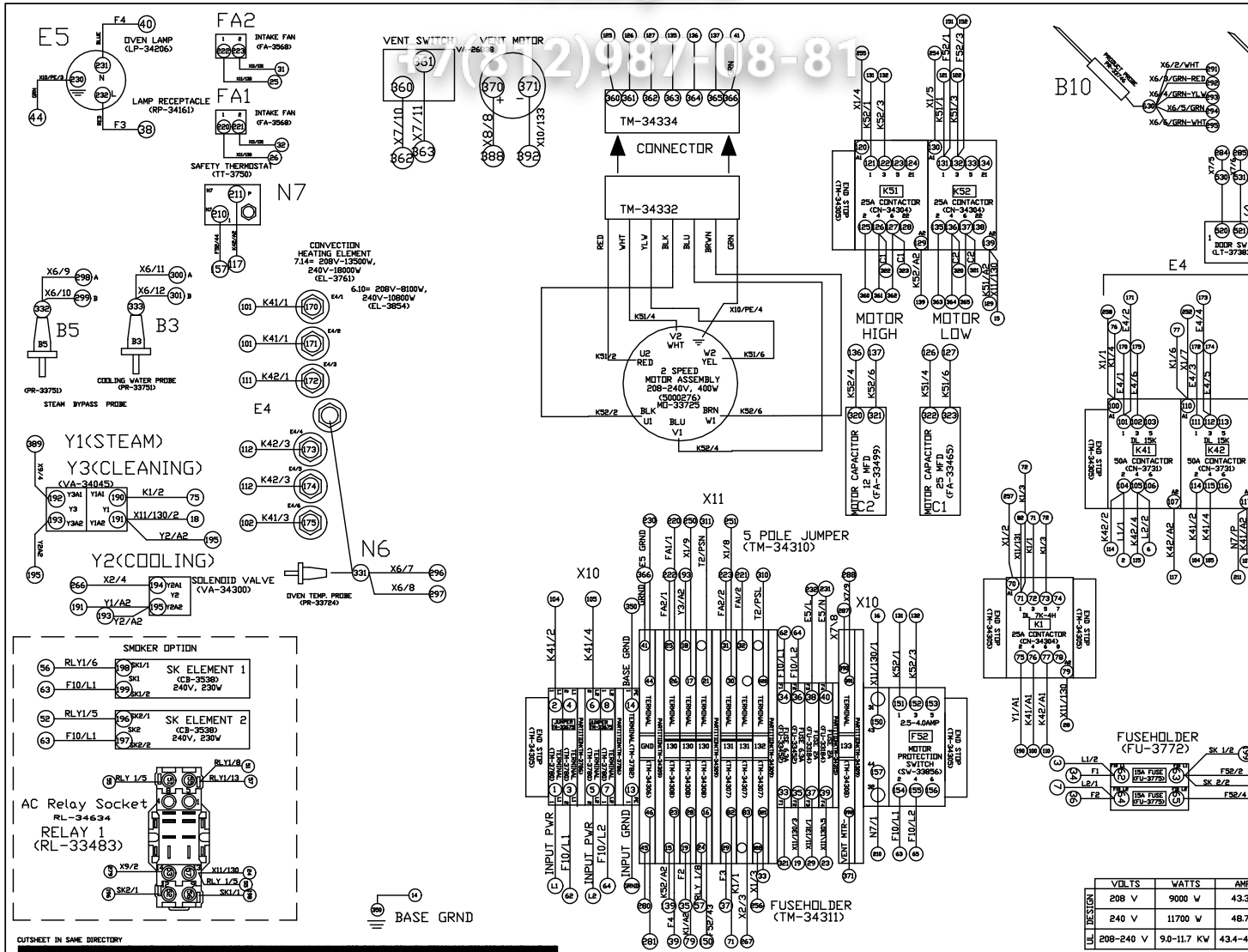
+7(812)987-08781



| VOLTS     | WATTS       | A    |
|-----------|-------------|------|
| 380 V     | 9000 W      | 14   |
| 415 V     | 11700 W     | 16   |
| 380-415 V | 9.0-11.7 KW | 14.0 |





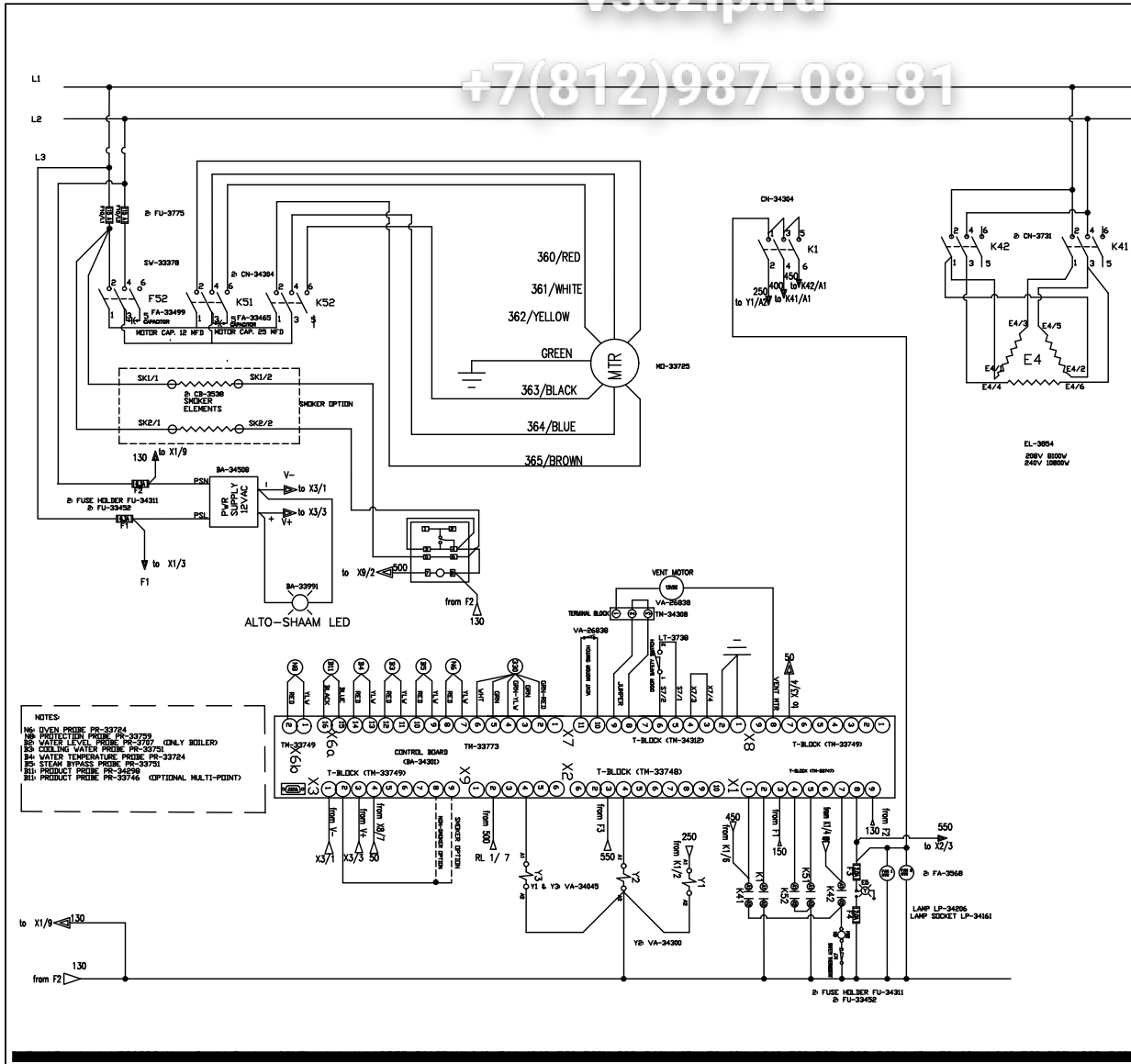


CUTSHEET IN SAME DIRECTORY

# Зип Общепит

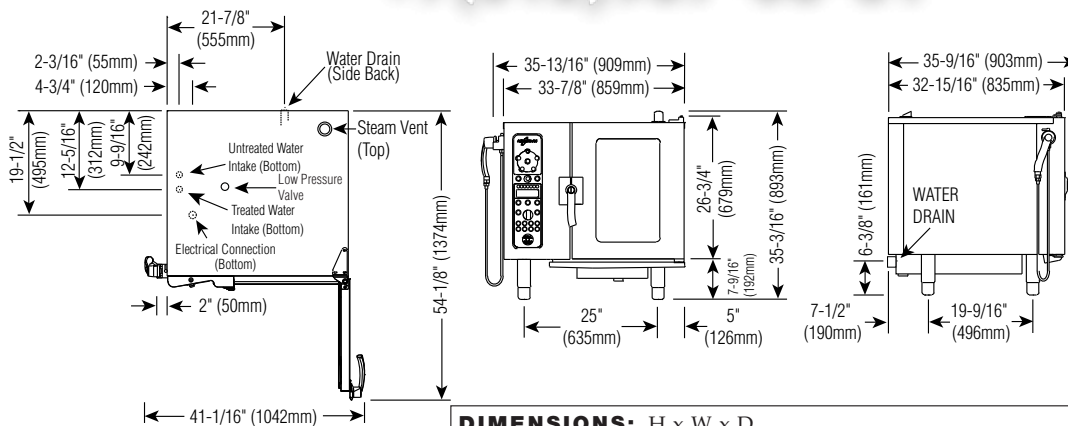
## vsezip.ru

### +7(812)987-08-81



## SECTION CONTENTS

|  |                  |     |
|--|------------------|-----|
| Technical Data.....                    | vsezip.ru        | 132 |
| Parts Information.....                 | +7(812)987-08-81 | 133 |
| Door Assembly.....                     |                  | 133 |
| Recessed Door Assembly .....           |                  | 134 |
| Directional Panel Assembly .....       |                  | 135 |
| Pressure Box Assembly .....            |                  | 136 |
| Wiring and Ladder Diagrams .....       |                  | 137 |
| 208-240V 3PH 50/60 Hz Wiring .....     |                  | 137 |
| 208-240V 3PH 50/60 Hz Ladder.....      |                  | 138 |
| 440-480V 3PH 50/60 Hz Wiring .....     |                  | 139 |
| 440-480V 3PH 50/60 Hz Ladder.....      |                  | 140 |
| 380-415V 3PH 50 Hz Wiring .....        |                  | 141 |
| 380-415V 3PH 50 Hz Ladder .....        |                  | 142 |
| 208-240V 1PH 50/60 Hz Wiring .....     |                  | 143 |
| 208-240V 1PH 50/60 Hz Ladder.....      |                  | 144 |
| Return to Main Table of Contents ..... |                  | 3   |



| <b>INSTALLATION REQUIREMENTS</b>  |  | <b>DIMENSIONS: H x W x D</b>   |                    |                                       |  |               |                          |          |                          |          |                         |    |            |            |                         |        |                         |                              |                  |
|---|--|--|--------------------|---------------------------------------|--|---------------|--------------------------|----------|--------------------------|----------|-------------------------|----|------------|------------|-------------------------|--------|-------------------------|------------------------------|------------------|
| Oven must be installed level.<br>Hood installation is required.<br>Water supply shut-off valve and back-flow preventer.   |  | <b>EXTERIOR:</b><br>35-3/16" x 35-13/16" x 35-9/16" (893mm x 909mm x 903mm)  |                    |                                       |  |               |                          |          |                          |          |                         |    |            |            |                         |        |                         |                              |                  |
|   |  | <b>EXTERIOR WITH RETRACTABLE DOOR:</b><br>35-3/16" x 39-13/16" x 35-9/16" (893mm x 1011mm x 903mm)   |                    |                                       |  |               |                          |          |                          |          |                         |    |            |            |                         |        |                         |                              |                  |
|   |  | <b>INTERIOR:</b><br>17-3/4" x 13-1/4" x 26-1/4" (450mm x 387mm x 665mm)  |                    |                                       |  |               |                          |          |                          |          |                         |    |            |            |                         |        |                         |                              |                  |
| <b>WATER REQUIREMENTS</b>   |  | <b>WATER QUALITY MINIMUM STANDARDS</b>   |                    |                                       |  |               |                          |          |                          |          |                         |    |            |            |                         |        |                         |                              |                  |
| <p><b>TWO (2) COLD WATER INLETS - DRINKING QUALITY</b></p> <p>ONE (1) TREATED WATER INLET: 3/4" NPT*</p> <p>ONE (1) UNTREATED WATER INLET: 3/4" NPT*</p> <p>LINE PRESSURE: 30 to 90 psi 2.8 to 6.2 bar</p> <p><b>WATER DRAIN: 1-1/2" CONNECTION WITH AIR GAP</b></p> <p>* Can manifold off of one 3/4" line.</p>                    |  | <p>USING A WATER SUPPLY NOT MEETING ALTO-SHAAM'S MINIMUM WATER QUALITY STANDARDS WILL VOID THIS WARRANTY. It is the responsibility of the purchaser to ensure that incoming water supply is compliant with the specifications listed through adequate treatment measures. Installation of the CombiGuard™ Water Filtration System is recommended, but this system may not address all water quality issues present.</p> <table border="1"> <thead> <tr> <th>Contaminant</th> <th>Inlet Water Requirements (untreated water)</th> </tr> </thead> <tbody> <tr> <td>Free Chlorine</td> <td>Less than 0.1 ppm (mg/L)</td> </tr> <tr> <td>Hardness</td> <td>Less than 3 gpg (52 ppm)</td> </tr> <tr> <td>Chloride</td> <td>Less than 30 ppm (mg/L)</td> </tr> <tr> <td>pH</td> <td>7.0 to 8.5</td> </tr> <tr> <td>Alkalinity</td> <td>Less than 50 ppm (mg/L)</td> </tr> <tr> <td>Silica</td> <td>Less than 12 ppm (mg/L)</td> </tr> <tr> <td>Total Dissolved Solids (tds)</td> <td>Less than 60 ppm</td> </tr> </tbody> </table> |                    | Contaminant                           | Inlet Water Requirements (untreated water) | Free Chlorine | Less than 0.1 ppm (mg/L) | Hardness | Less than 3 gpg (52 ppm) | Chloride | Less than 30 ppm (mg/L) | pH | 7.0 to 8.5 | Alkalinity | Less than 50 ppm (mg/L) | Silica | Less than 12 ppm (mg/L) | Total Dissolved Solids (tds) | Less than 60 ppm |
| Contaminant   | Inlet Water Requirements (untreated water) |  |                    |                                       |  |               |                          |          |                          |          |                         |    |            |            |                         |        |                         |                              |                  |
| Free Chlorine   | Less than 0.1 ppm (mg/L)                   |  |                    |                                       |  |               |                          |          |                          |          |                         |    |            |            |                         |        |                         |                              |                  |
| Hardness  | Less than 3 gpg (52 ppm)                   |  |                    |                                       |  |               |                          |          |                          |          |                         |    |            |            |                         |        |                         |                              |                  |
| Chloride  | Less than 30 ppm (mg/L)                    |  |                    |                                       |  |               |                          |          |                          |          |                         |    |            |            |                         |        |                         |                              |                  |
| pH  | 7.0 to 8.5                                 |  |                    |                                       |  |               |                          |          |                          |          |                         |    |            |            |                         |        |                         |                              |                  |
| Alkalinity  | Less than 50 ppm (mg/L)                    |  |                    |                                       |  |               |                          |          |                          |          |                         |    |            |            |                         |        |                         |                              |                  |
| Silica  | Less than 12 ppm (mg/L)                    |  |                    |                                       |  |               |                          |          |                          |          |                         |    |            |            |                         |        |                         |                              |                  |
| Total Dissolved Solids (tds)  | Less than 60 ppm                           |  |                    |                                       |  |               |                          |          |                          |          |                         |    |            |            |                         |        |                         |                              |                  |
| <b>CLEARANCE REQUIREMENTS</b>   |  |  |                    |                                       |  |               |                          |          |                          |          |                         |    |            |            |                         |        |                         |                              |                  |
| <p>LEFT: 6" (152mm) PLUS SERVICE ACCESS: 18" (457mm) RECOMMENDED 20" (508mm) FROM HEAT PRODUCING EQUIPMENT</p> <p>RIGHT: 4" (102mm) TOP: 20" (508mm) FOR AIR MOVEMENT</p> <p>BACK: 4" (102mm) BOTTOM: 5-1/8" (130mm) FOR LEGS</p> <p>COUNTER-TOP INSTALLATIONS MUST MAINTAIN 4" (102mm) MINIMUM CLEARANCE FROM COUNTER SURFACE.</p> |  |  |                    |                                       |  |               |                          |          |                          |          |                         |    |            |            |                         |        |                         |                              |                  |
| <b>ELECTRICAL</b>   |  | <b>6 • 10 ESiN</b>   |                    |                                       |  |               |                          |          |                          |          |                         |    |            |            |                         |        |                         |                              |                  |
|   |  | <b>6 • 10 ESiN/sk</b>  |                    |                                       |  |               |                          |          |                          |          |                         |    |            |            |                         |        |                         |                              |                  |
| VOLTAGE   | PHASE                                      | CYCLE/HZ   | AWG                | AMPS                                  | kW   | AMPS          | kW                       |          |                          |          |                         |    |            |            |                         |        |                         |                              |                  |
| 208-240   | 1*   | 50/60  | 2 Wire plus ground | 41.0                                  | 8.5  | 43.3          | 9.0                      |          |                          |          |                         |    |            |            |                         |        |                         |                              |                  |
|   |  |  | AWG 6              | 47.0                                  | 11.2                                       | 48.0          | 11.7                     |          |                          |          |                         |    |            |            |                         |        |                         |                              |                  |
| 208-240   | 3  | 50/60  | 3 Wire plus ground | 23.3/ph                               | 8.4  | 25.0/ph       | 9.0                      |          |                          |          |                         |    |            |            |                         |        |                         |                              |                  |
|   |  |  | AWG 8              | 27.0/ph                               | 11.2                                       | 28.2/ph       | 11.7                     |          |                          |          |                         |    |            |            |                         |        |                         |                              |                  |
| 380-415   | 3  | 50/60  | 4 Wire plus ground | 13.0/ph                               | 8.5  | 14.0/ph       | 9.0                      |          |                          |          |                         |    |            |            |                         |        |                         |                              |                  |
|   |  |  | AWG 12             | 15.6/ph                               | 11.2                                       | 16.3/ph       | 11.7                     |          |                          |          |                         |    |            |            |                         |        |                         |                              |                  |
| 440-480   | 3*   | 50/60  | 3 Wire plus ground | 20.0/ph                               | 15.4                                       | 21.0/ph       | 15.9                     |          |                          |          |                         |    |            |            |                         |        |                         |                              |                  |
|   |  |  | AWG 8              | 22.0/ph                               | 18.4                                       | 23.0/ph       | 18.9                     |          |                          |          |                         |    |            |            |                         |        |                         |                              |                  |
| * ELECTRICAL SERVICE CHARGE APPLIES   |  |  |                    |                                       |  |               |                          |          |                          |          |                         |    |            |            |                         |        |                         |                              |                  |
| <b>WEIGHT</b>   |  | <b>CAPACITY</b>  |                    |                                       |  |               |                          |          |                          |          |                         |    |            |            |                         |        |                         |                              |                  |
| NET   | 348 lb (158 kg)                            | <p>FULL-SIZE PANS: 20" x 12" x 2-1/2"</p> <p>GN 1/1: 530 x 325 x 65mm</p> <p>HALF-SIZE PANS: 10" x 12" x 2-1/2"</p> <p>GN 1/2: 265 x 325 x 65mm</p> <p>HALF-SIZE SHEET PANS:* 18" x 13" x 1"</p> <p>ON WIRE SHELVES ONLY</p>   |                    | Six (6)                               |  | Four (4)      |                          |          |                          |          |                         |    |            |            |                         |        |                         |                              |                  |
| SHIP  | 472 lb (214 kg)                            |  |                    | Six (6)                               |  | Four (4)      |                          |          |                          |          |                         |    |            |            |                         |        |                         |                              |                  |
| CRATE   | 40" x 37" x 40" EST.                       |  |                    | Twelve (12)                           |  | Eleven (11)   |                          |          |                          |          |                         |    |            |            |                         |        |                         |                              |                  |
| DIMENSIONS:   | (1016 x 940 x 1016mm)                      |  |                    | Twelve (12)                           |  | Eleven (11)   |                          |          |                          |          |                         |    |            |            |                         |        |                         |                              |                  |
|   |  |  |                    | Six (6)                               |  | Five (5)      |                          |          |                          |          |                         |    |            |            |                         |        |                         |                              |                  |
|   |  |  |                    | 72 lb (33 kg) MAXIMUM                 |  |               |                          |          |                          |          |                         |    |            |            |                         |        |                         |                              |                  |
|   |  |  |                    | VOLUME MAXIMUM: 45 QUARTS (57 LITERS) |  |               |                          |          |                          |          |                         |    |            |            |                         |        |                         |                              |                  |

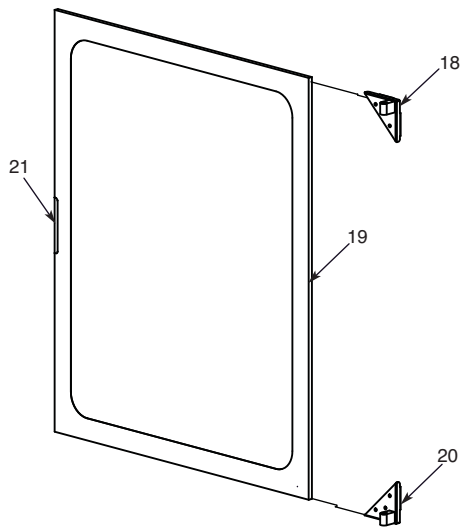
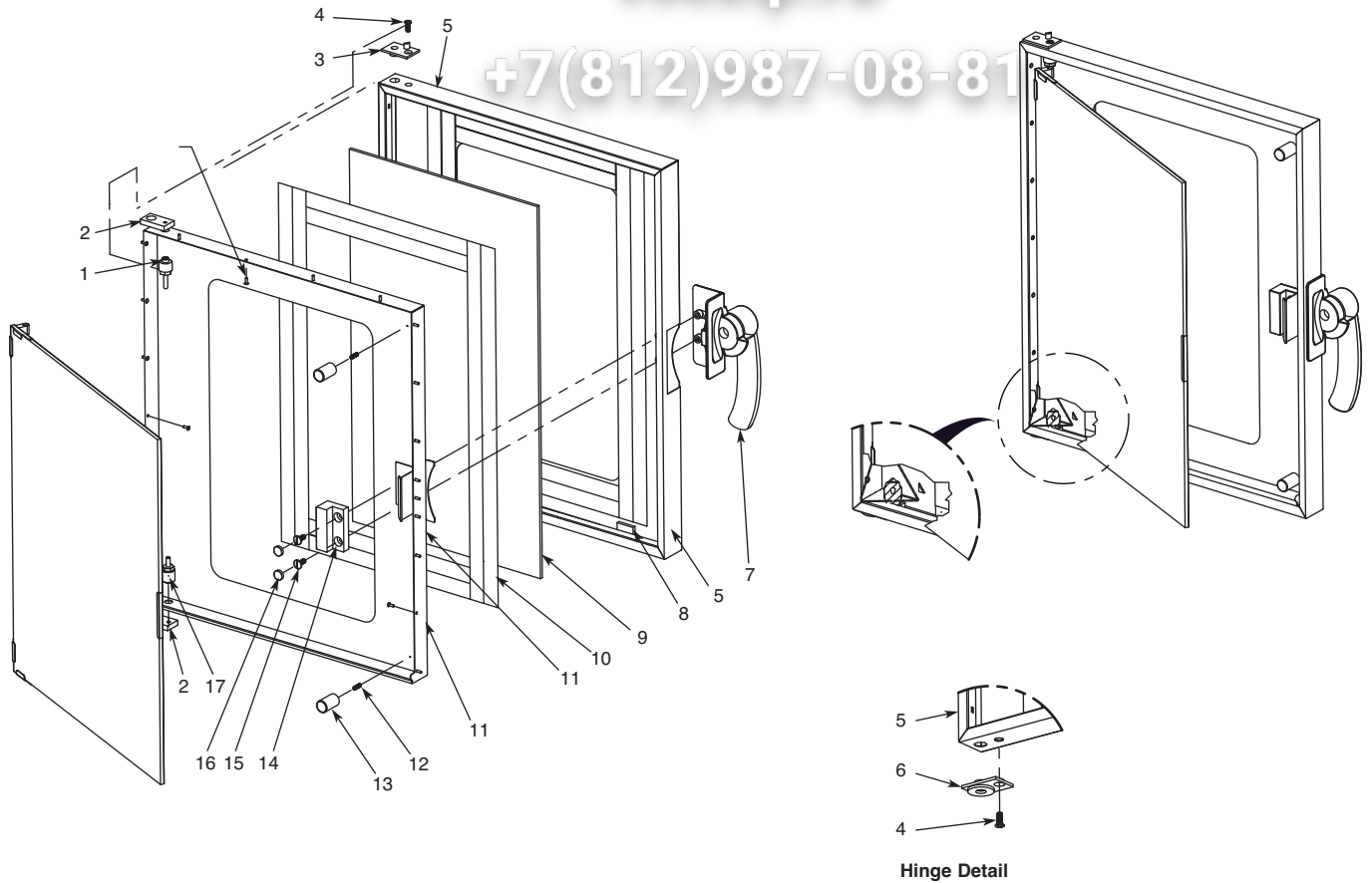
\*ADDITIONAL WIRE SHELVES REQUIRED FOR MAXIMUM CAPACITY

ELECTRIC COMBITHERM — INSTALLATION MANUAL #7001

## DOOR ASSEMBLY

vsezip.ru

+7(812)987-08-81



| Item | Part     | Description  | Qty. |
|------|----------|--|------|
| 1    | PI-26973 | Pin, Upper   | 1    |
| 2    | HG-25078 | Hinge, CT, Anchor, ML Combis                                 | 2    |
| 3    | HG-25077 | Hinge, CT, Top Stop, ML Combi                                | 1    |
| 4    | SC-22282 | Screw, CT, 1.0X 16 mm, Ph Oval, Hd N/S 18-8, DIN #966a       | 2    |
| 5    | 1006287  | Outer Panel, Door  | 1    |
| 6    | HG-25079 | Hinge, CT, Upper Ratchet, Combi                              | 1    |
| 7    | HD-26966 | Handle, Door, Right, Combi '06                               | 1    |
| 8    | BM-27116 | Bumper   | 2    |
| 9    | GL-27226 | Glass, Outer, 6.10 Narrow                                    | 1    |
| 10   | TA-25125 | Tape, Double Sided   | 2    |
| 11   | 5005084  | Inner Door Spot Right-Hand 6.10 Narrow                       | 1    |
| 12   | SC-25091 | Screw, CT, M5 x 16, DIN 551, A2 S/S, Slt'd Set Screw Flat Pt | 2    |
| 13   | BM-27146 | Bumper Stop/Inner Door                                       | 2    |
| 14   | SP-27212 | Spacer, Window Latch   | 1    |
| 15   | SC-27125 | Screw, Truss Head, S/S                                       | 2    |
| 16   | PG-24789 | Plug, 15 mm  | 2    |
| 17   | PI-26974 | Pin, Lower   | 1    |
| 18   | HG-27217 | Lower Hinge Assembly   | 1    |
| 19   | GL-27227 | Glass, Inner, 6.20 INEP                                      | 1    |
| 20   | HG-27218 | Upper Hinge Assembly   | 1    |
| 21   | LT-25394 | Latch, CT, ML, 7.1 ML  | 1    |

**PARTS INFORMATION** **Всёzip** **Общепит**  
**RECESSED DOOR ASSEMBLY**

**vsezip.ru**

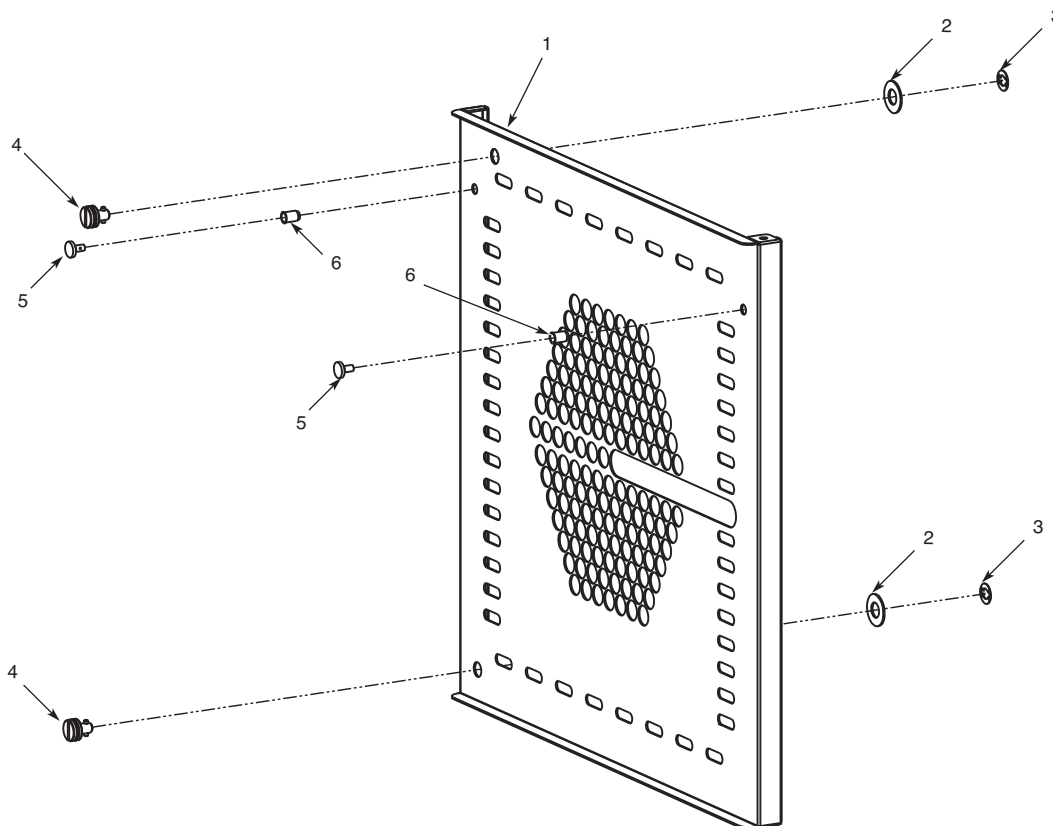
**+7(812)987-08-81**

**(Contact factory.)**

## DIRECTIONAL PANEL ASSEMBLY

vsezip.ru

+7(812)987-08-81

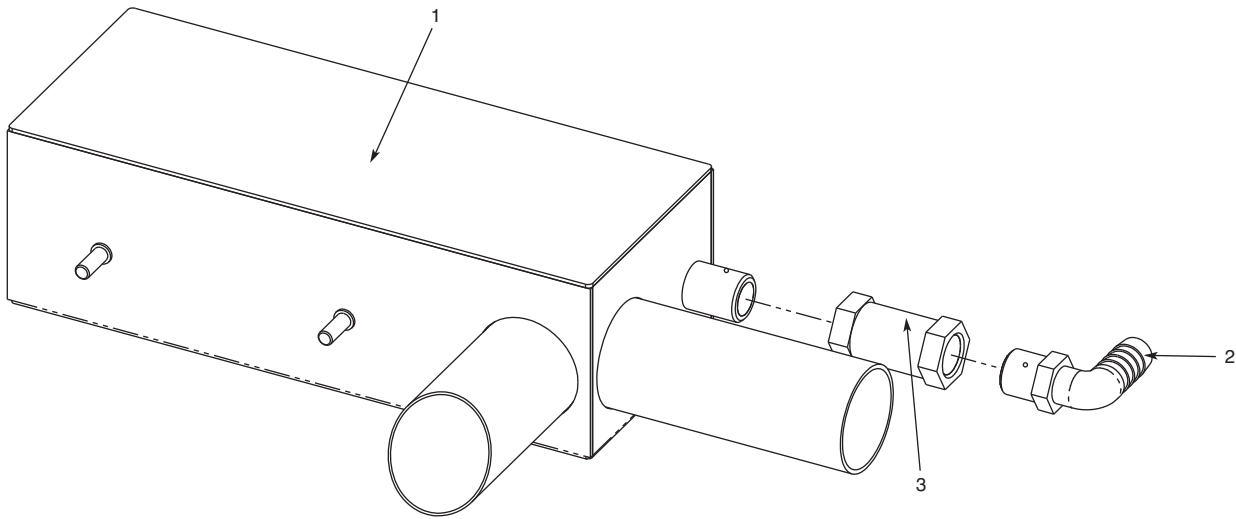
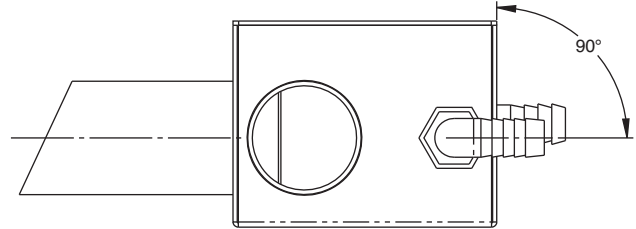


| Item | Part     | Description                     | Qty. |
|------|----------|---------------------------------|------|
| 1    | 1005297  | Directional Panel               | 1    |
| 2    | 1006601  | Directional Panel Spacer        | 2    |
| 3    | WS-24090 | Holding (Lock Clip)             | 2    |
| 4    | CL-24089 | Clip, CT, ML, Lock, W/3 Washers | 2    |
| 5    | SC-22753 | Screw, SS Round, Hanging Rack   | 2    |
| 6    | NU-22770 | Nut, Threaded Insert, M6        | 2    |

**PARTS INFORMATION** **Всezip**  
**PRESSURE BOX ASSEMBLY**

vsezip.ru

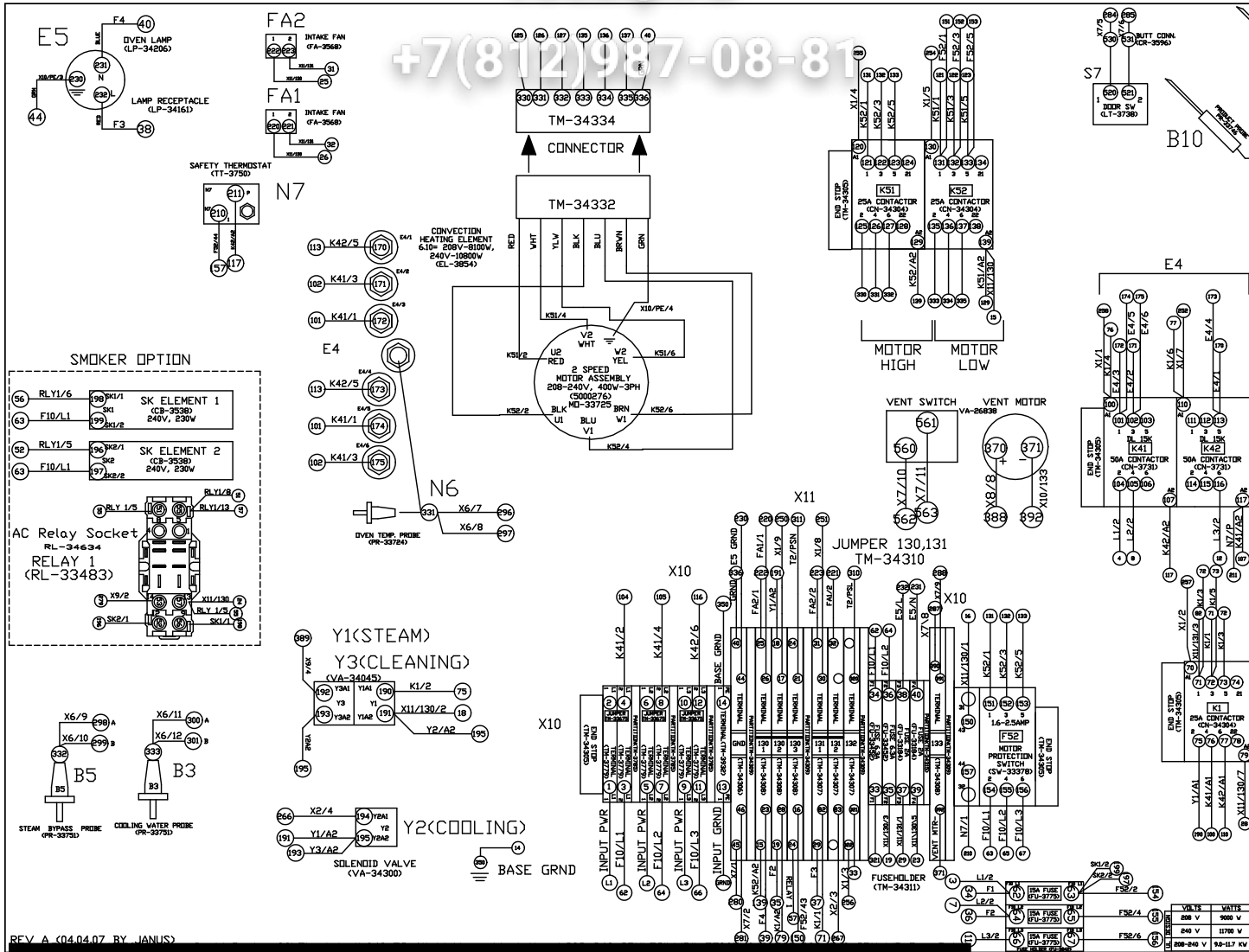
+7(812)987-08-81



| Item | Part     | Description                         | Qty. |
|------|----------|-------------------------------------|------|
| 1    | 5005009  | Pressure Box                        | 1    |
| 2    | EB-25551 | Elbow, Nylon, 1/2" x 3/8"           | 1    |
| 3    | VA-25549 | Valve, 3/8", Flow Control, 0.12 GPM | 1    |



+7(812)987-08-81



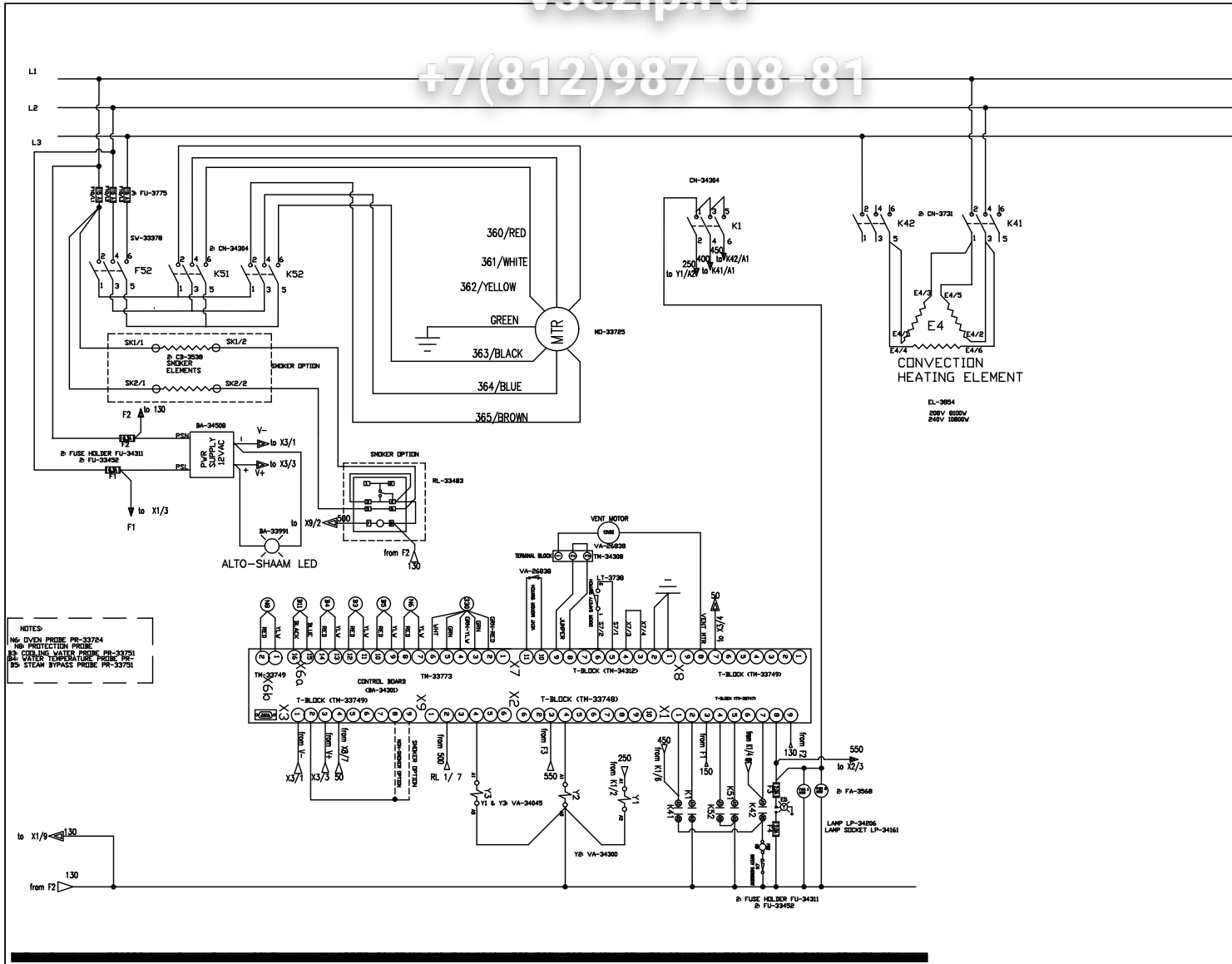
REV. A (04.04.07 BY JANUS)

CUTSHEET IN SAME DIRECTORY

# Зип Общепит

## vsezip.ru

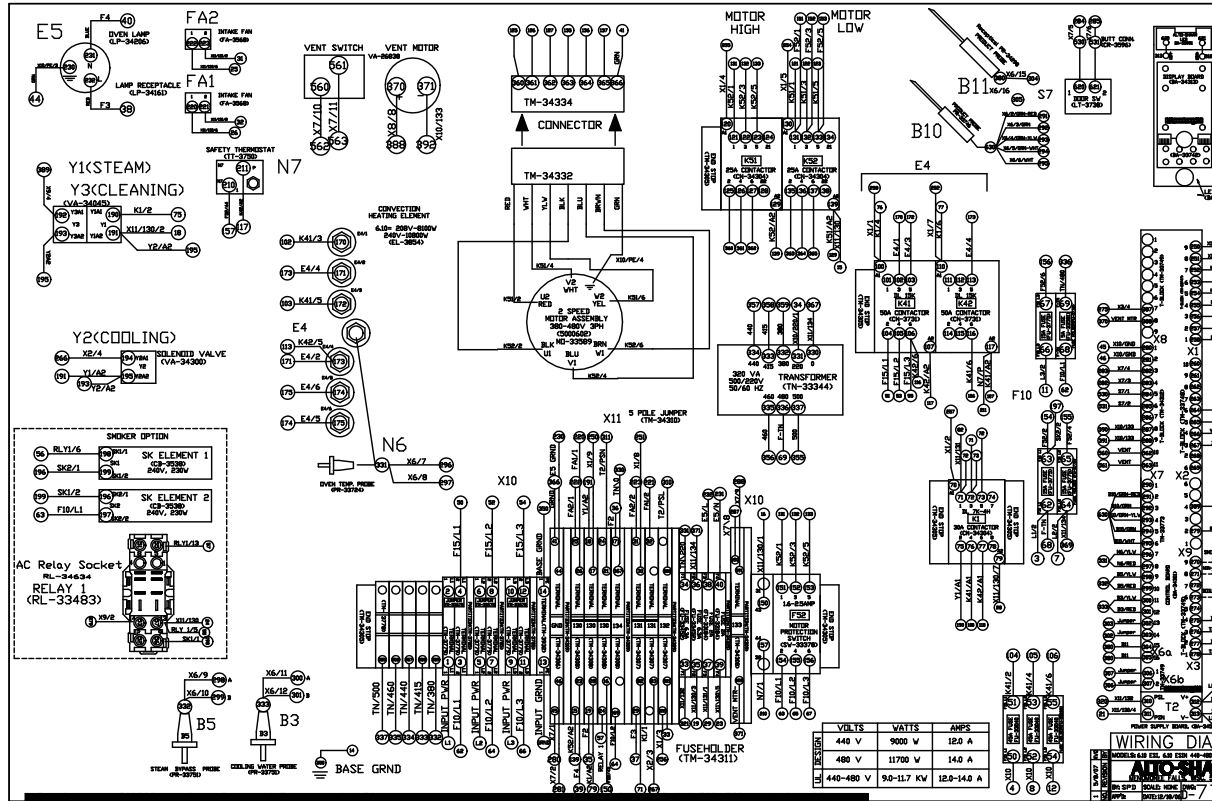
### +7(812)987-08-81



# Зип Общепит

## vsezip.ru

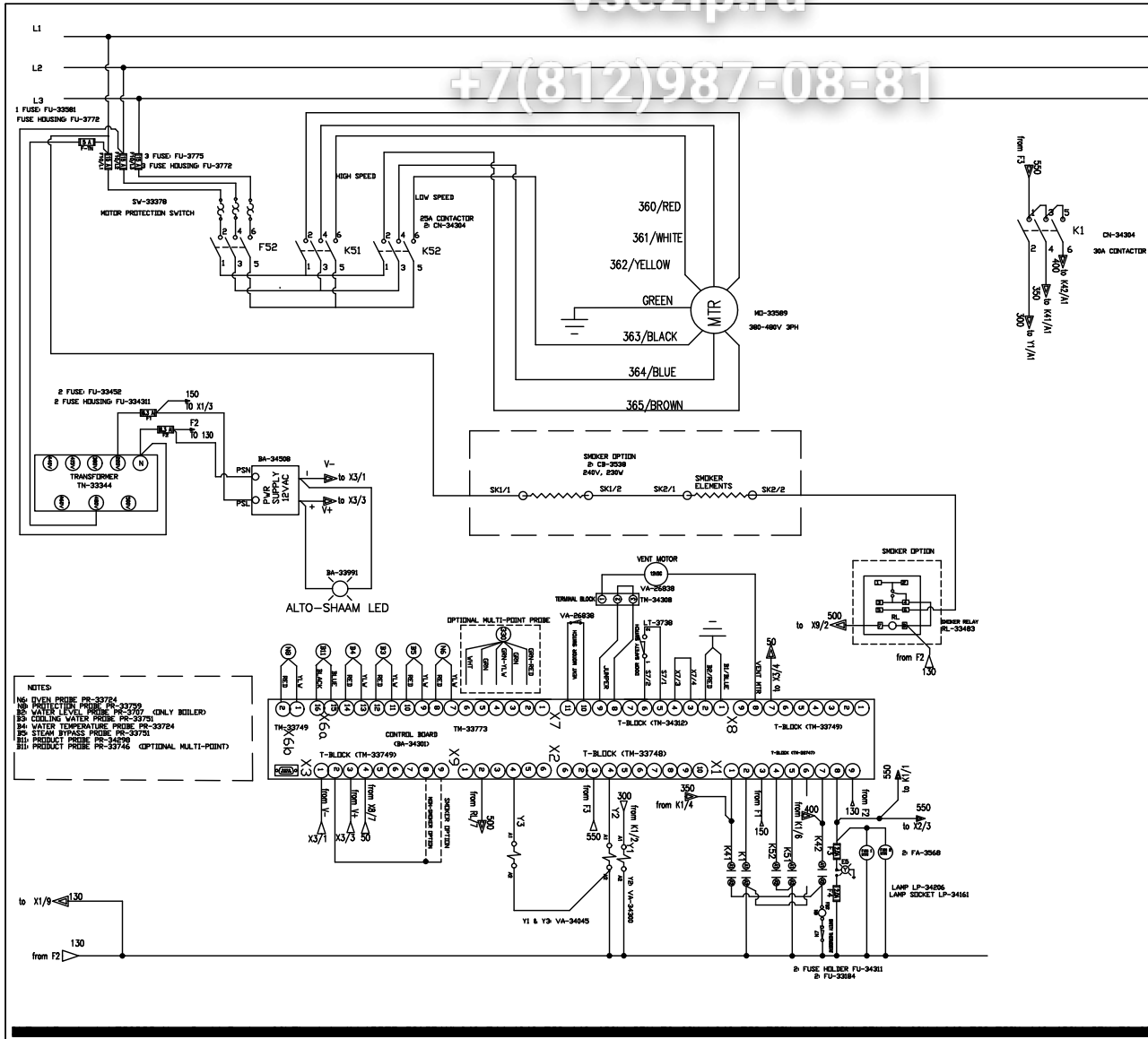
### +7(812)987-08-81



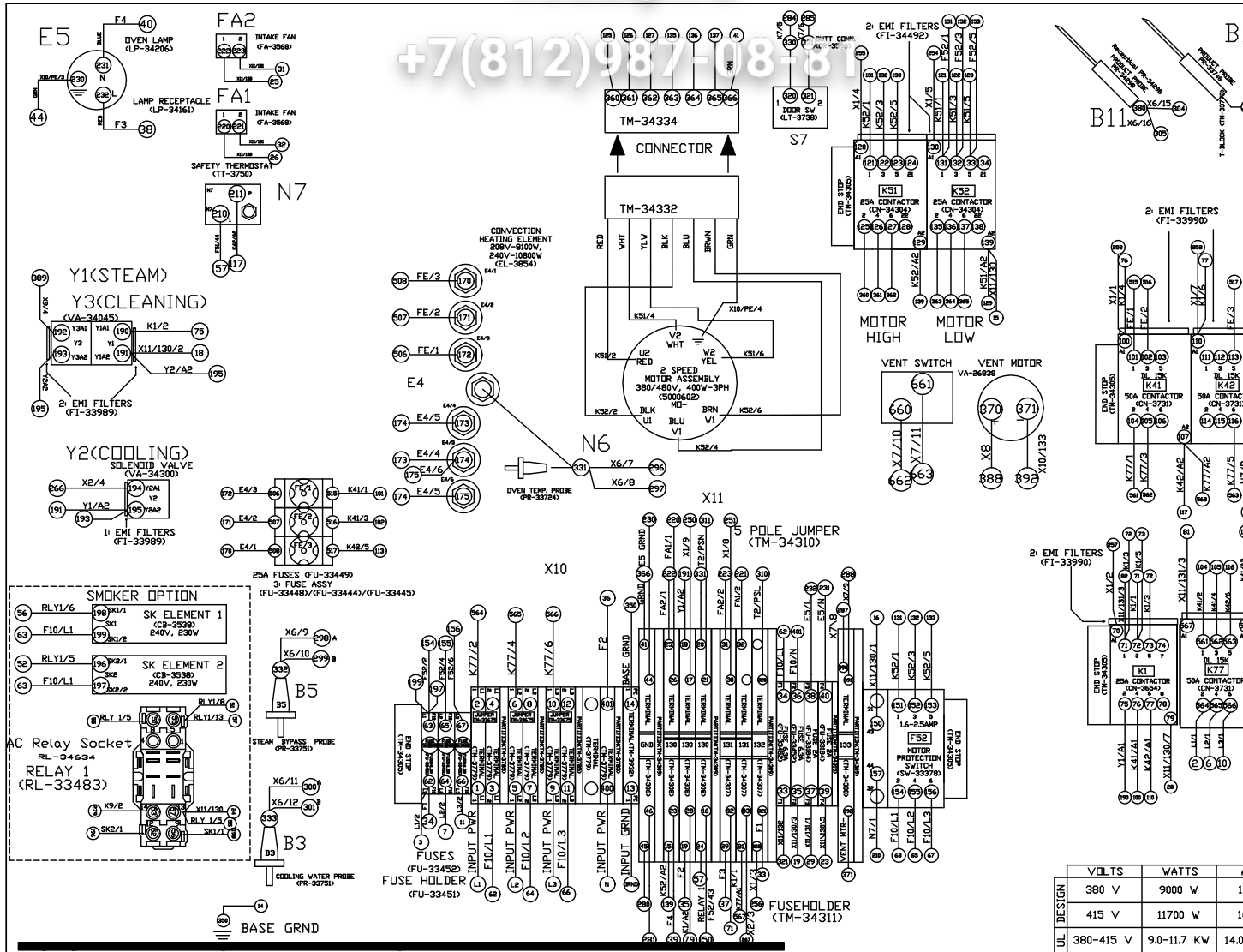
# Зип Общепит

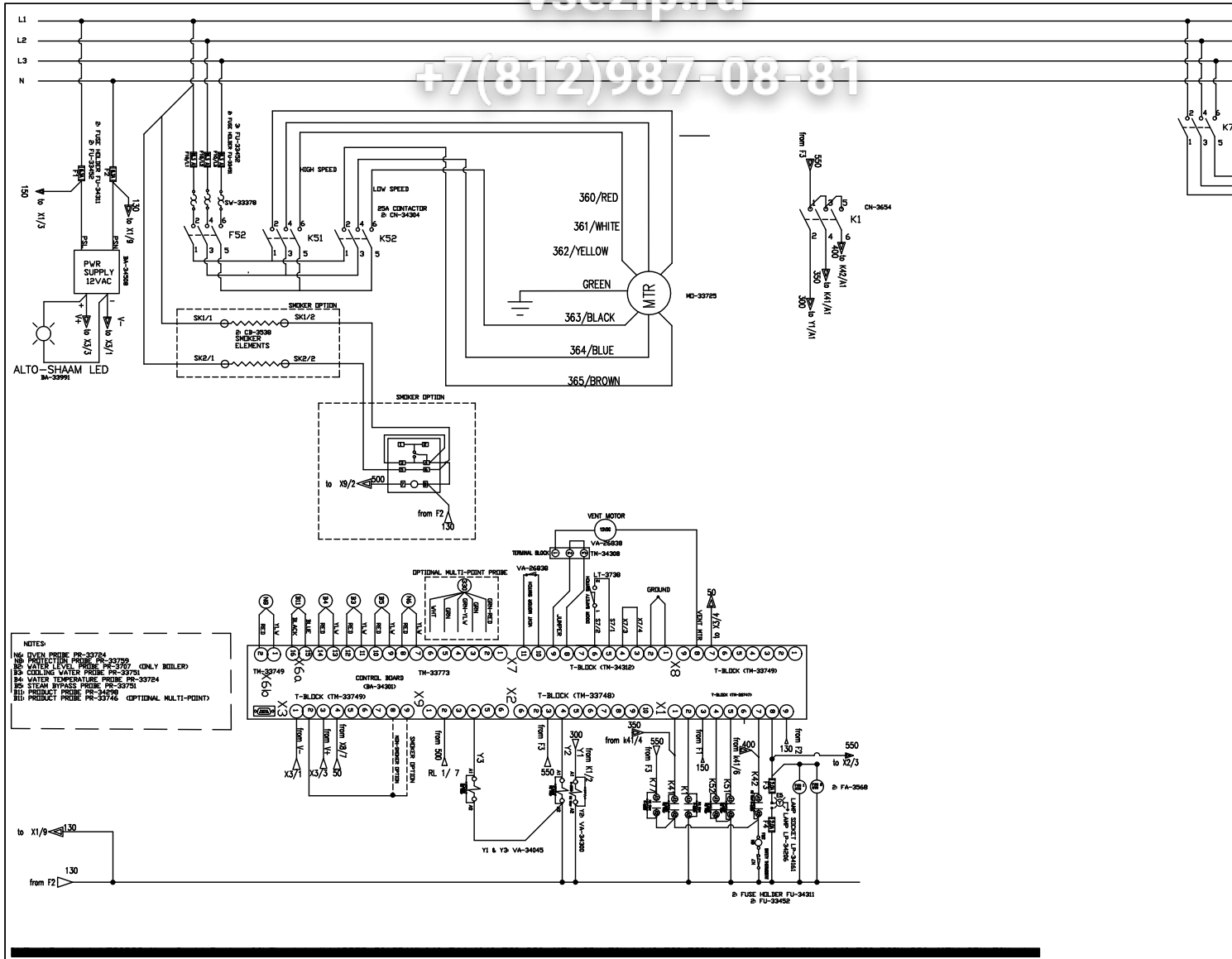
## vsezip.ru

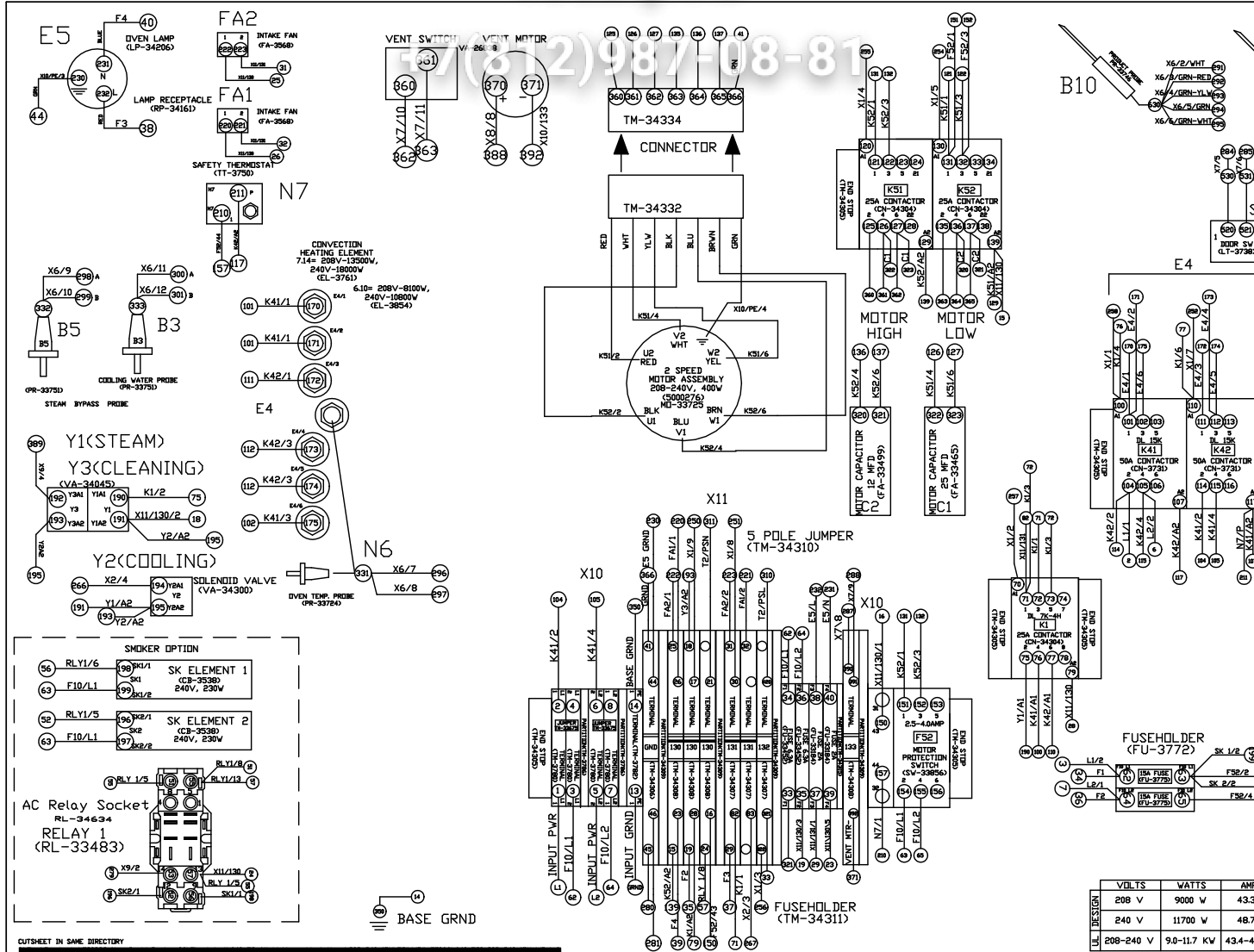
### +7(812)987-08-81



+7(812)987-0831







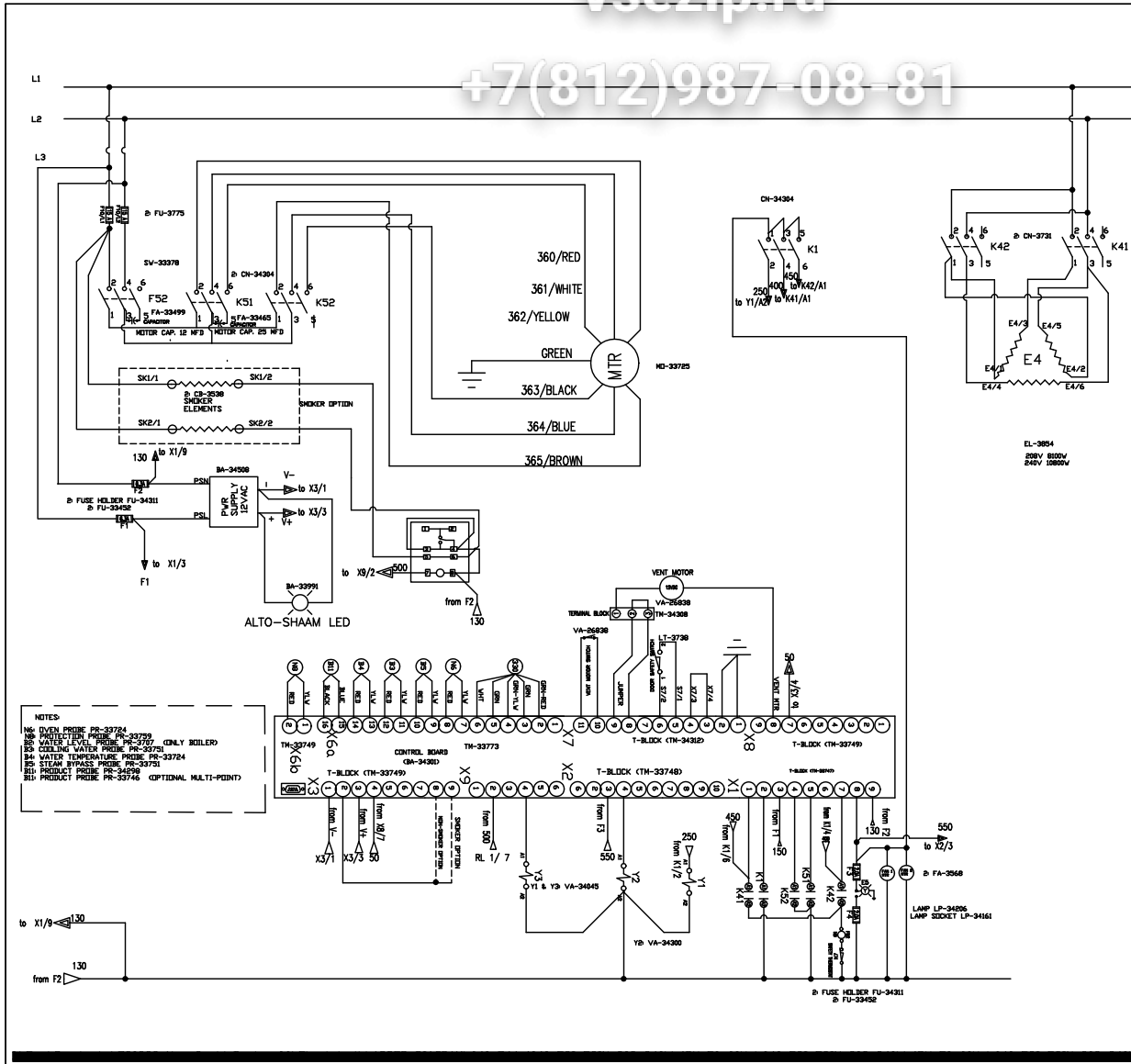
CUTSHEET IN SAME DIRECTORY

| LINE DESIGN | VOLTS     | WATTS       | AMP       |
|-------------|-----------|-------------|-----------|
|             | 208 V     | 9000 W      | 43.3      |
|             | 240 V     | 11700 W     | 48.7      |
|             | 208-240 V | 9.0-11.7 KW | 43.4-48.7 |

# Зип Общепит

## vsezip.ru

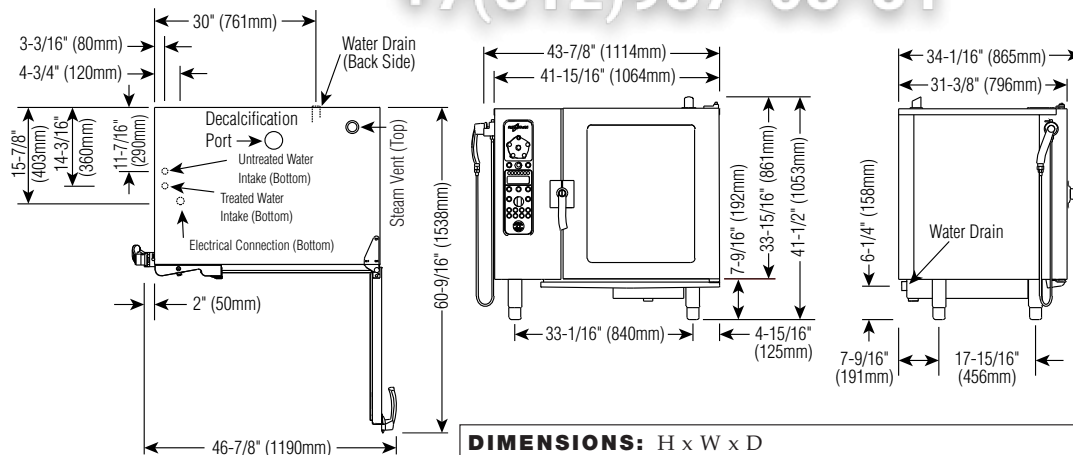
### +7(812)987-08-81





## SECTION CONTENTS

|  |                  |     |
|--|------------------|-----|
| Technical Data.....                    | vsezip.ru        | 146 |
| Parts Information.....                 | +7(812)987-08-81 | 147 |
| Door Assembly.....                     |                  | 147 |
| Recessed Door Assembly .....           |                  | 148 |
| Directional Panel Assembly .....       |                  | 149 |
| Steam Generator Assembly .....         |                  | 150 |
| Wiring and Ladder Diagrams .....       |                  | 151 |
| 208-240V 3PH 50/60 Hz Wiring .....     |                  | 151 |
| 208-240V 3PH 50/60 Hz Ladder.....      |                  | 152 |
| 440-480V 3PH 50/60 Hz Wiring .....     |                  | 153 |
| 440-480V 3PH 50/60 Hz Ladder.....      |                  | 154 |
| 380-415V 3PH 50 Hz Wiring .....        |                  | 155 |
| 380-415V 3PH 50 Hz Ladder .....        |                  | 156 |
| 208-240V 1PH 50/60 Hz Wiring .....     |                  | 157 |
| 208-240V 1PH 50/60 Hz Ladder.....      |                  | 158 |
| Return to Main Table of Contents ..... |                  | 3   |



|  |  |
|--|--|
| <b>DIMENSIONS: H x W x D</b>           |  |
| <b>EXTERIOR:</b>                       | 41-1/2" x 43-7/8" x 34-1/16" (1053mm x 1114mm x 865mm) |
| <b>EXTERIOR WITH RETRACTABLE DOOR:</b> | 41-1/2" x 47-7/8" x 34-1/16" (1053mm x 1216mm x 865mm) |
| <b>INTERIOR:</b>                       | 27" x 23-1/2" x 21-1/16" (685mm x 597mm x 535mm)       |

**INSTALLATION REQUIREMENTS**  
 Oven must be installed level.  
 Hood installation is required.  
 Water supply shut-off valve and back-flow preventer.

**WATER REQUIREMENTS**  
**TWO (2) COLD WATER INLETS - DRINKING QUALITY**  
 ONE (1) TREATED WATER INLET: 3/4" NPT\*  
 ONE (1) UNTREATED WATER INLET: 3/4" NPT\*  
 LINE PRESSURE: 30 to 90 psi 2.8 to 6.2 bar  
**WATER DRAIN:** 1-1/2" CONNECTION WITH AIR GAP  
 \* Can manifold off of one 3/4" line.

**WATER QUALITY MINIMUM STANDARDS**  
 USING A WATER SUPPLY NOT MEETING ALTO-SHAAM'S MINIMUM WATER QUALITY STANDARDS WILL VOID THIS WARRANTY. It is the responsibility of the purchaser to ensure that incoming water supply is compliant with the specifications listed through adequate treatment measures. Installation of the CombiGuard™ Water Filtration System is recommended, but this system may not address all water quality issues present.

**CLEARANCE REQUIREMENTS**  
**LEFT:** 6" (152mm) PLUS SERVICE ACCESS: 18" (457mm) RECOMMENDED 20" (508mm) FROM HEAT PRODUCING EQUIPMENT  
**RIGHT:** 4" (102mm) **TOP:** 20" (508mm) FOR AIR MOVEMENT  
**BACK:** 4" (102mm) **BOTTOM:** 5-1/8" (130mm) FOR LEGS  
 COUNTER-TOP INSTALLATIONS MUST MAINTAIN 4" (102mm) MINIMUM CLEARANCE FROM COUNTER SURFACE.

| Contaminant                  | Inlet Water Requirements (untreated water) |
|------------------------------|--|
| Free Chlorine                | Less than 0.1 ppm (mg/L)                   |
| Hardness                     | Less than 3 gpg (52 ppm)                   |
| Chloride                     | Less than 30 ppm (mg/L)                    |
| pH                           | 7.0 to 8.5                                 |
| Alkalinity                   | Less than 50 ppm (mg/L)                    |
| Silica                       | Less than 12 ppm (mg/L)                    |
| Total Dissolved Solids (tds) | Less than 60 ppm                           |

| <b>ELECTRICAL</b> |         |       |          |                    |         |      |
|-------------------|---------|-------|----------|--------------------|---------|------|
|                   | VOLTAGE | PHASE | CYCLE/HZ | AWG                | AMPS    | kW   |
| 208-240           | at 208  | 1*    | 50/60    | 2 Wire plus ground | 67.0    | 13.9 |
|                   | at 240  |       |          | AWG 3              | 77.0    | 18.4 |
| 208-240           | at 208  | 3     | 50/60    | 3 Wire plus ground | 38.5/ph | 13.8 |
|                   | at 240  |       |          | AWG 6              | 44.0/ph | 18.3 |
| 380-415           | at 380  | 3     | 50/60    | 4 Wire plus ground | 21.5/ph | 14.2 |
|                   | at 415  |       |          | AWG 10             | 25.6/ph | 18.4 |
| 440-480           | at 440  | 3*    | 50/60    | 3 Wire plus ground | 20.0/ph | 15.4 |
|                   | at 480  |       |          | AWG 8              | 22.0/ph | 18.4 |

\* ELECTRICAL SERVICE CHARGE APPLIES

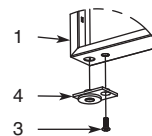
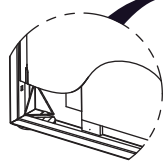
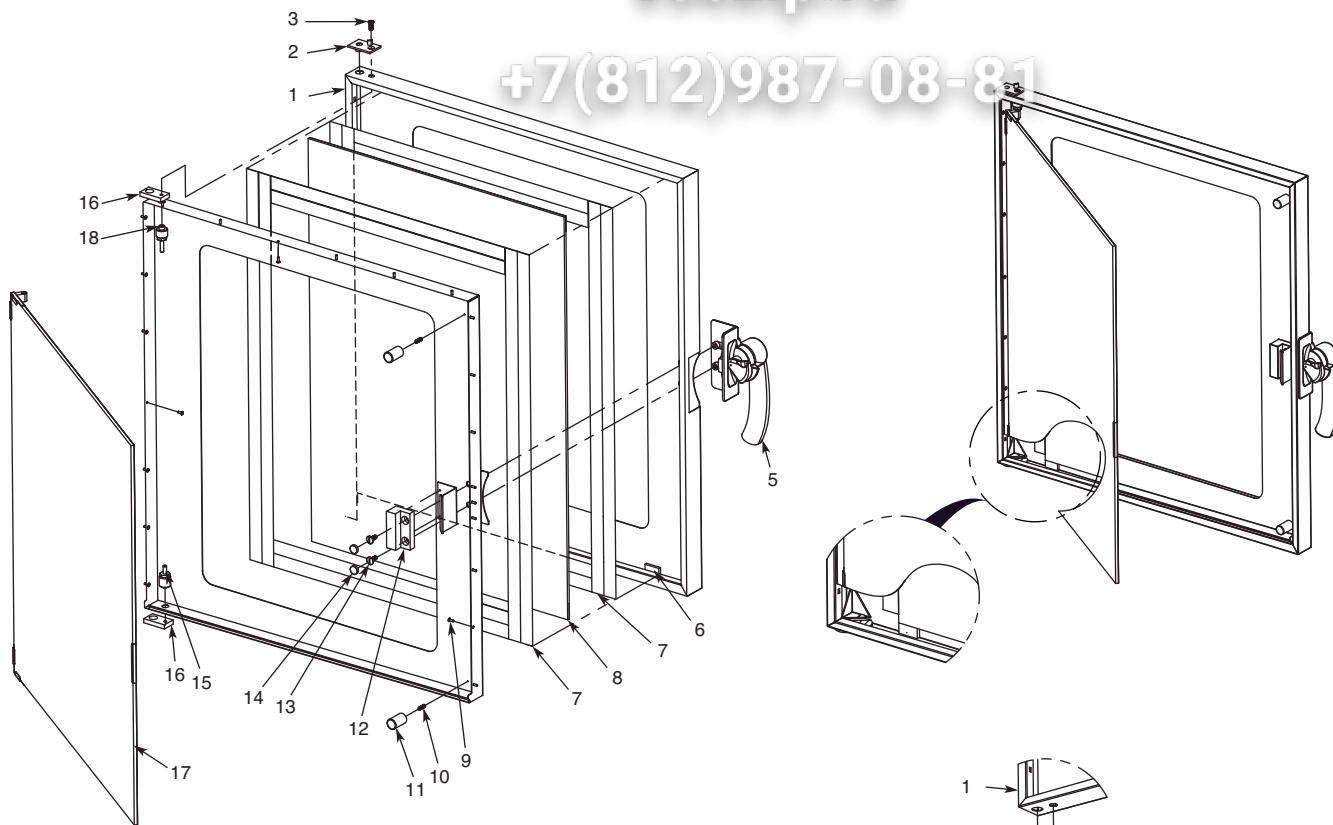
| <b>WEIGHT</b>                            |                 | <b>CAPACITY</b>                       |                    |          |
|--|-----------------|---------------------------------------|--------------------|----------|
| <b>NET</b>                               | 404 lb (183 kg) | <b>FULL-SIZE PANS:</b>                | 20" x 12" x 2-1/2" | Ten (10) |
|  |                 | <b>GN 1/1:</b>                        | 530 x 325 x 65mm   | Ten (10) |
| <b>SHIP</b>                              | 528 lb (239 kg) | <b>HALF-SIZE SHEET PANS:*</b>         | 18" x 13" x 1"     | Ten (10) |
| <b>CRATE</b>                             |                 | ON WIRE SHELVES ONLY                  |                    |          |
| 49" x 47" x 37" EST.                     |                 | 120 lb (54 kg) MAXIMUM                |                    |          |
| <b>DIMENSIONS:</b> (1245 x 1194 x 940mm) |                 | VOLUME MAXIMUM: 75 QUARTS (95 LITERS) |                    |          |

\*ADDITIONAL WIRE SHELVES REQUIRED FOR MAXIMUM CAPACITY

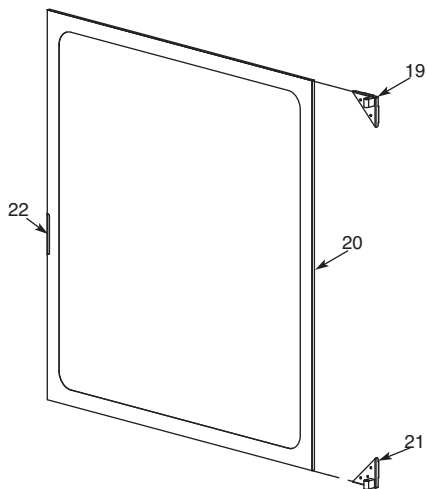
## DOOR ASSEMBLY

vsezip.ru

+7(812)987-08-81



Hinge Detail



| Item | Part     | Description   | Qty. |
|------|----------|---|------|
| 1    | 1006880  | Outer Panel, Door 10.10                                     | 1    |
| 2    | HG-25077 | Hinge, CT, Top Stop, ML Combi                               | 1    |
| 3    | SC-22282 | Screw, CT, 1.0 x 16 mm, Ph Oval, Hd N/S 18-8, DIN #966A     | 2    |
| 4    | HG-25079 | Hinge, CT, Upper Ratchet, Combi                             | 1    |
| 5    | HD-26966 | Handle, Door, Right, Combi '06                              | 1    |
| 6    | BM-27116 | Bumper  | 2    |
| 7    | TA-25125 | Tape, Double Sided  | 2    |
| 8    | GL-27224 | Glass, Outer Door, 10.10/10.18ep                            | 1    |
| 9    | RI-27108 | Rivet, Sealed   | 22   |
| 10   | SC-25091 | Screw, CT, M5 x 16, DIN 551, A2 S/S, Sltd Set Screw Flat Pt | 2    |
| 11   | BM-27146 | Bumper Stop/Inner Door                                      | 2    |
| 12   | SP-27212 | Spacer, Window Latch  | 1    |
| 13   | SC-27125 | Screw, Truss Head, S/S                                      | 2    |
| 14   | PG-24789 | Plug, 15 mm   | 2    |
| 15   | PI-26974 | Pin, Lower  | 1    |
| 16   | HG-25078 | Hinge, CT, Anchor, ML Combis                                | 2    |
| 17   | 5005560  | Inner Door Glass Assembly                                   | 1    |
| 18   | PI-26973 | Pin, Upper  | 1    |
| 19   | HG-27217 | Lower Hinge Assembly  | 1    |
| 20   | GL-27225 | Glass, Inner  | 1    |
| 21   | HG-27218 | Upper Hinge Assembly  | 1    |
| 22   | LT-25394 | Latch, CT, ML, 7.1 ML                                       | 1    |

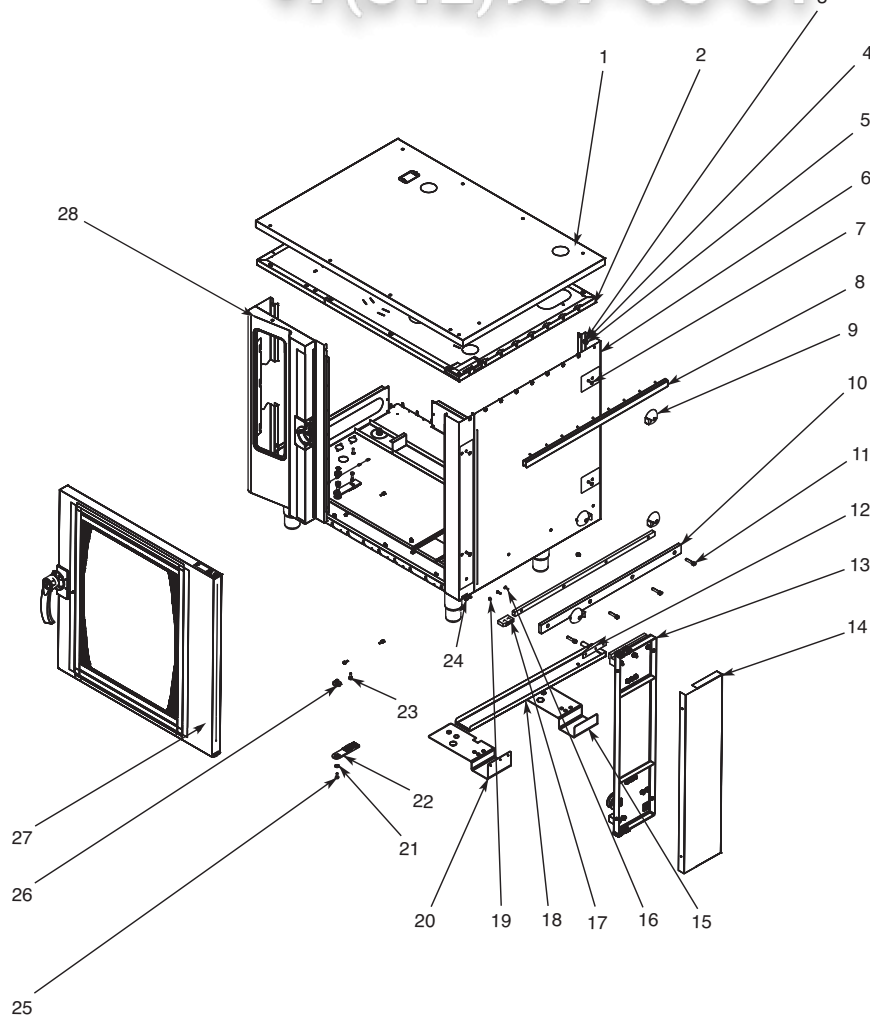
# PARTS INFORMATION

## РЕЦЕССИВНЫЙ ДВЕРНОЙ АССЕМБЛИ

### RECESSED DOOR ASSEMBLY

vsezip.ru

+7(812)987-08-81



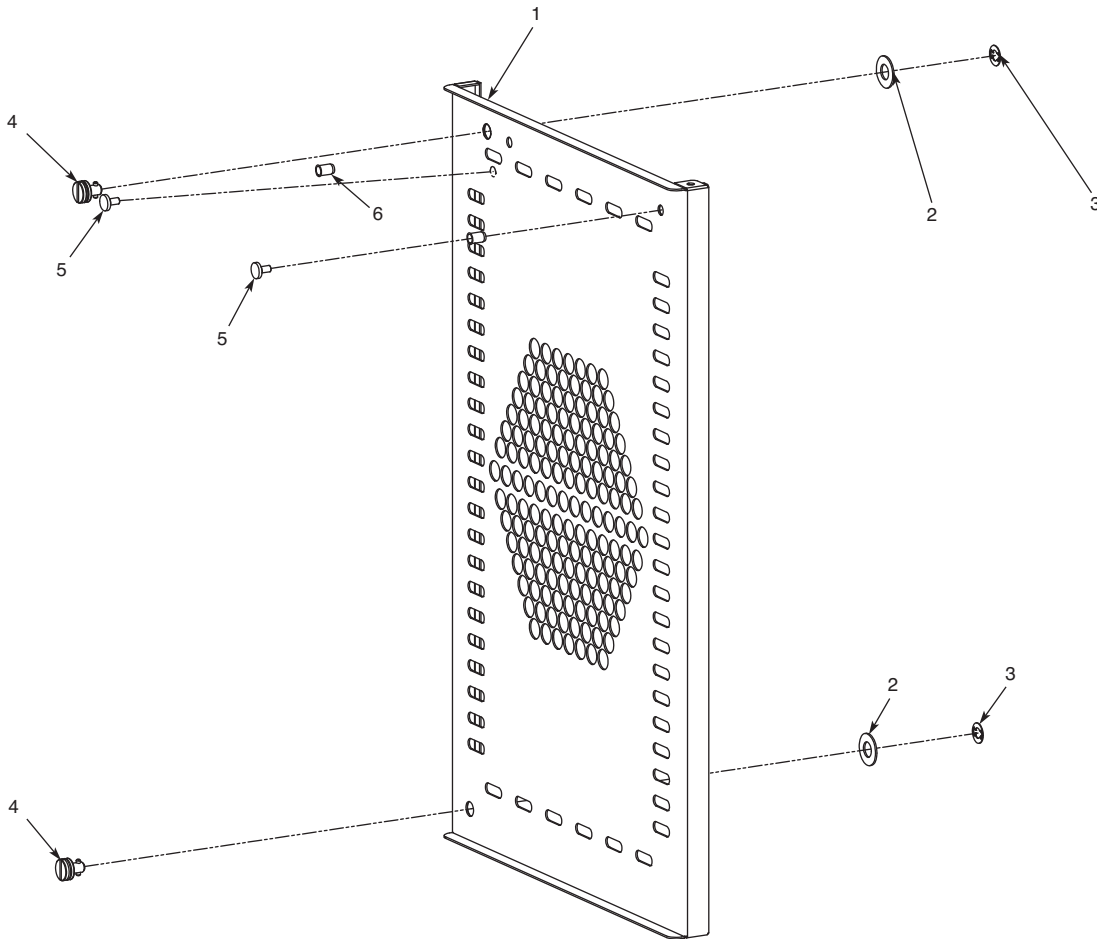
| Item | Part     | Description                        | Qty. |
|------|----------|------------------------------------|------|
| 1    | 5008044  | Outer Cover Assembly               | 1    |
| 2    | 5005314  | Fill In Cover Assembly             | 1    |
| 3    | NU-22291 | M6-1.0 x Hex S/S Nut 18-8          | 26   |
| 4    | WS-22302 | Washer, Lock, M6, DIN 127B         | 26   |
| 5    | WS-22297 | Washer, Flat, M6, DIN 125          | 28   |
| 6    | 5008054  | Right Side Panel Assembly          | 1    |
| 7    | SC-27284 | M6 x 30 mm Philips Flat Head Screw | 5    |
| 8    | 5008045  | Channel Assembly                   | 1    |
| 9    | BK-27412 | Recessed Door Block                | 4    |
| 10   | RA-28212 | Rail, Bottom                       | 1    |
| 11   | SC-24388 | Screw, SHC M8 x 35 S/S             | 4    |
| 12   | BK-22100 | White Teflon, Cart Guide Block     | 1    |
| 13   | 5007898  | Trolley Assembly                   | 1    |
| 14   | 1008868  | Cover, Trolley                     | 1    |

| Item | Part     | Description                     | Qty. |
|------|----------|---------------------------------|------|
| 15   | 1008505  | Rear Bracket, Recessed          | 1    |
| 16   | SC-22281 | Screw, M5 x 16 Flat Head C Sink | 2    |
| 17   | BK-28252 | Block, Guide                    | 1    |
| 18   | 5008048  | Drip Pan Assembly               | 1    |
| 19   | SC-28262 | Screw, M5 x 5 Flat Head C Sink  | 1    |
| 20   | 1008506  | Front Bracket Recessed          | 1    |
| 21   | WS-22298 | Washer, M8, 18-8                | 1    |
| 22   | HG-28040 | Hinge                           | 1    |
| 23   | SC-22924 | M6 x 20 Hex Trim HD             | 2    |
| 24   | SC-28264 | Screw, SHC M5 X 25 S/S          | 2    |
| 25   | SC-22284 | Screw, M6 x 16 Hex S/S HD       | 1    |
| 26   | HG-25101 | Hinge, Lower, Ratchet           | 1    |
| 27   | 5007886  | Door Assembly Recessed 10.18    | 1    |
| 28   | PE-27614 | Front Panel Weld Assembly       | 1    |

## DIRECTIONAL PANEL ASSEMBLY

vsezip.ru

+7(812)987-08-81



| Item | Part     | Description                        | Qty. |
|------|----------|------------------------------------|------|
| 1    | 1005304  | Directional Panel, 10.10 Wide      | 1    |
| 2    | 1006601  | Directional Panel Spacer           | 2    |
| 3    | WS-24090 | Holding (Lock Clip), All Combis ML | 2    |
| 4    | CL-24089 | Clip, CT, ML, Lock, W/3 Washers    | 2    |
| 5    | SC-22753 | Screws, SS Round, Hanging Rack     | 2    |
| 6    | NU-22770 | Nut, Threaded Insert, M6           | 2    |
| *    | 5005542  | Fan Panel Assembly                 |      |

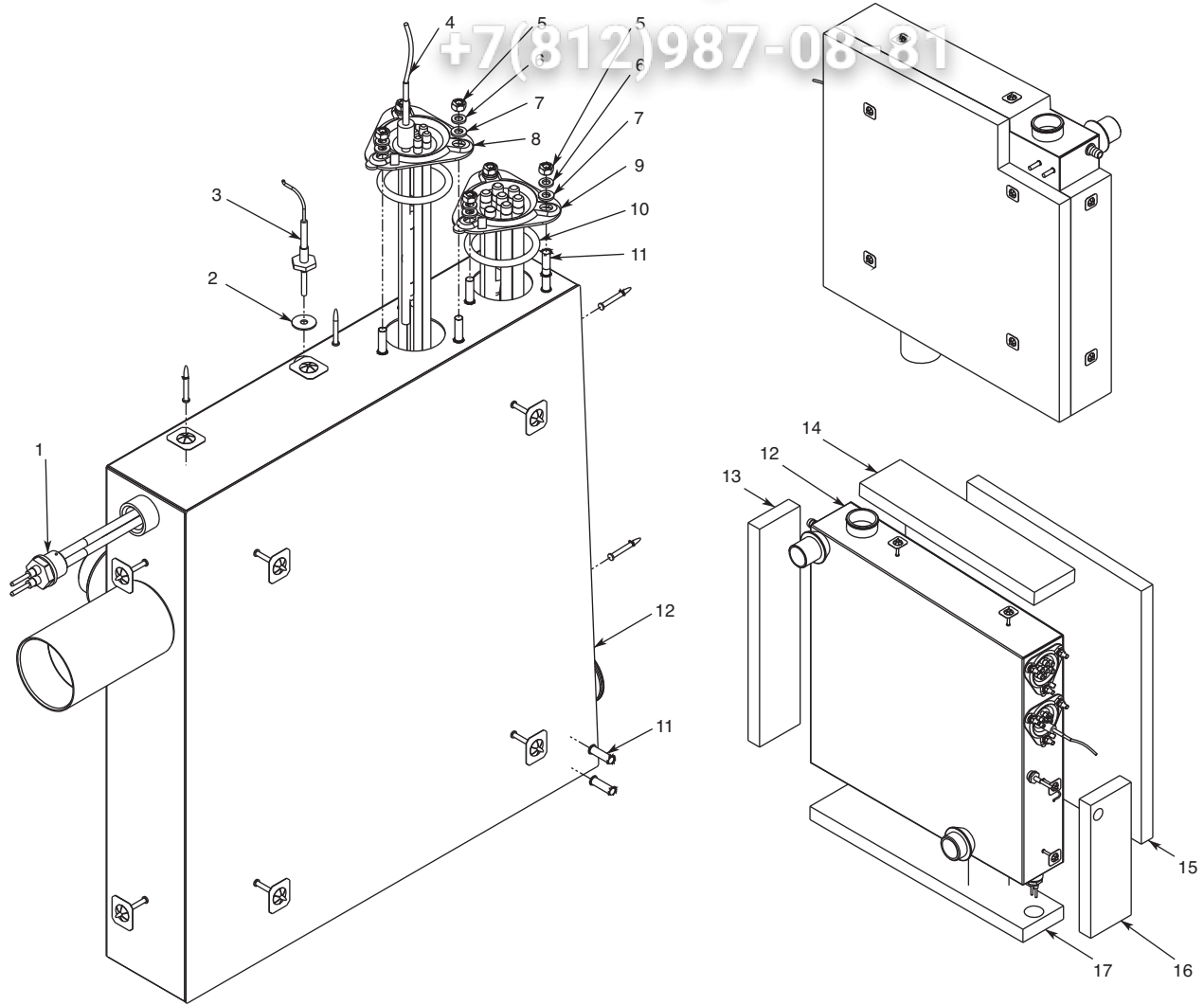
\*Item Not Shown

# PARTS INFORMATION

## STEAM GENERATOR ASSEMBLY

vsezip.ru

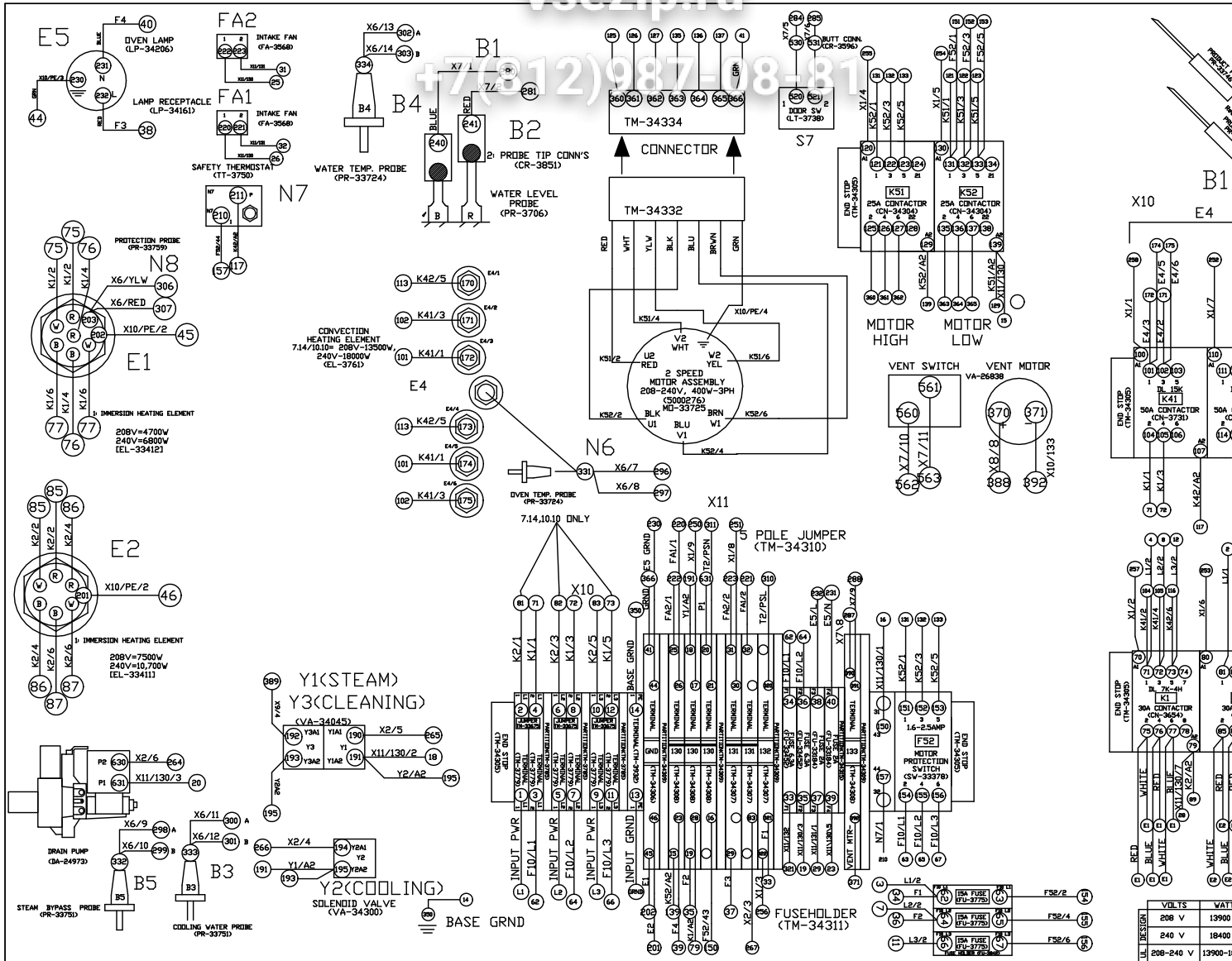
+7(812)987-08-81



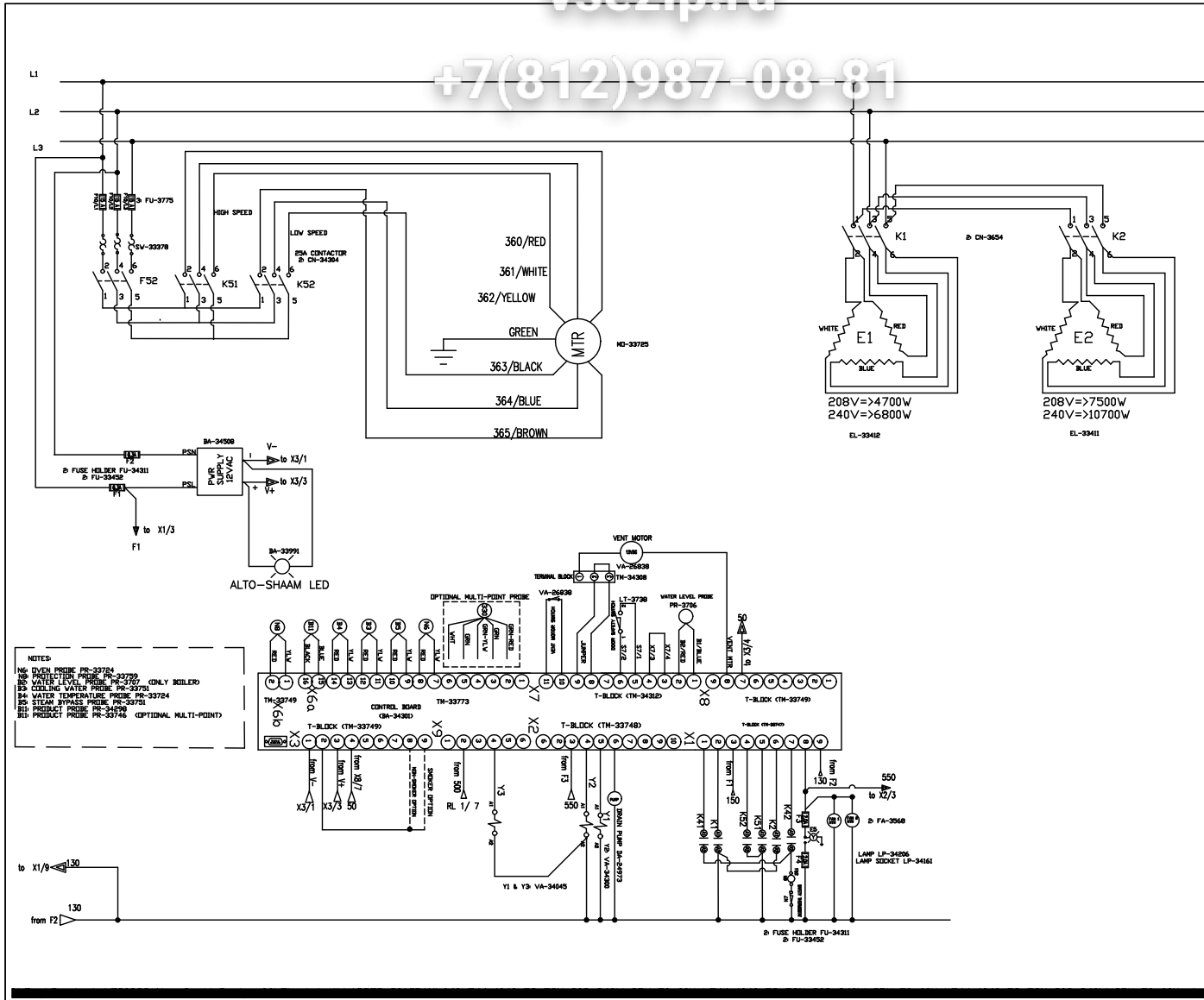
| Item | Part     | Description   | Qty. |
|------|----------|---|------|
| 1    | PR-3706  | CT, Water Lev. Lg 3/4" NPT Fitting, 316 S/S Electr. | 1    |
| 2    | SA-25061 | CT, T-Couple Probe, ML Combi                        | 1    |
| 3    | PR-33724 | CT, ML Combi, Thermocouple, 1650 mm Wire Length     | 1    |
| 4    | PR-33759 | CT, ML, Combi, Temperature Sensor                   | 1    |
| 5    | NU-22291 | M6-1.0 x Hex S/S Nut 18-8                           | 6    |
| 6    | WS-22302 | Washer, M6 DIN # 127B                               | 6    |
| 7    | WS-22297 | Washer, Flat, M6 DIN 125                            | 6    |
| 8    | EL-33412 | CT, Heater, ML, Combi Immersion, 6kw, Flanged       | 1    |
| 9    | EL-33411 | CT, Heater, ML, Combi Immersion, 9kw, Flanged       | 1    |
| 10   | SA-23932 | O-Ring, 14 mm x 2.5 mm Viton                        | 2    |
| 11   | ST-22278 | Stud M6 x 20 mm                                     | 8    |
| 12   | 5004590  | Generator Weld                                      | 1    |
| 13   | IN-27239 | Insulation, Steam Gen, Heater Side                  | 1    |
| 14   | IN-27241 | Insulation, Steam Gen, Top                          | 1    |
| 15   | IN-27238 | Insulation, Steam Gen, Drip Tube Side               | 1    |
| 16   | IN-27240 | Insulation, Steam Gen, Bottom                       | 1    |
| 17   | CL-22259 | Insulation Spike Cup                                | 12   |
| *    | IN-27237 | Insulation, Steam Gen, Back                         | 1    |

\*Item Not Shown

7(812)987-0881

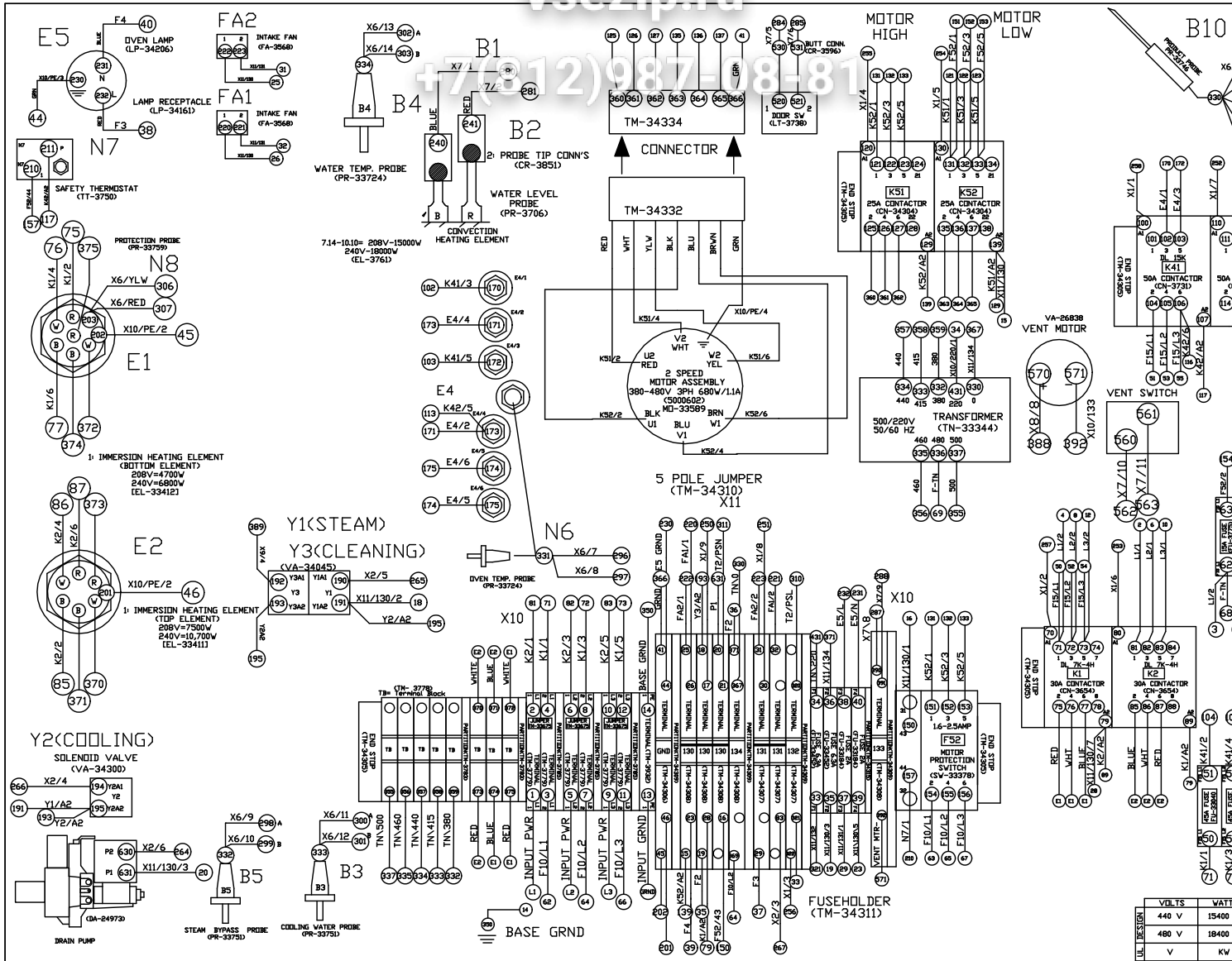


| WIRE SIZE | VOLTS       | WATT |
|-----------|-------------|------|
| 208 V     | 13900       |      |
| 240 V     | 18400       |      |
| 208-240 V | 13900-18400 |      |





7(812)987-98181

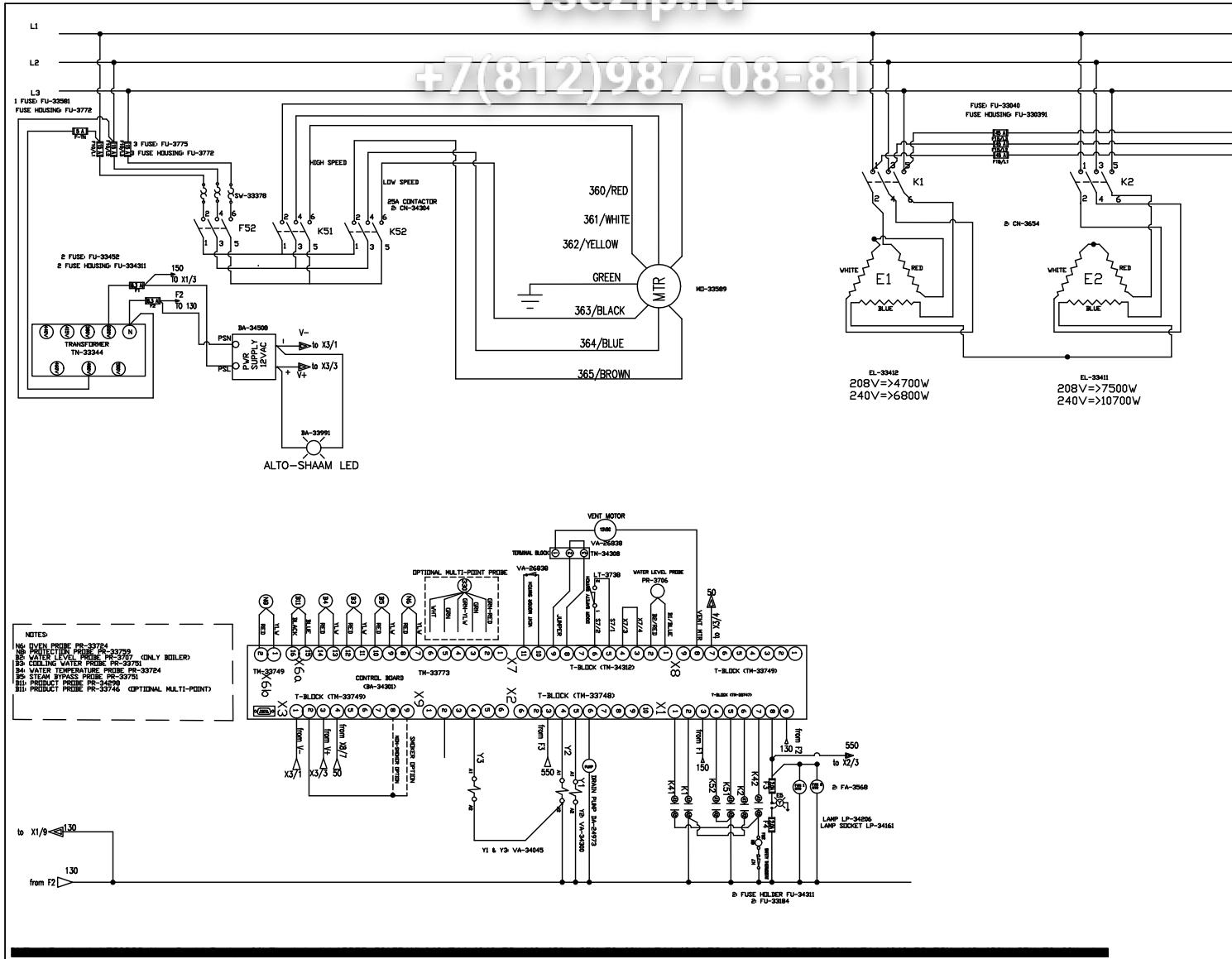


| VOLTS | WATTS |
|-------|-------|
| 440 V | 15400 |
| 480 V | 18400 |
| V     | KW    |

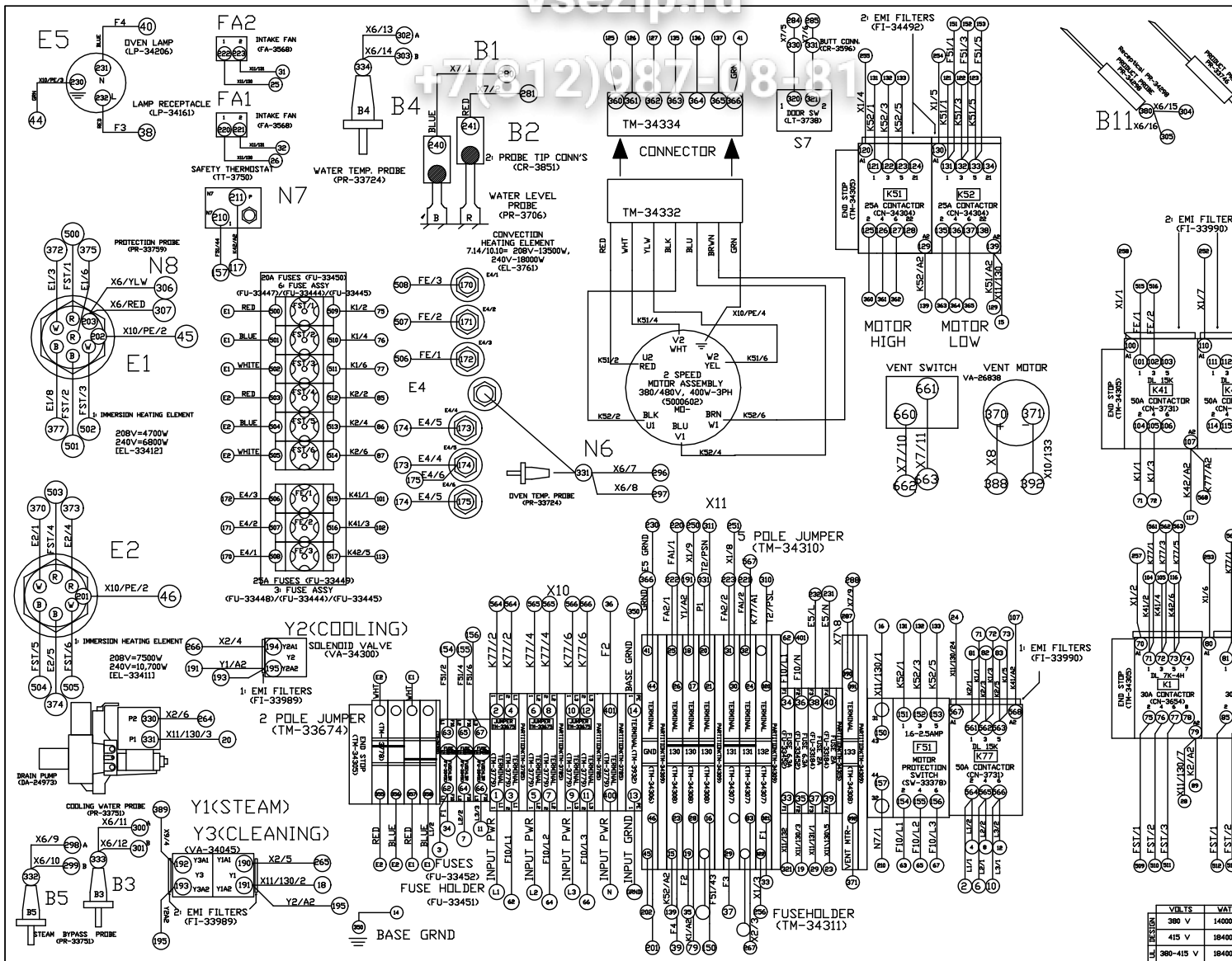
# Зип Общепит

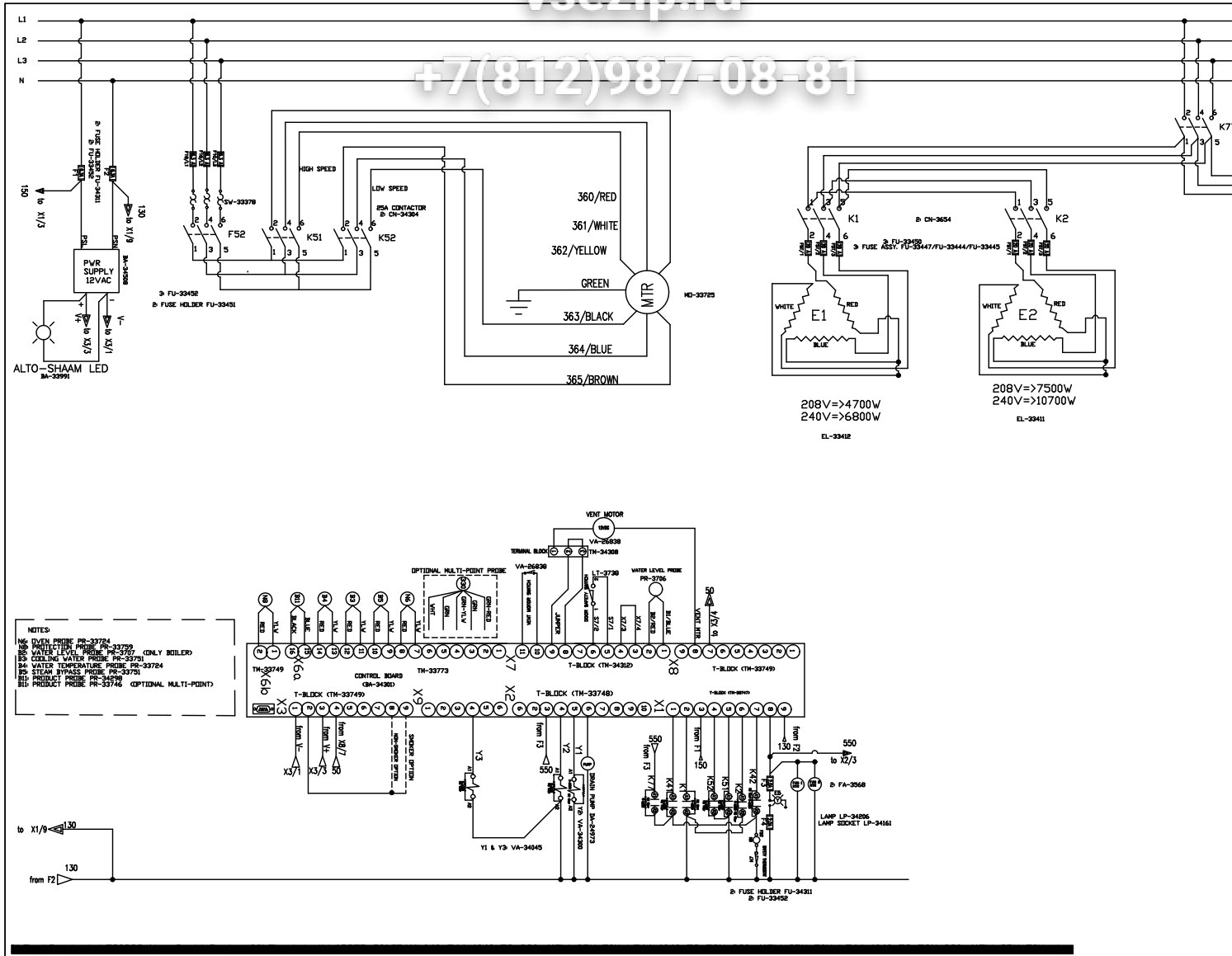
## vsezip.ru

+7(812)987-08-81

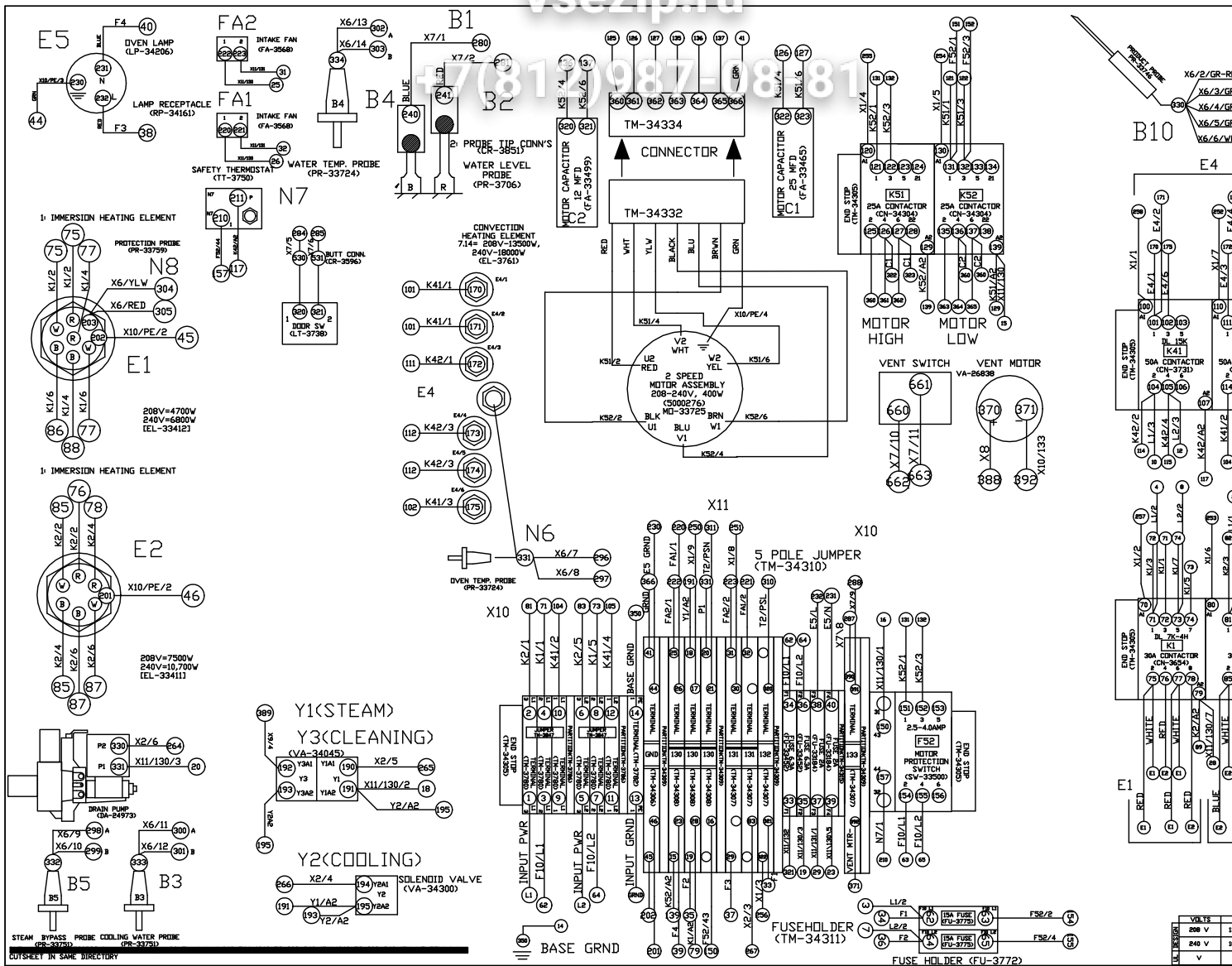


7(812)987-0881





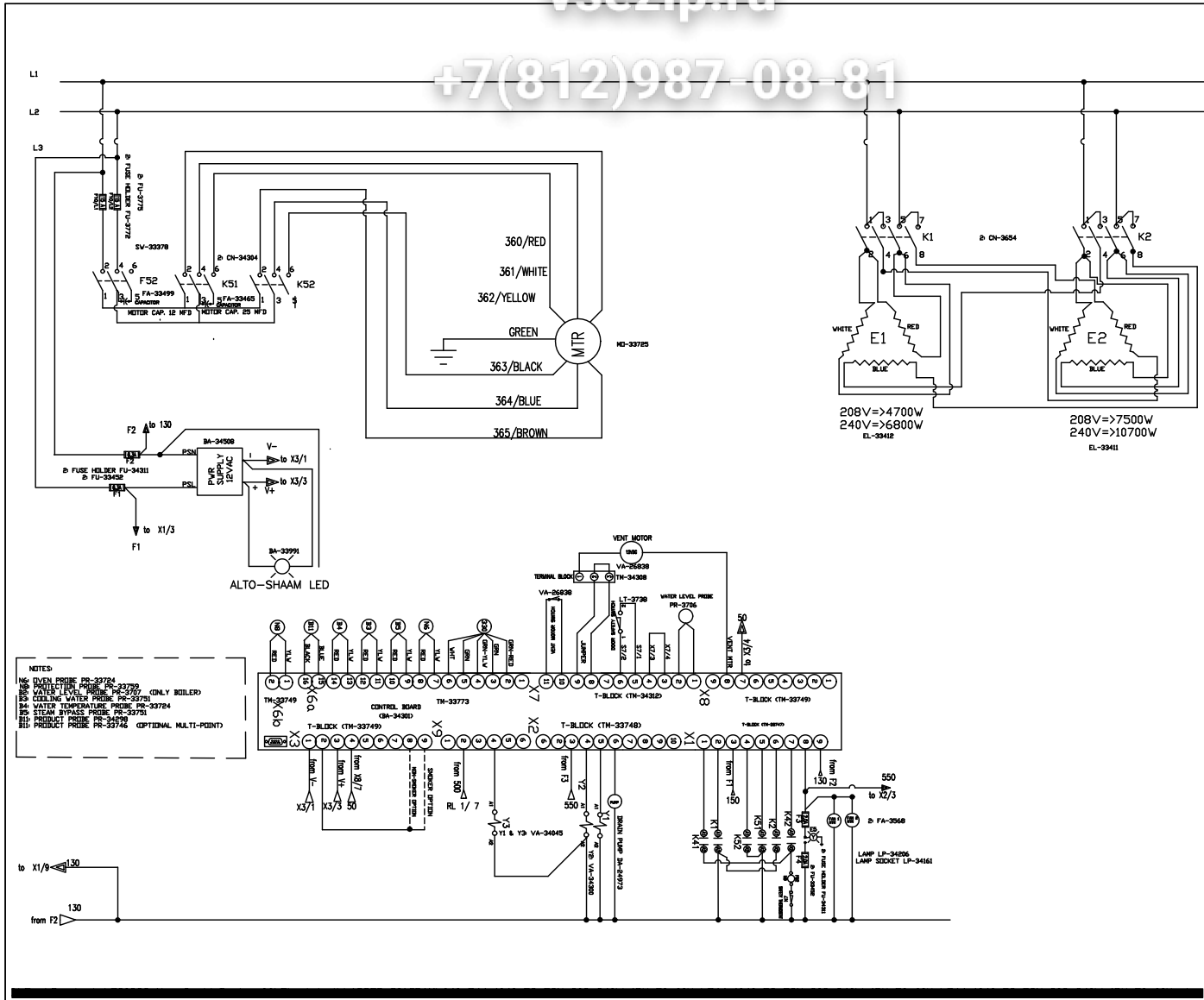
+7 81 2 987-9881



# Зип Общепит

## vsezip.ru

### +7(812)987-08-81

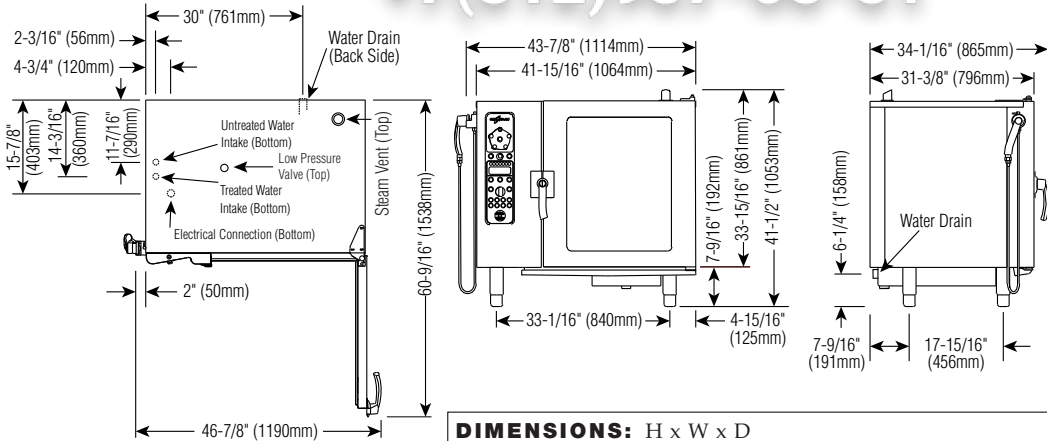


## SECTION CONTENTS

|  |                  |     |
|--|------------------|-----|
| Technical Data.....                    | vsezip.ru        | 160 |
| Parts Information.....                 | +7(812)987-08-81 | 161 |
| Door Assembly.....                     |                  | 161 |
| Recessed Door Assembly .....           |                  | 162 |
| Directional Panel Assembly .....       |                  | 163 |
| Pressure Box Assembly.....             |                  | 164 |
| Wiring and Ladder Diagrams .....       |                  | 165 |
| 208-240V 3PH 50/60 Hz Wiring .....     |                  | 165 |
| 208-240V 3PH 50/60 Hz Ladder.....      |                  | 166 |
| 440-480V 3PH 50/60 Hz Wiring .....     |                  | 167 |
| 440-480V 3PH 50/60 Hz Ladder.....      |                  | 168 |
| 380-415V 3PH 50 Hz Wiring .....        |                  | 169 |
| 380-415V 3PH 50 Hz Ladder .....        |                  | 170 |
| 208-240V 1PH 50/60 Hz Wiring .....     |                  | 171 |
| 208-240V 1PH 50/60 Hz Ladder.....      |                  | 172 |
| Return to Main Table of Contents ..... |                  | 3   |

## 10•10 Esi SPECIFICATIONS

+7(812)987-08-81



|  |  |
|--|--|
| <b>DIMENSIONS: H x W x D</b>           |  |
| <b>EXTERIOR:</b>                       | 41-1/2" x 43-7/8" x 34-1/16" (1053mm x 1114mm x 865mm) |
| <b>EXTERIOR WITH RETRACTABLE DOOR:</b> | 41-1/2" x 47-7/8" x 34-1/16" (1053mm x 1216mm x 865mm) |
| <b>INTERIOR:</b>                       | 27" x 23-1/2" x 21-1/16" (685mm x 597mm x 535mm)       |

**INSTALLATION REQUIREMENTS**  
Oven must be installed level.  
Hood installation is required.  
Water supply shut-off valve and back-flow preventer.

**WATER REQUIREMENTS**  
**TWO (2) COLD WATER INLETS - DRINKING QUALITY**  
ONE (1) TREATED WATER INLET: 3/4" NPT\*  
ONE (1) UNTREATED WATER INLET: 3/4" NPT\*  
LINE PRESSURE: 30 to 90 psi 2.8 to 6.2 bar  
**WATER DRAIN: 1-1/2" CONNECTION WITH AIR GAP**  
\* Can manifold off of one 3/4" line.

**CLEARANCE REQUIREMENTS**  
LEFT: 6" (152mm) PLUS SERVICE ACCESS: 18" (457mm) RECOMMENDED 20" (508mm) FROM HEAT PRODUCING EQUIPMENT  
RIGHT: 4" (102mm) TOP: 20" (508mm) FOR AIR MOVEMENT  
BACK: 4" (102mm) BOTTOM: 5-1/8" (130mm) FOR LEGS  
COUNTER-TOP INSTALLATIONS MUST MAINTAIN 4" (102mm) MINIMUM CLEARANCE FROM COUNTER SURFACE.

**WATER QUALITY MINIMUM STANDARDS**  
USING A WATER SUPPLY NOT MEETING ALTO-SHAAM'S MINIMUM WATER QUALITY STANDARDS WILL VOID THIS WARRANTY. It is the responsibility of the purchaser to ensure that incoming water supply is compliant with the specifications listed through adequate treatment measures. Installation of the CombiGuard™ Water Filtration System is recommended, but this system may not address all water quality issues present.

| Contaminant                  | Inlet Water Requirements (untreated water) |
|------------------------------|--|
| Free Chlorine                | Less than 0.1 ppm (mg/L)                   |
| Hardness                     | Less than 3 gpg (52 ppm)                   |
| Chloride                     | Less than 30 ppm (mg/L)                    |
| pH                           | 7.0 to 8.5                                 |
| Alkalinity                   | Less than 50 ppm (mg/L)                    |
| Silica                       | Less than 12 ppm (mg/L)                    |
| Total Dissolved Solids (tds) | Less than 60 ppm                           |

| <b>ELECTRICAL</b> |         |       |          | <b>10•10Esi</b>    |         | <b>10•10Esi/sk</b> |         |
|-------------------|---------|-------|----------|--------------------|---------|--------------------|---------|
|                   | VOLTAGE | PHASE | CYCLE/HZ | AWG                | AMPS    | kW                 | kW      |
| 208-240           | at 208  | 1*    | 50/60    | 2 Wire plus ground | 67.0    | 13.9               | 69.2    |
|                   | at 240  |       |          | AWG 3              | 77.0    | 18.4               | 79.0    |
| 208-240           | at 208  | 3     | 50/60    | 3 Wire plus ground | 38.6/ph | 13.9               | 40.0/ph |
|                   | at 240  |       |          | AWG 6              | 44.3/ph | 18.4               | 45.5/ph |
| 380-415           | at 380  | 3     | 50/60    | 4 Wire plus ground | 21.1/ph | 13.9               | 22.0/ph |
|                   | at 415  |       |          | AWG 10             | 25.6/ph | 18.4               | 26.3/ph |
| 440-480           | at 440  | 3*    | 50/60    | 3 Wire plus ground | 20.0/ph | 15.4               | 21.0/ph |
|                   | at 480  |       |          | AWG 8              | 22.0/ph | 18.4               | 23.0/ph |

\* ELECTRICAL SERVICE CHARGE APPLIES

| <b>WEIGHT</b> |                       | <b>CAPACITY</b>  |                      |
|---------------|-----------------------|--|----------------------|
| NET           | 377 lb (171 kg)       | FULL-SIZE PANS: 20" x 12" x 2-1/2"<br>GN 1/1: 530 x 325 x 65mm | Ten (10)<br>Ten (10) |
| SHIP          | 501 lb (227 kg)       | HALF-SIZE SHEET PANS:* 18" x 13" x 1"<br>ON WIRE SHELVES ONLY  | Ten (10)             |
| CRATE         | 49" x 47" x 37" EST.  | 120 lb (54 kg) MAXIMUM   |                      |
| DIMENSIONS:   | (1245 x 1194 x 940mm) | VOLUME MAXIMUM: 75 QUARTS (95 LITERS)                          |                      |

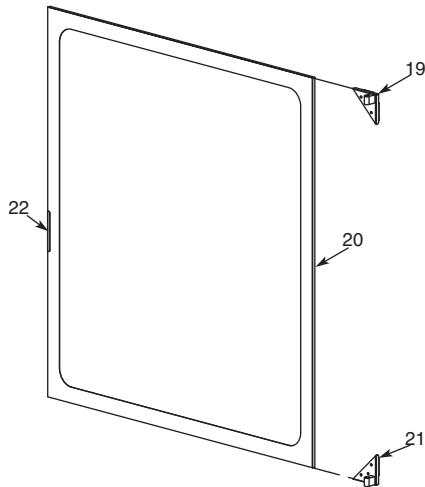
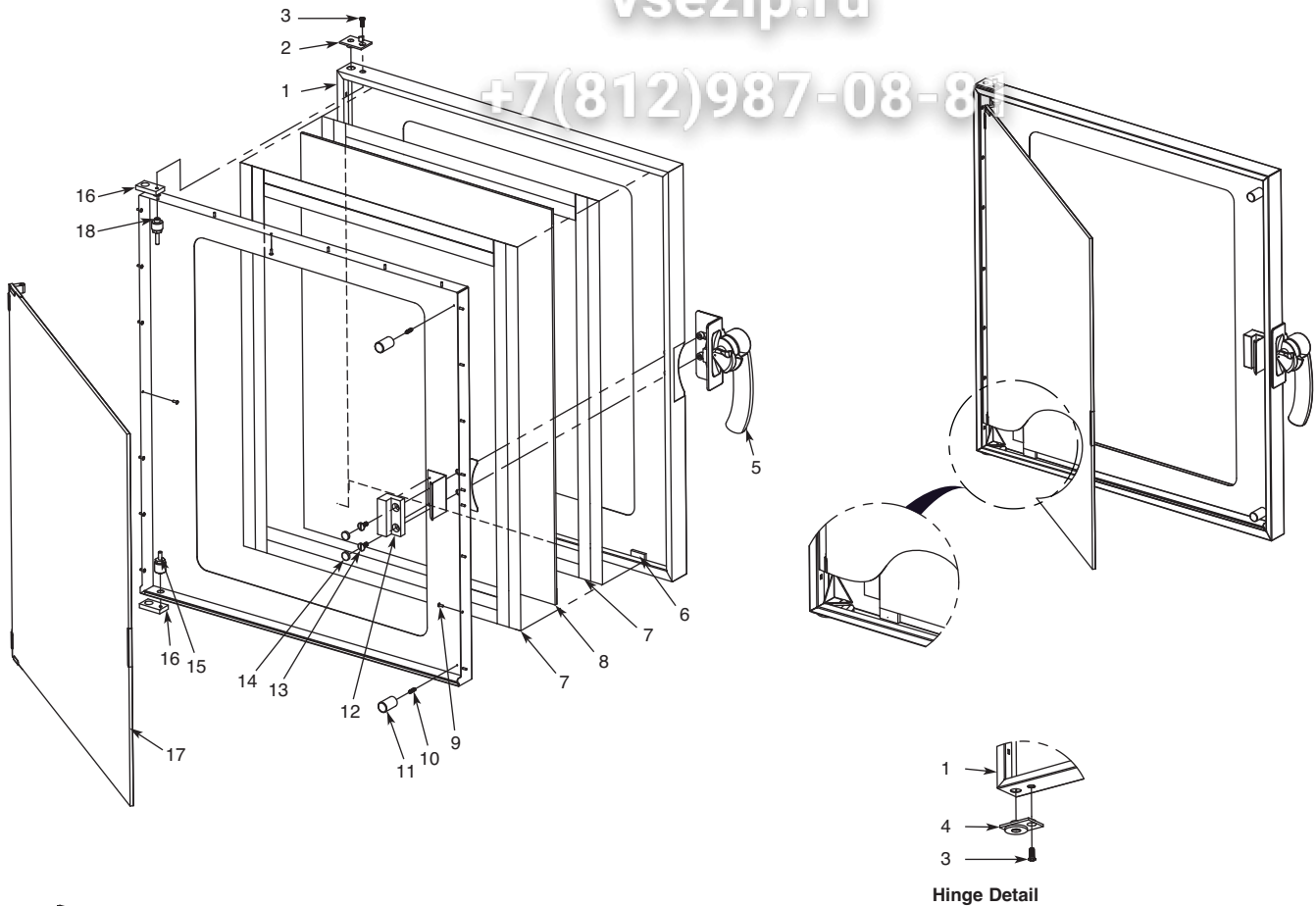
\*ADDITIONAL WIRE SHELVES REQUIRED FOR MAXIMUM CAPACITY



## DOOR ASSEMBLY

vsezip.ru

+7(812)987-08-81

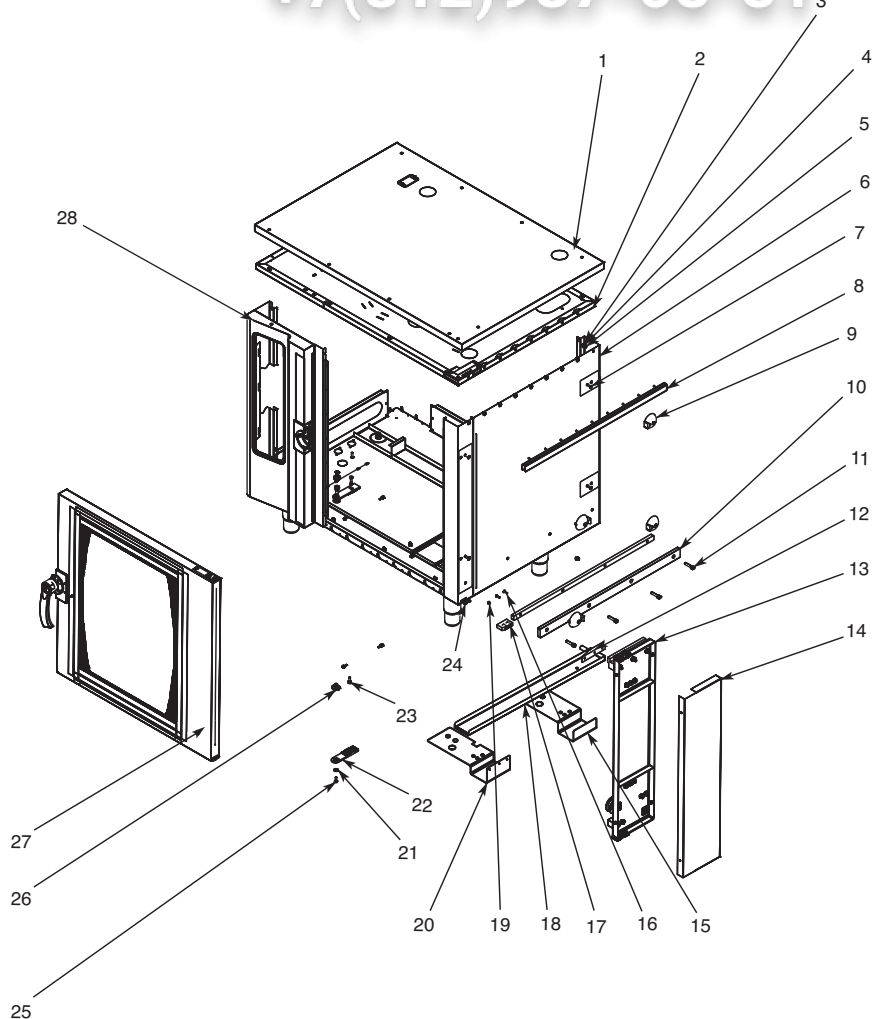


| Item | Part     | Description   | Qty. |
|------|----------|---|------|
| 1    | 1006880  | Outer Panel, Door 10.10                                     | 1    |
| 2    | HG-25077 | Hinge, CT, Top Stop, ML Combi                               | 1    |
| 3    | SC-22282 | Screw, CT, 1.0 x 16 mm, Ph Oval, Hd N/S 18-8, DIN #966A     | 2    |
| 4    | HG-25079 | Hinge, CT, Upper Ratchet, Combi                             | 1    |
| 5    | HD-26966 | Handle, Door, Right, Combi '06                              | 1    |
| 6    | BM-27116 | Bumper  | 2    |
| 7    | TA-25125 | Tape, Double Sided  | 2    |
| 8    | GL-27224 | Glass, Outer Door, 10.10/10.18ep                            | 1    |
| 9    | RI-27108 | Rivet, Sealed   | 22   |
| 10   | SC-25091 | Screw, CT, M5 x 16, DIN 551, A2 S/S, Sltd Set Screw Flat Pt | 2    |
| 11   | BM-27146 | Bumper Stop/Inner Door                                      | 2    |
| 12   | SP-27212 | Spacer, Window Latch  | 1    |
| 13   | SC-27125 | Screw, Truss Head, S/S                                      | 2    |
| 14   | PG-24789 | Plug, 15 mm   | 2    |
| 15   | PI-26974 | Pin, Lower  | 1    |
| 16   | HG-25078 | Hinge, CT, Anchor, ML Combis                                | 2    |
| 17   | 5005560  | Inner Door Glass Assembly                                   | 1    |
| 18   | PI-26973 | Pin, Upper  | 1    |
| 19   | HG-27217 | Lower Hinge Assembly  | 1    |
| 20   | GL-27225 | Glass, Inner  | 1    |
| 21   | HG-27218 | Upper Hinge Assembly  | 1    |
| 22   | LT-25394 | Latch, CT, ML, 7.1 ML                                       | 1    |

# PARTS INFORMATION

vsezip.ru

+7(812)987-08-81



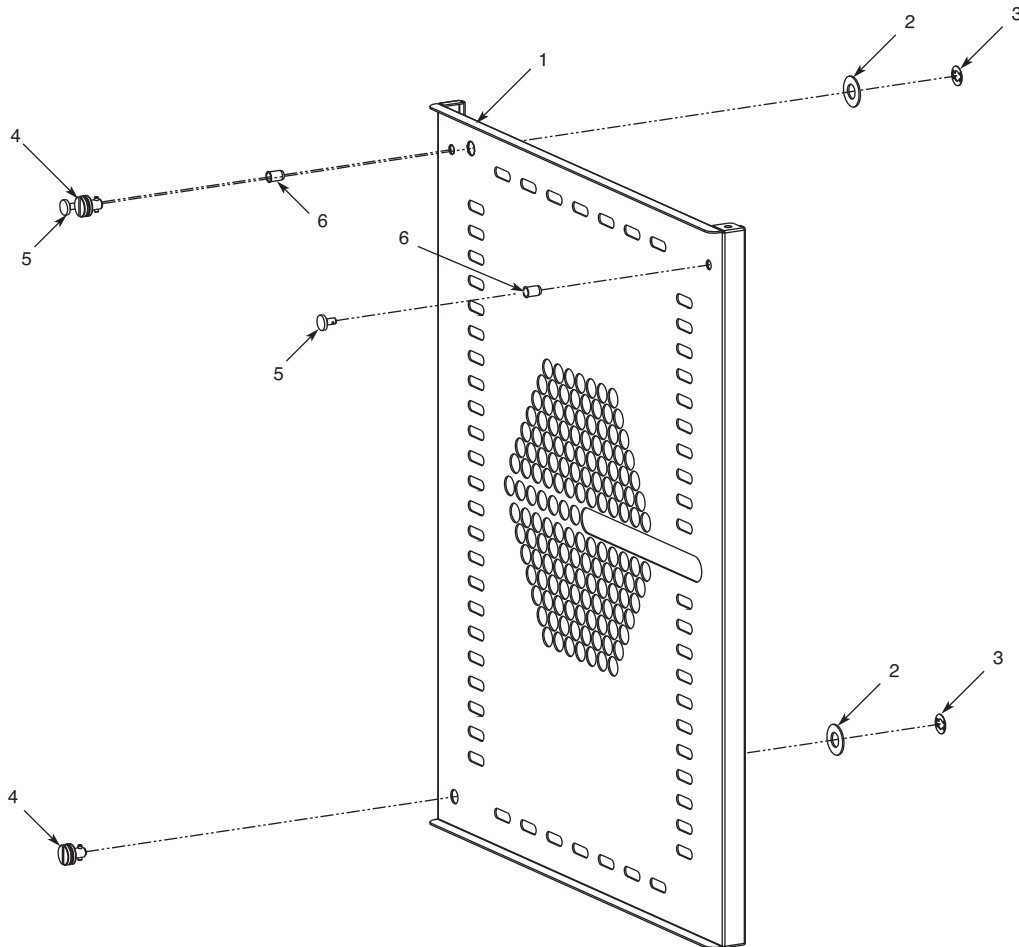
| Item | Part     | Description                        | Qty. |
|------|----------|------------------------------------|------|
| 1    | 5008044  | Outer Cover Assembly               | 1    |
| 2    | 5005314  | Fill In Cover Assembly             | 1    |
| 3    | NU-22291 | M6-1.0 x Hex S/S Nut 18-8          | 26   |
| 4    | WS-22302 | Washer, Lock, M6, DIN 127B         | 26   |
| 5    | WS-22297 | Washer, Flat, M6, DIN 125          | 28   |
| 6    | 5008054  | Right Side Panel Assembly          | 1    |
| 7    | SC-27284 | M6 x 30 mm Philips Flat Head Screw | 5    |
| 8    | 5008045  | Channel Assembly                   | 1    |
| 9    | BK-27412 | Recessed Door Block                | 4    |
| 10   | RA-28212 | Rail, Bottom                       | 1    |
| 11   | SC-24388 | Screw, SHC M8 x 35 S/S             | 4    |
| 12   | BK-22100 | White Teflon, Cart Guide Block     | 1    |
| 13   | 5007898  | Trolley Assembly                   | 1    |
| 14   | 1008868  | Cover, Trolley                     | 1    |

| Item | Part     | Description                     | Qty. |
|------|----------|---------------------------------|------|
| 15   | 1008505  | Rear Bracket, Recessed          | 1    |
| 16   | SC-22281 | Screw, M5 x 16 Flat Head C Sink | 2    |
| 17   | BK-28252 | Block, Guide                    | 1    |
| 18   | 5008048  | Drip Pan Assembly               | 1    |
| 19   | SC-28262 | Screw, M5 x 5 Flat Head C Sink  | 1    |
| 20   | 1008506  | Front Bracket Recessed          | 1    |
| 21   | WS-22298 | Washer, M8, 18-8                | 1    |
| 22   | HG-28040 | Hinge                           | 1    |
| 23   | SC-22924 | M6 x 20 Hex Trim HD             | 2    |
| 24   | SC-28264 | Screw, SHC M5 X 25 S/S          | 2    |
| 25   | SC-22284 | Screw, M6 x 16 Hex S/S HD       | 1    |
| 26   | HG-25101 | Hinge, Lower, Ratchet           | 1    |
| 27   | 5007886  | Door Assembly Recessed 10.18    | 1    |
| 28   | PE-27614 | Front Panel Weld Assembly       | 1    |

## DIRECTIONAL PANEL ASSEMBLY

vsezip.ru

+7(812)987-08-81

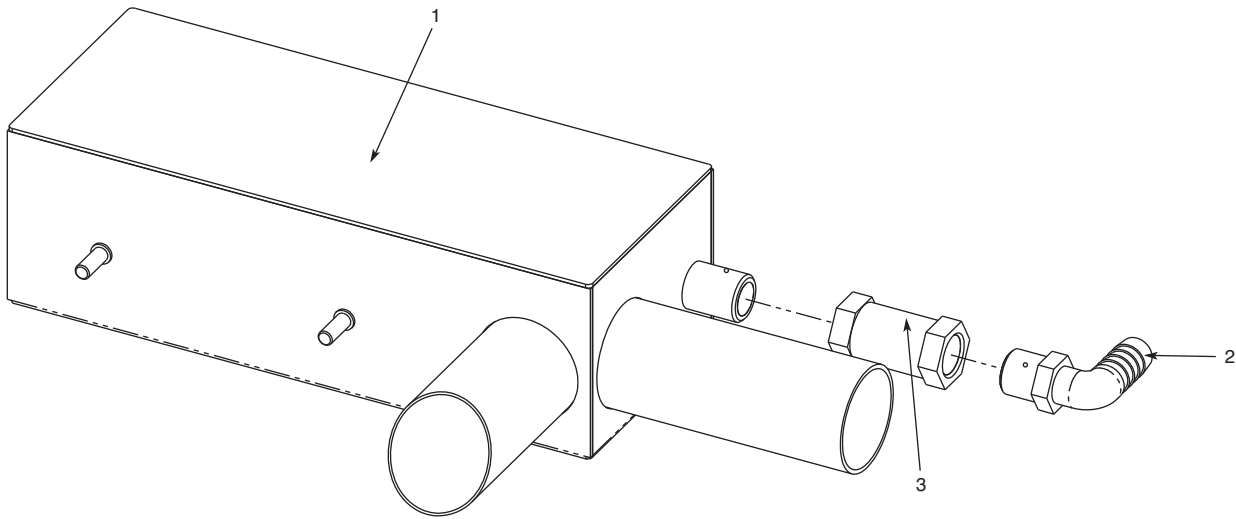
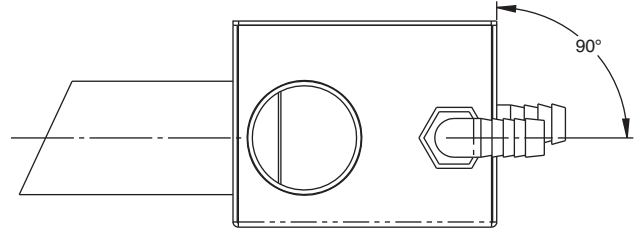


| Item | Part     | Description                     | Qty. |
|------|----------|---------------------------------|------|
| 1    | 1005309  | Directional Panel               | 1    |
| 2    | 1006601  | Directional Panel Spacer        | 2    |
| 3    | WS-24090 | Holding (Lock Clip)             | 2    |
| 4    | CL-24089 | Clip, CT, ML, Lock, W/3 Washers | 2    |
| 5    | SC-22753 | Screws, SS Round, Hanging Rack  | 2    |
| 6    | NU-22770 | Nut, Threaded Insert, M6        | 2    |

**PARTS INFORMATION** **Всё по общепит**  
**PRESSURE BOX ASSEMBLY**

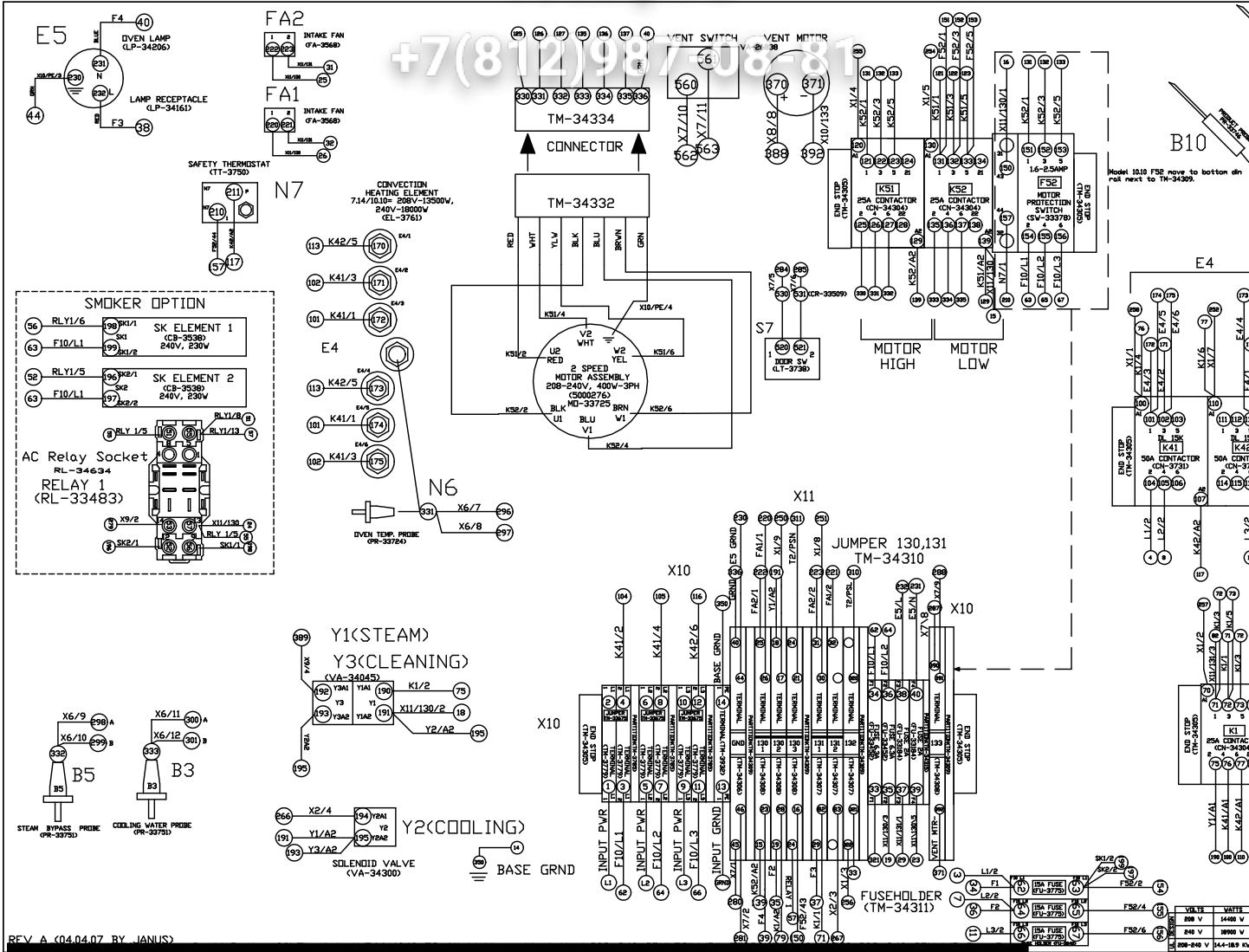
vsezip.ru

+7(812)987-08-81



| Item | Part     | Description                         | Qty. |
|------|----------|-------------------------------------|------|
| 1    | 5005009  | Pressure Box                        | 1    |
| 2    | EB-25551 | Elbow, Nylon, 1/2" x 3/8"           | 1    |
| 3    | VA-25549 | Valve, 3/8", Flow Control, 0.12 GPM | 1    |

+7(812)987-0881



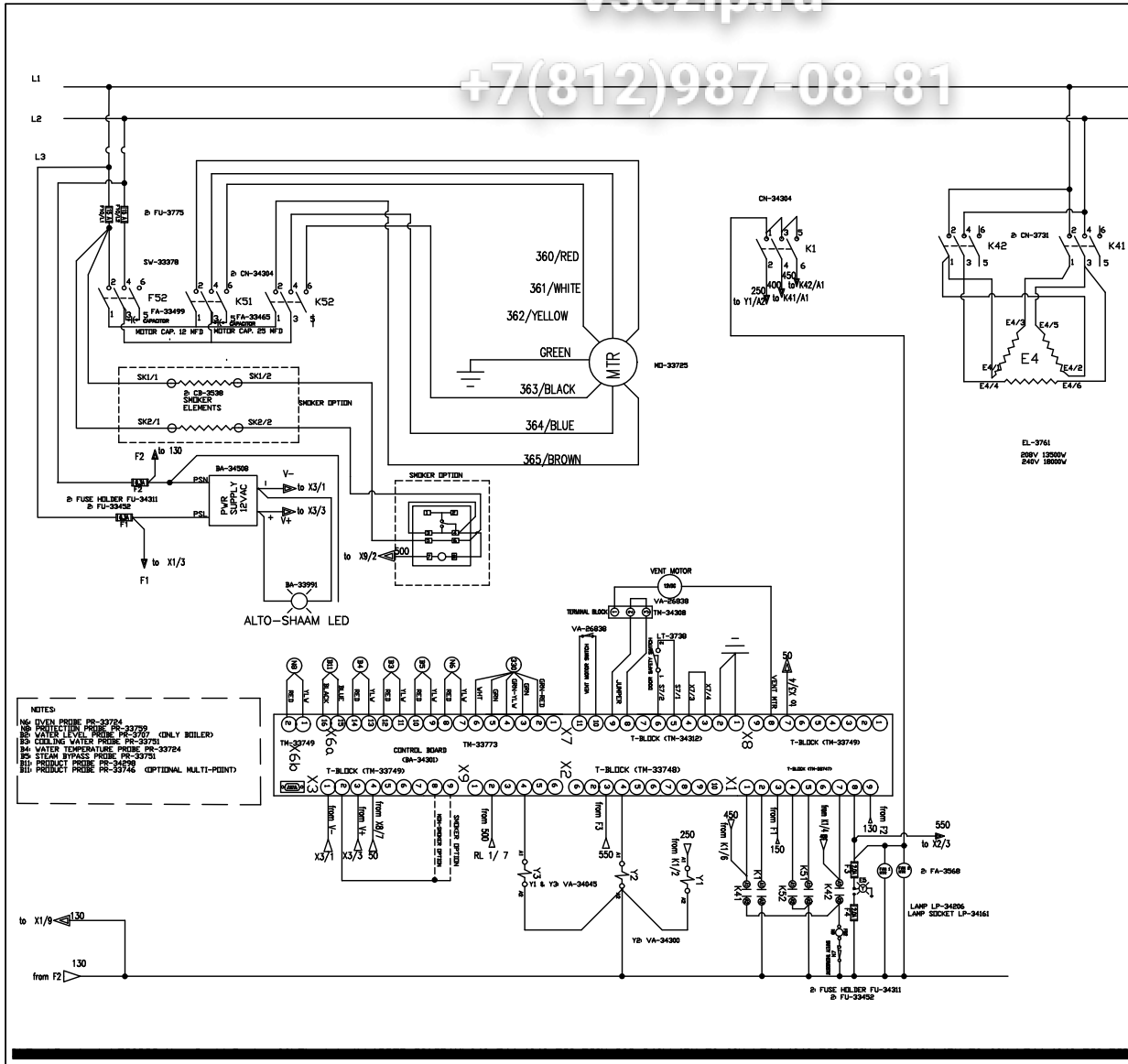
REV A (04.04.07 BY JANUS)

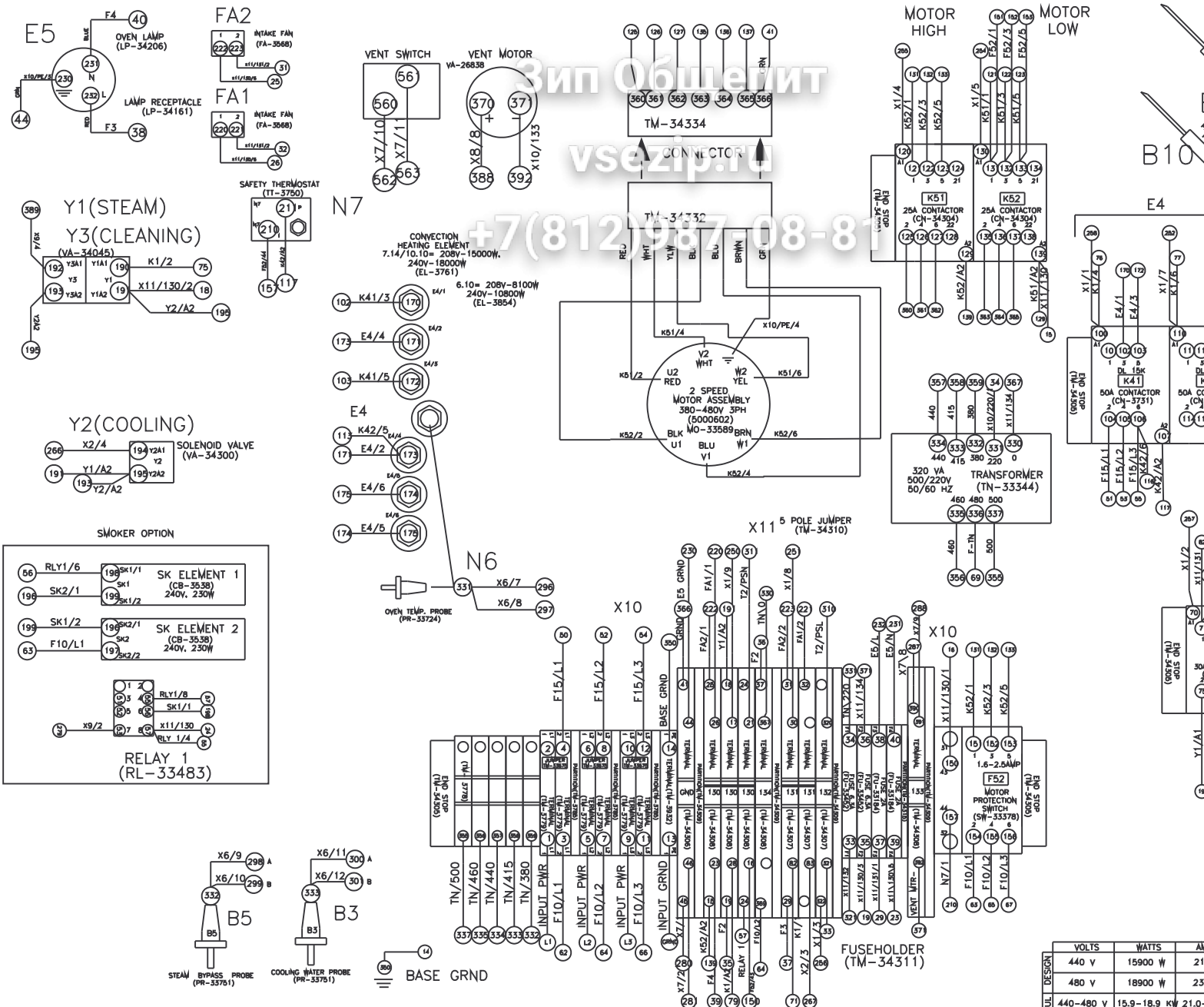
CUTSHEET IN SAME DIRECTORY

# Зип Ощепит

## vsezip.ru

### +7(812)987-08-81

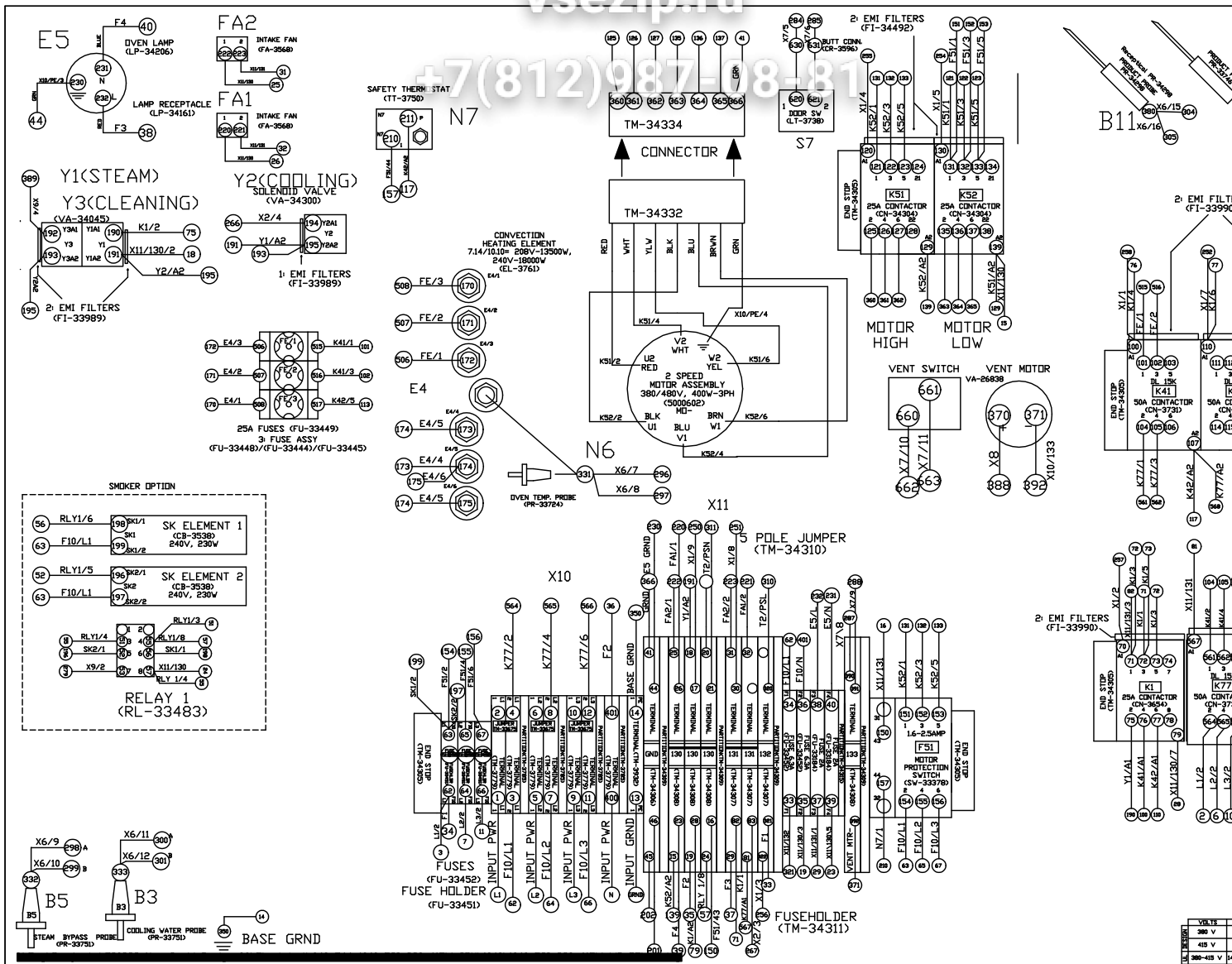


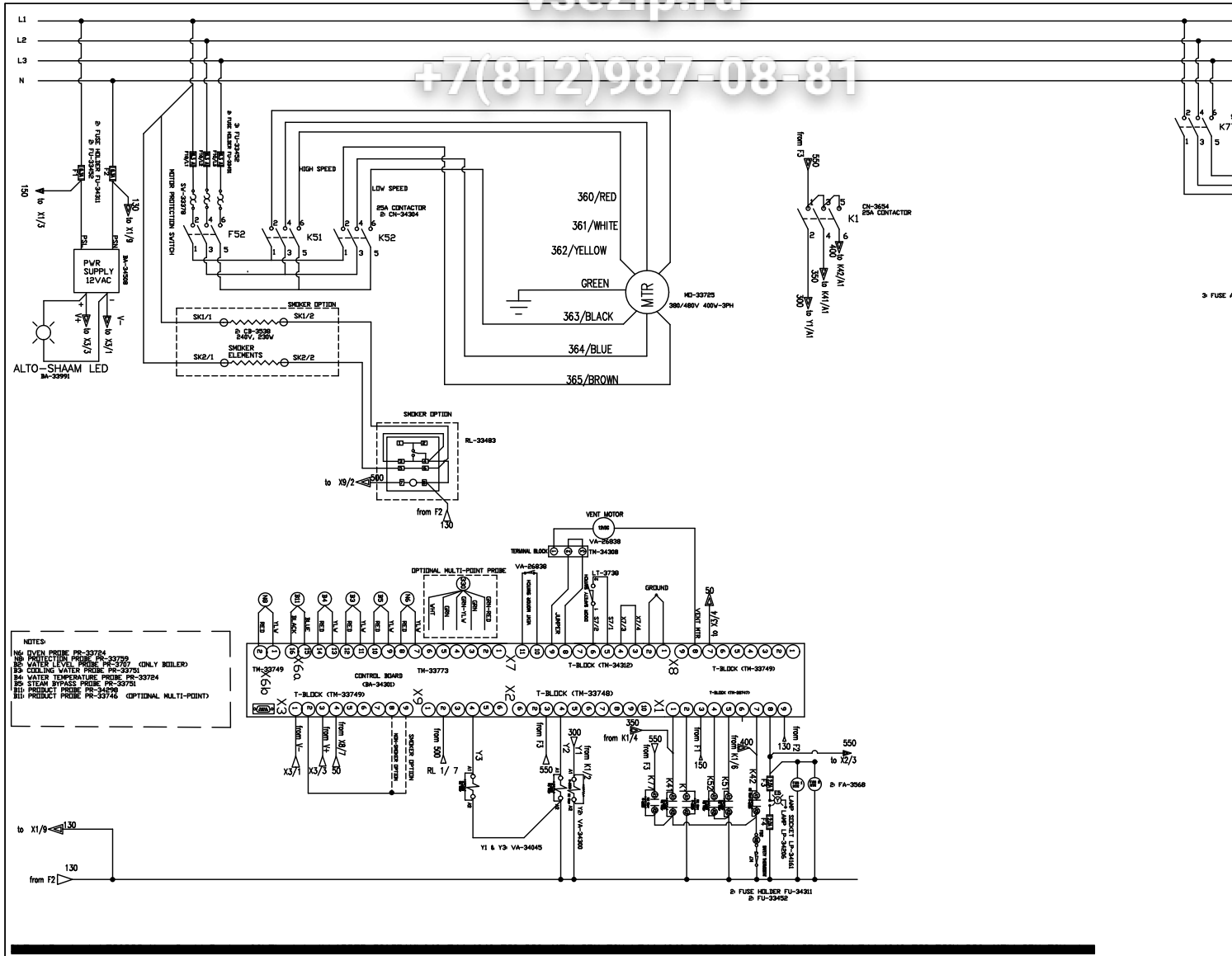


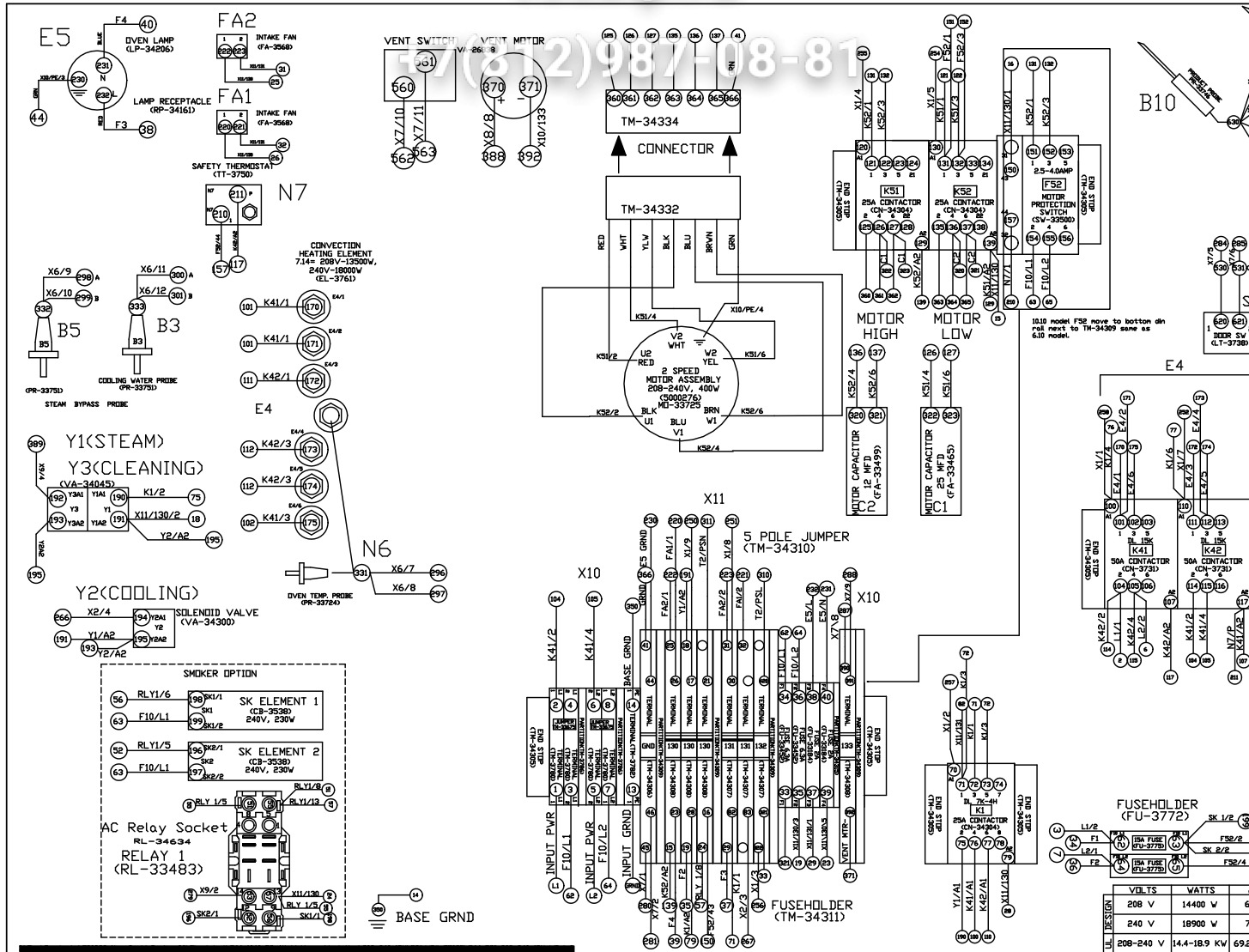
zip Общедоступно  
vsezip.ru  
+7(812)987-08-81









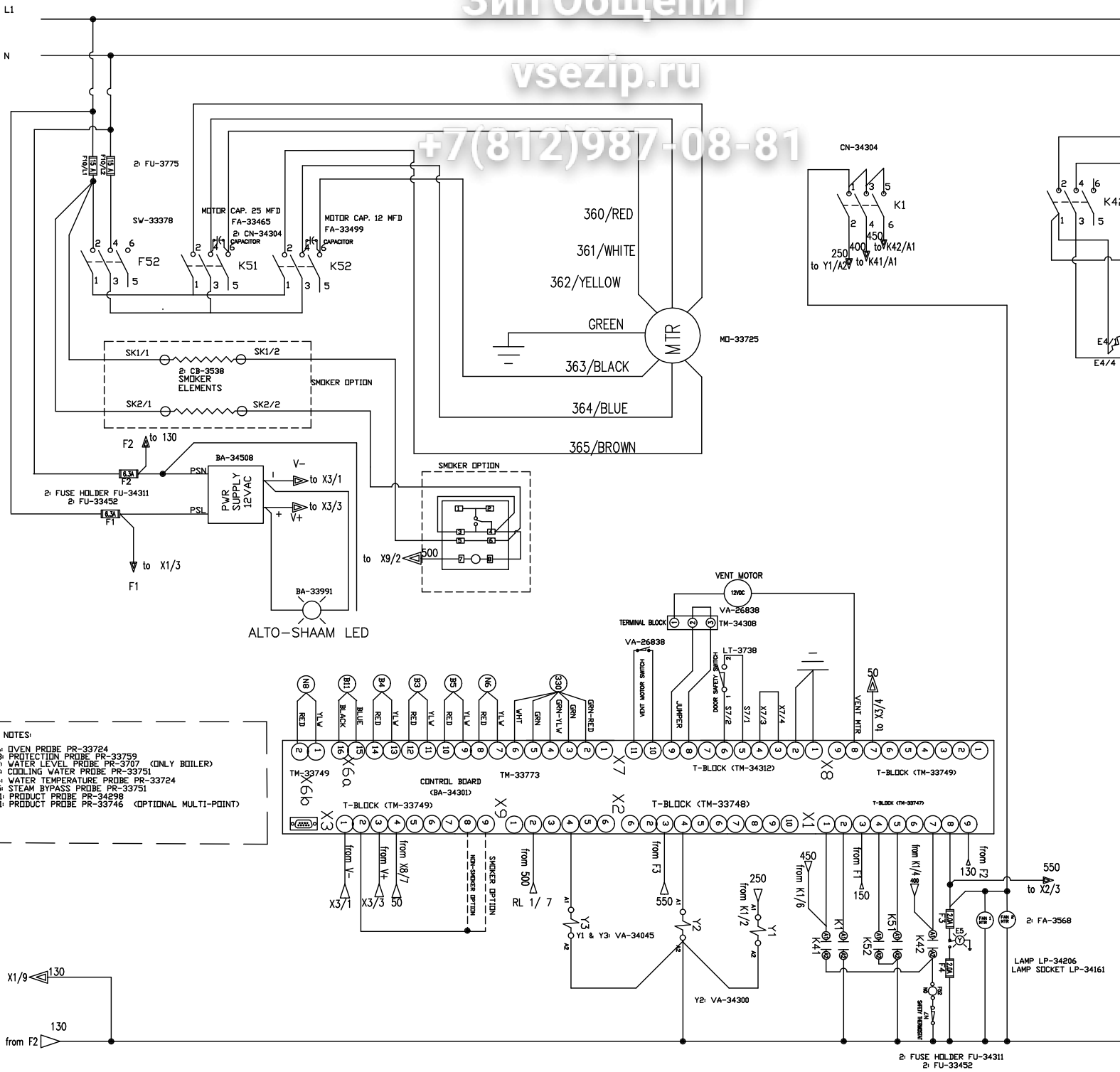


| UL DESIGN | VOLTAGE      | WATTS   |
|-----------|--------------|---------|
|           | 208 V        | 14400 W |
|           | 240 V        | 18900 W |
| 208-240 V | 14.4-18.9 KW | 69.2    |

# Зип Ощепит

vsezip.ru

+7(812)987-08-81



## SECTION CONTENTS

|  |                  |     |
|--|------------------|-----|
| Technical Data.....                    | vsezip.ru        | 174 |
| Parts Information.....                 | +7(812)987-08-81 | 175 |
| Door Assembly.....                     |                  | 175 |
| Recessed Door Assembly .....           |                  | 176 |
| Directional Panel Assembly .....       |                  | 177 |
| Pressure Box Assembly.....             |                  | 178 |
| Wiring and Ladder Diagrams .....       |                  | 179 |
| 208-240V 3PH 50/60 Hz Wiring .....     |                  | 179 |
| 208-240V 3PH 50/60 Hz Ladder.....      |                  | 180 |
| 440-480V 3PH 50/60 Hz Wiring .....     |                  | 181 |
| 440-480V 3PH 50/60 Hz Ladder.....      |                  | 182 |
| 380-415V 3PH 50 Hz Wiring .....        |                  | 183 |
| 380-415V 3PH 50 Hz Ladder .....        |                  | 184 |
| 208-240V 1PH 50/60 Hz Wiring .....     |                  | 185 |
| 208-240V 1PH 50/60 Hz Ladder.....      |                  | 186 |
| Return to Main Table of Contents ..... |                  | 3   |

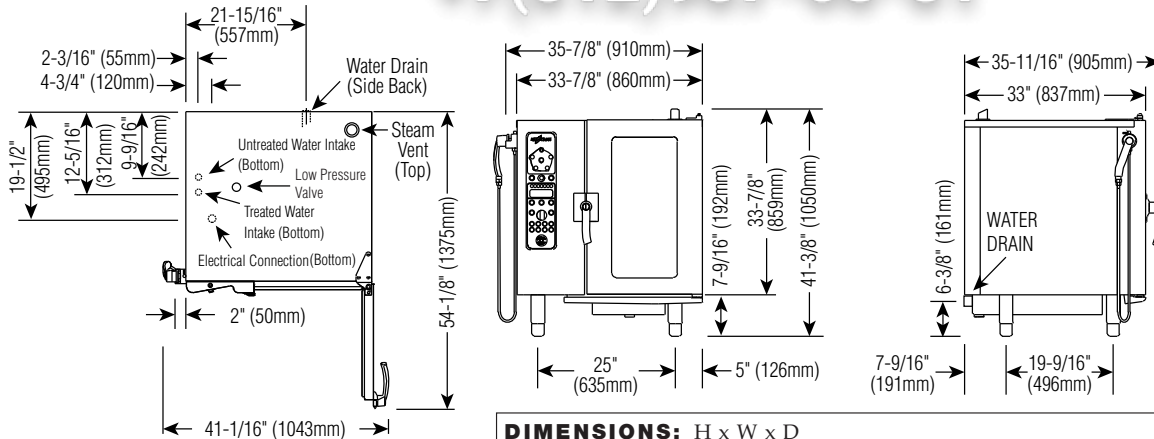
# TECHNICAL DATA **Эип Общепит**

vsezip.ru



**10•10 ESiN SPECIFICATIONS**

+7(812)987-08-81



|  |   |
|--|---|
| <b>DIMENSIONS: H x W x D</b>           |   |
| <b>EXTERIOR:</b>                       | 41-3/8" x 35-7/8" x 35-11/16" (1050mm x 910mm x 905mm)  |
| <b>EXTERIOR WITH RETRACTABLE DOOR:</b> | 41-3/8" x 39-7/8" x 35-11/16" (1050mm x 1012mm x 905mm) |
| <b>INTERIOR:</b>                       | 27" x 13-1/4" x 26-1/4" (685mm x 387mm x 665mm)         |

**INSTALLATION REQUIREMENTS**  
 Oven must be installed level.  
 Hood installation is required.  
 Water supply shut-off valve and back-flow preventer.

**WATER REQUIREMENTS**

**TWO (2) COLD WATER INLETS - DRINKING QUALITY**

ONE (1) TREATED WATER INLET: 3/4" NPT\*  
 ONE (1) UNTREATED WATER INLET: 3/4" NPT\*  
 LINE PRESSURE: 30 to 90 psi 2.8 to 6.2 bar

**WATER DRAIN:** 1-1/2" CONNECTION WITH AIR GAP  
 \* Can manifold off of one 3/4" line.

**CLEARANCE REQUIREMENTS**

LEFT: 6" (152mm) PLUS SERVICE ACCESS: 18" (457mm) RECOMMENDED 20" (508mm) FROM HEAT PRODUCING EQUIPMENT  
 RIGHT: 4" (102mm) TOP: 20" (508mm) FOR AIR MOVEMENT  
 BACK: 4" (102mm) BOTTOM: 5-1/8" (130mm) FOR LEGS  
 COUNTER-TOP INSTALLATIONS MUST MAINTAIN 4" (102mm) MINIMUM CLEARANCE FROM COUNTER SURFACE.

**WATER QUALITY MINIMUM STANDARDS**

USING A WATER SUPPLY NOT MEETING ALTO-SHAAM'S MINIMUM WATER QUALITY STANDARDS WILL VOID THIS WARRANTY. It is the responsibility of the purchaser to ensure that incoming water supply is compliant with the specifications listed through adequate treatment measures. Installation of the CombiGuard™ Water Filtration System is recommended, but this system may not address all water quality issues present.

| Contaminant                  | Inlet Water Requirements (untreated water) |
|------------------------------|--|
| Free Chlorine                | Less than 0.1 ppm (mg/L)                   |
| Hardness                     | Less than 3 gpg (52 ppm)                   |
| Chloride                     | Less than 30 ppm (mg/L)                    |
| pH                           | 7.0 to 8.5                                 |
| Alkalinity                   | Less than 50 ppm (mg/L)                    |
| Silica                       | Less than 12 ppm (mg/L)                    |
| Total Dissolved Solids (tds) | Less than 60 ppm                           |

| <b>ELECTRICAL</b> |         |       |          | <b>10•10ESiN</b>   |         | <b>10•10ESiN/sk</b> |         |
|-------------------|---------|-------|----------|--------------------|---------|---------------------|---------|
|                   | VOLTAGE | PHASE | CYCLE/HZ | AWG                | AMPS    | kW                  | kW      |
| 206-240           | at 208  | 1*    | 50/60    | 2 Wire plus ground | 67.0    | 13.9                | 69.2    |
|                   | at 240  |       |          | AWG 3              | 77.0    | 18.4                | 79.0    |
| 208-240           | at 208  | 3     | 50/60    | 3 Wire plus ground | 38.6/ph | 13.9                | 40.0/ph |
|                   | at 240  |       |          | AWG 6              | 44.3/ph | 18.4                | 45.5/ph |
| 380-415           | at 380  | 3     | 50/60    | 4 Wire plus ground | 21.1/ph | 13.9                | 22.0/ph |
|                   | at 415  |       |          | AWG 10             | 25.6/ph | 18.4                | 26.3/ph |
| 440-480           | at 440  | 3*    | 50/60    | 3 Wire plus ground | 20.0/ph | 15.4                | 21.0/ph |
|                   | at 480  |       |          | AWG 8              | 22.0/ph | 18.4                | 23.0/ph |

\* ELECTRICAL SERVICE CHARGE APPLIES

| <b>WEIGHT</b>                      |                           | <b>CAPACITY</b>                       |          |
|------------------------------------|---------------------------|---------------------------------------|----------|
| NET                                | 385 lb EST. (175 kg) EST. | FULL-SIZE PANS: 20" x 12" x 2-1/2"    | Ten (10) |
|                                    |                           | GN 1/1: 530 x 325 x 65mm              | Ten (10) |
| SHIP                               | 500 lb EST. (227 kg) EST. | HALF-SIZE SHEET PANS:* 18" x 13" x 1" | Ten (10) |
|                                    |                           | ON WIRE SHELVES ONLY                  |          |
| CRATE                              | 49" x 44" x 40" EST.      | 120 lb (54 kg) MAXIMUM                |          |
| DIMENSIONS: (1245 x 1118 x 1016mm) |                           | VOLUME MAXIMUM: 75 QUARTS (95 LITERS) |          |

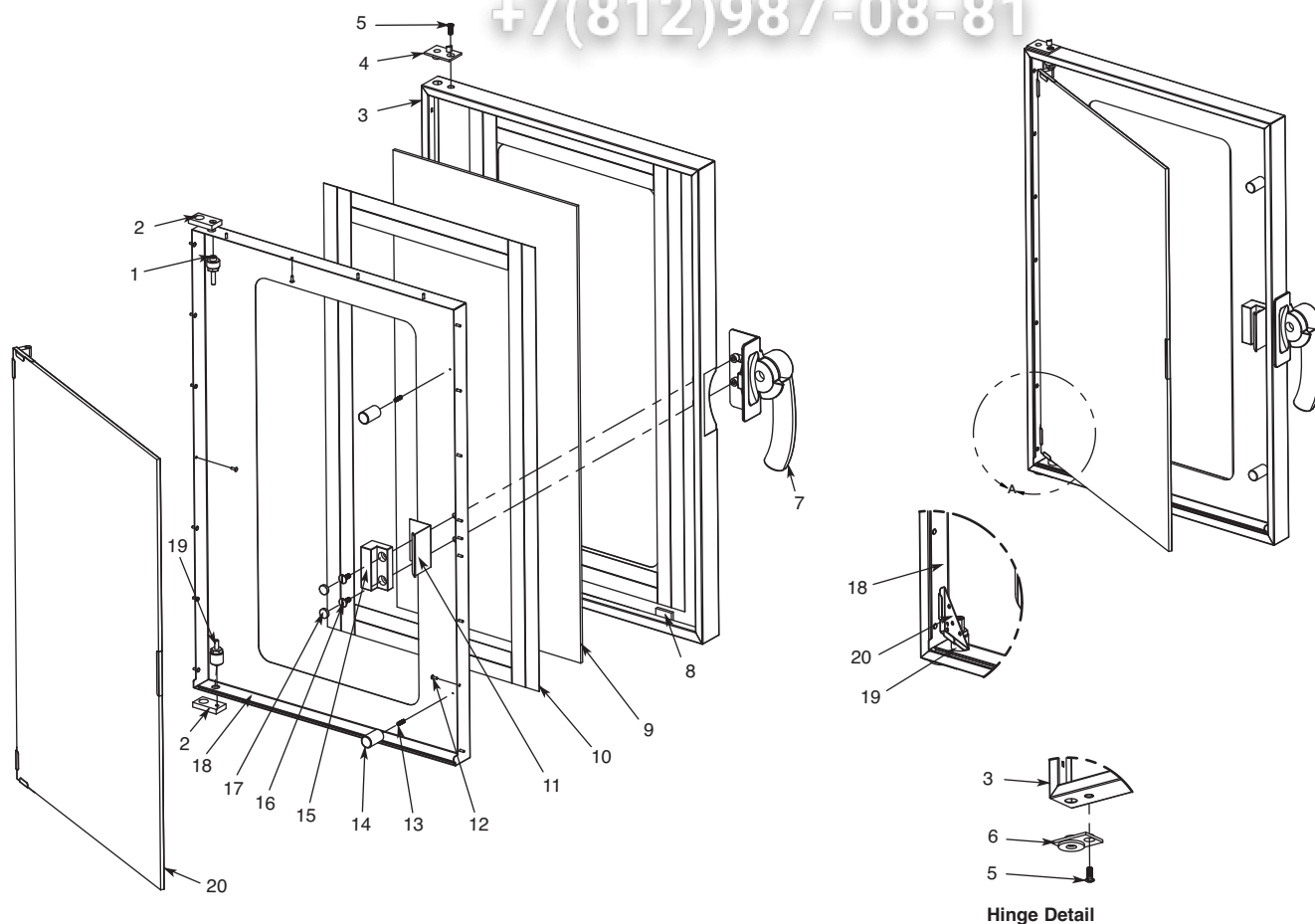
\*ADDITIONAL WIRE SHELVES REQUIRED FOR MAXIMUM CAPACITY

ELECTRIC COMBITHERM — INSTALLATION MANUAL #7001

## DOOR ASSEMBLY

vsezip.ru

+7(812)987-08-81



| Item | Part     | Description   | Qty. |
|------|----------|---|------|
| 1    | PI-26973 | Pin, Upper  | 1    |
| 2    | HG-25078 | Hinge, CT, Anchor, ML Combis                                | 2    |
| 3    | 1007167  | Outer Panel, Door   | 1    |
| 4    | HG-25077 | Hinge, CT, Top Stop, ML Combi                               | 1    |
| 5    | SC-22282 | Screw, CT, 1.0 x 16 mm, Ph Oval, Hd N/S 18-8, DIN #966A     | 2    |
| 6    | HG-25079 | Hinge, CT, Upper Ratchet, Combi                             | 1    |
| 7    | HD-26966 | Handle, Door, Right   | 1    |
| 8    | BM-27116 | Bumper  | 2    |
| 9    | GL-27228 | Glass Outer, 10.10 Narrow                                   | 1    |
| 10   | TA-25125 | Tape, Double Sided  | 2    |
| 11   | CL-27854 | Inner Door Latch  | 1    |
| 12   | RI-27108 | Rivet, Sealed   | 20   |
| 13   | SC-25091 | Screw, CT, M5 x 16, DIN 551, A2 S/S, Sltd Set Screw Flat Pt | 2    |
| 14   | BM-27146 | Bumper Stop/Inner Door                                      | 2    |
| 15   | SP-27212 | Spacer, Window Latch  | 1    |
| 16   | SC-27125 | Screw, Truss Head, S/S                                      | 2    |
| 17   | PG-24789 | Plug, 15 mm   | 2    |
| 18   | 5005932  | Inner Door Spot RH  | 1    |
| 19   | PI-26974 | Pin, Lower  | 1    |
| 20   | 5005934  | Inner Door, Glass Assembly                                  | 1    |

**PARTS INFORMATION** **Вся информация**  
**RECESSED DOOR ASSEMBLY**

**vsezip.ru**

**+7(812)987-08-81**

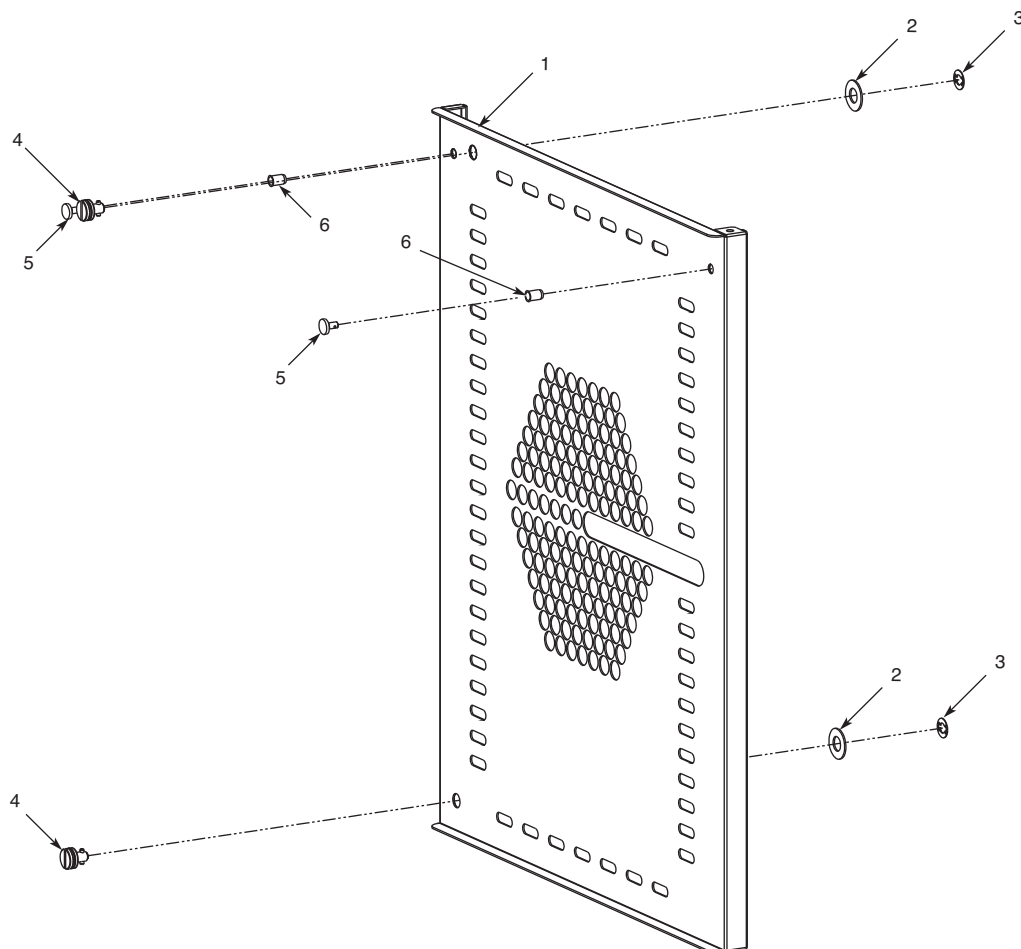
**(Contact factory.)**



## DIRECTIONAL PANEL ASSEMBLY

vsezip.ru

+7(812)987-08-81

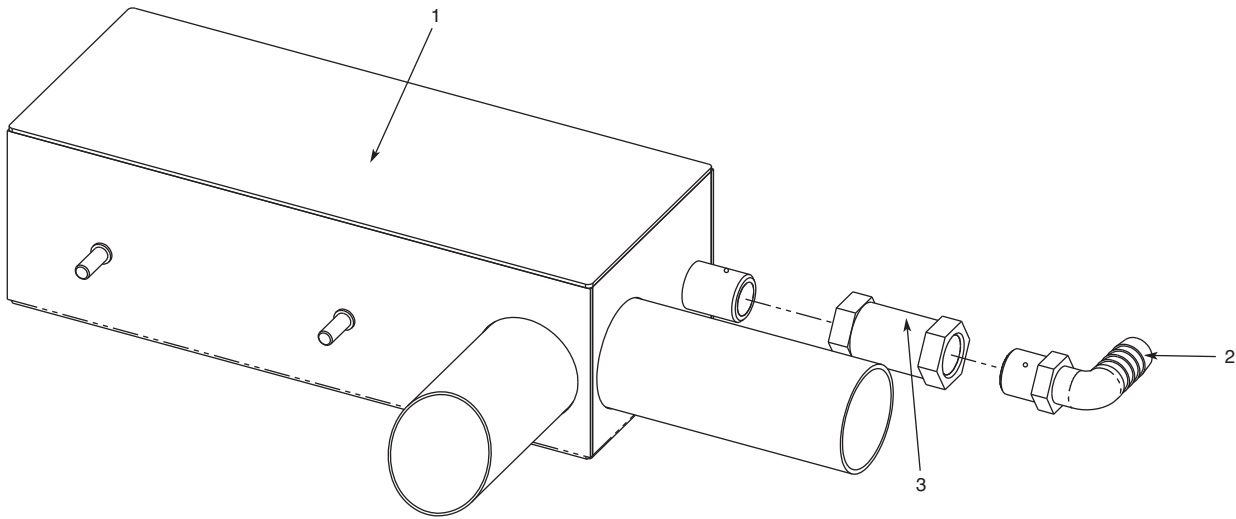
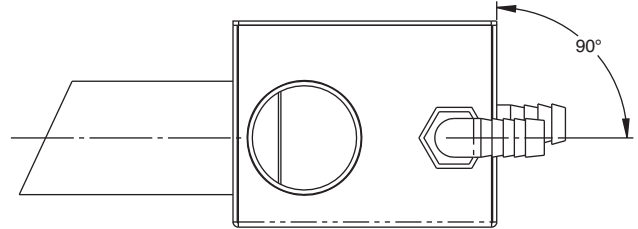


| Item | Part     | Description                     | Qty. |
|------|----------|---------------------------------|------|
| 1    | 1005309  | Directional Panel               | 1    |
| 2    | 1006601  | Directional Panel Spacer        | 2    |
| 3    | WS-24090 | Holding (Lock Clip)             | 2    |
| 4    | CL-24089 | Clip, CT, ML, Lock, W/3 Washers | 2    |
| 5    | SC-22753 | Screws, SS Round, Hanging Rack  | 2    |
| 6    | NU-22770 | Nut, Threaded Insert, M6        | 2    |

**PARTS INFORMATION** **Всё что нужно**  
**PRESSURE BOX ASSEMBLY**

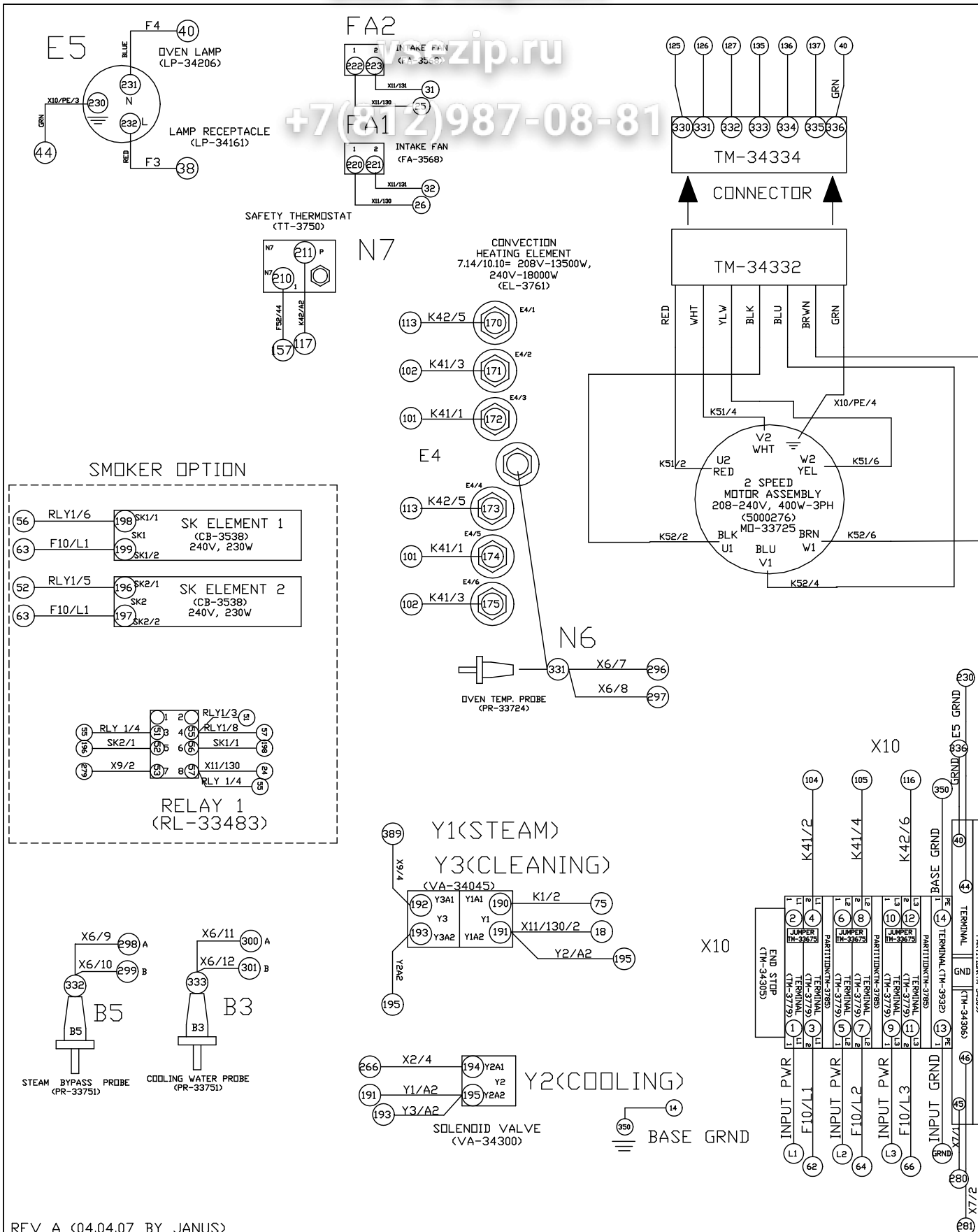
vsezip.ru

+7(812)987-08-81



| Item | Part     | Description                         | Qty. |
|------|----------|-------------------------------------|------|
| 1    | 5005009  | Pressure Box                        | 1    |
| 2    | EB-25551 | Elbow, Nylon, 1/2" x 3/8"           | 1    |
| 3    | VA-25549 | Valve, 3/8", Flow Control, 0.12 GPM | 1    |

# Зип Общепит



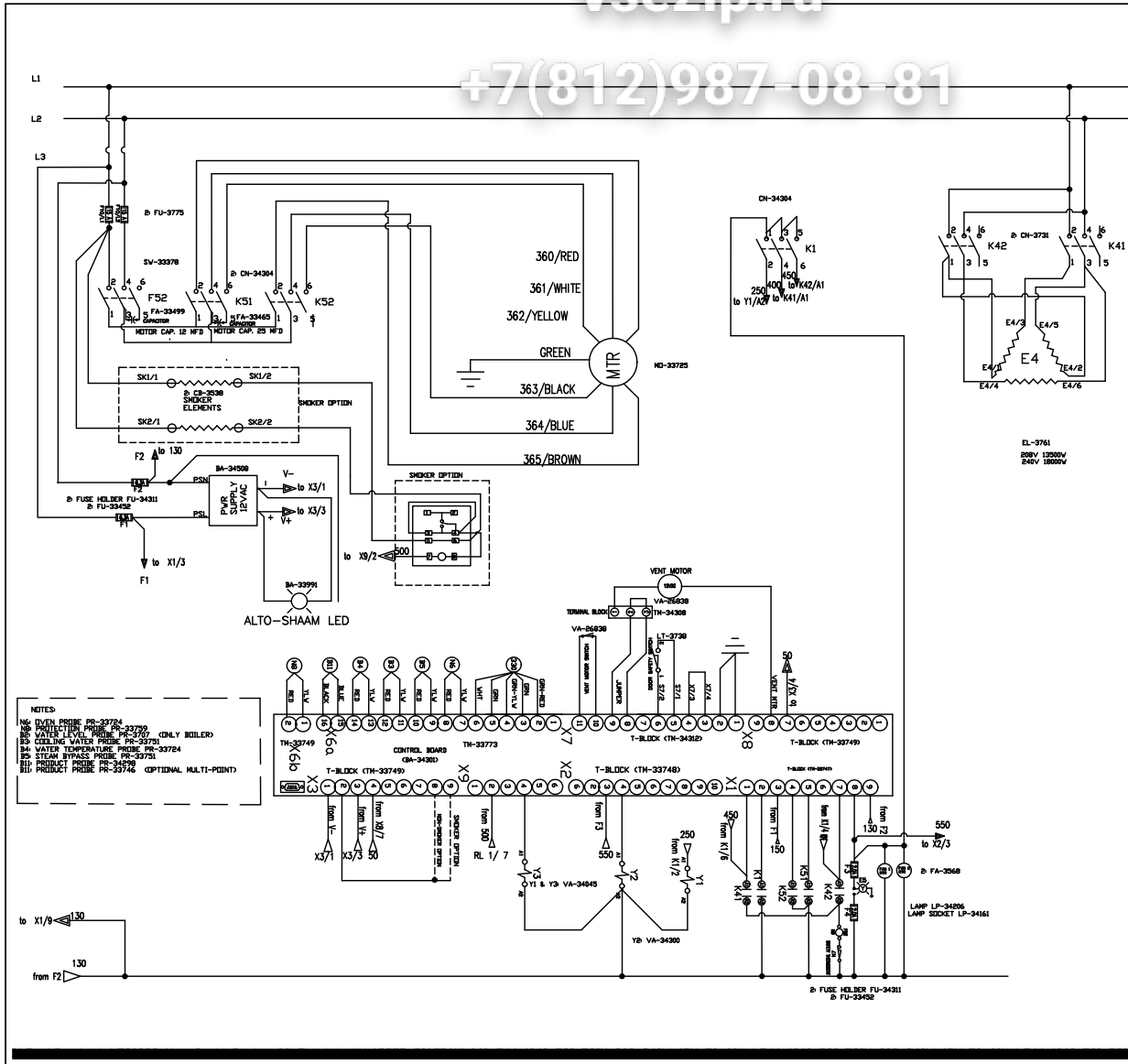
REV A (04.04.07 BY JANUS)

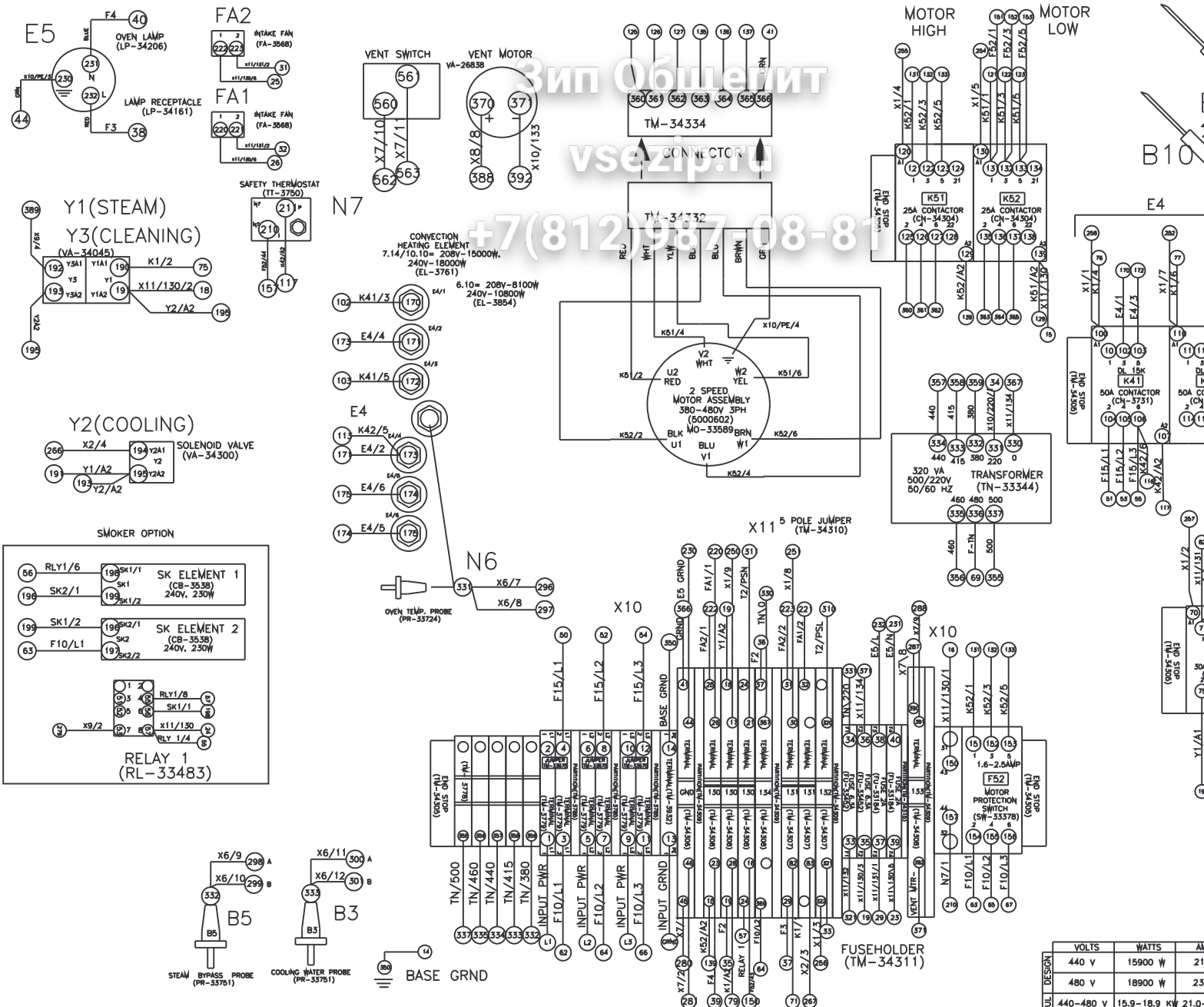
CUTSHEET IN SAME DIRECTORY

# Зип Ощепит

## vsezip.ru

### +7(812)987-08-81



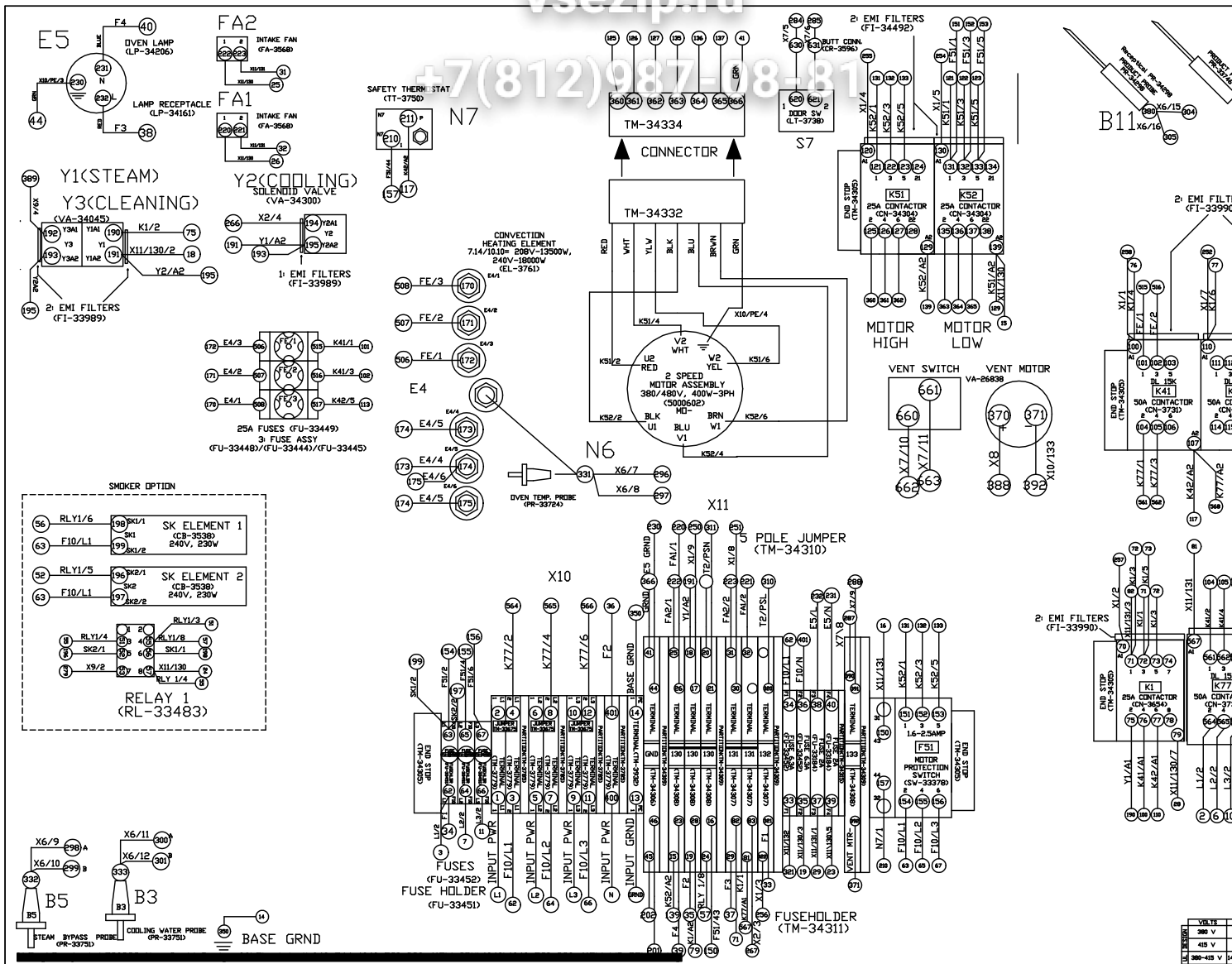


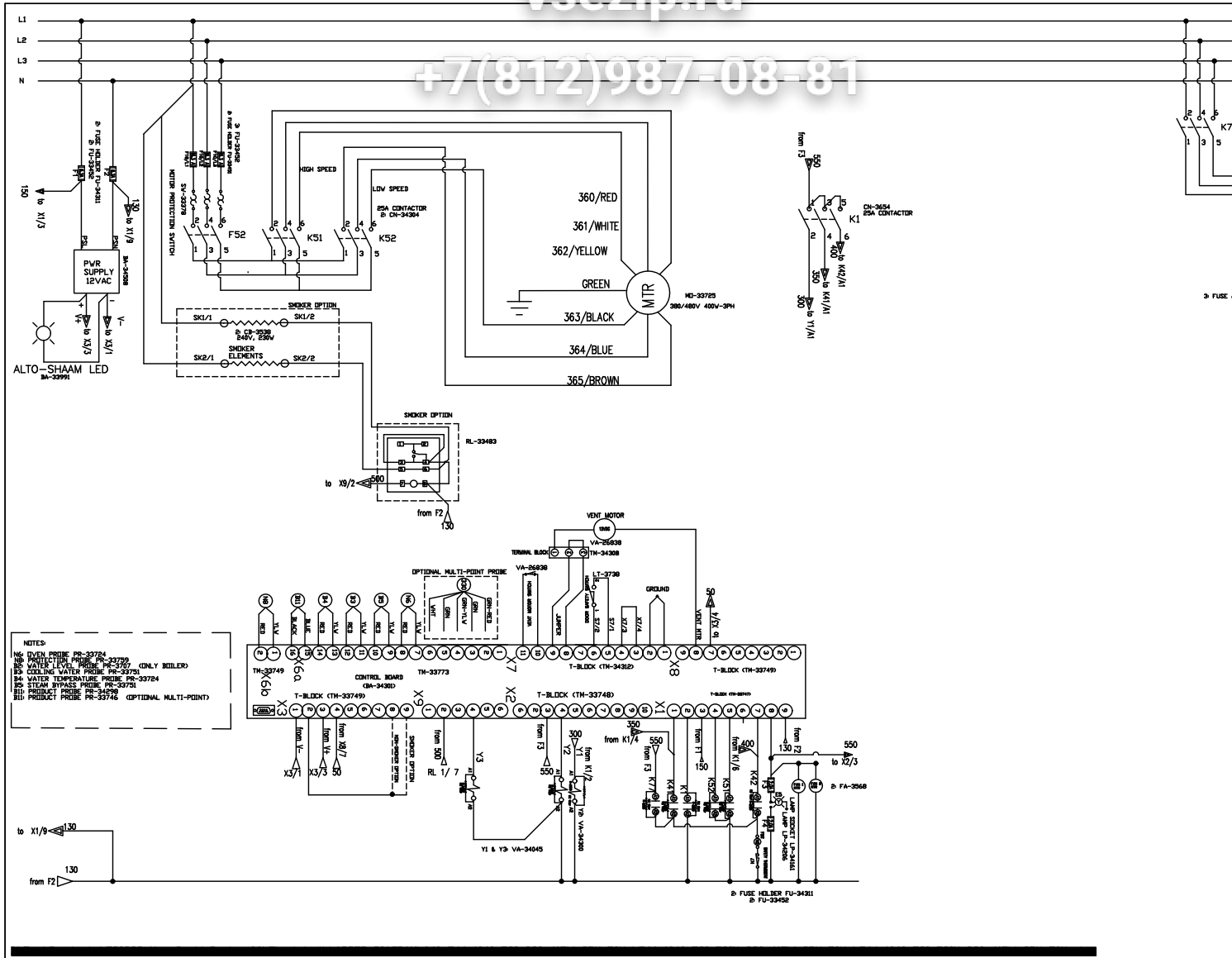
Вип Обслужит  
vsezip.ru

+7(812)987-08-81

| VOLTS     | WATTS        | AMPS      |
|-----------|--------------|-----------|
| 440 V     | 15900 W      | 21.0 A    |
| 480 V     | 18900 W      | 23.0 A    |
| 440-480 V | 15.9-18.9 KW | 21.0-23.0 |

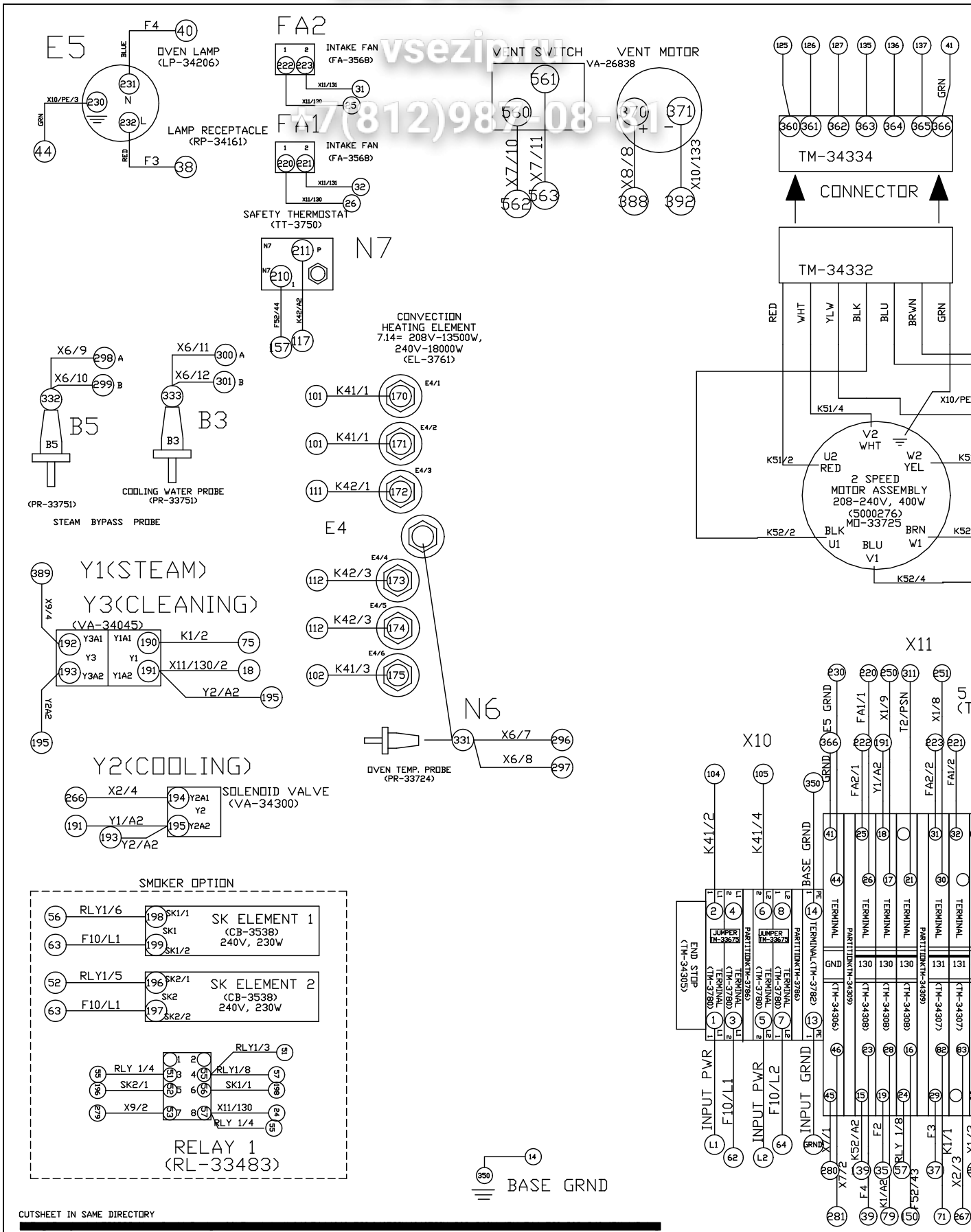








# Зип Общежит

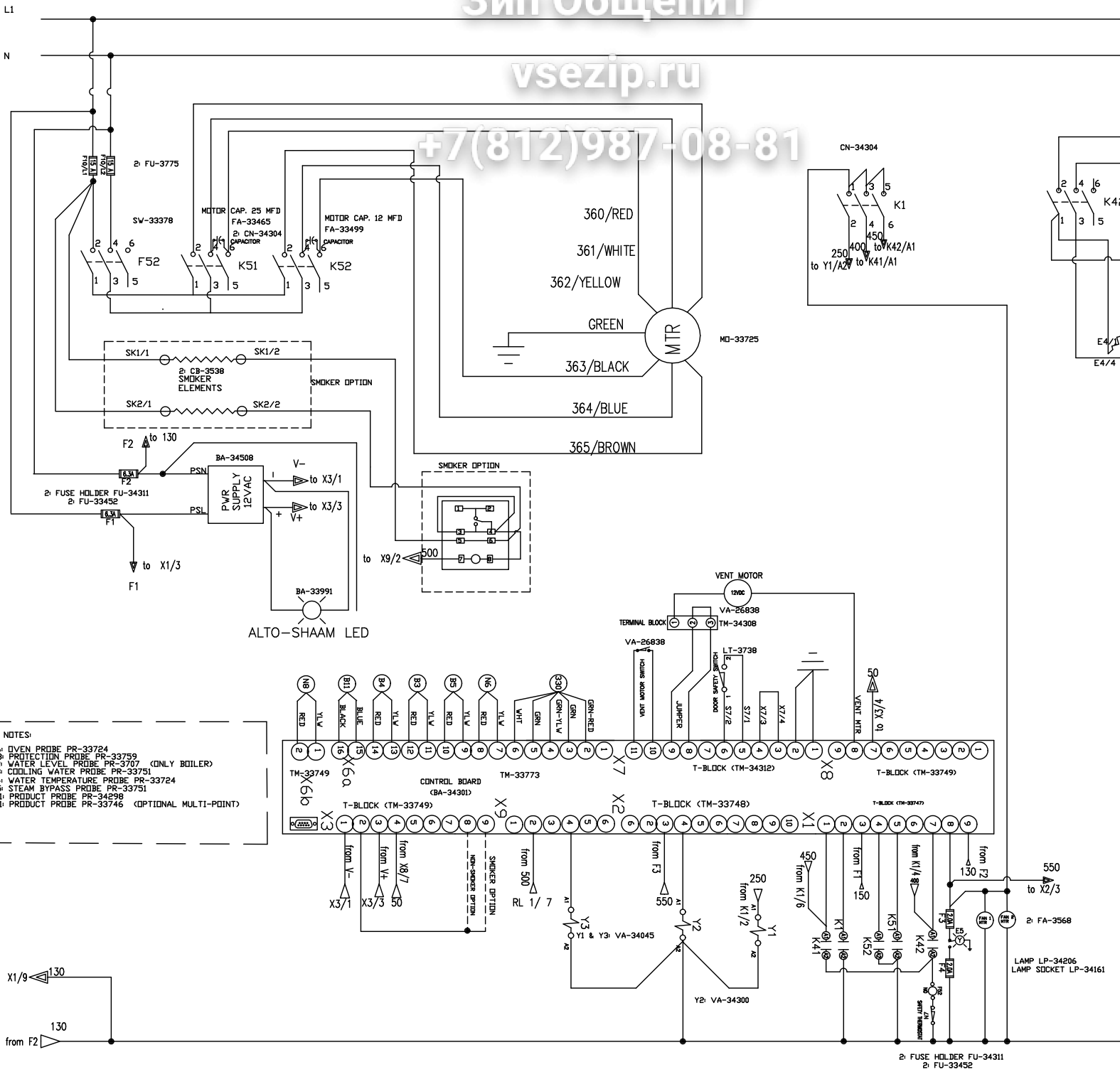


CUTSHEET IN SAME DIRECTORY

# Зип Ощепит

vsezip.ru

+7(812)987-08-81



- NOTES:
- N6: OVEN PROBE PR-33724
  - N9: PROTECTION PROBE PR-33759
  - B2: WATER LEVEL PROBE PR-3707 (ONLY BOILER)
  - B3: COOLING WATER PROBE PR-33751
  - B4: WATER TEMPERATURE PROBE PR-33724
  - B5: STEAM BYPASS PROBE PR-33751
  - B11: PRODUCT PROBE PR-34298
  - B12: PRODUCT PROBE PR-33746 (OPTIONAL MULTI-POINT)

2: FUSE HOLDER FU-34311  
2: FU-33452

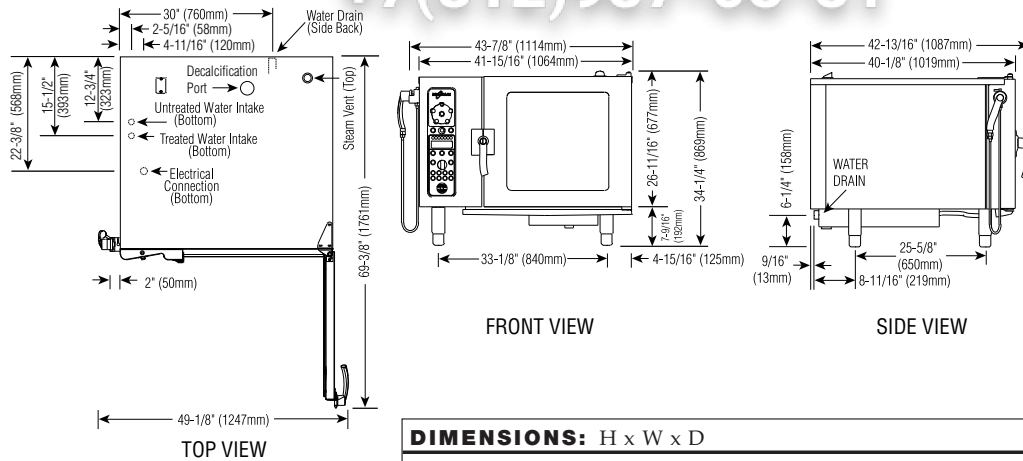
## SECTION CONTENTS

|  |                  |     |
|--|------------------|-----|
| Technical Data.....                              | vsezip.ru        | 188 |
| Parts Information.....                           | +7(812)987-08-81 | 189 |
| Door Assembly.....                               |                  | 189 |
| Recessed Door Assembly (Prior to June '08).....  |                  | 190 |
| Recessed Door Assembly (June '08 and After)..... |                  | 191 |
| Directional Panel Assembly.....                  |                  | 192 |
| Steam Generator Assembly.....                    |                  | 193 |
| Wiring and Ladder Diagrams.....                  |                  | 194 |
| 208-240V 3PH 50/60 Hz Wiring.....                |                  | 194 |
| 208-240V 3PH 50/60 Hz Ladder.....                |                  | 195 |
| 440-480V 3PH 50/60 Hz Wiring.....                |                  | 196 |
| 440-480V 3PH 50/60 Hz Ladder.....                |                  | 197 |
| 380-415V 3PH 50 Hz Wiring.....                   |                  | 198 |
| 380-415V 3PH 50 Hz Ladder.....                   |                  | 199 |
| 208-240V 1PH 50/60 Hz Wiring.....                |                  | 200 |
| 208-240V 1PH 50/60 Hz Ladder.....                |                  | 201 |
| Return to Main Table of Contents.....            |                  | 3   |

## 7 • 14 ES SPECIFICATIONS



+7(812)987-08-81



|  |   |
|--|---|
| <b>DIMENSIONS: H x W x D</b>           |   |
| <b>EXTERIOR:</b>                       | 34-1/4" x 43-7/8" x 42-13/16" (869mm x 1114mm x 1087mm) |
| <b>EXTERIOR WITH RETRACTABLE DOOR:</b> | 34-1/4" x 47-7/8" x 42-13/16" (869mm x 1216mm x 1087mm) |
| <b>INTERIOR:</b>                       | 20-5/16" x 23-1/2" x 28-7/16" (515mm x 596mm x 722mm)   |

**INSTALLATION REQUIREMENTS**  
 Oven must be installed level.  
 Hood installation is required.  
 Water supply shut-off valve and back-flow preventer.

**WATER REQUIREMENTS**  
**TWO (2) COLD WATER INLETS - DRINKING QUALITY**  
 ONE (1) TREATED WATER INLET: 3/4" NPT\*  
 ONE (1) UNTREATED WATER INLET: 3/4" NPT\*  
 LINE PRESSURE: 30 to 90 psi 2.8 to 6.2 bar  
**WATER DRAIN:** 1-1/2" CONNECTION WITH AIR GAP  
 \* Can manifold off of one 3/4" line.

**CLEARANCE REQUIREMENTS**  
 LEFT: 6" (152mm) PLUS SERVICE ACCESS: 18" (457mm) RECOMMENDED 20" (508mm) FROM HEAT PRODUCING EQUIPMENT  
 RIGHT: 4" (102mm) TOP: 20" (508mm) FOR AIR MOVEMENT  
 BACK: 4" (102mm) BOTTOM: 5-1/8" (130mm) FOR LEGS  
 COUNTER-TOP INSTALLATIONS MUST MAINTAIN 4" (102mm) MINIMUM CLEARANCE FROM COUNTER SURFACE.

| <b>WATER QUALITY MINIMUM STANDARDS</b>   |  |
|--|--|
| USING A WATER SUPPLY NOT MEETING ALTO-SHAAM'S MINIMUM WATER QUALITY STANDARDS WILL VOID THIS WARRANTY. It is the responsibility of the purchaser to ensure that incoming water supply is compliant with the specifications listed through adequate treatment measures. Installation of the CombiGuard™ Water Filtration System is recommended, but this system may not address all water quality issues present. |  |
| Contaminant  | Inlet Water Requirements (untreated water) |
| Free Chlorine  | Less than 0.1 ppm (mg/L)                   |
| Hardness   | Less than 3 gpg (52 ppm)                   |
| Chloride   | Less than 30 ppm (mg/L)                    |
| pH   | 7.0 to 8.5                                 |
| Alkalinity   | Less than 50 ppm (mg/L)                    |
| Silica   | Less than 12 ppm (mg/L)                    |
| Total Dissolved Solids (tds)   | Less than 60 ppm                           |

| <b>ELECTRICAL</b> |         |       |          |                    |         |      |
|-------------------|---------|-------|----------|--------------------|---------|------|
|                   | VOLTAGE | PHASE | CYCLE/HZ | AWG                | AMPS    | kW   |
| 208-240           | at 208  | 1*    | 50/60    | 2 Wire plus ground | 67.0    | 13.9 |
|                   | at 240  |       |          | AWG 3              | 77.0    | 18.4 |
| 208-240           | at 208  | 3     | 50/60    | 3 Wire plus ground | 38.5/ph | 13.8 |
|                   | at 240  |       |          | AWG 6              | 44.0/ph | 18.3 |
| 380-415           | at 380  | 3     | 50/60    | 4 Wire plus ground | 21.5/ph | 14.2 |
|                   | at 415  |       |          | AWG 10             | 25.6/ph | 18.4 |
| 440-480           | at 440  | 3*    | 50/60    | 3 Wire plus ground | 20.0/ph | 15.4 |
|                   | at 480  |       |          | AWG 8              | 22.0/ph | 18.4 |

\* ELECTRICAL SERVICE CHARGE APPLIES

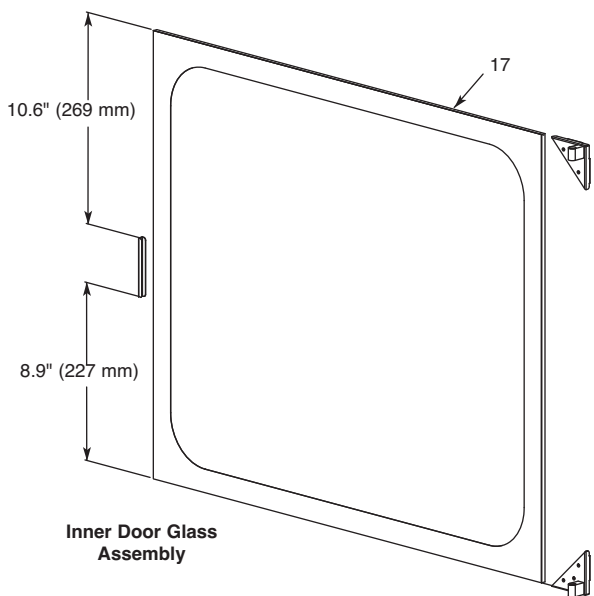
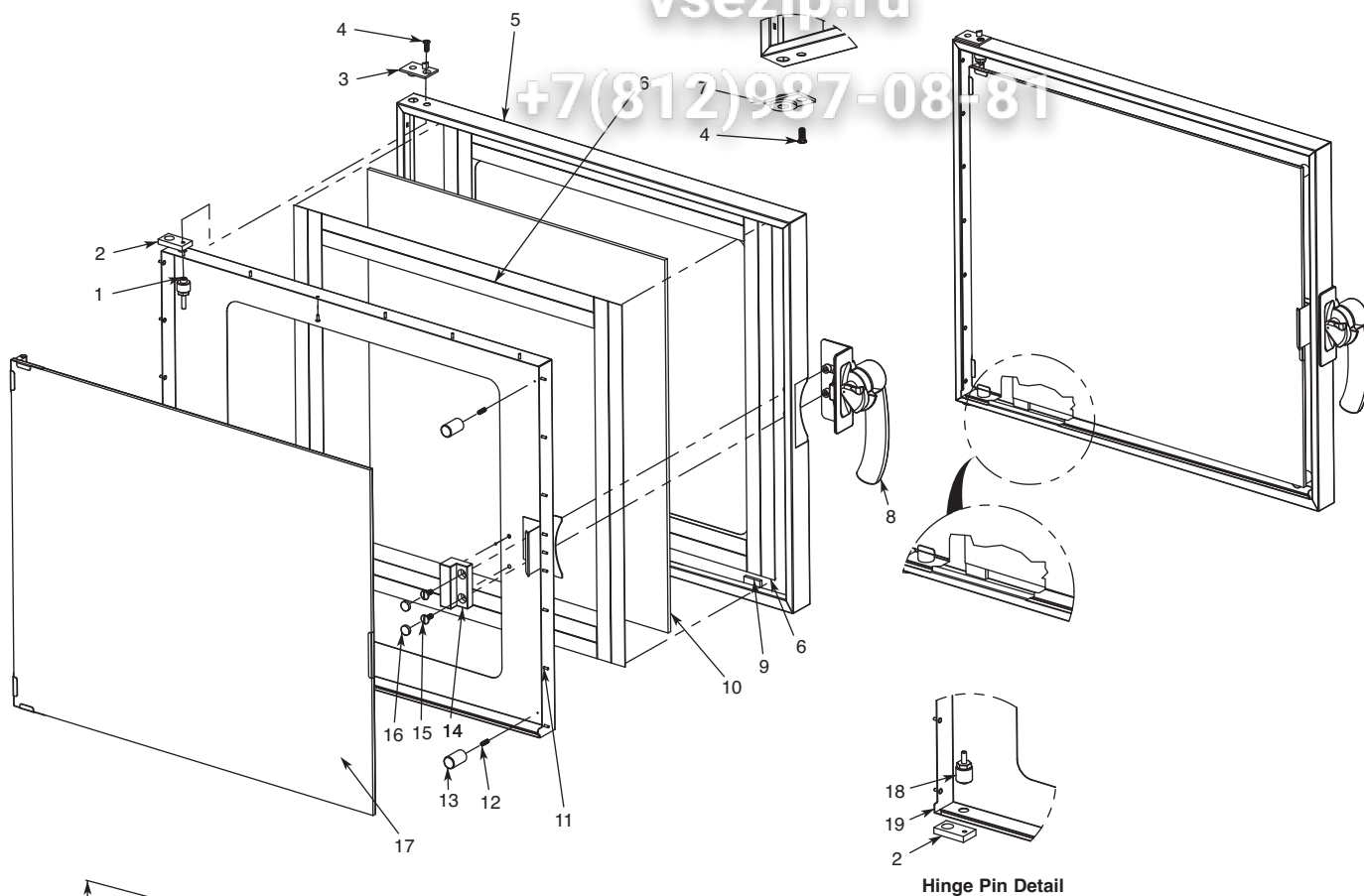
| <b>WEIGHT</b>                      |                      | <b>CAPACITY</b>                                |                                  |
|------------------------------------|----------------------|--|----------------------------------|
| NET                                | 416 lb (189 kg)      | FULL-SIZE PANS:                                | 20" x 12" x 2-1/2" Fourteen (14) |
|                                    |                      | GN 1/1:  | 530 x 325 x 65mm Fourteen (14)   |
| SHIP                               | 540 lb (245 kg)      | GN 2/1:  | 650 x 530 x 65mm Seven (7)       |
|                                    |                      | FULL-SIZE SHEET PANS:*<br>ON WIRE SHELVES ONLY | 18" x 26" x 1" Seven (7)         |
| CRATE                              | 52" x 50" x 46" EST. | 168 lb (76 kg) MAXIMUM                         |                                  |
| DIMENSIONS: (1321 x 1270 x 1168mm) |                      | VOLUME MAXIMUM: 105 QUARTS (133 LITERS)        |                                  |

\*ADDITIONAL WIRE SHELVES REQUIRED FOR MAXIMUM CAPACITY

## DOOR ASSEMBLY

vsezip.ru

+7(812)987-08481



| Item | Part     | Description   | Qty. |
|------|----------|---|------|
| 1    | PI-26973 | Pin, Upper  | 1    |
| 2    | HG-25078 | Hinge, CT, Anchor, ML Combi                               | 2    |
| 3    | HG-25077 | Hinge, CT, Top Stop, ML Combi                             | 1    |
| 4    | SC-22282 | Screw, CT, 1.0X 16 mm, PH Oval, HD N/S 18-8, DIN # 966A   | 2    |
| 5    | 1005957  | Outer Panel, Door   | 1    |
| 6    | TA-25125 | Tape, Double Sided  | 2    |
| 7    | HG-25079 | Hinge, CT, Upper Ratchet, Combi                           | 1    |
| 8    | HD-26966 | Handle, Door, Right, Combi '06                            | 1    |
| 9    | BM-27116 | Bumper  | 2    |
| 10   | GL-27110 | Glass, Outer Door, 7.14 EP                                | 1    |
| 11   | RI-27108 | Rivet, Sealed   | 22   |
| 12   | SC-25091 | Screw, CT, M5X16, DIN 551, A2 S/S, SLTD Set Screw Flat PT | 2    |
| 13   | BM-27146 | Bumper Stop/Inner Door                                    | 2    |
| 14   | SP-27212 | Spacer, Window Latch                                      | 1    |
| 15   | SC-27125 | Screw, Truss Head, S/S                                    | 2    |
| 16   | PG-24789 | Plug, 15 mm   | 2    |
| 17   | 5005090  | Inner Door, Glass Assembly                                | 1    |
| 18   | PI-26974 | Pin, Lower  | 1    |
| 19   | 5005089  | Inner Door Spot RH  | 1    |
| *    | CL-27854 | Inner Door Latch  | 1    |

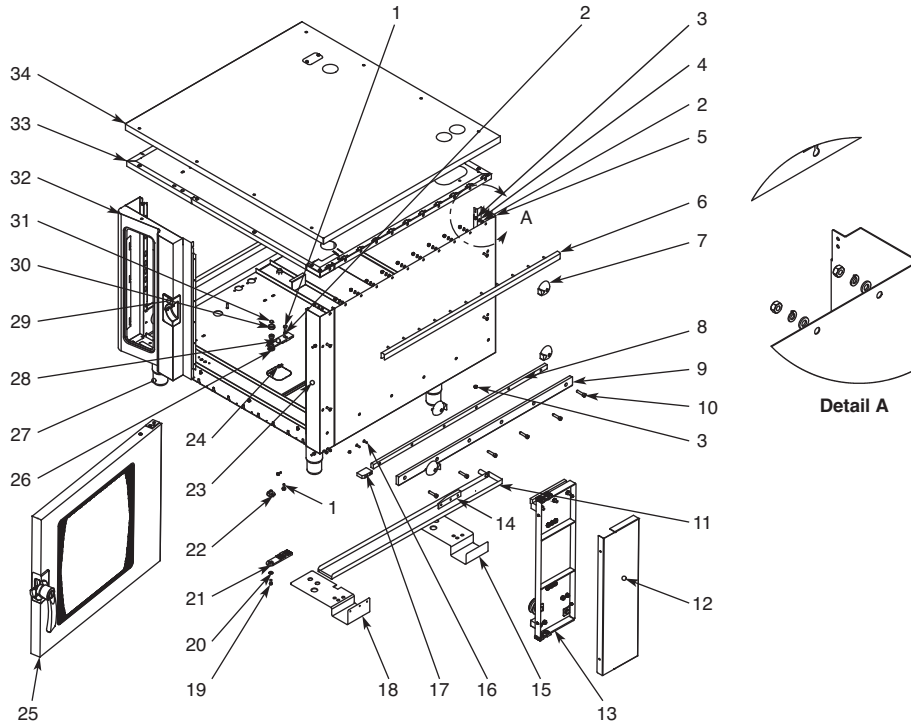
\*Item Not Shown

# PARTS INFORMATION **Всezip**

## RECESSED DOOR ASSEMBLY (PRIOR TO JUNE '08)

vsezip.ru

+7(812)987-08-81



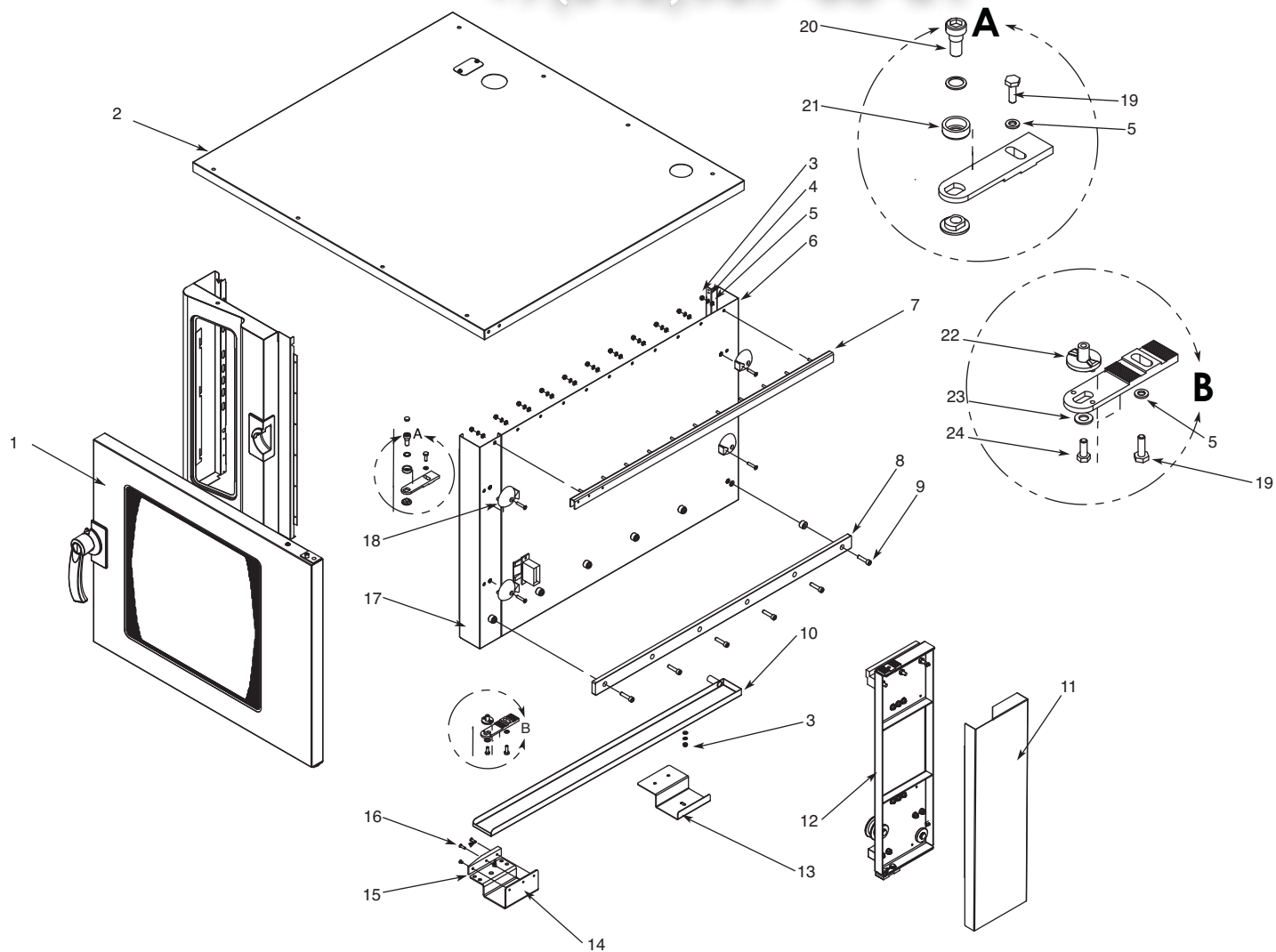
| Item | Part     | Description                    | Qty. |
|------|----------|--------------------------------|------|
| 1    | SC-22924 | M6 x 20 Hex Trim HD            | 2    |
| 2    | WS-22297 | Washer, Flat, M6, DIN 125      | 14   |
| 3    | NU-22291 | M6-1.0 x Hex S/S Nut 18-8      | 12   |
| 4    | WS-22302 | Washer, Lock, M6, DIN 127B     | 12   |
| 5    | 5008015  | Right Side Assembly            | 1    |
| 6    | 5007897  | Channel Assembly               | 1    |
| 7    | BK-27412 | Recessed Door Block            | 4    |
| 8    | RA-28207 | Rail, Top                      | 1    |
| 9    | RA-28208 | Rail, Bottom                   | 1    |
| 10   | SC-24388 | Screw, SHC M8 x 35 S/S         | 6    |
| 11   | 5007893  | Drip Pan Assembly              | 1    |
| 12   | 1008869  | Cover, Trolley                 | 1    |
| 13   | 5008001  | Trolley Assembly               | 1    |
| 14   | BK-22100 | White Teflon, Cart Guide Block | 1    |
| 15   | 1008505  | Rear Bracket, Recessed         | 1    |
| 16   | SC-22281 | Screw, M5 x 16 Flat Head CSink | 2    |
| 17   | BK-28252 | Block, Guide                   | 1    |

| Item | Part     | Description                | Qty. |
|------|----------|----------------------------|------|
| 18   | 1008506  | Front Bracket Recessed     | 1    |
| 19   | SC-22284 | Screw, M6 x 16 Hex S/S HD  | 1    |
| 20   | WS-22298 | Washer, M8, 18-8           | 1    |
| 21   | HG-28040 | Hinge                      | 1    |
| 22   | HG-25101 | Hinge, Lower Ratchet       | 1    |
| 23   | 5008014  | Front Corner Assembly      | 1    |
| 24   | SC-26060 | M5 x 16 Hex Head           | 4    |
| 25   | 5008004  | Door Assembly Recessed     | 1    |
| 26   | WS-25124 | Eccentric Washer           | 1    |
| 27   | LG-26867 | Legs, Combi                | 4    |
| 28   | HG-28041 | Hinge                      | 1    |
| 29   | LT-26968 | Latch, Door, Right         | 1    |
| 30   | WS-25127 | Covering Washer, For Hinge | 1    |
| 31   | PG-25132 | M12, (Black or Natural)    | 1    |
| 32   | PE-27559 | Front Panel Weld Assembly  | 1    |
| 33   | 5005065  | Fill In Cover Assembly     | 1    |
| 34   | 5007895  | Outer Cover Assembly       | 1    |

## RECESSED DOOR ASSEMBLY (JUNE '08 AND AFTER)

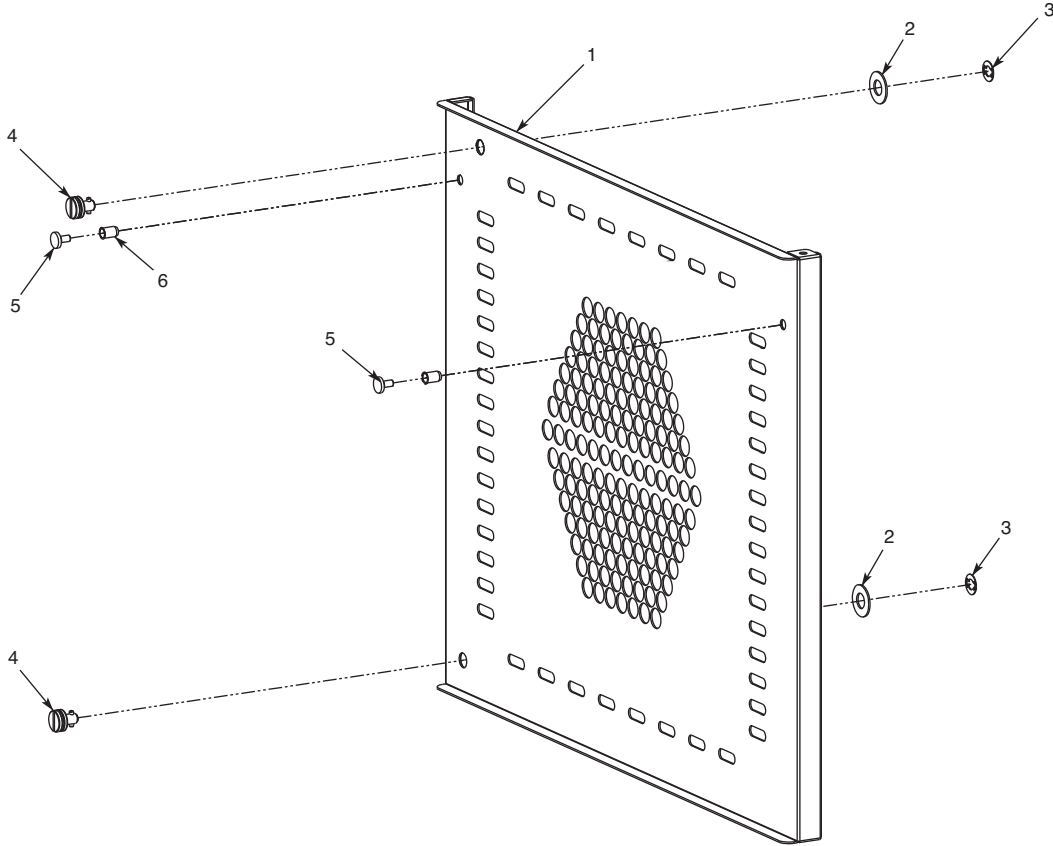
vsezip.ru

+7(812)987-08-81



| Item | Part     | Description                | Qty. |
|------|----------|----------------------------|------|
| 1    | 5008004  | Door Assembly Recessed     | 1    |
| 2    | 5008458  | Outer Cover Assembly       | 1    |
| 3    | NU-22291 | M6-1.0 x Hex S/S Nut 18-8  | 12   |
| 4    | WS-22302 | Washer, Lock, M6, DIN 127B | 12   |
| 5    | WS-22297 | Washer, Flat               | 14   |
| 6    | 5008848  | Right Side Assembly        | 1    |
| 7    | 5007897  | Channel Assembly           | 1    |
| 8    | RA-28208 | Rail                       | 1    |
| 9    | SC-24388 | Screw, SHC M8 x 35 S/S     | 6    |
| 10   | 5007893  | Drip Pan Assembly          | 1    |
| 11   | 1009543  | Cover, Trolley             | 1    |
| 12   | 5008001  | Trolley Assembly           | 1    |

| Item | Part     | Description                    | Qty. |
|------|----------|--------------------------------|------|
| 13   | 1009578  | Rear Drip Tray Bracket         | 1    |
| 14   | 1009546  | Front Bracket Recessed         | 1    |
| 15   | BK-22100 | White Teflon, Cart Guide Block | 1    |
| 16   | SC-22281 | Screw, M5 x 16 Flat Head CSink | 2    |
| 17   | 5008014  | Front Corner Assembly          | 1    |
| 18   | SC-27284 | Screw, M6 x 30 Flat Head       | 4    |
| 19   | SC-22924 | Screw, M6 x 20 Hex Trim HD     | 2    |
| 20   | SC-25102 | Upper Hinger Axis Screw        | 1    |
| 21   | WS-25127 | Covering Washer, For Hinge     | 1    |
| 22   | HG-25101 | Hinge, Lower Ratchet           | 1    |
| 23   | WS-22298 | Washer, M8, 18-8               | 1    |
| 24   | SC-22284 | Screw, M6 x 16 Hex S/S Head    | 1    |



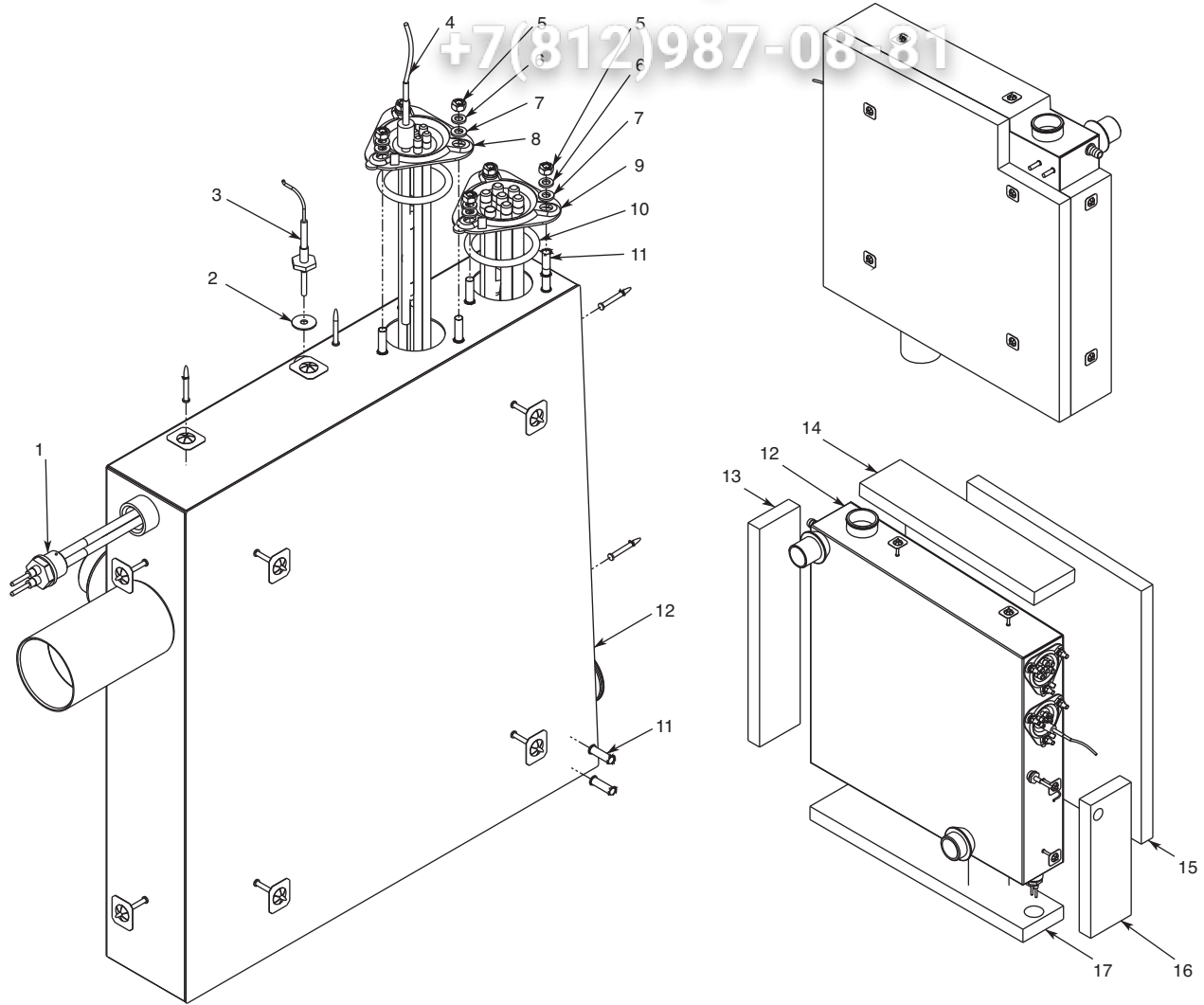
| Item | Part     | Description                         | Qty. |
|------|----------|-------------------------------------|------|
| 1    | 1006474  | Directional Panel                   | 1    |
| 2    | 1006601  | 16 GA Directional Panel Spacer      | 2    |
| 3    | WS-24090 | Holding (Lock Clip), All Combi's ML | 2    |
| 4    | CL-24089 | Clip, CT, ML, Lock, W/3 Washers     | 2    |
| 5    | SC-22753 | Screw, SS Round, Hanging Rack       | 2    |
| 6    | NU-22770 | Nut, Threaded Insert, M6            | 2    |



## STEAM GENERATOR ASSEMBLY

vsezip.ru

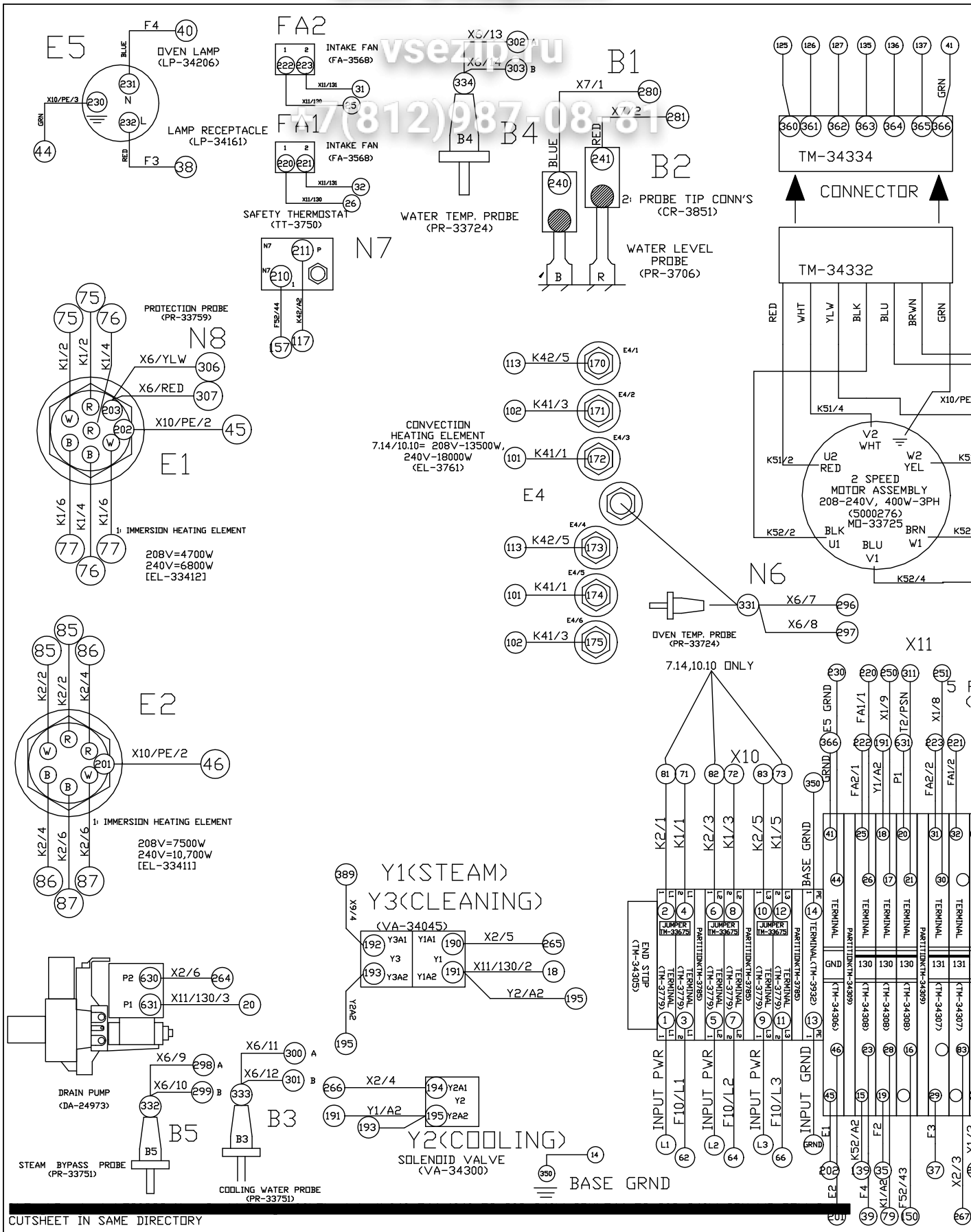
+7(812)987-08-81



| Item | Part     | Description   | Qty. |
|------|----------|---|------|
| 1    | PR-3706  | CT, Water Lev. Lg 3/4" NPT Fitting, 316 S/S Electr. | 1    |
| 2    | SA-25061 | CT, T-Couple Probe, ML Combi                        | 1    |
| 3    | PR-33724 | CT, ML Combi, Thermocouple, 1650 mm Wire Length     | 1    |
| 4    | PR-33759 | CT, ML, Combi, Temperature Sensor                   | 1    |
| 5    | NU-22291 | M6-1.0 x Hex S/S Nut 18-8                           | 6    |
| 6    | WS-22302 | Washer, M6 DIN # 127B                               | 6    |
| 7    | WS-22297 | Washer, Flat, M6 DIN 125                            | 6    |
| 8    | EL-33412 | CT, Heater, ML, Combi Immersion, 6kw, Flanged       | 1    |
| 9    | EL-33411 | CT, Heater, ML, Combi Immersion, 9kw, Flanged       | 1    |
| 10   | SA-23932 | O-Ring, 14 mm x 2.5 mm Viton                        | 2    |
| 11   | ST-22278 | Stud M6 x 20 mm                                     | 8    |
| 12   | 5004590  | Generator Weld                                      | 1    |
| 13   | IN-27239 | Insulation, Steam Gen, Heater Side                  | 1    |
| 14   | IN-27241 | Insulation, Steam Gen, Top                          | 1    |
| 15   | IN-27238 | Insulation, Steam Gen, Drip Tube Side               | 1    |
| 16   | IN-27240 | Insulation, Steam Gen, Bottom                       | 1    |
| 17   | CL-22259 | Insulation Spike Cup                                | 12   |
| *    | IN-27237 | Insulation, Steam Gen, Back                         | 1    |

\*Item Not Shown

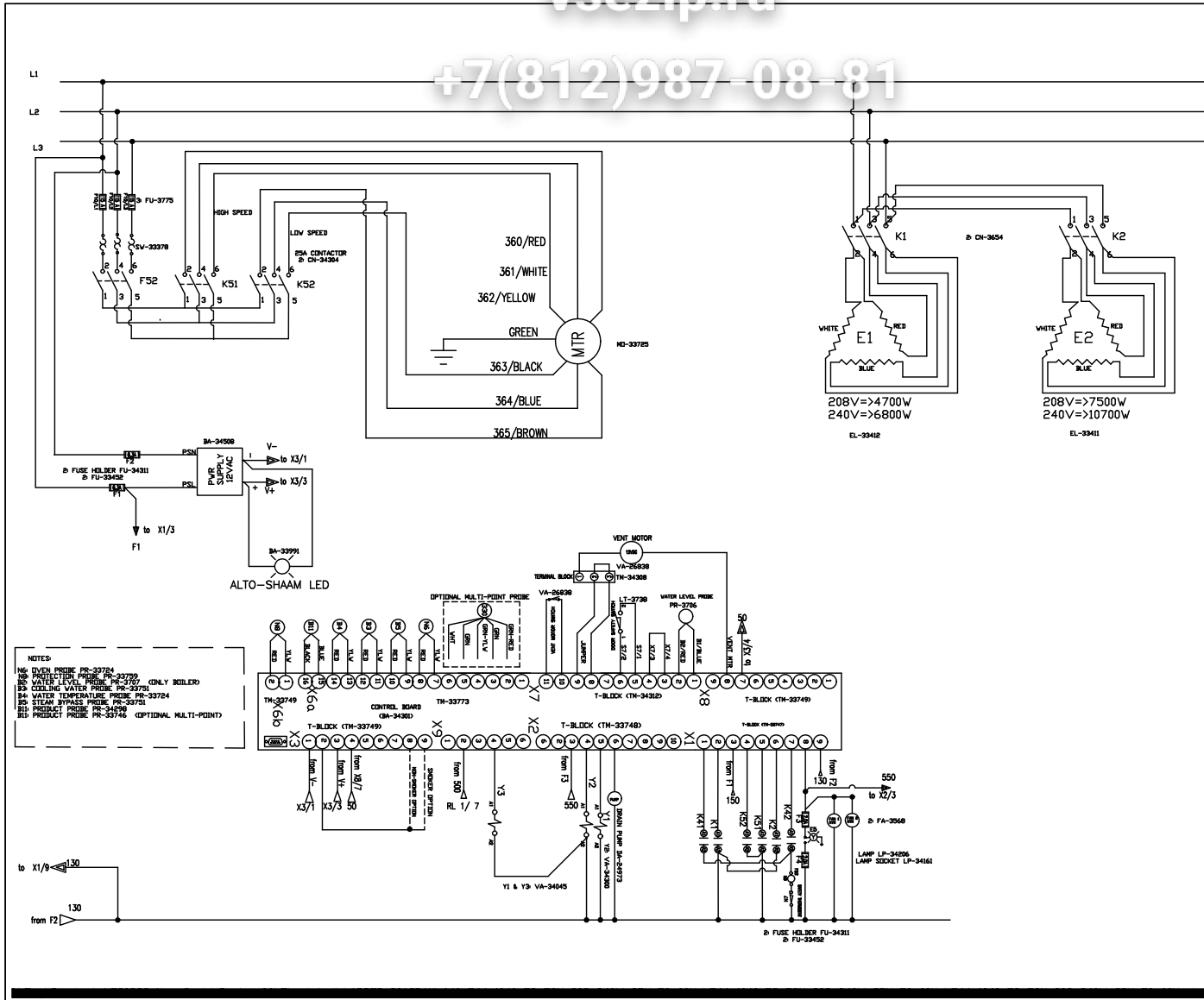
# Зип Общепит



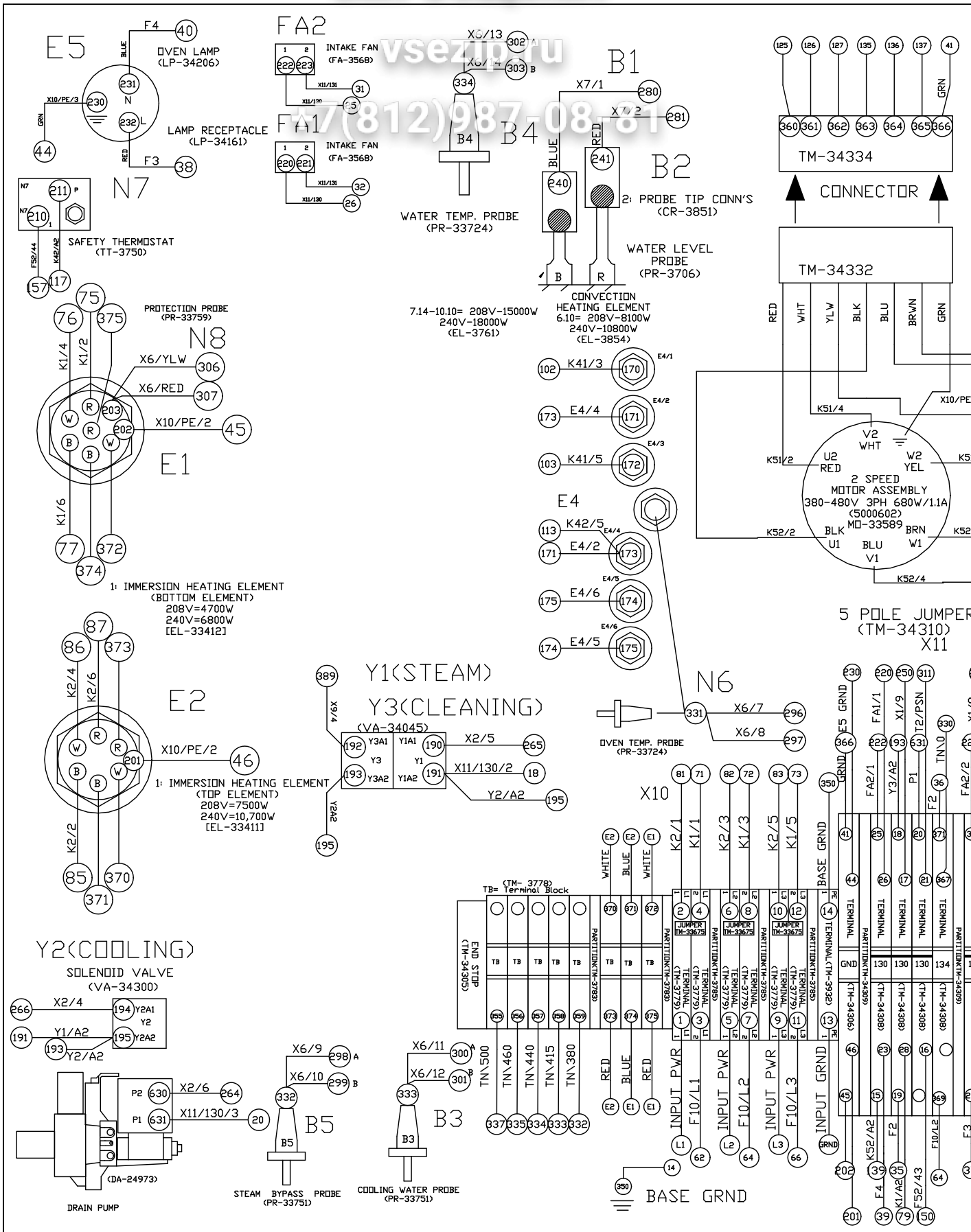
# Зип Общепит

## vsezip.ru

### +7(812)987-08-81



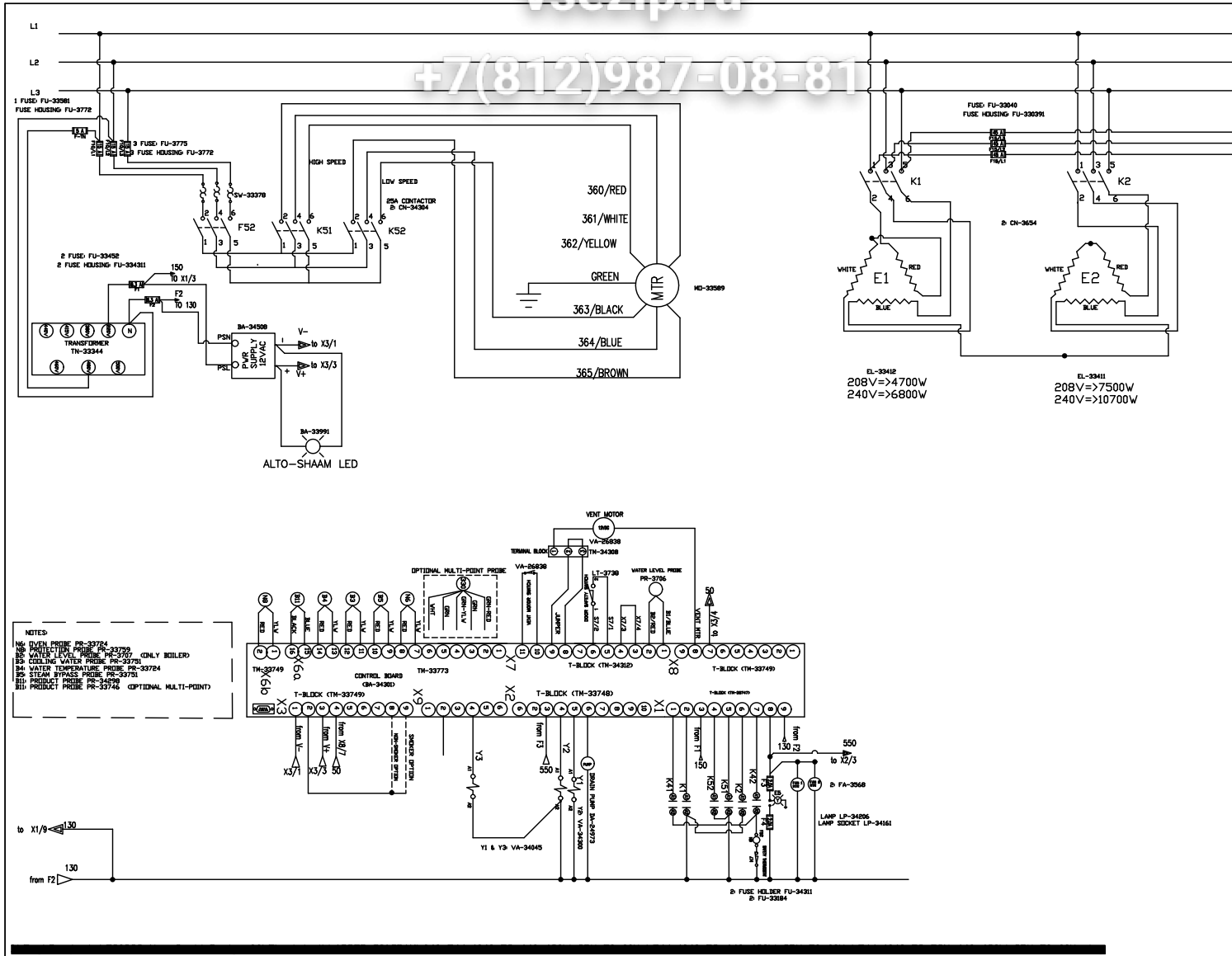
# Зип Общепит



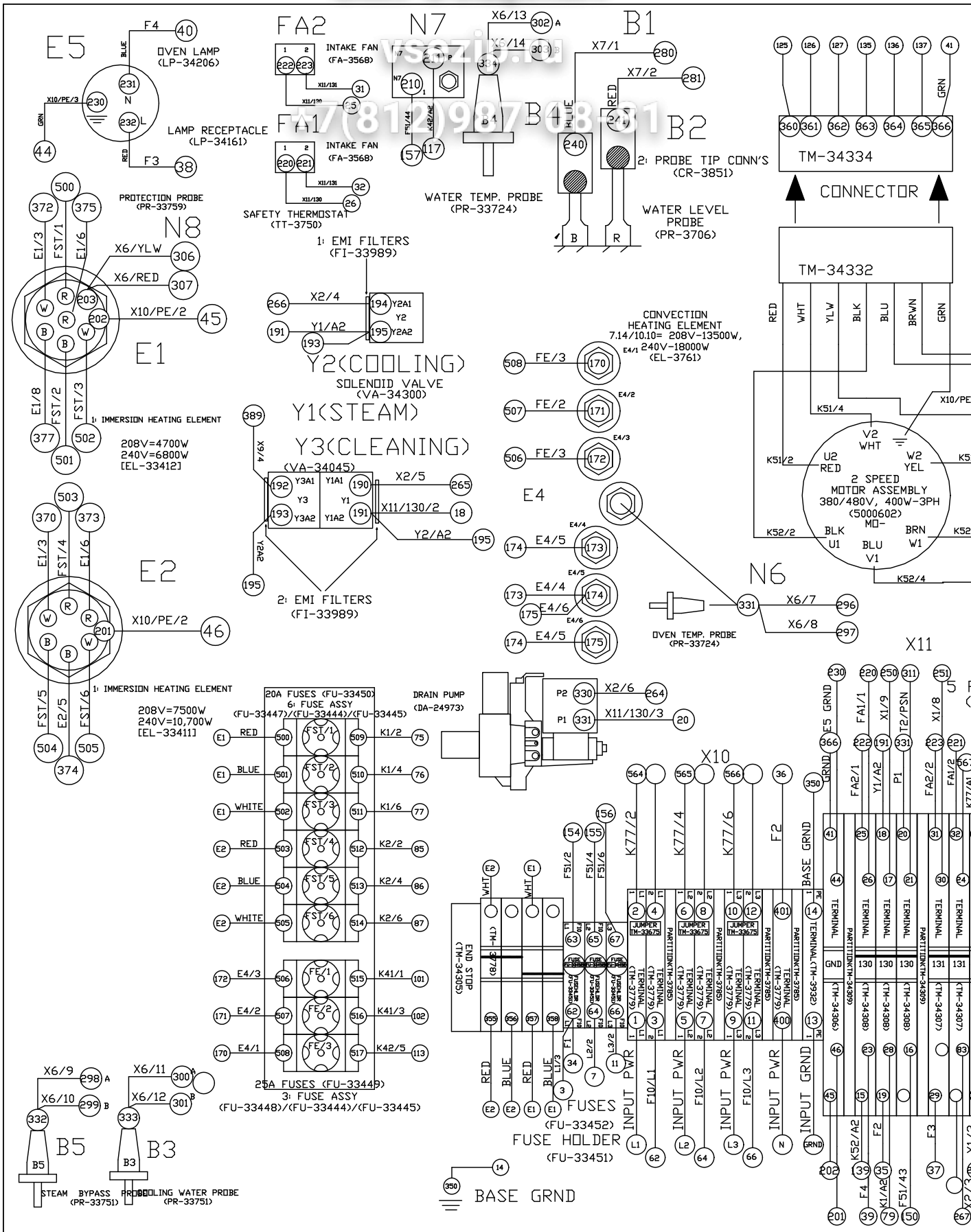
# Зип Общепит

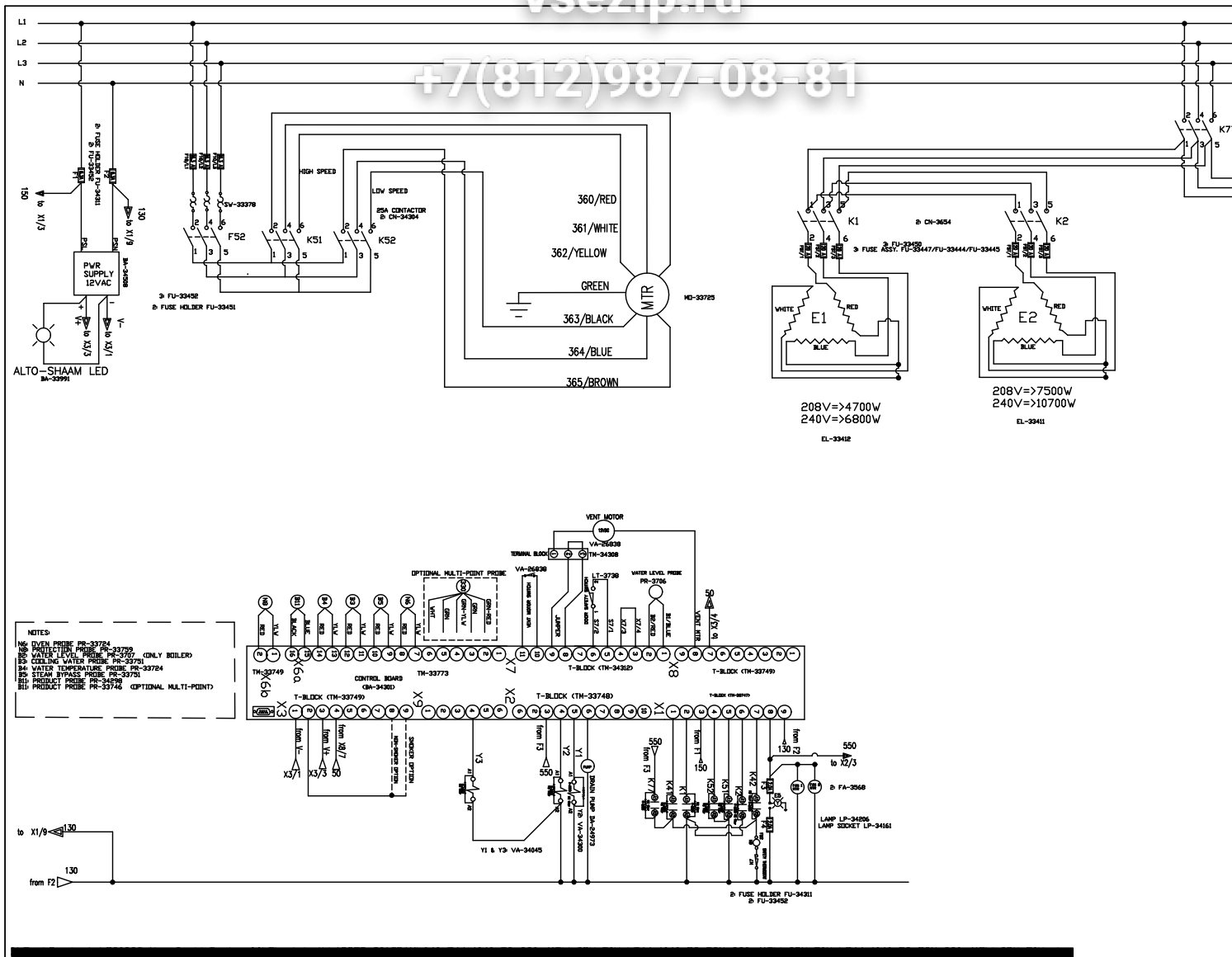
vsezip.ru

+7(812)987-08-81

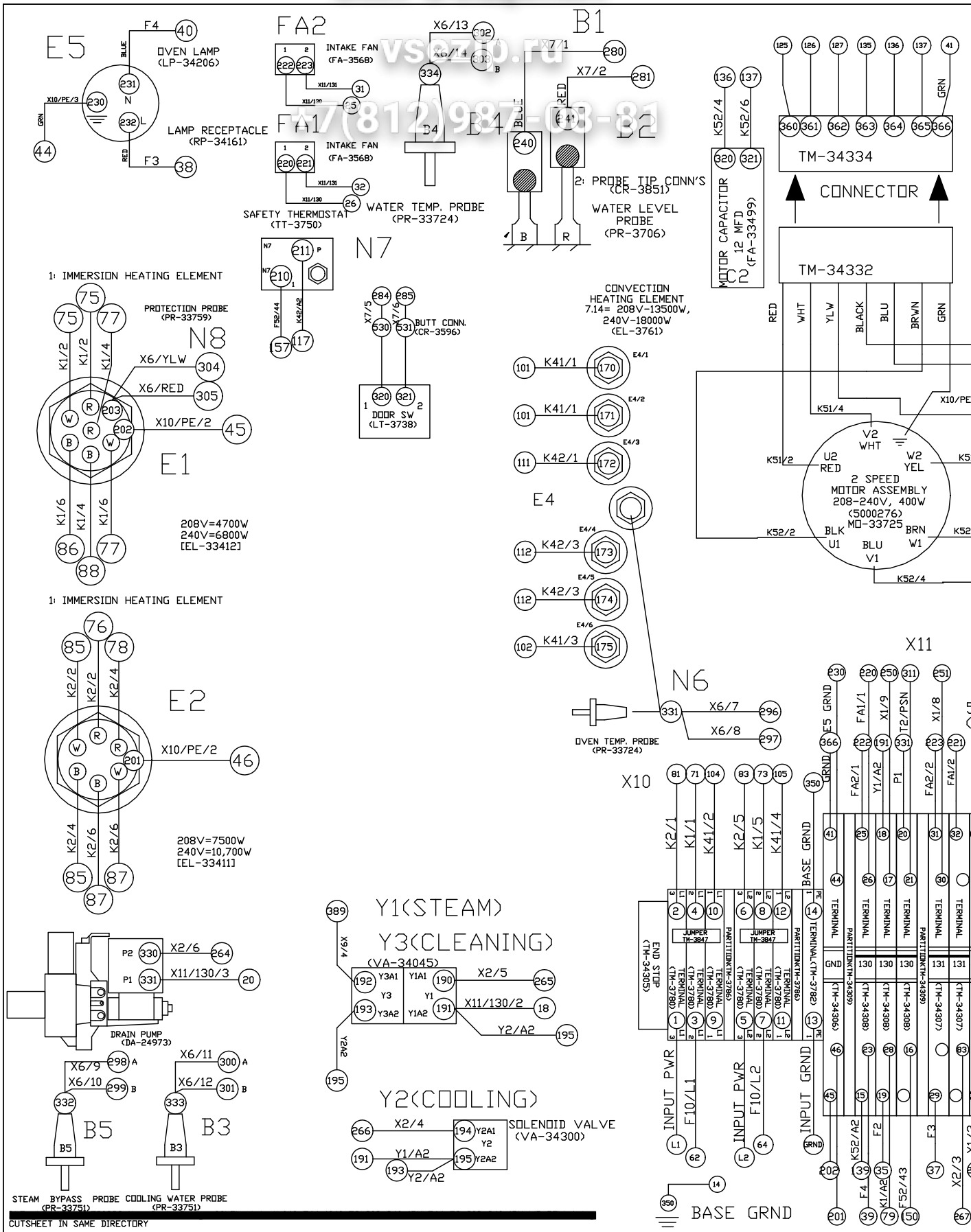


# Зип Общежит





# Зип Общежит



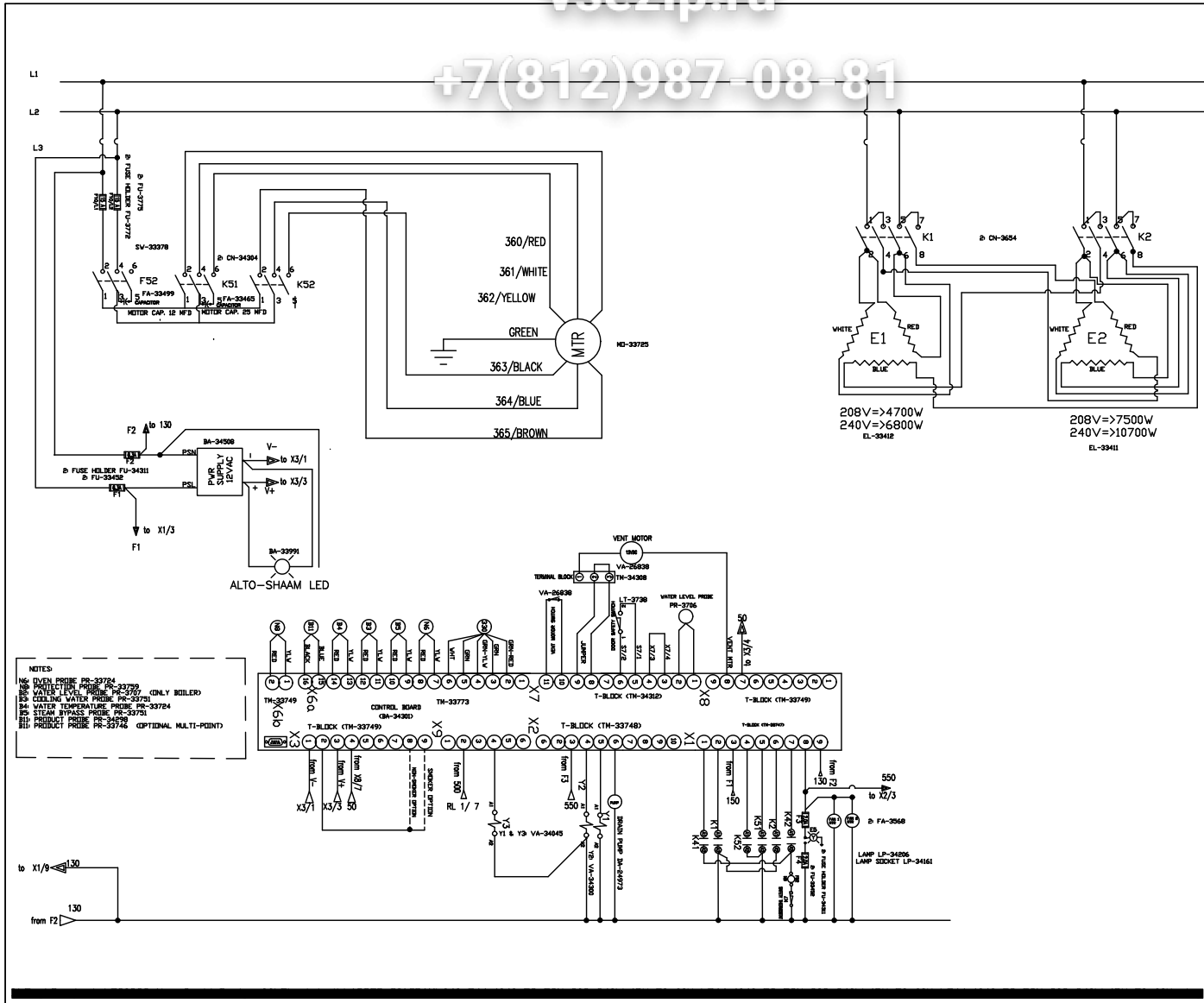
STEAM BYPASS PROBE COOLING WATER PROBE (PR-33751) (PR-33751)  
 CUTSHEET IN SAME DIRECTORY



# Зип Общепит

## vsezip.ru

### +7(812)987-08-81



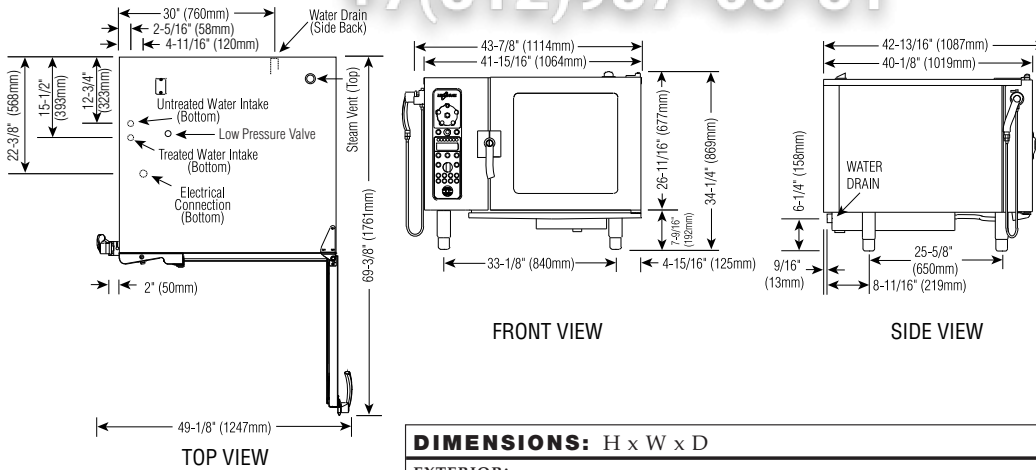


**SECTION CONTENTS**

|  |                  |     |
|--|------------------|-----|
| Technical Data.....                    | vsezip.ru        | 204 |
| Parts Information.....                 | +7(812)987-08-81 | 205 |
| Door Assembly.....                     |                  | 205 |
| Recessed Door Assembly.....            |                  | 206 |
| Directional Panel Assembly.....        |                  | 207 |
| Pressure Box Assembly.....             |                  | 208 |
| Wiring and Ladder Diagrams .....       |                  | 209 |
| 208-240V 3PH 50/60 Hz Wiring .....     |                  | 209 |
| 208-240V 3PH 50/60 Hz Ladder.....      |                  | 210 |
| 440-480V 3PH 50/60 Hz Wiring .....     |                  | 211 |
| 440-480V 3PH 50/60 Hz Ladder.....      |                  | 212 |
| 380-415V 3PH 50 Hz Wiring .....        |                  | 213 |
| 380-415V 3PH 50 Hz Ladder .....        |                  | 214 |
| 208-240V 1PH 50/60 Hz Wiring .....     |                  | 215 |
| 208-240V 1PH 50/60 Hz Ladder.....      |                  | 216 |
| Return to Main Table of Contents ..... |                  | 3   |



+7(812)987-08-81



|  |   |
|--|---|
| <b>DIMENSIONS: H x W x D</b>           |   |
| <b>EXTERIOR:</b>                       | 34-1/4" x 43-7/8" x 42-13/16" (869mm x 1114mm x 1087mm) |
| <b>EXTERIOR WITH RETRACTABLE DOOR:</b> | 34-1/4" x 47-7/8" x 42-13/16" (869mm x 1216mm x 1087mm) |
| <b>INTERIOR:</b>                       | 20-5/16" x 23-1/2" x 28-7/16" (515mm x 596mm x 722mm)   |

**INSTALLATION REQUIREMENTS**  
 Oven must be installed level.  
 Hood installation is required.  
 Water supply shut-off valve and back-flow preventer.

**WATER REQUIREMENTS**  
**TWO (2) COLD WATER INLETS - DRINKING QUALITY**  
 ONE (1) TREATED WATER INLET: 3/4" NPT\*  
 ONE (1) UNTREATED WATER INLET: 3/4" NPT\*  
 LINE PRESSURE: 30 to 90 psi 2.8 to 6.2 bar  
**WATER DRAIN: 1-1/2" CONNECTION WITH AIR GAP**  
 \* Can manifold off of one 3/4" line.

**CLEARANCE REQUIREMENTS**  
 LEFT: 6" (152mm) PLUS SERVICE ACCESS: 18" (457mm) RECOMMENDED  
 20" (508mm) FROM HEAT PRODUCING EQUIPMENT  
 RIGHT: 4" (102mm) TOP: 20" (508mm) FOR AIR MOVEMENT  
 BACK: 4" (102mm) BOTTOM: 5-1/8" (130mm) FOR LEGS  
 COUNTER-TOP INSTALLATIONS MUST MAINTAIN 4" (102mm) MINIMUM CLEARANCE FROM COUNTER SURFACE.

**WATER QUALITY MINIMUM STANDARDS**  
 USING A WATER SUPPLY NOT MEETING ALTO-SHAAM'S MINIMUM WATER QUALITY STANDARDS WILL VOID THIS WARRANTY. It is the responsibility of the purchaser to ensure that incoming water supply is compliant with the specifications listed through adequate treatment measures. Installation of the CombiGuard™ Water Filtration System is recommended, but this system may not address all water quality issues present.

| Contaminant                  | Inlet Water Requirements (untreated water) |
|------------------------------|--|
| Free Chlorine                | Less than 0.1 ppm (mg/L)                   |
| Hardness                     | Less than 3 gpg (52 ppm)                   |
| Chloride                     | Less than 30 ppm (mg/L)                    |
| pH                           | 7.0 to 8.5                                 |
| Alkalinity                   | Less than 50 ppm (mg/L)                    |
| Silica                       | Less than 12 ppm (mg/L)                    |
| Total Dissolved Solids (tds) | Less than 60 ppm                           |

| VOLTAGE | PHASE | CYCLE/HZ | AWG                          | 7•14 Esi |      | 7•14 Esi/sk |      |
|---------|-------|----------|------------------------------|----------|------|-------------|------|
|         |       |          |                              | AMPS     | kW   | AMPS        | kW   |
| 208-240 | 1*    | 50/60    | 2 Wire plus ground<br>AWG 3  | 67.0     | 13.9 | 69.2        | 14.4 |
|         |       |          |                              | 77.0     | 18.4 | 79.0        | 18.9 |
| 208-240 | 3     | 50/60    | 3 Wire plus ground<br>AWG 6  | 38.6/ph  | 13.9 | 40.0/ph     | 14.4 |
|         |       |          |                              | 44.3/ph  | 18.4 | 45.5/ph     | 18.9 |
| 380-415 | 3     | 50/60    | 4 Wire plus ground<br>AWG 10 | 21.1/ph  | 13.9 | 22.0/ph     | 14.4 |
|         |       |          |                              | 25.6/ph  | 18.4 | 26.3/ph     | 18.9 |
| 440-480 | 3*    | 50/60    | 3 Wire plus ground<br>AWG 8  | 20.0/ph  | 15.4 | 21.0/ph     | 15.9 |
|         |       |          |                              | 22.0/ph  | 18.4 | 23.0/ph     | 18.9 |

\* ELECTRICAL SERVICE CHARGE APPLIES

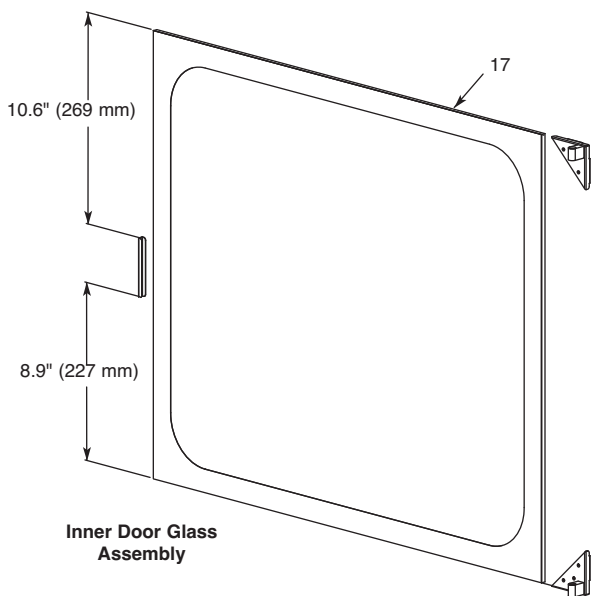
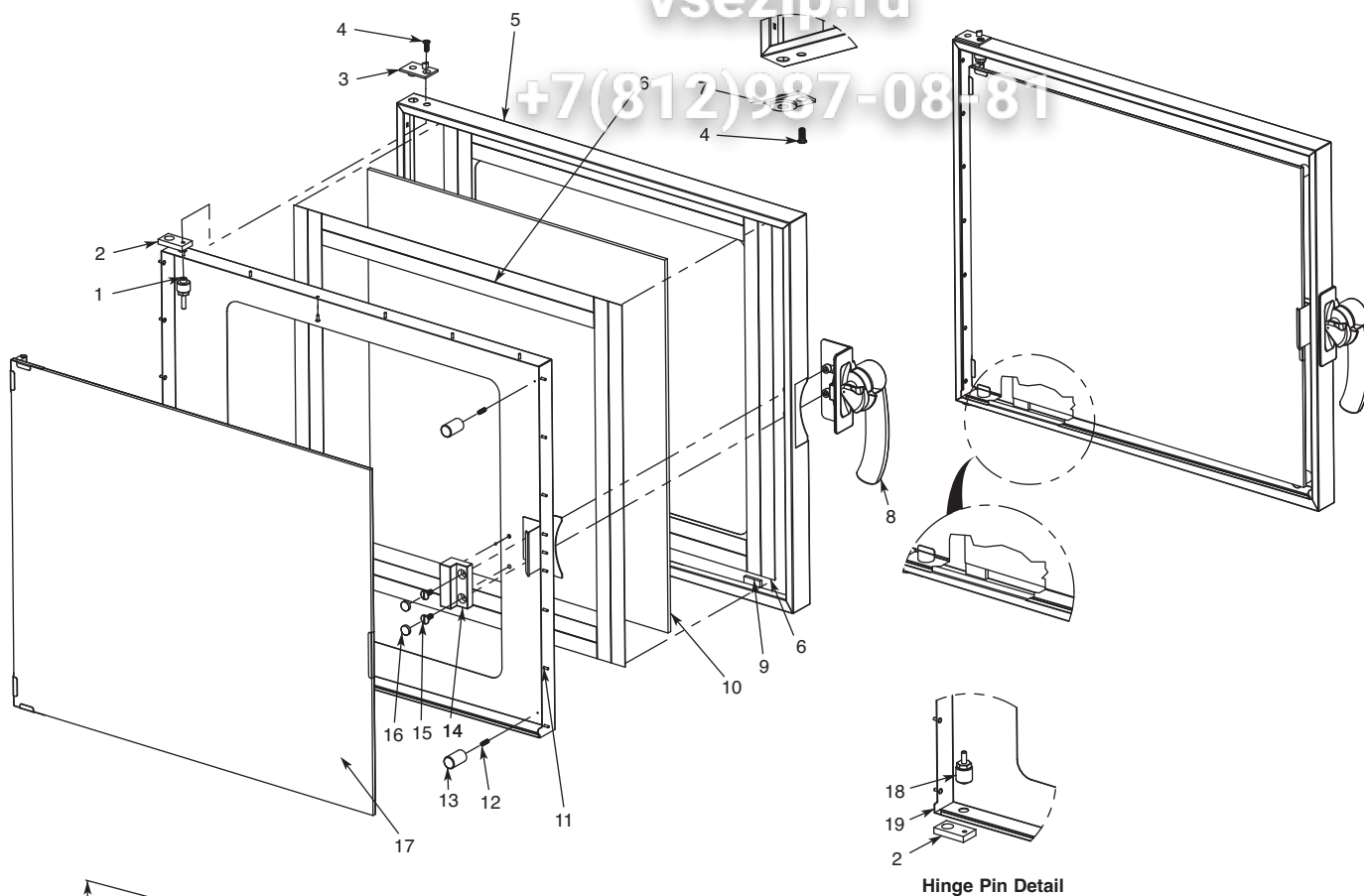
| WEIGHT                             |                      | CAPACITY   |   |
|------------------------------------|----------------------|--|---|
| NET                                | 436 lb (198 kg)      | FULL-SIZE PANS: 20" x 12" x 2-1/2"<br>GN 1/1: 530 x 325 x 65mm<br>GN 2/1: 650 x 530 x 65mm | Fourteen (14)<br>Fourteen (14)<br>Seven (7) |
| SHIP                               | 560 lb (254 kg)      | FULL-SIZE SHEET PANS:* 18" x 26" x 1"<br>ON WIRE SHELVES ONLY                              | Seven (7)<br>Five (5)<br>Six (6)            |
| CRATE                              | 42" x 50" x 46" EST. | 168 lb (76 kg) MAXIMUM   |   |
| DIMENSIONS: (1067 x 1270 x 1168mm) |                      | VOLUME MAXIMUM: 105 QUARTS (133 LITERS)  |   |

\*ADDITIONAL WIRE SHELVES REQUIRED FOR MAXIMUM CAPACITY

## DOOR ASSEMBLY

vsezip.ru

+7(812)987-08481



| Item | Part     | Description   | Qty. |
|------|----------|---|------|
| 1    | PI-26973 | Pin, Upper  | 1    |
| 2    | HG-25078 | Hinge, CT, Anchor, ML Combi                               | 2    |
| 3    | HG-25077 | Hinge, CT, Top Stop, ML Combi                             | 1    |
| 4    | SC-22282 | Screw, CT, 1.0X 16 mm, PH Oval, HD N/S 18-8, DIN # 966A   | 2    |
| 5    | 1005957  | Outer Panel, Door   | 1    |
| 6    | TA-25125 | Tape, Double Sided  | 2    |
| 7    | HG-25079 | Hinge, CT, Upper Ratchet, Combi                           | 1    |
| 8    | HD-26966 | Handle, Door, Right, Combi '06                            | 1    |
| 9    | BM-27116 | Bumper  | 2    |
| 10   | GL-27110 | Glass, Outer Door, 7.14 EP                                | 1    |
| 11   | RI-27108 | Rivet, Sealed   | 22   |
| 12   | SC-25091 | Screw, CT, M5X16, DIN 551, A2 S/S, SLTD Set Screw Flat PT | 2    |
| 13   | BM-27146 | Bumper Stop/Inner Door                                    | 2    |
| 14   | SP-27212 | Spacer, Window Latch                                      | 1    |
| 15   | SC-27125 | Screw, Truss Head, S/S                                    | 2    |
| 16   | PG-24789 | Plug, 15 mm   | 2    |
| 17   | 5005090  | Inner Door, Glass Assembly                                | 1    |
| 18   | PI-26974 | Pin, Lower  | 1    |
| 19   | 5005089  | Inner Door Spot RH  | 1    |
| *    | CL-27854 | Inner Door Latch  | 1    |

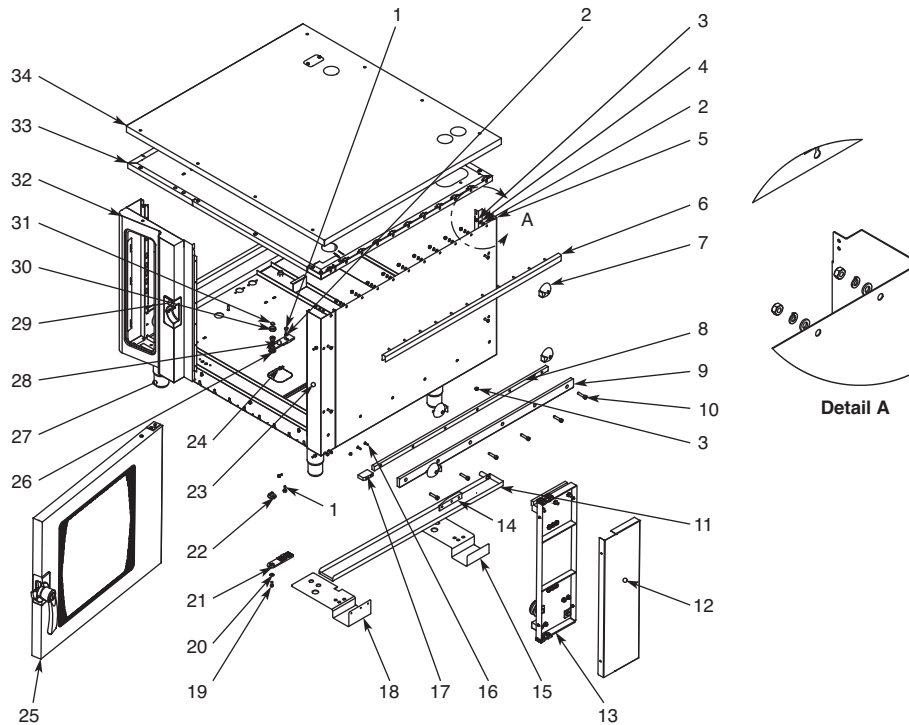
\*Item Not Shown

# PARTS INFORMATION

## РЕЦЕССИВНЫЙ ДВЕРНОЙ АССЕМБЛИ

vsezip.ru

+7(812)987-08-81



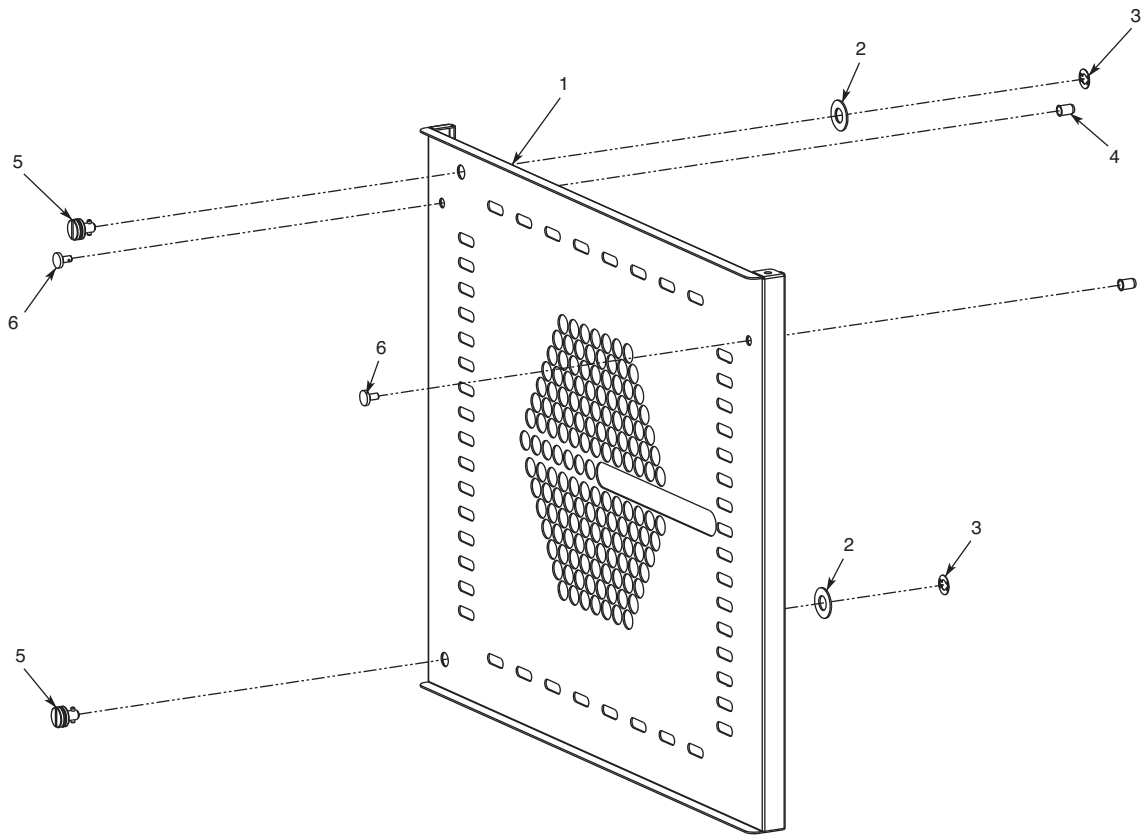
| Item | Part     | Description                    | Qty. |
|------|----------|--------------------------------|------|
| 1    | SC-22924 | M6 x 20 Hex Trim HD            | 2    |
| 2    | WS-22297 | Washer, Flat, M6, DIN 125      | 14   |
| 3    | NU-22291 | M6-1.0 x Hex S/S Nut 18-8      | 12   |
| 4    | WS-22302 | Washer, Lock, M6, DIN 127B     | 12   |
| 5    | 5008015  | Right Side Assembly            | 1    |
| 6    | 5007897  | Channel Assembly               | 1    |
| 7    | BK-27412 | Recessed Door Block            | 4    |
| 8    | RA-28207 | Rail, Top                      | 1    |
| 9    | RA-28208 | Rail, Bottom                   | 1    |
| 10   | SC-24388 | Screw, SHC M8 x 35 S/S         | 6    |
| 11   | 5007893  | Drip Pan Assembly              | 1    |
| 12   | 1008869  | Cover, Trolley                 | 1    |
| 13   | 5008001  | Trolley Assembly               | 1    |
| 14   | BK-22100 | White Teflon, Cart Guide Block | 1    |
| 15   | 1008505  | Rear Bracket, Recessed         | 1    |
| 16   | SC-22281 | Screw, M5 x 16 Flat Head CSink | 2    |
| 17   | BK-28252 | Block, Guide                   | 1    |

| Item | Part     | Description                | Qty. |
|------|----------|----------------------------|------|
| 18   | 1008506  | Front Bracket Recessed     | 1    |
| 19   | SC-22284 | Screw, M6 x 16 Hex S/S HD  | 1    |
| 20   | WS-22298 | Washer, M8, 18-8           | 1    |
| 21   | HG-28040 | Hinge                      | 1    |
| 22   | HG-25101 | Hinge, Lower Ratchet       | 1    |
| 23   | 5008014  | Front Corner Assembly      | 1    |
| 24   | SC-26060 | M5 x 16 Hex Head           | 4    |
| 25   | 5008004  | Door Assembly Recessed     | 1    |
| 26   | WS-25124 | Eccentric Washer           | 1    |
| 27   | LG-26867 | Legs, Combi                | 4    |
| 28   | HG-28041 | Hinge                      | 1    |
| 29   | LT-26968 | Latch, Door, Right         | 1    |
| 30   | WS-25127 | Covering Washer, For Hinge | 1    |
| 31   | PG-25132 | M12, (Black or Natural)    | 1    |
| 32   | PE-27559 | Front Panel Weld Assembly  | 1    |
| 33   | 5005065  | Fill In Cover Assembly     | 1    |
| 34   | 5007895  | Outer Cover Assembly       | 1    |

## DIRECTIONAL PANEL ASSEMBLY

vsezip.ru

+7(812)987-08-81

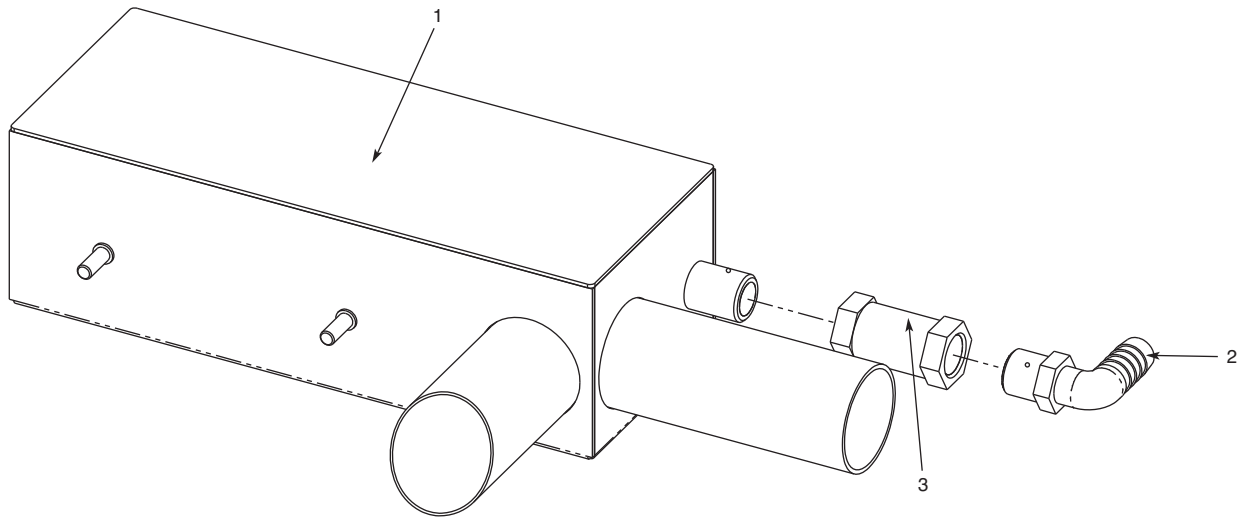
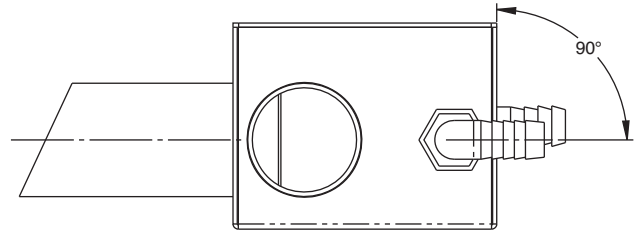


| Item | Part     | Description                              | Qty. |
|------|----------|--|------|
| 1    | 1006361  | Directional Panel, 7.14 l                | 1    |
| 2    | 1006601  | Directional Panel Spacer, 16 GA          | 2    |
| 3    | WS-24090 | Holding (Lock Clip), All Combitherm's ML | 2    |
| 4    | NU-22770 | Nut, Threaded Insert, M6                 | 2    |
| 5    | CL-24089 | Clip, CT, ML, Lock, W/3 Washers          | 2    |
| 6    | SC-22753 | Screw, SS Round, Hanging Rack            | 2    |

**PARTS INFORMATION** **Всё что нужно**  
**PRESSURE BOX ASSEMBLY**

vsezip.ru

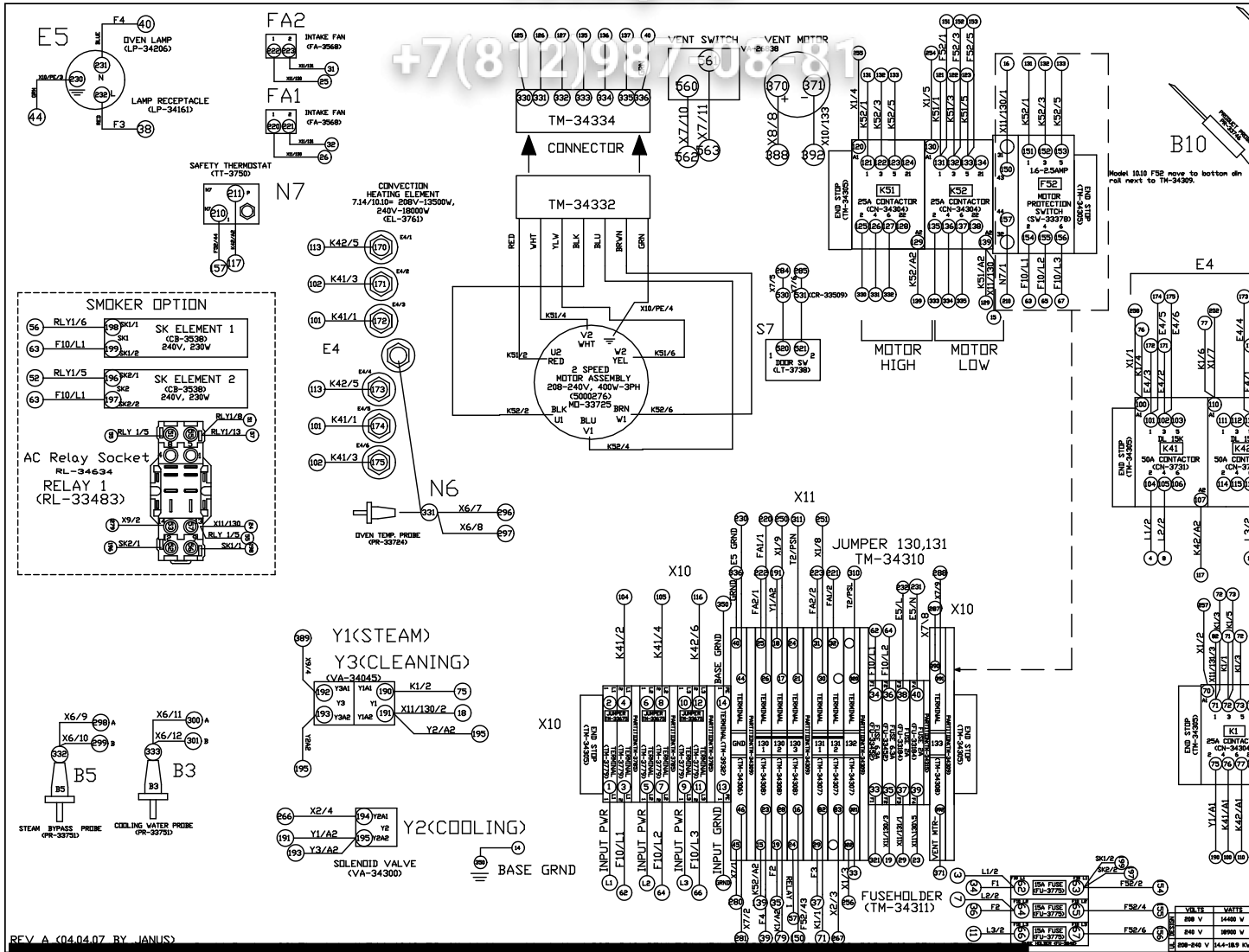
+7(812)987-08-81



| Item | Part     | Description                         | Qty. |
|------|----------|-------------------------------------|------|
| 1    | 5005009  | Pressure Box                        | 1    |
| 2    | EB-25551 | Elbow, Nylon, 1/2" x 3/8"           | 1    |
| 3    | VA-25549 | Valve, 3/8", Flow Control, 0.12 GPM | 1    |



+7(812)987-08-81



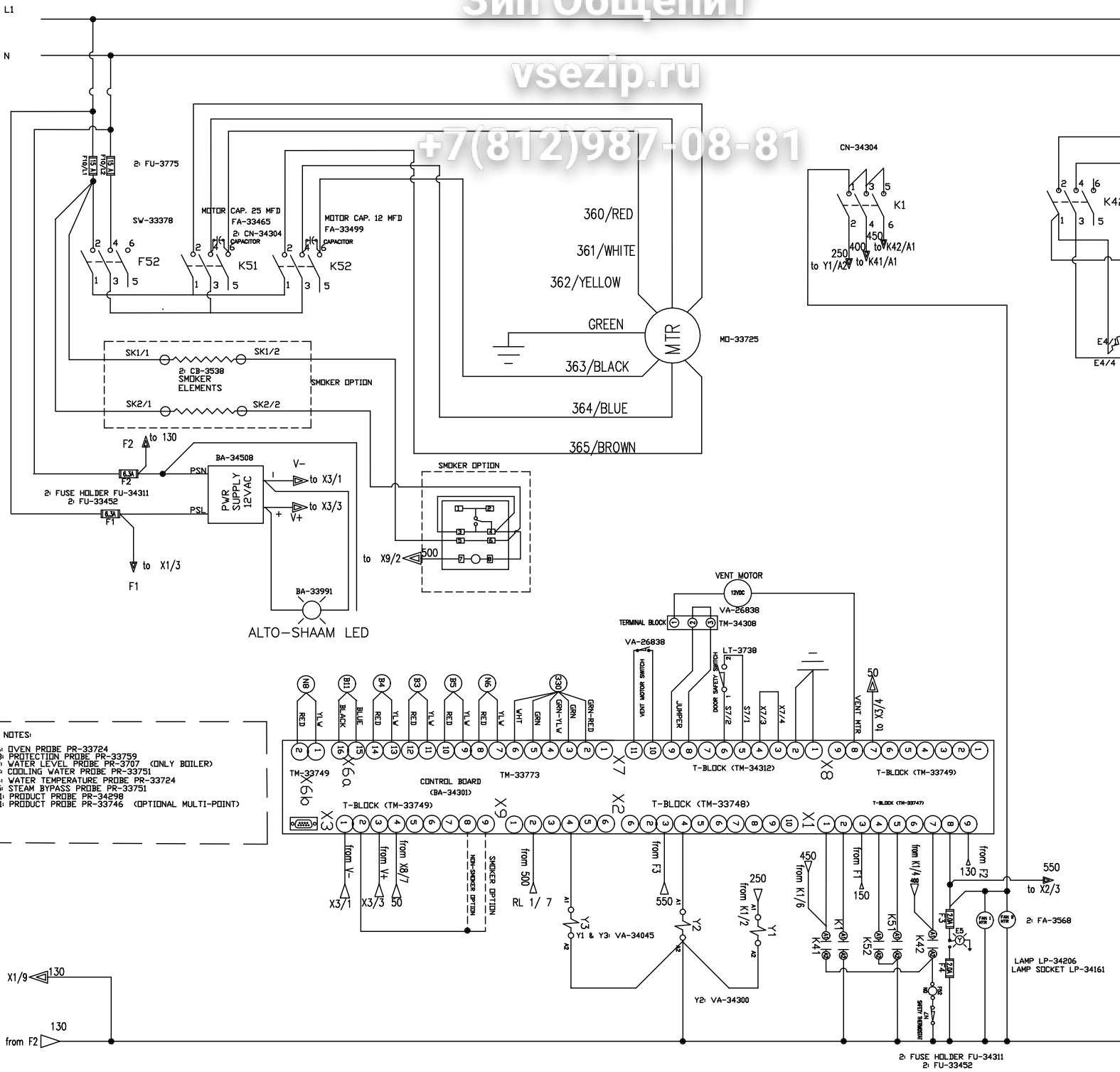
REV A (04.04.07 BY JANUS)

CUTSHEET IN SAME DIRECTORY

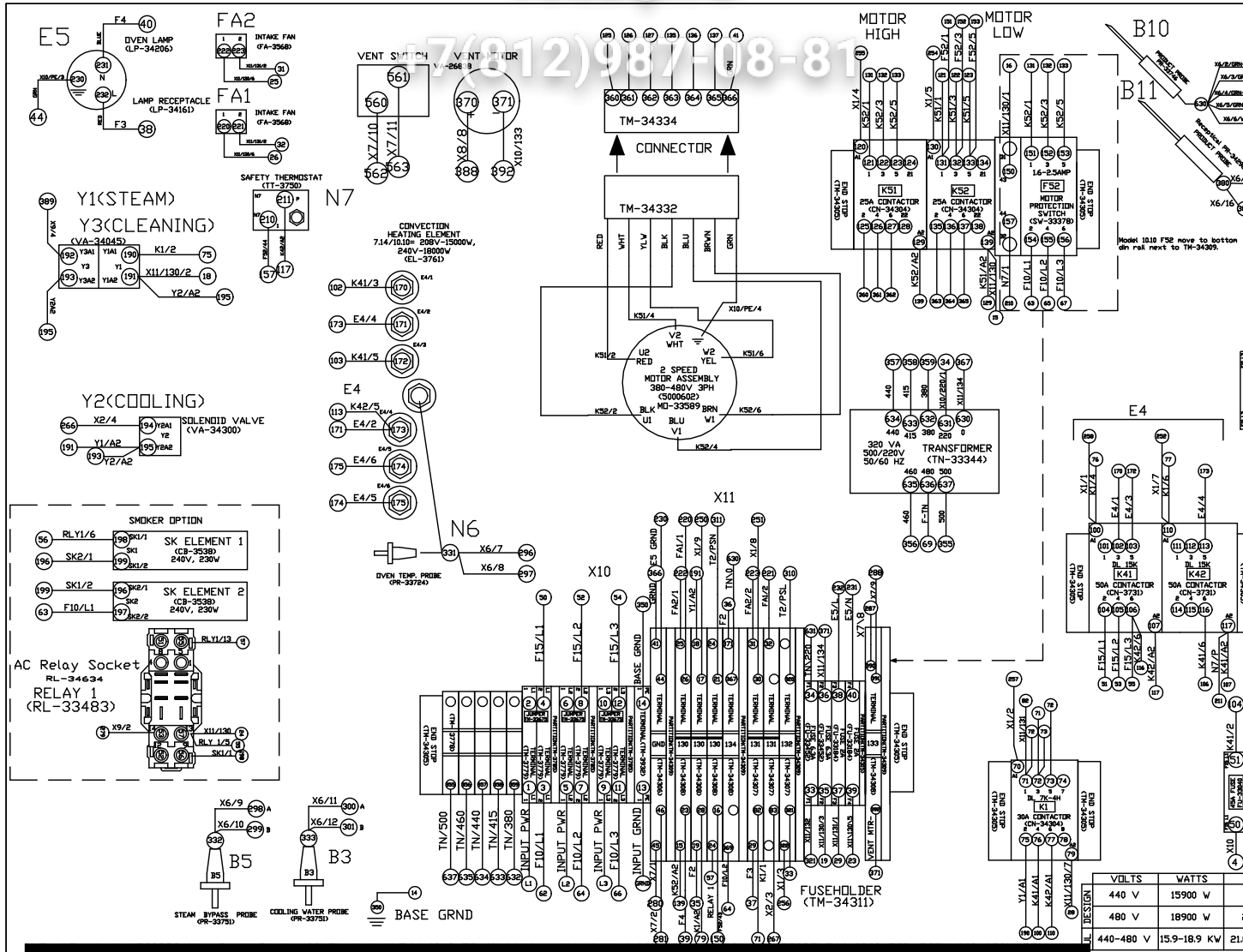
# Зип Ощепит

vsezip.ru

+7(812)987-08-81



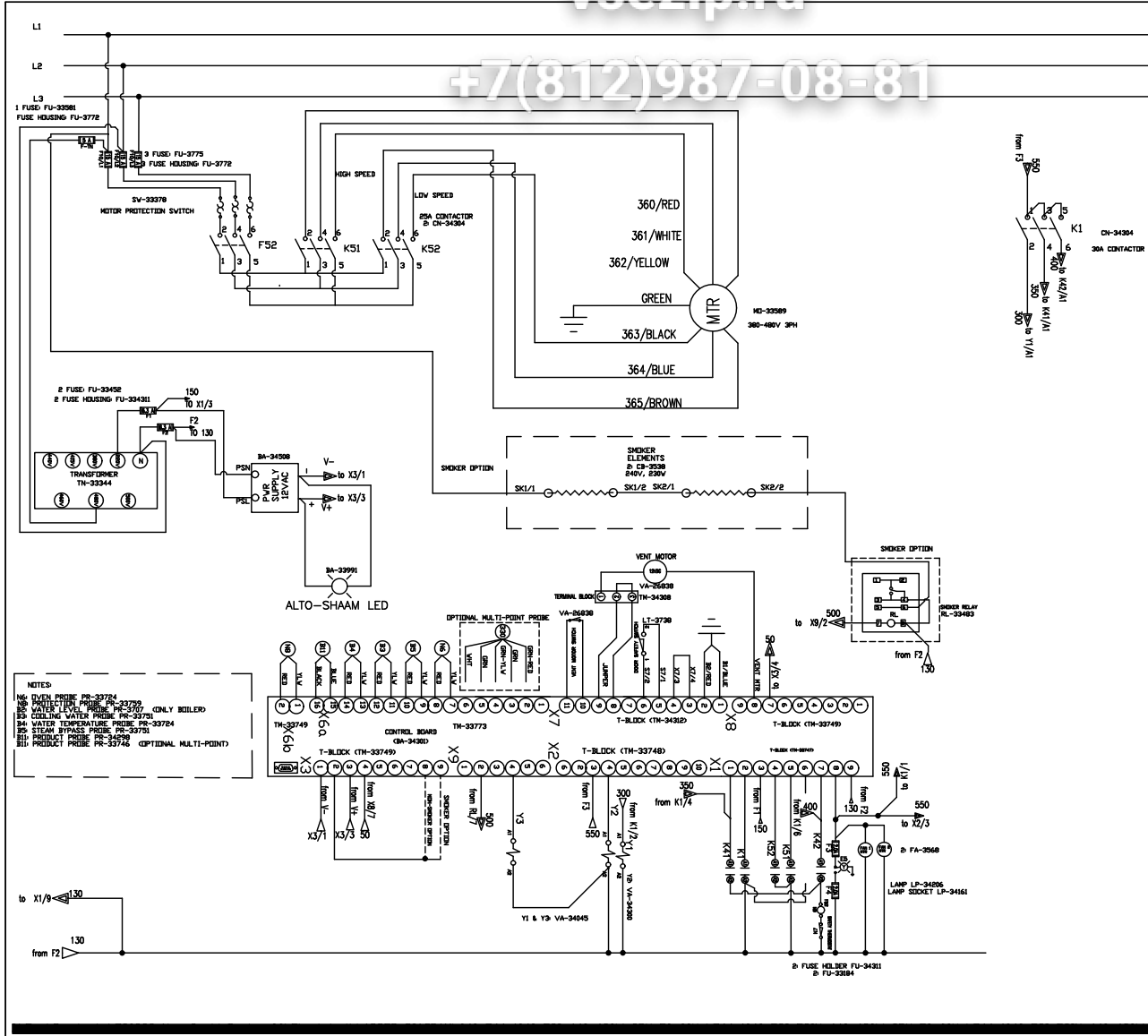
7(812)987-08-81



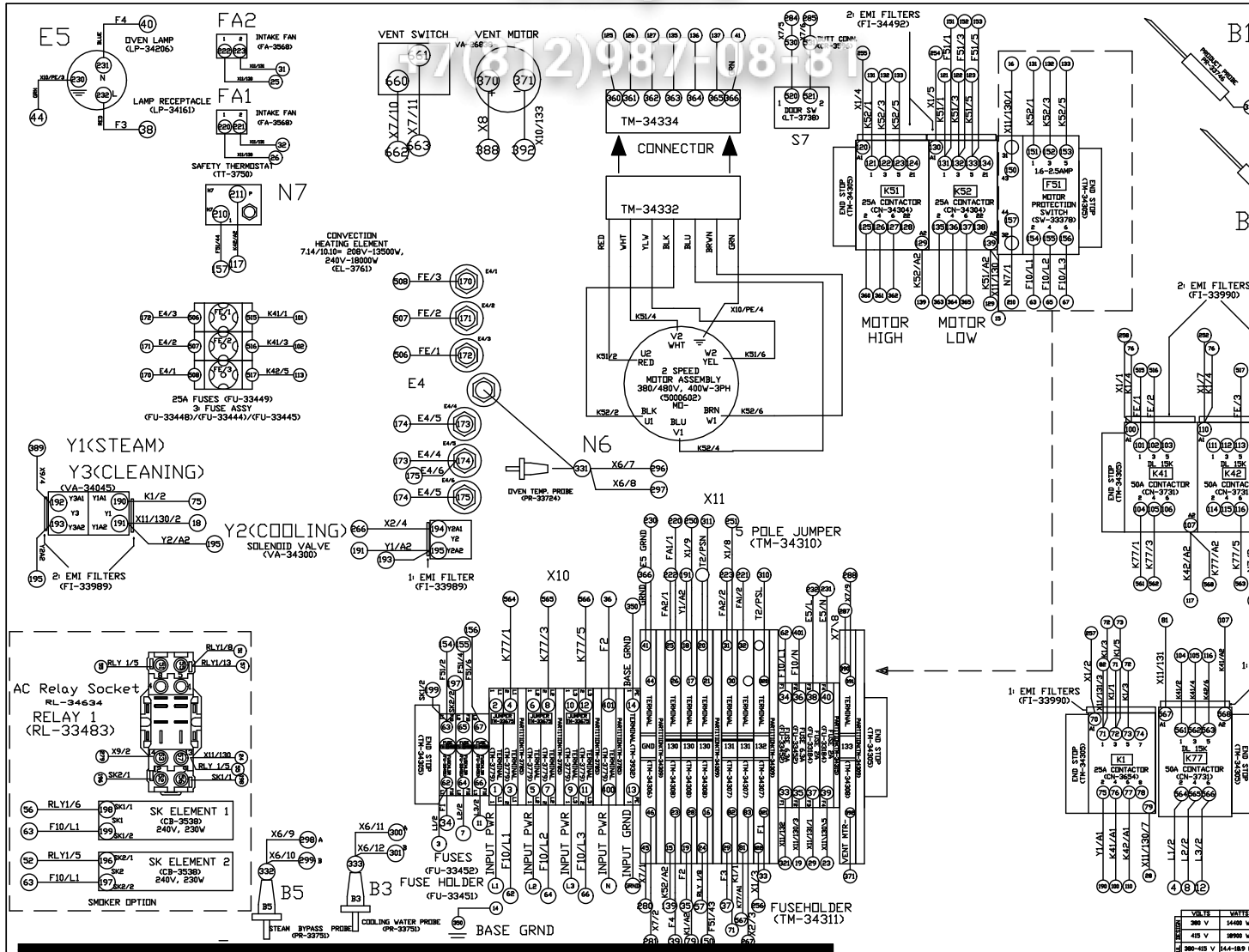
# Зип Цецегит

vsezip.ru

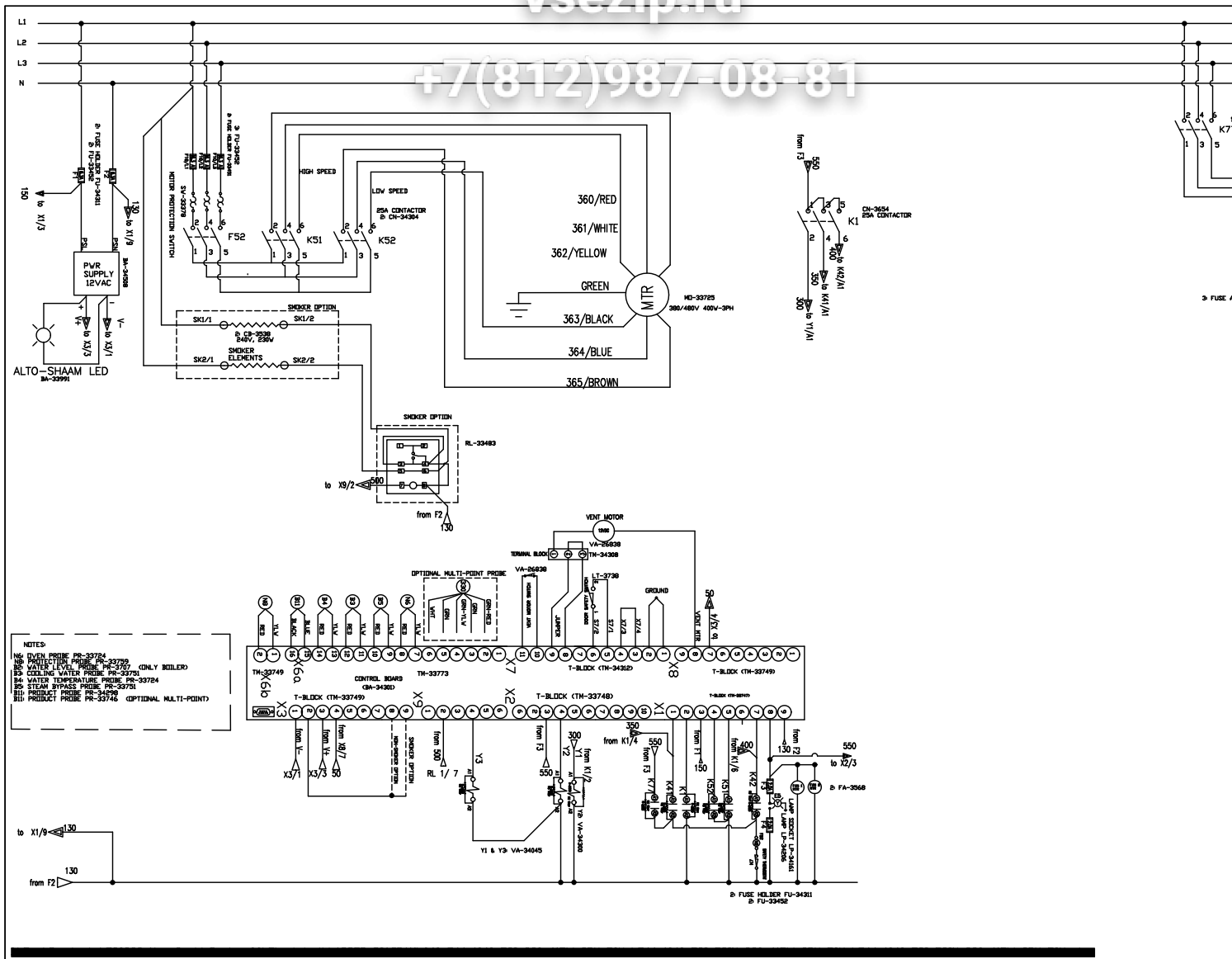
## +7(812)987-08-81

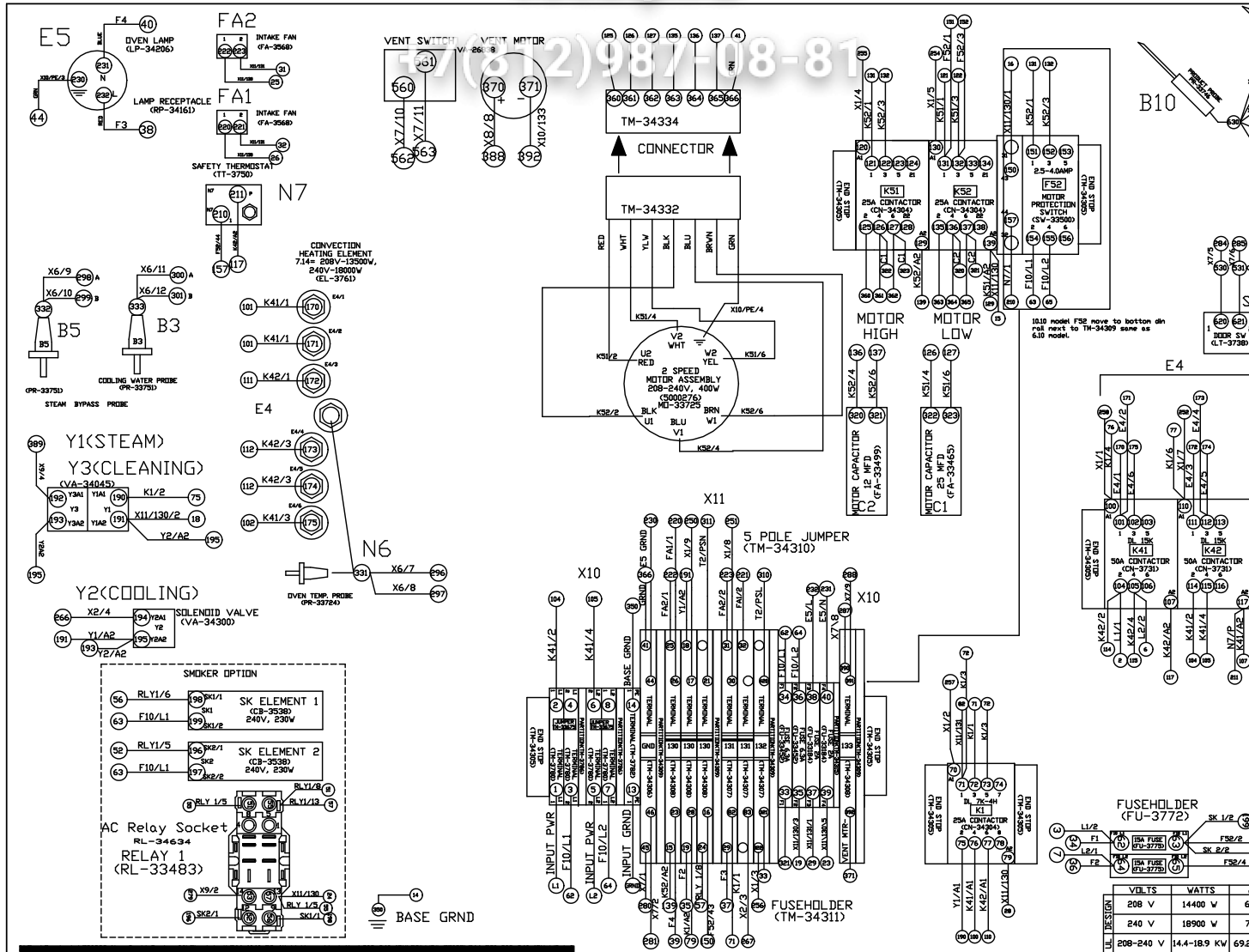


7(812)987-0831



| ВНТ       | ВВТ       |
|-----------|-----------|
| 380 V     | 3440 W    |
| 415 V     | 3910 W    |
| 380-415 V | 344-389 W |

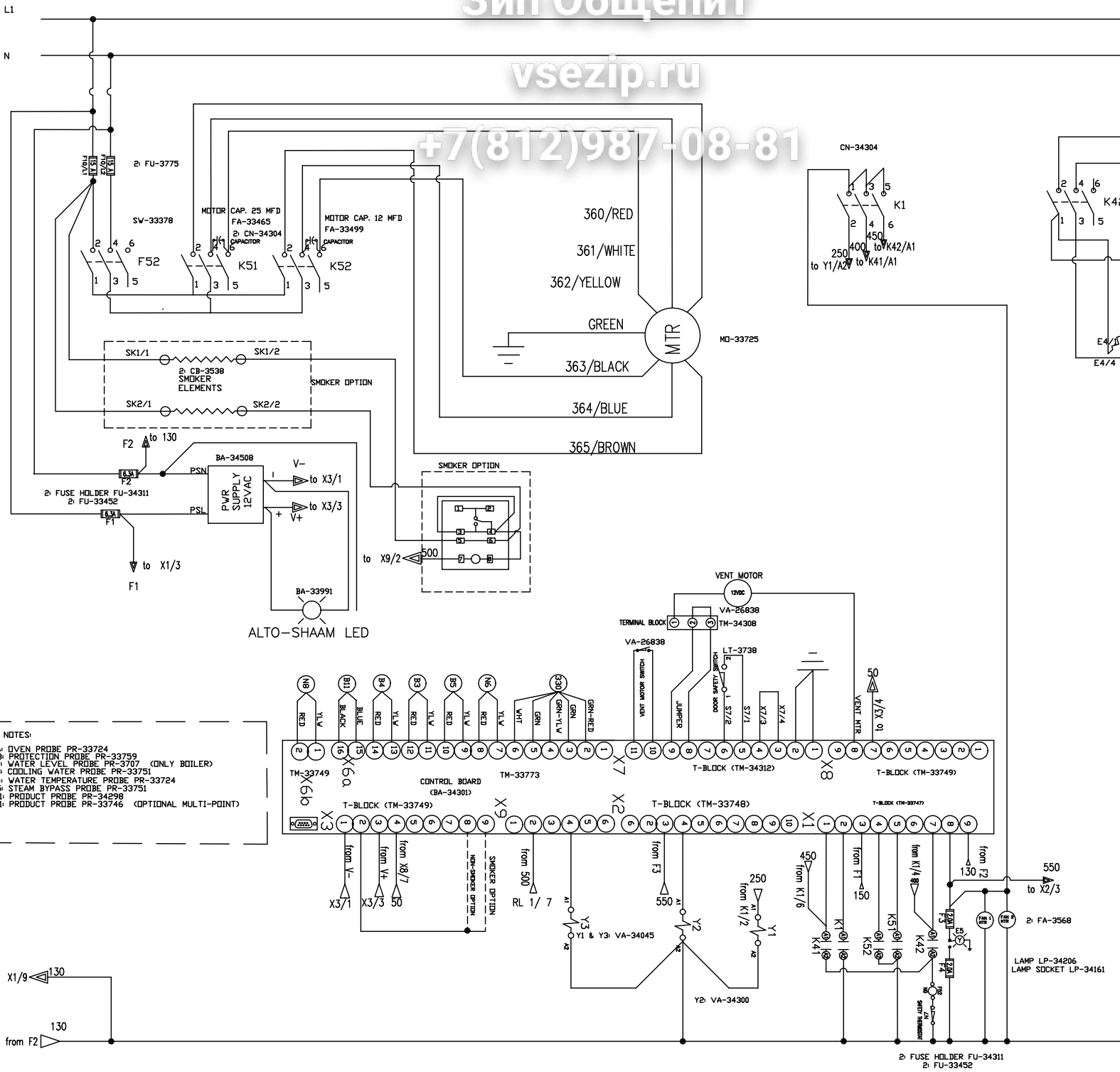




# Зип Ощепит

vsezip.ru

+7(812)987-08-81





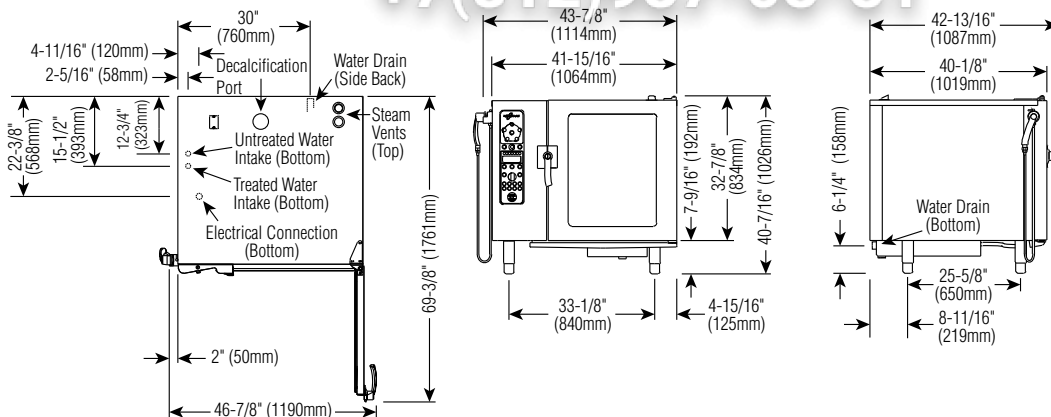
## SECTION CONTENTS

|  |                  |     |
|--|------------------|-----|
| Technical Data.....                    | vsezip.ru        | 218 |
| Parts Information.....                 | +7(812)987-08-81 | 219 |
| Door Assembly.....                     |                  | 219 |
| Recessed Door Assembly .....           |                  | 220 |
| Directional Panel Assembly .....       |                  | 221 |
| Steam Generator Assembly .....         |                  | 222 |
| Wiring and Ladder Diagrams .....       |                  | 223 |
| 208-240V 3PH 50/60 Hz Wiring .....     |                  | 223 |
| 208-240V 3PH 50/60 Hz Ladder.....      |                  | 224 |
| 440-480V 3PH 50/60 Hz Wiring .....     |                  | 225 |
| 440-480V 3PH 50/60 Hz Ladder.....      |                  | 226 |
| 380-415V 3PH 50 Hz Wiring .....        |                  | 227 |
| 380-415V 3PH 50 Hz Ladder .....        |                  | 228 |
| Return to Main Table of Contents ..... |                  | 3   |

## 10•18 ES SPECIFICATIONS



+7(812)987-08-81



|  |   |
|--|---|
| <b>DIMENSIONS: H x W x D</b>           |   |
| <b>EXTERIOR:</b>                       | 40-7/16" x 43-7/8" x 42-13/16" (1026mm x 1114mm x 1087mm) |
| <b>EXTERIOR WITH RETRACTABLE DOOR:</b> | 40-7/16" x 47-7/8" x 42-13/16" (1026mm x 1216mm x 1087mm) |
| <b>INTERIOR:</b>                       | 30-3/4" x 23-1/2" x 28-7/16" (781mm x 596mm x 722mm)      |

**INSTALLATION REQUIREMENTS**  
 Oven must be installed level.  
 Hood installation is required.  
 Water supply shut-off valve and back-flow preventer.

**WATER REQUIREMENTS**  
**TWO (2) COLD WATER INLETS - DRINKING QUALITY**  
 ONE (1) TREATED WATER INLET: 3/4" NPT\*  
 ONE (1) UNTREATED WATER INLET: 3/4" NPT\*  
 LINE PRESSURE: 30 to 90 psi 2.8 to 6.2 bar  
**WATER DRAIN: 1-1/2" CONNECTION WITH AIR GAP**  
 \* Can manifold off of one 3/4" line.

**WATER QUALITY MINIMUM STANDARDS**  
 USING A WATER SUPPLY NOT MEETING ALTO-SHAAM'S MINIMUM WATER QUALITY STANDARDS WILL VOID THIS WARRANTY. It is the responsibility of the purchaser to ensure that incoming water supply is compliant with the specifications listed through adequate treatment measures. Installation of the CombiGuard™ Water Filtration System is recommended, but this system may not address all water quality issues present.

| Contaminant                  | Inlet Water Requirements (untreated water) |
|------------------------------|--|
| Free Chlorine                | Less than 0.1 ppm (mg/L)                   |
| Hardness                     | Less than 3 gpg (52 ppm)                   |
| Chloride                     | Less than 30 ppm (mg/L)                    |
| pH                           | 7.0 to 8.5                                 |
| Alkalinity                   | Less than 50 ppm (mg/L)                    |
| Silica                       | Less than 12 ppm (mg/L)                    |
| Total Dissolved Solids (tds) | Less than 60 ppm                           |

**CLEARANCE REQUIREMENTS**  
**LEFT:** 6" (152mm) PLUS SERVICE ACCESS: 18" (457mm) RECOMMENDED  
**20" (508mm) FROM HEAT PRODUCING EQUIPMENT**  
**RIGHT:** 4" (102mm) **TOP:** 20" (508mm) FOR AIR MOVEMENT  
**BACK:** 4" (102mm) **BOTTOM:** 5-1/8" (130mm) FOR LEGS  
 COUNTER-TOP INSTALLATIONS MUST MAINTAIN 4" (102mm) MINIMUM CLEARANCE FROM COUNTER SURFACE.

**ELECTRICAL**

|         | VOLTAGE | PHASE | CYCLE/HZ | AWG                | AMPS    | kW   |
|---------|---------|-------|----------|--------------------|---------|------|
| 208-240 | at 208  | 3     | 50/60    | 3 Wire plus ground | 61.3/ph | 22.0 |
|         | at 240  |       |          | AWG 2              | 70.0/ph | 29.2 |
| 380-415 | at 380  | 3     | 50/60    | 4 Wire plus ground | 33.5/ph | 22.0 |
|         | at 415  |       |          | AWG 6              | 40.7/ph | 29.2 |
| 440-480 | at 440  | 3*    | 50/60    | 3 Wire plus ground | 36.0/ph | 27.2 |
|         | at 480  |       |          | AWG 6              | 43.5/ph | 36.1 |

\* ELECTRICAL SERVICE CHARGE APPLIES

| <b>WEIGHT</b>                      |                      | <b>CAPACITY</b>                         |                    |
|------------------------------------|----------------------|---|--------------------|
| NET                                | 522 lb (237 kg)      | FULL-SIZE PANS:                         | 20" x 12" x 2-1/2" |
|                                    |                      | GN 1/1:                                 | 530 x 325 x 65mm   |
| SHIP                               | 646 lb (293 kg)      | GN 2/1:                                 | 650 x 530 x 65mm   |
|                                    |                      | FULL-SIZE SHEET PANS:*                  | 18" x 26" x 1"     |
| CRATE                              | 46" x 51" x 46" EST. | ON WIRE SHELVES ONLY                    |                    |
| DIMENSIONS: (1168 x 1295 x 1168mm) |                      | 240 lb (109 kg) MAXIMUM                 |                    |
|                                    |                      | VOLUME MAXIMUM: 150 QUARTS (190 LITERS) |                    |

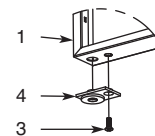
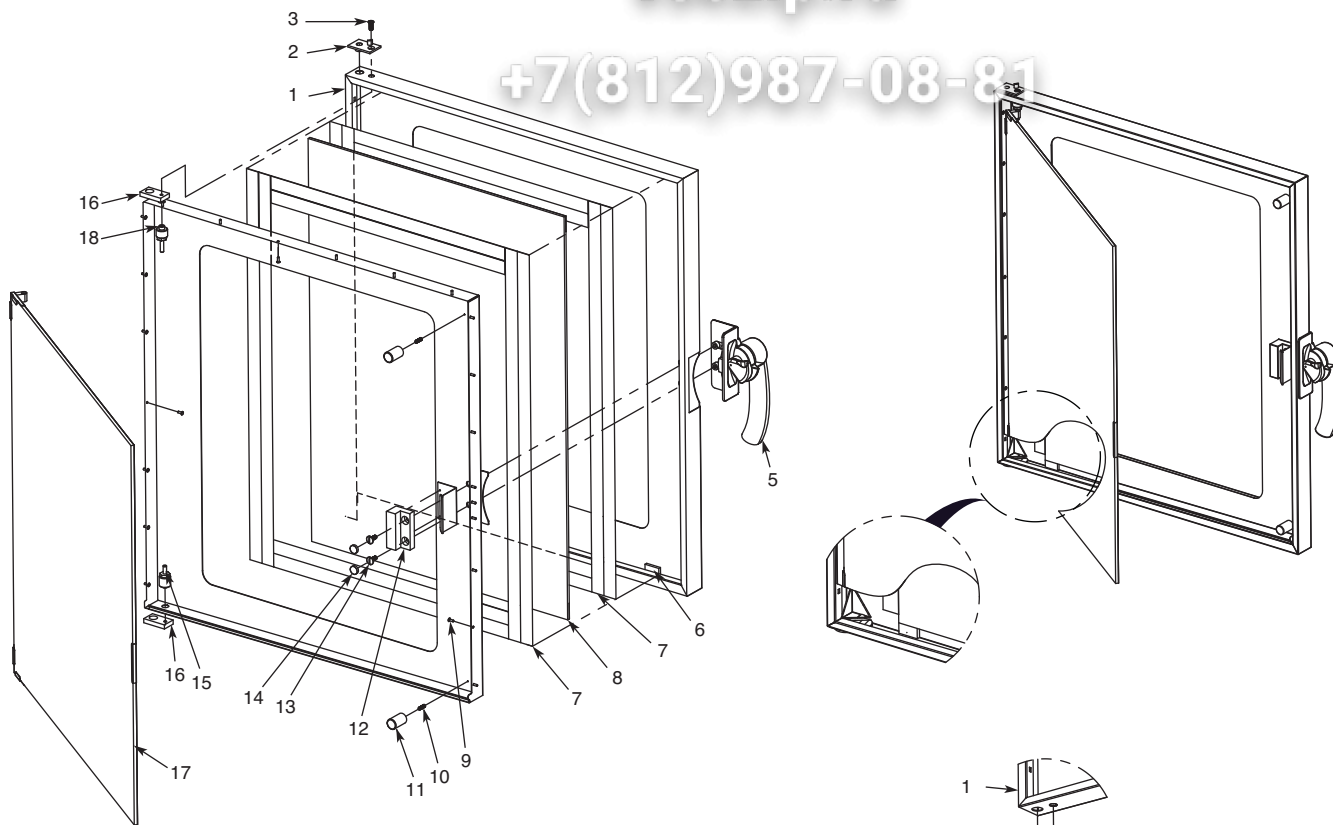
\* ADDITIONAL WIRE SHELVES REQUIRED FOR MAXIMUM CAPACITY

ELECTRIC COMBITHERM — INSTALLATION MANUAL #7001

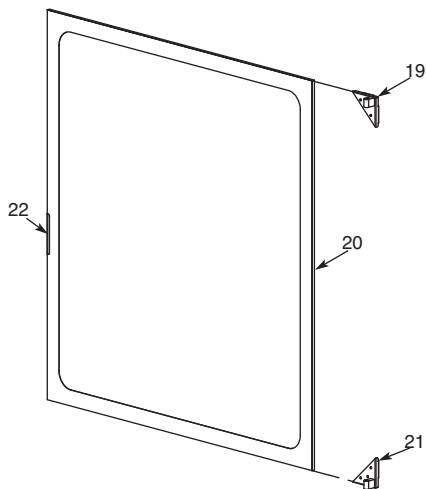
## DOOR ASSEMBLY

vsezip.ru

+7(812)987-08-81



Hinge Detail



| Item | Part     | Description   | Qty. |
|------|----------|---|------|
| 1    | 1006880  | Outer Panel, Door 10.10                                     | 1    |
| 2    | HG-25077 | Hinge, CT, Top Stop, ML Combi                               | 1    |
| 3    | SC-22282 | Screw, CT, 1.0 x 16 mm, Ph Oval, Hd N/S 18-8, DIN #966A     | 2    |
| 4    | HG-25079 | Hinge, CT, Upper Ratchet, Combi                             | 1    |
| 5    | HD-26966 | Handle, Door, Right, Combi '06                              | 1    |
| 6    | BM-27116 | Bumper  | 2    |
| 7    | TA-25125 | Tape, Double Sided  | 2    |
| 8    | GL-27224 | Glass, Outer Door, 10.10/10.18ep                            | 1    |
| 9    | RI-27108 | Rivet, Sealed   | 22   |
| 10   | SC-25091 | Screw, CT, M5 x 16, DIN 551, A2 S/S, Sltd Set Screw Flat Pt | 2    |
| 11   | BM-27146 | Bumper Stop/Inner Door                                      | 2    |
| 12   | SP-27212 | Spacer, Window Latch  | 1    |
| 13   | SC-27125 | Screw, Truss Head, S/S                                      | 2    |
| 14   | PG-24789 | Plug, 15 mm   | 2    |
| 15   | PI-26974 | Pin, Lower  | 1    |
| 16   | HG-25078 | Hinge, CT, Anchor, ML Combis                                | 2    |
| 17   | 5005560  | Inner Door Glass Assembly                                   | 1    |
| 18   | PI-26973 | Pin, Upper  | 1    |
| 19   | HG-27217 | Lower Hinge Assembly  | 1    |
| 20   | GL-27225 | Glass, Inner  | 1    |
| 21   | HG-27218 | Upper Hinge Assembly  | 1    |
| 22   | LT-25394 | Latch, CT, ML, 7.1 ML                                       | 1    |

**PARTS INFORMATION** **ВсёzipОбщепит**  
**RECESSED DOOR ASSEMBLY**

**vsezip.ru**

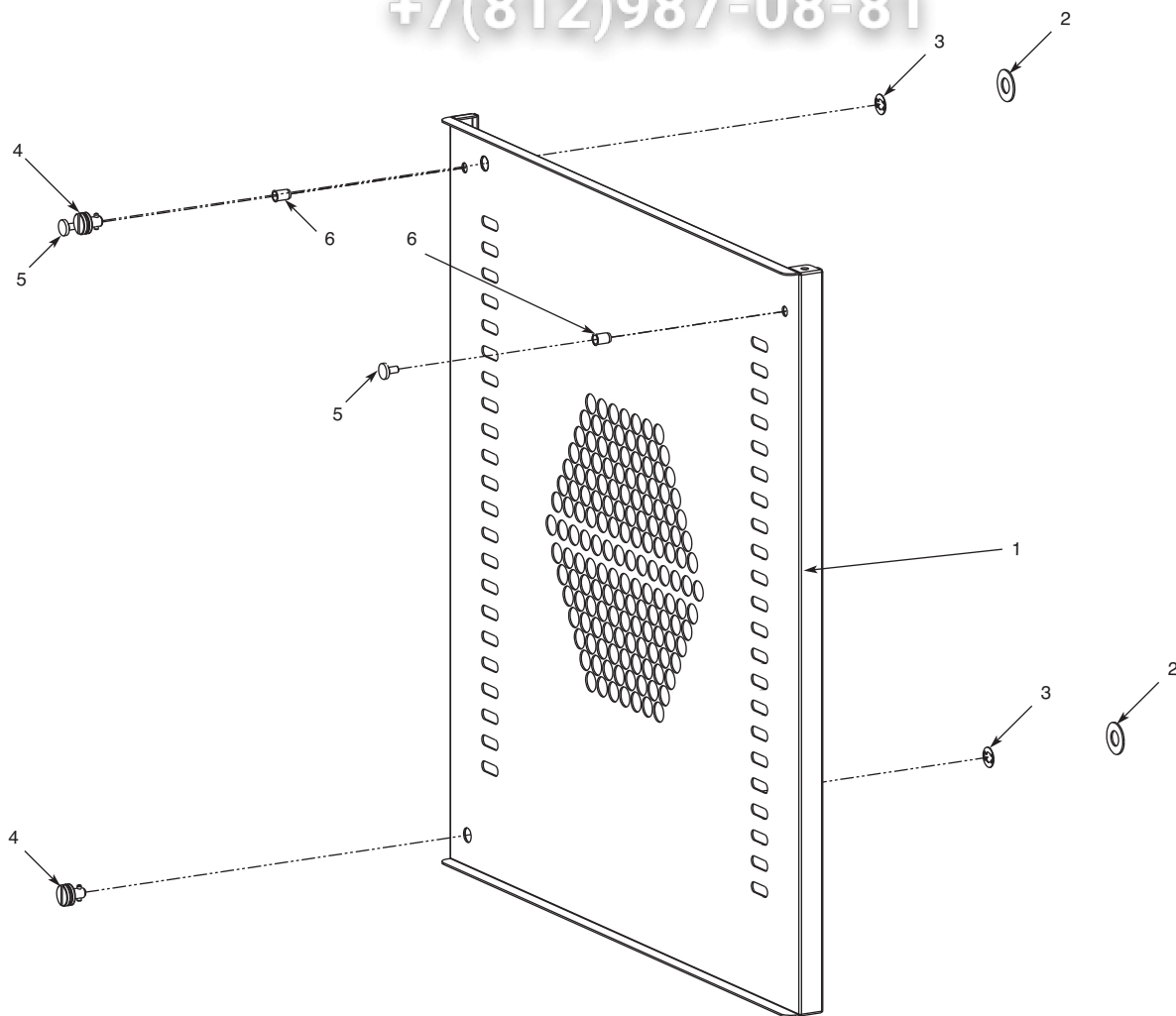
**+7(812)987-08-81**

**(Contact factory.)**

## DIRECTIONAL PANEL ASSEMBLY

vsezip.ru

+7(812)987-08-81



| Item | Part     | Description                     | Qty. |
|------|----------|---------------------------------|------|
| 1    | 10066165 | Directional Panel, 10.18 EP     | 1    |
| 2    | 1006601  | Directional Panel Spacer, 16 GA | 2    |
| 3    | WS-24090 | Holding (Lock Clip)             | 2    |
| 4    | CL-24089 | Clip, CT, ML, Lock, W/3 Washers | 2    |
| 5    | SC-22753 | Screw, SS Round, Hanging Rack   | 2    |
| 6    | NU-22770 | Nut, Threaded Insert, M6        | 2    |

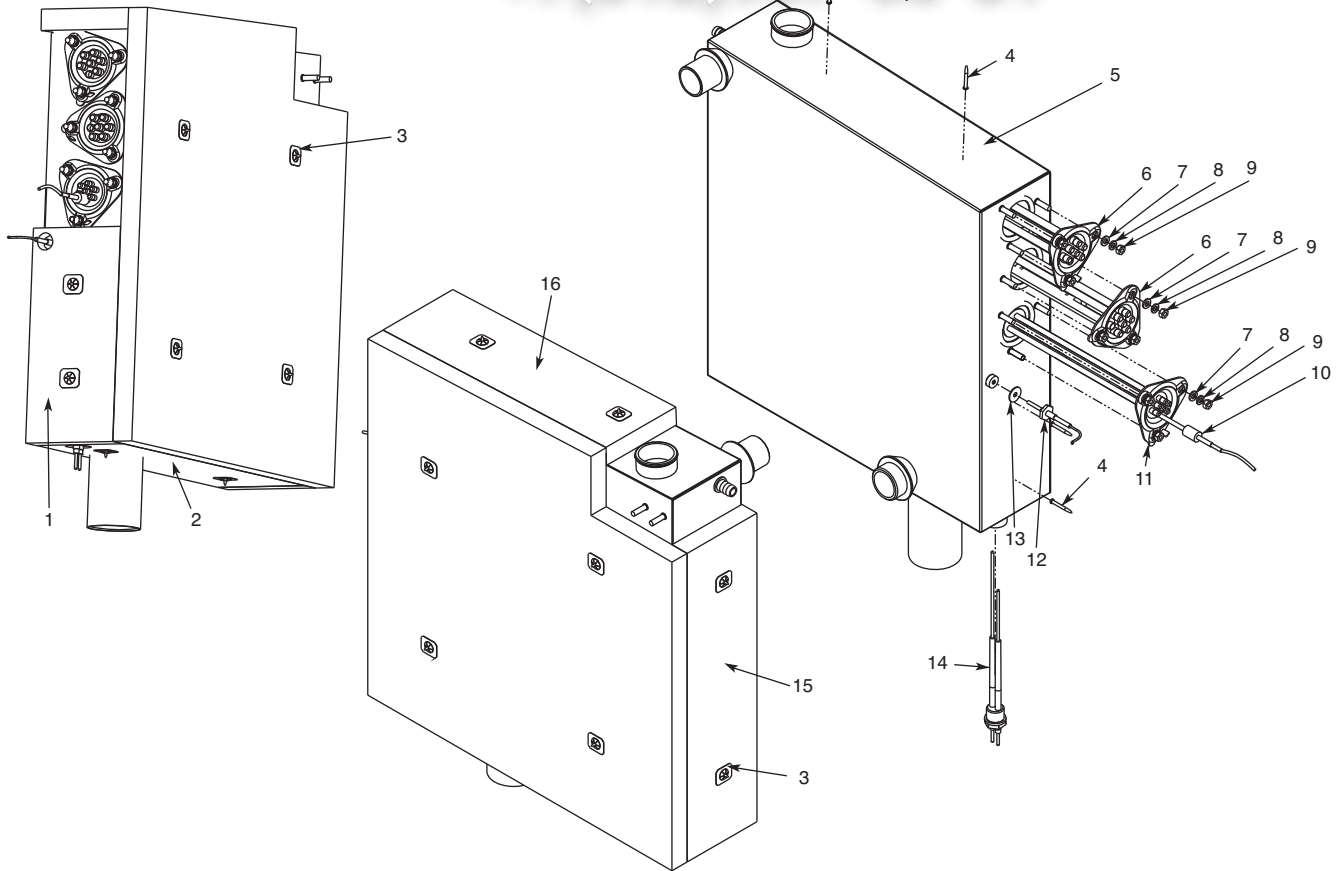
# PARTS INFORMATION

## Общепит

### STEAM GENERATOR ASSEMBLY

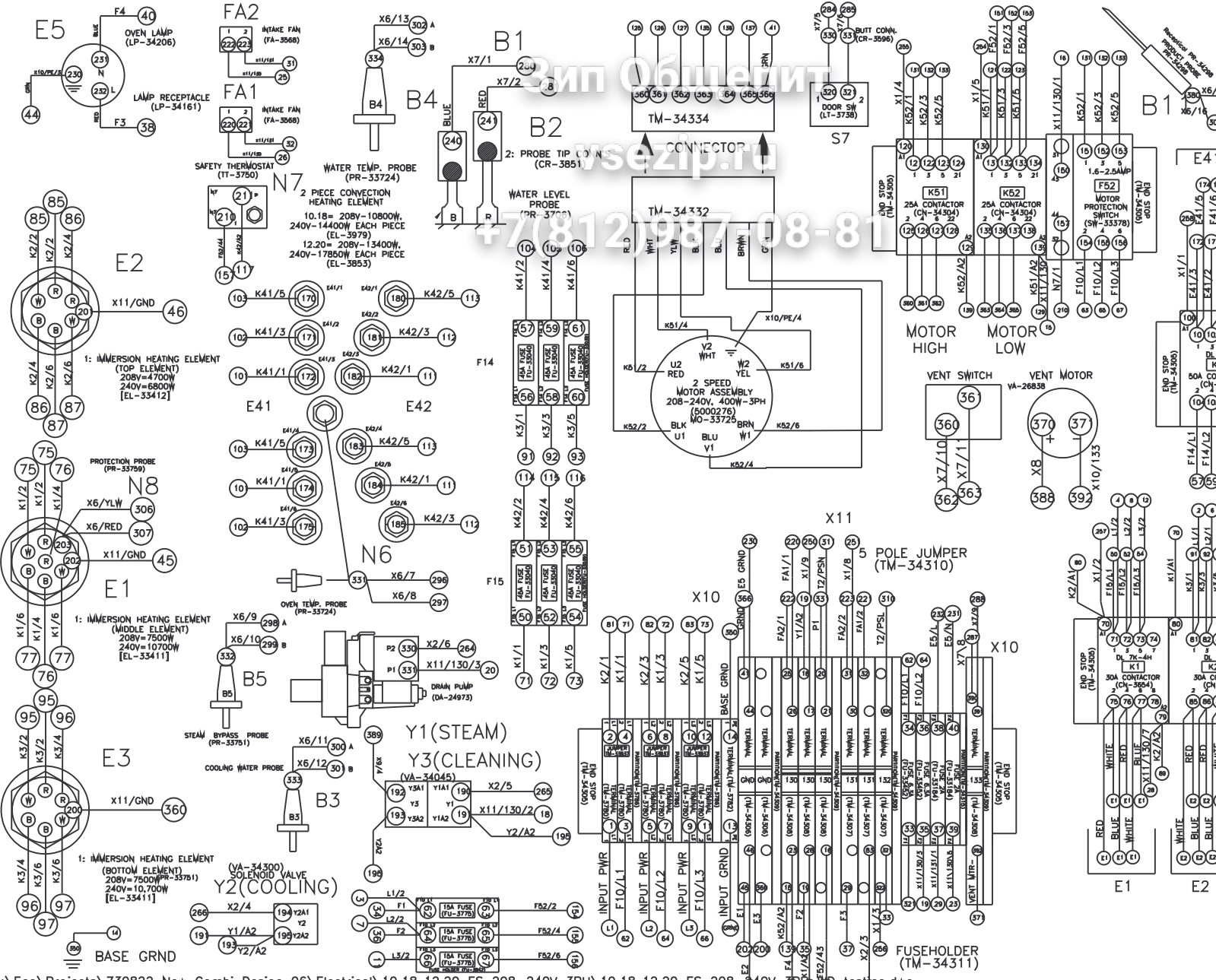
vsezip.ru

+7(812)987-08-81



| Item | Part     | Description   | Qty. |
|------|----------|---|------|
| 1    | IN-27374 | Insulation, Steam Gen, Heater Side                  | 1    |
| 2    | IN-27472 | Insulation, Steam Gen, Top                          | 1    |
| 3    | CL-22259 | Insulation Spike Clip                               | 12   |
| 4    | ST-22258 | Insulation Spike                                    | 12   |
| 5    | 5004947  | Generator Weld, 10.18                               | 1    |
| 6    | EL-33411 | CT, Heater, ML, Combi Immersion, 9 kw, Flanged      | 2    |
| 7    | WS-22297 | Washer, Flat, M6 DIN 125                            | 9    |
| 8    | WS-22302 | Washer, Lock, M6, DIN 127B                          | 9    |
| 9    | NU-22291 | M6-1.0 x Hex S/S Nut 18-8                           | 9    |
| 10   | PR-33759 | CT, ML, Combi, Temperature Sensor                   | 1    |
| 11   | EL-33412 | CT, Heater, ML, Combi Immersion, 6 kw, Flanged      | 1    |
| 12   | PR-33724 | CT, ML Combi, Thermocouple, 1650 mm Wire Length     | 1    |
| 13   | SA-25061 | CT, T-Couple Probe, ML Combi                        | 1    |
| 14   | PR-3706  | CT, Water Lev. Lg 3/4" NPT Fitting, 316 S/S Electr. | 1    |
| 15   | IN-27375 | Insulation, Steam Gen                               | 1    |
| 16   | IN-27473 | Insulation, Steam Gen, Bottom                       | 1    |
| *    | IN-27373 | Insulation, Steam Gen, Back                         | 1    |
| *    | SA-23932 | O-Ring, 14 mm x 2.5 mm Viton                        | 3    |
| *    | PR-33759 | Temperature Sensor CT                               | 1    |

\*Item Not Shown

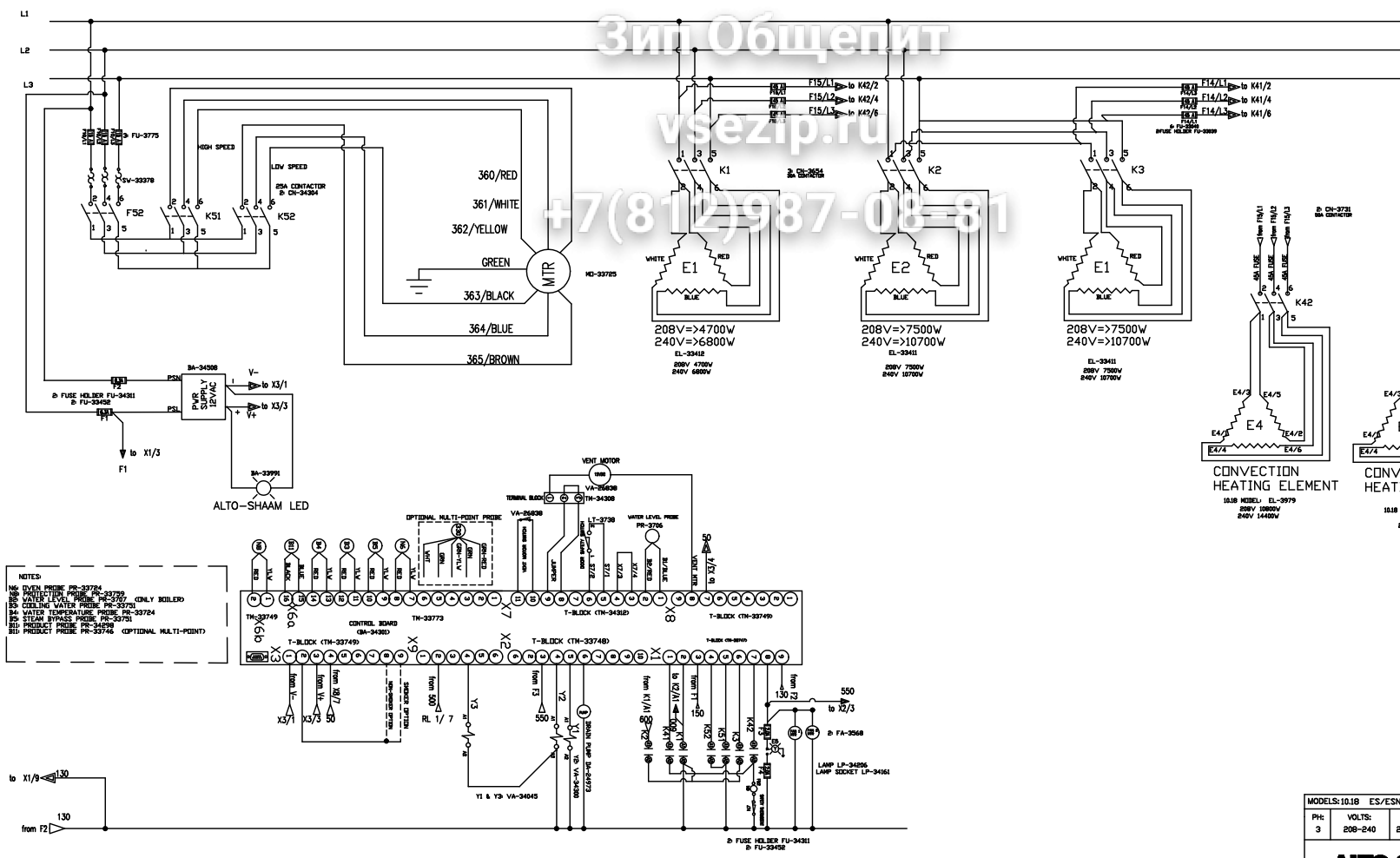


I:\Eng\Projects\730822 New Combi Design 06\Electrical\10.18.12.20 ES 208-240V 3PH\10.18.12.20 ES 208-240V 3PH.dwg test.dwg  
 CUTSHEET IN SAME DIRECTORY

Зип Общепит

vsezip.ru

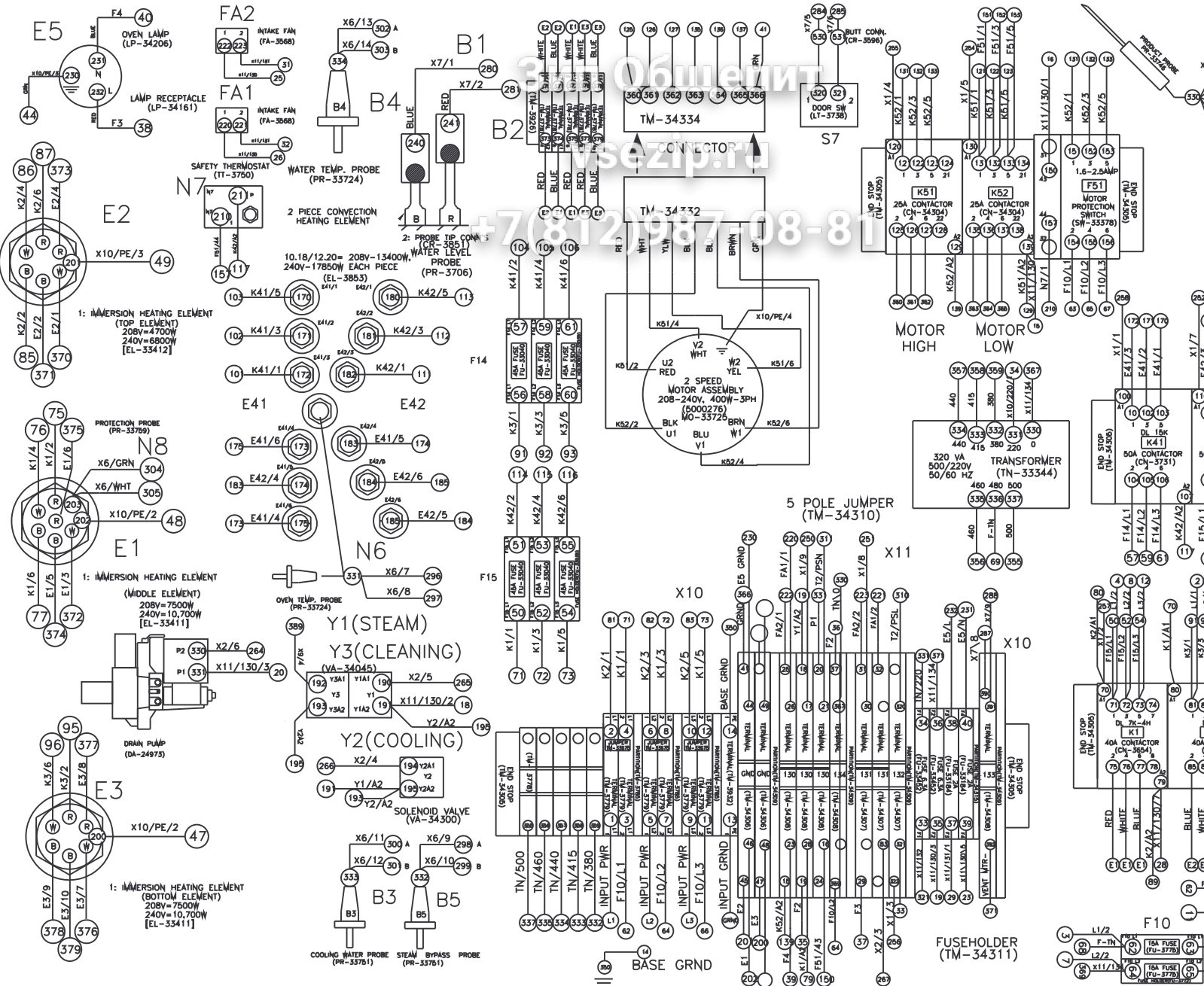
+7(812)987-08-81



NOTES:  
N1 OVEN PROBE PR-32724  
N2 CONTROL VALVE PROBE PR-32725  
N3 COILING WATER PROBE PR-32726  
N4 WATER TEMPERATURE PROBE PR-32724  
N5 STEAM BYPASS PROBE PR-32723  
N6 PRODUCT PROBE PR-34296  
N7 PRODUCT PROBE PR-32746 OPTIONAL MULTI-POINT

|         |              |        |
|---------|--------------|--------|
| MODELS: | 1018         | ES/ESN |
| Ph:     | 3            | VOLTS: |
| By: MVQ | 208-240      | 220    |
| APP:    | SCALE:       |        |
|         | DATE: 8/7/07 |        |



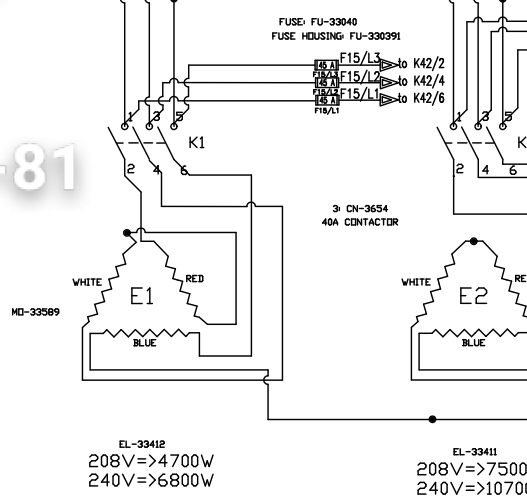
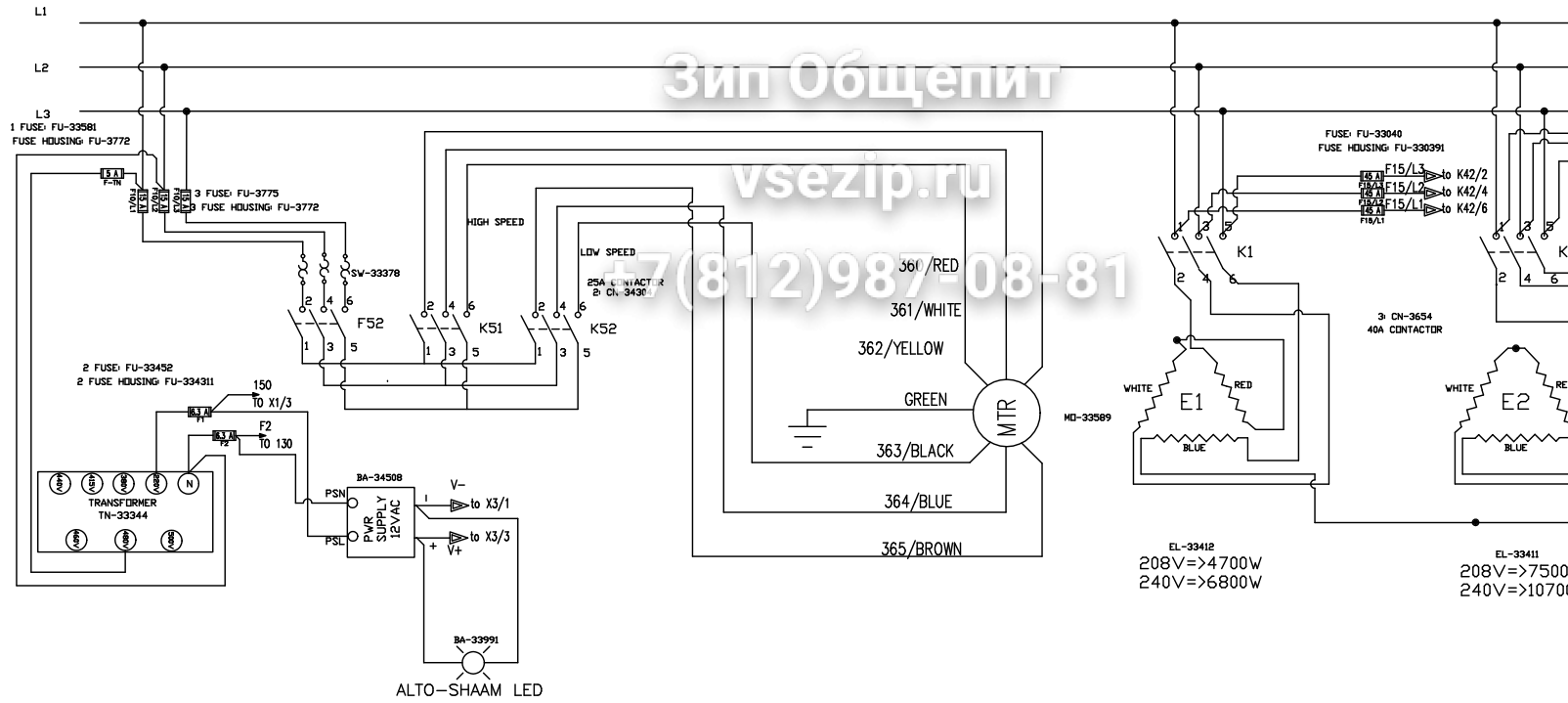


Общедоступно  
[www.sezip.ru](http://www.sezip.ru)  
 7812198708-81

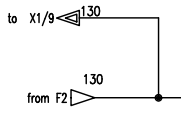
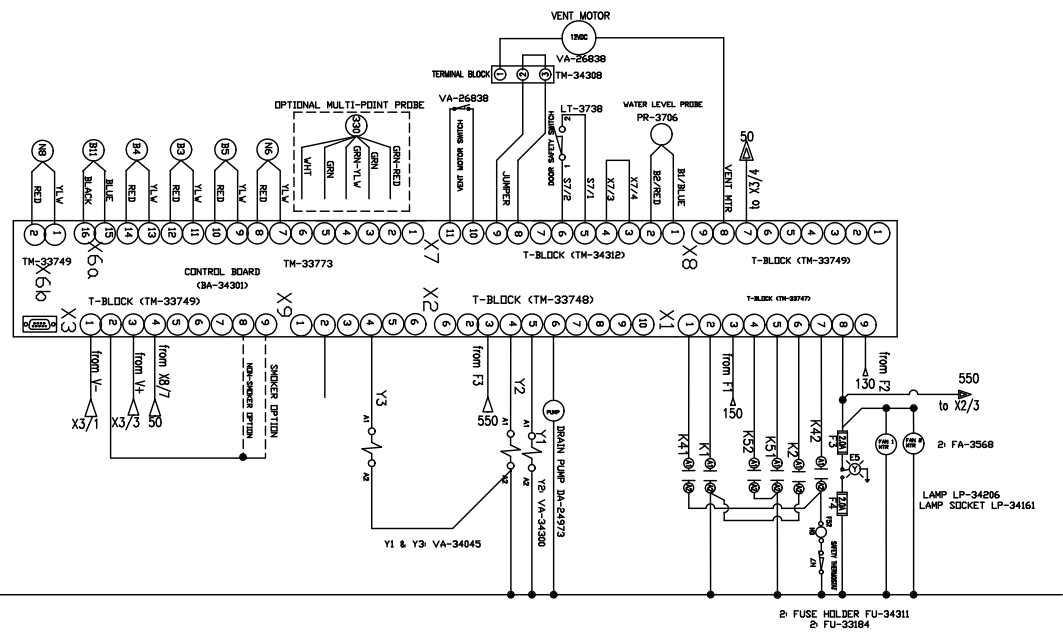
# Зип Общепит

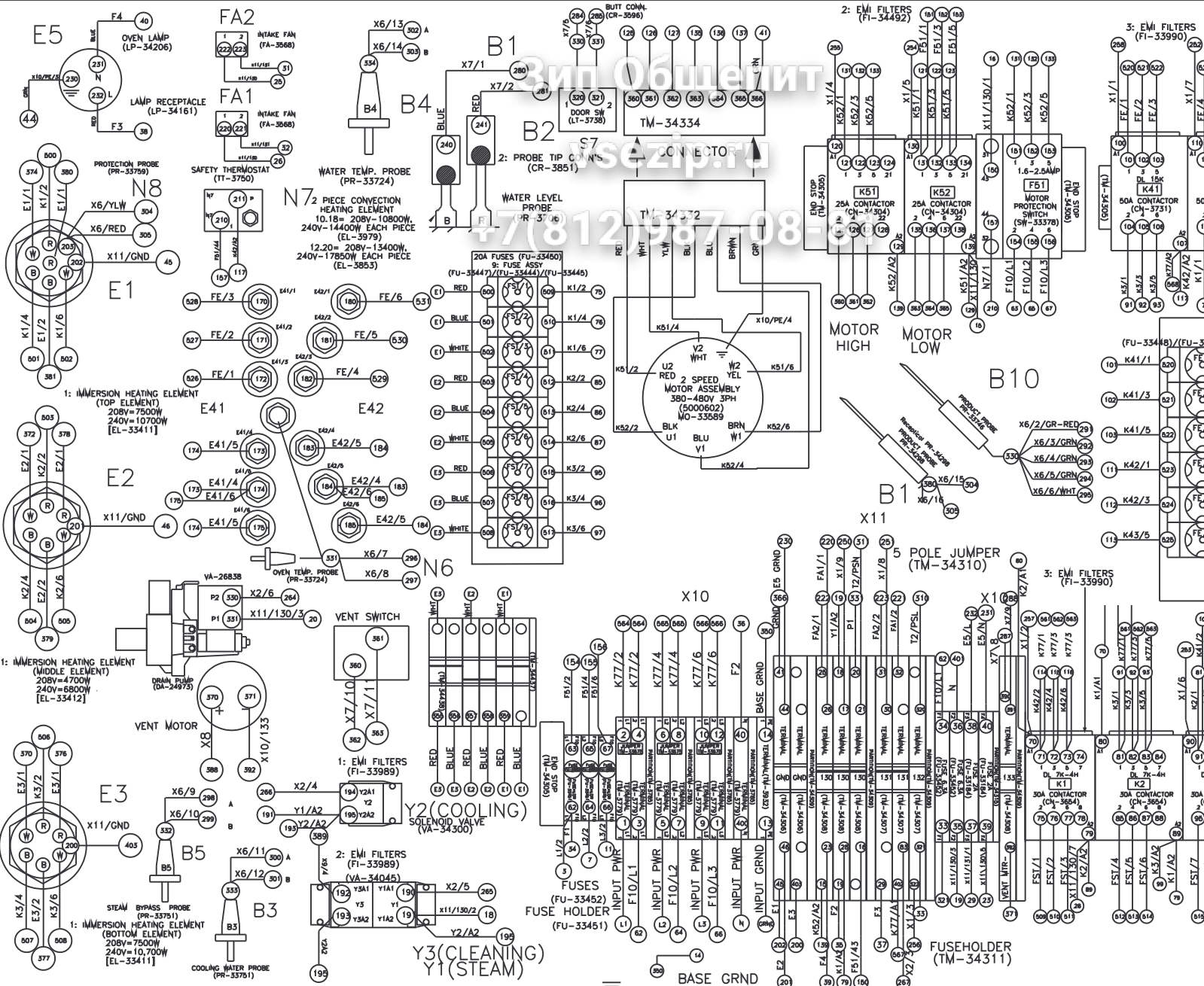
vsezip.ru

7(812)987-08-81



- NOTES:
- N6 DIVEN PROBE PR-33724
  - N8 PROTECTION PROBE PR-33789
  - B2 WATER LEVEL PROBE PR-3707 (ONLY BOILER)
  - B3 COOLING WATER PROBE PR-33751
  - B4 WATER TEMPERATURE PROBE PR-33724
  - B5 STEAM BYPASS PROBE PR-33751
  - B11 PRODUCT PROBE PR-34298
  - B11 PRODUCT PROBE PR-33746 (OPTIONAL MULTI-POINT)

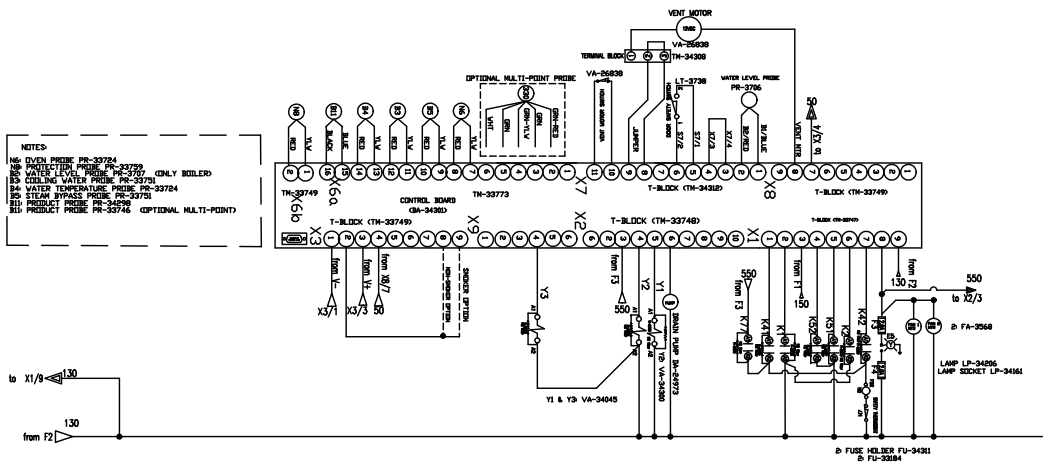
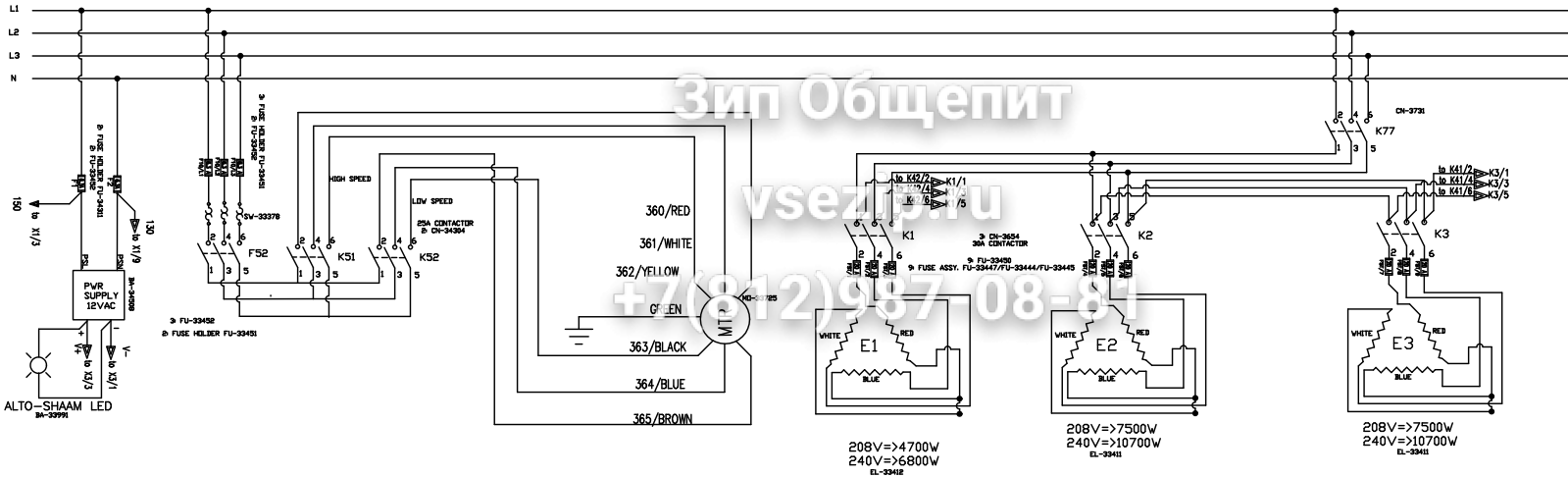




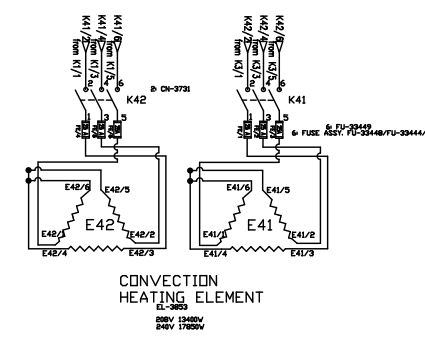
Зип Общепит

vsezi.ru

+7(812)987-08-81



NOTES:  
I. NO TOUCH PROBE PR-32774  
II. NO WATER PROBE PR-32729  
III. COOLING WATER PROBE PR-32781  
IV. WATER TEMPERATURE PROBE PR-32784  
V. STEAM BYPASS PROBE PR-32751  
VI. PRODUCT PROBE PR-32749  
VII. PRODUCT PROBE PR-32748 OPTIONAL MULTI-POINT



|         |      |                |
|---------|------|----------------|
| MODELS: | 1020 | ES/ESN         |
| PH:     | 3    | VOLTS: 380-415 |
| BY:     | MVG  | SCALE:         |
| APP:    |      | DATE: 8/13/07  |

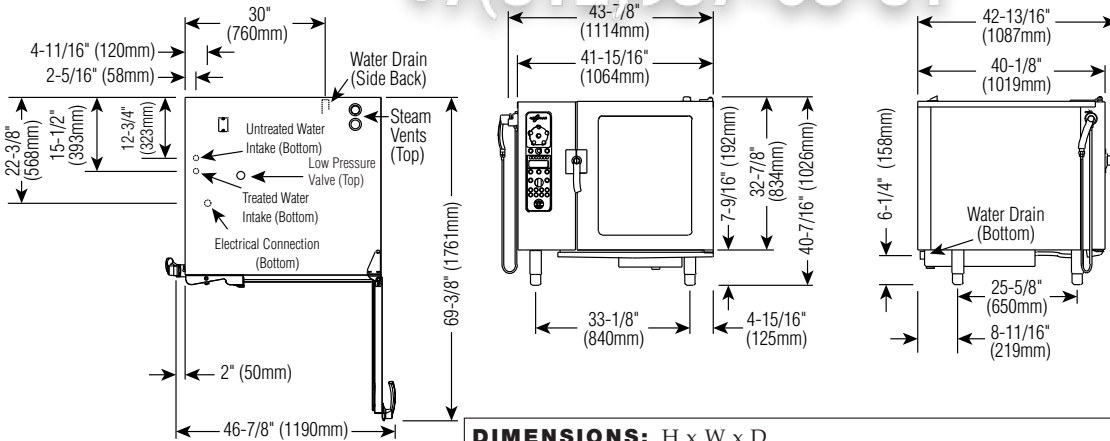
**SECTION CONTENTS**

|  |                  |     |
|--|------------------|-----|
| Technical Data.....                    | vsezip.ru        | 230 |
| Parts Information.....                 | +7(812)987-08-81 | 231 |
| Door Assembly.....                     |                  | 231 |
| Recessed Door Assembly .....           |                  | 232 |
| Directional Panel Assembly .....       |                  | 233 |
| Pressure Box Assembly .....            |                  | 234 |
| Wiring and Ladder Diagrams .....       |                  | 235 |
| 208-240V 3PH 50/60 Hz Wiring .....     |                  | 235 |
| 208-240V 3PH 50/60 Hz Ladder.....      |                  | 236 |
| 440-480V 3PH 50/60 Hz Wiring .....     |                  | 237 |
| 440-480V 3PH 50/60 Hz Ladder.....      |                  | 238 |
| 380-415V 3PH 50 Hz Wiring .....        |                  | 239 |
| 380-415V 3PH 50 Hz Ladder .....        |                  | 240 |
| Return to Main Table of Contents ..... |                  | 3   |



## 10•18 Esi SPECIFICATIONS

+7(812)987-08-81



|  |   |
|--|---|
| <b>DIMENSIONS: H x W x D</b>           |   |
| <b>EXTERIOR:</b>                       | 40-7/16" x 43-7/8" x 42-13/16" (1026mm x 1114mm x 1087mm) |
| <b>EXTERIOR WITH RETRACTABLE DOOR:</b> | 40-7/16" x 47-7/8" x 42-13/16" (1026mm x 1216mm x 1087mm) |
| <b>INTERIOR:</b>                       | 30-3/4" x 23-1/2" x 28-7/16" (781mm x 596mm x 722mm)      |

**INSTALLATION REQUIREMENTS**  
 Oven must be installed level.  
 Hood installation is required.  
 Water supply shut-off valve and back-flow preventer.

**WATER REQUIREMENTS**  
**TWO (2) COLD WATER INLETS - DRINKING QUALITY**  
 ONE (1) TREATED WATER INLET: 3/4" NPT\*  
 ONE (1) UNTREATED WATER INLET: 3/4" NPT\*  
 LINE PRESSURE: 30 to 90 psi 2.8 to 6.2 bar  
**WATER DRAIN:** 1-1/2" CONNECTION WITH AIR GAP  
 \* Can manifold off of one 3/4" line.

**CLEARANCE REQUIREMENTS**  
**LEFT:** 6" (152mm) PLUS SERVICE ACCESS: 18" (457mm) RECOMMENDED 20" (508mm) FROM HEAT PRODUCING EQUIPMENT  
**RIGHT:** 4" (102mm) **TOP:** 20" (508mm) FOR AIR MOVEMENT  
**BACK:** 4" (102mm) **BOTTOM:** 5-1/8" (130mm) FOR LEGS  
 COUNTER-TOP INSTALLATIONS MUST MAINTAIN 4" (102mm) MINIMUM CLEARANCE FROM COUNTER SURFACE.

**WATER QUALITY MINIMUM STANDARDS**

USING A WATER SUPPLY NOT MEETING ALTO-SHAAM'S MINIMUM WATER QUALITY STANDARDS WILL VOID THIS WARRANTY. It is the responsibility of the purchaser to ensure that incoming water supply is compliant with the specifications listed through adequate treatment measures. Installation of the CombiGuard™ Water Filtration System is recommended, but this system may not address all water quality issues present.

| Contaminant                  | Inlet Water Requirements (untreated water) |
|------------------------------|--|
| Free Chlorine                | Less than 0.1 ppm (mg/L)                   |
| Hardness                     | Less than 3 gpg (52 ppm)                   |
| Chloride                     | Less than 30 ppm (mg/L)                    |
| pH                           | 7.0 to 8.5                                 |
| Alkalinity                   | Less than 50 ppm (mg/L)                    |
| Silica                       | Less than 12 ppm (mg/L)                    |
| Total Dissolved Solids (tds) | Less than 60 ppm                           |

|         |         |       |          | <b>10•18 Esi</b>   |         | <b>10•18 Esi/sk</b> |              |
|---------|---------|-------|----------|--------------------|---------|---------------------|--------------|
|         | VOLTAGE | PHASE | CYCLE/HZ | AWG                | AMPS    | kW                  | kW           |
| 208-240 | at 208  | 3     | 50/60    | 3 Wire plus ground | 61.1/ph | 22.0                | 62.5/ph 22.5 |
|         | at 240  |       |          | AWG 2              | 70.3/ph | 29.2                | 71.5/ph 29.7 |
| 380-415 | at 380  | 3     | 50/60    | 4 Wire plus ground | 33.5/ph | 22.0                | 34.2/ph 22.5 |
|         | at 415  |       |          | AWG 8              | 40.7/ph | 29.2                | 41.4/ph 29.7 |
| 440-480 | at 440  | 3*    | 50/60    | 3 Wire plus ground | 35.7/ph | 27.2                | 36.4/ph 27.7 |
|         | at 480  |       |          | AWG 8              | 43.5/ph | 36.1                | 44.0/ph 36.6 |

\* ELECTRICAL SERVICE CHARGE APPLIES

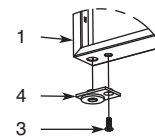
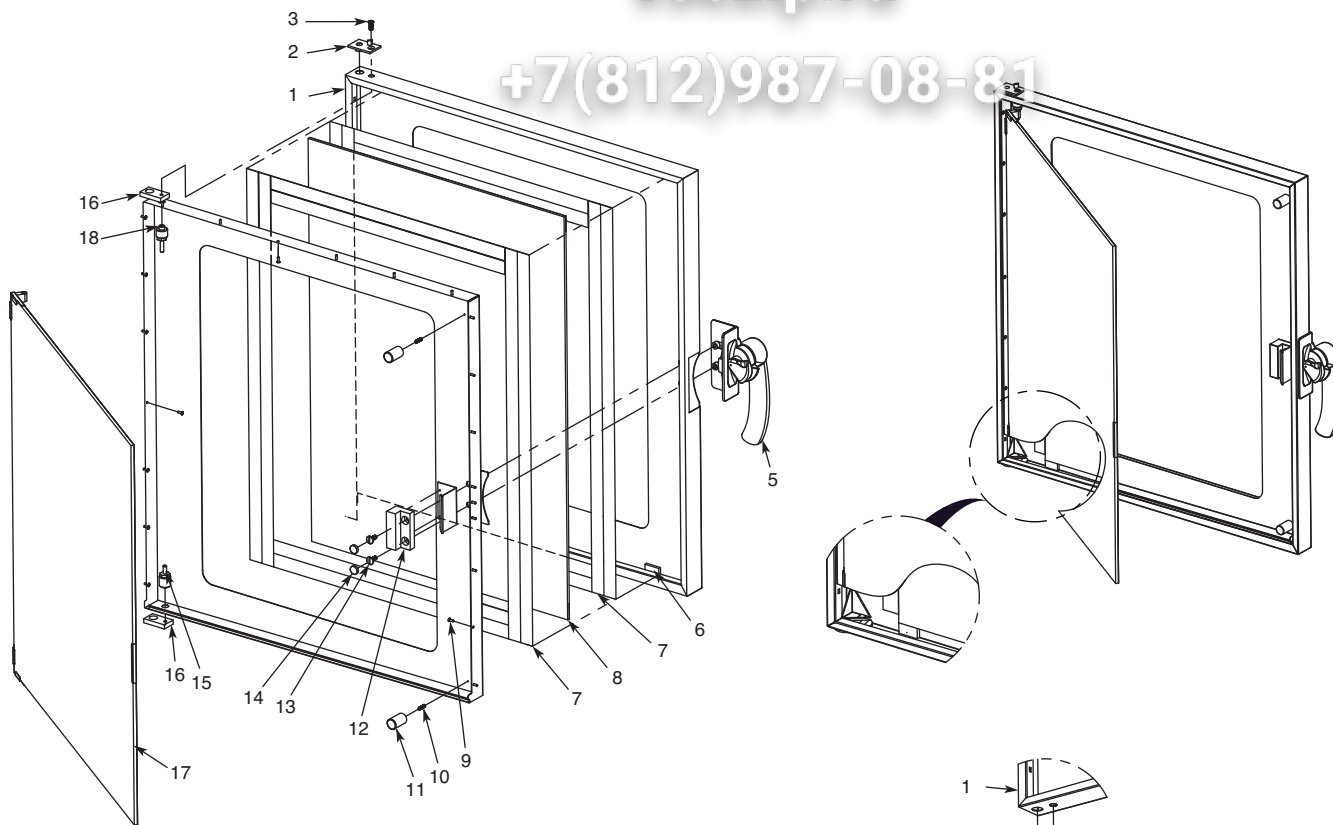
| <b>WEIGHT</b>                           |                      | <b>CAPACITY</b>                       |             |
|---|----------------------|---------------------------------------|-------------|
| NET                                     | 520 lb (236 kg)      | FULL-SIZE PANS: 20" x 12" x 2-1/2"    | Twenty (20) |
| SHIP                                    | 640 lb (290 kg)      | GN 1/1: 530 x 325 x 65mm              | Twenty (20) |
|   |                      | GN 2/1: 650 x 530 x 65mm              | Ten (10)    |
| CRATE                                   | 46" x 51" x 46" EST. | FULL-SIZE SHEET PANS:* 18" x 26" x 1" | Ten (10)    |
| DIMENSIONS: (1168 x 1295 x 1168mm)      |                      | ON WIRE SHELVES ONLY                  |             |
| 240 lb (109 kg) MAXIMUM                 |                      |                                       |             |
| VOLUME MAXIMUM: 150 QUARTS (190 LITERS) |                      |                                       |             |

\*ADDITIONAL WIRE SHELVES REQUIRED FOR MAXIMUM CAPACITY

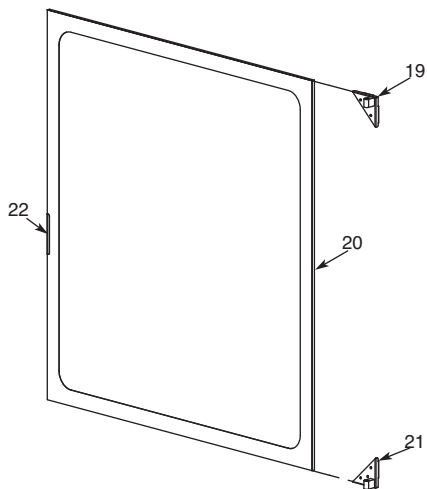
## DOOR ASSEMBLY

vsezip.ru

+7(812)987-08-81



Hinge Detail



| Item | Part     | Description   | Qty. |
|------|----------|---|------|
| 1    | 1006880  | Outer Panel, Door 10.10                                     | 1    |
| 2    | HG-25077 | Hinge, CT, Top Stop, ML Combi                               | 1    |
| 3    | SC-22282 | Screw, CT, 1.0 x 16 mm, Ph Oval, Hd N/S 18-8, DIN #966A     | 2    |
| 4    | HG-25079 | Hinge, CT, Upper Ratchet, Combi                             | 1    |
| 5    | HD-26966 | Handle, Door, Right, Combi '06                              | 1    |
| 6    | BM-27116 | Bumper  | 2    |
| 7    | TA-25125 | Tape, Double Sided  | 2    |
| 8    | GL-27224 | Glass, Outer Door, 10.10/10.18ep                            | 1    |
| 9    | RI-27108 | Rivet, Sealed   | 22   |
| 10   | SC-25091 | Screw, CT, M5 x 16, DIN 551, A2 S/S, Sltd Set Screw Flat Pt | 2    |
| 11   | BM-27146 | Bumper Stop/Inner Door                                      | 2    |
| 12   | SP-27212 | Spacer, Window Latch  | 1    |
| 13   | SC-27125 | Screw, Truss Head, S/S                                      | 2    |
| 14   | PG-24789 | Plug, 15 mm   | 2    |
| 15   | PI-26974 | Pin, Lower  | 1    |
| 16   | HG-25078 | Hinge, CT, Anchor, ML Combis                                | 2    |
| 17   | 5005560  | Inner Door Glass Assembly                                   | 1    |
| 18   | PI-26973 | Pin, Upper  | 1    |
| 19   | HG-27217 | Lower Hinge Assembly  | 1    |
| 20   | GL-27225 | Glass, Inner  | 1    |
| 21   | HG-27218 | Upper Hinge Assembly  | 1    |
| 22   | LT-25394 | Latch, CT, ML, 7.1 ML                                       | 1    |

**PARTS INFORMATION** **Вся информация**  
**RECESSED DOOR ASSEMBLY**

**vsezip.ru**

**+7(812)987-08-81**

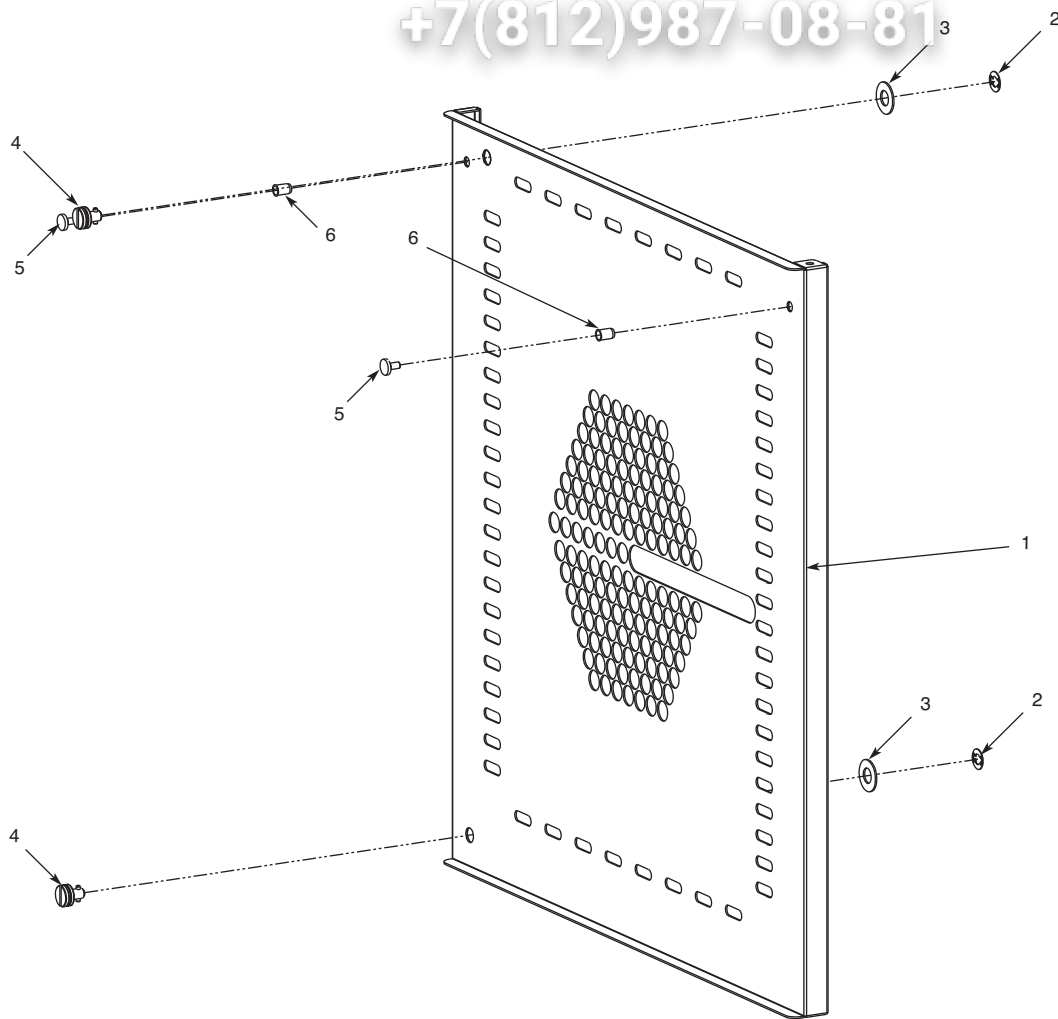
**(Contact factory.)**



## DIRECTIONAL PANEL ASSEMBLY

vsezip.ru

+7(812)987-08-81

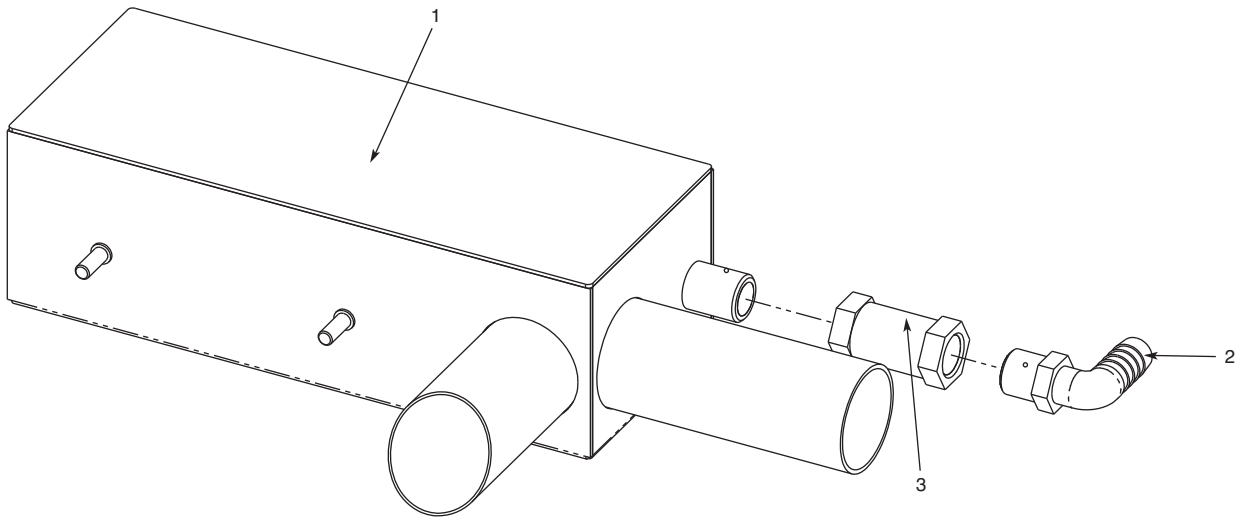
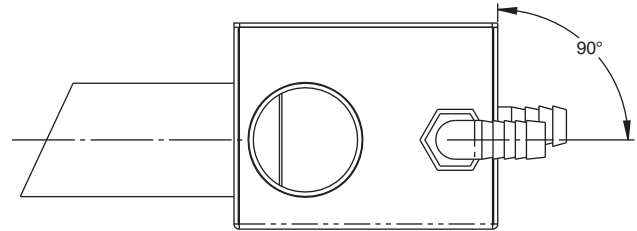


| Item | Part     | Description                     | Qty. |
|------|----------|---------------------------------|------|
| 1    | 1006166  | Directional Panel, 10.18 IEP    | 1    |
| 2    | WS-24090 | Holding (Lock Clip)             | 2    |
| 3    | 1006601  | Directional Panel Spacer, 16 GA | 2    |
| 4    | CL-24089 | Clip, CT, ML, Lock, W/3 Washers | 2    |
| 5    | SC-22753 | Screw, SS Round, Hanging Rack   | 2    |
| 6    | NU-22770 | Nut, Threaded Insert, M6        | 2    |

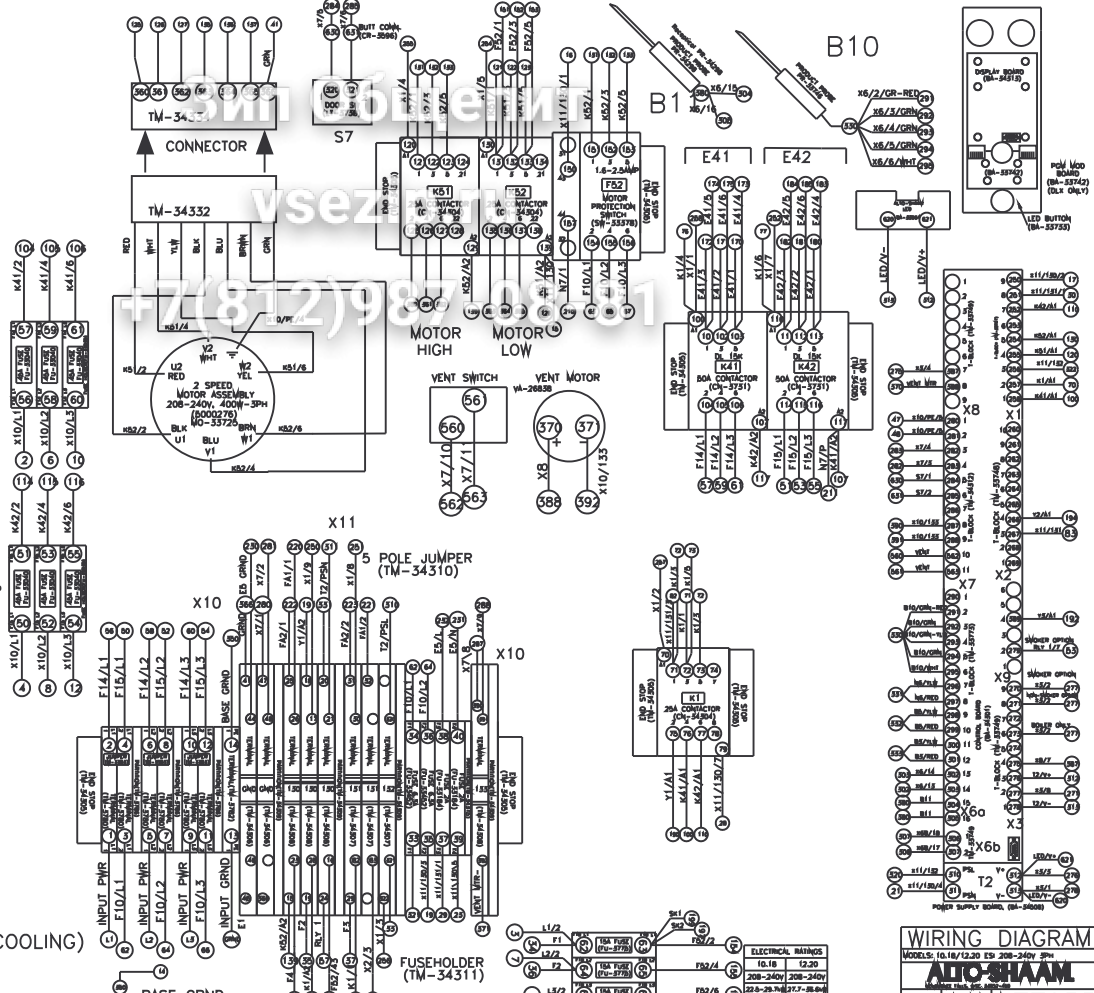
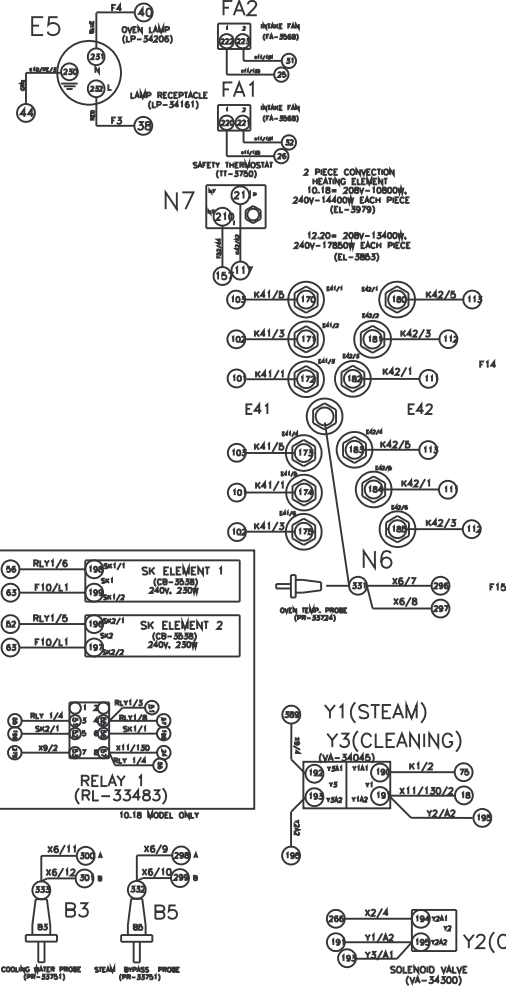
**PARTS INFORMATION** **Всё что нужно**  
**PRESSION BOX ASSEMBLY**

vsezip.ru

+7(812)987-08-81



| Item | Part     | Description                         | Qty. |
|------|----------|-------------------------------------|------|
| 1    | 5005009  | Pressure Box                        | 1    |
| 2    | EB-25551 | Elbow, Nylon, 1/2" x 3/8"           | 1    |
| 3    | VA-25549 | Valve, 3/8", Flow Control, 0.12 GPM | 1    |

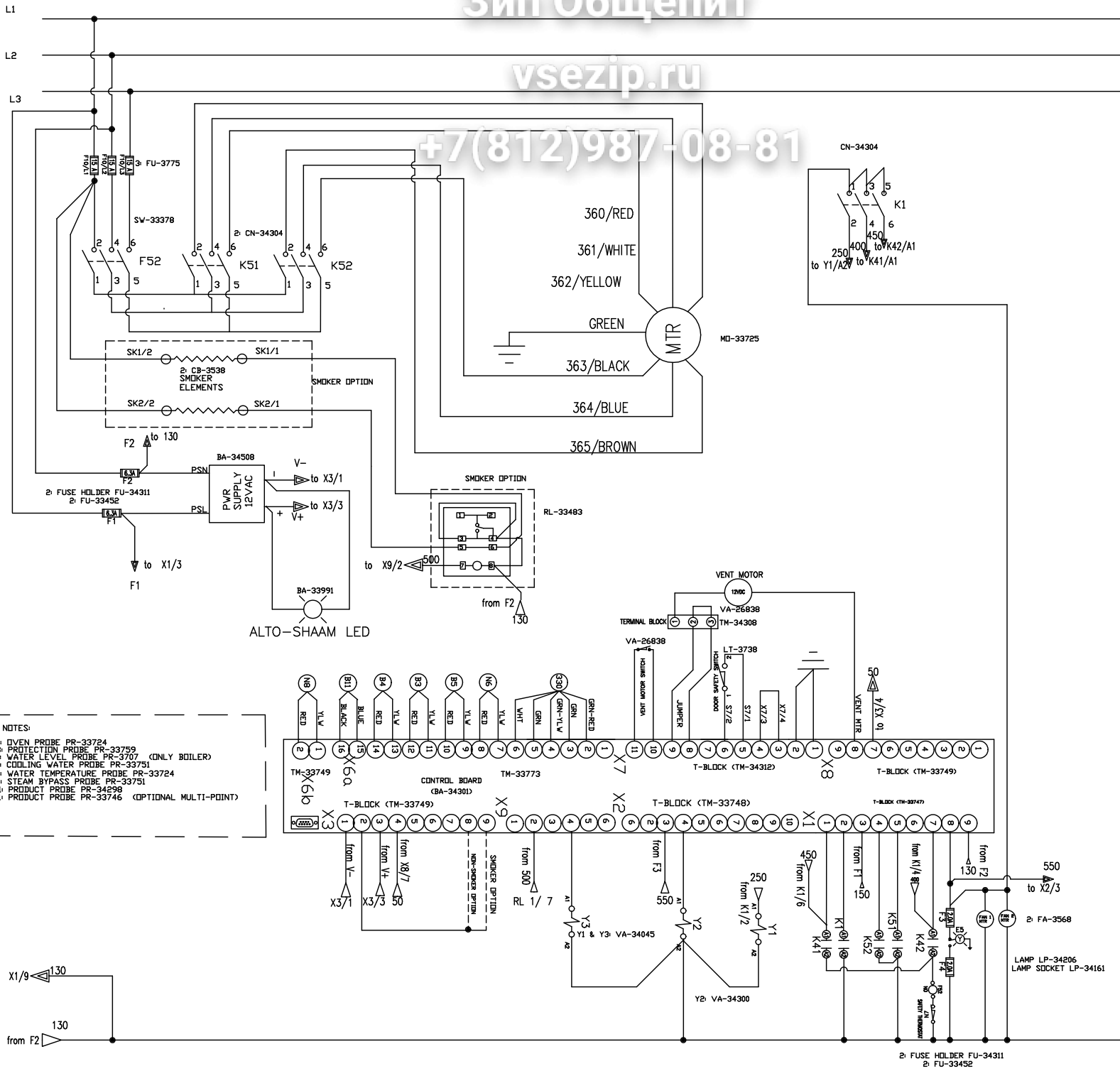


**WIRING DIAGRAM**  
 MODEL: 10.18/12.20 ED 208-240V PH  
**AUTO-SHAAM**  
 BY: SPD SCALE: NONE DATE: 02.0-11.0/77.0-88.0  
 MPP: PREDATE: 1/04/01 D-77055

# Зип Общепит

vsezip.ru

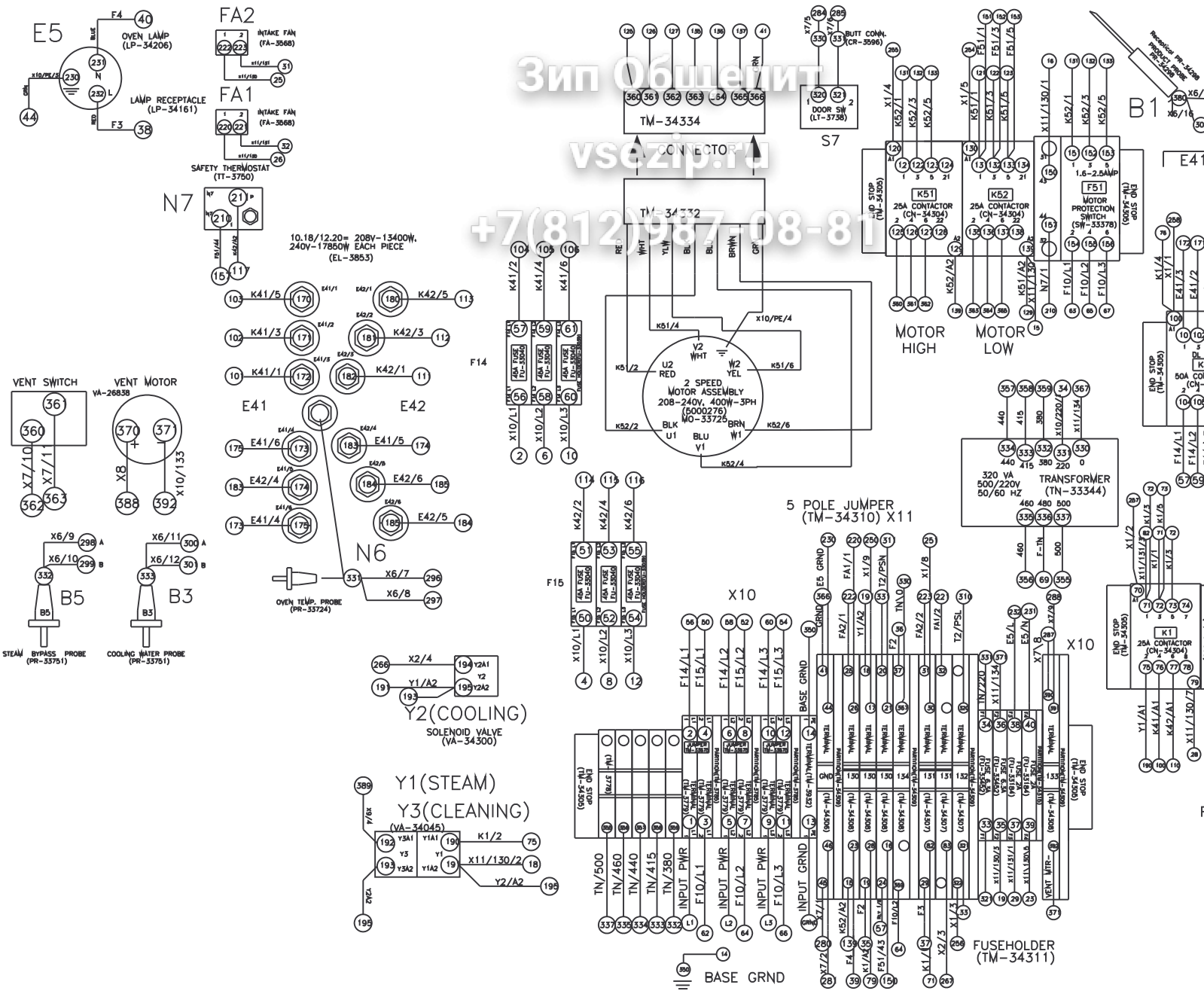
+7(812)987-08-81



Зип Общедит

vsezip.ru

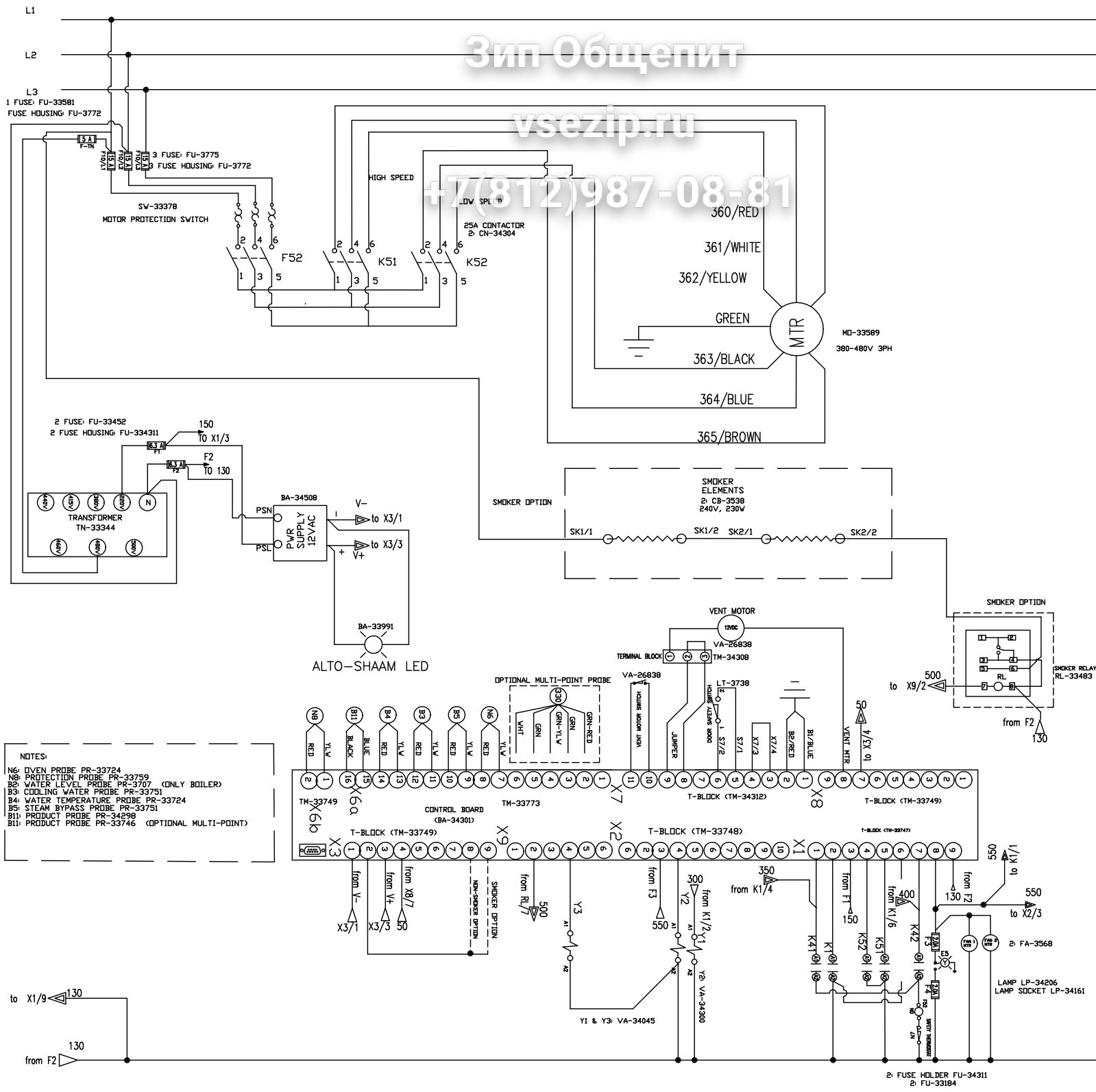
+7(812)987-08-81



# Зип Общепит

vsezip.ru

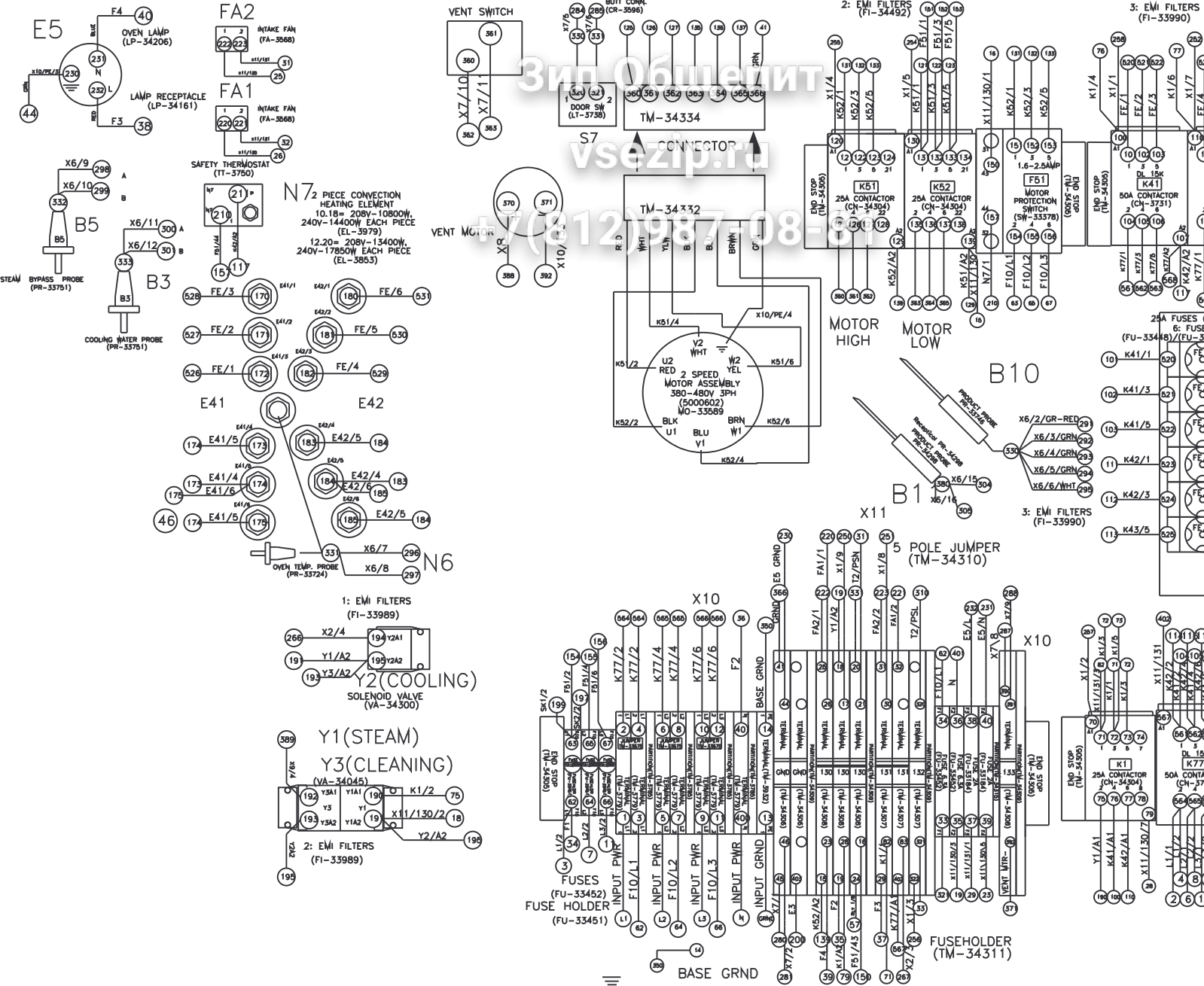
+7(812)987-08-81



NOTES:

- N6: OVEN PROBE PR-33724
- N8: PROTECTION PROBE PR-33759
- B3: WATER LEVEL PROBE PR-3707 (ONLY BOILER)
- B4: COOLING WATER PROBE PR-33751
- B4: WATER TEMPERATURE PROBE PR-33724
- B5: STEAM BYPASS PROBE PR-33751
- B11: PRODUCT PROBE PR-34298
- B11: PRODUCT PROBE PR-33746 (OPTIONAL MULTI-POINT)

2: FUSE HOLDER FU-34311  
2: FU-33184

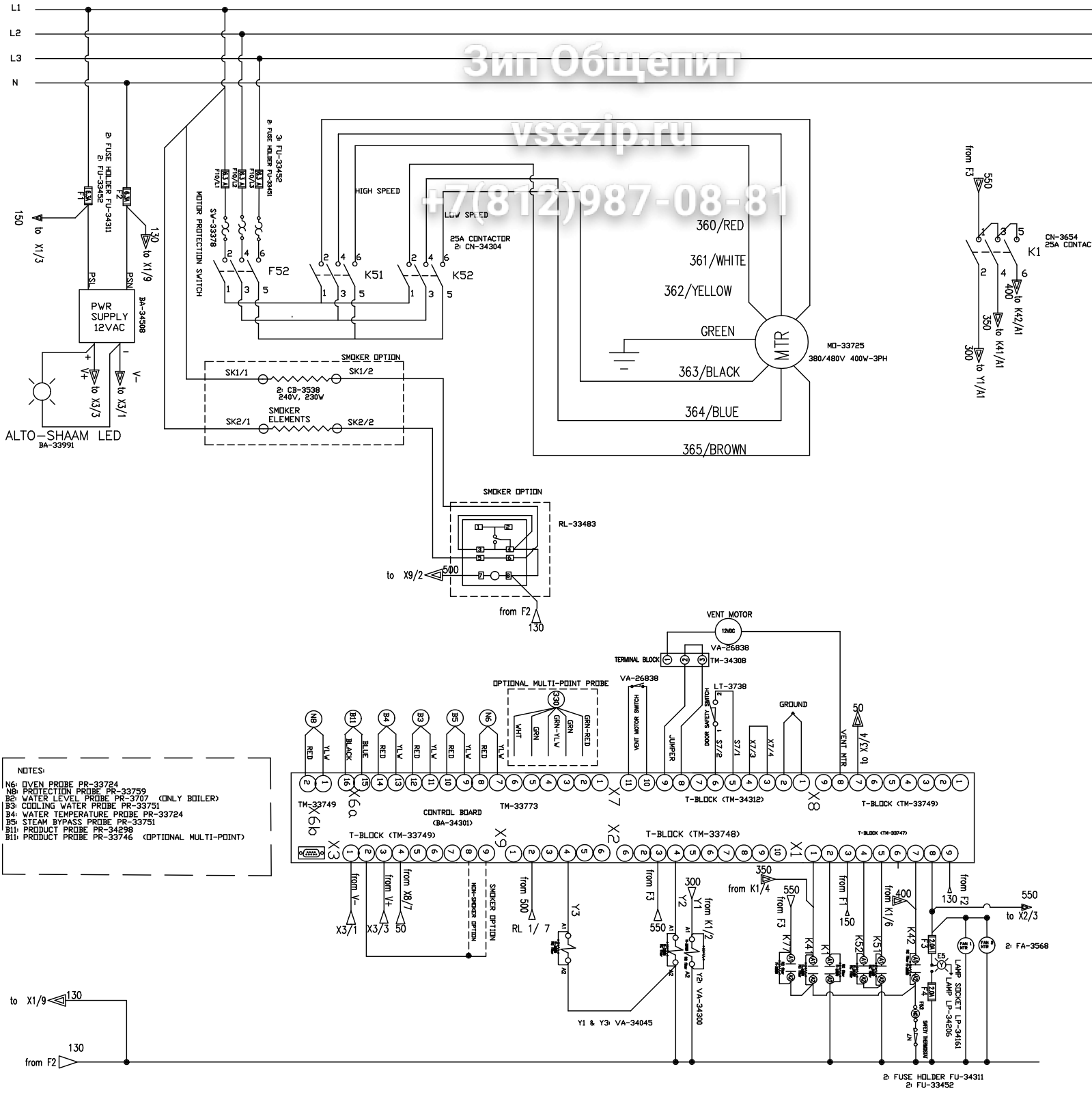


zip Общедоступно  
 vsezip.ru  
 +7(812)987-08-81

# Зип Общепит

vsezip.ru

+7(812)987-08-81



- NOTES:
- N6: OVEN PROBE PR-33724
  - N8: PROTECTION PROBE PR-33759
  - B3: WATER LEVEL PROBE PR-3707 (ONLY BOILER)
  - B4: COOLING WATER PROBE PR-33751
  - B5: WATER TEMPERATURE PROBE PR-33724
  - B11: STEAM BYPASS PROBE PR-33751
  - B11: PRODUCT PROBE PR-34298
  - B11: PRODUCT PROBE PR-33746 (OPTIONAL MULTI-POINT)

2 FUSE HOLDER FU-34311  
2 FU-33452



**Зип Общепит**  
**vsezip.ru**  
**+7(812)987-08-81**

**ALTO SHAAM®**

W164 N9221 Water Street • P.O. Box 450 • Menomonee Falls, Wisconsin 53052-0450 • U.S.A.  
PHONE: (262)251-3800 (800)558-8744 U.S.A./CANADA • FAX: (262)251-7067 (800)329-8744 U.S.A. • [www.alto-shaam.com](http://www.alto-shaam.com)