

MOD: XVC515G

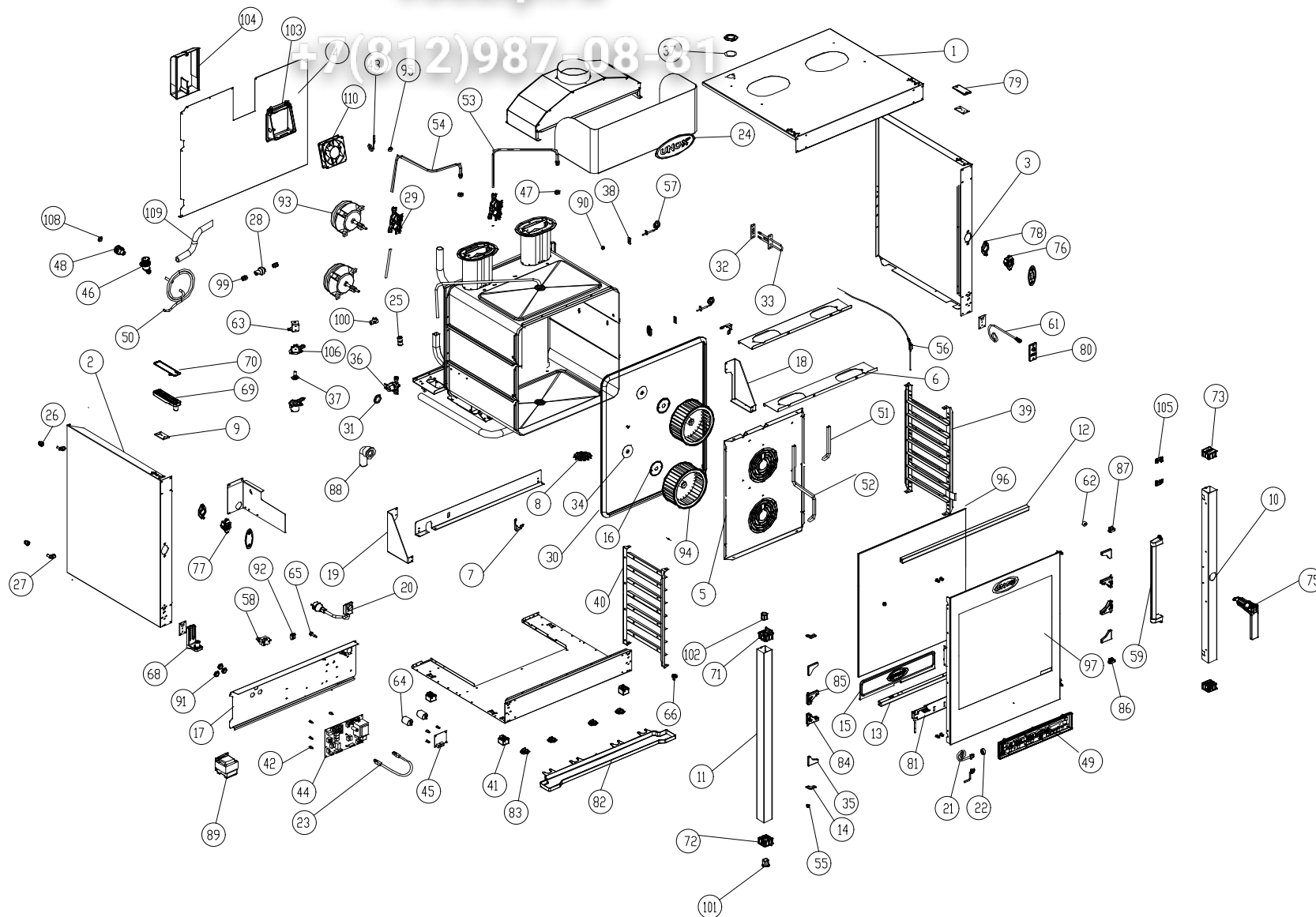
Вип Общепит

EXPLODED VIEW DISEGNO ESPLOSO



vsezip.ru

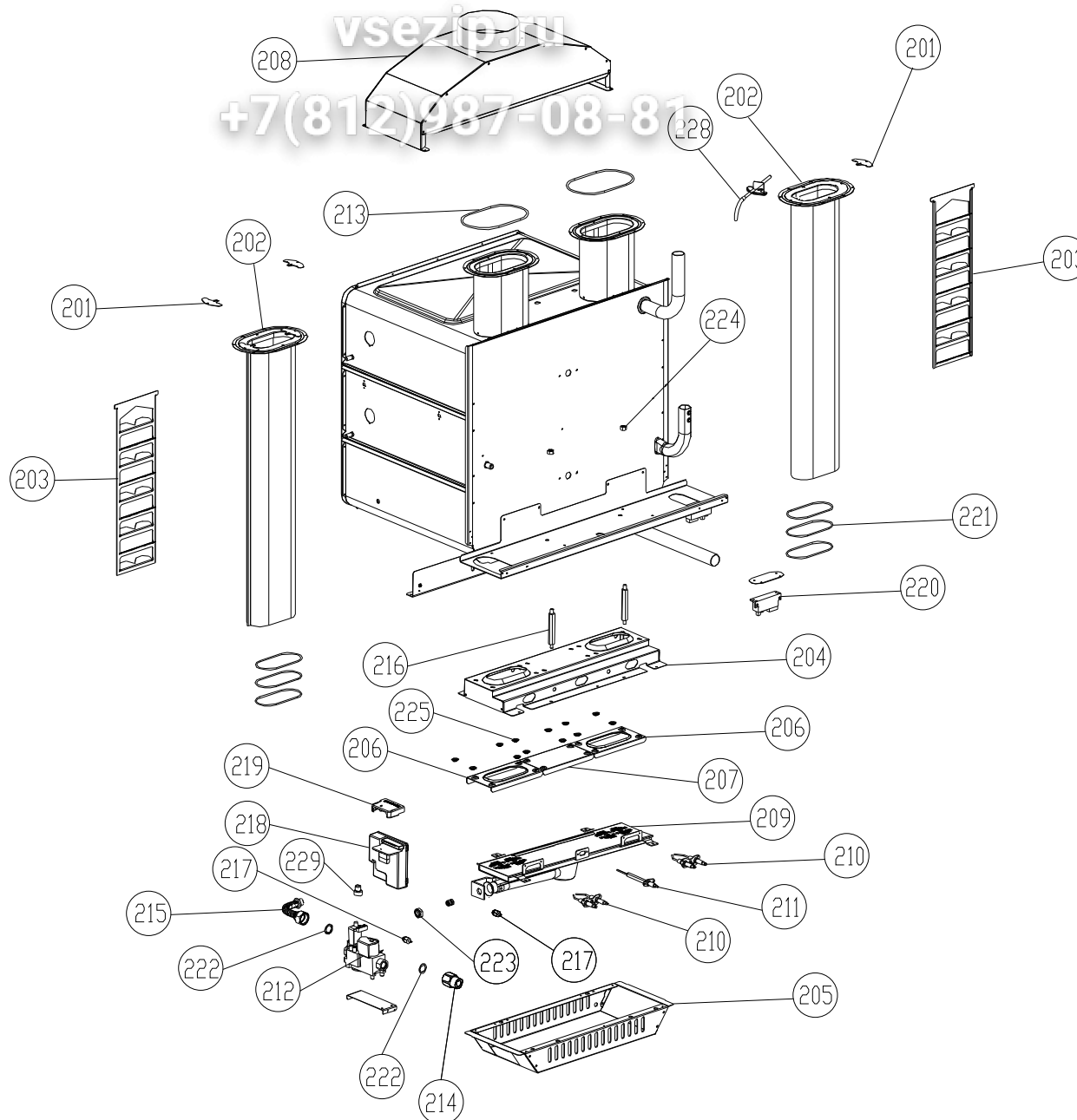
+7(812)987-08-81



MOD: XVC515G

Вип Общепит

EXPLODED VIEW DISEGNO ESPLOSO



LEGEND LEGENDA

201	ON1135A1
202	ON1160A0
203	ON1165A0
204	ON1310A0
205	ON1185A1
206	ON1190A0
207	ON1195A0
208	ON1205A1
209	BR1305A0
210	BR1310A0
211	BR1230A0
212	EL1400A0
213	LV1525A0
214	RC1045A1
215	RC1325A1
216	TF1040A0
217	TF1045A0
218	VE1055A1
219	VE1060A0
220	VE1065A0
221	GR1070A0
222	VII130A0
223	VII140A0
224	VII255A0
225	VII560A0
228	TR1110A0
229	VG1003A0

MOD: XVC515G

Вип Общепит

EXPLODED VIEW DISEGNO ESPLOSO



DESCRIZIONE CODICI

1	OD1775A1	COPERCHIO INOX XVC314/514/714G
2	OD1900A0	FIANCO SX INOX XVC505
3	OD1901A0	FIANCO DX INOX XVC505
4	OF1385A0	SCHEINA INOX XVC515G
5	OG1420A0	CARTER ARIA INOX XVC515G
6	OG1325A1	DIVISORIO CARTER ARIA INOX XVC314/514/7
7	OH1450A0	ANGOLO FACCIATA MUFFOLA INOX XB-XV-XG
8	OH2551A0	TAPPO PER TUBO DI SCARICO LIQUIDI INOX C
9	OH2560A0	CONTROSTAFFA ZINCATA PORTA C.T.
10	TB1190A0	COLONNINA DX INOX PORTA XVC505 XBC605
11	TB1191A0	COLONNINA SX INOX PORTA XVC505 XBC605
12	TB1220A0	LISTELLO SUP INOX PORTA XVC305/505/705
13	TB1221A0	LISTELLO INF INOX PORTA XVC305/505/705
14	OH2650A0	CERNIERA INOX VETRO INTERNO XBC/XVC
15	OH4310A0	PROFILO INOX PARACALORE CRUSCOTTO STP
16	OH4305A1	DISCO TENUTA ALBERO MOTORE INOX STP
17	OP1000A0	PORTACOMPONENTI INOX XVC315/515/715G
18	OH3980A0	STAFFA DX SUPPORTO MUFFOLA INOX
19	OH3981A0	STAFFA SX SUPPORTO MUFFOLA INOX
20	CE116A1	CAVO 3X1,5 H07RN-F MITL 5+K2/3+SCHUKO
21	CE1310A1	CAVO COLLEGAMENTO POTENZA CONTROLLO
22	CE1285A0	FERRITE EMI ROUND MOD. 2643801502
23	CE1400A0	CAVO RJ45 - RJ45 L=0,5MT
24	ED1115A0	ETICHETTA UNOX ELLISSE 235X100
25	EL1055A0	RIDUZIONE J.G. DA D=10 A D=8 PM201008E
26	EL1185A0	RACCORDO A GOMITO J.GUEST Ø8 - Ø8
27	EL1195A0	RACCORDO A GOMITO CON J.GUEST
28	EL1370A0	RIDUTTORE PRESSIONE 2 BAR CUBEAIR
29	EL1360A1	
30	GN1000B0	GUARNIZIONE NERA 50 SHORE FORNI XB-XG-XV
31	GN1045A0	GUARN. ANTIVIBR. CAMMINO-SCARICO
32	GN1326A0	GUARNIZIONE RES. 70X22X0,8
33	RS1215A0	RESISTENZA 1 SPIRA 147 W 105 V
34	GN1140A1	GUARNIZIONE PORTAMOTORE STAMP.
35	GN1180A0	GUARNIZIONE CERNIERE VETRO INT.
36	EL1252A0	ELETTROVALVOLA H2O 1 VIA RID. VERDE
36	EL1252A0	ELETTROVALVOLA H2O 1 VIA RID. VERDE
37	GN1275A0	GUARNIZIONE CAMMINO SILICONE NERO XVC
38	GN1285A0	GUARNIZIONE SONDA DI TEMPERATURA NTC
39	GRL1225A0	SUPPORTO LATERALE DX INOX 77G GN1/I
40	GRL1226A0	SUPPORTO LATERALE SX INOX 77G GN1/I
41	PD1001A0	PIEDINO 35X35 H26 PLASTICA+GOMMA GRIGIO
42	PE102	SUPPORTO PER SCHEDA 24POT98
43	PE1710A0	SENSORE NUMERO GIRI MOTORE
44	PE1725A3	SCHEDA POTENZA FORNI C.T. B.T. SERIE
45	PE1730B0	SCHEDA GESTIONE CENTRALINA GAS
46	EL1375A0	FILTRO ACQUA Ø8 MESH100
47	RC1170A1	DADO M14 H=8 CH=22 INOX
48	RC1210A1	RACCORDO 3/4 VALVOLA DI NON RITORNO
50	TB1815A0	TUBO PE 7,93X4,75 TRASPARENTE
51	TB1540A1	TUBO INTERNO UMIDITA CENTRALE
52	TB1055A0	TUBO INTERNO UMIDITA DX D=16 SP=1
53	TB1515A0	TUBO ESTERNO UMIDITA + RACCORDO
54	TB1600A0	TUBO ESTERNO UMIDITA PIU RACCORDO INOX
55	TF1010A0	BOCCOLA TEFLON CERNIERA VETRO

56	TR1041A2	SONDA ALLUCINE STAFFA L=2000
57	TR1105A0	SONDA TEMPERATURA PT100 L=1000
58	TR255B	TERMOSTATO SIC.+UNIPOL.330°C Ty95H
59	LP1002B1	BIGLIA MINIZI NELET L=10
61	VE02C A1	MORSETTI RUTTURE PER RIAVIAZIONE
62	VE1030A1	CALAMITA D=22,9mm PER MICROPORTA
63	VE1135A0	ATTUATORE VENTURI 220V 50/60 Hz SERIE 2
64	VE1110A0	CONDENSATORE 6,3 µF 450VAC 50/60Hz
65	VE311	FUSIBILE 5x20 1,6A RAPIDO XG410/310
66	VI1035A1	NOTTOLINO M6x12,5 CON TAGLIO OTT.CROM.FE
68	VM1160A1	STAFFA INF. PORTA XVC204/304/504/704
69	VM1165A1	STAFFA SUP. PORTA XVC204/304/504/704
70	VM1166A0	COPERCHIO STAFFA SUPERIORE PORTA
71	VM1170B0	TAPPO FULCRO SUP. PORTA XVC204/304/504/7
72	VM1171B0	TAPPO FULCRO INF. PORTA XVC204/304/504/7
73	VM1175A0	TAPPO ESTETICO COLONNINA PORTA
75	VM1180A0	IMPUGNATURA MANIGLIA XVC204/304/504/704
76	VM1190A1	SCROCCO MANIGLIA DX XVC204/304/504/704
77	VM1191A1	SCROCCO MANIGLIA SX XVC204/304/504/704
78	VM1192A0	COPERCHIO SCROCCO MANIGLIA XVC204/304/5
79	VM1195A0	PIASTRINA COPRIFORI XVC204/304/504/704
80	VM1201A1	PIASTRINA SUPPORTO MICROPORTA MAGNETICO
81	VM1206B0	PROFILO SALVAGOCCIA PORTA XVC304/504/704
82	VM1216B0	CASSETTO RACCOGLIGOCCE XVC104/304/504/7
83	VM1220A0	CLIP FISSAGGIO CASSETTO RACCOGLIGOCCE
84	VM1230A0	CERNIERA SUP. ALLUMINIO VETRO
85	VM1231A0	CERNIERA INF. ALLUMINIO VETRO
86	VM1235A0	FERMA VETRO INTERNO SUP. XVC204/304/504
87	VM1236A0	FERMA VETRO INTERNO INF. XVC204/304/504
88	VM1260A0	CURVA A 90° RACCORDO SCARICO
90	VM1465A0	COPERCHIO SONDA TEMPERATURA CHEFTOP
91	VM1505A0	PASSAPARETE CON DIAFRAMMA
92	VM250	MORSETT A PETTINE
93	VM1130A0	MOTORE FORNO 330W 230V 50/60HZ
94	VN1030A3	VENTOLA D=196 H=81 39 PALE INOX DADO M8
96	VT1100A0	VETRO INTERNO 633X620X6 BETFL XVC504
97	VT1101B0	VETRO ESTERNO SER. 647X743X4 CTFL XVC505
99	EL1210A0	RACCORDO J.GUEST TERMINALE DIRITTO
100	EL1020A0	RACCORDO INTERMEDIO "T" TUBO ø8
101	VM1510A0	BOCCOLA SCANALATA PERNO PORTA XBC/XVC
102	VM1511A0	BOCCOLA LISCIA PERNO PORTA CHEFTOP
103	VM1555A0	SUPPORTO VENTOLA RAFFREDDAMENTO CT-BT
104	VM1556A0	PROTEZIONE VENTOLA RAFFREDDAMENTO CT-BT
105	VM1490A0	COPRI VITI MANIGLIA CHEFTOP BAKERTOP
106	VM1566A0	PORTA BOBINA SUPERIORE VENTURI
108	GN1200A0	GUARNIZIONE D=24 RACCORDO 3/4 GOMMA+RETE

109	TB1924A0	TUBO SILICONE VENTURI D25 XBC605
110	VN1120B0	VENTOLA RAFFREDDAMENTO 12V

201	ON1135A1	FORCHETTA FISSA TURBOLATORE AISI321SERIE
202	ON1160A0	CANNA SCAMBIATORE INOX XVC514G
203	ON1165A0	TURBOLATORE INOX XVC514G
204	ON1310A0	SCATOLA SUP. BRUCIATORE ATM V2
205	ON1185A1	SCATOLA INFERIORE INOX XVC314/514/714G
206	ON1190A0	SCUDO INTERNO INOX XVC314/514/714
207	ON1195A0	SCUDO INTERMEDIO INOX XVC314/514/714 G
208	ON1205A1	INTERRUTTORE TIRAGGIO FUMI XVC314/514/71
209	BR1305A0	ASS. BRUCIATORE ATM XVC/XBC 5 CANDELE
210	BR1310A0	CANDELA DOPPIA ACCENSIONE XVC-XBC
211	BR1230A0	CANDELA DI RILEVAZIONE ACCENSIONE
212	EL1400A0	ELETTROVALV GAS MODULANTE 230V 50/60 HZ
213	LV1525A0	GUARNIZIONE CORDA FIBRA DI VETRO C-CANNE
214	RC1045A1	RACC. DRITTO OTT.FIL.3/4GAS FEMM.-3/4
215	RC1325A1	RACCORDO FLESS.LE GAS 3/8 EST-M13X1
216	TF1040A0	COLONNINA FISSAGGIO BRUCIATORE XVC/XBC
217	TF1045A0	PERNO SOSTEGNO ANTERIORE BRUCIATORE
218	VE1055A1	CONTROLLO FIAMMA HLL 220-240V 5 SEC
219	VE1060A0	COPERCHIO PER VE1055A0
220	VE1065A0	ACCENDITORE H21/09/02/220V-50Hz
221	GR1070A0	ANELLO PER LABIRINTO CANNA-PORTACANNA
222	VII130A0	RONDELLA ALL.24x18x1,5 TENUTA GAS
223	VII140A0	DADO 3/8" GAS FEMM 22x7 OTTONE OT58
224	VII255A0	DADO M8 H=8 UNI5587 OTTONE-CROMATO
225	VII1560A0	RONDELLA BUGNATA Di=4 De=28 Sp=0,8 INOX
228	TR1110A0	SONDA TEMPERATURA TC K L=2000
229	VG1003A0	TAPPO COPRI MODULATORE VALVOLA GAS

MOD: XVC515G

Вип Общепит

EXPLODED VIEW DISEGNO ESPLOSO



DESCRIZIONE CODICI

1	OD1775A1	XVC315/515/715G STAINLESS STEEL COVER
2	OD1900A0	XVC505 STAINLESS STEEL LEFT SIDE PANEL
3	OD1901A0	XVC505 STAINLESS STEEL RIGHT SIDE PANEL
4	OF1385A0	
5	OG1420A0	
6	OG1325A1	
7	OH1450A0	XB-XV-XG ST. STEEL MUFFLE FRONT CORNER
8	OH2551A0	XBC/XVC ST. STEEL COVER FOR DRAIN PIPE
9	OH2560A0	XBC/XVC ZINC PLAT. DOOR COUNTERBRACKET
10	TB1190A0	XVC505 XBC605 ST. STEEL RIGHT DOOR COLUMN
11	TB1191A0	XVC505 XBC605 ST. STEEL LEFT DOOR COLUMN
12	TB1220A0	XVC305/505/705 ST. STEEL DOOR UPPER BAR
13	TB1221A0	XVC305/505/705 ST. STEEL DOOR LOWER BAR
14	OH2650A0	XBC/XVC ST. STEEL INTERNAL GLASS HINGE
15	OH4310A0	MOLDED ST. STEEL HEAT-GUARD FOR PANEL
16	OH4305A1	ST. STEEL SEALING DISC FOR MOTOR SHAFT
17	OP1000A0	XVC3/5/715G ST. ST. EL. COMPONENTS PANEL
18	OH3980A0	ST. STEEL CHAMBER RIGHT HOLDING BRACKET
19	OH3981A0	ST. STEEL CHAMBER LEFT HOLDING BRACKET
20	CE116A1	EL CABLE 3x1.5 H07RN-F MIT1,5+K2/3+SCHUKO
21	CE1310A1	POWER - CONTROL BOARD CONNECTING CABLE
22	CE1285A0	EMI ROUND FERRITE MOD.2643801502
23	CE1400A0	RJ45 - RJ45 CABLE L=0,5MT
24	ED1115A0	235X100 UNOX LABEL
25	EL1055A0	STRAIGHT REDUCTION FROM D=10 TO
26	EL1185A0	ELBOW CONNECTION J. GUEST Ø8 - Ø8
27	EL1195A0	ELBOW UNION WITH J.GUEST TERMINAL
28	EL1370A0	DYNAMIC PRESSURE REDUCER 2 Bar
29	EL1360A1	
30	GN1000B0	BLACK DOOR SEAL 50 SHORE OVENS XB-XG-XV
31	GN1045A0	ANTIVIBR. SEAL FOR EXHAUST CHIMNEY
32	GN1326A0	ELEMENT SEALING 70X22X0.8
33	RS1215A0	147 W 105 V 1 TURN HEATING ELEMENT
34	GN1140A1	MOLDED MOTOR SUPPORT GASKET
35	GN1180A0	INTERNAL GLASS HINGE CARBONOGRAPHITE
36	EL1252A0	ONE INLET WATER VALVE J.G.CONN.
36	EL1252A0	ONE INLET WATER VALVE J.G.CONN.
37	GN1275A0	BLACK SILICON XBC/XVC CHIMNEY SEALING
38	GN1285A0	NTC TEMPERATURE PROBE SEALING
39	GRL1225A0	7 GN1/1 ST. STEEL RIGHT LATERAL SUPPORT
40	GRL1226A0	7 GN1/1 ST. STEEL LEFT LATERAL SUPPORT
41	PD1001A0	FOOT 35X35 H26 GREY PLASTIC+RUBBER
42	PE102	SUPPORT FOR CARD 24POT98
43	PE1710A0	MOTOR REVOLUTIONS SENSOR
44	PE1725A3	SERIES 5 CT. B.T. POWER CARD
45	PE1730B0	GAS GEARCASE CONTROL BOARD
46	EL1375A0	Ø8 MESH100 WATER FILTER
47	RC1170A1	STAINLESS STEEL NUT M14 H=8 CH=22
48	RC1210A1	3/4 FEM. UNION+ FILTER + NONRETURN VALVE
50	TB1815A0	WHITE PE PIPE 7,93X4,75
51	TB1540A1	
52	TB1055A0	STAINLESS STEEL INNER RIGHT WATER
53	TB1515A0	STAINLESS STEEL EXTERNAL WATER
54	TB1600A0	EXTERNAL WATER PIPE + ST. STEEL JOINT
55	TF1010A0	TEFLON BUSHING FOR INTERNAL GLASS

56	TR1041A2	MOLDED WIRE PROBE L=2000
57	TR1105A0	TEMPERATURE PROBE PT100 L=1000
58	TR255B	SAFETY THERMOSTAT+UNIPOL 330°C
59	LP 002P J	LED LIGHT BURNER 100
61	VE 02C A1	MAGNETIC CONTACT MICROSWITCH
62	VE1030A1	MAGNET FOR DOOR MICROSCHWITZ D=22,9mm
63	VE1135A0	VENTURI ACTUATOR 220 V 50/60 Hz SERIES 2
64	VE1110A0	CONDENSER 6,3 µF 450VAC 50/60Hz
65	VE311	FUSE 5x210 1,6A RAPIDO XG410
66	VM1035A1	CHROMIUM PLATED BRASS NUT M6x12,5
68	VM1160A1	XVC204/304/504/704 LOWER DOOR BRACKET
69	VM1165A1	XVC204/304/504/704 UPPER DOOR BRACKET
70	VM1166A0	CAP FOR DOOR UPPER STIRRUP XVC204/304/5
71	VM1170B0	DOOR UPPER FULCRUM-CAP XVC204/304/504/70
72	VM1171B0	XVC204/304/504/70 DOOR LOWER FULCRUM-CAP
73	VM1175A0	DOOR COLUMN BLANKING CAP XVC204/304/504
75	VM1180A0	HANDLE HAFT XVC204/304/504/704
76	VM1190A1	RIGHT DOOR SPRING LATCH XVC204/304/504/7
77	VM1191A1	LEFT DOOR SPRING LATCH XVC204/304/504/7
78	VM1192A0	DOOR SPRING LATCH CAP XVC204/304/504/704
79	VM1195A0	HOLES BLANKING PLATE XVC204/304/504/704
80	VM1201A1	MAGNETIC SUPPORT PLATE FOR DOOR MICROSW.
81	VM1206B0	DOOR DROP PRESERVER FORM XVC304/504/704
82	VM1216B0	DRIP TRAY XVC304/504/704
83	VM1220A0	CLIP TO FIX DRIP TRAY C.T.
84	VM1230A0	UPPER ALUMINIUM HINGE FOR INTERNAL
85	VM1231A0	LOWER ALUMINIUM HINGE FOR INTERNAL
86	VM1235A0	UPPER HOOK TO STOP INNER GLASS
87	VM1236A0	LOWER HOOK TO STOP INNER GLASS
88	VM1260A0	90 °C CURVED DRAIN PIPE
90	VM1465A0	CHEFTOP TEMPERATURE PROBE COVER
91	VM1505A0	WALL PASSING WITH DIAPHRAGM
92	VM250	"COMB" TERMINAL BOARD
93	VM1130A0	330W 230V 50/60HZ MOTOR
94	VM1030A3	ST. STEEL FAN D=196 H=81 39 BLADES
96	VT1100A0	INNER GLASS 633X620X6 BETFL XVC504
97	VT1101B0	XVC505 EXTERNAL GLASS 647x743x4
99	EL1210A0	J. GUEST STRAIGHT END CONNECTION
100	EL1020A0	INTERMEDIATE "T" CONNECTION ø8
101	VM1510A0	XBC/XVC GROOVED DOOR PIN BUSHING
102	VM1511A0	XBC/XVC SLEEK DOOR PIN BUSHING
103	VM1555A0	XBC-XVC COOLING FAN SUPPORT
104	VM1556A0	XBC-XVC COOLING FAN GUARD
105	VM1490A0	CHEFTOP/BAKERTOP HANDLE SCREWS COVER
106	VM1566A0	UPPER VENTURI COIL SUPPORT
108	GN1200A0	3/4 CONNECTION SEAL D=24 RUBBER+NET

109	TB1924A0	
110	VM1120B0	12V COOLING DOWN FAN

201	ON1135A1	BAFFLE FIXING FORK
202	ON1160A0	
203	ON1165A0	
204	ON1310A0	UPPER BOX FOR ATM V2 BURNER
205	ON1185A1	
206	ON1190A0	XBC-XVC INTERNAL BURNER GUARD
207	ON1195A0	XBC-XVC MID BURNER GUARD
208	ON1205A1	
209	BR1305A0	
210	BR1310A0	XBC-XVC DOUBLE START UP CANDLE
211	BR1230A0	START UP SENSOR CANDLE
212	EL1400A0	MODULATING GAS ELECTROVALVE 230V 50/60Hz
213	LV1525A0	
214	RC1045A1	3/4 FEMALE-3/4 STRAIGHT GAS CONNECTION
215	RC1325A1	
216	TF1040A0	
217	TF1045A0	FRONT BURNER RESTING PIN
218	VE1055A1	HLL 220-240V 5 SEC FLAME CONTROL
219	VE1060A0	COVER FOR VE1055A0
220	VE1065A0	LIGHTER H21/09/02/220V-50Hz
221	GR1070A0	STAINLESS STEEL RING FOR LABYRINTH
222	VM1130A0	ALUMINIUM BUSHING 24x18x1,5 TO HOLD GAS
223	VM1140A0	BRASS FEMALE GAS NUT 3/8" 22x7
224	VM1255A0	NUT M8 H=8 UN15587 BRASS-CHROMED
225	VM1560A0	ENG-RODELTA BUGNATA Di=4 De=28
228	TR1110A0	TC K TEMPERATURE PROBE L=2000
229	VG1003A0	

MOD: XVC515G

Вип Общепит

EXPLODED VIEW
DISEGNO ESPLOSO



vsezip.ru

+7(812)987-08-81