

Зип Общепит

vsezip.ru

+7(812)987-08-81

RACK CONVEYOR MACHINE

ELECTROMECHANICAL SWITCHES
ELECTRONICAL SWITCHES
LOWER AND UPPER WASHER

TYPE: 24

Accessories

HEAT RECOVERY - TR98
HEAT PUMP - TR99
STEAM CONDENSER - LC 91
CONVEYOR SPEED ADJUSTING - LC 101
90°MOTORIZED CHAIN CONVEYOR - LC 97/2
180°MOTORIZED CHAIN CONVEYOR - LC 97/3
DRYER WITH 90° MOTORIZED CHAIN CONVEYOR - LC 97/4
DRYER WITH 180° MOTORIZED CHAIN CONVEYOR - LC 97/5
DRYER - LC 90
DRYER - LC 90/2
DRYER - LC 90/900
ADDITIONAL BOILER FOR COLD WATER SUPPLY
DVGW VALVE SYSTEM
DETERGENT ECONOMIZER SYSTEM
SPLASH ZONE WITH CILINDER - LC 94
TANK INSULATION
DOUBLE SKIN
BOOSTER PUMP
DISPENSER SYSTEM SDN-3
ANGLE LOADING TABLE - LC 98

Spare parts Manual



S/N:

Valid from:06/2009

Rev.: 7.0

INFORMAZIONI GENERALI

Questo catalogo serve per richiedere con esattezza le parti di ricambio

Nelle ordinazioni indicare:

1) il numero dei codici dei particolari seguito dalla descrizione e la quantità desiderata;

2) Il codice alfa-numerico presente nella seconda colonna della tabella ;

I disegni delle parti di ricambio sono solo indicativi e non rappresentano il pezzo in oggetto.

I dati contenuti in questo catalogo sono indicativi e possono essere soggetti a modifiche senza impegno di preavviso.

ALLGEMEINE INFORMATIONEN

Dieser Ersatzteilkatalog dient zur genauen Angabe der Teile bei Ersatzteilbestellungen.

Bei Ersatzbestellung ist folgendes anzugeben:

1) Die Bestellnummer der Ersatzteile mit der entsprechenden Beschreibung genaue Menge;

2) Der alpha-numerischer Code auf der zweiten Reihe in dein Spalte;

Die Zeichnungen der Ersatzteile sind nur als Hinweise gedacht und stellen nicht das betroffene Teil dar.

Bei den im Katalog angeführten Daten handelt es sich um Anhaltsdaten, die jederzeit, ohne Vorankündigung, geändert werden können.

GENERAL INFORMATION

The present spare parts order exactly the right spare parts

When ordering specify:

1) the part's code number followed by its description and quantity needed;

2) The alpha-numeric code is in the second column in the chart;

Spare parts drawings are general and do not represent the part.

The contents of this catalogue are general and can undergo changes without prior notice.

INFORMACIONES GENERALES

El presente catálogo sirve para pedir con exactitud las partes de repuesto

En los pedidos se debe indicar:

1) el número de código de la parte y a continuación la descripción cantidad deseada;

2) El código alfanumerico presente en la segnada columna de la tabla;

Los diseños de las partes de recambio son solo indicativos y no representan la pieza en cuestión.

Los datos contenidos en el presente catálogo son indicativos y pueden modificarse sin aviso previo.

INFORMATIONS GENERALES

Ce catalogue permet de commander correctement les pièces détachées

Les commandes doivent être passées en indiquant:

1) le numero de code des pièces détachées suivi de leur description quantité désirée;

2) le code alphanumérique dans la deuxième colonne du tableau;

Les plans des pièces détachées sont fournis seulement à titre indicatif et ne représentent pas la pièce concernée.

Les données de ce catalogue sont citées seulement à titre indicatif et peuvent être l'objet de modifications sans avis préalable.

**ESEMPIO
EXAMPLE
EXEMPLE
BEISPIEL**

| Rif. | Codici |
|--------------------|---------|
| MODULE:Particolari | |
| 10505 | 540903 |
| 10510 | 540908 |
| 10515 | 15065/A |
| 10520 | 540086 |
| 10525 | 540028 |



Note

Tutte le informazioni riportate si intendono aggiornate alla data di stampa. Il Produttore si riserva il diritto di apportare qualsiasi modifica richiesta dallo sviluppo evolutivo dei suddetti prodotti.

Per la sicurezza, la garanzia, l'affidabilità ed il valore della lavastoviglie usa solo ricambi originali. **Per alcuni codici, sono richieste quantità minime d'ordine.**



Attenzione

Questo libretto è parte integrante della lavastoviglie e, in caso di passaggio di proprietà, deve essere consegnato al nuovo acquirente.



Remarque

Toutes les informations contenues dans ce manuel s'entendent mises à jour à la date d'impression. En raison du développement constant de ses produits, usine se réserve le droit d'apporter à tout instant les modifications qu'elle jugera utiles.

Pour la sécurité, la garantie, la fiabilité et la valeur de votre lavevaisselles n'utilisez que des pièces de rechange d'origine. **Pour quelque référence on demande un minimum de pièces par commande**



Attention

Ce manuel doit être considéré comme partie intégrante de la lavevaisselles, en cas de transfert de propriété, doit toujours être remis au nouveau propriétaire.



Note

The information contained herein is valid at the time of going to print. The Company reserves the right to make any changes required by the future development of the above-mentioned products.

For your safety, as well as to preserve the warranty reliability and worth of your dishwashers, use original spare parts only. **For some codes a minimum quantity for order is required.**



Warning

This manual forms an integral part of the dishwashers and - if a transfer of title occurs - must always be handed over to the new owner.



Hinweis


Die Der Hersteller behält sich das Recht vor, jegliche, durch eine Weiterentwicklung der genannten Produkte bedingte Änderungen vornehmen zu können.


Verwenden Sie für Ihre Sicherheit, die Garantie, die Zuverlässigkeit und den Wert Ihrer machine originale Ersatzteile. **Für bestimmte Code nummer werden mindesten bestellungen verlangt.**




Achtung

Diese Betriebsanleitung ist Bestandteile des machine und muss bei seinem Weiterverkauf dem neuen Besitzer ausgehändigt werden.








Code DW 999XYYYY **CL/Part**

Model DESCRIPTION

S/N DW A 1015770 Type

400V 3N 50HZ 8A
3500W 500W

IPX3  16A

Pressione Dinamica alimentazione idrica **200-500 kPa**

Pression dynamique arrivée d'eau

Dynamic pressure water supply

Dynamischer Druck asserreinlauf


Pressione dinamica vapore saturo

Pression dynamique vapore satueèè

Dymanischer Druck gesattigter Dampf

Pression Dinamica Vapor Saturado

TECHICAL SPECIFICATION




MADE IN ITALY


Temperatura massima acqua in ingresso **60°C**

Temperature max eau a l'entre

Maximale Temperatur Wasseranschlü

Maximum Water temperature in-feeding

Model 

S/N 



Spare parts

Зип Общепит

vsezip.ru

+7(812)987-08-81

vsezip.ru

+7(812)987-08-81

1. Spare parts

| | |
|--|-----------|
| Control Panel..... | 13 |
| Control Panel ELECTRONIC | 15 |
| Electronic control HACCP..... | 17 |
| Electric parts..... | 19 |
| Electric parts..... | 23 |
| Machine structure in modules..... | 27 |
| Washing module 900 | 29 |
| Rising module 600 | 31 |
| Economizer components | 33 |
| Curtains group components | 35 |
| Inverter..... | 37 |
| Time relay | 39 |
| Heat recovery TR98 - part 1 | 41 |
| Heat recovery TR98 - part 2..... | 43 |
| Heat recovery TR98 - part 3 | 45 |
| Heat pump TR99 - part 1 | 47 |

| | |
|--|----|
| Heat pump TR99/1 - part 1 | 49 |
| Heat pump TR99/1 - part 2 | 51 |
| Dryer LC90 - LC90/2 (6 - 12kW) - part 1... | 53 |
| Dryer LC90/900 (12kW) - part 1 | 55 |
| Dryer LC80 - LC90 (6kW) - part 2.... | 57 |
| Dryer LC90/2 - LC90/900 (12kW) - part 2.. | 59 |
| Dryer LC90 - LC90/2 - LC90/900 (6 - 12kW) - electric components | 61 |
| Motorized curve 90° - LC 97/2 | 63 |
| Mecanized curve 90° - LC 77/2 | 65 |
| Mecanized curve 180° - LC 77/3 | 67 |
| Dryer motorized curve 90° - LC 97/4 . | 71 |
| Dryer mechanics curve 90° - LC 77/4. | 73 |
| Motorized curve 90° - LC 97/2: electric parts.. | 75 |
| Motorized curve 90° - LC 97/2: electric parts double speed - remote control | 77 |
| Motorized curve 180° - LC 97/3 | 79 |
| Dryer motorized curve 180° - LC 97/5 .. | 81 |
| Motorized curve 180° - LC 97/3: electric parts.. | 83 |
| Motorized curve 180° - LC 97/3: electric parts double speed - remote control | 85 |

| | |
|--|------------|
| Steam condenser LC91 - part 1..... | 87 |
| Steam condenser LC91 - part 2..... | 89 |
| Steam condenser TR91 - part 1..... | 91 |
| Steam condenser TR91 - part 2..... | 93 |
| Steam condenser LC-91 / TR-91 part 3... | 95 |
| Additional boiler components | 97 |
| Additional boiler: electrical components... | 99 |
| DVGW valve | 101 |
| Motorgear components module 900 ... | 103 |
| Washing components 5+3 | 105 |
| Prerinsing components | 107 |
| Prerinsing components | 109 |
| Third rinsing components | 111 |
| System components sanitization | 113 |
| Rinsing components | 115 |
| Rinsing components | 117 |
| Internal components washing module 900... | 119 |
| Internal components rinsing module 600... | 121 |
| Rinsing components | 123 |
| Boiler components | 125 |

| | |
|--|------------|
| Solenoid valves components | 127 |
| Solenoid valves components | 129 |
| Solenoid valves components | 131 |
| Detergent economizer system | 133 |
| Detergent economizer system | 135 |
| Conveyor parts | 137 |
| Splash zone with cilinder LC94..... | 139 |
| Splash zone L500 | 141 |
| Tanks insulation | 143 |
| Double skin..... | 145 |
| Booster pump..... | 147 |
| Dispensers SDN-3 | 149 |
| Angle loading table 90° - LC 98 | 151 |
| Baskets..... | 153 |
| Accessory..... | 155 |
| Centralized drainage components | 157 |

1.1 Voltage codes

| Volt | Voltage code |
|------|-------------------------|
| A | 3/N/PE~380-400V 50-60Hz |
| D | 3/PE~200-210V 50-60Hz |
| F | 2/PE~220-240V 50-60Hz |
| G | 3/N/PE~415V 50-60Hz |
| H | 3/PE~220-230V 50-60Hz |
| K | 3/PE~380-400V 50-60Hz |
| L | 3/PE~415V 50-60Hz |
| M | 3/PE~440V 60Hz |
| P | 1/N/PE~220-230V 50-60Hz |
| R | 2/PE~220-240V 50-60Hz |
| U | 1/N/PE~240V 50-60Hz |
| V | 3/PE~240V 50-60Hz |
| W | 1/N/PE~100-110V 50-60Hz |

1.2 Product codes

| Product code | Full name |
|-----------------|--|
| Model codes | |
| em | ELECTROMECHANICAL SWITCHES |
| e | ELECTRONICAL SWITCHES |
| uw | LOWER AND UPPER WASHER |
| Type codes | |
| 24 | 24 |
| Accessory codes | |
| hr | HEAT RECOVERY - TR98 |
| hp | HEAT PUMP - TR99 |
| sc9 | STEAM CONDENSER - LC 91 |
| csa | CONVEYOR SPEED ADJUSTING - LC 101 |
| 972 | 90°MOTORIZED CHAIN CONVEYOR - LC 97/2 |
| 973 | 180°MOTORIZED CHAIN CONVEYOR - LC 97/3 |
| 974 | DRYER WITH 90° MOTORIZED CHAIN CONVEYOR - LC 97/4 |
| 975 | DRYER WITH 180° MOTORIZED CHAIN CONVEYOR - LC 97/5 |
| d9 | DRYER - LC 90 |
| d92 | DRYER - LC 90/2 |
| d929 | DRYER - LC 90/900 |
| cw | ADDITIONAL BOILER FOR COLD WATER SUPPLY |
| dvgw | DVGW VALVE SYSTEM |
| des | DETERGENT ECONOMIZER SYSTEM |
| szc9 | SPLASH ZONE WITH CILINDER - LC 94 |
| ti | TANK INSULATION |
| ds | DOUBLE SKIN |
| bp | BOOSTER PUMP |
| sdn3 | DISPENSER SYSTEM SDN-3 |

| Product code | Full name |
|--------------|-----------------------------|
| 98 | ANGLE LOADING TABLE - LC 98 |

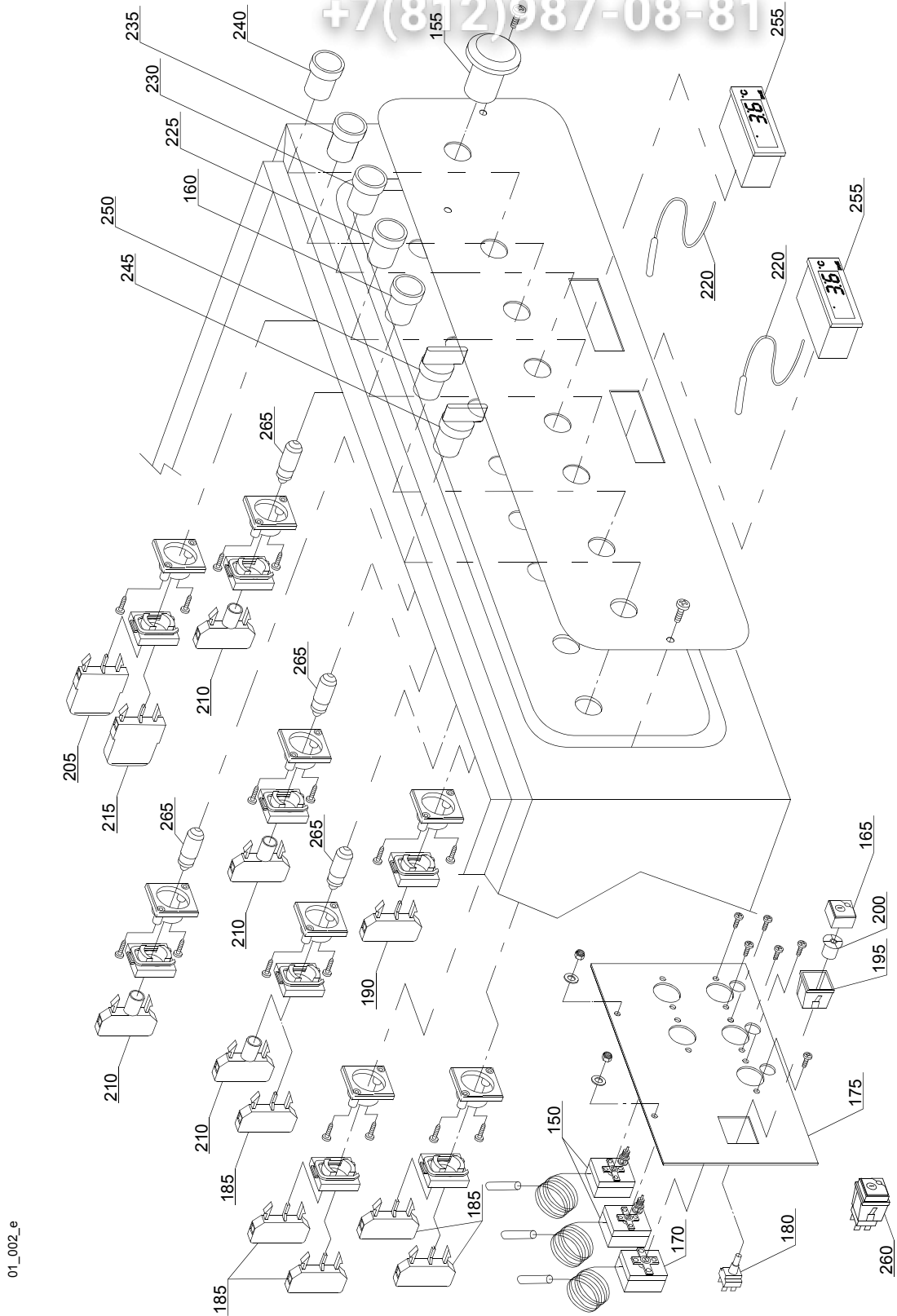
vsezip.ru
+7(812)987-08-81

vsezip.ru

+7(812)987-08-81

vsezip.ru

+7(812)987-08-81



01_002_e

| ID | P-code | SN from | SN to | Mod. | Acces | Volt | Description |
|-----------------------------|---------|---------|-------|---------|-------|------|----------------------------|
| Module:Control Panel | | | | | | | |
| 150 | 2000430 | | - | em,e,uw | | | Safety thermostat |
| 155 | 3002050 | | - | em,e,uw | | | Emergency button |
| 160 | 3002055 | | - | em,e,uw | | | Button red |
| 165 | 15874 | | - | em,e,uw | | | Green main switch |
| 170 | 10707/1 | | - | em,e,uw | | | Thermostat 0 - 90° (TB2) |
| 175 | 3009114 | | - | em,e,uw | | | Assembly plate |
| 180 | 15812 | | - | em,e,uw | | | Starter electric component |
| 185 | 3002054 | | - | em,e,uw | | | Green contact piece (NO) |
| 190 | 3002056 | | - | em,e,uw | | | Red contact piece (NC) |
| 195 | 15815 | | - | em,e,uw | | | Support square single |
| 200 | 15824 | | - | em,e,uw | | | Green-orange cam |
| 205 | 3002051 | | - | em,e,uw | | | 2NO contact (green) |
| 210 | 2000234 | | - | em,e,uw | | | Lamp holder |
| 215 | 3002052 | | - | em,e,uw | | | 2NC contact (red) |
| 220 | 3006121 | | - | em,e,uw | | | Digital thermostat probe |
| 225 | 2000284 | | - | em,e,uw | | | Switch start green |
| 230 | 2000230 | | - | em,e,uw | | | Yellow pillow lamp |
| 235 | 2000231 | | - | em,e,uw | | | Red pillow lamp |
| 240 | 2000232 | | - | em,e,uw | | | Green pillow lamp |
| 245 | 2000310 | | - | em,e,uw | | | Selector ON / OFF |
| 250 | 2000311 | | - | em,e,uw | | | Speed Selector 1-2 |
| 255 | 3006120 | | - | em,e,uw | | | Digital thermostat |
| 260 | 15849 | | - | em,e,uw | | | Switch assembly |
| 265 | 3002068 | | - | em,e,uw | | | Lamp |

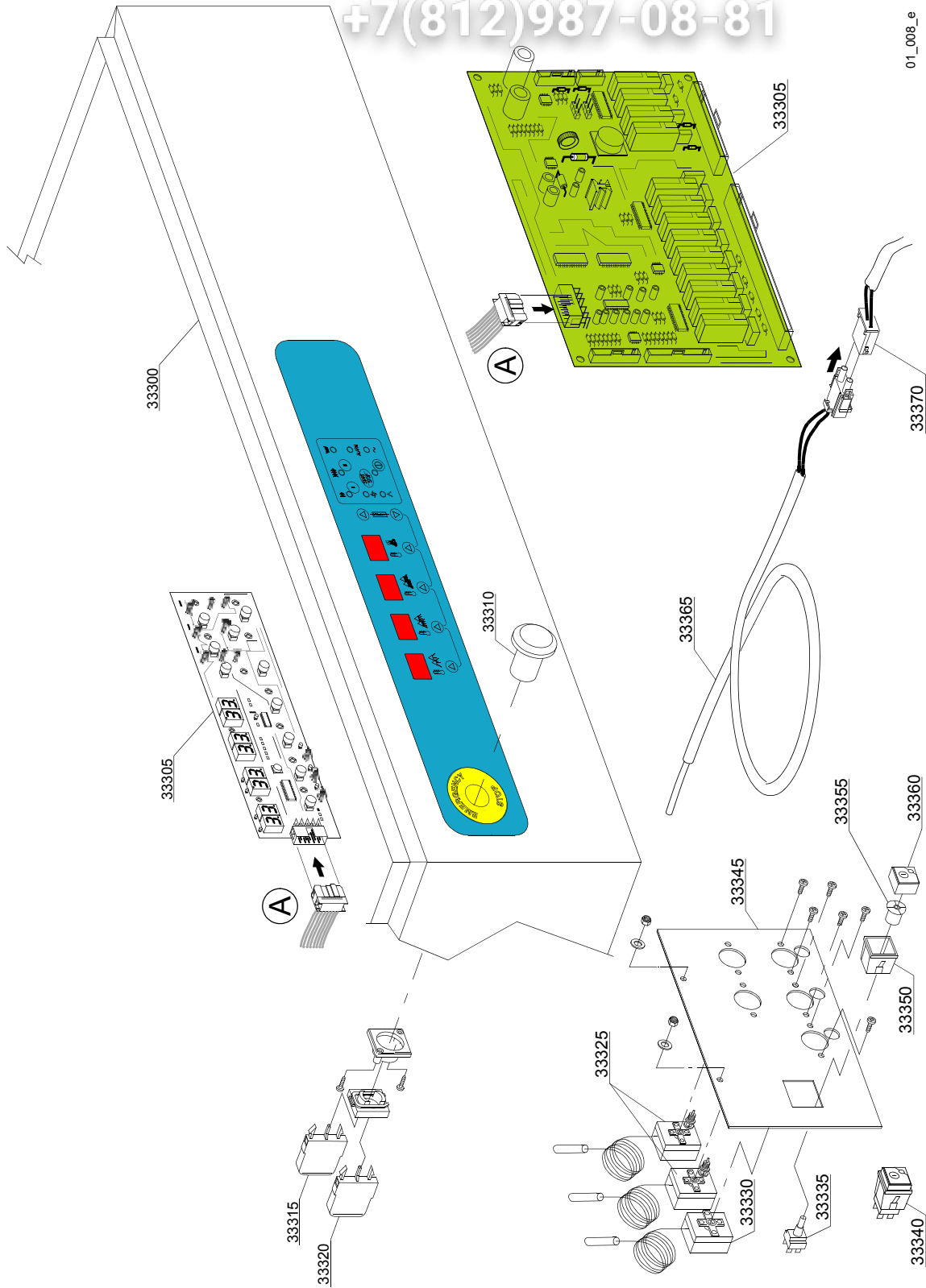
em=ELECTROMECHANICAL SWITCHES, e=ELECTRONICAL SWITCHES, uw=LOWER AND UPPER WASHER
24=24

hr=HEAT RECOVERY - TR98, hp=HEAT PUMP - TR99, sc9=STEAM CONDENSER - LC 91, csa=CONVEYOR SPEED
ADJUSTING - LC 101, 972=90°MOTORIZED CHAIN CONVEYOR - LC 97/2, 973=180°MOTORIZED CHAIN CON-
VEYOR - LC 97/3, 974=DRYER WITH 90° MOTORIZED CHAIN CONVEYOR - LC 97/4, 975=DRYER WITH 180° MO-
TORIZED CHAIN CONVEYOR - LC 97/5, d9=DRYER - LC 90, d92=DRYER - LC 90/2, d929=DRYER - LC 90/900,
cw=ADDITIONAL BOILER FOR COLD WATER SUPPLY, dvgw=DVGW VALVE SYSTEM, des=DETERGENT ECON-
OMIZER SYSTEM, szc9=SPLASH ZONE WITH CILINDER - LC 94, ti=TANK INSULATION, ds=DOUBLE SKIN,
bp=BOOSTER PUMP, sdn3=DISPENSER SYSTEM SDN-3, 98=ANGLE LOADING TABLE - LC 98

A=3/N/PE~380-400V 50-60Hz, D=3/PE~200-210V 50-60Hz, F=2/PE~220-240V 50-60Hz, G=3/N/PE~415V 50-60Hz,
H=3/PE~220-230V 50-60Hz, K=3/PE~380-400V 50-60Hz, L=3/PE~415V 50-60Hz, M=3/PE~440V 60Hz, P=1/N/PE~220-
230V 50-60Hz, R=2/PE~220-240V 50-60Hz, U=1/N/PE~240V 50-60Hz, V=3/PE~240V 50-60Hz, W=1/N/PE~100-110V
50-60Hz

vsezip.ru

+7(812)987-08-81



01_008_e

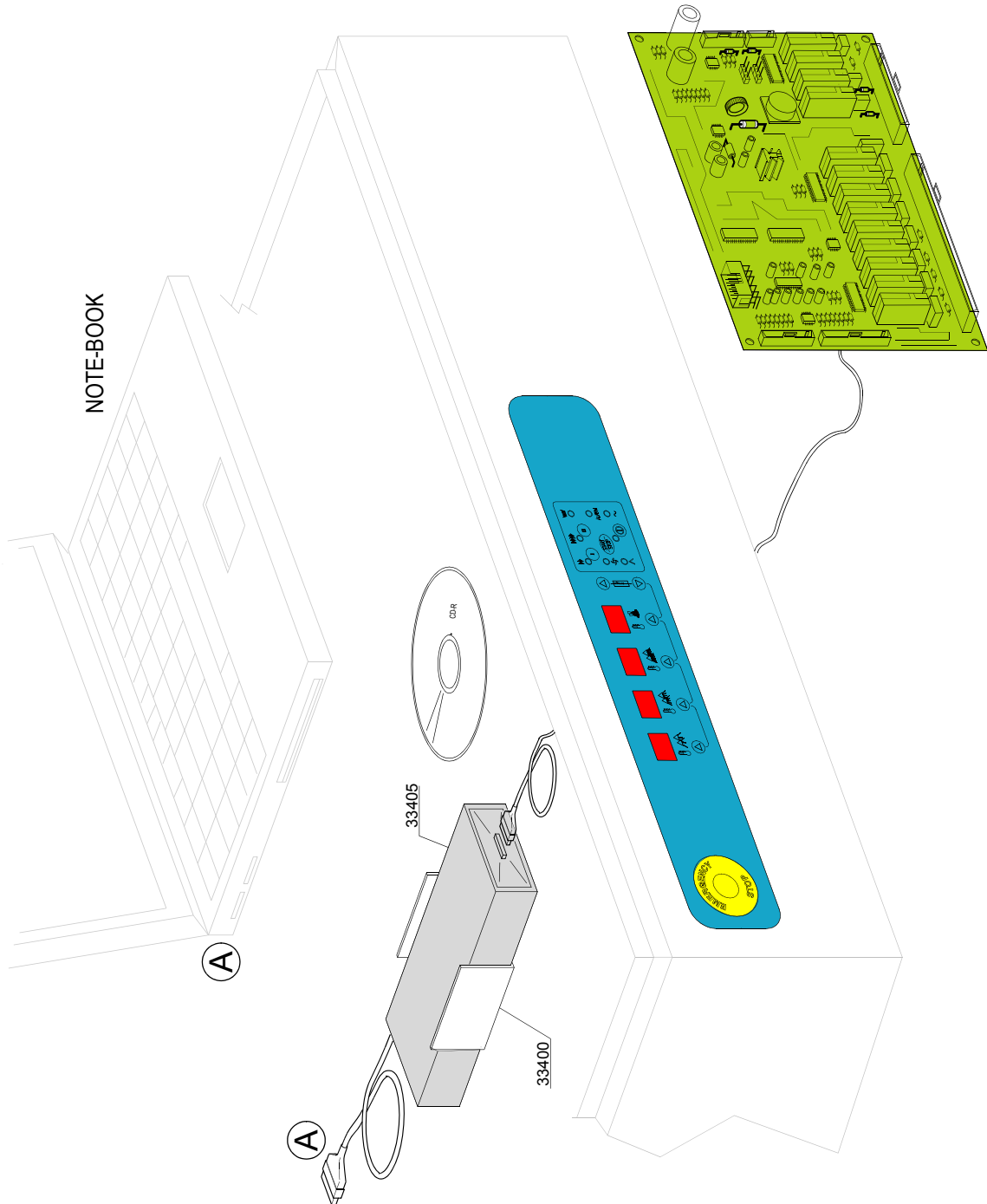
| ID | P-code | SN from | SN to | Mod | Acces. | Volt | Description |
|---|---------|---------|-------|---------|--------|------|------------------------------|
| Module: Control Panel ELECTRONIC | | | | | | | |
| 33300 | 3009672 | | - | em,e,uw | | | Comand parts pannel |
| 33305 | 3006164 | | - | em,e,uw | | | Main board+ Touche sensitive |
| 33310 | 3002050 | | - | em,e,uw | | | Emergency button |
| 33315 | 3002051 | | - | em,e,uw | | | 2NO contact (green) |
| 33320 | 3002052 | | - | em,e,uw | | | 2NC contact (red) |
| 33325 | 2000430 | | - | em,e,uw | | | Safety thermostat |
| 33330 | 10707/1 | | - | em,e,uw | | | Thermostat 0 - 90° (TB2) |
| 33335 | 15812 | | - | em,e,uw | | | Starter electric component |
| 33340 | 15849 | | - | em,e,uw | | | Switch assembly (PM2) |
| 33345 | 3009114 | | - | em,e,uw | | | Assembly plate |
| 33350 | 15815 | | - | em,e,uw | | | Support square single |
| 33355 | 15824 | | - | em,e,uw | | | Green-orange cam |
| 33360 | 15874 | | - | em,e,uw | | | Green main switch |
| 33365 | 3006165 | | - | em,e,uw | | | Termostat probe |
| 33370 | 3006170 | | - | em,e,uw | | | Extend probe thermostat |

em=ELECTROMECHANICAL SWITCHES, e=ELECTRONICAL SWITCHES, uw=LOWER AND UPPER WASHER
24=24

hr=HEAT RECOVERY - TR98, hp=HEAT PUMP - TR99, sc9=STEAM CONDENSER - LC 91, csa=CONVEYOR SPEED
ADJUSTING - LC 101, 972=90°MOTORIZED CHAIN CONVEYOR - LC 97/2, 973=180°MOTORIZED CHAIN CON-
VEYOR - LC 97/3, 974=DRYER WITH 90° MOTORIZED CHAIN CONVEYOR - LC 97/4, 975=DRYER WITH 180° MO-
TORIZED CHAIN CONVEYOR - LC 97/5, d9=DRYER - LC 90, d92=DRYER - LC 90/2, d929=DRYER - LC 90/900,
cw=ADDITIONAL BOILER FOR COLD WATER SUPPLY, dvgw=DVGW VALVE SYSTEM, des=DETERGENT ECON-
OMIZER SYSTEM, szc9=SPLASH ZONE WITH CILINDER - LC 94, ti=TANK INSULATION, ds=DOUBLE SKIN,
bp=BOOSTER PUMP, sdn3=DISPENSER SYSTEM SDN-3, 98=ANGLE LOADING TABLE - LC 98

A=3/N/PE~380-400V 50-60Hz, D=3/PE~200-210V 50-60Hz, F=2/PE~220-240V 50-60Hz, G=3/N/PE~415V 50-60Hz,
H=3/PE~220-230V 50-60Hz, K=3/PE~380-400V 50-60Hz, L=3/PE~415V 50-60Hz, M=3/PE~440V 60Hz, P=1/N/PE~220-
230V 50-60Hz, R=2/PE~220-240V 50-60Hz, U=1/N/PE~240V 50-60Hz, V=3/PE~240V 50-60Hz, W=1/N/PE~100-110V
50-60Hz

01_009_e



vsezip.ru

| ID | P-code | SN from | SN to | Mod. | Acces | Volt | Description |
|--|-----------|---------|-------|---------|-------|------|--------------------------|
| Module:Electronic control HACCP | | | | | | | |
| 33400 | 3060200 | | - | em,e,uw | | | Support DATA-LOGGER |
| 33405 | 999910217 | | - | em,e,uw | | | Kit remote control HACCP |

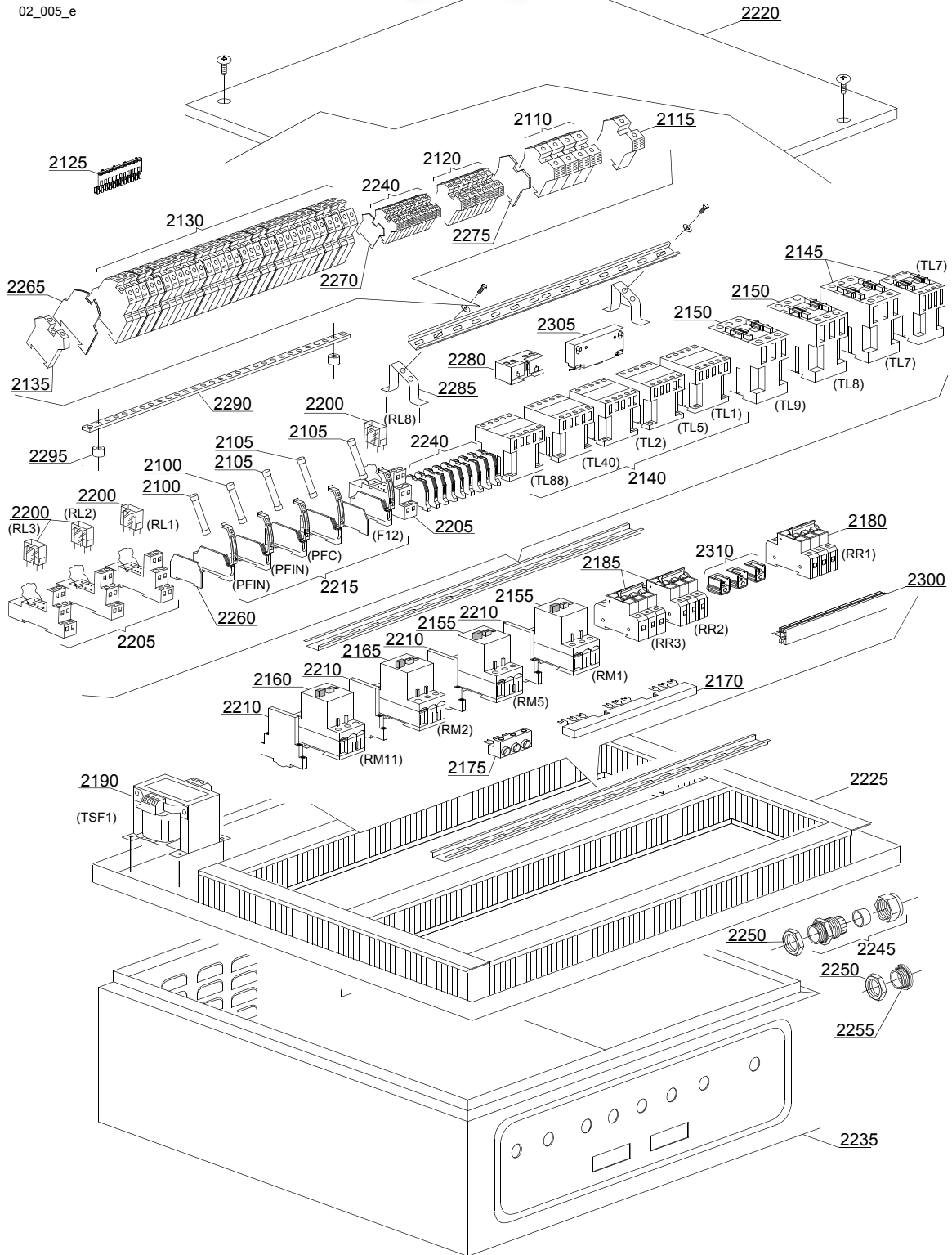
em=ELECTROMECHANICAL SWITCHES, e=ELECTRONICAL SWITCHES, uw=LOWER AND UPPER WASHER
24=24

hr=HEAT RECOVERY - TR98, hp=HEAT PUMP - TR99, sc9=STEAM CONDENSER - LC 91, csa=CONVEYOR SPEED
ADJUSTING - LC 101, 972=90°MOTORIZED CHAIN CONVEYOR - LC 97/2, 973=180°MOTORIZED CHAIN CON-
VEYOR - LC 97/3, 974=DRYER WITH 90° MOTORIZED CHAIN CONVEYOR - LC 97/4, 975=DRYER WITH 180° MO-
TORIZED CHAIN CONVEYOR - LC 97/5, d9=DRYER - LC 90, d92=DRYER - LC 90/2, d929=DRYER - LC 90/900,
cw=ADDITIONAL BOILER FOR COLD WATER SUPPLY, dvgw=DVGW VALVE SYSTEM, des=DETERGENT ECON-
OMIZER SYSTEM, szc9=SPLASH ZONE WITH CILINDER - LC 94, ti=TANK INSULATION, ds=DOUBLE SKIN,
bp=BOOSTER PUMP, sdn3=DISPENSER SYSTEM SDN-3, 98=ANGLE LOADING TABLE - LC 98

A=3/N/PE~380-400V 50-60Hz, D=3/PE~200-210V 50-60Hz, F=2/PE~220-240V 50-60Hz, G=3/N/PE~415V 50-60Hz,
H=3/PE~220-230V 50-60Hz, K=3/PE~380-400V 50-60Hz, L=3/PE~415V 50-60Hz, M=3/PE~440V 60Hz, P=1/N/PE~220-
230V 50-60Hz, R=2/PE~220-240V 50-60Hz, U=1/N/PE~240V 50-60Hz, V=3/PE~240V 50-60Hz, W=1/N/PE~100-110V
50-60Hz

vsezip.ru

+7(812)987-08-81



| ID | P-code | SN from | SN to | Mod. | Acces | Volt | Description |
|------------------------------|----------|---------|-------|---------|-------|------|--|
| Module:Electric parts | | | | | | | |
| 2100 | 15160 | | - | em,e,uw | | A | Fuse 5x20 10A |
| 2105 | 15163 | | - | em,e,uw | | A | Fuse 5x20 1A |
| 2110 | 3006090 | | - | em,e,uw | | A | Clamp 35 mm ² |
| 2115 | 3006091 | | - | em,e,uw | | A | Earth clamp 35 mm ² |
| 2120 | 10300403 | | - | em,e,uw | | A | Clamp 6 mm ² |
| 2125 | 3006066 | | - | em,e,uw | | A | Contactor |
| 2130 | 3006072 | | - | em,e,uw | | A | Double clamp 4 mm ² |
| 2135 | 3006093 | | - | em,e,uw | | A | DIN guide backstop |
| 2140 | 2000370 | | - | em,e,uw | | A | Contactor MC9 |
| 2145 | 2000380 | | - | em,e,uw | | A | Contactor BF12 (heating element < 9 kW) |
| 2145 | 2000385 | | - | em,e,uw | | A | Contactor BF20 (heating element > 9 kW) |
| 2150 | 2000385 | | - | em,e,uw | | A | Contactor BF20 |
| 2155 | 2000390 | | - | em,e,uw | | A | Motorprotector 1 - 1.6A |
| 2160 | 2000393 | | - | em,e,uw | | A | Motorprotector 1,6-2,5A |
| 2165 | 2000400 | | - | em,e,uw | | A | Motorprotector 4-6,3A |
| 2170 | 3006085 | | - | em,e,uw | | A | 2 position electrical contactor LMS25 |
| 2170 | 3006086 | | - | em,e,uw | | A | 3 position electrical contactor LMS25 |
| 2170 | 3006100 | | - | em,e,uw | | A | 4 position electrical contactor LMS25 |
| 2170 | 3006101 | | - | em,e,uw | | A | 5 position electrical contactor LMS25 |
| 2175 | 3006087 | | - | em,e,uw | | A | Clamp |
| 2180 | 2000403 | | - | em,e,uw | | A | Automatic fuse C20 (heating element < 9kW) |
| 2180 | 2000404 | | - | em,e,uw | | A | Automatic fuse C25 (heating element > 9kW) |
| 2185 | 2000403 | | - | em,e,uw | | A | Automatic fuse C20 (heating element < 9kW) |
| 2185 | 2000404 | | - | em,e,uw | | A | Automatic fuse C25 (heating element > 9kW) |
| 2190 | 3006061 | | - | em,e,uw | | A | Transformer 200VA |
| 2200 | 3006078 | | - | em,e,uw | | A | Relay |
| 2205 | 3006079 | | - | em,e,uw | | A | Base for relay |
| 2210 | 3006080 | | - | em,e,uw | | A | Auxiliary contact LMS25 |

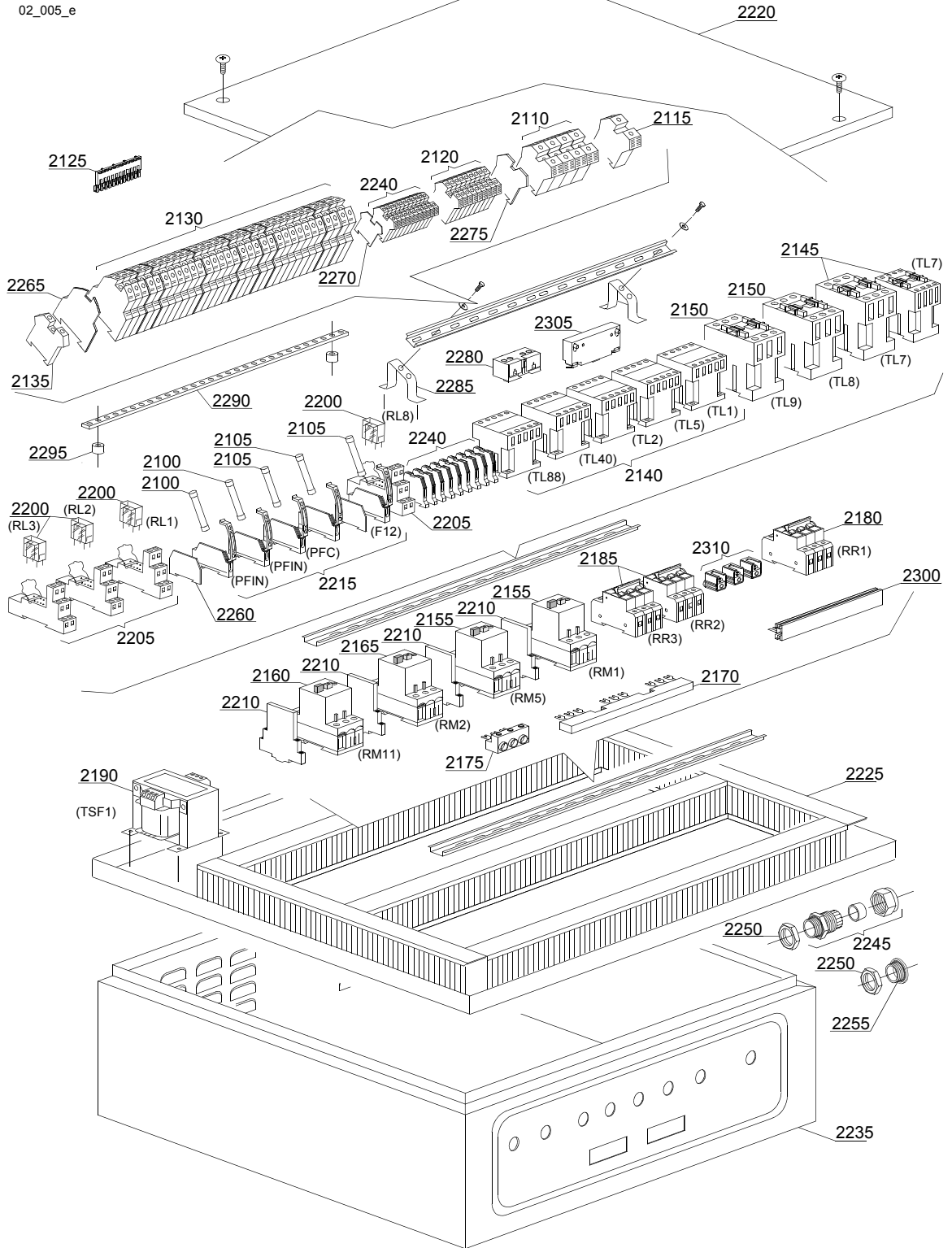
em=ELECTROMECHANICAL SWITCHES, e=ELECTRONICAL SWITCHES, uw=LOWER AND UPPER WASHER
24=24

hr=HEAT RECOVERY - TR98, hp=HEAT PUMP - TR99, sc9=STEAM CONDENSER - LC 91, csa=CONVEYOR SPEED ADJUSTING - LC 101, 972=90°MOTORIZED CHAIN CONVEYOR - LC 97/2, 973=180°MOTORIZED CHAIN CONVEYOR - LC 97/3, 974=DRYER WITH 90° MOTORIZED CHAIN CONVEYOR - LC 97/4, 975=DRYER WITH 180° MOTORIZED CHAIN CONVEYOR - LC 97/5, d9=DRYER - LC 90, d92=DRYER - LC 90/2, d929=DRYER - LC 90/900, cw=ADDITIONAL BOILER FOR COLD WATER SUPPLY, dvgw=DVGW VALVE SYSTEM, des=DETERGENT ECONOMIZER SYSTEM, szc9=SPLASH ZONE WITH CILINDER - LC 94, ti=TANK INSULATION, ds=DOUBLE SKIN, bp=BOOSTER PUMP, sdn3=DISPENSER SYSTEM SDN-3, 98=ANGLE LOADING TABLE - LC 98

A=3/N/PE~380-400V 50-60Hz, D=3/PE~200-210V 50-60Hz, F=2/PE~220-240V 50-60Hz, G=3/N/PE~415V 50-60Hz, H=3/PE~220-230V 50-60Hz, K=3/PE~380-400V 50-60Hz, L=3/PE~415V 50-60Hz, M=3/PE~440V 60Hz, P=1/N/PE~220-230V 50-60Hz, R=2/PE~220-240V 50-60Hz, U=1/N/PE~240V 50-60Hz, V=3/PE~240V 50-60Hz, W=1/N/PE~100-110V 50-60Hz

vsezip.ru

+7(812)987-08-81



| ID | P-code | SN from | SN to | Mod. | Acces. | Volt | Description |
|-------------------------------|---------|---------|-------|---------|--------|------|--|
| Module: Electric parts | | | | | | | |
| 2215 | 3006147 | | - | em,e,uw | | A | Fuse holder |
| 2220 | 3009197 | | - | em,e,uw | | A | Control panel cover |
| 2220 | 3009652 | | - | em,e,uw | | A | Control panel cover |
| 2225 | 3009146 | | - | em,e,uw | | A | Electric parts pannel |
| 2230 | 3009145 | | - | em,e,uw | | A | Comand parts pannel |
| 2235 | 3019030 | | - | em,e,uw | | A | Control panel case |
| 2235 | 3009654 | | - | em,e,uw | | A | Control panel case |
| 2240 | 3006092 | | - | em,e,uw | | A | Clamp 4mm ² |
| 2245 | 80419 | | - | em,e,uw | | A | Cable-fastener PG29 |
| 2250 | 80420 | | - | em,e,uw | | A | Lock nut |
| 2255 | 80421 | | - | em,e,uw | | A | Plug PG29 |
| 2260 | 3006144 | | - | em,e,uw | | A | Fuse holder covering plate |
| 2265 | 3006071 | | - | em,e,uw | | A | Double clamp covering plate 4mm ² |
| 2270 | 3006083 | | - | em,e,uw | | A | Clamp covering plate 4mm ² |
| 2275 | 3006084 | | - | em,e,uw | | A | Clamp covering plate 35mm ² |
| 2280 | 3006068 | | - | em,e,uw | | A | MC9 auxiliary contact 1NO-1NC |
| 2280 | 3002057 | | - | em,e,uw | | A | MC9 auxiliary contact 2NO |
| 2280 | 3002052 | | - | em,e,uw | | A | MC9 auxiliary contact 2NC |
| 2285 | 3006067 | | - | em,e,uw | | A | DIN guide support |
| 2290 | 3006161 | | - | em,e,uw | | A | Electrical bonding bar |
| 2295 | 3006162 | | - | em,e,uw | | A | Insulators |
| 2300 | 3006163 | | - | em,e,uw | | A | Connection bar |
| 2305 | 3006153 | | - | em,e,uw | | A | Mechanical lock safety |
| 2310 | 3006160 | | - | em,e,uw | | A | Feed clamp 35mm ² |

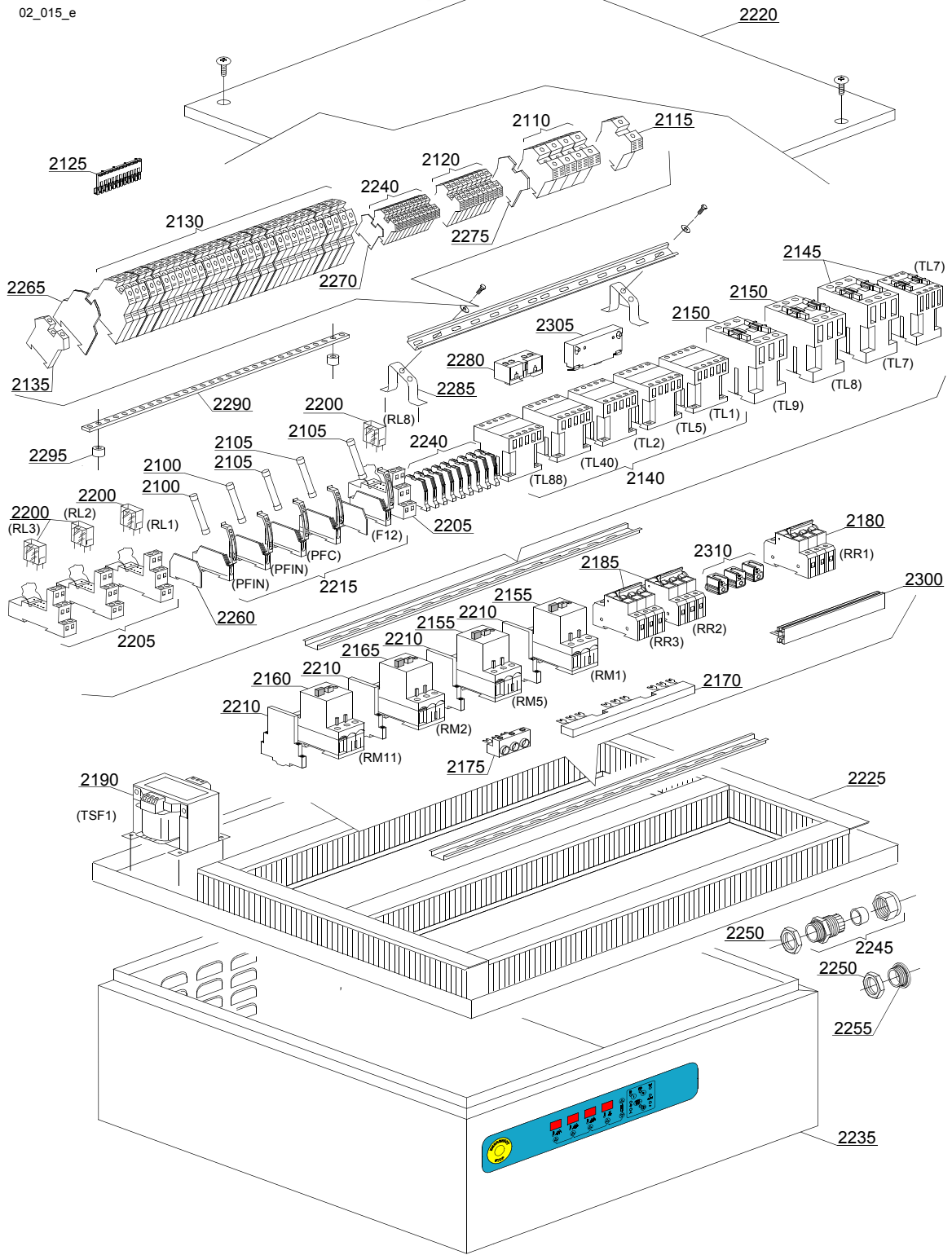
em=ELECTROMECHANICAL SWITCHES, e=ELECTRONICAL SWITCHES, uw=LOWER AND UPPER WASHER
24=24

hr=HEAT RECOVERY - TR98, hp=HEAT PUMP - TR99, sc9=STEAM CONDENSER - LC 91, csa=CONVEYOR SPEED ADJUSTING - LC 101, 972=90°MOTORIZED CHAIN CONVEYOR - LC 97/2, 973=180°MOTORIZED CHAIN CONVEYOR - LC 97/3, 974=DRYER WITH 90° MOTORIZED CHAIN CONVEYOR - LC 97/4, 975=DRYER WITH 180° MOTORIZED CHAIN CONVEYOR - LC 97/5, d9=DRYER - LC 90, d92=DRYER - LC 90/2, d929=DRYER - LC 90/900, cw=ADDITIONAL BOILER FOR COLD WATER SUPPLY, dvgw=DVGW VALVE SYSTEM, des=DETERGENT ECONOMIZER SYSTEM, szc9=SPLASH ZONE WITH CILINDER - LC 94, ti=TANK INSULATION, ds=DOUBLE SKIN, bp=BOOSTER PUMP, sdn3=DISPENSER SYSTEM SDN-3, 98=ANGLE LOADING TABLE - LC 98

A=3/N/PE~380-400V 50-60Hz, D=3/PE~200-210V 50-60Hz, F=2/PE~220-240V 50-60Hz, G=3/N/PE~415V 50-60Hz, H=3/PE~220-230V 50-60Hz, K=3/PE~380-400V 50-60Hz, L=3/PE~415V 50-60Hz, M=3/PE~440V 60Hz, P=1/N/PE~220-230V 50-60Hz, R=2/PE~220-240V 50-60Hz, U=1/N/PE~240V 50-60Hz, V=3/PE~240V 50-60Hz, W=1/N/PE~100-110V 50-60Hz

vsezip.ru

+7(812)987-08-81

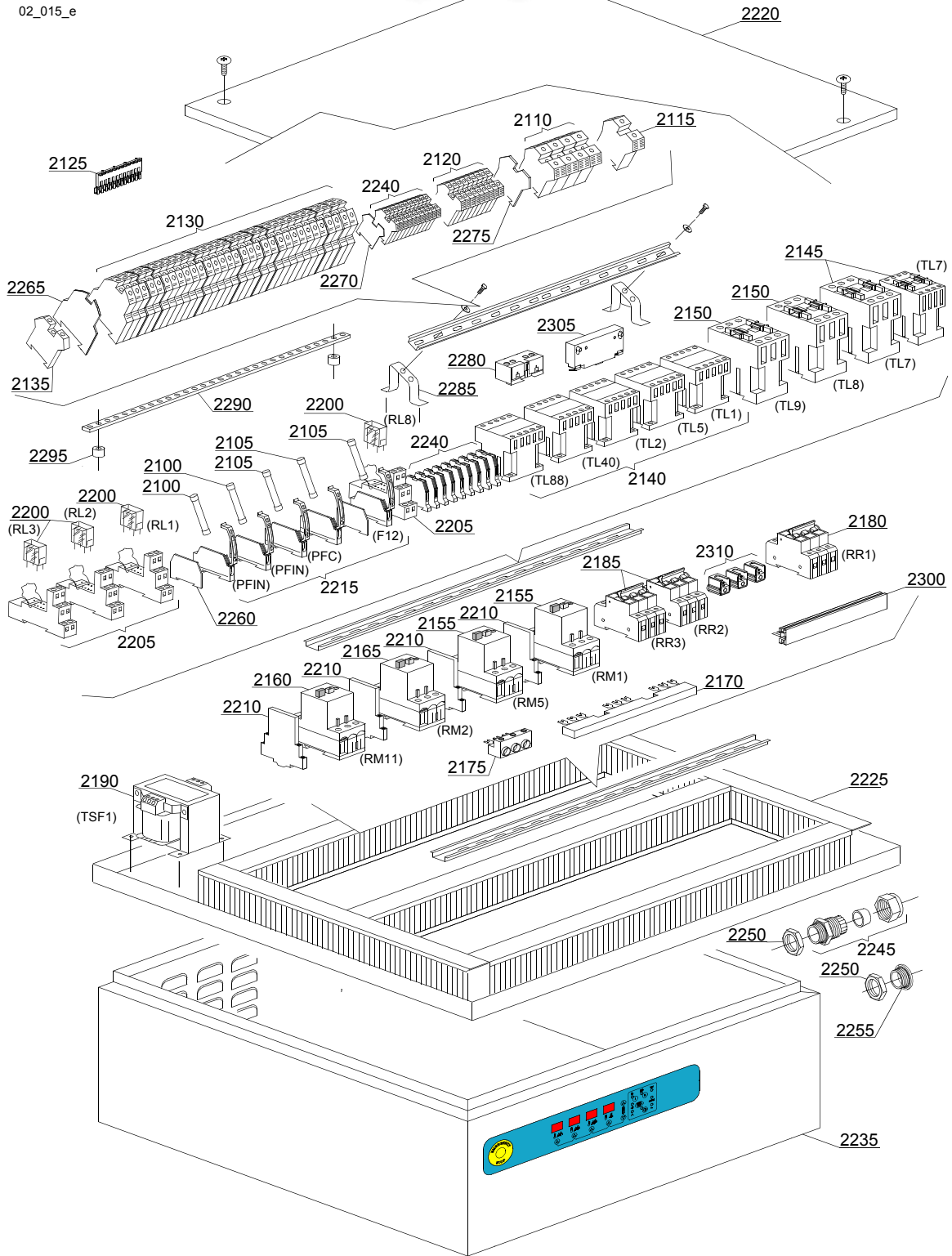


| ID | P-code | SN from | SN to | Mod. | Acces. | Volt | Description |
|-------------------------------|----------|---------|-------|---------|--------|------|--|
| Module: Electric parts | | | | | | | |
| 2100 | 15160 | | - | em,e,uw | | A | Fuse 5x20 10A |
| 2105 | 15163 | | - | em,e,uw | | A | Fuse 5x20 1A |
| 2110 | 3006090 | | - | em,e,uw | | A | Clamp 35 mm ² |
| 2115 | 3006091 | | - | em,e,uw | | A | Earth clamp 35 mm ² |
| 2120 | 10300403 | | - | em,e,uw | | A | Clamp 6 mm ² |
| 2125 | 3006066 | | - | em,e,uw | | A | Contactora |
| 2130 | 3006072 | | - | em,e,uw | | A | Double clamp 4 mm ² |
| 2135 | 3006093 | | - | em,e,uw | | A | DIN guide backstop |
| 2140 | 2000370 | | - | em,e,uw | | A | Contactora MC9 |
| 2145 | 2000380 | | - | em,e,uw | | A | Contactora BF12 (heating element < 9 kW) |
| 2145 | 2000385 | | - | em,e,uw | | A | Contactora BF20 (heating element > 9 kW) |
| 2150 | 2000385 | | - | em,e,uw | | A | Contactora BF20 |
| 2155 | 2000390 | | - | em,e,uw | | A | Motorprotector 1 - 1.6A |
| 2160 | 2000393 | | - | em,e,uw | | A | Motorprotector 1,6-2,5A |
| 2165 | 2000400 | | - | em,e,uw | | A | Motorprotector 4-6,3A |
| 2170 | 3006085 | | - | em,e,uw | | A | 2 position electrical contactora LMS25 |
| 2170 | 3006086 | | - | em,e,uw | | A | 3 position electrical contactora LMS25 |
| 2170 | 3006100 | | - | em,e,uw | | A | 4 position electrical contactora LMS25 |
| 2170 | 3006101 | | - | em,e,uw | | A | 5 position electrical contactora LMS25 |
| 2175 | 3006087 | | - | em,e,uw | | A | Clamp |
| 2180 | 2000403 | | - | em,e,uw | | A | Automatic fuse C20 (heating element < 9kW) |
| 2180 | 2000404 | | - | em,e,uw | | A | Automatic fuse C25 (heating element > 9kW) |
| 2185 | 2000403 | | - | em,e,uw | | A | Automatic fuse C20 (heating element < 9kW) |
| 2185 | 2000404 | | - | em,e,uw | | A | Automatic fuse C25 (heating element > 9kW) |
| 2190 | 3006061 | | - | em,e,uw | | A | Transformer 200VA |
| 2200 | 3006078 | | - | em,e,uw | | A | Relay |
| 2205 | 3006079 | | - | em,e,uw | | A | Base for relay |
| 2210 | 3006080 | | - | em,e,uw | | A | Auxiliary contact LMS25 |

em=ELECTROMECHANICAL SWITCHES, e=ELECTRONICAL SWITCHES, uw=LOWER AND UPPER WASHER
24=24

hr=HEAT RECOVERY - TR98, hp=HEAT PUMP - TR99, sc9=STEAM CONDENSER - LC 91, csa=CONVEYOR SPEED ADJUSTING - LC 101, 972=90°MOTORIZED CHAIN CONVEYOR - LC 97/2, 973=180°MOTORIZED CHAIN CONVEYOR - LC 97/3, 974=DRYER WITH 90° MOTORIZED CHAIN CONVEYOR - LC 97/4, 975=DRYER WITH 180° MOTORIZED CHAIN CONVEYOR - LC 97/5, d9=DRYER - LC 90, d92=DRYER - LC 90/2, d929=DRYER - LC 90/900, cw=ADDITIONAL BOILER FOR COLD WATER SUPPLY, dvgw=DVGW VALVE SYSTEM, des=DETERGENT ECONOMIZER SYSTEM, szc9=SPLASH ZONE WITH CILINDER - LC 94, ti=TANK INSULATION, ds=DOUBLE SKIN, bp=BOOSTER PUMP, sdn3=DISPENSER SYSTEM SDN-3, 98=ANGLE LOADING TABLE - LC 98

A=3/N/PE~380-400V 50-60Hz, D=3/PE~200-210V 50-60Hz, F=2/PE~220-240V 50-60Hz, G=3/N/PE~415V 50-60Hz, H=3/PE~220-230V 50-60Hz, K=3/PE~380-400V 50-60Hz, L=3/PE~415V 50-60Hz, M=3/PE~440V 60Hz, P=1/N/PE~220-230V 50-60Hz, R=2/PE~220-240V 50-60Hz, U=1/N/PE~240V 50-60Hz, V=3/PE~240V 50-60Hz, W=1/N/PE~100-110V 50-60Hz



| ID | P-code | SN from | SN to | Mod. | Acces. | Volt | Description |
|-------------------------------|---------|---------|-------|---------|--------|------|--|
| Module: Electric parts | | | | | | | |
| 2215 | 3006147 | | - | em,e,uw | | A | Fuse holder |
| 2220 | 3009197 | | - | em,e,uw | | A | Control panel cover |
| 2220 | 3009652 | | - | em,e,uw | | A | Control panel cover |
| 2225 | 3009146 | | - | em,e,uw | | A | Electric parts pannel |
| 2230 | 3009145 | | - | em,e,uw | | A | Comand parts pannel |
| 2235 | 3009672 | | - | em,e,uw | | A | Control panel case |
| 2235 | 3009654 | | - | em,e,uw | | A | Control panel case |
| 2240 | 3006092 | | - | em,e,uw | | A | Clamp 4mm ² |
| 2245 | 80419 | | - | em,e,uw | | A | Cable-fastener PG29 |
| 2250 | 80420 | | - | em,e,uw | | A | Lock nut |
| 2255 | 80421 | | - | em,e,uw | | A | Plug PG29 |
| 2260 | 3006144 | | - | em,e,uw | | A | Fuse holder covering plate |
| 2265 | 3006071 | | - | em,e,uw | | A | Double clamp covering plate 4mm ² |
| 2270 | 3006083 | | - | em,e,uw | | A | Clamp covering plate 4mm ² |
| 2275 | 3006084 | | - | em,e,uw | | A | Clamp covering plate 35mm ² |
| 2280 | 3006068 | | - | em,e,uw | | A | MC9 auxiliary contact 1NO-1NC |
| 2280 | 3002057 | | - | em,e,uw | | A | MC9 auxiliary contact 2NO |
| 2280 | 3002052 | | - | em,e,uw | | A | MC9 auxiliary contact 2NC |
| 2285 | 3006067 | | - | em,e,uw | | A | DIN guide support |
| 2290 | 3006161 | | - | em,e,uw | | A | Electrical bonding bar |
| 2295 | 3006162 | | - | em,e,uw | | A | Insulators |
| 2300 | 3006163 | | - | em,e,uw | | A | Connection bar |
| 2305 | 3006153 | | - | em,e,uw | | A | Mechanical lock safety |
| 2310 | 3006160 | | - | em,e,uw | | A | Feed clamp 35mm ² |

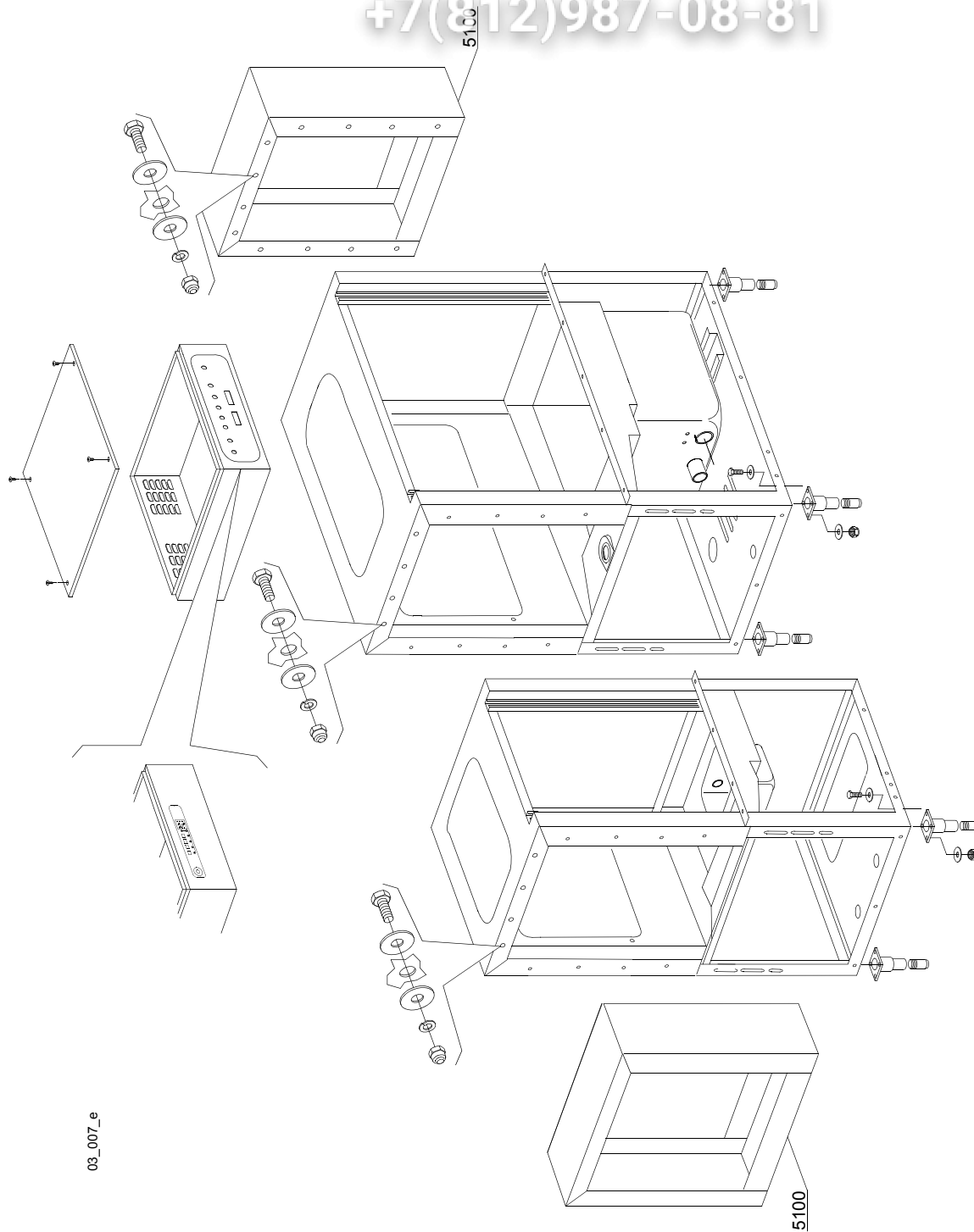
em=ELECTROMECHANICAL SWITCHES, e=ELECTRONICAL SWITCHES, uw=LOWER AND UPPER WASHER
24=24

hr=HEAT RECOVERY - TR98, hp=HEAT PUMP - TR99, sc9=STEAM CONDENSER - LC 91, csa=CONVEYOR SPEED ADJUSTING - LC 101, 972=90°MOTORIZED CHAIN CONVEYOR - LC 97/2, 973=180°MOTORIZED CHAIN CONVEYOR - LC 97/3, 974=DRYER WITH 90° MOTORIZED CHAIN CONVEYOR - LC 97/4, 975=DRYER WITH 180° MOTORIZED CHAIN CONVEYOR - LC 97/5, d9=DRYER - LC 90, d92=DRYER - LC 90/2, d929=DRYER - LC 90/900, cw=ADDITIONAL BOILER FOR COLD WATER SUPPLY, dvgw=DVGW VALVE SYSTEM, des=DETERGENT ECONOMIZER SYSTEM, szc9=SPLASH ZONE WITH CILINDER - LC 94, ti=TANK INSULATION, ds=DOUBLE SKIN, bp=BOOSTER PUMP, sdn3=DISPENSER SYSTEM SDN-3, 98=ANGLE LOADING TABLE - LC 98

A=3/N/PE~380-400V 50-60Hz, D=3/PE~200-210V 50-60Hz, F=2/PE~220-240V 50-60Hz, G=3/N/PE~415V 50-60Hz, H=3/PE~220-230V 50-60Hz, K=3/PE~380-400V 50-60Hz, L=3/PE~415V 50-60Hz, M=3/PE~440V 60Hz, P=1/N/PE~220-230V 50-60Hz, R=2/PE~220-240V 50-60Hz, U=1/N/PE~240V 50-60Hz, V=3/PE~240V 50-60Hz, W=1/N/PE~100-110V 50-60Hz

vsezip.ru

+7(812)987-08-81



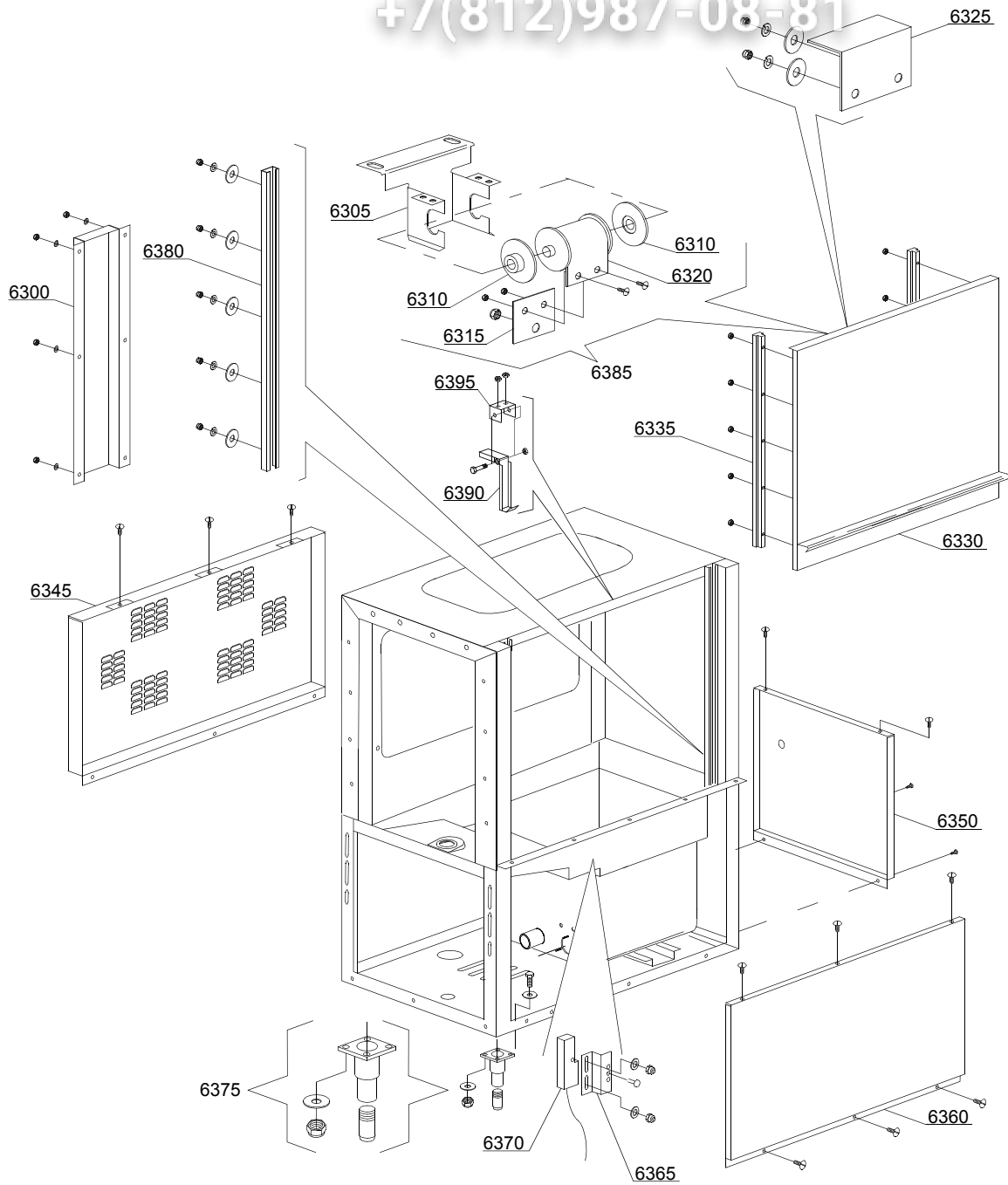
vsezip.ru

| ID | P-code | SN from | SN to | Mod. | Acces. | Volt | Description |
|---|---------|---------|-------|---------|--------|------|-------------|
| Module: Machine structure in modules | | | | | | | |
| 5100 | 3019021 | | - | em,e,uw | | | Splash zone |

em=ELECTROMECHANICAL SWITCHES, e=ELECTRONICAL SWITCHES, uw=LOWER AND UPPER WASHER
24=24

hr=HEAT RECOVERY - TR98, hp=HEAT PUMP - TR99, sc9=STEAM CONDENSER - LC 91, csa=CONVEYOR SPEED
ADJUSTING - LC 101, 972=90°MOTORIZED CHAIN CONVEYOR - LC 97/2, 973=180°MOTORIZED CHAIN CON-
VEYOR - LC 97/3, 974=DRYER WITH 90° MOTORIZED CHAIN CONVEYOR - LC 97/4, 975=DRYER WITH 180° MO-
TORIZED CHAIN CONVEYOR - LC 97/5, d9=DRYER - LC 90, d92=DRYER - LC 90/2, d929=DRYER - LC 90/900,
cw=ADDITIONAL BOILER FOR COLD WATER SUPPLY, dvgw=DVGW VALVE SYSTEM, des=DETERGENT ECON-
OMIZER SYSTEM, szc9=SPLASH ZONE WITH CILINDER - LC 94, ti=TANK INSULATION, ds=DOUBLE SKIN,
bp=BOOSTER PUMP, sdn3=DISPENSER SYSTEM SDN-3, 98=ANGLE LOADING TABLE - LC 98

A=3/N/PE~380-400V 50-60Hz, D=3/PE~200-210V 50-60Hz, F=2/PE~220-240V 50-60Hz, G=3/N/PE~415V 50-60Hz,
H=3/PE~220-230V 50-60Hz, K=3/PE~380-400V 50-60Hz, L=3/PE~415V 50-60Hz, M=3/PE~440V 60Hz, P=1/N/PE~220-
230V 50-60Hz, R=2/PE~220-240V 50-60Hz, U=1/N/PE~240V 50-60Hz, V=3/PE~240V 50-60Hz, W=1/N/PE~100-110V
50-60Hz



03_004_e

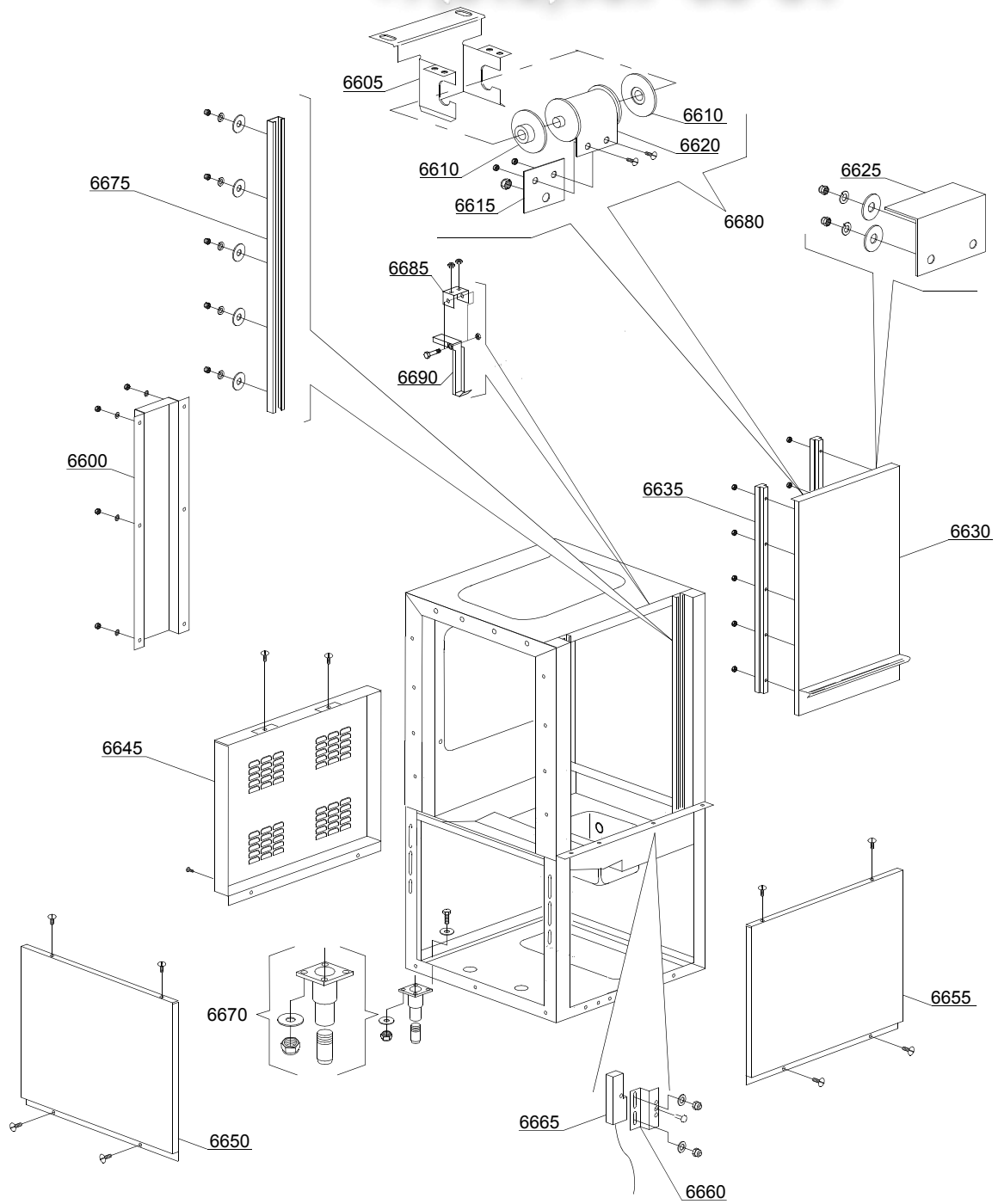
| ID | P-code | SN from | SN to | Mod. | Acces | Volt | Description |
|-----------------------------------|---------|---------|-------|---------|-------|------|-------------------------|
| Module: Washing module 900 | | | | | | | |
| 6300 | 3009336 | | - | em,e,uw | | | Rear cover |
| 6305 | 3009665 | | - | em,e,uw | | | Spring support |
| 6310 | 3004012 | | - | em,e,uw | | | Spring holder |
| 6315 | 3009555 | | - | em,e,uw | | | Spring clamping plate |
| 6320 | 3004013 | | - | em,e,uw | | | Door spring BBSR 22 |
| 6325 | 3009269 | | - | em,e,uw | | | Door stop |
| 6330 | 3009403 | | - | em,e,uw | | | Door assembly |
| 6335 | 3004026 | | - | em,e,uw | | | Door guide |
| 6345 | 3009170 | | - | em,e,uw | | | Rear panel |
| 6350 | 3009189 | | - | em,e,uw | | | Cover left |
| 6350 | 3009188 | | - | em,e,uw | | | Cover right |
| 6360 | 3009147 | | - | em,e,uw | | | Front cover |
| 6365 | 3009112 | | - | em,e,uw | | | Microswitch support |
| 6370 | 3003112 | | - | em,e,uw | | | Door microswitch |
| 6375 | 3004060 | | - | em,e,uw | | | Foot |
| 6380 | 3009033 | | - | em,e,uw | | | Slideways |
| 6385 | 3009906 | | - | em,e,uw | | | Spring assembly BBSR 22 |
| 6390 | 3000323 | | - | em,e,uw | | | Hook door |
| 6395 | 3000324 | | - | em,e,uw | | | Hook support |

em=ELECTROMECHANICAL SWITCHES, e=ELECTRONICAL SWITCHES, uw=LOWER AND UPPER WASHER
24=24

hr=HEAT RECOVERY - TR98, hp=HEAT PUMP - TR99, sc9=STEAM CONDENSER - LC 91, csa=CONVEYOR SPEED
ADJUSTING - LC 101, 972=90°MOTORIZED CHAIN CONVEYOR - LC 97/2, 973=180°MOTORIZED CHAIN CON-
VEYOR - LC 97/3, 974=DRYER WITH 90° MOTORIZED CHAIN CONVEYOR - LC 97/4, 975=DRYER WITH 180° MO-
TORIZED CHAIN CONVEYOR - LC 97/5, d9=DRYER - LC 90, d92=DRYER - LC 90/2, d929=DRYER - LC 90/900,
cw=ADDITIONAL BOILER FOR COLD WATER SUPPLY, dvgw=DVGW VALVE SYSTEM, des=DETERGENT ECON-
OMIZER SYSTEM, szc9=SPLASH ZONE WITH CILINDER - LC 94, ti=TANK INSULATION, ds=DOUBLE SKIN,
bp=BOOSTER PUMP, sdn3=DISPENSER SYSTEM SDN-3, 98=ANGLE LOADING TABLE - LC 98

A=3/N/PE~380-400V 50-60Hz, D=3/PE~200-210V 50-60Hz, F=2/PE~220-240V 50-60Hz, G=3/N/PE~415V 50-60Hz,
H=3/PE~220-230V 50-60Hz, K=3/PE~380-400V 50-60Hz, L=3/PE~415V 50-60Hz, M=3/PE~440V 60Hz, P=1/N/PE~220-
230V 50-60Hz, R=2/PE~220-240V 50-60Hz, U=1/N/PE~240V 50-60Hz, V=3/PE~240V 50-60Hz, W=1/N/PE~100-110V
50-60Hz

03_006_e



| ID | P-code | SN from | SN to | Mod. | Acces | Volt | Description |
|----------------------------------|---------|---------|-------|---------|-------|------|-------------------------|
| Module: Rising module 600 | | | | | | | |
| 6600 | 3009336 | | - | em,e,uw | | | Rear cover |
| 6605 | 3009909 | | - | em,e,uw | | | Spring support |
| 6610 | 3004012 | | - | em,e,uw | | | Spring holder |
| 6615 | 3009555 | | - | em,e,uw | | | Spring clamping plate |
| 6620 | 3004011 | | - | em,e,uw | | | Door spring BBSR 23 |
| 6625 | 3009269 | | - | em,e,uw | | | Door stop |
| 6630 | 3009402 | | - | em,e,uw | | | Door assembly |
| 6635 | 3004026 | | - | em,e,uw | | | Door guide |
| 6640 | 3003958 | | - | em,e,uw | | | Pin |
| 6645 | 3009174 | | - | em,e,uw | | | Rear panel |
| 6650 | 3009188 | | - | em,e,uw | | | Cover left |
| 6650 | 3009189 | | - | em,e,uw | | | Cover right |
| 6655 | 3009178 | | - | em,e,uw | | | Front cover right |
| 6655 | 3009179 | | - | em,e,uw | | | Front cover left |
| 6660 | 3009112 | | - | em,e,uw | | | Microswitch support |
| 6665 | 3003112 | | - | em,e,uw | | | Door microswitch |
| 6670 | 3004060 | | - | em,e,uw | | | Foot |
| 6675 | 3009033 | | - | em,e,uw | | | Slideways |
| 6680 | 3009905 | | - | em,e,uw | | | Spring assembly BBSR 23 |
| 6685 | 3000324 | | - | em,e,uw | | | Hook support |
| 6690 | 3000323 | | - | em,e,uw | | | Hook door |

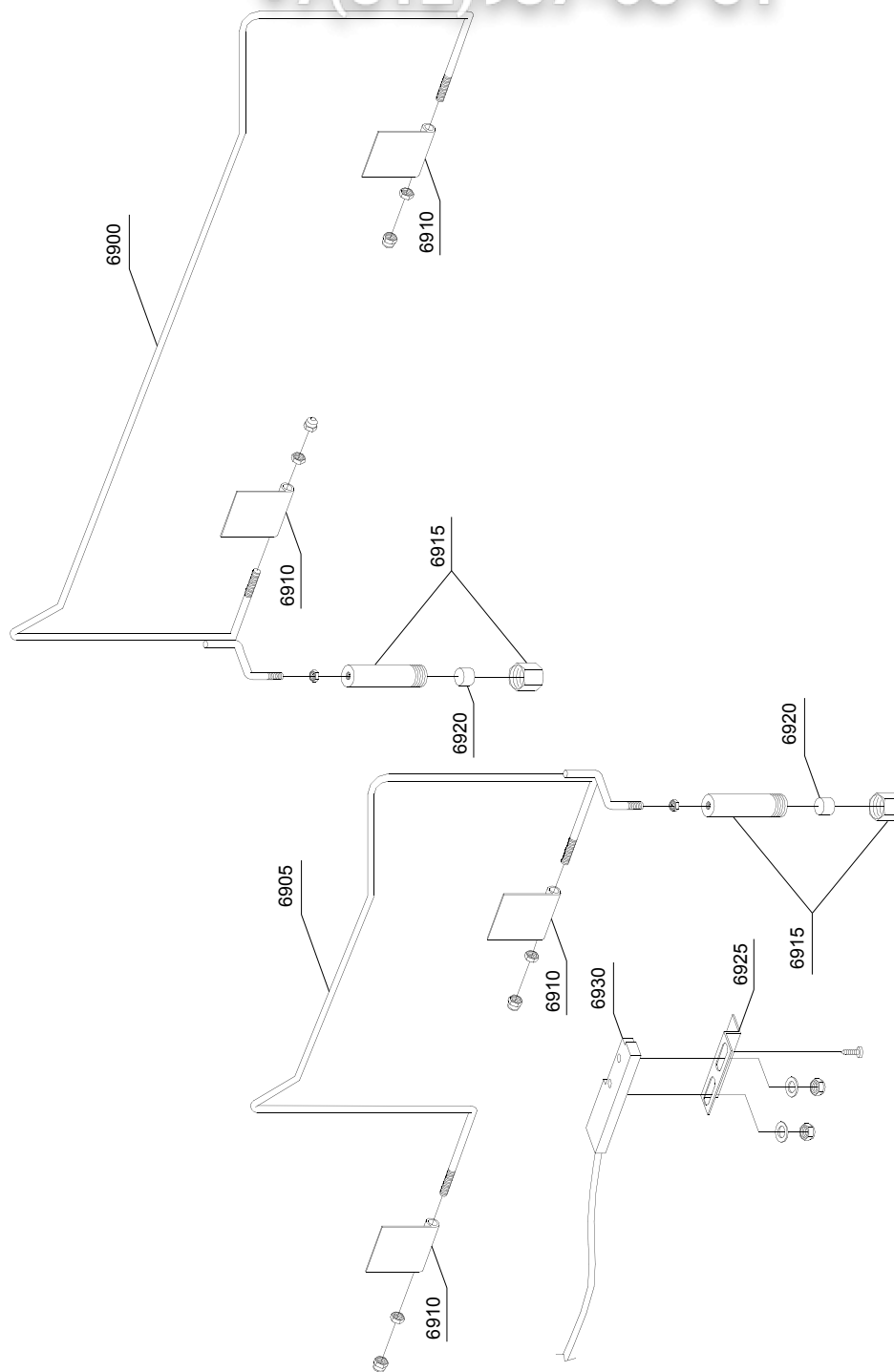
em=ELECTROMECHANICAL SWITCHES, e=ELECTRONICAL SWITCHES, uw=LOWER AND UPPER WASHER
24=24

hr=HEAT RECOVERY - TR98, hp=HEAT PUMP - TR99, sc9=STEAM CONDENSER - LC 91, csa=CONVEYOR SPEED
ADJUSTING - LC 101, 972=90°MOTORIZED CHAIN CONVEYOR - LC 97/2, 973=180°MOTORIZED CHAIN CON-
VEYOR - LC 97/3, 974=DRYER WITH 90° MOTORIZED CHAIN CONVEYOR - LC 97/4, 975=DRYER WITH 180° MO-
TORIZED CHAIN CONVEYOR - LC 97/5, d9=DRYER - LC 90, d92=DRYER - LC 90/2, d929=DRYER - LC 90/900,
cw=ADDITIONAL BOILER FOR COLD WATER SUPPLY, dvgw=DVGW VALVE SYSTEM, des=DETERGENT ECON-
OMIZER SYSTEM, szc9=SPLASH ZONE WITH CILINDER - LC 94, ti=TANK INSULATION, ds=DOUBLE SKIN,
bp=BOOSTER PUMP, sdn3=DISPENSER SYSTEM SDN-3, 98=ANGLE LOADING TABLE - LC 98

A=3/N/PE~380-400V 50-60Hz, D=3/PE~200-210V 50-60Hz, F=2/PE~220-240V 50-60Hz, G=3/N/PE~415V 50-60Hz,
H=3/PE~220-230V 50-60Hz, K=3/PE~380-400V 50-60Hz, L=3/PE~415V 50-60Hz, M=3/PE~440V 60Hz, P=1/N/PE~220-
230V 50-60Hz, R=2/PE~220-240V 50-60Hz, U=1/N/PE~240V 50-60Hz, V=3/PE~240V 50-60Hz, W=1/N/PE~100-110V
50-60Hz

vsezip.ru

+7(812)987-08-81



03_102_e

| ID | P-code | SN from | SN to | Mod. | Acces. | Volt | Description |
|--------------------------------------|---------|---------|-------|---------|--------|------|--------------------------|
| Module: Economizer components | | | | | | | |
| 6900 | 3003074 | | - | em,e,uw | | | Rack switch arm right |
| 6900 | 3003075 | | - | em,e,uw | | | Rack switch arm left |
| 6905 | 3003072 | | - | em,e,uw | | | Rack switch arm right |
| 6905 | 3003073 | | - | em,e,uw | | | Rack switch arm left |
| 6910 | 3003061 | | - | em,e,uw | | | Economizer support |
| 6915 | 3003058 | | - | em,e,uw | | | Magnet holder |
| 6920 | 3003113 | | - | em,e,uw | | | Magnet |
| 6925 | 3009112 | | - | em,e,uw | | | Door microswitch support |
| 6930 | 3003112 | | - | em,e,uw | | | Door microswitch |

em=ELECTROMECHANICAL SWITCHES, e=ELECTRONICAL SWITCHES, uw=LOWER AND UPPER WASHER
24=24

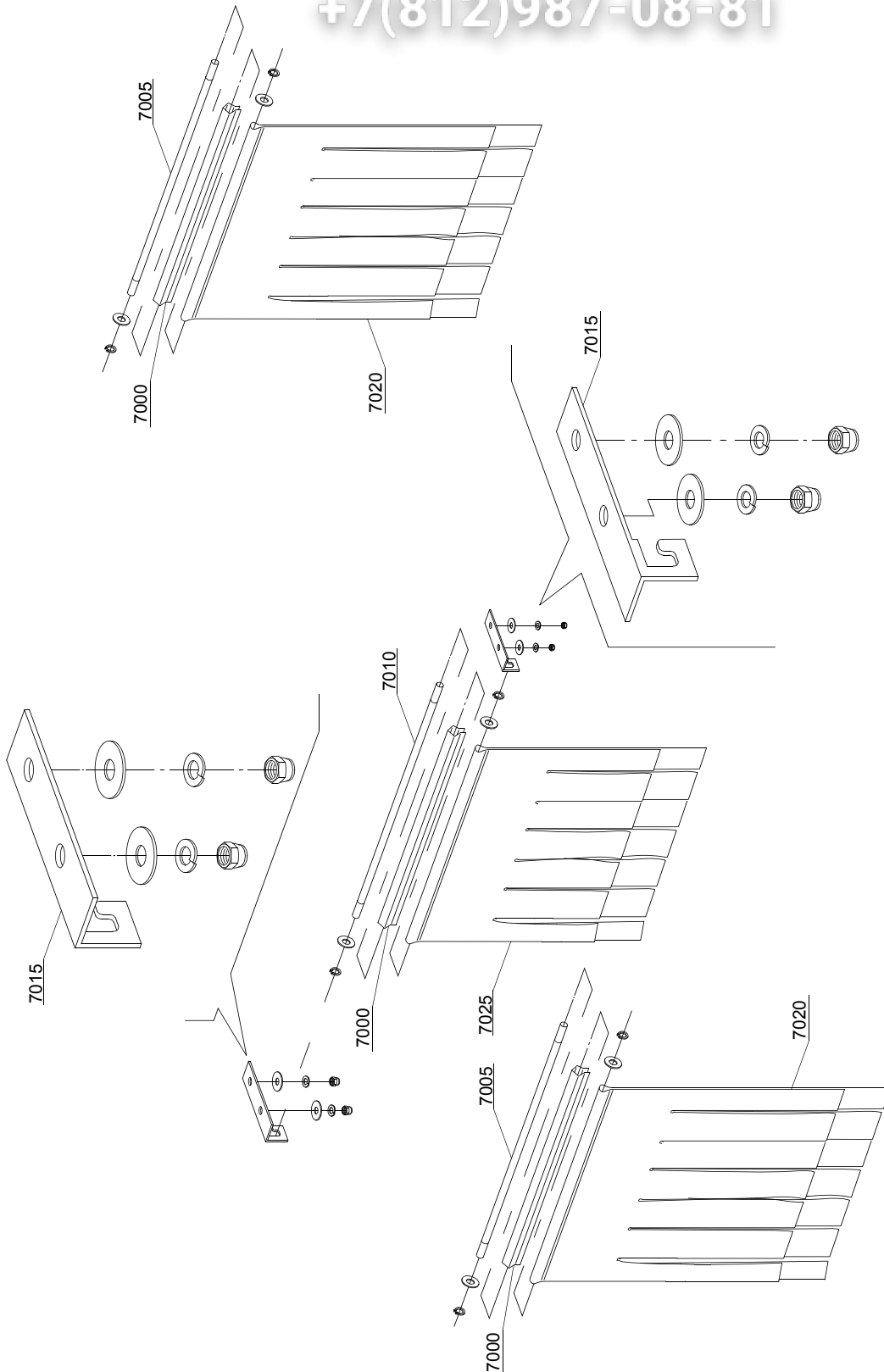
hr=HEAT RECOVERY - TR98, hp=HEAT PUMP - TR99, sc9=STEAM CONDENSER - LC 91, csa=CONVEYOR SPEED
ADJUSTING - LC 101, 972=90°MOTORIZED CHAIN CONVEYOR - LC 97/2, 973=180°MOTORIZED CHAIN CON-
VEYOR - LC 97/3, 974=DRYER WITH 90° MOTORIZED CHAIN CONVEYOR - LC 97/4, 975=DRYER WITH 180° MO-
TORIZED CHAIN CONVEYOR - LC 97/5, d9=DRYER - LC 90, d92=DRYER - LC 90/2, d929=DRYER - LC 90/900,
cw=ADDITIONAL BOILER FOR COLD WATER SUPPLY, dvgw=DVGW VALVE SYSTEM, des=DETERGENT ECON-
OMIZER SYSTEM, szc9=SPLASH ZONE WITH CILINDER - LC 94, ti=TANK INSULATION, ds=DOUBLE SKIN,
bp=BOOSTER PUMP, sdn3=DISPENSER SYSTEM SDN-3, 98=ANGLE LOADING TABLE - LC 98

A=3/N/PE~380-400V 50-60Hz, D=3/PE~200-210V 50-60Hz, F=2/PE~220-240V 50-60Hz, G=3/N/PE~415V 50-60Hz,
H=3/PE~220-230V 50-60Hz, K=3/PE~380-400V 50-60Hz, L=3/PE~415V 50-60Hz, M=3/PE~440V 60Hz, P=1/N/PE~220-
230V 50-60Hz, R=2/PE~220-240V 50-60Hz, U=1/N/PE~240V 50-60Hz, V=3/PE~240V 50-60Hz, W=1/N/PE~100-110V
50-60Hz

vsezip.ru

+7(812)987-08-81

03_201_e



| ID | P-code | SN from | SN to | Mod. | Acces. | Volt | Description |
|--|---------|---------|-------|---------|--------|------|-------------------|
| Module: Curtains group components | | | | | | | |
| 7000 | 3009109 | | - | em,e,uw | | | Curtain moulding |
| 7005 | 3004053 | | - | em,e,uw | | | Curtain rod long |
| 7010 | 3004052 | | - | em,e,uw | | | Curtain rod short |
| 7015 | 3009110 | | - | em,e,uw | | | Curtain support |
| 7020 | 3004050 | | - | em,e,uw | | | Curtain long |
| 7025 | 3004051 | | - | em,e,uw | | | Curtain short |

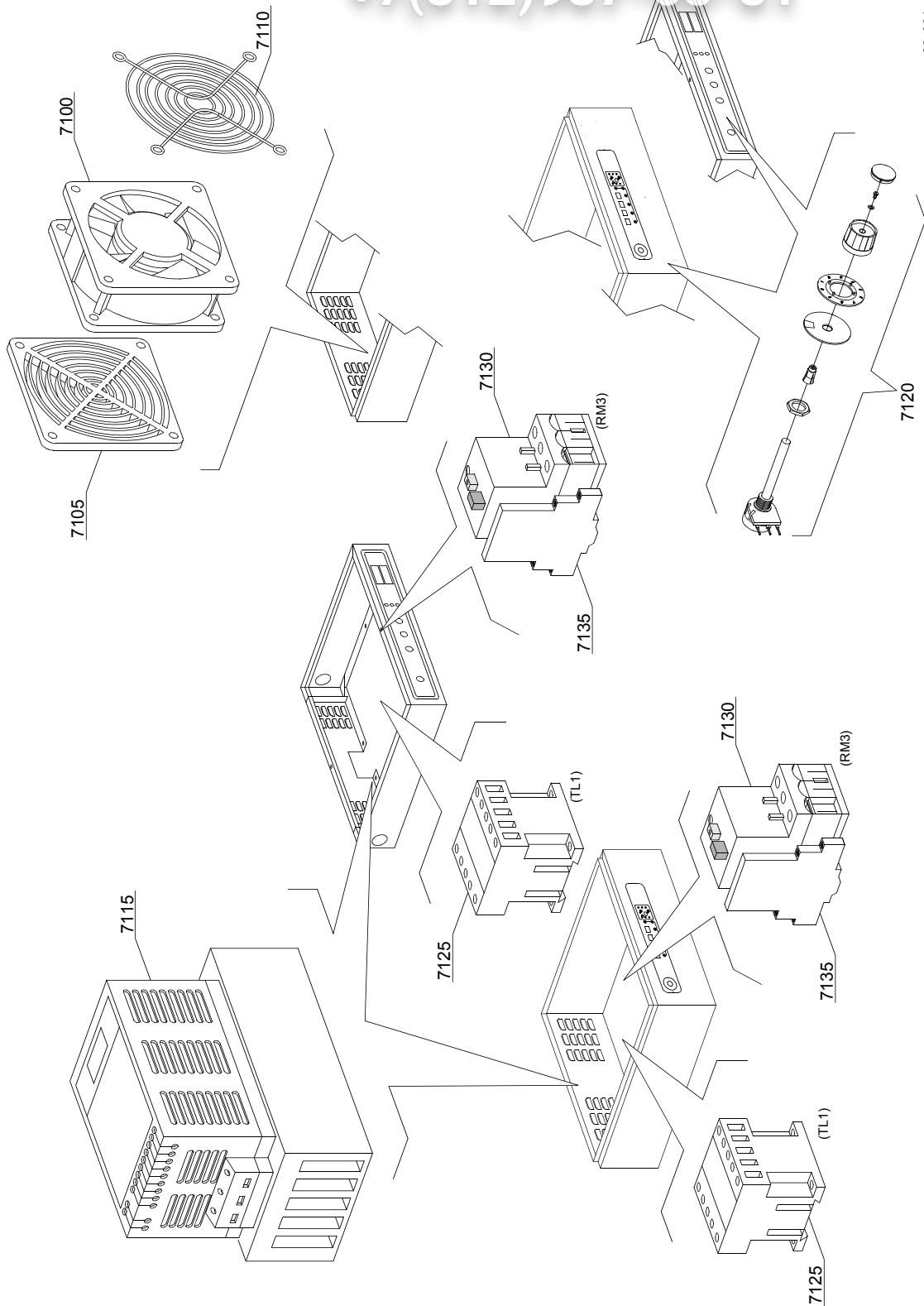
em=ELECTROMECHANICAL SWITCHES, e=ELECTRONICAL SWITCHES, uw=LOWER AND UPPER WASHER
24=24

hr=HEAT RECOVERY - TR98, hp=HEAT PUMP - TR99, sc9=STEAM CONDENSER - LC 91, csa=CONVEYOR SPEED ADJUSTING - LC 101, 972=90°MOTORIZED CHAIN CONVEYOR - LC 97/2, 973=180°MOTORIZED CHAIN CONVEYOR - LC 97/3, 974=DRYER WITH 90° MOTORIZED CHAIN CONVEYOR - LC 97/4, 975=DRYER WITH 180° MOTORIZED CHAIN CONVEYOR - LC 97/5, d9=DRYER - LC 90, d92=DRYER - LC 90/2, d929=DRYER - LC 90/900, cw=ADDITIONAL BOILER FOR COLD WATER SUPPLY, dvgw=DVGW VALVE SYSTEM, des=DETERGENT ECONOMIZER SYSTEM, szc9=SPLASH ZONE WITH CILINDER - LC 94, ti=TANK INSULATION, ds=DOUBLE SKIN, bp=BOOSTER PUMP, sdn3=DISPENSER SYSTEM SDN-3, 98=ANGLE LOADING TABLE - LC 98

A=3/N/PE~380-400V 50-60Hz, D=3/PE~200-210V 50-60Hz, F=2/PE~220-240V 50-60Hz, G=3/N/PE~415V 50-60Hz, H=3/PE~220-230V 50-60Hz, K=3/PE~380-400V 50-60Hz, L=3/PE~415V 50-60Hz, M=3/PE~440V 60Hz, P=1/N/PE~220-230V 50-60Hz, R=2/PE~220-240V 50-60Hz, U=1/N/PE~240V 50-60Hz, V=3/PE~240V 50-60Hz, W=1/N/PE~100-110V 50-60Hz

vsezip.ru

+7(812)987-08-81



06_001_e

| ID | P-code | SN from | SN to | Mod. | Acces | Volt | Description |
|-------------------------|-----------|---------|-------|---------|-------|------|-------------------------|
| Module: Inverter | | | | | | | |
| 7100 | 3000118 | | - | em,e,uw | | A | Impeller fan |
| 7105 | 3000118/A | | - | em,e,uw | | A | Filter |
| 7110 | 3000118/B | | - | em,e,uw | | A | Grid |
| 7115 | 3000117 | | - | em,e,uw | | A | Inverter 0,37kW |
| 7120 | 3000119 | | - | em,e,uw | | A | Potentiometer with knob |
| 7125 | 2000370 | | - | em,e,uw | | A | Contactora MC9 |
| 7130 | 2000400 | | - | em,e,uw | | A | Motorprotector 4-6,3A |
| 7135 | 3006080 | | - | em,e,uw | | A | Auxiliary contact LMS25 |

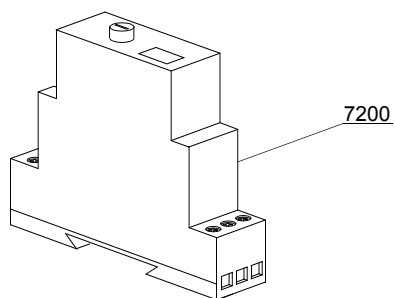
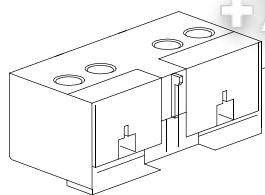
em=ELECTROMECHANICAL SWITCHES, e=ELECTRONICAL SWITCHES, uw=LOWER AND UPPER WASHER
24=24

hr=HEAT RECOVERY - TR98, hp=HEAT PUMP - TR99, sc9=STEAM CONDENSER - LC 91, csa=CONVEYOR SPEED
ADJUSTING - LC 101, 972=90°MOTORIZED CHAIN CONVEYOR - LC 97/2, 973=180°MOTORIZED CHAIN CON-
VEYOR - LC 97/3, 974=DRYER WITH 90° MOTORIZED CHAIN CONVEYOR - LC 97/4, 975=DRYER WITH 180° MO-
TORIZED CHAIN CONVEYOR - LC 97/5, d9=DRYER - LC 90, d92=DRYER - LC 90/2, d929=DRYER - LC 90/900,
cw=ADDITIONAL BOILER FOR COLD WATER SUPPLY, dvgw=DVGW VALVE SYSTEM, des=DETERGENT ECON-
OMIZER SYSTEM, szc9=SPLASH ZONE WITH CILINDER - LC 94, ti=TANK INSULATION, ds=DOUBLE SKIN,
bp=BOOSTER PUMP, sdn3=DISPENSER SYSTEM SDN-3, 98=ANGLE LOADING TABLE - LC 98

A=3/N/PE~380-400V 50-60Hz, D=3/PE~200-210V 50-60Hz, F=2/PE~220-240V 50-60Hz, G=3/N/PE~415V 50-60Hz,
H=3/PE~220-230V 50-60Hz, K=3/PE~380-400V 50-60Hz, L=3/PE~415V 50-60Hz, M=3/PE~440V 60Hz, P=1/N/PE~220-
230V 50-60Hz, R=2/PE~220-240V 50-60Hz, U=1/N/PE~240V 50-60Hz, V=3/PE~240V 50-60Hz, W=1/N/PE~100-110V
50-60Hz

vsezip.ru

+7(812)987-08-81



07_001_e

vsezip.ru

| ID | P-code | SN from | SN to | Mod | Acces. | Volt | Description |
|---------------------------|---------|---------|-------|---------|--------|------|-------------------------------|
| Module: Time relay | | | | | | | |
| 7200 | 3006226 | | - | em,e,uw | | A | Time relay 24V |
| 7200 | 3006226 | | - | em,e,uw | | A | Time relay 24V |
| 7205 | 3006068 | | - | em,e,uw | | A | MC9 auxiliary contact 1NO-1NC |
| 7205 | 3002057 | | - | em,e,uw | | A | MC9 auxiliary contact 2NO |
| 7205 | 3002052 | | - | em,e,uw | | A | MC9 auxiliary contact 2NC |

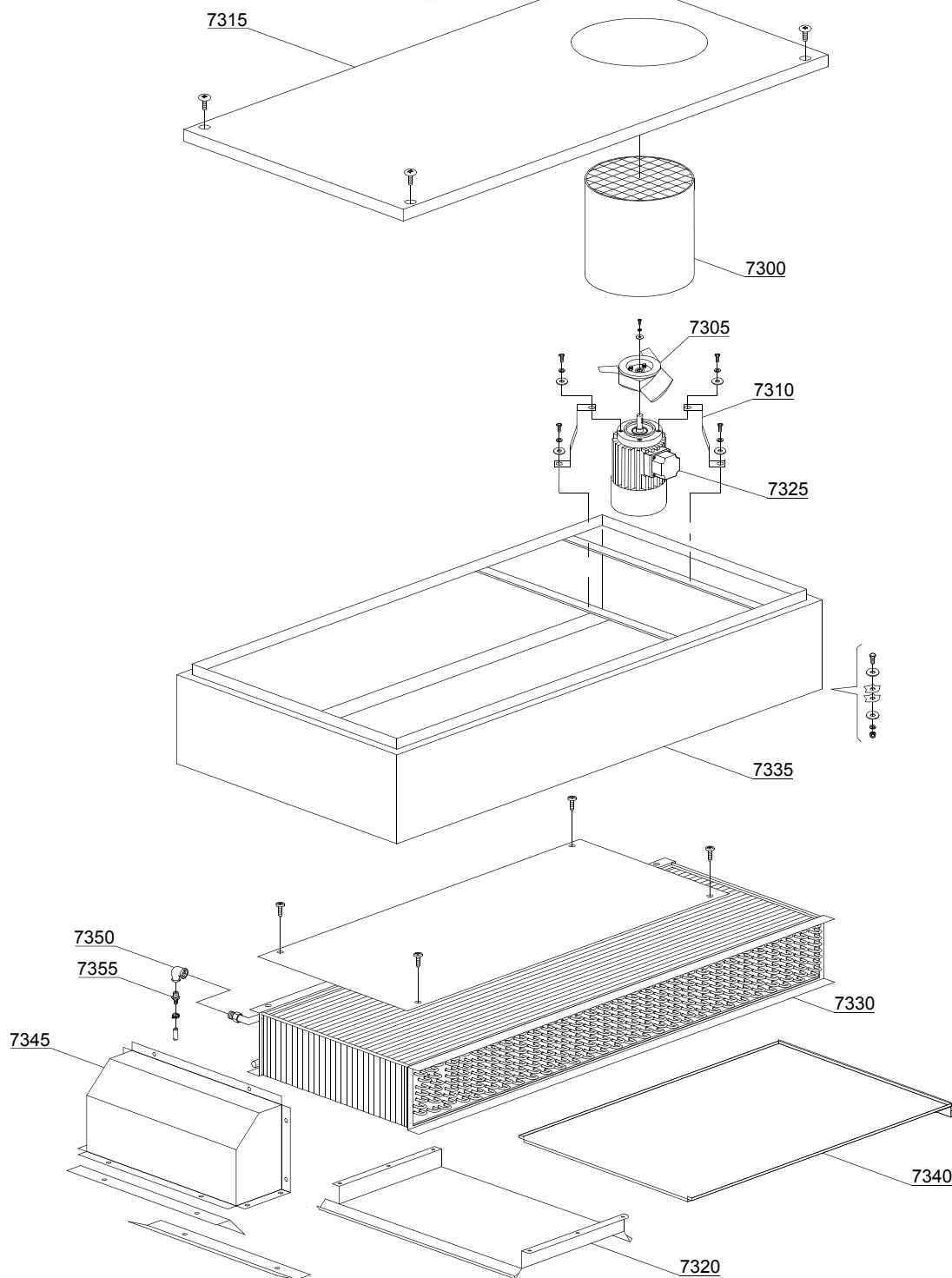
em=ELECTROMECHANICAL SWITCHES, e=ELECTRONICAL SWITCHES, uw=LOWER AND UPPER WASHER
24=24

hr=HEAT RECOVERY - TR98, hp=HEAT PUMP - TR99, sc9=STEAM CONDENSER - LC 91, csa=CONVEYOR SPEED
ADJUSTING - LC 101, 972=90°MOTORIZED CHAIN CONVEYOR - LC 97/2, 973=180°MOTORIZED CHAIN CON-
VEYOR - LC 97/3, 974=DRYER WITH 90° MOTORIZED CHAIN CONVEYOR - LC 97/4, 975=DRYER WITH 180° MO-
TORIZED CHAIN CONVEYOR - LC 97/5, d9=DRYER - LC 90, d92=DRYER - LC 90/2, d929=DRYER - LC 90/900,
cw=ADDITIONAL BOILER FOR COLD WATER SUPPLY, dvgw=DVGW VALVE SYSTEM, des=DETERGENT ECON-
OMIZER SYSTEM, szc9=SPLASH ZONE WITH CILINDER - LC 94, ti=TANK INSULATION, ds=DOUBLE SKIN,
bp=BOOSTER PUMP, sdn3=DISPENSER SYSTEM SDN-3, 98=ANGLE LOADING TABLE - LC 98
A=3/N/PE~380-400V 50-60Hz, D=3/PE~200-210V 50-60Hz, F=2/PE~220-240V 50-60Hz, G=3/N/PE~415V 50-60Hz,
H=3/PE~220-230V 50-60Hz, K=3/PE~380-400V 50-60Hz, L=3/PE~415V 50-60Hz, M=3/PE~440V 60Hz, P=1/N/PE~220-
230V 50-60Hz, R=2/PE~220-240V 50-60Hz, U=1/N/PE~240V 50-60Hz, V=3/PE~240V 50-60Hz, W=1/N/PE~100-110V
50-60Hz

vsezip.ru

+7(812)987-08-81

09_001_e



vsezip.ru

| ID | P-code | SN from | SN to | Mod. | Acces. | Volt | Description |
|--|---------|---------|-------|---------|--------|------|---------------------------------|
| Module: Heat recovery TR98 - part 1 | | | | | | | |
| 7300 | 3009499 | | - | em,e,uw | | | Chimney |
| 7305 | 3000125 | | - | em,e,uw | | | Impeller fan |
| 7310 | 3009106 | | - | em,e,uw | | | Motor holder |
| 7315 | 3009318 | | - | em,e,uw | | | Cover TR98 |
| 7320 | 3009090 | | - | em,e,uw | | | Suction group |
| 7325 | 3000120 | | - | em,e,uw | | A | Motor - 0,18KW 4P 230/400V 50HZ |
| 7330 | 3000151 | | - | em,e,uw | | | Heating recovery battery |
| 7335 | 3009498 | | - | em,e,uw | | | Complete body |
| 7340 | 3009501 | | - | em,e,uw | | | Tray |
| 7345 | 3009500 | | - | em,e,uw | | | Cope |
| 7350 | 3002138 | | - | em,e,uw | | | Elbow |
| 7355 | 12023 | | - | em,e,uw | | | Hose holder |

em=ELECTROMECHANICAL SWITCHES, e=ELECTRONICAL SWITCHES, uw=LOWER AND UPPER WASHER
24=24

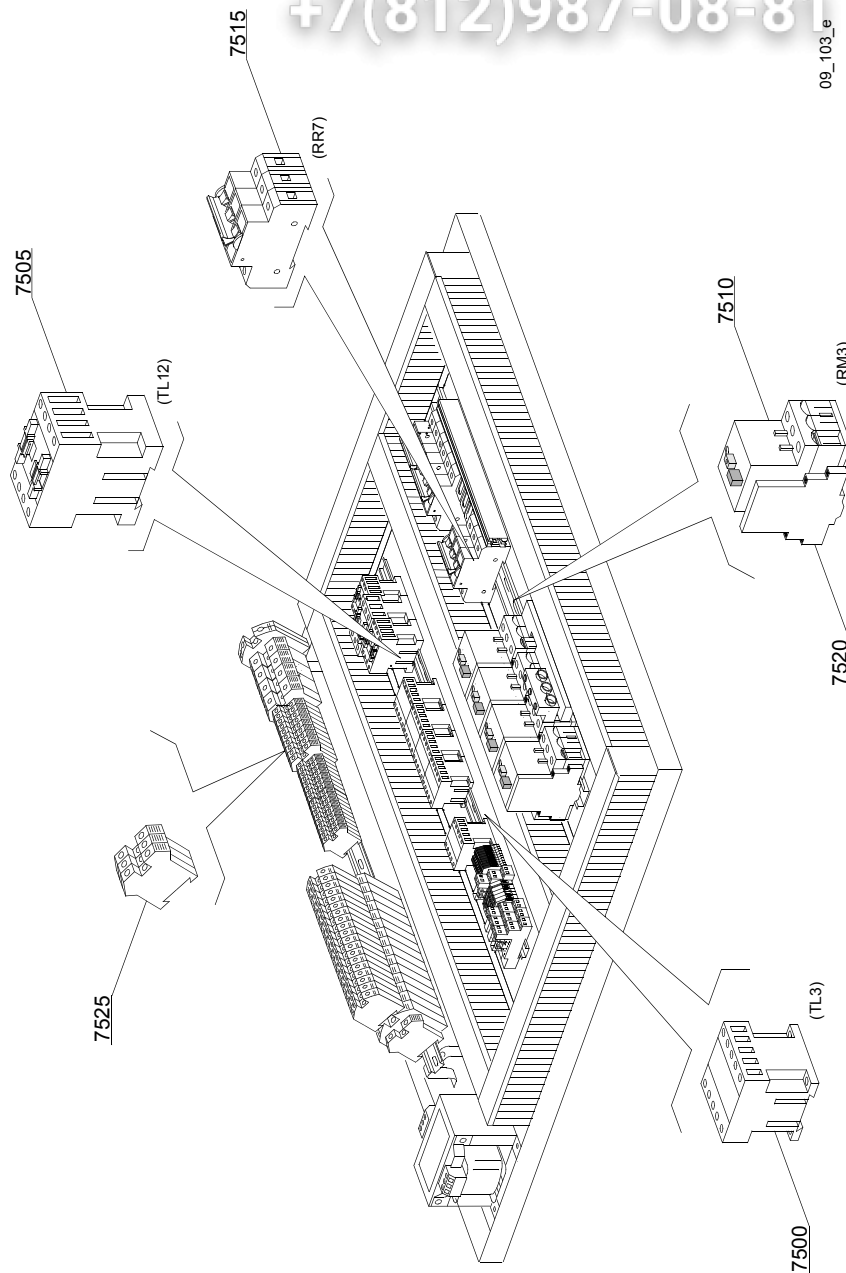
hr=HEAT RECOVERY - TR98, hp=HEAT PUMP - TR99, sc9=STEAM CONDENSER - LC 91, csa=CONVEYOR SPEED
ADJUSTING - LC 101, 972=90°MOTORIZED CHAIN CONVEYOR - LC 97/2, 973=180°MOTORIZED CHAIN CON-
VEYOR - LC 97/3, 974=DRYER WITH 90° MOTORIZED CHAIN CONVEYOR - LC 97/4, 975=DRYER WITH 180° MO-
TORIZED CHAIN CONVEYOR - LC 97/5, d9=DRYER - LC 90, d92=DRYER - LC 90/2, d929=DRYER - LC 90/900,
cw=ADDITIONAL BOILER FOR COLD WATER SUPPLY, dvgw=DVGW VALVE SYSTEM, des=DETERGENT ECON-
OMIZER SYSTEM, szc9=SPLASH ZONE WITH CILINDER - LC 94, ti=TANK INSULATION, ds=DOUBLE SKIN,
bp=BOOSTER PUMP, sdn3=DISPENSER SYSTEM SDN-3, 98=ANGLE LOADING TABLE - LC 98

A=3/N/PE~380-400V 50-60Hz, D=3/PE~200-210V 50-60Hz, F=2/PE~220-240V 50-60Hz, G=3/N/PE~415V 50-60Hz,
H=3/PE~220-230V 50-60Hz, K=3/PE~380-400V 50-60Hz, L=3/PE~415V 50-60Hz, M=3/PE~440V 60Hz, P=1/N/PE~220-
230V 50-60Hz, R=2/PE~220-240V 50-60Hz, U=1/N/PE~240V 50-60Hz, V=3/PE~240V 50-60Hz, W=1/N/PE~100-110V
50-60Hz

vsezip.ru

+7(812)987-08-81

09_103_e



| ID | P-code | SN from | SN to | Mod | Acces. | Volt | Description |
|--|----------|---------|-------|---------|--------|------|---|
| Module: Heat recovery TR98 - part 2 | | | | | | | |
| 7500 | 2000370 | | - | em,e,uw | | A | Contactora MC9 |
| 7505 | 2000380 | | - | em,e,uw | | A | Contactora BF12 (heating element < 9 kW) |
| 7505 | 2000385 | | - | em,e,uw | | A | Contactora BF20 (heating element > 9 kW) |
| 7510 | 2000390 | | - | em,e,uw | | A | Motorprotector 1 - 1.6A |
| 7515 | 2000403 | | - | em,e,uw | | A | Automatic fuse C20 (heating element < 9 kW) |
| 7515 | 2000404 | | - | em,e,uw | | A | Automatic fuse C25 (heating element > 9 kW) |
| 7520 | 3006080 | | - | em,e,uw | | A | Auxiliary contact LMS25 |
| 7525 | 10300403 | | - | em,e,uw | | A | Clamp 6 mm ² |

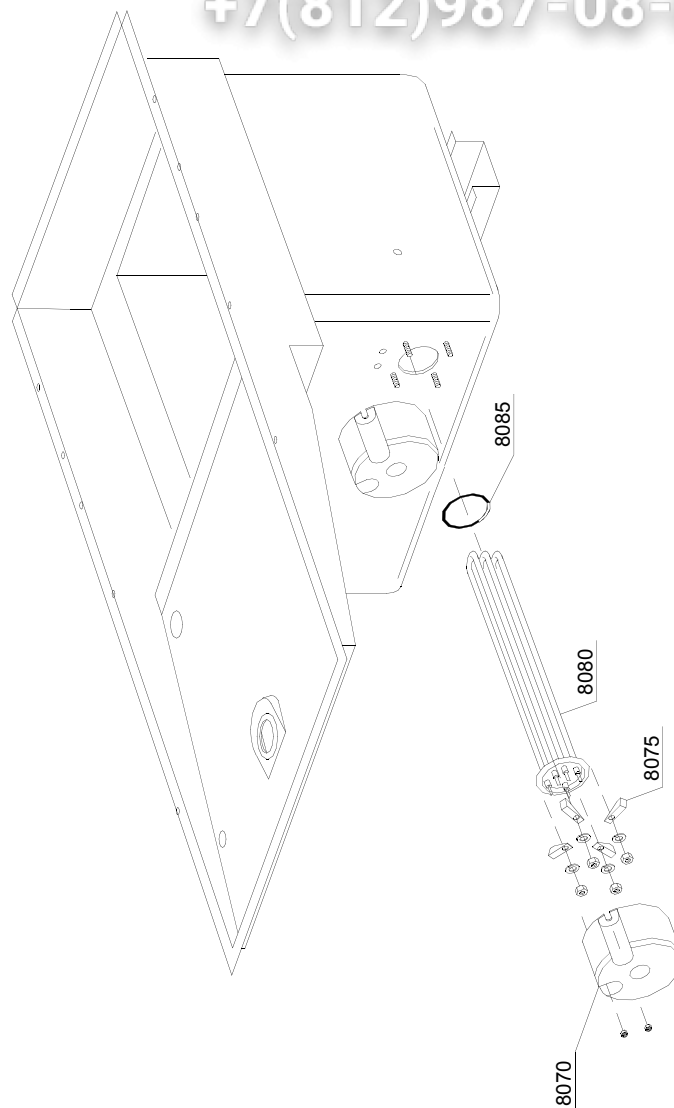
em=ELECTROMECHANICAL SWITCHES, e=ELECTRONICAL SWITCHES, uw=LOWER AND UPPER WASHER
24=24

hr=HEAT RECOVERY - TR98, hp=HEAT PUMP - TR99, sc9=STEAM CONDENSER - LC 91, csa=CONVEYOR SPEED ADJUSTING - LC 101, 972=90°MOTORIZED CHAIN CONVEYOR - LC 97/2, 973=180°MOTORIZED CHAIN CONVEYOR - LC 97/3, 974=DRYER WITH 90° MOTORIZED CHAIN CONVEYOR - LC 97/4, 975=DRYER WITH 180° MOTORIZED CHAIN CONVEYOR - LC 97/5, d9=DRYER - LC 90, d92=DRYER - LC 90/2, d929=DRYER - LC 90/900, cw=ADDITIONAL BOILER FOR COLD WATER SUPPLY, dvgw=DVGW VALVE SYSTEM, des=DETERGENT ECONOMIZER SYSTEM, szc9=SPLASH ZONE WITH CILINDER - LC 94, ti=TANK INSULATION, ds=DOUBLE SKIN, bp=BOOSTER PUMP, sdn3=DISPENSER SYSTEM SDN-3, 98=ANGLE LOADING TABLE - LC 98

A=3/N/PE~380-400V 50-60Hz, D=3/PE~200-210V 50-60Hz, F=2/PE~220-240V 50-60Hz, G=3/N/PE~415V 50-60Hz, H=3/PE~220-230V 50-60Hz, K=3/PE~380-400V 50-60Hz, L=3/PE~415V 50-60Hz, M=3/PE~440V 60Hz, P=1/N/PE~220-230V 50-60Hz, R=2/PE~220-240V 50-60Hz, U=1/N/PE~240V 50-60Hz, V=3/PE~240V 50-60Hz, W=1/N/PE~100-110V 50-60Hz

vsezip.ru

+7(812)987-08-81



| ID | P-code | SN from | SN to | Mod. | Acces | Volt | Description |
|---|------------|---------|-------|---------|-------|------|------------------------------|
| Module:Heat recovery TR98 - part 3 | | | | | | | |
| 8070 | 75311 | | - | em,e,uw | | | Heating element cover |
| 8075 | 16045 | | - | em,e,uw | | | Heating element support Ø6.3 |
| 8080 | 30001010 | | - | em,e,uw | | | Heating element 6kW |
| 8080 | 30001011 | | - | em,e,uw | | | Heating element 9kW |
| 8080 | 30001011/A | | - | em,e,uw | | | Heating element 12kW |
| 8080 | 30001011/B | | - | em,e,uw | | | Heating element 14kW |
| 8085 | 13015 | | - | em,e,uw | | | O-ring 160 (6225) |

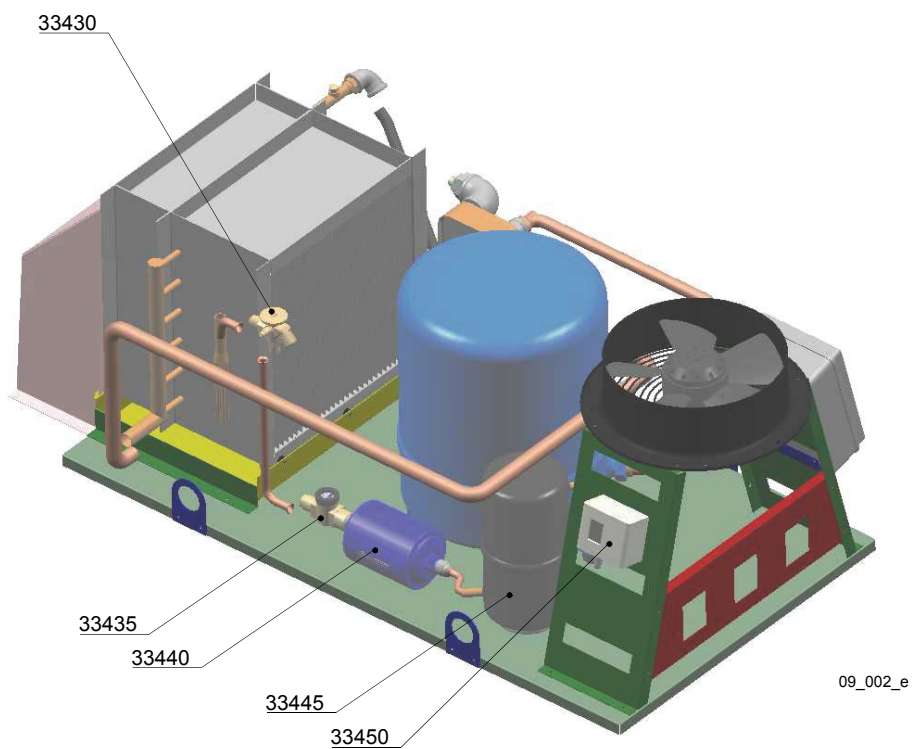
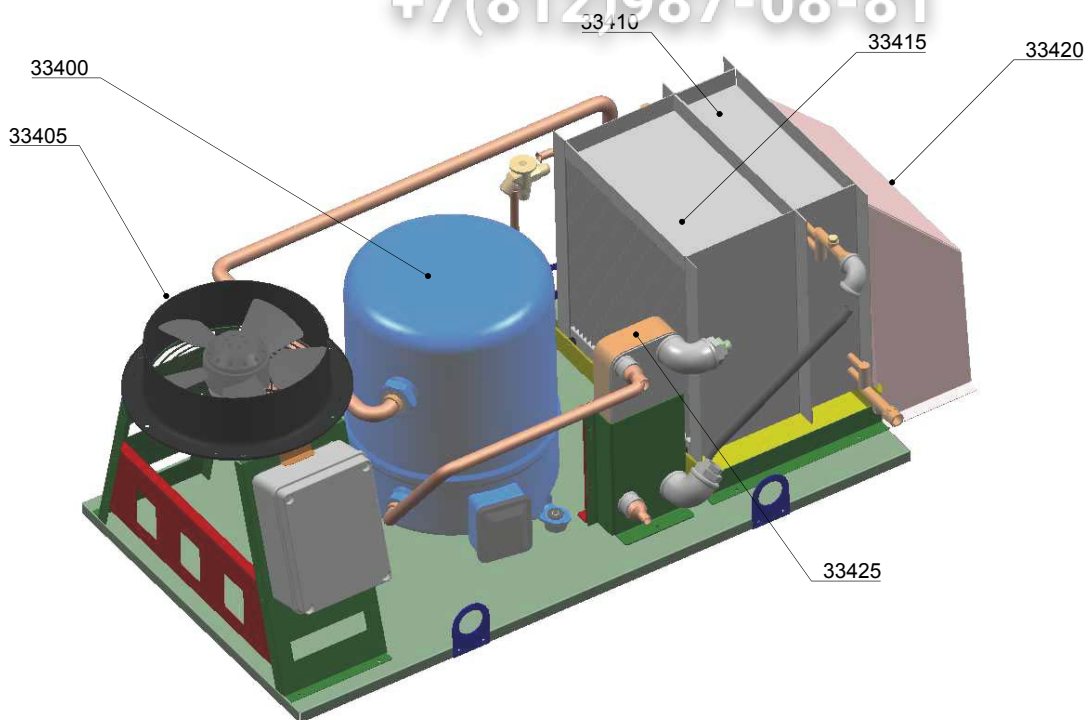
em=ELECTROMECHANICAL SWITCHES, e=ELECTRONICAL SWITCHES, uw=LOWER AND UPPER WASHER
24=24

hr=HEAT RECOVERY - TR98, hp=HEAT PUMP - TR99, sc9=STEAM CONDENSER - LC 91, csa=CONVEYOR SPEED ADJUSTING - LC 101, 972=90°MOTORIZED CHAIN CONVEYOR - LC 97/2, 973=180°MOTORIZED CHAIN CONVEYOR - LC 97/3, 974=DRYER WITH 90° MOTORIZED CHAIN CONVEYOR - LC 97/4, 975=DRYER WITH 180° MOTORIZED CHAIN CONVEYOR - LC 97/5, d9=DRYER - LC 90, d92=DRYER - LC 90/2, d929=DRYER - LC 90/900, cw=ADDITIONAL BOILER FOR COLD WATER SUPPLY, dvgw=DVGW VALVE SYSTEM, des=DETERGENT ECONOMIZER SYSTEM, szc9=SPLASH ZONE WITH CILINDER - LC 94, ti=TANK INSULATION, ds=DOUBLE SKIN, bp=BOOSTER PUMP, sdn3=DISPENSER SYSTEM SDN-3, 98=ANGLE LOADING TABLE - LC 98

A=3/N/PE~380-400V 50-60Hz, D=3/PE~200-210V 50-60Hz, F=2/PE~220-240V 50-60Hz, G=3/N/PE~415V 50-60Hz, H=3/PE~220-230V 50-60Hz, K=3/PE~380-400V 50-60Hz, L=3/PE~415V 50-60Hz, M=3/PE~440V 60Hz, P=1/N/PE~220-230V 50-60Hz, R=2/PE~220-240V 50-60Hz, U=1/N/PE~240V 50-60Hz, V=3/PE~240V 50-60Hz, W=1/N/PE~100-110V 50-60Hz

vsezip.ru

+7(812)987-08-81



09_002_e

| ID | P-code | SN from | SN to | Mod. | Acces. | Volt | Description |
|--|-----------|---------|-------|---------|--------|------|------------------------------|
| Module: Heat pump TR99 - part 1 | | | | | | | |
| 33400 | 3000310/B | | - | em,e,uw | | | 4 kW Compressor |
| 33405 | xxxx | | - | em,e,uw | | | Impeller fan |
| 33410 | xxxx | | - | em,e,uw | | | Heating recovery battery |
| 33415 | xxxx | | - | em,e,uw | | | Evaporator |
| 33420 | xxxx | | - | em,e,uw | | | Cap for steam collection |
| 33425 | xxxx | | - | em,e,uw | | | Plate condenser |
| 33430 | xxxx | | - | em,e,uw | | | Lamination valve |
| 33435 | 3000310/H | | - | em,e,uw | | | Inspection slide |
| 33440 | 3000310/G | | - | em,e,uw | | | Filter |
| 33445 | xxxx | | - | em,e,uw | | | Expansion tank |
| 33450 | xxxx | | - | em,e,uw | | | Differential pressure switch |

em=ELECTROMECHANICAL SWITCHES, e=ELECTRONICAL SWITCHES, uw=LOWER AND UPPER WASHER
24=24

hr=HEAT RECOVERY - TR98, hp=HEAT PUMP - TR99, sc9=STEAM CONDENSER - LC 91, csa=CONVEYOR SPEED ADJUSTING - LC 101, 972=90°MOTORIZED CHAIN CONVEYOR - LC 97/2, 973=180°MOTORIZED CHAIN CONVEYOR - LC 97/3, 974=DRYER WITH 90° MOTORIZED CHAIN CONVEYOR - LC 97/4, 975=DRYER WITH 180° MOTORIZED CHAIN CONVEYOR - LC 97/5, d9=DRYER - LC 90, d92=DRYER - LC 90/2, d929=DRYER - LC 90/900, cw=ADDITIONAL BOILER FOR COLD WATER SUPPLY, dvgw=DVGW VALVE SYSTEM, des=DETERGENT ECONOMIZER SYSTEM, szc9=SPLASH ZONE WITH CILINDER - LC 94, ti=TANK INSULATION, ds=DOUBLE SKIN, bp=BOOSTER PUMP, sdn3=DISPENSER SYSTEM SDN-3, 98=ANGLE LOADING TABLE - LC 98

A=3/N/PE~380-400V 50-60Hz, D=3/PE~200-210V 50-60Hz, F=2/PE~220-240V 50-60Hz, G=3/N/PE~415V 50-60Hz, H=3/PE~220-230V 50-60Hz, K=3/PE~380-400V 50-60Hz, L=3/PE~415V 50-60Hz, M=3/PE~440V 60Hz, P=1/N/PE~220-230V 50-60Hz, R=2/PE~220-240V 50-60Hz, U=1/N/PE~240V 50-60Hz, V=3/PE~240V 50-60Hz, W=1/N/PE~100-110V 50-60Hz

vsezip.ru

+7(812)987-08-81



09_002ae

vsezip.ru

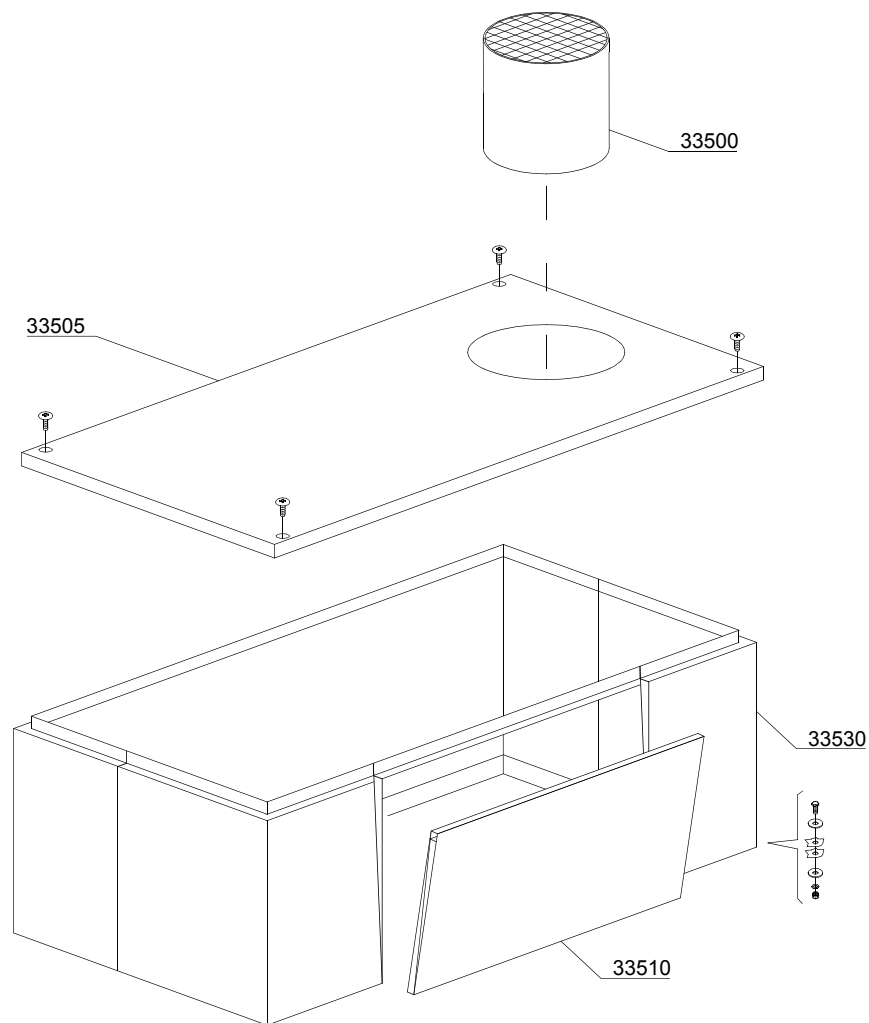
| ID | P-code | SN from | SN to | Mod. | Acces | Volt | Description |
|---|-----------|---------|-------|---------|-------|------|--------------------------|
| Module:Heat pump TR99/1 - part 1 | | | | | | | |
| 33400 | 3000310/B | | - | em,e,uw | | | 4 kW Compressor |
| 33405 | 3000310/A | | - | em,e,uw | | | Impeller fan |
| 33410 | 3000310/F | | - | em,e,uw | | | Heating recovery battery |
| 33415 | 3000310/E | | - | em,e,uw | | | GAS battery |
| 33420 | 3000310/H | | - | em,e,uw | | | Inspection slide |
| 33425 | 3000310/G | | - | em,e,uw | | | Filter |

em=ELECTROMECHANICAL SWITCHES, e=ELECTRONICAL SWITCHES, uw=LOWER AND UPPER WASHER
24=24

hr=HEAT RECOVERY - TR98, hp=HEAT PUMP - TR99, sc9=STEAM CONDENSER - LC 91, csa=CONVEYOR SPEED ADJUSTING - LC 101, 972=90°MOTORIZED CHAIN CONVEYOR - LC 97/2, 973=180°MOTORIZED CHAIN CONVEYOR - LC 97/3, 974=DRYER WITH 90° MOTORIZED CHAIN CONVEYOR - LC 97/4, 975=DRYER WITH 180° MOTORIZED CHAIN CONVEYOR - LC 97/5, d9=DRYER - LC 90, d92=DRYER - LC 90/2, d929=DRYER - LC 90/900, cw=ADDITIONAL BOILER FOR COLD WATER SUPPLY, dvgw=DVGW VALVE SYSTEM, des=DETERGENT ECONOMIZER SYSTEM, szc9=SPLASH ZONE WITH CILINDER - LC 94, ti=TANK INSULATION, ds=DOUBLE SKIN, bp=BOOSTER PUMP, sdn3=DISPENSER SYSTEM SDN-3, 98=ANGLE LOADING TABLE - LC 98

A=3/N/PE~380-400V 50-60Hz, D=3/PE~200-210V 50-60Hz, F=2/PE~220-240V 50-60Hz, G=3/N/PE~415V 50-60Hz, H=3/PE~220-230V 50-60Hz, K=3/PE~380-400V 50-60Hz, L=3/PE~415V 50-60Hz, M=3/PE~440V 60Hz, P=1/N/PE~220-230V 50-60Hz, R=2/PE~220-240V 50-60Hz, U=1/N/PE~240V 50-60Hz, V=3/PE~240V 50-60Hz, W=1/N/PE~100-110V 50-60Hz

09_003_e



vsezip.ru

| ID | P-code | SN from | SN to | Mod. | Acces | Volt | Description |
|---|---------|---------|-------|---------|-------|------|-------------------------|
| Module: Heat pump TR99 [TR99/1] - part 2 | | | | | | | |
| 33500 | 3009499 | | - | em,e,uw | hp | | Chimney TR-99 |
| 33505 | 3060184 | | - | em,e,uw | hp | | Impeller fan TR-99 |
| 33510 | 3060077 | | - | em,e,uw | hp | | Front body TR-99 |
| 33530 | 3009690 | | - | em,e,uw | hp | | Top assembly body TR-99 |

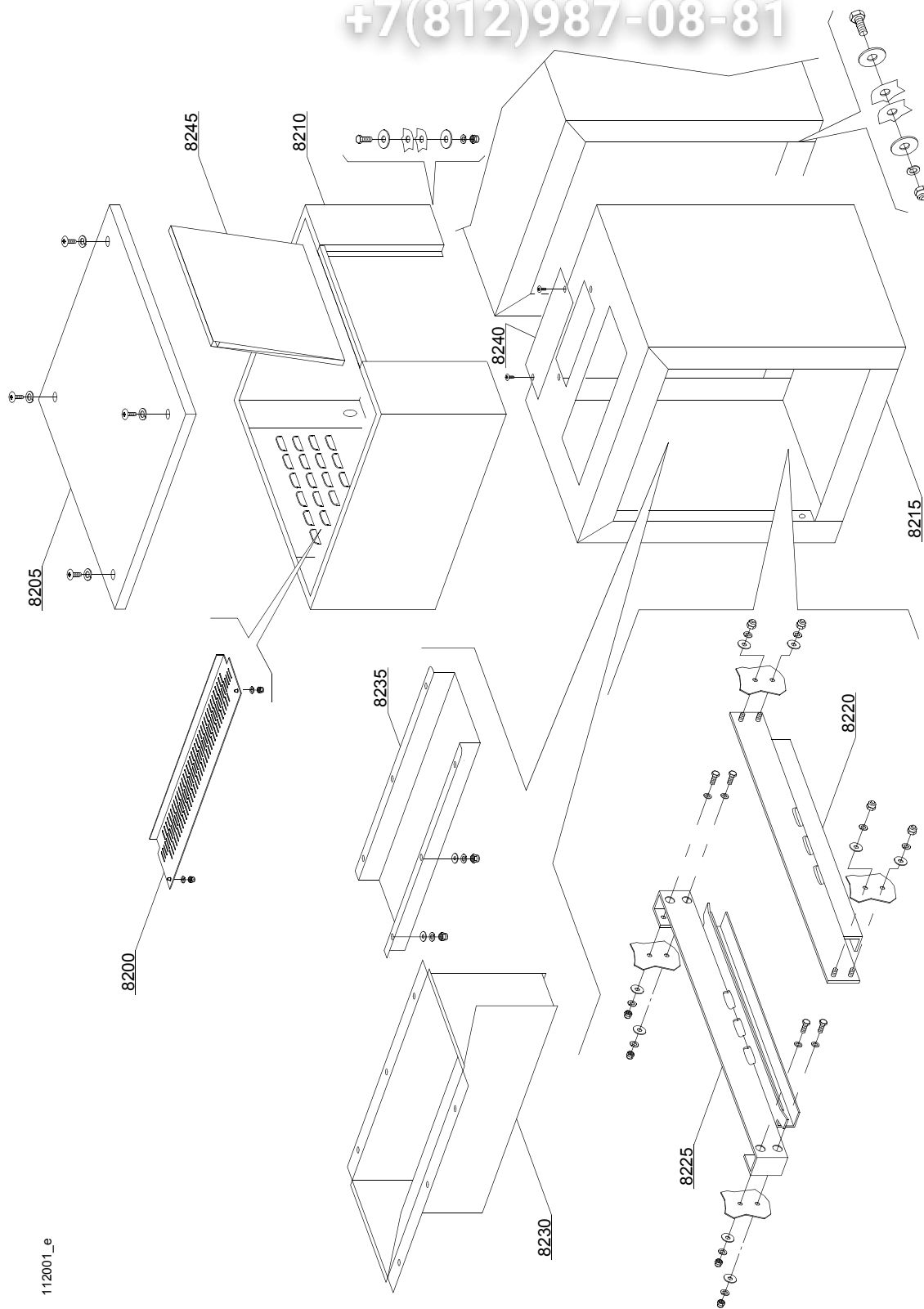
em=ELECTROMECHANICAL SWITCHES, e=ELECTRONICAL SWITCHES, uw=LOWER AND UPPER WASHER
24=24

hr=HEAT RECOVERY - TR98, hp=HEAT PUMP - TR99, sc9=STEAM CONDENSER - LC 91, csa=CONVEYOR SPEED ADJUSTING - LC 101, 972=90°MOTORIZED CHAIN CONVEYOR - LC 97/2, 973=180°MOTORIZED CHAIN CONVEYOR - LC 97/3, 974=DRYER WITH 90° MOTORIZED CHAIN CONVEYOR - LC 97/4, 975=DRYER WITH 180° MOTORIZED CHAIN CONVEYOR - LC 97/5, d9=DRYER - LC 90, d92=DRYER - LC 90/2, d929=DRYER - LC 90/900, cw=ADDITIONAL BOILER FOR COLD WATER SUPPLY, dvgw=DVGW VALVE SYSTEM, des=DETERGENT ECONOMIZER SYSTEM, szc9=SPLASH ZONE WITH CILINDER - LC 94, ti=TANK INSULATION, ds=DOUBLE SKIN, bp=BOOSTER PUMP, sdn3=DISPENSER SYSTEM SDN-3, 98=ANGLE LOADING TABLE - LC 98

A=3/N/PE~380-400V 50-60Hz, D=3/PE~200-210V 50-60Hz, F=2/PE~220-240V 50-60Hz, G=3/N/PE~415V 50-60Hz, H=3/PE~220-230V 50-60Hz, K=3/PE~380-400V 50-60Hz, L=3/PE~415V 50-60Hz, M=3/PE~440V 60Hz, P=1/N/PE~220-230V 50-60Hz, R=2/PE~220-240V 50-60Hz, U=1/N/PE~240V 50-60Hz, V=3/PE~240V 50-60Hz, W=1/N/PE~100-110V 50-60Hz

vsezip.ru

+7(812)987-08-81



112001_e

| ID | P-code | SN from | SN to | Mod. | Acces | Volt | Description |
|--|-----------|---------|-------|---------|-------|------|---------------------|
| Module: Dryer LC90 - LC90/2 (6 - 12kW) - part 1 | | | | | | | |
| 8200 | 3009362/A | | - | em,e,uw | | | Protection |
| 8205 | 3009267 | | - | em,e,uw | | | Cover panel |
| 8210 | 3009484 | | - | em,e,uw | | | Complete body |
| 8215 | 3009485 | | - | em,e,uw | | | Dryer module |
| 8220 | 3009047 | | - | em,e,uw | | | Front slideways |
| 8225 | 3009057 | | - | em,e,uw | | | Back slideways |
| 8230 | 3009492 | | - | em,e,uw | | | Flow conveyor |
| 8235 | 3009434 | | - | em,e,uw | | | Splash guard |
| 8240 | 3009100 | | - | em,e,uw | | | Air covering |
| 8245 | 3009268 | | - | em,e,uw | | | Dryer carter lockup |

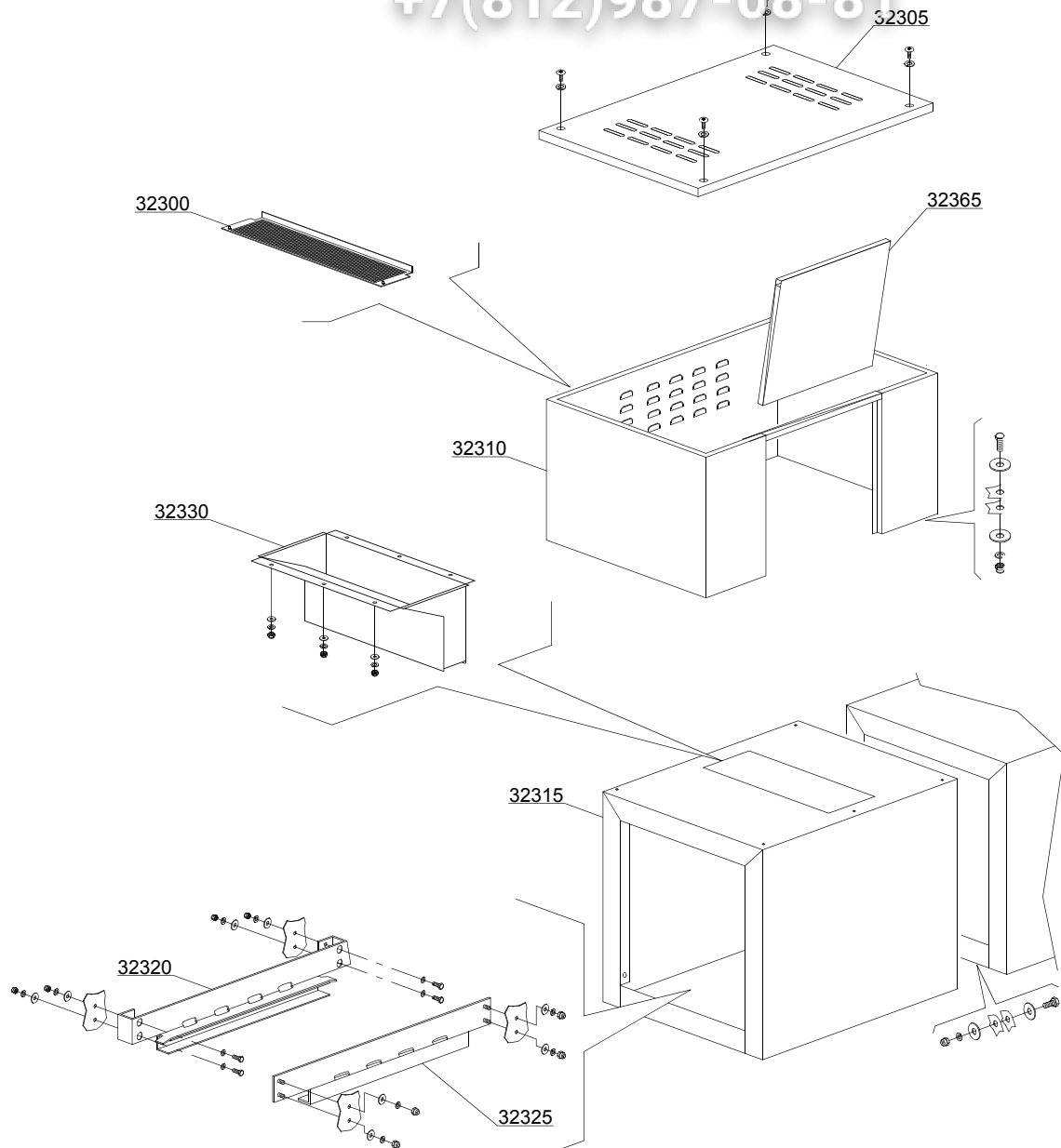
em=ELECTROMECHANICAL SWITCHES, e=ELECTRONICAL SWITCHES, uw=LOWER AND UPPER WASHER
24=24

hr=HEAT RECOVERY - TR98, hp=HEAT PUMP - TR99, sc9=STEAM CONDENSER - LC 91, csa=CONVEYOR SPEED ADJUSTING - LC 101, 972=90°MOTORIZED CHAIN CONVEYOR - LC 97/2, 973=180°MOTORIZED CHAIN CONVEYOR - LC 97/3, 974=DRYER WITH 90° MOTORIZED CHAIN CONVEYOR - LC 97/4, 975=DRYER WITH 180° MOTORIZED CHAIN CONVEYOR - LC 97/5, d9=DRYER - LC 90, d92=DRYER - LC 90/2, d929=DRYER - LC 90/900, cw=ADDITIONAL BOILER FOR COLD WATER SUPPLY, dvgw=DVGW VALVE SYSTEM, des=DETERGENT ECONOMIZER SYSTEM, szc9=SPLASH ZONE WITH CILINDER - LC 94, ti=TANK INSULATION, ds=DOUBLE SKIN, bp=BOOSTER PUMP, sdn3=DISPENSER SYSTEM SDN-3, 98=ANGLE LOADING TABLE - LC 98

A=3/N/PE~380-400V 50-60Hz, D=3/PE~200-210V 50-60Hz, F=2/PE~220-240V 50-60Hz, G=3/N/PE~415V 50-60Hz, H=3/PE~220-230V 50-60Hz, K=3/PE~380-400V 50-60Hz, L=3/PE~415V 50-60Hz, M=3/PE~440V 60Hz, P=1/N/PE~220-230V 50-60Hz, R=2/PE~220-240V 50-60Hz, U=1/N/PE~240V 50-60Hz, V=3/PE~240V 50-60Hz, W=1/N/PE~100-110V 50-60Hz

vsezip.ru

+7(812)987-08-81



12_001_e

| ID | P-code | SN from | SN to | Mod. | Acces | Volt | Description |
|---|-----------|---------|-------|---------|-------|------|---------------------|
| Module: Dryer LC90/900 (12kW) - part 1 | | | | | | | |
| 32300 | 3009362/A | | - | em,e,uw | | | Protection |
| 32305 | 3009330 | | - | em,e,uw | | | Cover panel |
| 32310 | 3009494 | | - | em,e,uw | | | Complete body |
| 32315 | 3009495 | | - | em,e,uw | | | Dryer module |
| 32320 | 3009333 | | - | em,e,uw | | | Front slideways |
| 32325 | 3009332 | | - | em,e,uw | | | Back slideways |
| 32330 | 3009492 | | - | em,e,uw | | | Splash guard |
| 32365 | 3009331 | | - | em,e,uw | | | Dryer carter lockup |

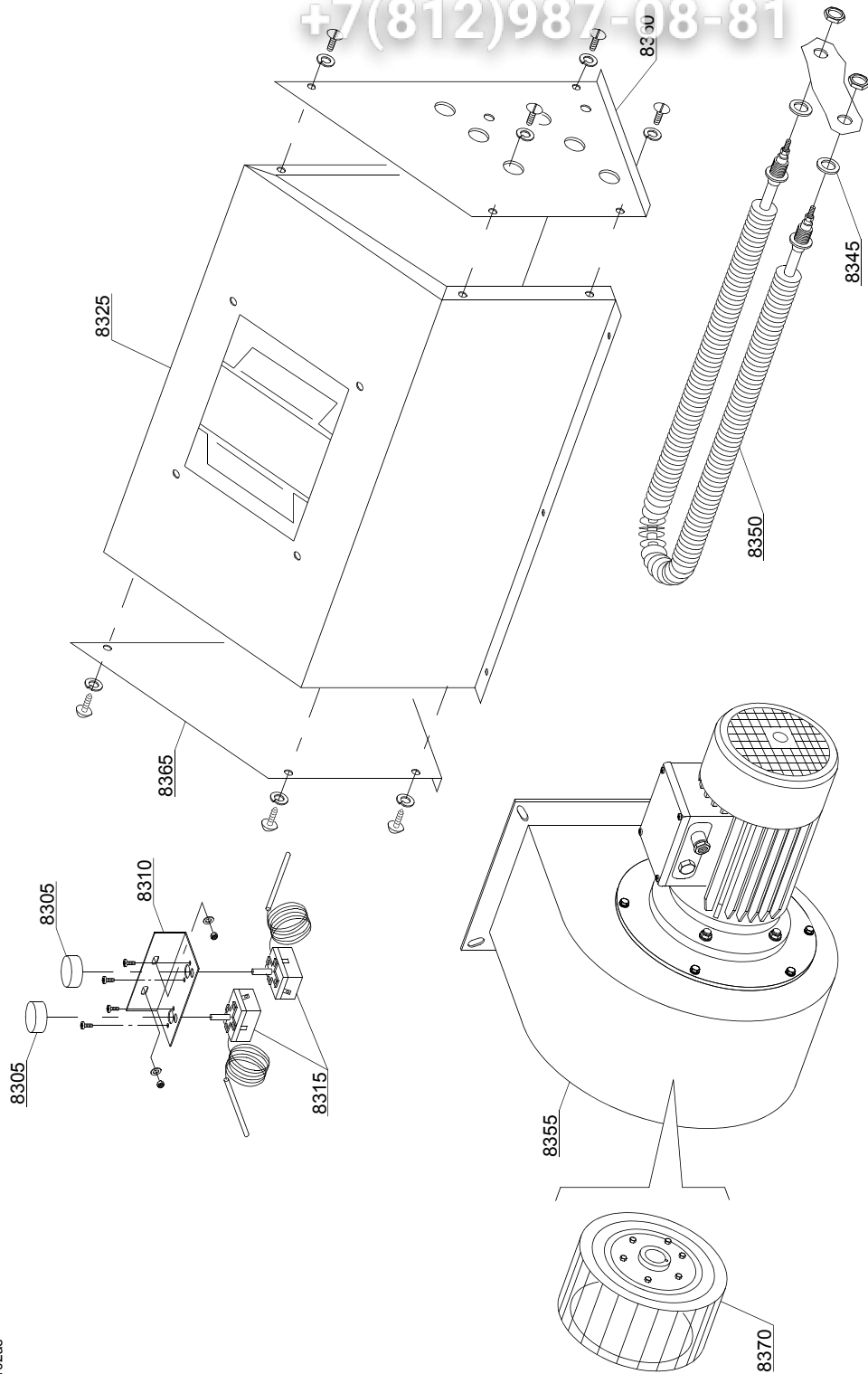
em=ELECTROMECHANICAL SWITCHES, e=ELECTRONICAL SWITCHES, uw=LOWER AND UPPER WASHER
24=24

hr=HEAT RECOVERY - TR98, hp=HEAT PUMP - TR99, sc9=STEAM CONDENSER - LC 91, csa=CONVEYOR SPEED ADJUSTING - LC 101, 972=90°MOTORIZED CHAIN CONVEYOR - LC 97/2, 973=180°MOTORIZED CHAIN CONVEYOR - LC 97/3, 974=DRYER WITH 90° MOTORIZED CHAIN CONVEYOR - LC 97/4, 975=DRYER WITH 180° MOTORIZED CHAIN CONVEYOR - LC 97/5, d9=DRYER - LC 90, d92=DRYER - LC 90/2, d929=DRYER - LC 90/900, cw=ADDITIONAL BOILER FOR COLD WATER SUPPLY, dvgw=DVGW VALVE SYSTEM, des=DETERGENT ECONOMIZER SYSTEM, szc9=SPLASH ZONE WITH CILINDER - LC 94, ti=TANK INSULATION, ds=DOUBLE SKIN, bp=BOOSTER PUMP, sdn3=DISPENSER SYSTEM SDN-3, 98=ANGLE LOADING TABLE - LC 98

A=3/N/PE~380-400V 50-60Hz, D=3/PE~200-210V 50-60Hz, F=2/PE~220-240V 50-60Hz, G=3/N/PE~415V 50-60Hz, H=3/PE~220-230V 50-60Hz, K=3/PE~380-400V 50-60Hz, L=3/PE~415V 50-60Hz, M=3/PE~440V 60Hz, P=1/N/PE~220-230V 50-60Hz, R=2/PE~220-240V 50-60Hz, U=1/N/PE~240V 50-60Hz, V=3/PE~240V 50-60Hz, W=1/N/PE~100-110V 50-60Hz

vsezip.ru

+7(812)987-08-81

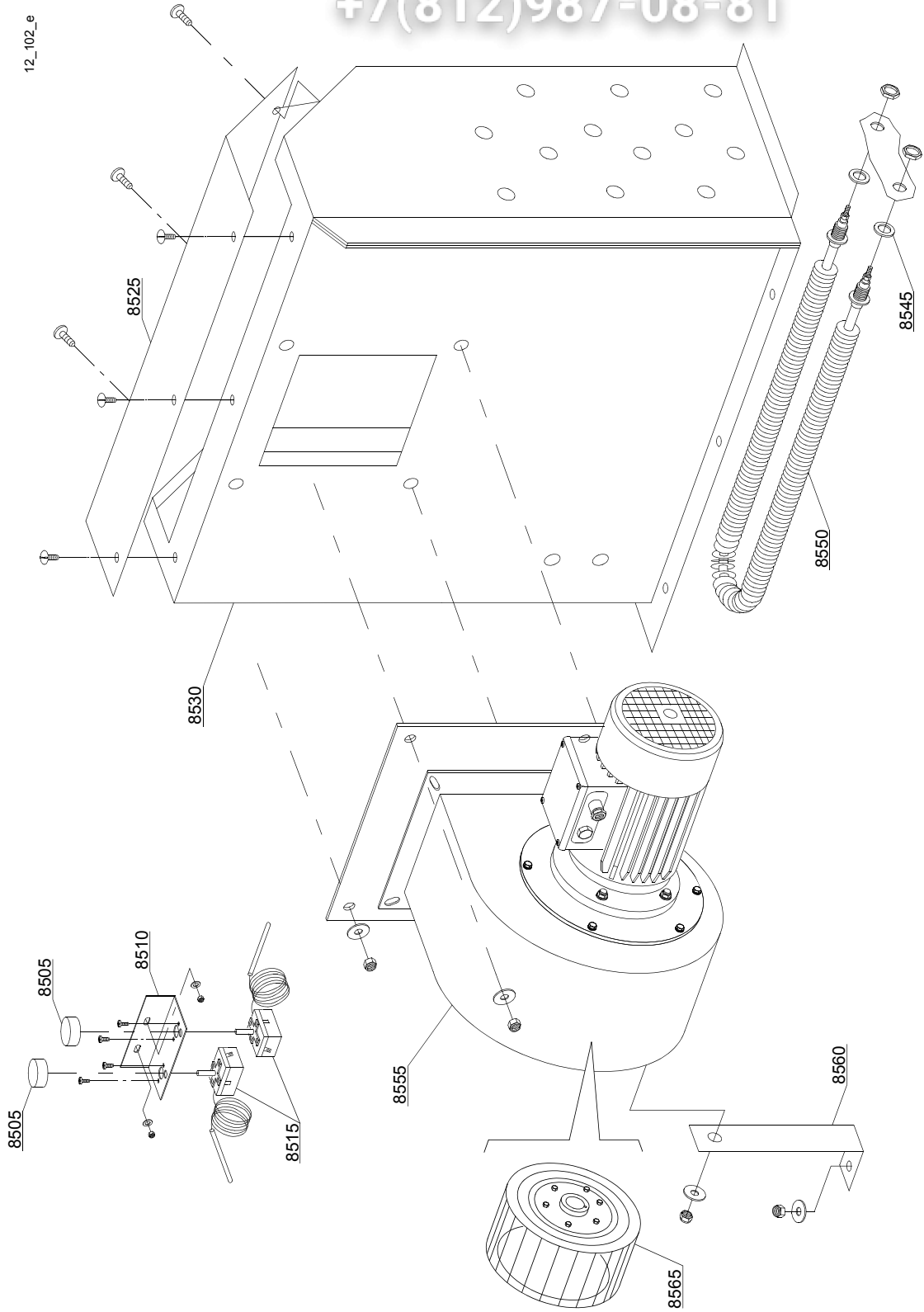


11_102ae

| ID | P-code | SN from | SN to | Mod. | Acces | Volt | Description |
|---|----------|---------|-------|---------|-------|------|---------------------------------|
| Module: Dryer LC80 - LC90 (6kW) - part 2 | | | | | | | |
| 8305 | 15105/C | | - | em,e,uw | | | 0-300°C Thermostat knob |
| 8310 | 3009104 | | - | em,e,uw | | | Thermostat support |
| 8315 | 10707/3 | | - | em,e,uw | | | Thermostat with shaft 0 - 300° |
| 8325 | 3009674 | | - | em,e,uw | | | Drying Carter |
| 8330 | 3009487 | | - | em,e,uw | | | Left drying conveyor |
| 8345 | 10200171 | | - | em,e,uw | | | Gasket FASIT 25x17x2 |
| 8350 | 2000359 | | - | em,e,uw | | | Drying heating element with nut |
| 8355 | 3000313 | | - | em,e,uw | | | Motorfan 0,55 kW 60-Hz |
| 8355 | 3003118 | | - | em,e,uw | | A | Motorfan 0,75 kW |
| 8365 | 3009676 | | - | em,e,uw | | | Side without oles |
| 8370 | 3000308 | | - | em,e,uw | | | Pump rotor |

em=ELECTROMECHANICAL SWITCHES, e=ELECTRONICAL SWITCHES, uw=LOWER AND UPPER WASHER
24=24

hr=HEAT RECOVERY - TR98, hp=HEAT PUMP - TR99, sc9=STEAM CONDENSER - LC 91, csa=CONVEYOR SPEED ADJUSTING - LC 101, 972=90°MOTORIZED CHAIN CONVEYOR - LC 97/2, 973=180°MOTORIZED CHAIN CONVEYOR - LC 97/3, 974=DRYER WITH 90° MOTORIZED CHAIN CONVEYOR - LC 97/4, 975=DRYER WITH 180° MOTORIZED CHAIN CONVEYOR - LC 97/5, d9=DRYER - LC 90, d92=DRYER - LC 90/2, d929=DRYER - LC 90/900, cw=ADDITIONAL BOILER FOR COLD WATER SUPPLY, dvgw=DVGW VALVE SYSTEM, des=DETERGENT ECONOMIZER SYSTEM, szc9=SPLASH ZONE WITH CILINDER - LC 94, ti=TANK INSULATION, ds=DOUBLE SKIN, bp=BOOSTER PUMP, sdn3=DISPENSER SYSTEM SDN-3, 98=ANGLE LOADING TABLE - LC 98
A=3/N/PE~380-400V 50-60Hz, D=3/PE~200-210V 50-60Hz, F=2/PE~220-240V 50-60Hz, G=3/N/PE~415V 50-60Hz, H=3/PE~220-230V 50-60Hz, K=3/PE~380-400V 50-60Hz, L=3/PE~415V 50-60Hz, M=3/PE~440V 60Hz, P=1/N/PE~220-230V 50-60Hz, R=2/PE~220-240V 50-60Hz, U=1/N/PE~240V 50-60Hz, V=3/PE~240V 50-60Hz, W=1/N/PE~100-110V 50-60Hz



| ID | P-code | SN from | SN to | Mod. | Acces | Volt | Description |
|--|----------|---------|-------|---------|-------|------|---------------------------------|
| Module: Dryer LC90/2 - LC90/900 (12kW) - part 2 | | | | | | | |
| 8505 | 15105/C | | - | em,e,uw | | | 0-300°C Thermostat knob |
| 8510 | 3009104 | | - | em,e,uw | | | Thermostat support |
| 8515 | 10707/3 | | - | em,e,uw | | | Thermostat with shaft 0 - 300° |
| 8525 | 3009085 | | - | em,e,uw | | | Cover drying conveyer |
| 8530 | 3009488 | | - | em,e,uw | | | Right drying conveyer |
| 8530 | 3009489 | | - | em,e,uw | | | Left drying conveyer |
| 8545 | 10200171 | | - | em,e,uw | | | Gasket FASIT 25x17x2 |
| 8550 | 2000359 | | - | em,e,uw | | | Drying heating element with nut |
| 8555 | 3003118 | | - | em,e,uw | | | Motorfan 0.75 kW |
| 8555 | 3000301 | | - | em,e,uw | | | Motorfan 1,5 kW |
| 8560 | 3009214 | | - | em,e,uw | | | Motorfan support |
| 8565 | 3003119 | | - | em,e,uw | | | Pump rotor |

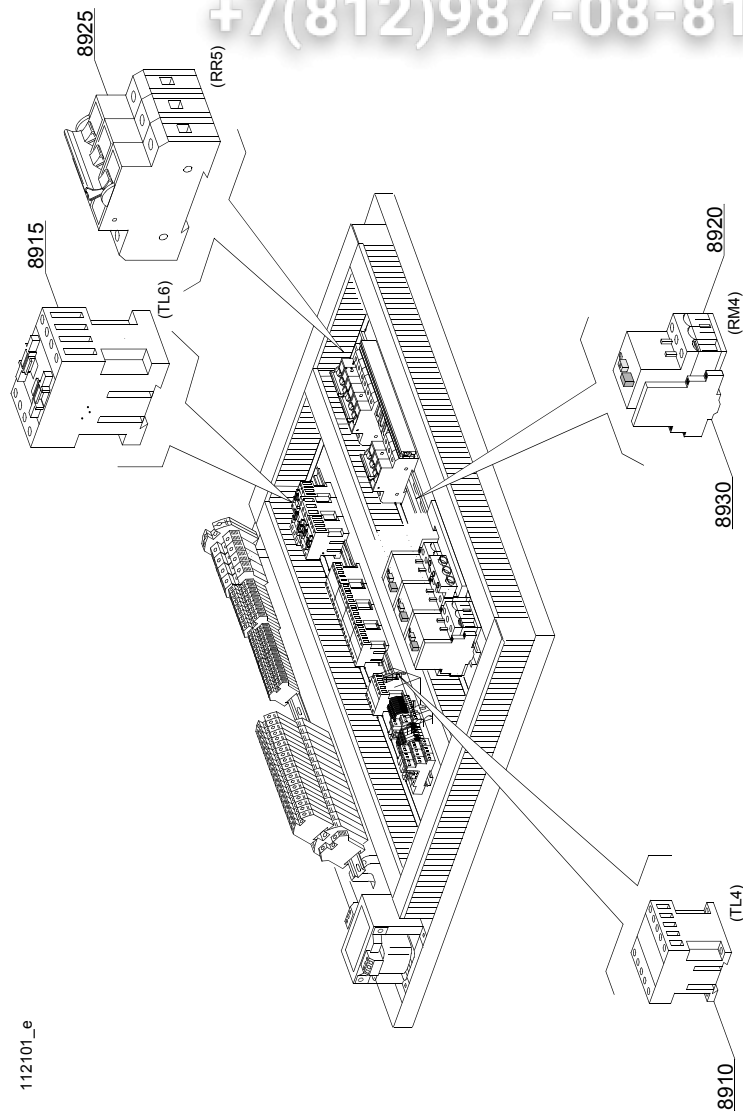
em=ELECTROMECHANICAL SWITCHES, e=ELECTRONICAL SWITCHES, uw=LOWER AND UPPER WASHER
24=24

hr=HEAT RECOVERY - TR98, hp=HEAT PUMP - TR99, sc9=STEAM CONDENSER - LC 91, csa=CONVEYOR SPEED
ADJUSTING - LC 101, 972=90°MOTORIZED CHAIN CONVEYOR - LC 97/2, 973=180°MOTORIZED CHAIN CON-
VEYOR - LC 97/3, 974=DRYER WITH 90° MOTORIZED CHAIN CONVEYOR - LC 97/4, 975=DRYER WITH 180° MO-
TORIZED CHAIN CONVEYOR - LC 97/5, d9=DRYER - LC 90, d92=DRYER - LC 90/2, d929=DRYER - LC 90/900,
cw=ADDITIONAL BOILER FOR COLD WATER SUPPLY, dvgw=DVGW VALVE SYSTEM, des=DETERGENT ECON-
OMIZER SYSTEM, szc9=SPLASH ZONE WITH CILINDER - LC 94, ti=TANK INSULATION, ds=DOUBLE SKIN,
bp=BOOSTER PUMP, sdn3=DISPENSER SYSTEM SDN-3, 98=ANGLE LOADING TABLE - LC 98

A=3/N/PE~380-400V 50-60Hz, D=3/PE~200-210V 50-60Hz, F=2/PE~220-240V 50-60Hz, G=3/N/PE~415V 50-60Hz,
H=3/PE~220-230V 50-60Hz, K=3/PE~380-400V 50-60Hz, L=3/PE~415V 50-60Hz, M=3/PE~440V 60Hz, P=1/N/PE~220-
230V 50-60Hz, R=2/PE~220-240V 50-60Hz, U=1/N/PE~240V 50-60Hz, V=3/PE~240V 50-60Hz, W=1/N/PE~100-110V
50-60Hz

vsezip.ru

+7(812)987-08-81



112101_e

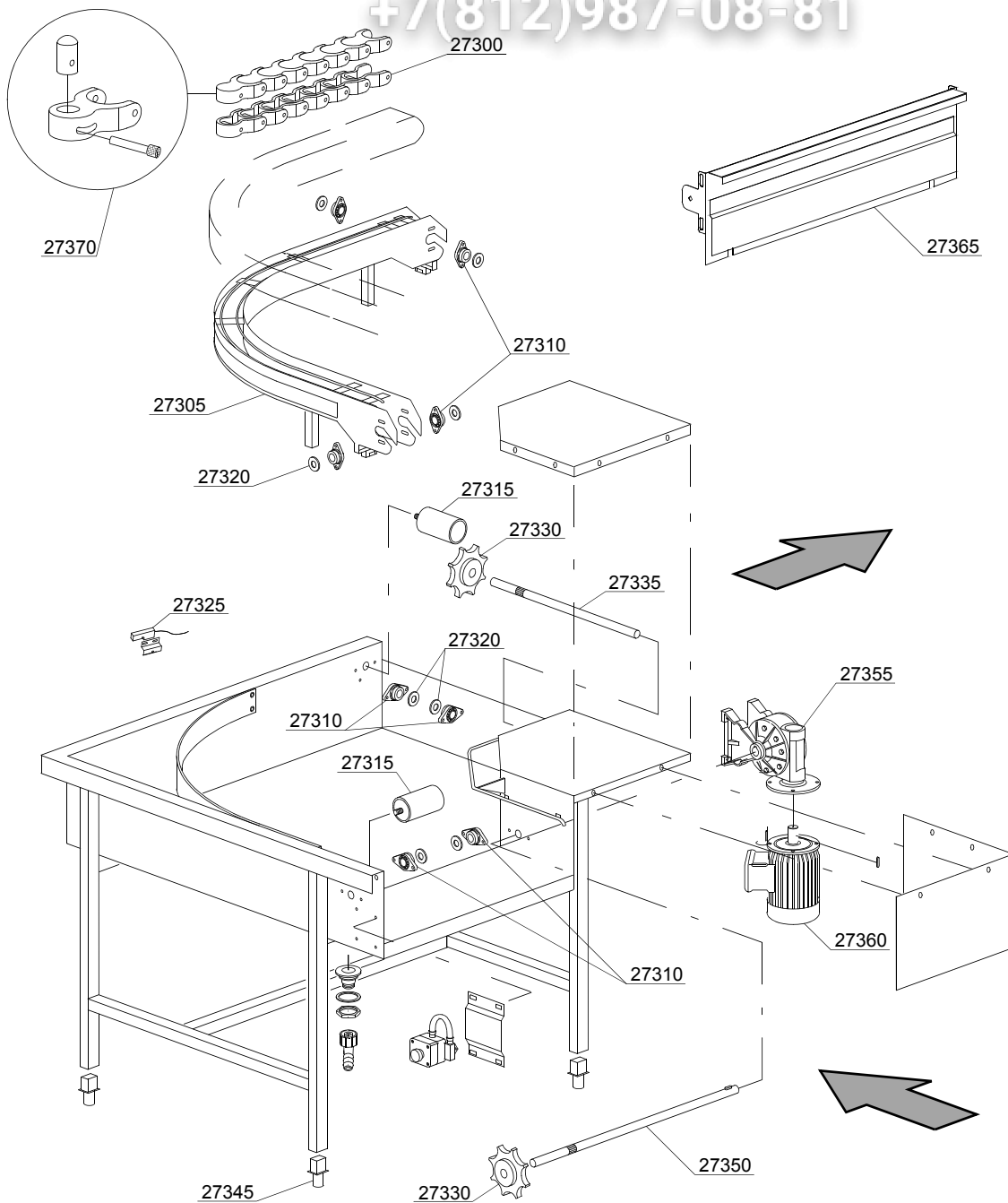
| ID | P-code | SN from | SN to | Mod. | Acces. | Volt | Description |
|--|----------|---------|-------|---------|--------|------|--|
| Module: Dryer LC90 - LC90/2 - LC90/900 (6 - 12kW) electric components | | | | | | | |
| 8910 | 2000370 | | - | em,e,uw | | A | Contacteur MC9 |
| 8915 | 2000380 | | - | em,e,uw | | A | Contacteur BF12 (LC90 - 6kW) |
| 8915 | 2000385 | | - | em,e,uw | | A | Contacteur BF20 (LC90/2 - 12kW) |
| 8915 | 10300064 | | | em,e,uw | | A | Contacteur BF32 (LC90/4 - 18kW) |
| 8920 | 2000394 | | - | em,e,uw | | A | Motorprotector 2,5-4A (Motorfan 0,75 kW) |
| 8920 | 2000400 | | - | em,e,uw | | A | Motorprotector 4-6,3A (Motorfan 1,5 kW) |
| 8920 | 2000400 | | | em,e,uw | | A | Motorprotector 4-6,3A (Motor 1,5 kW) |
| 8925 | 2000403 | | - | em,e,uw | | A | Automatic fuse C16 (LC90 - 6kW) |
| 8925 | 2000404 | | - | em,e,uw | | A | Automatic fuse C25 (LC90/2 - 12kW) |
| 8925 | 2000409 | | | em,e,uw | | A | Automatic fuse C40 (LC90/4 - 18kW) |
| 8930 | 3006080 | | - | em,e,uw | | A | Auxiliary contact LMS25 |

em=ELECTROMECHANICAL SWITCHES, e=ELECTRONICAL SWITCHES, uw=LOWER AND UPPER WASHER
24=24

hr=HEAT RECOVERY - TR98, hp=HEAT PUMP - TR99, sc9=STEAM CONDENSER - LC 91, csa=CONVEYOR SPEED ADJUSTING - LC 101, 972=90°MOTORIZED CHAIN CONVEYOR - LC 97/2, 973=180°MOTORIZED CHAIN CONVEYOR - LC 97/3, 974=DRYER WITH 90° MOTORIZED CHAIN CONVEYOR - LC 97/4, 975=DRYER WITH 180° MOTORIZED CHAIN CONVEYOR - LC 97/5, d9=DRYER - LC 90, d92=DRYER - LC 90/2, d929=DRYER - LC 90/900, cw=ADDITIONAL BOILER FOR COLD WATER SUPPLY, dvgw=DVGW VALVE SYSTEM, des=DETERGENT ECONOMIZER SYSTEM, szc9=SPLASH ZONE WITH CILINDER - LC 94, ti=TANK INSULATION, ds=DOUBLE SKIN, bp=BOOSTER PUMP, sdn3=DISPENSER SYSTEM SDN-3, 98=ANGLE LOADING TABLE - LC 98
A=3/N/PE~380-400V 50-60Hz, D=3/PE~200-210V 50-60Hz, F=2/PE~220-240V 50-60Hz, G=3/N/PE~415V 50-60Hz, H=3/PE~220-230V 50-60Hz, K=3/PE~380-400V 50-60Hz, L=3/PE~415V 50-60Hz, M=3/PE~440V 60Hz, P=1/N/PE~220-230V 50-60Hz, R=2/PE~220-240V 50-60Hz, U=1/N/PE~240V 50-60Hz, V=3/PE~240V 50-60Hz, W=1/N/PE~100-110V 50-60Hz

vsezip.ru

+7(812)987-08-81



15_001_e

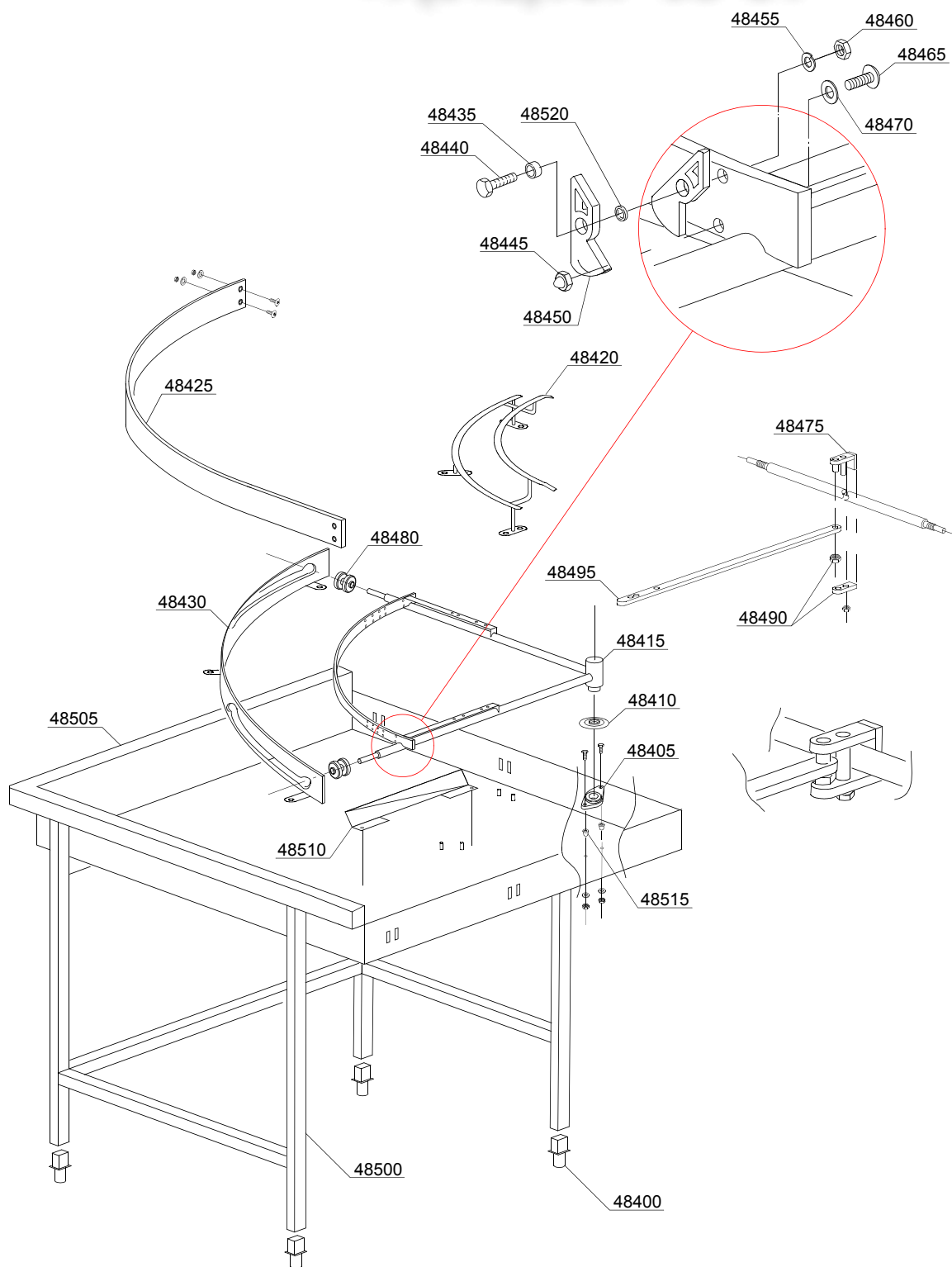
| ID | P-code | SN from | SN to | Mod. | Acces. | Volt | Description |
|--|---------|---------|-------|---------|--------|------|---|
| Module: Motorized curve 90° - LC 97/2 | | | | | | | |
| 27300 | 3000259 | | - | em,e,uw | | | Chain for roller |
| 27305 | 3003057 | | - | em,e,uw | | | Kit guide for chain |
| 27310 | 3000260 | | - | em,e,uw | | | Flange for chain |
| 27315 | 3000262 | | - | em,e,uw | | | Ø50x80 embossment roller |
| 27320 | 3003048 | | - | em,e,uw | | | Spacer for bearings |
| 27325 | 3003112 | | - | em,e,uw | | | Door microswitch |
| 27330 | 3000261 | | - | em,e,uw | | | 8 teeth pinion |
| 27335 | 3003050 | | - | em,e,uw | | | Neutral shaft for chain |
| 27345 | 3000252 | | - | em,e,uw | | | Adjustable food |
| 27350 | 3003047 | | - | em,e,uw | | | Shaft for chain rotation |
| 27355 | 3000254 | | - | em,e,uw | | | Gear right 1:100 |
| 27355 | 3000253 | | - | em,e,uw | | | Gear right 1:100 |
| 27360 | 3000102 | | - | em,e,uw | | A | Conveyor motor - 8P 230/400V 50HZ |
| 27360 | 3000107 | | - | em,e,uw | | A | Conveyor motor - 6/8P 400V 50HZ - reduced |
| 27360 | 3000108 | | - | em,e,uw | | | Conveyor motor - 6/8P 230V 50HZ - reduced |
| 27360 | 3000110 | | - | em,e,uw | | A | Conveyor motor - 6/8P 400/415V 50HZ |
| 27360 | 3000109 | | - | em,e,uw | | | Conveyor motor - 6/8P 230V 50HZ |
| 27360 | 3000251 | | - | em,e,uw | | A | Conveyor motor - 0,18HP - LC97 |
| 27370 | 3000270 | | - | em,e,uw | | | Rack-push+Support+Pivot |

em=ELECTROMECHANICAL SWITCHES, e=ELECTRONICAL SWITCHES, uw=LOWER AND UPPER WASHER
24=24

hr=HEAT RECOVERY - TR98, hp=HEAT PUMP - TR99, sc9=STEAM CONDENSER - LC 91, csa=CONVEYOR SPEED
ADJUSTING - LC 101, 972=90°MOTORIZED CHAIN CONVEYOR - LC 97/2, 973=180°MOTORIZED CHAIN CON-
VEYOR - LC 97/3, 974=DRYER WITH 90° MOTORIZED CHAIN CONVEYOR - LC 97/4, 975=DRYER WITH 180° MO-
TORIZED CHAIN CONVEYOR - LC 97/5, d9=DRYER - LC 90, d92=DRYER - LC 90/2, d929=DRYER - LC 90/900,
cw=ADDITIONAL BOILER FOR COLD WATER SUPPLY, dvgw=DVGW VALVE SYSTEM, des=DETERGENT ECON-
OMIZER SYSTEM, szc9=SPLASH ZONE WITH CILINDER - LC 94, ti=TANK INSULATION, ds=DOUBLE SKIN,
bp=BOOSTER PUMP, sdn3=DISPENSER SYSTEM SDN-3, 98=ANGLE LOADING TABLE - LC 98

A=3/N/PE~380-400V 50-60Hz, D=3/PE~200-210V 50-60Hz, F=2/PE~220-240V 50-60Hz, G=3/N/PE~415V 50-60Hz,
H=3/PE~220-230V 50-60Hz, K=3/PE~380-400V 50-60Hz, L=3/PE~415V 50-60Hz, M=3/PE~440V 60Hz, P=1/N/PE~220-
230V 50-60Hz, R=2/PE~220-240V 50-60Hz, U=1/N/PE~240V 50-60Hz, V=3/PE~240V 50-60Hz, W=1/N/PE~100-110V
50-60Hz

15_102ae



| ID | P-code | SN from | SN to | Mod. | Acces. | Volt | Description |
|--|----------|---------|-------|---------|--------|------|--------------------------------|
| Module: Mecanized curve 90° - LC 77/2 | | | | | | | |
| 48400 | 3000352 | | - | em,e,uw | | | Adjustable food |
| 48405 | 3000260 | | - | em,e,uw | | | Flange |
| 48410 | 3004161 | | - | em,e,uw | | | Protection disk |
| 48415 | 3063006 | | - | em,e,uw | | | Center transport |
| 48420 | 3063002 | | - | em,e,uw | | | Inside support basket |
| 48425 | 3063003 | | - | em,e,uw | | | External support basket |
| 48430 | 3063005 | | - | em,e,uw | | | Center support guide assembly |
| 48435 | 3003060 | | - | em,e,uw | | | 11,7x10x6 Bush |
| 48440 | 11128 | | - | em,e,uw | | | M10x25 inox screw |
| 48445 | 11707 | | - | em,e,uw | | | M5 inox nut |
| 48450 | 3063009 | | - | em,e,uw | | | Inox Clip |
| 48455 | 11609 | | - | em,e,uw | | | M8 inox washer |
| 48460 | 11719 | | - | em,e,uw | | | M10 inox nut |
| 48465 | 11197 | | - | em,e,uw | | | M5x10 inox screw |
| 48470 | 11608 | | - | em,e,uw | | | M5 inox washer |
| 48475 | 3063008 | | - | em,e,uw | | | Axis machine coupling |
| 48480 | 3063007 | | - | em,e,uw | | | Wheel |
| 48490 | 3063010 | | - | em,e,uw | | | Axle machine coupling lock nut |
| 48495 | 3063004 | | - | em,e,uw | | | Machine connectin rod |
| 48500 | 3063001 | | - | em,e,uw | | | Mecanized curve chassis |
| 48505 | 3063000 | | - | em,e,uw | | | Mecanized curve base |
| 48510 | 391080 | | - | em,e,uw | | | Metal flap for air circulation |
| 48515 | 10600206 | | - | em,e,uw | | | Teflon ogive |
| 48520 | 3003024 | | - | em,e,uw | | | Teflon washer |

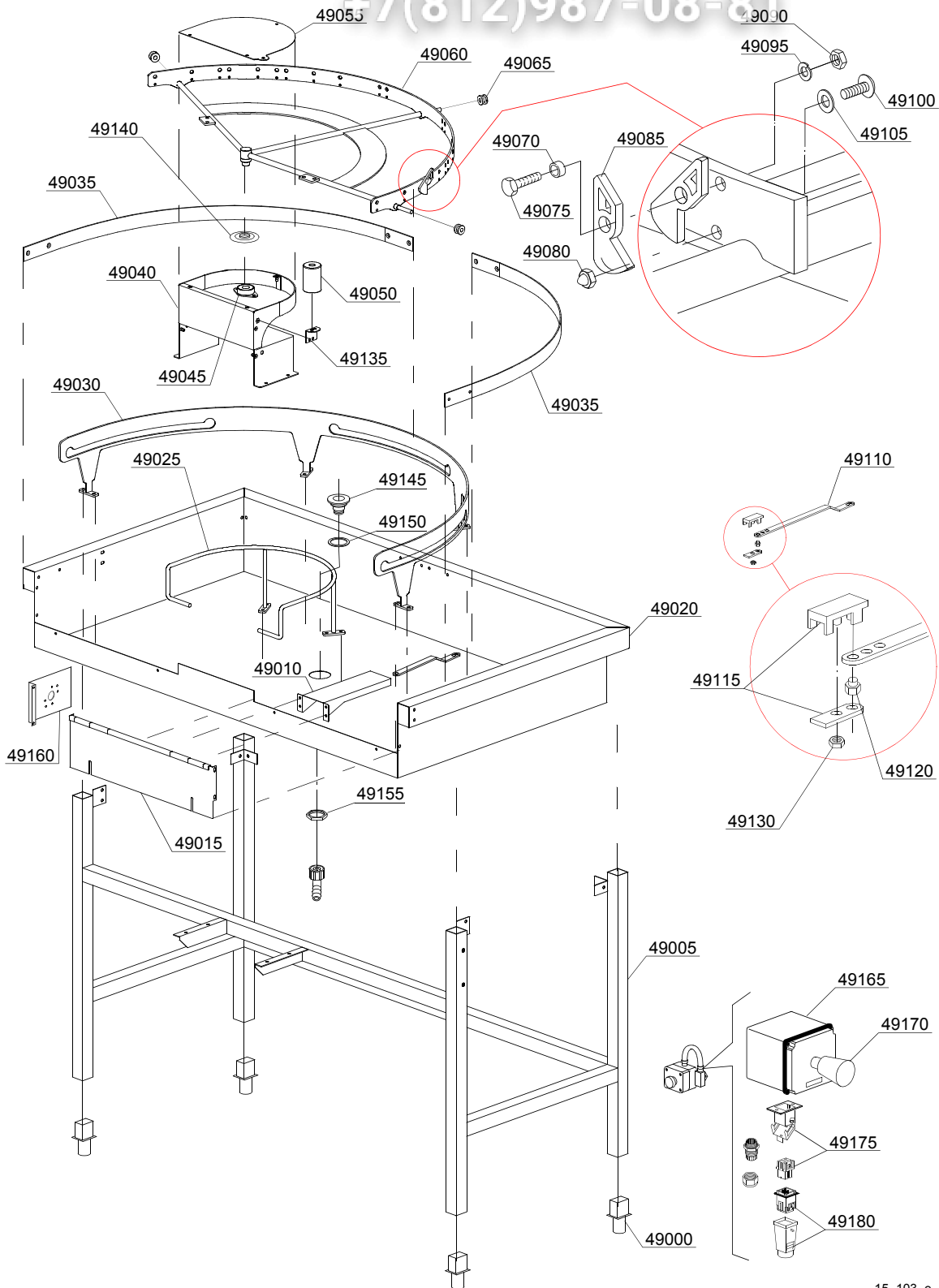
em=ELECTROMECHANICAL SWITCHES, e=ELECTRONICAL SWITCHES, uw=LOWER AND UPPER WASHER
24=24

hr=HEAT RECOVERY - TR98, hp=HEAT PUMP - TR99, sc9=STEAM CONDENSER - LC 91, csa=CONVEYOR SPEED ADJUSTING - LC 101, 972=90°MOTORIZED CHAIN CONVEYOR - LC 97/2, 973=180°MOTORIZED CHAIN CONVEYOR - LC 97/3, 974=DRYER WITH 90° MOTORIZED CHAIN CONVEYOR - LC 97/4, 975=DRYER WITH 180° MOTORIZED CHAIN CONVEYOR - LC 97/5, d9=DRYER - LC 90, d92=DRYER - LC 90/2, d929=DRYER - LC 90/900, cw=ADDITIONAL BOILER FOR COLD WATER SUPPLY, dvgw=DVGW VALVE SYSTEM, des=DETERGENT ECONOMIZER SYSTEM, szc9=SPLASH ZONE WITH CILINDER - LC 94, ti=TANK INSULATION, ds=DOUBLE SKIN, bp=BOOSTER PUMP, sdn3=DISPENSER SYSTEM SDN-3, 98=ANGLE LOADING TABLE - LC 98

A=3/N/PE~380-400V 50-60Hz, D=3/PE~200-210V 50-60Hz, F=2/PE~220-240V 50-60Hz, G=3/N/PE~415V 50-60Hz, H=3/PE~220-230V 50-60Hz, K=3/PE~380-400V 50-60Hz, L=3/PE~415V 50-60Hz, M=3/PE~440V 60Hz, P=1/N/PE~220-230V 50-60Hz, R=2/PE~220-240V 50-60Hz, U=1/N/PE~240V 50-60Hz, V=3/PE~240V 50-60Hz, W=1/N/PE~100-110V 50-60Hz

vsezip.ru

+7(812)987-08-81



15_103_e

| ID | P-code | SN from | SN to | Mod. | Acces | Volt | Description |
|---|---------|---------|-------|---------|-------|------|---|
| Module: Mecanized curve 180° - LC 77/3 | | | | | | | |
| 49000 | 3000252 | | - | em,e,uw | | | Adjustable food |
| 49005 | 3003133 | | - | em,e,uw | | | Chassis |
| 49010 | 3009717 | | - | em,e,uw | | | Guard |
| 49015 | 3009718 | | - | em,e,uw | | | Side panel to hook the machine |
| 49020 | 3009714 | | - | em,e,uw | | | Tank |
| 49025 | 3063011 | | - | em,e,uw | | | Basket side round assembly |
| 49030 | 3063013 | | - | em,e,uw | | | Guide assembly |
| 49035 | 3063014 | | - | em,e,uw | | | External basket slide |
| 49040 | 3009713 | | - | em,e,uw | | | Support with basket slide |
| 49045 | 3000260 | | - | em,e,uw | | | Flange |
| 49050 | 3000262 | | - | em,e,uw | | | Embossed roller |
| 49055 | 3009715 | | - | em,e,uw | | | Cover for the support with basket slide |
| 49060 | 3063012 | | - | em,e,uw | | | Central assembly |
| 49065 | 3063007 | | - | em,e,uw | | | External wheel |
| 49070 | 3003025 | | - | em,e,uw | | | 11,7x10x6 Bush |
| 49075 | 11109 | | - | em,e,uw | | | M10x25 inox screw |
| 49080 | 11707 | | - | em,e,uw | | | M5 inox nut |
| 49085 | 3063009 | | - | em,e,uw | | | Inox Clip |
| 49090 | 11179 | | - | em,e,uw | | | M10 inox nut |
| 49095 | 11609 | | - | em,e,uw | | | M8 inox washer |
| 49100 | 11197 | | - | em,e,uw | | | M5x10 TCB inox screw |
| 49105 | 11608 | | - | em,e,uw | | | M5 inox washer |
| 49110 | 3063015 | | - | em,e,uw | | | Machine connectin rod |
| 49115 | 3063008 | | - | em,e,uw | | | Axis machine coupling |
| 49120 | 3063010 | | - | em,e,uw | | | Axle machine coupling lock nut |
| 49130 | 11718 | | - | em,e,uw | | | M8 inox nut |
| 49135 | 3009716 | | - | em,e,uw | | | Stiffening square |
| 49140 | 3004161 | | - | em,e,uw | | | Protection disk |

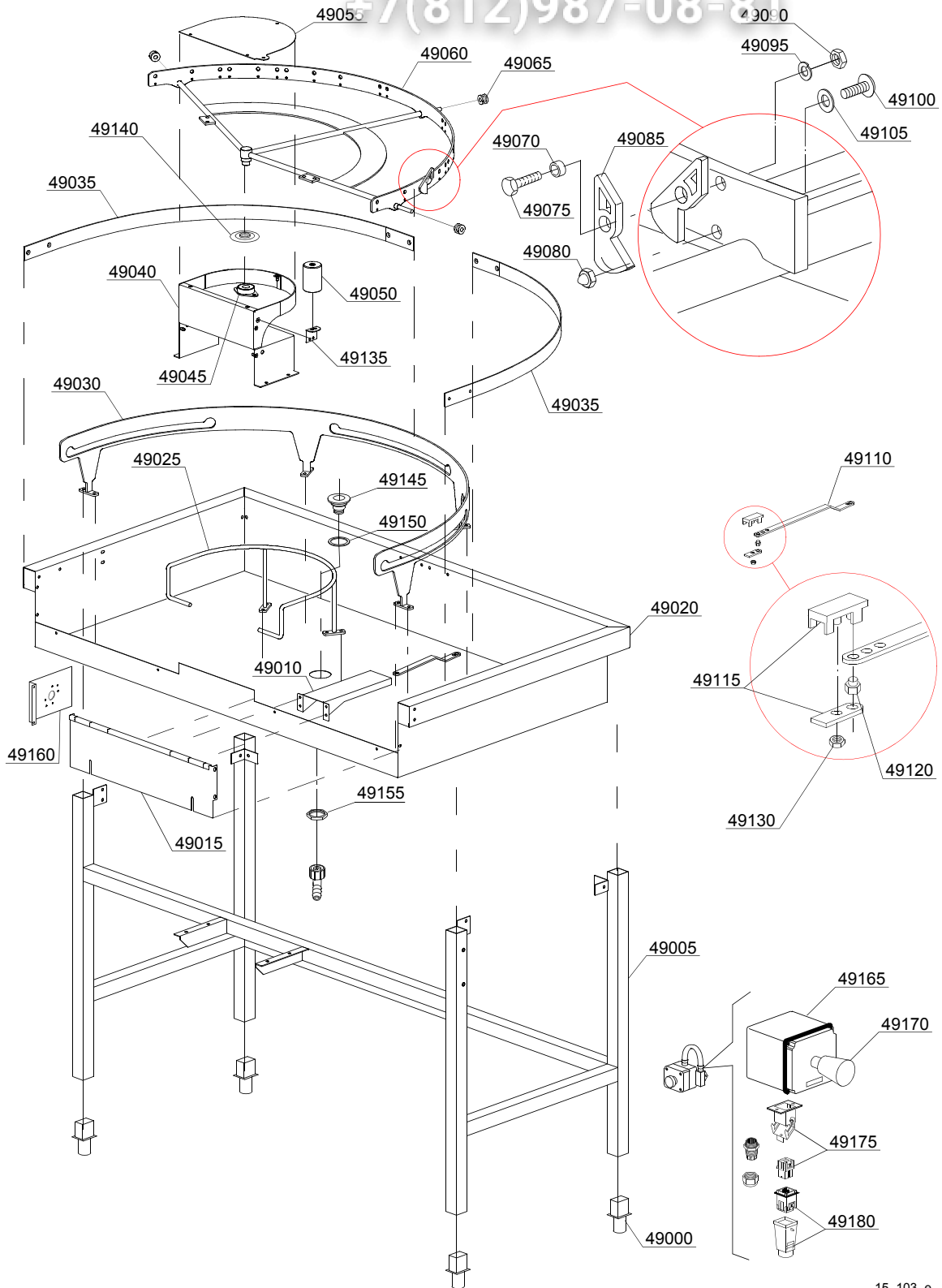
em=ELECTROMECHANICAL SWITCHES, e=ELECTRONICAL SWITCHES, uw=LOWER AND UPPER WASHER
24=24

hr=HEAT RECOVERY - TR98, hp=HEAT PUMP - TR99, sc9=STEAM CONDENSER - LC 91, csa=CONVEYOR SPEED ADJUSTING - LC 101, 972=90°MOTORIZED CHAIN CONVEYOR - LC 97/2, 973=180°MOTORIZED CHAIN CONVEYOR - LC 97/3, 974=DRYER WITH 90° MOTORIZED CHAIN CONVEYOR - LC 97/4, 975=DRYER WITH 180° MOTORIZED CHAIN CONVEYOR - LC 97/5, d9=DRYER - LC 90, d92=DRYER - LC 90/2, d929=DRYER - LC 90/900, cw=ADDITIONAL BOILER FOR COLD WATER SUPPLY, dvgw=DVGW VALVE SYSTEM, des=DETERGENT ECONOMIZER SYSTEM, szc9=SPLASH ZONE WITH CILINDER - LC 94, ti=TANK INSULATION, ds=DOUBLE SKIN, bp=BOOSTER PUMP, sdn3=DISPENSER SYSTEM SDN-3, 98=ANGLE LOADING TABLE - LC 98

A=3/N/PE~380-400V 50-60Hz, D=3/PE~200-210V 50-60Hz, F=2/PE~220-240V 50-60Hz, G=3/N/PE~415V 50-60Hz, H=3/PE~220-230V 50-60Hz, K=3/PE~380-400V 50-60Hz, L=3/PE~415V 50-60Hz, M=3/PE~440V 60Hz, P=1/N/PE~220-230V 50-60Hz, R=2/PE~220-240V 50-60Hz, U=1/N/PE~240V 50-60Hz, V=3/PE~240V 50-60Hz, W=1/N/PE~100-110V 50-60Hz

vsezip.ru

+7(812)987-08-81



15_103_e

vsezip.ru

| ID | P-code | SN from | SN to | Mod. | Acces | Volt | Description |
|--|------------|---------|-------|---------|-------|------|-------------------------------|
| Module:Mecanized curve 180° - LC 77/3 | | | | | | | |
| 49145 | 10200113 | | - | em,e,uw | | | Floor drain |
| 49150 | 10200173/A | | - | em,e,uw | | | 75x58x2 gasket |
| 49155 | 10200114 | | - | em,e,uw | | | Drain floor nut |
| 49160 | 3009393 | | - | em,e,uw | | | Teflon washer |
| 49165 | 3000264 | | - | em,e,uw | | | Emergency box |
| 49170 | 3000263 | | - | em,e,uw | | | Emergency switch |
| 49175 | 3000266 | | - | em,e,uw | | | Male connector with support |
| 49180 | 3000267 | | - | em,e,uw | | | Female connector with support |

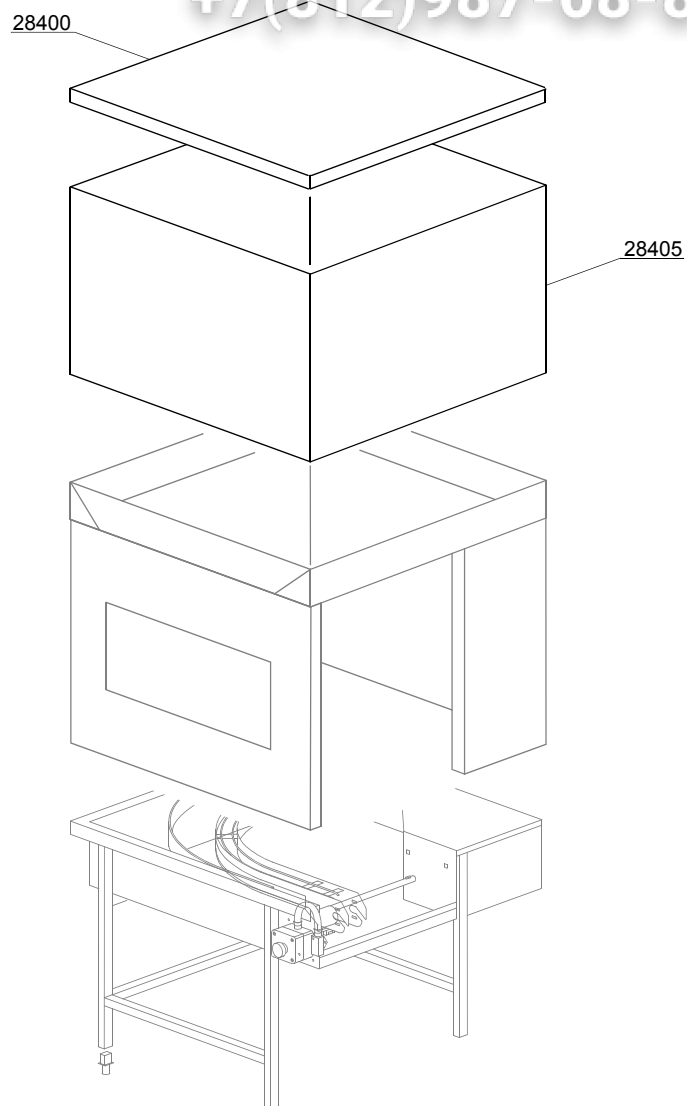
em=ELECTROMECHANICAL SWITCHES, e=ELECTRONICAL SWITCHES, uw=LOWER AND UPPER WASHER
24=24

hr=HEAT RECOVERY - TR98, hp=HEAT PUMP - TR99, sc9=STEAM CONDENSER - LC 91, csa=CONVEYOR SPEED ADJUSTING - LC 101, 972=90°MOTORIZED CHAIN CONVEYOR - LC 97/2, 973=180°MOTORIZED CHAIN CONVEYOR - LC 97/3, 974=DRYER WITH 90° MOTORIZED CHAIN CONVEYOR - LC 97/4, 975=DRYER WITH 180° MOTORIZED CHAIN CONVEYOR - LC 97/5, d9=DRYER - LC 90, d92=DRYER - LC 90/2, d929=DRYER - LC 90/900, cw=ADDITIONAL BOILER FOR COLD WATER SUPPLY, dvgw=DVGW VALVE SYSTEM, des=DETERGENT ECONOMIZER SYSTEM, szc9=SPLASH ZONE WITH CILINDER - LC 94, ti=TANK INSULATION, ds=DOUBLE SKIN, bp=BOOSTER PUMP, sdn3=DISPENSER SYSTEM SDN-3, 98=ANGLE LOADING TABLE - LC 98

A=3/N/PE~380-400V 50-60Hz, D=3/PE~200-210V 50-60Hz, F=2/PE~220-240V 50-60Hz, G=3/N/PE~415V 50-60Hz, H=3/PE~220-230V 50-60Hz, K=3/PE~380-400V 50-60Hz, L=3/PE~415V 50-60Hz, M=3/PE~440V 60Hz, P=1/N/PE~220-230V 50-60Hz, R=2/PE~220-240V 50-60Hz, U=1/N/PE~240V 50-60Hz, V=3/PE~240V 50-60Hz, W=1/N/PE~100-110V 50-60Hz

vsezip.ru

+7(812)987-08-81



15_101_e

| ID | P-code | SN from | SN to | Mod | Acces | Volt | Description |
|--|---------|---------|-------|---------|-------|------|-------------|
| Module: Dryer motorized curve 90° - LC 97/4 | | | | | | | |
| 28400 | 3009326 | | - | em,e,uw | | | Cover panel |
| 28405 | 3009511 | | - | em,e,uw | | | Carter |

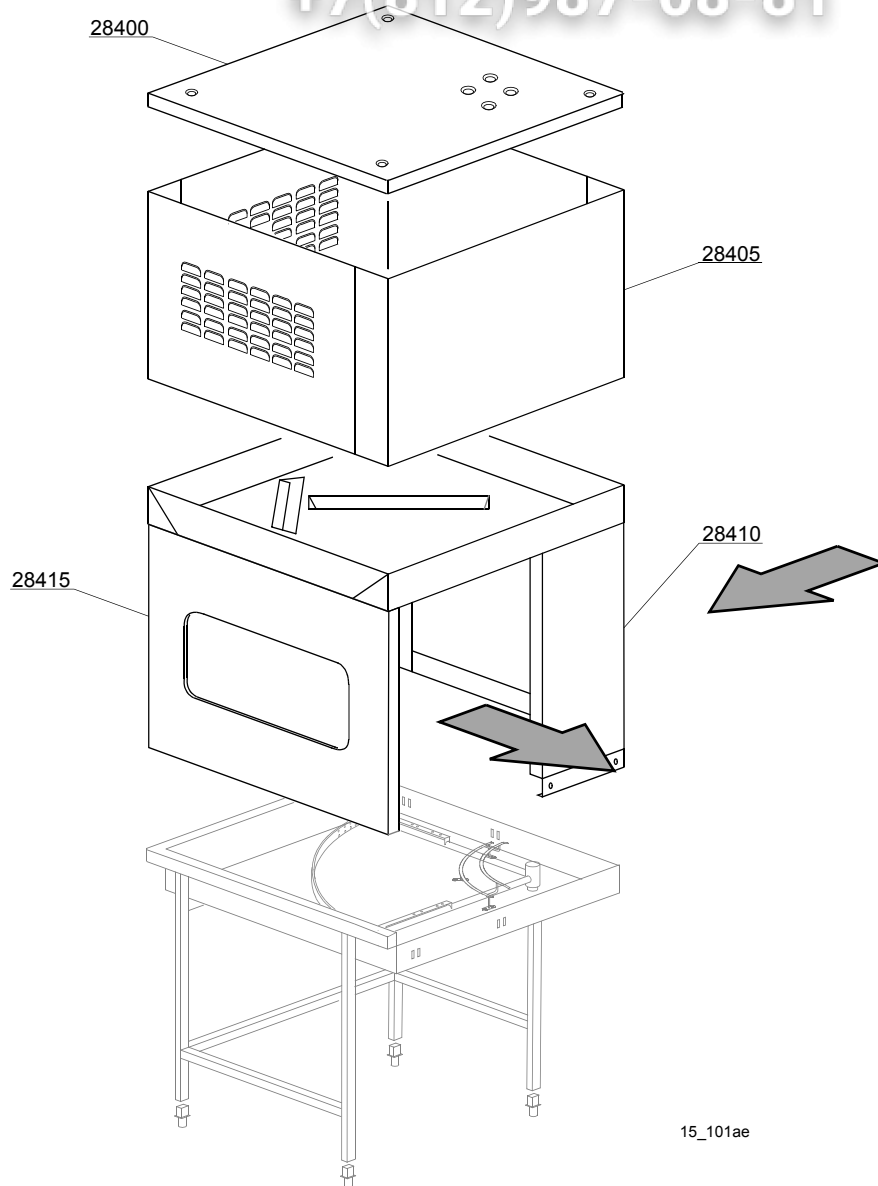
em=ELECTROMECHANICAL SWITCHES, e=ELECTRONICAL SWITCHES, uw=LOWER AND UPPER WASHER
24=24

hr=HEAT RECOVERY - TR98, hp=HEAT PUMP - TR99, sc9=STEAM CONDENSER - LC 91, csa=CONVEYOR SPEED
ADJUSTING - LC 101, 972=90°MOTORIZED CHAIN CONVEYOR - LC 97/2, 973=180°MOTORIZED CHAIN CON-
VEYOR - LC 97/3, 974=DRYER WITH 90° MOTORIZED CHAIN CONVEYOR - LC 97/4, 975=DRYER WITH 180° MO-
TORIZED CHAIN CONVEYOR - LC 97/5, d9=DRYER - LC 90, d92=DRYER - LC 90/2, d929=DRYER - LC 90/900,
cw=ADDITIONAL BOILER FOR COLD WATER SUPPLY, dvgw=DVGW VALVE SYSTEM, des=DETERGENT ECON-
OMIZER SYSTEM, szc9=SPLASH ZONE WITH CILINDER - LC 94, ti=TANK INSULATION, ds=DOUBLE SKIN,
bp=BOOSTER PUMP, sdn3=DISPENSER SYSTEM SDN-3, 98=ANGLE LOADING TABLE - LC 98

A=3/N/PE~380-400V 50-60Hz, D=3/PE~200-210V 50-60Hz, F=2/PE~220-240V 50-60Hz, G=3/N/PE~415V 50-60Hz,
H=3/PE~220-230V 50-60Hz, K=3/PE~380-400V 50-60Hz, L=3/PE~415V 50-60Hz, M=3/PE~440V 60Hz, P=1/N/PE~220-
230V 50-60Hz, R=2/PE~220-240V 50-60Hz, U=1/N/PE~240V 50-60Hz, V=3/PE~240V 50-60Hz, W=1/N/PE~100-110V
50-60Hz

vsezip.ru

+7(812)987-08-81



15_101ae

vsezip.ru

| ID | P-code | SN from | SN to | Mod. | Acces | Volt | Description |
|--|---------|---------|-------|---------|-------|------|------------------------------|
| Module: Dryer mechanics curve 90° - LC 77/4 | | | | | | | |
| 28400 | 3009710 | | - | em,e,uw | | | Cover panel |
| 28405 | 3009511 | | - | em,e,uw | | | Carter |
| 28410 | 3009709 | | - | em,e,uw | | | Dryer column mechanics curve |
| 28415 | 3009708 | | - | em,e,uw | | | Dryer mechanics plating 90° |

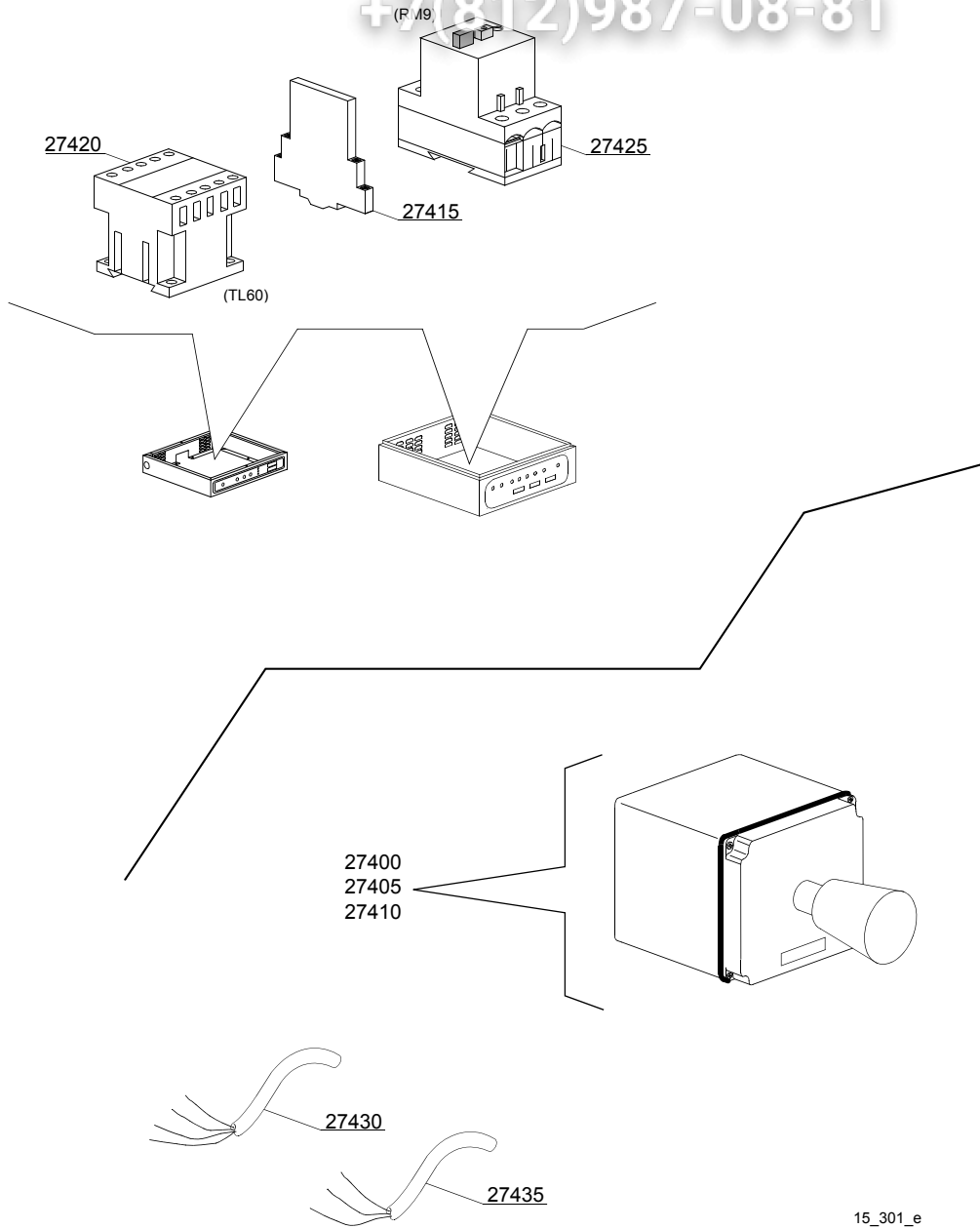
em=ELECTROMECHANICAL SWITCHES, e=ELECTRONICAL SWITCHES, uw=LOWER AND UPPER WASHER
24=24

hr=HEAT RECOVERY - TR98, hp=HEAT PUMP - TR99, sc9=STEAM CONDENSER - LC 91, csa=CONVEYOR SPEED ADJUSTING - LC 101, 972=90°MOTORIZED CHAIN CONVEYOR - LC 97/2, 973=180°MOTORIZED CHAIN CONVEYOR - LC 97/3, 974=DRYER WITH 90° MOTORIZED CHAIN CONVEYOR - LC 97/4, 975=DRYER WITH 180° MOTORIZED CHAIN CONVEYOR - LC 97/5, d9=DRYER - LC 90, d92=DRYER - LC 90/2, d929=DRYER - LC 90/900, cw=ADDITIONAL BOILER FOR COLD WATER SUPPLY, dvgw=DVGW VALVE SYSTEM, des=DETERGENT ECONOMIZER SYSTEM, szc9=SPLASH ZONE WITH CILINDER - LC 94, ti=TANK INSULATION, ds=DOUBLE SKIN, bp=BOOSTER PUMP, sdn3=DISPENSER SYSTEM SDN-3, 98=ANGLE LOADING TABLE - LC 98

A=3/N/PE~380-400V 50-60Hz, D=3/PE~200-210V 50-60Hz, F=2/PE~220-240V 50-60Hz, G=3/N/PE~415V 50-60Hz, H=3/PE~220-230V 50-60Hz, K=3/PE~380-400V 50-60Hz, L=3/PE~415V 50-60Hz, M=3/PE~440V 60Hz, P=1/N/PE~220-230V 50-60Hz, R=2/PE~220-240V 50-60Hz, U=1/N/PE~240V 50-60Hz, V=3/PE~240V 50-60Hz, W=1/N/PE~100-110V 50-60Hz

vsezip.ru

+7(812)987-08-81



15_301_e

| ID | P-code | SN from | SN to | Mod | Acces. | Volt | Description |
|--|---------|---------|-------|---------|--------|------|--|
| Module: Motorized curve 90° - LC 97/2: electric parts | | | | | | | |
| 27400 | 3000264 | | - | em,e,uw | | | Emergency box |
| 27405 | 3000263 | | - | em,e,uw | | | Emergency switch |
| 27410 | 3002059 | | - | em,e,uw | | | 1R contact |
| 27415 | 3006080 | | - | em,e,uw | | | Auxiliary contact LMS25 |
| 27420 | 2000370 | | - | em,e,uw | | | Contactora MC9 |
| 27425 | 2000389 | | - | em,e,uw | | | Motorprotector 0,63 - 1A (vers.400 VaC 3N) |
| 27425 | 2000390 | | - | em,e,uw | | | Motorprotector 1 - 1.6A |
| 27430 | 3006134 | | - | em,e,uw | | | Flame-retardant cable 4x1,5mm |
| 27435 | 3006136 | | - | em,e,uw | | | Flame-retardant cable 3x1mm |

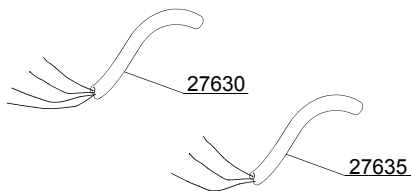
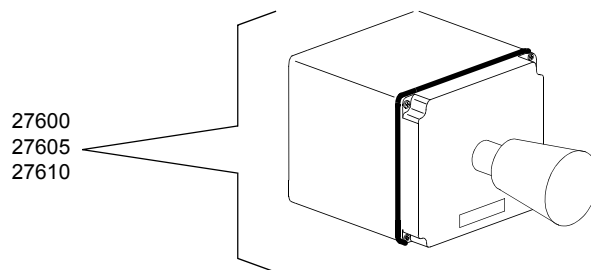
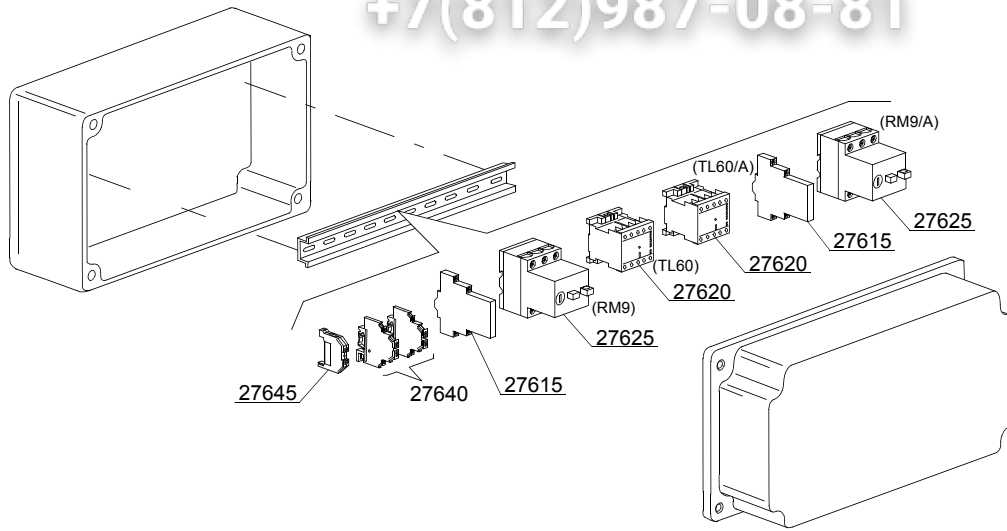
em=ELECTROMECHANICAL SWITCHES, e=ELECTRONICAL SWITCHES, uw=LOWER AND UPPER WASHER
24=24

hr=HEAT RECOVERY - TR98, hp=HEAT PUMP - TR99, sc9=STEAM CONDENSER - LC 91, csa=CONVEYOR SPEED
ADJUSTING - LC 101, 972=90°MOTORIZED CHAIN CONVEYOR - LC 97/2, 973=180°MOTORIZED CHAIN CON-
VEYOR - LC 97/3, 974=DRYER WITH 90° MOTORIZED CHAIN CONVEYOR - LC 97/4, 975=DRYER WITH 180° MO-
TORIZED CHAIN CONVEYOR - LC 97/5, d9=DRYER - LC 90, d92=DRYER - LC 90/2, d929=DRYER - LC 90/900,
cw=ADDITIONAL BOILER FOR COLD WATER SUPPLY, dvgw=DVGW VALVE SYSTEM, des=DETERGENT ECON-
OMIZER SYSTEM, szc9=SPLASH ZONE WITH CILINDER - LC 94, ti=TANK INSULATION, ds=DOUBLE SKIN,
bp=BOOSTER PUMP, sdn3=DISPENSER SYSTEM SDN-3, 98=ANGLE LOADING TABLE - LC 98

A=3/N/PE~380-400V 50-60Hz, D=3/PE~200-210V 50-60Hz, F=2/PE~220-240V 50-60Hz, G=3/N/PE~415V 50-60Hz,
H=3/PE~220-230V 50-60Hz, K=3/PE~380-400V 50-60Hz, L=3/PE~415V 50-60Hz, M=3/PE~440V 60Hz, P=1/N/PE~220-
230V 50-60Hz, R=2/PE~220-240V 50-60Hz, U=1/N/PE~240V 50-60Hz, V=3/PE~240V 50-60Hz, W=1/N/PE~100-110V
50-60Hz

vsezip.ru

+7(812)987-08-81



15_303_e

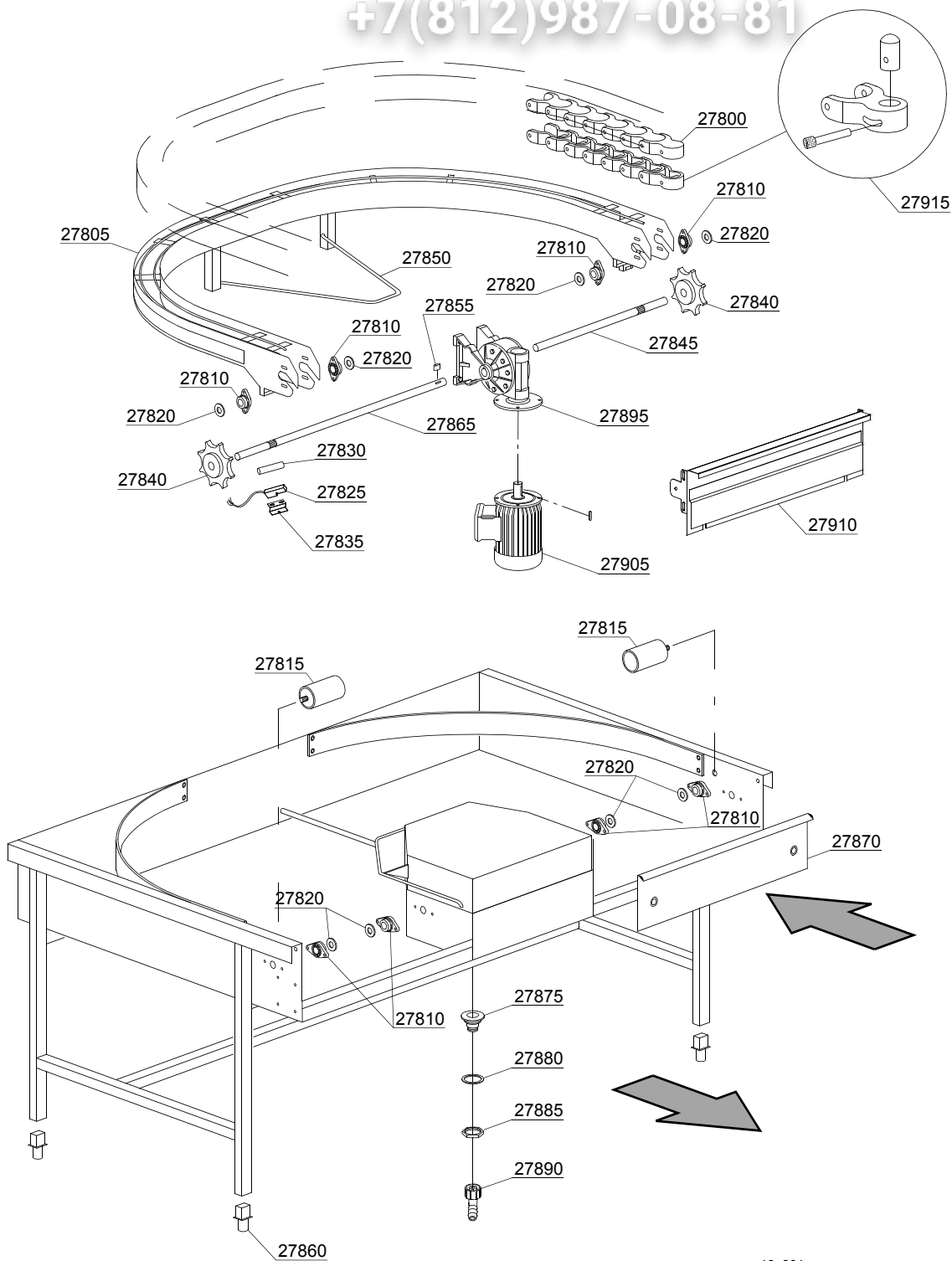
| ID | P-code | SN from | SN to | Mod | Acces. | Volt | Description |
|--|----------|---------|-------|---------|--------|------|--|
| Module: Motorized curve 90° - LC 97/2: electric parts double speed remote control | | | | | | | |
| 27600 | 3000264 | | - | em,e,uw | | | Emergency box |
| 27605 | 3000263 | | - | em,e,uw | | | Emergency switch |
| 27610 | 3002059 | | - | em,e,uw | | | IR contact |
| 27615 | 3006080 | | - | em,e,uw | | | Auxiliary contact LMS25 |
| 27620 | 2000370 | | - | em,e,uw | | | Contacteur MC9 |
| 27625 | 2000389 | | - | em,e,uw | | | Motorprotector 0,63 - 1A (vers.400 VaC 3N) |
| 27625 | 2000390 | | - | em,e,uw | | | Motorprotector 1 - 1.6A |
| 27630 | 3006134 | | - | em,e,uw | | | Flame-retardant cable 4x1,5mm |
| 27635 | 3006136 | | - | em,e,uw | | | Flame-retardant cable 3x1mm |
| 27640 | 3006092 | | - | em,e,uw | | | Clamp 4mm ² |
| 27645 | 10300401 | | - | em,e,uw | | | Earth clamp 4mm ² |

em=ELECTROMECHANICAL SWITCHES, e=ELECTRONICAL SWITCHES, uw=LOWER AND UPPER WASHER
24=24

hr=HEAT RECOVERY - TR98, hp=HEAT PUMP - TR99, sc9=STEAM CONDENSER - LC 91, csa=CONVEYOR SPEED ADJUSTING - LC 101, 972=90°MOTORIZED CHAIN CONVEYOR - LC 97/2, 973=180°MOTORIZED CHAIN CONVEYOR - LC 97/3, 974=DRYER WITH 90° MOTORIZED CHAIN CONVEYOR - LC 97/4, 975=DRYER WITH 180° MOTORIZED CHAIN CONVEYOR - LC 97/5, d9=DRYER - LC 90, d92=DRYER - LC 90/2, d929=DRYER - LC 90/900, cw=ADDITIONAL BOILER FOR COLD WATER SUPPLY, dvgw=DVGW VALVE SYSTEM, des=DETERGENT ECONOMIZER SYSTEM, szc9=SPLASH ZONE WITH CILINDER - LC 94, ti=TANK INSULATION, ds=DOUBLE SKIN, bp=BOOSTER PUMP, sdn3=DISPENSER SYSTEM SDN-3, 98=ANGLE LOADING TABLE - LC 98
A=3/N/PE~380-400V 50-60Hz, D=3/PE~200-210V 50-60Hz, F=2/PE~220-240V 50-60Hz, G=3/N/PE~415V 50-60Hz, H=3/PE~220-230V 50-60Hz, K=3/PE~380-400V 50-60Hz, L=3/PE~415V 50-60Hz, M=3/PE~440V 60Hz, P=1/N/PE~220-230V 50-60Hz, R=2/PE~220-240V 50-60Hz, U=1/N/PE~240V 50-60Hz, V=3/PE~240V 50-60Hz, W=1/N/PE~100-110V 50-60Hz

vsezip.ru

+7(812)987-08-81



16_001_e

| ID | P-code | SN from | SN to | Mod. | Acces | Volt | Description |
|---|----------|---------|-------|---------|-------|------|-------------------------------------|
| Module: Motorized curve 180° - LC 97/3 | | | | | | | |
| 27800 | 3000259 | | - | em,e,uw | | | Chain for roller |
| 27805 | 3003056 | | - | em,e,uw | | | Kit guide for chain |
| 27810 | 3000260 | | - | em,e,uw | | | Flange for chain |
| 27815 | 3000262 | | - | em,e,uw | | | Ø50x80 embossment roller |
| 27820 | 3003048 | | - | em,e,uw | | | Spacer for bearings |
| 27825 | 3003112 | | - | em,e,uw | | | Door microswitch |
| 27830 | 80232 | | - | em,e,uw | | | Magnet for reed |
| 27835 | 3009112 | | - | em,e,uw | | | Holder for reed micro door |
| 27840 | 3000261 | | - | em,e,uw | | | 8 teeth pinion |
| 27845 | 3003051 | | - | em,e,uw | | | Neutral shaft for chain |
| 27850 | 3003053 | | - | em,e,uw | | | Lifting arm for chain guide |
| 27855 | 2001045 | | - | em,e,uw | | | 6x6x25 machine key |
| 27860 | 3000252 | | - | em,e,uw | | | Adjustable food |
| 27865 | 3003047 | | - | em,e,uw | | | Shaft for chain rotation |
| 27870 | 3009609 | | - | em,e,uw | | | Protection panel |
| 27875 | 10200113 | | - | em,e,uw | | | Floor drain |
| 27880 | 10200173 | | - | em,e,uw | | | 75x58x2 gasket |
| 27885 | 10200114 | | - | em,e,uw | | | Drain floor nut |
| 27890 | 15613 | | - | em,e,uw | | | 1" 1/4x30 nylon elbow |
| 27895 | 3000253 | | - | em,e,uw | | | Gear right 1:100 |
| 27895 | 3000254 | | - | em,e,uw | | | Gear right 1:100 |
| 27905 | 3000102 | | - | em,e,uw | | A | Conveyor motor - 8P 230/400V 50HZ |
| 27905 | 3000110 | | - | em,e,uw | | A | Conveyor motor - 6/8P 400/415V 50HZ |
| 27905 | 3000109 | | - | em,e,uw | | | Conveyor motor - 6/8P 230V 50HZ |
| 27905 | 3000251 | | - | em,e,uw | | A | Conveyor motor - 0,18HP - LC97 |
| 27915 | 3000270 | | - | em,e,uw | | | Rack-push+Support+Pivot |

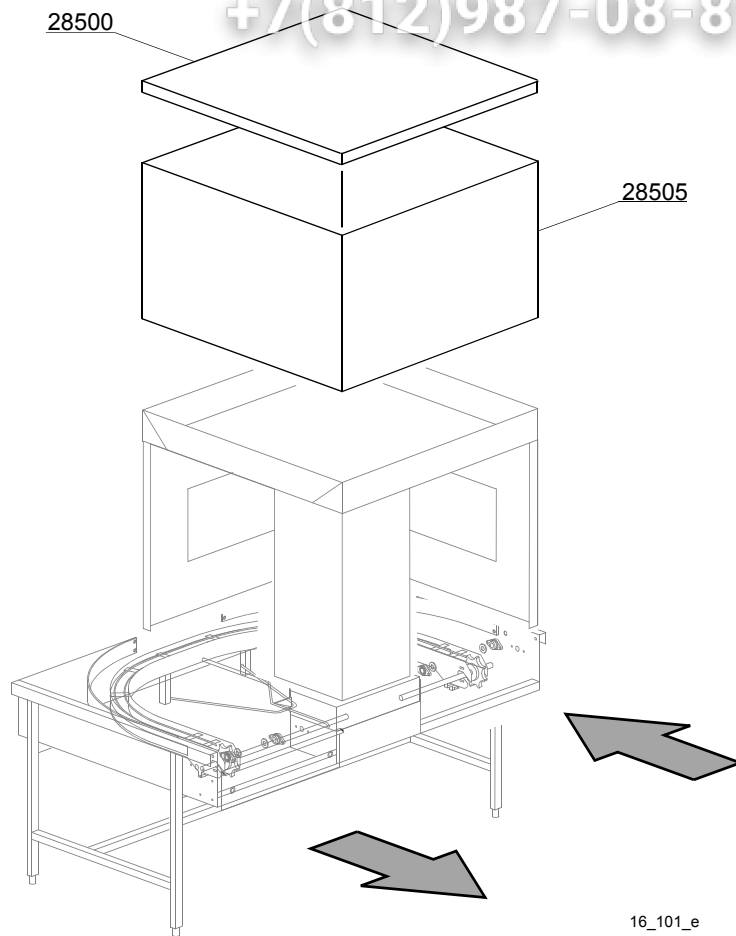
em=ELECTROMECHANICAL SWITCHES, e=ELECTRONICAL SWITCHES, uw=LOWER AND UPPER WASHER
24=24

hr=HEAT RECOVERY - TR98, hp=HEAT PUMP - TR99, sc9=STEAM CONDENSER - LC 91, csa=CONVEYOR SPEED ADJUSTING - LC 101, 972=90°MOTORIZED CHAIN CONVEYOR - LC 97/2, 973=180°MOTORIZED CHAIN CONVEYOR - LC 97/3, 974=DRYER WITH 90° MOTORIZED CHAIN CONVEYOR - LC 97/4, 975=DRYER WITH 180° MOTORIZED CHAIN CONVEYOR - LC 97/5, d9=DRYER - LC 90, d92=DRYER - LC 90/2, d929=DRYER - LC 90/900, cw=ADDITIONAL BOILER FOR COLD WATER SUPPLY, dvgw=DVGW VALVE SYSTEM, des=DETERGENT ECONOMIZER SYSTEM, szc9=SPLASH ZONE WITH CILINDER - LC 94, ti=TANK INSULATION, ds=DOUBLE SKIN, bp=BOOSTER PUMP, sdn3=DISPENSER SYSTEM SDN-3, 98=ANGLE LOADING TABLE - LC 98

A=3/N/PE~380-400V 50-60Hz, D=3/PE~200-210V 50-60Hz, F=2/PE~220-240V 50-60Hz, G=3/N/PE~415V 50-60Hz, H=3/PE~220-230V 50-60Hz, K=3/PE~380-400V 50-60Hz, L=3/PE~415V 50-60Hz, M=3/PE~440V 60Hz, P=1/N/PE~220-230V 50-60Hz, R=2/PE~220-240V 50-60Hz, U=1/N/PE~240V 50-60Hz, V=3/PE~240V 50-60Hz, W=1/N/PE~100-110V 50-60Hz

vsezip.ru

+7(812)987-08-81



16_101_e

| ID | P-code | SN from | SN to | Mod | Acces. | Volt | Description |
|---|---------|---------|-------|---------|--------|------|-------------|
| Module: Dryer motorized curve 180° - LC 97/5 | | | | | | | |
| 28500 | 3009326 | | - | em,e,uw | | | Cover panel |
| 28505 | 3009511 | | - | em,e,uw | | | Carter |

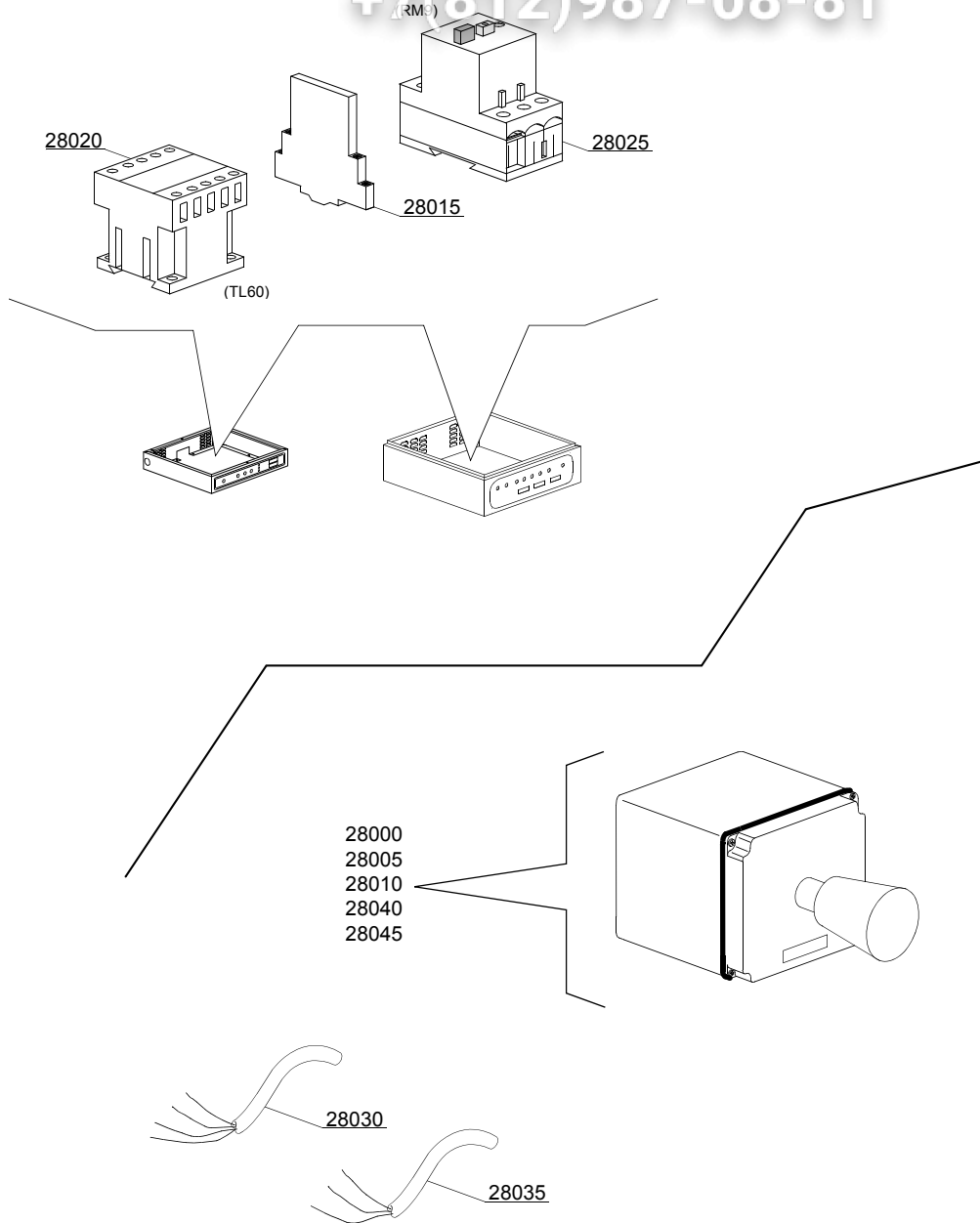
em=ELECTROMECHANICAL SWITCHES, e=ELECTRONICAL SWITCHES, uw=LOWER AND UPPER WASHER
24=24

hr=HEAT RECOVERY - TR98, hp=HEAT PUMP - TR99, sc9=STEAM CONDENSER - LC 91, csa=CONVEYOR SPEED
ADJUSTING - LC 101, 972=90°MOTORIZED CHAIN CONVEYOR - LC 97/2, 973=180°MOTORIZED CHAIN CON-
VEYOR - LC 97/3, 974=DRYER WITH 90° MOTORIZED CHAIN CONVEYOR - LC 97/4, 975=DRYER WITH 180° MO-
TORIZED CHAIN CONVEYOR - LC 97/5, d9=DRYER - LC 90, d92=DRYER - LC 90/2, d929=DRYER - LC 90/900,
cw=ADDITIONAL BOILER FOR COLD WATER SUPPLY, dvgw=DVGW VALVE SYSTEM, des=DETERGENT ECON-
OMIZER SYSTEM, szc9=SPLASH ZONE WITH CILINDER - LC 94, ti=TANK INSULATION, ds=DOUBLE SKIN,
bp=BOOSTER PUMP, sdn3=DISPENSER SYSTEM SDN-3, 98=ANGLE LOADING TABLE - LC 98

A=3/N/PE~380-400V 50-60Hz, D=3/PE~200-210V 50-60Hz, F=2/PE~220-240V 50-60Hz, G=3/N/PE~415V 50-60Hz,
H=3/PE~220-230V 50-60Hz, K=3/PE~380-400V 50-60Hz, L=3/PE~415V 50-60Hz, M=3/PE~440V 60Hz, P=1/N/PE~220-
230V 50-60Hz, R=2/PE~220-240V 50-60Hz, U=1/N/PE~240V 50-60Hz, V=3/PE~240V 50-60Hz, W=1/N/PE~100-110V
50-60Hz

vsezip.ru

+7(812)987-08-81



16_301_e

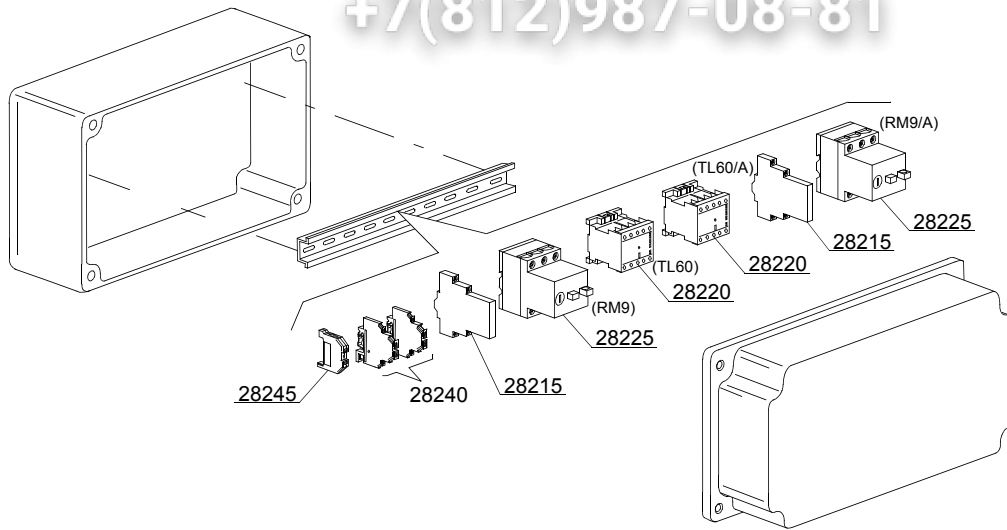
| ID | P-code | SN from | SN to | Mod. | Acces. | Volt | Description |
|---|---------|---------|-------|---------|--------|------|--|
| Module: Motorized curve 180° - LC 97/3: electric parts | | | | | | | |
| 28000 | 3000264 | | - | em,e,uw | | | Emergency box |
| 28005 | 3000263 | | - | em,e,uw | | | Emergency switch |
| 28010 | 3002059 | | - | em,e,uw | | | 1R contact |
| 28015 | 3006080 | | - | em,e,uw | | | Auxiliary contact LMS25 |
| 28020 | 2000370 | | - | em,e,uw | | | Contacteur MC9 |
| 28025 | 2000390 | | - | em,e,uw | | | Motorprotector 1 - 1.6A |
| 28025 | 2000389 | | - | em,e,uw | | | Motorprotector 0,63 - 1A (vers.400 VaC 3N) |
| 28030 | 3006134 | | - | em,e,uw | | | Flame-retardant cable 4x1,5mm |
| 28035 | 3006136 | | - | em,e,uw | | | Flame-retardant cable 3x1mm |
| 28040 | 3000266 | | - | em,e,uw | | | Male connector with support |
| 28045 | 3000267 | | - | em,e,uw | | | Female connector with support |

em=ELECTROMECHANICAL SWITCHES, e=ELECTRONICAL SWITCHES, uw=LOWER AND UPPER WASHER
24=24

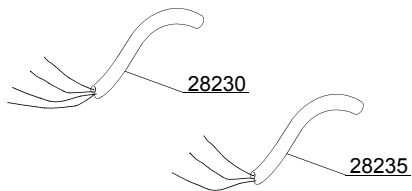
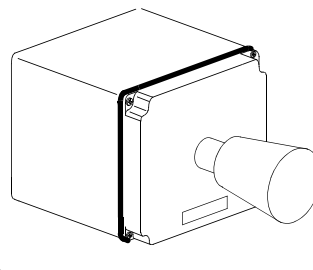
hr=HEAT RECOVERY - TR98, hp=HEAT PUMP - TR99, sc9=STEAM CONDENSER - LC 91, csa=CONVEYOR SPEED ADJUSTING - LC 101, 972=90°MOTORIZED CHAIN CONVEYOR - LC 97/2, 973=180°MOTORIZED CHAIN CONVEYOR - LC 97/3, 974=DRYER WITH 90° MOTORIZED CHAIN CONVEYOR - LC 97/4, 975=DRYER WITH 180° MOTORIZED CHAIN CONVEYOR - LC 97/5, d9=DRYER - LC 90, d92=DRYER - LC 90/2, d929=DRYER - LC 90/900, cw=ADDITIONAL BOILER FOR COLD WATER SUPPLY, dvgw=DVGW VALVE SYSTEM, des=DETERGENT ECONOMIZER SYSTEM, szc9=SPLASH ZONE WITH CILINDER - LC 94, ti=TANK INSULATION, ds=DOUBLE SKIN, bp=BOOSTER PUMP, sdn3=DISPENSER SYSTEM SDN-3, 98=ANGLE LOADING TABLE - LC 98
A=3/N/PE~380-400V 50-60Hz, D=3/PE~200-210V 50-60Hz, F=2/PE~220-240V 50-60Hz, G=3/N/PE~415V 50-60Hz, H=3/PE~220-230V 50-60Hz, K=3/PE~380-400V 50-60Hz, L=3/PE~415V 50-60Hz, M=3/PE~440V 60Hz, P=1/N/PE~220-230V 50-60Hz, R=2/PE~220-240V 50-60Hz, U=1/N/PE~240V 50-60Hz, V=3/PE~240V 50-60Hz, W=1/N/PE~100-110V 50-60Hz

vsezip.ru

+7(812)987-08-81



- 28200
- 28205
- 28210
- 28250
- 28255



16_303_e

| ID | P-code | SN from | SN to | Mod. | Acces. | Volt | Description |
|---|----------|---------|-------|---------|--------|------|--|
| Module: Motorized curve 180° - LC 97/3: electric parts double speed - remote control | | | | | | | |
| 28200 | 3000264 | | - | em,e,uw | | | Emergency box |
| 28205 | 3000263 | | - | em,e,uw | | | Emergency switch |
| 28210 | 3002059 | | - | em,e,uw | | | 1R contact |
| 28215 | 3006080 | | - | em,e,uw | | | Auxiliary contact LMS25 |
| 28220 | 2000370 | | - | em,e,uw | | | Contacteur MC9 |
| 28225 | 2000390 | | - | em,e,uw | | | Motorprotector 1 - 1.6A |
| 28225 | 2000389 | | - | em,e,uw | | | Motorprotector 0,63 - 1A (vers.400 VaC 3N) |
| 28230 | 3006134 | | - | em,e,uw | | | Flame-retardant cable 4x1,5mm |
| 28235 | 3006136 | | - | em,e,uw | | | Flame-retardant cable 3x1mm |
| 28240 | 3006092 | | - | em,e,uw | | | Clamp 4mm ² |
| 28245 | 10300401 | | - | em,e,uw | | | Earth clamp 4mm ² |
| 28250 | 3000266 | | - | em,e,uw | | | Male connector with support |
| 28255 | 3000267 | | - | em,e,uw | | | Female connector with support |

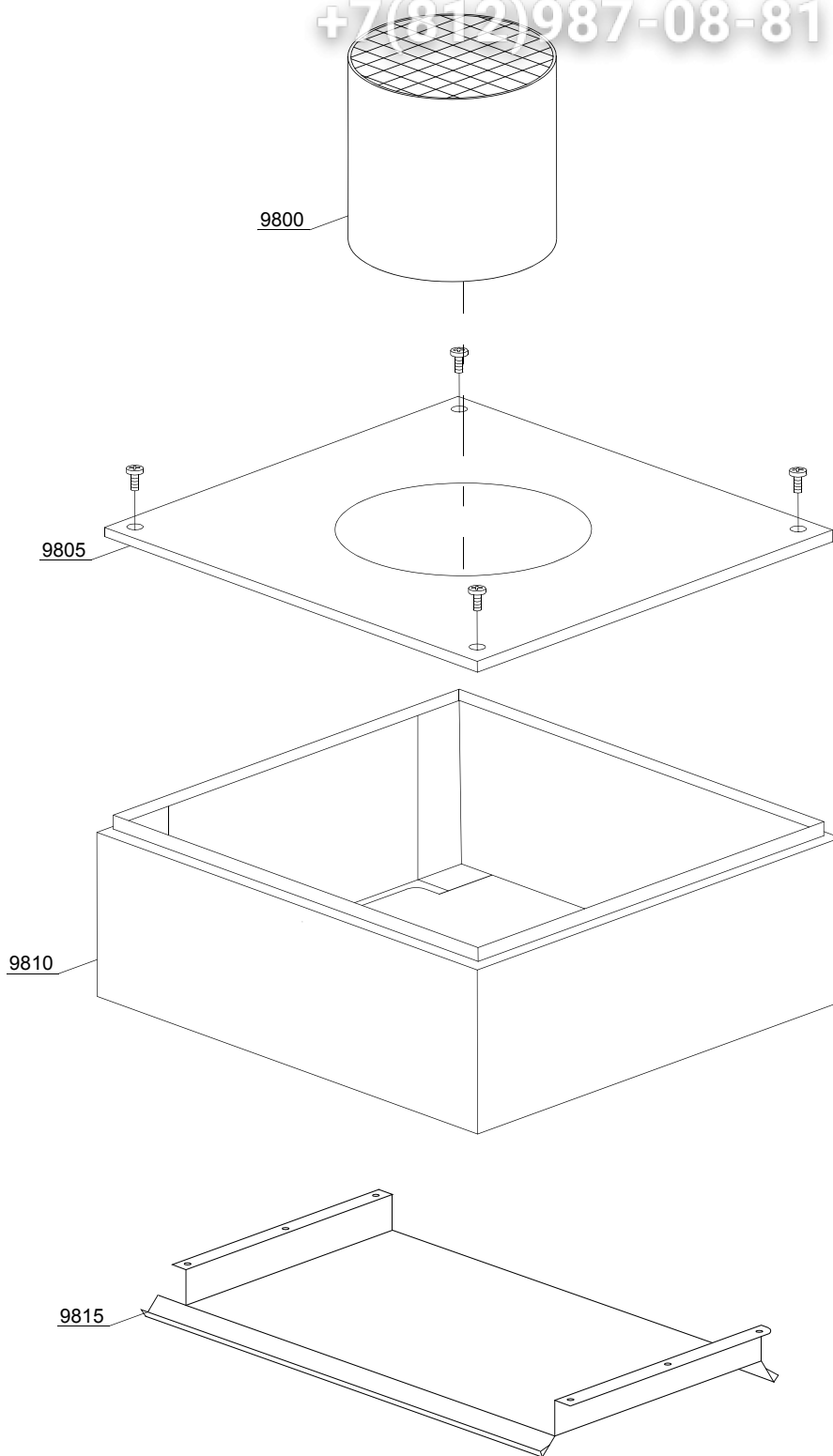
em=ELECTROMECHANICAL SWITCHES, e=ELECTRONICAL SWITCHES, uw=LOWER AND UPPER WASHER
24=24

hr=HEAT RECOVERY - TR98, hp=HEAT PUMP - TR99, sc9=STEAM CONDENSER - LC 91, csa=CONVEYOR SPEED
ADJUSTING - LC 101, 972=90°MOTORIZED CHAIN CONVEYOR - LC 97/2, 973=180°MOTORIZED CHAIN CON-
VEYOR - LC 97/3, 974=DRYER WITH 90° MOTORIZED CHAIN CONVEYOR - LC 97/4, 975=DRYER WITH 180° MO-
TORIZED CHAIN CONVEYOR - LC 97/5, d9=DRYER - LC 90, d92=DRYER - LC 90/2, d929=DRYER - LC 90/900,
cw=ADDITIONAL BOILER FOR COLD WATER SUPPLY, dvgw=DVGW VALVE SYSTEM, des=DETERGENT ECON-
OMIZER SYSTEM, szc9=SPLASH ZONE WITH CILINDER - LC 94, ti=TANK INSULATION, ds=DOUBLE SKIN,
bp=BOOSTER PUMP, sdn3=DISPENSER SYSTEM SDN-3, 98=ANGLE LOADING TABLE - LC 98

A=3/N/PE~380-400V 50-60Hz, D=3/PE~200-210V 50-60Hz, F=2/PE~220-240V 50-60Hz, G=3/N/PE~415V 50-60Hz,
H=3/PE~220-230V 50-60Hz, K=3/PE~380-400V 50-60Hz, L=3/PE~415V 50-60Hz, M=3/PE~440V 60Hz, P=1/N/PE~220-
230V 50-60Hz, R=2/PE~220-240V 50-60Hz, U=1/N/PE~240V 50-60Hz, V=3/PE~240V 50-60Hz, W=1/N/PE~100-110V
50-60Hz

vsezip.ru

+7(812)987-08-81



18_001_e

vsezip.ru

| ID | P-code | SN from | SN to | Mod. | Acces | Volt | Description |
|--|---------|---------|-------|---------|-------|------|-----------------|
| Module: Steam condenser LC91 - part 1 | | | | | | | |
| 9800 | 3009499 | | - | em,e,uw | | | Chimney |
| 9805 | 3009306 | | - | em,e,uw | | | Cover with hole |
| 9810 | 3009502 | | - | em,e,uw | | | Complete body |
| 9815 | 3009090 | | - | em,e,uw | | | Suction group |

em=ELECTROMECHANICAL SWITCHES, e=ELECTRONICAL SWITCHES, uw=LOWER AND UPPER WASHER
24=24

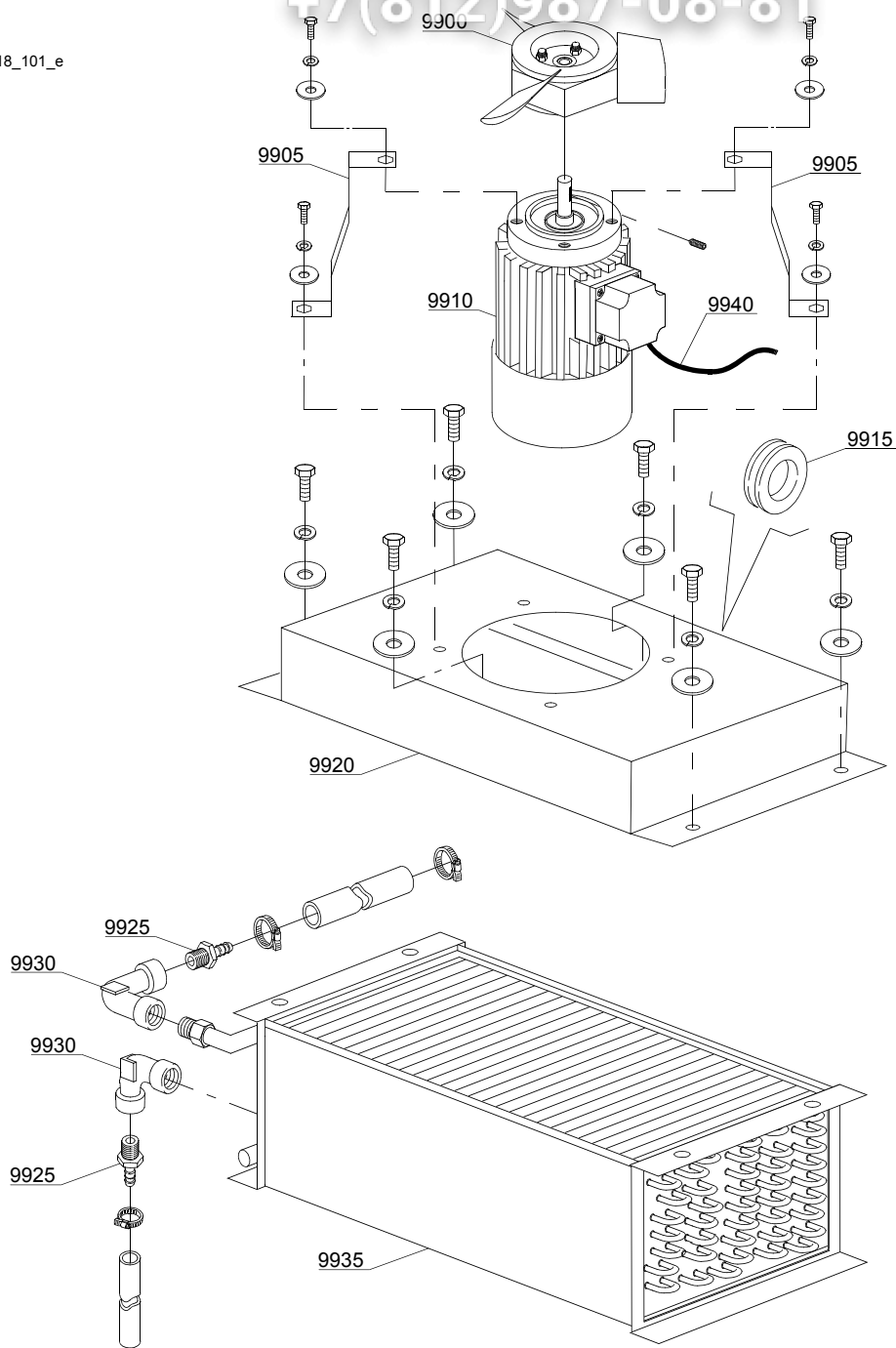
hr=HEAT RECOVERY - TR98, hp=HEAT PUMP - TR99, sc9=STEAM CONDENSER - LC 91, csa=CONVEYOR SPEED ADJUSTING - LC 101, 972=90°MOTORIZED CHAIN CONVEYOR - LC 97/2, 973=180°MOTORIZED CHAIN CONVEYOR - LC 97/3, 974=DRYER WITH 90° MOTORIZED CHAIN CONVEYOR - LC 97/4, 975=DRYER WITH 180° MOTORIZED CHAIN CONVEYOR - LC 97/5, d9=DRYER - LC 90, d92=DRYER - LC 90/2, d929=DRYER - LC 90/900, cw=ADDITIONAL BOILER FOR COLD WATER SUPPLY, dvgw=DVGW VALVE SYSTEM, des=DETERGENT ECONOMIZER SYSTEM, szc9=SPLASH ZONE WITH CILINDER - LC 94, ti=TANK INSULATION, ds=DOUBLE SKIN, bp=BOOSTER PUMP, sdn3=DISPENSER SYSTEM SDN-3, 98=ANGLE LOADING TABLE - LC 98

A=3/N/PE~380-400V 50-60Hz, D=3/PE~200-210V 50-60Hz, F=2/PE~220-240V 50-60Hz, G=3/N/PE~415V 50-60Hz, H=3/PE~220-230V 50-60Hz, K=3/PE~380-400V 50-60Hz, L=3/PE~415V 50-60Hz, M=3/PE~440V 60Hz, P=1/N/PE~220-230V 50-60Hz, R=2/PE~220-240V 50-60Hz, U=1/N/PE~240V 50-60Hz, V=3/PE~240V 50-60Hz, W=1/N/PE~100-110V 50-60Hz

vsezip.ru

+7(812)987-08-81

18_101_e



| ID | P-code | SN from | SN to | Mod | Acces. | Volt | Description |
|--|---------|---------|-------|---------|--------|------|---------------------------------|
| Module: Steam condenser LC91 - part 2 | | | | | | | |
| 9900 | 3000125 | | - | em,e,uw | | | Impeller fan |
| 9905 | 3009106 | | - | em,e,uw | | | Motor holder |
| 9910 | 3000120 | | - | em,e,uw | | A | Motor - 0,18KW 4P 230/400V 50HZ |
| 9915 | 13329 | | - | em,e,uw | | | Fairlead |
| 9920 | 3009079 | | - | em,e,uw | | | Steam condenser base |
| 9925 | 12023 | | - | em,e,uw | | | Hose holder |
| 9930 | 3002139 | | - | em,e,uw | | | Elbow |
| 9935 | 3000155 | | - | em,e,uw | | | Heating recovery battery |
| 9940 | 15184 | | - | em,e,uw | | | Cable |

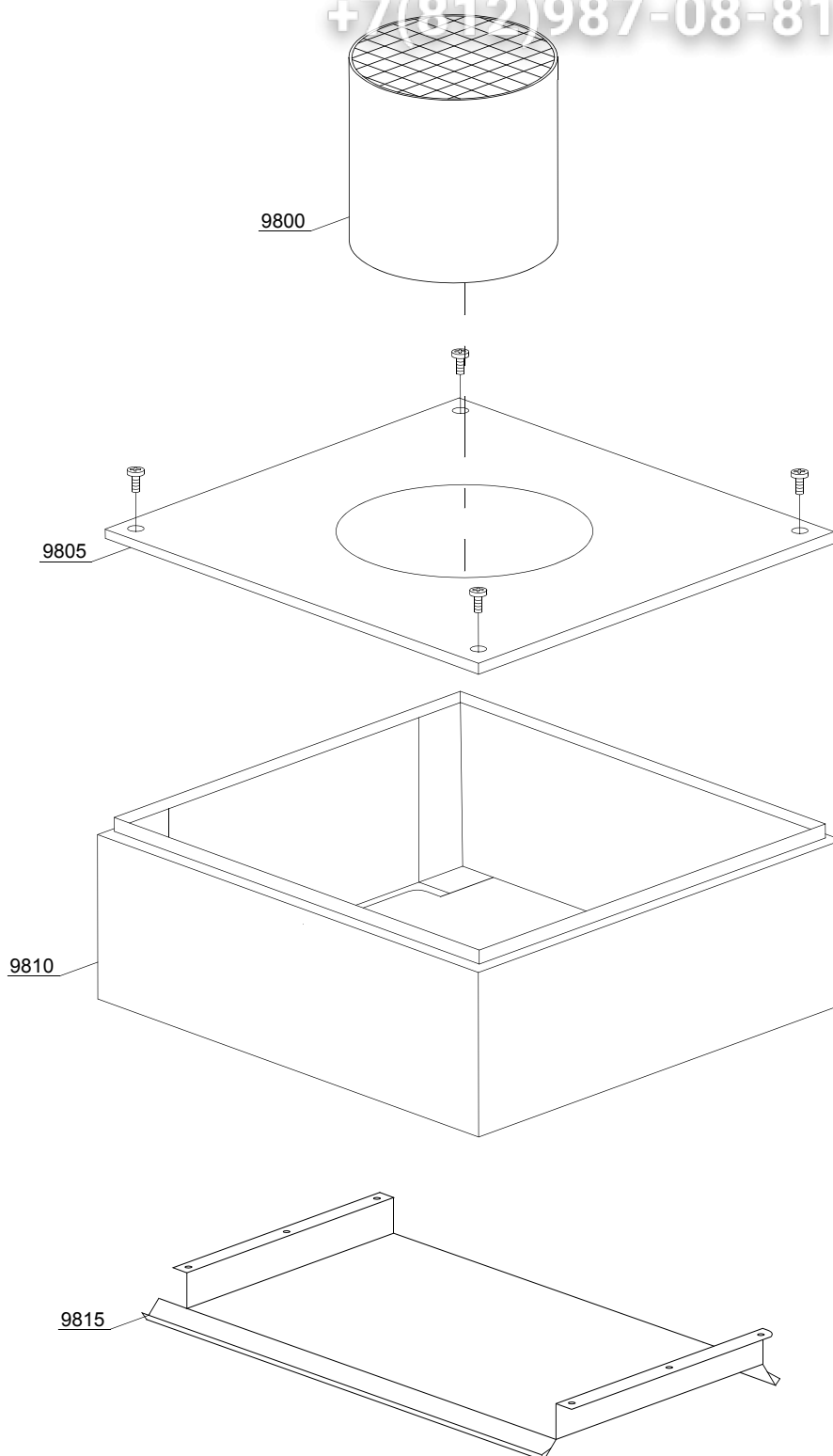
em=ELECTROMECHANICAL SWITCHES, e=ELECTRONICAL SWITCHES, uw=LOWER AND UPPER WASHER
24=24

hr=HEAT RECOVERY - TR98, hp=HEAT PUMP - TR99, sc9=STEAM CONDENSER - LC 91, csa=CONVEYOR SPEED
ADJUSTING - LC 101, 972=90°MOTORIZED CHAIN CONVEYOR - LC 97/2, 973=180°MOTORIZED CHAIN CON-
VEYOR - LC 97/3, 974=DRYER WITH 90° MOTORIZED CHAIN CONVEYOR - LC 97/4, 975=DRYER WITH 180° MO-
TORIZED CHAIN CONVEYOR - LC 97/5, d9=DRYER - LC 90, d92=DRYER - LC 90/2, d929=DRYER - LC 90/900,
cw=ADDITIONAL BOILER FOR COLD WATER SUPPLY, dvgw=DVGW VALVE SYSTEM, des=DETERGENT ECON-
OMIZER SYSTEM, szc9=SPLASH ZONE WITH CILINDER - LC 94, ti=TANK INSULATION, ds=DOUBLE SKIN,
bp=BOOSTER PUMP, sdn3=DISPENSER SYSTEM SDN-3, 98=ANGLE LOADING TABLE - LC 98

A=3/N/PE~380-400V 50-60Hz, D=3/PE~200-210V 50-60Hz, F=2/PE~220-240V 50-60Hz, G=3/N/PE~415V 50-60Hz,
H=3/PE~220-230V 50-60Hz, K=3/PE~380-400V 50-60Hz, L=3/PE~415V 50-60Hz, M=3/PE~440V 60Hz, P=1/N/PE~220-
230V 50-60Hz, R=2/PE~220-240V 50-60Hz, U=1/N/PE~240V 50-60Hz, V=3/PE~240V 50-60Hz, W=1/N/PE~100-110V
50-60Hz

vsezip.ru

+7(812)987-08-81



18_001_e

vsezip.ru

| ID | P-code | SN from | SN to | Mod. | Acces | Volt | Description |
|--|---------|---------|-------|---------|-------|------|-----------------|
| Module: Steam condenser TR91 - part 1 | | | | | | | |
| 9800 | 3009499 | | - | em,e,uw | | | Chimney |
| 9805 | 3009306 | | - | em,e,uw | | | Cover with hole |
| 9810 | 3009502 | | - | em,e,uw | | | Complete body |
| 9815 | 3009090 | | - | em,e,uw | | | Suction group |

em=ELECTROMECHANICAL SWITCHES, e=ELECTRONICAL SWITCHES, uw=LOWER AND UPPER WASHER
24=24

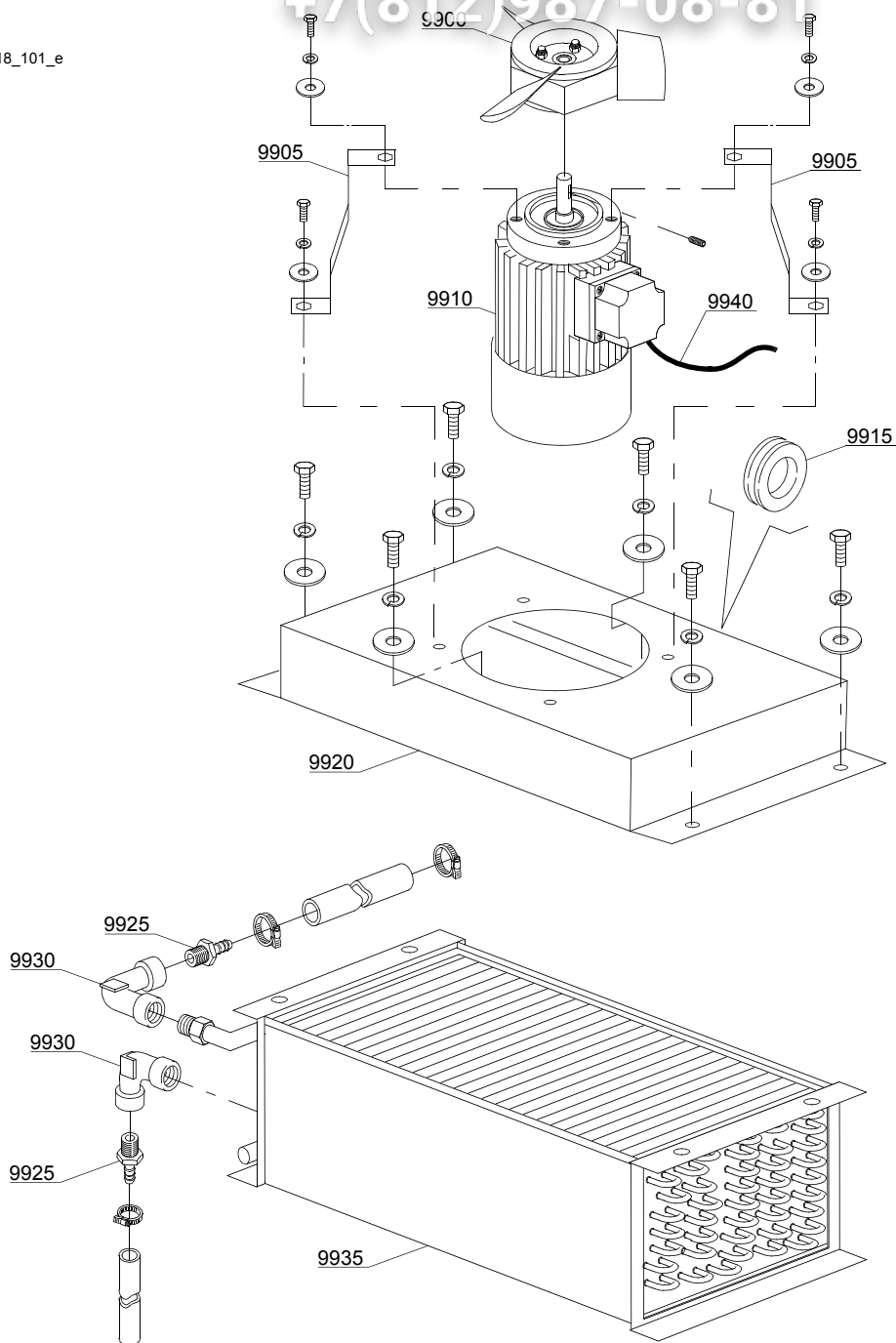
hr=HEAT RECOVERY - TR98, hp=HEAT PUMP - TR99, sc9=STEAM CONDENSER - LC 91, csa=CONVEYOR SPEED ADJUSTING - LC 101, 972=90°MOTORIZED CHAIN CONVEYOR - LC 97/2, 973=180°MOTORIZED CHAIN CONVEYOR - LC 97/3, 974=DRYER WITH 90° MOTORIZED CHAIN CONVEYOR - LC 97/4, 975=DRYER WITH 180° MOTORIZED CHAIN CONVEYOR - LC 97/5, d9=DRYER - LC 90, d92=DRYER - LC 90/2, d929=DRYER - LC 90/900, cw=ADDITIONAL BOILER FOR COLD WATER SUPPLY, dvgw=DVGW VALVE SYSTEM, des=DETERGENT ECONOMIZER SYSTEM, szc9=SPLASH ZONE WITH CILINDER - LC 94, ti=TANK INSULATION, ds=DOUBLE SKIN, bp=BOOSTER PUMP, sdn3=DISPENSER SYSTEM SDN-3, 98=ANGLE LOADING TABLE - LC 98

A=3/N/PE~380-400V 50-60Hz, D=3/PE~200-210V 50-60Hz, F=2/PE~220-240V 50-60Hz, G=3/N/PE~415V 50-60Hz, H=3/PE~220-230V 50-60Hz, K=3/PE~380-400V 50-60Hz, L=3/PE~415V 50-60Hz, M=3/PE~440V 60Hz, P=1/N/PE~220-230V 50-60Hz, R=2/PE~220-240V 50-60Hz, U=1/N/PE~240V 50-60Hz, V=3/PE~240V 50-60Hz, W=1/N/PE~100-110V 50-60Hz

vsezip.ru

+7(812)987-08-81

18_101_e



| ID | P-code | SN from | SN to | Mod. | Acces | Volt | Description |
|--|---------|---------|-------|---------|-------|------|---------------------------------|
| Module: Steam condenser TR91 - part 2 | | | | | | | |
| 9900 | 3000125 | | - | em,e,uw | | | Impeller fan |
| 9905 | 3009106 | | - | em,e,uw | | | Motor holder |
| 9910 | 3000120 | | - | em,e,uw | | A | Motor - 0,18KW 4P 230/400V 50HZ |
| 9915 | 13329 | | - | em,e,uw | | | Fairlead |
| 9920 | 3009079 | | - | em,e,uw | | | Steam condenser base |
| 9925 | 12023 | | - | em,e,uw | | | Hose holder |
| 9930 | 3002139 | | - | em,e,uw | | | Elbow |
| 9935 | 3000155 | | - | em,e,uw | | | Heating recovery battery |
| 9940 | 15184 | | - | em,e,uw | | | Cable |

em=ELECTROMECHANICAL SWITCHES, e=ELECTRONICAL SWITCHES, uw=LOWER AND UPPER WASHER
24=24

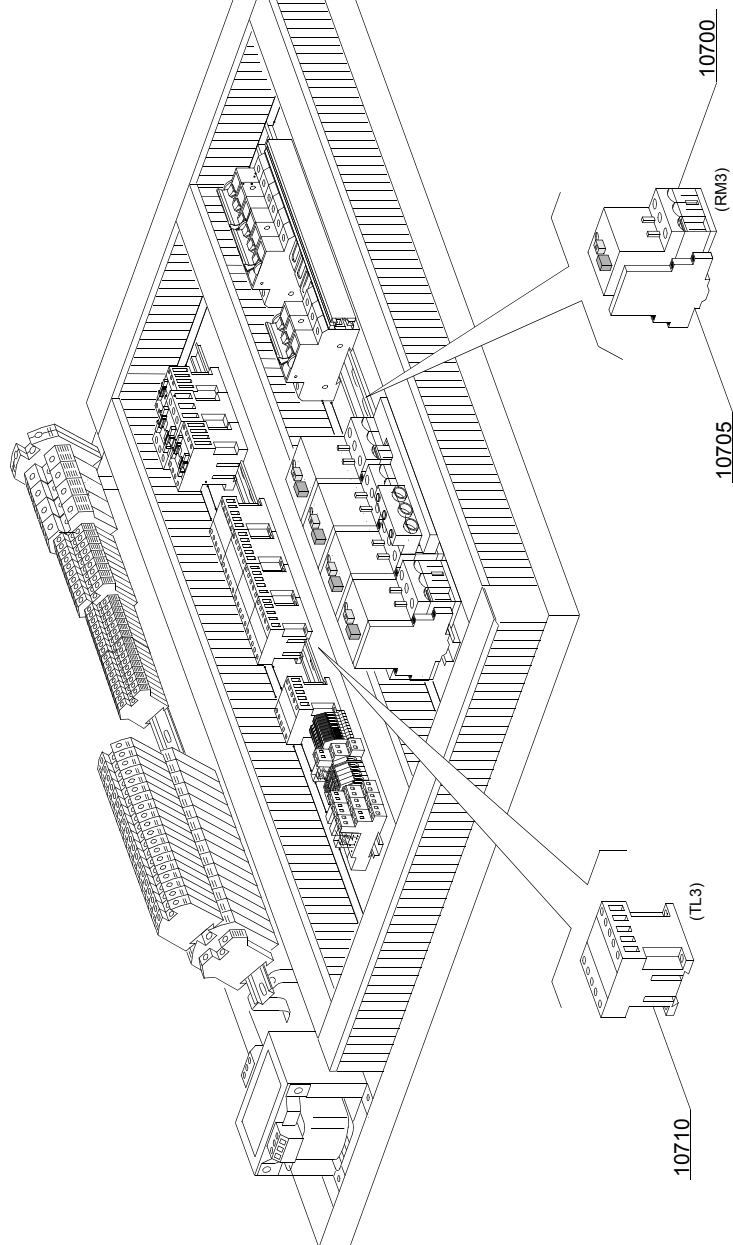
hr=HEAT RECOVERY - TR98, hp=HEAT PUMP - TR99, sc9=STEAM CONDENSER - LC 91, csa=CONVEYOR SPEED
ADJUSTING - LC 101, 972=90°MOTORIZED CHAIN CONVEYOR - LC 97/2, 973=180°MOTORIZED CHAIN CON-
VEYOR - LC 97/3, 974=DRYER WITH 90° MOTORIZED CHAIN CONVEYOR - LC 97/4, 975=DRYER WITH 180° MO-
TORIZED CHAIN CONVEYOR - LC 97/5, d9=DRYER - LC 90, d92=DRYER - LC 90/2, d929=DRYER - LC 90/900,
cw=ADDITIONAL BOILER FOR COLD WATER SUPPLY, dvgw=DVGW VALVE SYSTEM, des=DETERGENT ECON-
OMIZER SYSTEM, szc9=SPLASH ZONE WITH CILINDER - LC 94, ti=TANK INSULATION, ds=DOUBLE SKIN,
bp=BOOSTER PUMP, sdn3=DISPENSER SYSTEM SDN-3, 98=ANGLE LOADING TABLE - LC 98

A=3/N/PE~380-400V 50-60Hz, D=3/PE~200-210V 50-60Hz, F=2/PE~220-240V 50-60Hz, G=3/N/PE~415V 50-60Hz,
H=3/PE~220-230V 50-60Hz, K=3/PE~380-400V 50-60Hz, L=3/PE~415V 50-60Hz, M=3/PE~440V 60Hz, P=1/N/PE~220-
230V 50-60Hz, R=2/PE~220-240V 50-60Hz, U=1/N/PE~240V 50-60Hz, V=3/PE~240V 50-60Hz, W=1/N/PE~100-110V
50-60Hz

vsezip.ru

+7(812)987-08-81

18_203_e



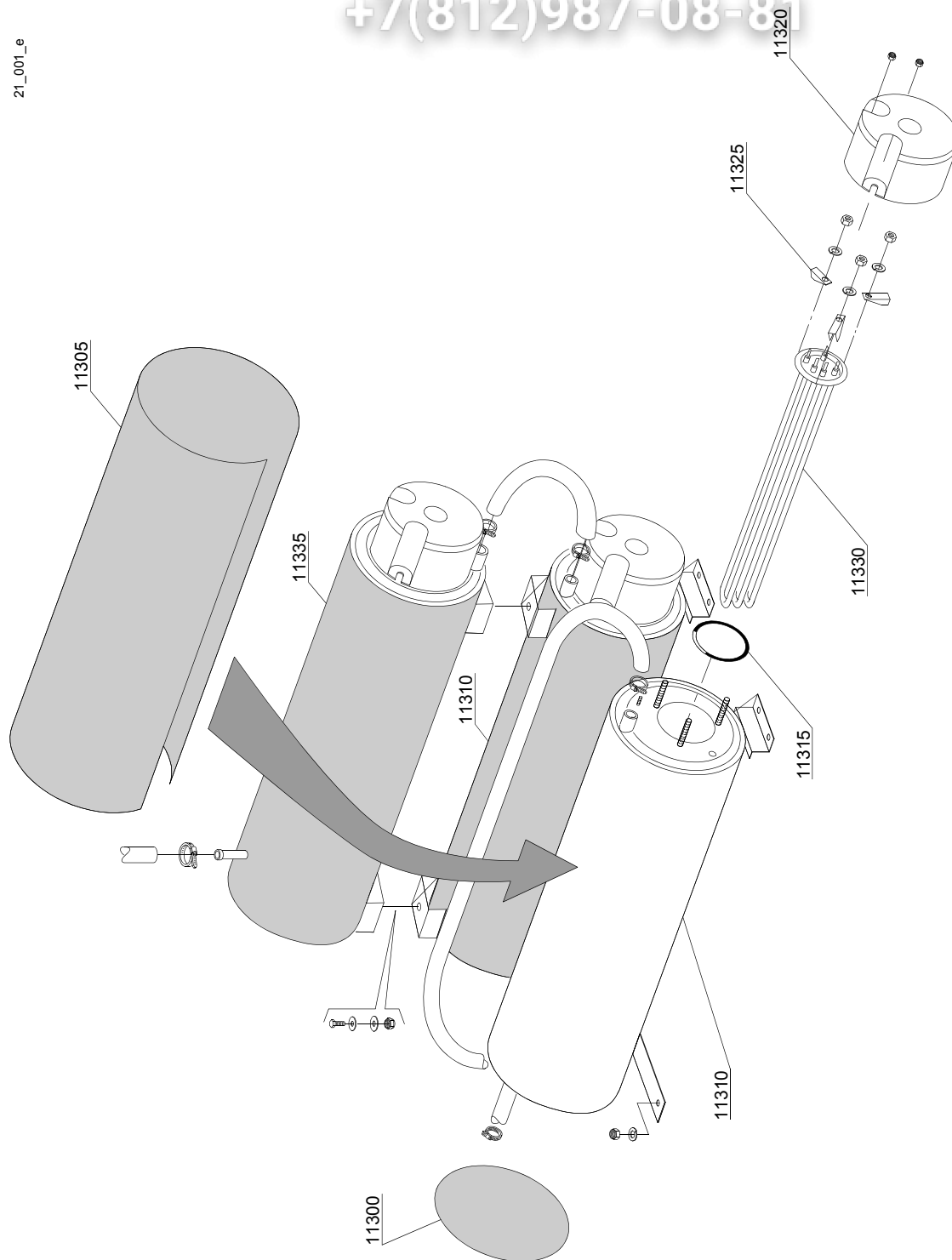
| ID | P-code | SN from | SN to | Mod. | Acces | Volt | Description |
|---|---------|---------|-------|---------|-------|------|-------------------------|
| Module: Steam condenser LC-91 / TR-91 part 3 | | | | | | | |
| 10700 | 2000390 | | - | em,e,uw | | A | Motorprotector 1 - 1.6A |
| 10705 | 3006080 | | - | em,e,uw | | A | Auxiliary contact LMS25 |
| 10710 | 2000370 | | - | em,e,uw | | A | Contactora MC9 |

em=ELECTROMECHANICAL SWITCHES, e=ELECTRONICAL SWITCHES, uw=LOWER AND UPPER WASHER
24=24

hr=HEAT RECOVERY - TR98, hp=HEAT PUMP - TR99, sc9=STEAM CONDENSER - LC 91, csa=CONVEYOR SPEED ADJUSTING - LC 101, 972=90°MOTORIZED CHAIN CONVEYOR - LC 97/2, 973=180°MOTORIZED CHAIN CONVEYOR - LC 97/3, 974=DRYER WITH 90° MOTORIZED CHAIN CONVEYOR - LC 97/4, 975=DRYER WITH 180° MOTORIZED CHAIN CONVEYOR - LC 97/5, d9=DRYER - LC 90, d92=DRYER - LC 90/2, d929=DRYER - LC 90/900, cw=ADDITIONAL BOILER FOR COLD WATER SUPPLY, dvgw=DVGW VALVE SYSTEM, des=DETERGENT ECONOMIZER SYSTEM, szc9=SPLASH ZONE WITH CILINDER - LC 94, ti=TANK INSULATION, ds=DOUBLE SKIN, bp=BOOSTER PUMP, sdn3=DISPENSER SYSTEM SDN-3, 98=ANGLE LOADING TABLE - LC 98

A=3/N/PE~380-400V 50-60Hz, D=3/PE~200-210V 50-60Hz, F=2/PE~220-240V 50-60Hz, G=3/N/PE~415V 50-60Hz, H=3/PE~220-230V 50-60Hz, K=3/PE~380-400V 50-60Hz, L=3/PE~415V 50-60Hz, M=3/PE~440V 60Hz, P=1/N/PE~220-230V 50-60Hz, R=2/PE~220-240V 50-60Hz, U=1/N/PE~240V 50-60Hz, V=3/PE~240V 50-60Hz, W=1/N/PE~100-110V 50-60Hz

21_001_e



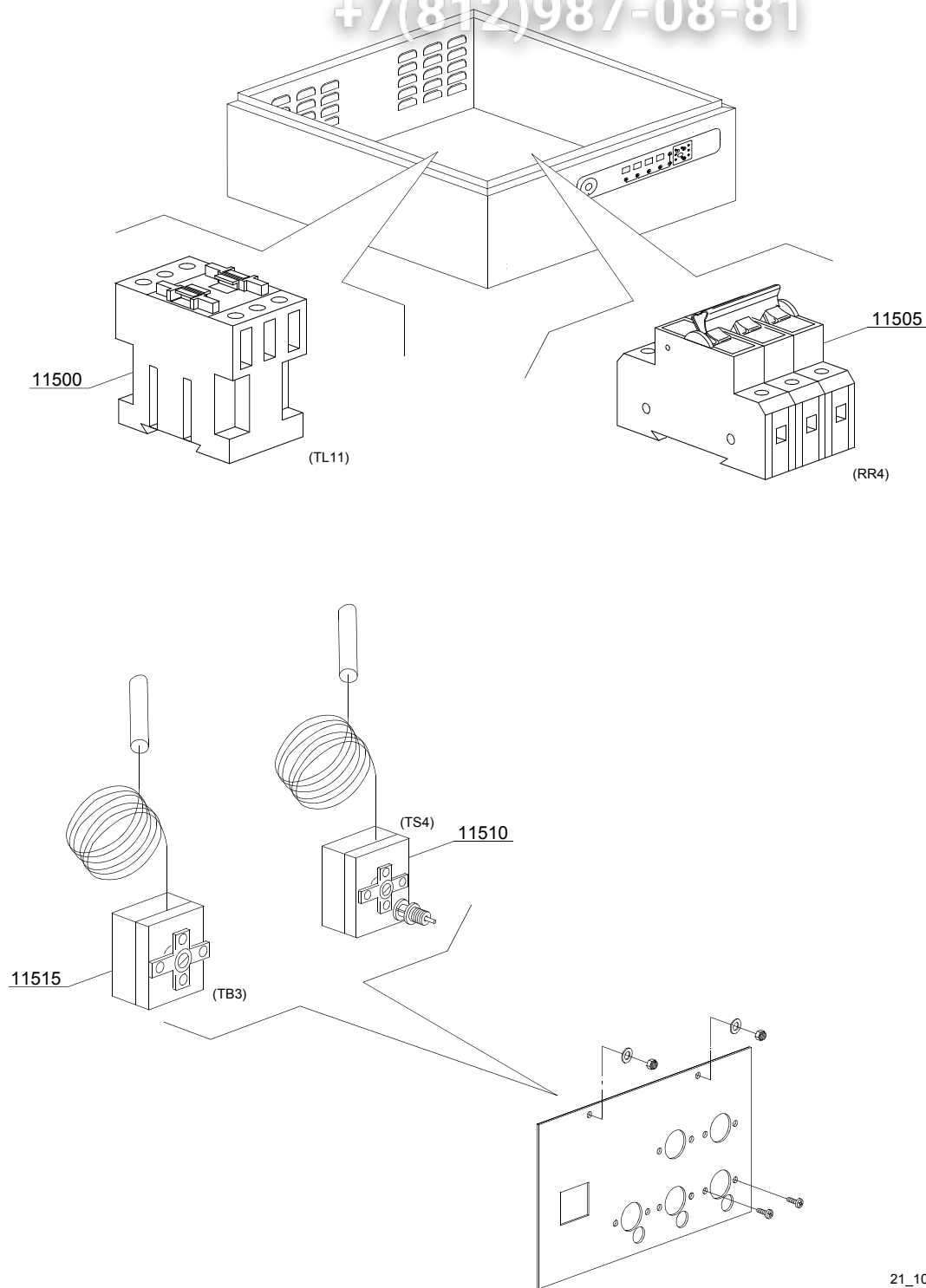
| ID | P-code | SN from | SN to | Mod. | Acces | Volt | Description |
|---|------------|---------|-------|---------|-------|------|------------------------------|
| Module: Additional boiler components | | | | | | | |
| 11300 | 75205 | | - | em,e,uw | | | Bottom boiler insulating |
| 11305 | 30002030 | | - | em,e,uw | | | Boiler insulating |
| 11310 | 3007012 | | - | em,e,uw | | | Inferiour Boiler |
| 11315 | 13015 | | - | em,e,uw | | | O-ring 160 (6225) |
| 11320 | 75311 | | - | em,e,uw | | | Heating element cover |
| 11325 | 16045 | | - | em,e,uw | | | Heating element support Ø6,3 |
| 11330 | 30001010 | | - | em,e,uw | | A | Heating element 6kW |
| 11330 | 30001011 | | - | em,e,uw | | A | Heating element 9kW |
| 11330 | 30001011/A | | - | em,e,uw | | A | Heating element 12kW |
| 11330 | 30001011/B | | - | em,e,uw | | A | Heating element 14kW |
| 11335 | 3007013 | | - | em,e,uw | | | Upper Boiler |

em=ELECTROMECHANICAL SWITCHES, e=ELECTRONICAL SWITCHES, uw=LOWER AND UPPER WASHER
24=24

hr=HEAT RECOVERY - TR98, hp=HEAT PUMP - TR99, sc9=STEAM CONDENSER - LC 91, csa=CONVEYOR SPEED ADJUSTING - LC 101, 972=90°MOTORIZED CHAIN CONVEYOR - LC 97/2, 973=180°MOTORIZED CHAIN CONVEYOR - LC 97/3, 974=DRYER WITH 90° MOTORIZED CHAIN CONVEYOR - LC 97/4, 975=DRYER WITH 180° MOTORIZED CHAIN CONVEYOR - LC 97/5, d9=DRYER - LC 90, d92=DRYER - LC 90/2, d929=DRYER - LC 90/900, cw=ADDITIONAL BOILER FOR COLD WATER SUPPLY, dvgw=DVGW VALVE SYSTEM, des=DETERGENT ECONOMIZER SYSTEM, szc9=SPLASH ZONE WITH CILINDER - LC 94, ti=TANK INSULATION, ds=DOUBLE SKIN, bp=BOOSTER PUMP, sdn3=DISPENSER SYSTEM SDN-3, 98=ANGLE LOADING TABLE - LC 98
A=3/N/PE~380-400V 50-60Hz, D=3/PE~200-210V 50-60Hz, F=2/PE~220-240V 50-60Hz, G=3/N/PE~415V 50-60Hz, H=3/PE~220-230V 50-60Hz, K=3/PE~380-400V 50-60Hz, L=3/PE~415V 50-60Hz, M=3/PE~440V 60Hz, P=1/N/PE~220-230V 50-60Hz, R=2/PE~220-240V 50-60Hz, U=1/N/PE~240V 50-60Hz, V=3/PE~240V 50-60Hz, W=1/N/PE~100-110V 50-60Hz

vsezip.ru

+7(812)987-08-81



21_101_€

| ID | P-code | SN from | SN to | Mod. | Acces. | Volt | Description |
|---|---------|---------|-------|---------|--------|------|---|
| Module: Additional boiler: electrical components | | | | | | | |
| 11500 | 2000380 | | - | em,e,uw | | A | Contactora BF12 (heating element < 9 kW) |
| 11500 | 2000385 | | - | em,e,uw | | A | Contactora BF20 (heating element > 9 kW) |
| 11505 | 2000403 | | - | em,e,uw | | A | Automatic fuse C20 (heating element < 9 kW) |
| 11505 | 2000404 | | - | em,e,uw | | A | Automatic fuse C25 (heating element > 9 kW) |
| 11510 | 2000430 | | - | em,e,uw | | | Safety thermostat |
| 11515 | 10707/1 | | - | em,e,uw | | | Thermostat 0 - 90° (TB2) |

em=ELECTROMECHANICAL SWITCHES, e=ELECTRONICAL SWITCHES, uw=LOWER AND UPPER WASHER
24=24

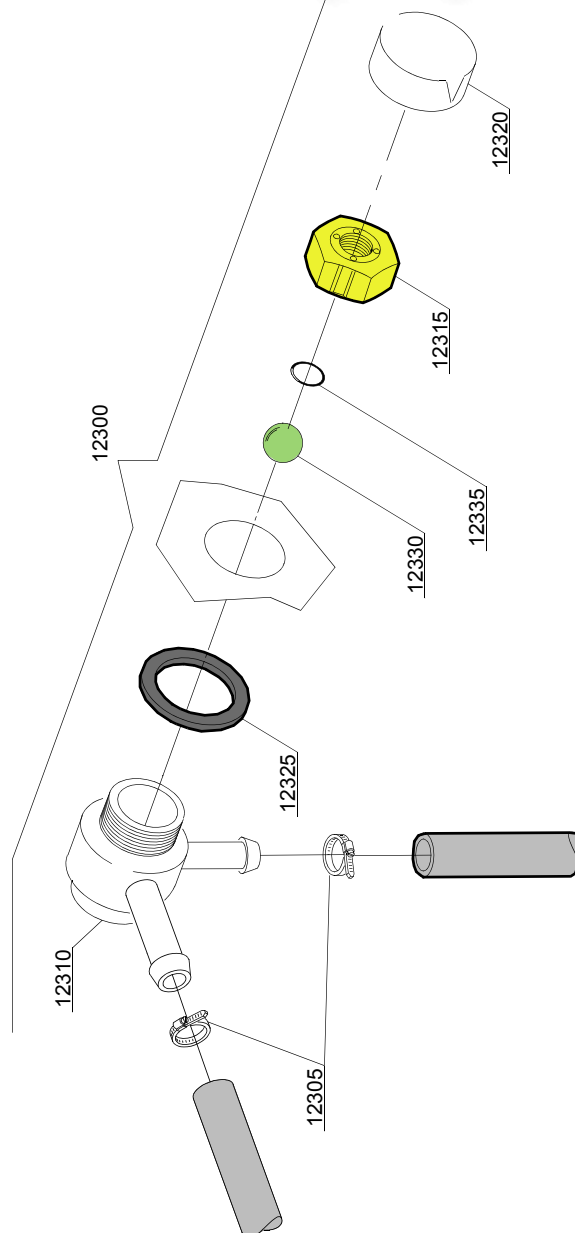
hr=HEAT RECOVERY - TR98, hp=HEAT PUMP - TR99, sc9=STEAM CONDENSER - LC 91, csa=CONVEYOR SPEED ADJUSTING - LC 101, 972=90°MOTORIZED CHAIN CONVEYOR - LC 97/2, 973=180°MOTORIZED CHAIN CONVEYOR - LC 97/3, 974=DRYER WITH 90° MOTORIZED CHAIN CONVEYOR - LC 97/4, 975=DRYER WITH 180° MOTORIZED CHAIN CONVEYOR - LC 97/5, d9=DRYER - LC 90, d92=DRYER - LC 90/2, d929=DRYER - LC 90/900, cw=ADDITIONAL BOILER FOR COLD WATER SUPPLY, dvgw=DVGW VALVE SYSTEM, des=DETERGENT ECONOMIZER SYSTEM, szc9=SPLASH ZONE WITH CILINDER - LC 94, ti=TANK INSULATION, ds=DOUBLE SKIN, bp=BOOSTER PUMP, sdn3=DISPENSER SYSTEM SDN-3, 98=ANGLE LOADING TABLE - LC 98

A=3/N/PE~380-400V 50-60Hz, D=3/PE~200-210V 50-60Hz, F=2/PE~220-240V 50-60Hz, G=3/N/PE~415V 50-60Hz, H=3/PE~220-230V 50-60Hz, K=3/PE~380-400V 50-60Hz, L=3/PE~415V 50-60Hz, M=3/PE~440V 60Hz, P=1/N/PE~220-230V 50-60Hz, R=2/PE~220-240V 50-60Hz, U=1/N/PE~240V 50-60Hz, V=3/PE~240V 50-60Hz, W=1/N/PE~100-110V 50-60Hz

vsezip.ru

+7(812)987-08-81

22_002ae



vsezip.ru

| ID | P-code | SN from | SN to | Mod | Acces | Volt | Description |
|--------------------------|---------|---------|-------|---------|-------|------|-----------------------|
| Module:DVGW valve | | | | | | | |
| 12300 | 9891710 | | - | em,e,uw | | | DVGW valvola assembly |
| 12305 | 11807 | | - | em,e,uw | | | Clamp aisi430 12/22 |
| 12310 | 15280 | | - | em,e,uw | | | Valve body center |
| 12315 | 15281 | | - | em,e,uw | | | Flat valve |
| 12320 | 15282 | | - | em,e,uw | | | Flat valve cover |
| 12325 | 15283 | | - | em,e,uw | | | Valve gasket |
| 12330 | 15284 | | - | em,e,uw | | | Sphere |
| 12335 | 15285 | | - | em,e,uw | | | O-ring 115 KTW |

em=ELECTROMECHANICAL SWITCHES, e=ELECTRONICAL SWITCHES, uw=LOWER AND UPPER WASHER
24=24

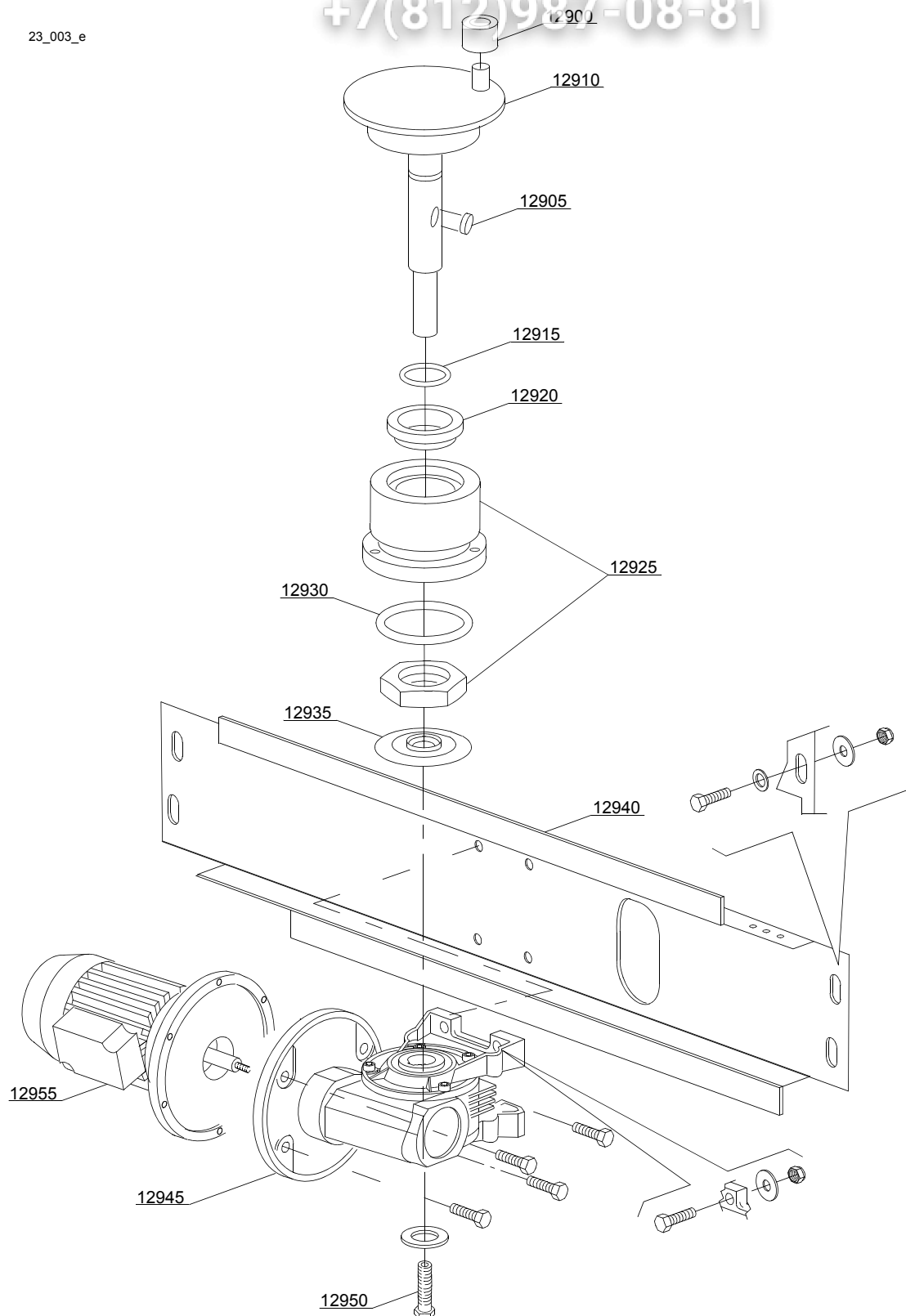
hr=HEAT RECOVERY - TR98, hp=HEAT PUMP - TR99, sc9=STEAM CONDENSER - LC 91, csa=CONVEYOR SPEED ADJUSTING - LC 101, 972=90°MOTORIZED CHAIN CONVEYOR - LC 97/2, 973=180°MOTORIZED CHAIN CONVEYOR - LC 97/3, 974=DRYER WITH 90° MOTORIZED CHAIN CONVEYOR - LC 97/4, 975=DRYER WITH 180° MOTORIZED CHAIN CONVEYOR - LC 97/5, d9=DRYER - LC 90, d92=DRYER - LC 90/2, d929=DRYER - LC 90/900, cw=ADDITIONAL BOILER FOR COLD WATER SUPPLY, dvgw=DVGW VALVE SYSTEM, des=DETERGENT ECONOMIZER SYSTEM, szc9=SPLASH ZONE WITH CILINDER - LC 94, ti=TANK INSULATION, ds=DOUBLE SKIN, bp=BOOSTER PUMP, sdn3=DISPENSER SYSTEM SDN-3, 98=ANGLE LOADING TABLE - LC 98

A=3/N/PE~380-400V 50-60Hz, D=3/PE~200-210V 50-60Hz, F=2/PE~220-240V 50-60Hz, G=3/N/PE~415V 50-60Hz, H=3/PE~220-230V 50-60Hz, K=3/PE~380-400V 50-60Hz, L=3/PE~415V 50-60Hz, M=3/PE~440V 60Hz, P=1/N/PE~220-230V 50-60Hz, R=2/PE~220-240V 50-60Hz, U=1/N/PE~240V 50-60Hz, V=3/PE~240V 50-60Hz, W=1/N/PE~100-110V 50-60Hz

vsezip.ru

+7(812)987-08-81

23_003_e

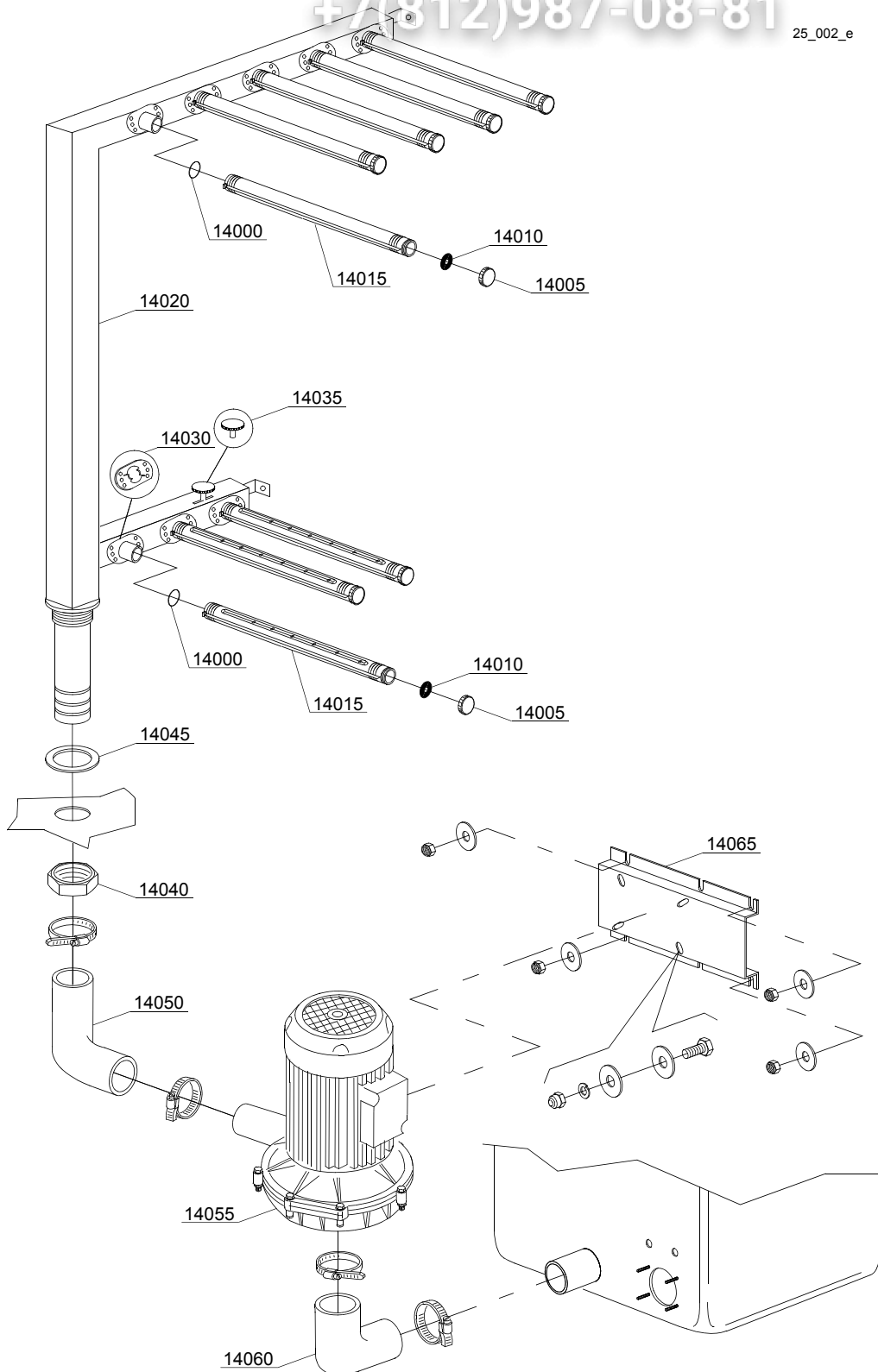


| ID | P-code | SN from | SN to | Mod. | Acces. | Volt | Description |
|---|---------|---------|-------|---------|--------|------|--|
| Module:Motorgear components module 900 | | | | | | | |
| 12900 | 3003012 | | - | em,e,uw | | | Conveyor roller |
| 12905 | 2001046 | | - | em,e,uw | | | Key |
| 12910 | 3003116 | | - | em,e,uw | | | Crank shaft |
| 12915 | 13023 | | - | em,e,uw | | | O-ring 131 (4093) |
| 12920 | 13024 | | - | em,e,uw | | | Oil splash guard DEM 40 TC 30x42x7 with spring |
| 12925 | 3004131 | | - | em,e,uw | | | Coupling part serie |
| 12930 | 13015 | | - | em,e,uw | | | O-ring 160 (6225) |
| 12935 | 3004161 | | - | em,e,uw | | | Protection disk |
| 12940 | 3009149 | | - | em,e,uw | | | Motorgear support |
| 12945 | 3000212 | | - | em,e,uw | | | Gear right 1:60 (60Hz) |
| 12945 | 3000214 | | - | em,e,uw | | | Gear right 1:45 |
| 12945 | 3000215 | | - | em,e,uw | | | Gear left 1:45 (60Hz) |
| 12950 | 11165 | | - | em,e,uw | | | Screw |
| 12955 | 3000110 | | - | em,e,uw | | A | Conveyor motor - 6/8P 400/415V 50Hz |
| 12955 | 3000109 | | - | em,e,uw | | | Conveyor motor - 6/8P 230V 50Hz |

em=ELECTROMECHANICAL SWITCHES, e=ELECTRONICAL SWITCHES, uw=LOWER AND UPPER WASHER
24=24

hr=HEAT RECOVERY - TR98, hp=HEAT PUMP - TR99, sc9=STEAM CONDENSER - LC 91, csa=CONVEYOR SPEED
ADJUSTING - LC 101, 972=90°MOTORIZED CHAIN CONVEYOR - LC 97/2, 973=180°MOTORIZED CHAIN CON-
VEYOR - LC 97/3, 974=DRYER WITH 90° MOTORIZED CHAIN CONVEYOR - LC 97/4, 975=DRYER WITH 180° MO-
TORIZED CHAIN CONVEYOR - LC 97/5, d9=DRYER - LC 90, d92=DRYER - LC 90/2, d929=DRYER - LC 90/900,
cw=ADDITIONAL BOILER FOR COLD WATER SUPPLY, dvgw=DVGW VALVE SYSTEM, des=DETERGENT ECON-
OMIZER SYSTEM, szc9=SPLASH ZONE WITH CILINDER - LC 94, ti=TANK INSULATION, ds=DOUBLE SKIN,
bp=BOOSTER PUMP, sdn3=DISPENSER SYSTEM SDN-3, 98=ANGLE LOADING TABLE - LC 98

A=3/N/PE~380-400V 50-60Hz, D=3/PE~200-210V 50-60Hz, F=2/PE~220-240V 50-60Hz, G=3/N/PE~415V 50-60Hz,
H=3/PE~220-230V 50-60Hz, K=3/PE~380-400V 50-60Hz, L=3/PE~415V 50-60Hz, M=3/PE~440V 60Hz, P=1/N/PE~220-
230V 50-60Hz, R=2/PE~220-240V 50-60Hz, U=1/N/PE~240V 50-60Hz, V=3/PE~240V 50-60Hz, W=1/N/PE~100-110V
50-60Hz

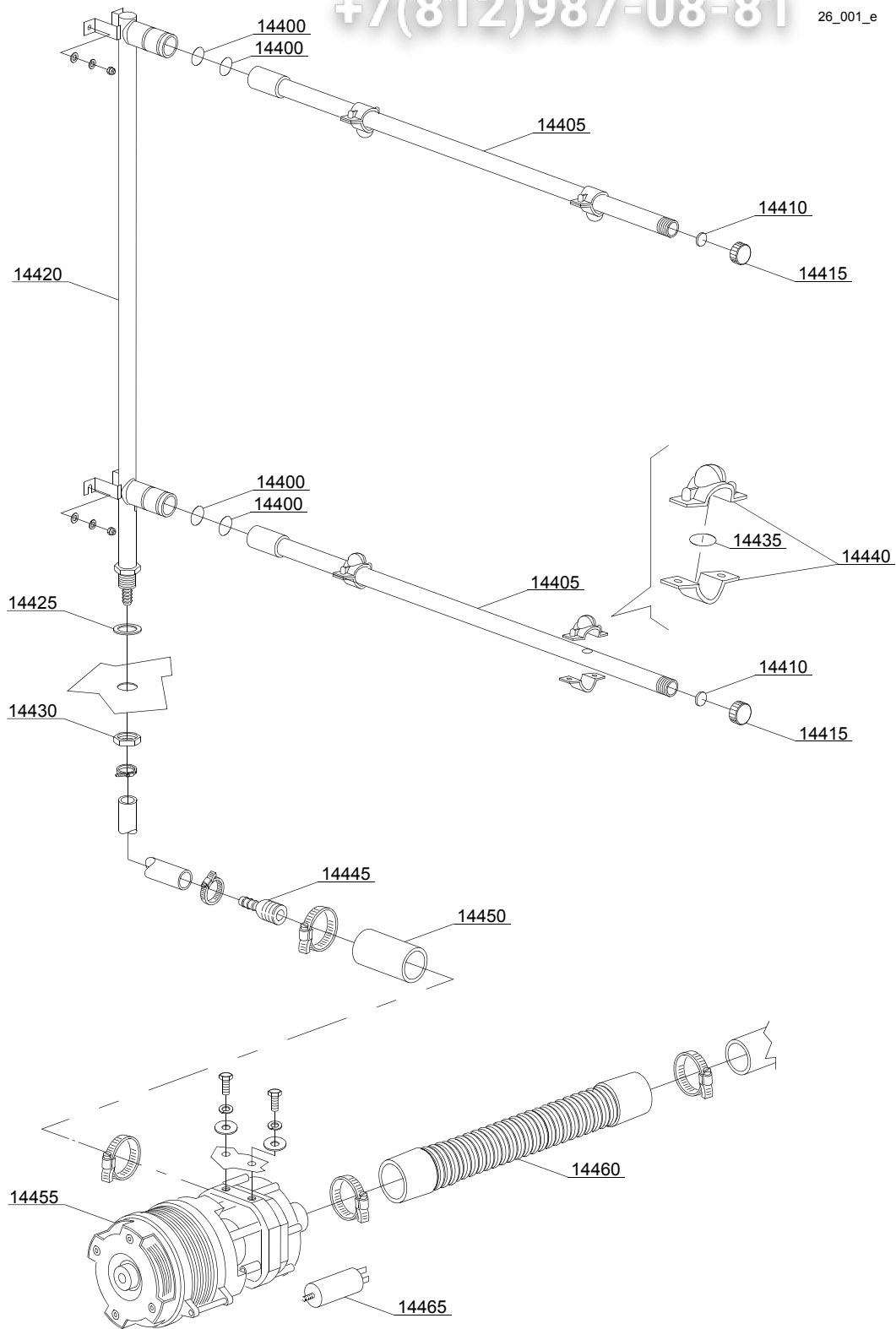


| ID | P-code | SN from | SN to | Mod. | Acces | Volt | Description |
|---------------------------------------|------------|---------|-------|---------|-------|------|--------------------------------|
| Module: Washing components 5+3 | | | | | | | |
| 14000 | 13028 | | - | em,e,uw | | | O-ring 3,6x30,8x38 R-23 |
| 14005 | 80304 | | - | em,e,uw | | | Arm plug |
| 14010 | 80305 | | - | em,e,uw | | | Gasket |
| 14015 | 3004147 | | - | em,e,uw | | | Wash arm |
| 14020 | 3004142 | | - | em,e,uw | | | Right wash ramp |
| 14020 | 3004143 | | - | em,e,uw | | | Left wash ramp |
| 14030 | 3004148 | | - | em,e,uw | | | Arm connection flange |
| 14035 | 3004146 | | - | em,e,uw | | | Water flow adjuster |
| 14040 | 10600012 | | - | em,e,uw | | | Flat nut |
| 14045 | 10200173/A | | - | em,e,uw | | | Gasket 75x58x3 |
| 14050 | 3004025 | | - | em,e,uw | | | Elbow coupling press. |
| 14055 | 88106 | | - | em,e,uw | | A | Pump 2 kW |
| 14055 | 88106/B | | - | em,e,uw | | H | Pump 2 kW - 220/380-415 V 60Hz |
| 14055 | 88106/E | | - | em,e,uw | | | Pump 2 kW - 240/415 V 50Hz |
| 14060 | 3002020 | | - | em,e,uw | | | Suction elbow coupling |
| 14065 | 3009113 | | - | em,e,uw | | | Pump support |

em=ELECTROMECHANICAL SWITCHES, e=ELECTRONICAL SWITCHES, uw=LOWER AND UPPER WASHER
24=24

hr=HEAT RECOVERY - TR98, hp=HEAT PUMP - TR99, sc9=STEAM CONDENSER - LC 91, csa=CONVEYOR SPEED ADJUSTING - LC 101, 972=90°MOTORIZED CHAIN CONVEYOR - LC 97/2, 973=180°MOTORIZED CHAIN CONVEYOR - LC 97/3, 974=DRYER WITH 90° MOTORIZED CHAIN CONVEYOR - LC 97/4, 975=DRYER WITH 180° MOTORIZED CHAIN CONVEYOR - LC 97/5, d9=DRYER - LC 90, d92=DRYER - LC 90/2, d929=DRYER - LC 90/900, cw=ADDITIONAL BOILER FOR COLD WATER SUPPLY, dvgw=DVGW VALVE SYSTEM, des=DETERGENT ECONOMIZER SYSTEM, szc9=SPLASH ZONE WITH CILINDER - LC 94, ti=TANK INSULATION, ds=DOUBLE SKIN, bp=BOOSTER PUMP, sdn3=DISPENSER SYSTEM SDN-3, 98=ANGLE LOADING TABLE - LC 98

A=3/N/PE~380-400V 50-60Hz, D=3/PE~200-210V 50-60Hz, F=2/PE~220-240V 50-60Hz, G=3/N/PE~415V 50-60Hz, H=3/PE~220-230V 50-60Hz, K=3/PE~380-400V 50-60Hz, L=3/PE~415V 50-60Hz, M=3/PE~440V 60Hz, P=1/N/PE~220-230V 50-60Hz, R=2/PE~220-240V 50-60Hz, U=1/N/PE~240V 50-60Hz, V=3/PE~240V 50-60Hz, W=1/N/PE~100-110V 50-60Hz

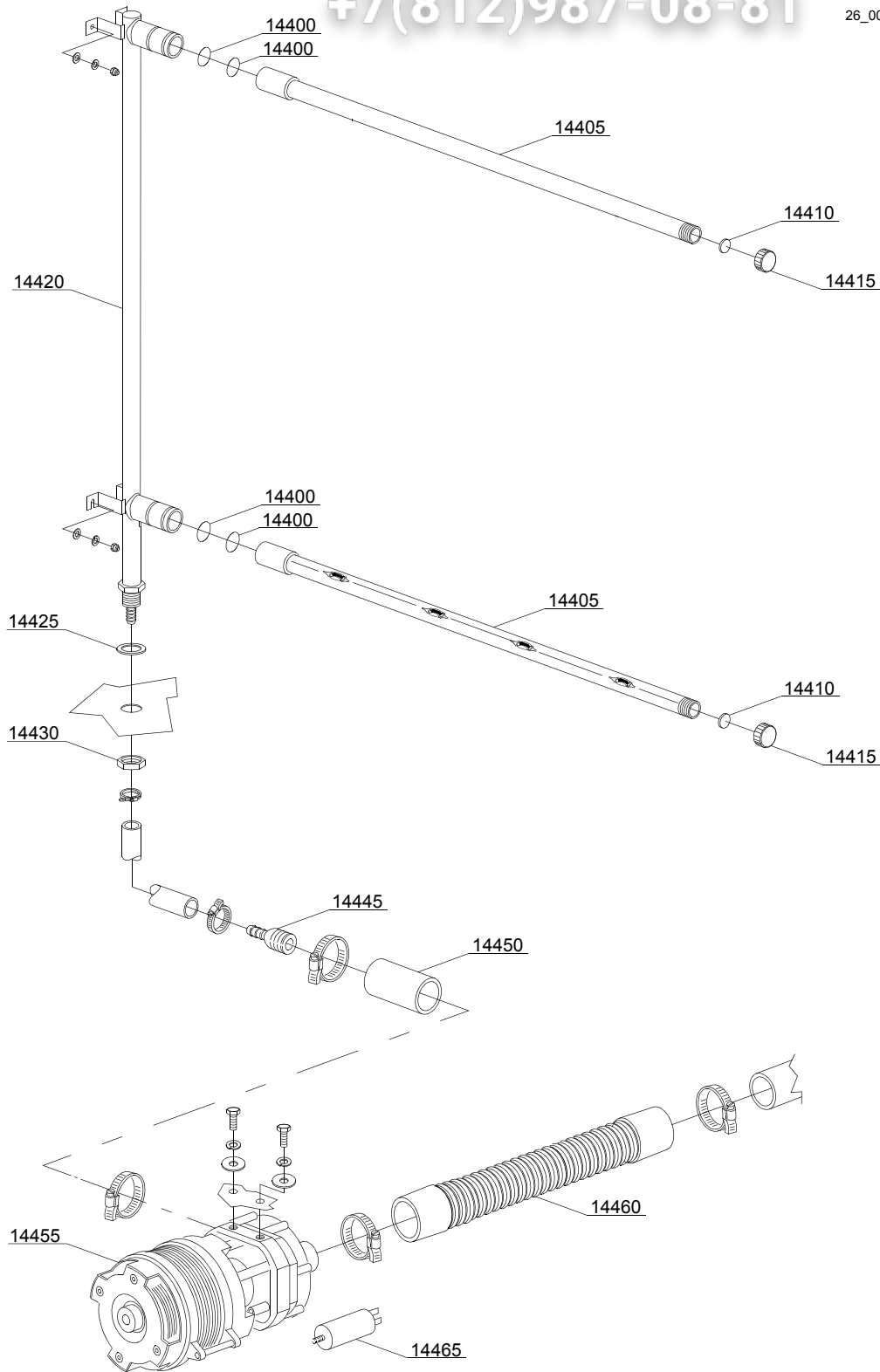


| ID | P-code | SN from | SN to | Mod | Acces. | Volt | Description |
|-------------------------------------|---------|---------|-------|---------|--------|------|-------------------------|
| Module:Prerinsing components | | | | | | | |
| 14400 | 13025 | | - | em,e,uw | | | O-ring 2081 |
| 14405 | 3003903 | | - | em,e,uw | | | Prewashing arm 2 nozzle |
| 14410 | 2002051 | | - | em,e,uw | | | Gasket EPDM 17.5x1.5 |
| 14415 | 2002054 | | - | em,e,uw | | | Plug for arm |
| 14420 | 3003953 | | - | em,e,uw | | | Prerinsing ramp |
| 14425 | 13326 | | - | em,e,uw | | | Gasket 38x27x2 |
| 14430 | 2200103 | | - | em,e,uw | | | Nut |
| 14435 | 13009 | | - | em,e,uw | | | O-ring 2050 |
| 14440 | 10746/A | | - | em,e,uw | | | Nozzle pr |
| 14445 | 3003122 | | - | em,e,uw | | | Hose connection |
| 14450 | 10718 | | - | em,e,uw | | | Pump elbow |
| 14455 | 10501/C | | - | em,e,uw | | A | Prerinsing pump 100W |
| 14460 | 18767/A | | - | em,e,uw | | | Coupling |
| 14465 | 10702 | | - | em,e,uw | | | 5 uF condenser |

em=ELECTROMECHANICAL SWITCHES, e=ELECTRONICAL SWITCHES, uw=LOWER AND UPPER WASHER
24=24

hr=HEAT RECOVERY - TR98, hp=HEAT PUMP - TR99, sc9=STEAM CONDENSER - LC 91, csa=CONVEYOR SPEED ADJUSTING - LC 101, 972=90°MOTORIZED CHAIN CONVEYOR - LC 97/2, 973=180°MOTORIZED CHAIN CONVEYOR - LC 97/3, 974=DRYER WITH 90° MOTORIZED CHAIN CONVEYOR - LC 97/4, 975=DRYER WITH 180° MOTORIZED CHAIN CONVEYOR - LC 97/5, d9=DRYER - LC 90, d92=DRYER - LC 90/2, d929=DRYER - LC 90/900, cw=ADDITIONAL BOILER FOR COLD WATER SUPPLY, dvgw=DVGW VALVE SYSTEM, des=DETERGENT ECONOMIZER SYSTEM, szc9=SPLASH ZONE WITH CILINDER - LC 94, ti=TANK INSULATION, ds=DOUBLE SKIN, bp=BOOSTER PUMP, sdn3=DISPENSER SYSTEM SDN-3, 98=ANGLE LOADING TABLE - LC 98

A=3/N/PE~380-400V 50-60Hz, D=3/PE~200-210V 50-60Hz, F=2/PE~220-240V 50-60Hz, G=3/N/PE~415V 50-60Hz, H=3/PE~220-230V 50-60Hz, K=3/PE~380-400V 50-60Hz, L=3/PE~415V 50-60Hz, M=3/PE~440V 60Hz, P=1/N/PE~220-230V 50-60Hz, R=2/PE~220-240V 50-60Hz, U=1/N/PE~240V 50-60Hz, V=3/PE~240V 50-60Hz, W=1/N/PE~100-110V 50-60Hz



vsezip.ru

| ID | P-code | SN from | SN to | Mod | Acces. | Volt | Description |
|-------------------------------------|---------|---------|-------|---------|--------|------|-------------------------|
| Module:Prerinsing components | | | | | | | |
| 14400 | 13025 | | - | em,e,uw | | | O-ring 2081 |
| 14405 | 3020102 | | - | em,e,uw | | | Prewashing arm 4 nozzle |
| 14410 | 2002051 | | - | em,e,uw | | | Gasket EPDM 17.5x1.5 |
| 14415 | 2002054 | | - | em,e,uw | | | Plug for arm |
| 14420 | 3003953 | | - | em,e,uw | | | Prerinsing ramp |
| 14425 | 13326 | | - | em,e,uw | | | Gasket 38x27x2 |
| 14430 | 2200103 | | - | em,e,uw | | | Nut |
| 14445 | 3003063 | | - | em,e,uw | | | Hose connection |
| 14450 | 10718 | | - | em,e,uw | | | Pump elbow |
| 14455 | 10501/C | | - | em,e,uw | | A | Prerinsing pump 100W |
| 14460 | 18767/A | | - | em,e,uw | | | Coupling |
| 14465 | 10702 | | - | em,e,uw | | | 5 uF condenser |

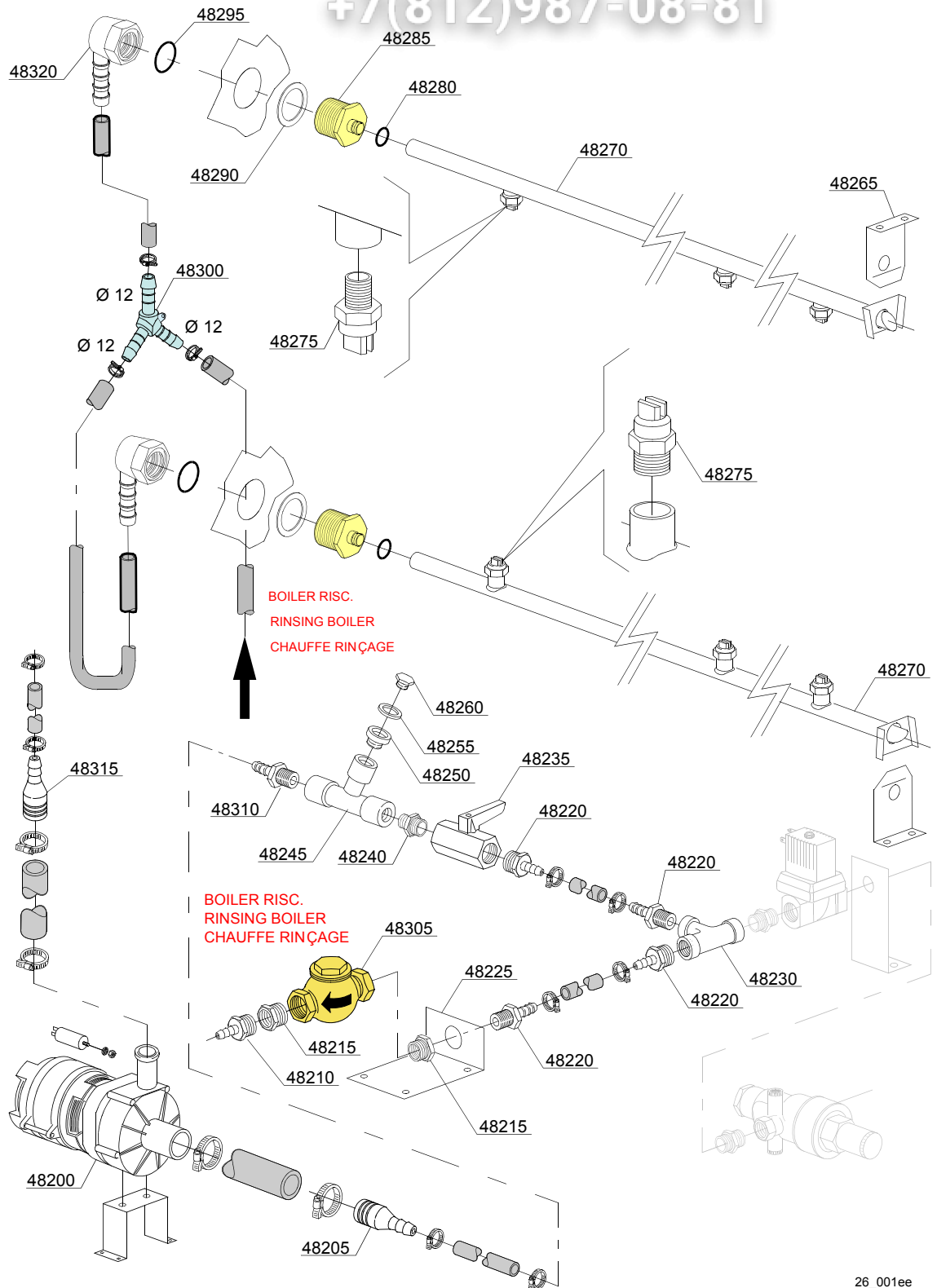
em=ELECTROMECHANICAL SWITCHES, e=ELECTRONICAL SWITCHES, uw=LOWER AND UPPER WASHER
24=24

hr=HEAT RECOVERY - TR98, hp=HEAT PUMP - TR99, sc9=STEAM CONDENSER - LC 91, csa=CONVEYOR SPEED
ADJUSTING - LC 101, 972=90°MOTORIZED CHAIN CONVEYOR - LC 97/2, 973=180°MOTORIZED CHAIN CON-
VEYOR - LC 97/3, 974=DRYER WITH 90° MOTORIZED CHAIN CONVEYOR - LC 97/4, 975=DRYER WITH 180° MO-
TORIZED CHAIN CONVEYOR - LC 97/5, d9=DRYER - LC 90, d92=DRYER - LC 90/2, d929=DRYER - LC 90/900,
cw=ADDITIONAL BOILER FOR COLD WATER SUPPLY, dvgw=DVGW VALVE SYSTEM, des=DETERGENT ECON-
OMIZER SYSTEM, szc9=SPLASH ZONE WITH CILINDER - LC 94, ti=TANK INSULATION, ds=DOUBLE SKIN,
bp=BOOSTER PUMP, sdn3=DISPENSER SYSTEM SDN-3, 98=ANGLE LOADING TABLE - LC 98

A=3/N/PE~380-400V 50-60Hz, D=3/PE~200-210V 50-60Hz, F=2/PE~220-240V 50-60Hz, G=3/N/PE~415V 50-60Hz,
H=3/PE~220-230V 50-60Hz, K=3/PE~380-400V 50-60Hz, L=3/PE~415V 50-60Hz, M=3/PE~440V 60Hz, P=1/N/PE~220-
230V 50-60Hz, R=2/PE~220-240V 50-60Hz, U=1/N/PE~240V 50-60Hz, V=3/PE~240V 50-60Hz, W=1/N/PE~100-110V
50-60Hz

vsezip.ru

+7(812)987-08-81



| ID | P-code | SN from | SN to | Mod. | Acces | Volt | Description |
|---|---------|---------|-------|---------|-------|------|--------------------------------------|
| Module: Third rinsing components | | | | | | | |
| 48200 | 10501/C | | - | em,e,uw | | | Pump 0,10 HP |
| 48205 | 3003063 | | - | em,e,uw | | | Reducer |
| 48210 | 12023 | | - | em,e,uw | | | 1/2"Hose holder Ø 12/20 |
| 48215 | 12024 | | - | em,e,uw | | | 3/4"M - 1/2"F Reduction nipples |
| 48220 | 12023 | | - | em,e,uw | | | 1/2"Hose holder Ø 12/20 |
| 48225 | 3009439 | | - | em,e,uw | | | Valve support |
| 48230 | 12028 | | - | em,e,uw | | | "T" pipe 1/2" F-F-F |
| 48235 | 3002140 | | - | em,e,uw | | | Tap 1/2" F-F |
| 48240 | 12033 | | - | em,e,uw | | | Pipe 1/4" M - 1/2" |
| 48245 | 12008 | | - | em,e,uw | | A | Pipe 1/4" F-F-F |
| 48250 | 12032 | | - | em,e,uw | | | Reduction 1/8"F - 1/4"M |
| 48255 | 13309 | | - | em,e,uw | | | Ø 10x14x1,5 Gasket |
| 48260 | 12002 | | - | em,e,uw | | | Plug 1/8"M |
| 48265 | 3003905 | | - | em,e,uw | | | Support rinsing arm |
| 48270 | 3003124 | | - | em,e,uw | | | Rinsing arm 3 nozzle |
| 48275 | 2200119 | | - | em,e,uw | | | Inox rinsing nozzle (1/8C2-01/110°) |
| 48280 | 13025 | | - | em,e,uw | | | O-ring Gasket 2081 |
| 48285 | 3003125 | | - | em,e,uw | | | Rinsing graft arm |
| 48290 | 3009387 | | - | em,e,uw | | | 12/10 Metal plain washer |
| 48295 | 3003130 | | - | em,e,uw | | | OR gasket 123 NBR |
| 48300 | 540091 | | - | em,e,uw | | | "Y" Axis rinsing |
| 48305 | 3002115 | | - | em,e,uw | | | Unidirectional valve 3/4" |
| 48310 | 12005 | | - | em,e,uw | | | 1/4"G Hose holder (OT - NI) Ø 12 |
| 48315 | 3003063 | | - | em,e,uw | | | Reducer |
| 48320 | 3003129 | | - | em,e,uw | | | 3/8"G Rubber holder elbow |

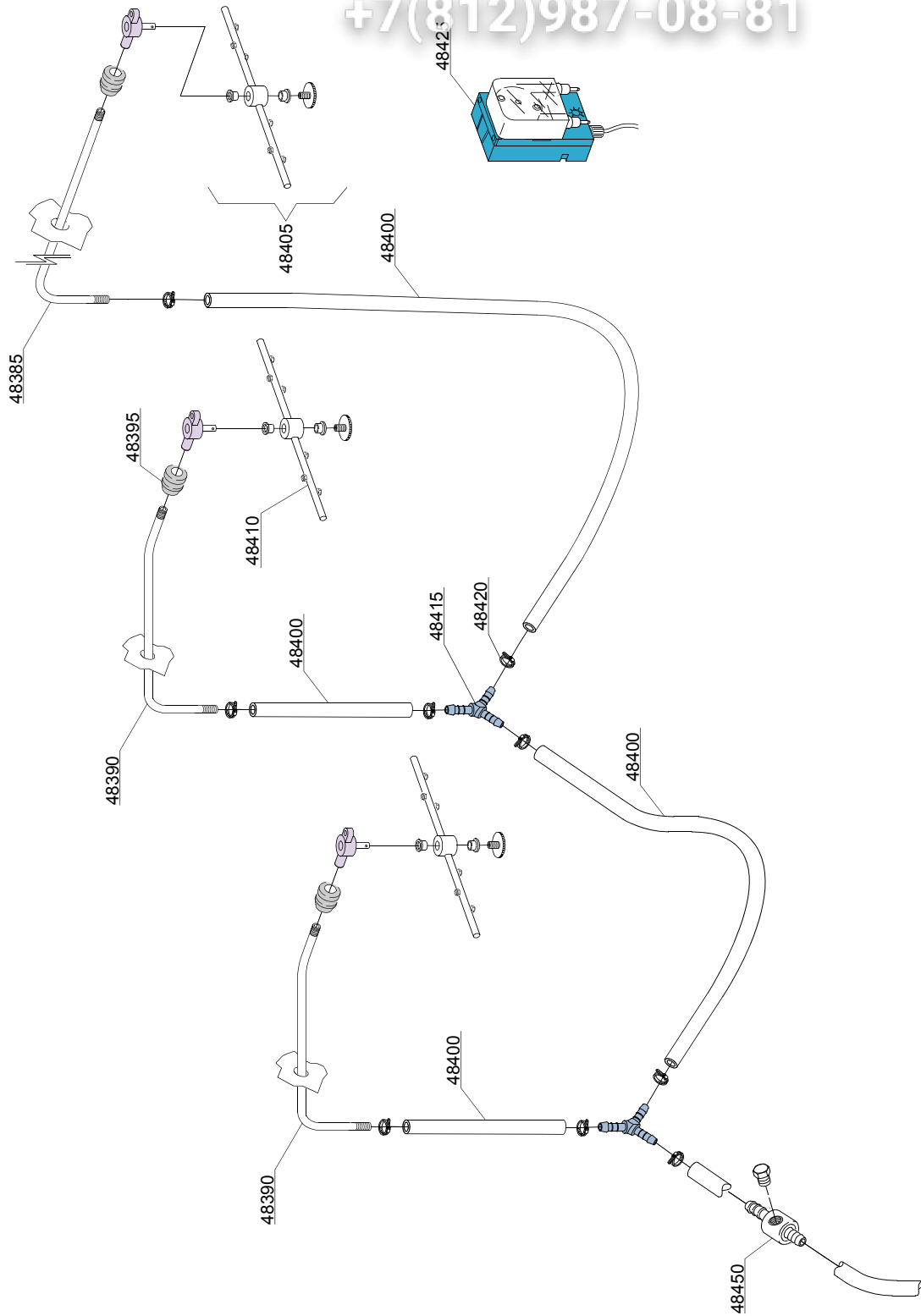
em=ELECTROMECHANICAL SWITCHES, e=ELECTRONICAL SWITCHES, uw=LOWER AND UPPER WASHER
24=24

hr=HEAT RECOVERY - TR98, hp=HEAT PUMP - TR99, sc9=STEAM CONDENSER - LC 91, csa=CONVEYOR SPEED
ADJUSTING - LC 101, 972=90°MOTORIZED CHAIN CONVEYOR - LC 97/2, 973=180°MOTORIZED CHAIN CON-
VEYOR - LC 97/3, 974=DRYER WITH 90° MOTORIZED CHAIN CONVEYOR - LC 97/4, 975=DRYER WITH 180° MO-
TORIZED CHAIN CONVEYOR - LC 97/5, d9=DRYER - LC 90, d92=DRYER - LC 90/2, d929=DRYER - LC 90/900,
cw=ADDITIONAL BOILER FOR COLD WATER SUPPLY, dvgw=DVGW VALVE SYSTEM, des=DETERGENT ECON-
OMIZER SYSTEM, szc9=SPLASH ZONE WITH CILINDER - LC 94, ti=TANK INSULATION, ds=DOUBLE SKIN,
bp=BOOSTER PUMP, sdn3=DISPENSER SYSTEM SDN-3, 98=ANGLE LOADING TABLE - LC 98

A=3/N/PE~380-400V 50-60Hz, D=3/PE~200-210V 50-60Hz, F=2/PE~220-240V 50-60Hz, G=3/N/PE~415V 50-60Hz,
H=3/PE~220-230V 50-60Hz, K=3/PE~380-400V 50-60Hz, L=3/PE~415V 50-60Hz, M=3/PE~440V 60Hz, P=1/N/PE~220-
230V 50-60Hz, R=2/PE~220-240V 50-60Hz, U=1/N/PE~240V 50-60Hz, V=3/PE~240V 50-60Hz, W=1/N/PE~100-110V
50-60Hz

vsezip.ru

+7(812)987-08-81



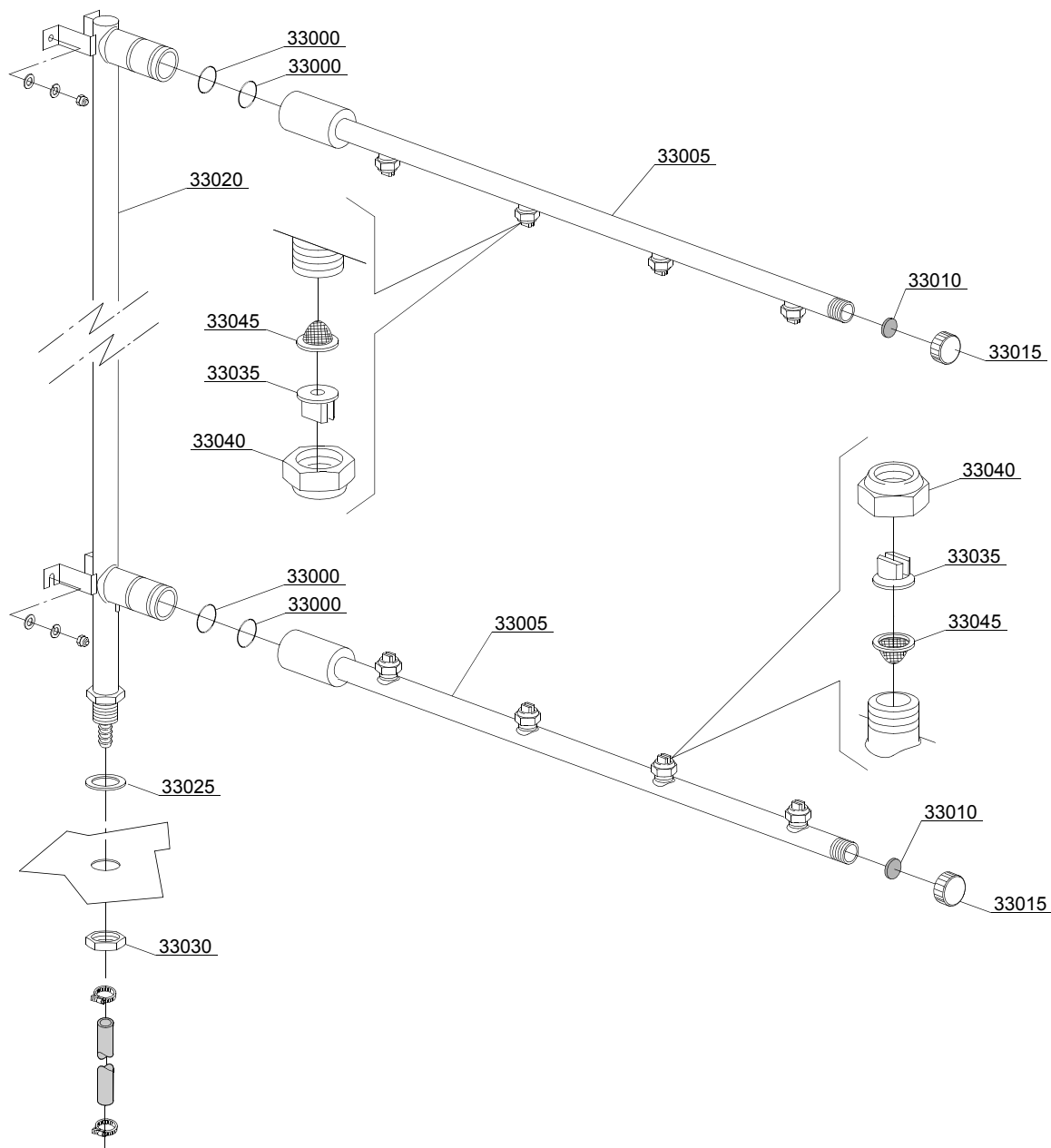
26_002xe

| ID | P-code | SN from | SN to | Mod. | Acces | Volt | Description |
|---|---------|---------|-------|---------|-------|------|--|
| Module: System components sanitization | | | | | | | |
| 48385 | 391065 | | - | em,e,uw | | | Rinse sanitization |
| 48390 | 392045 | | - | em,e,uw | | | Rinse sanitization DX |
| 48390 | 392046 | | - | em,e,uw | | | Rinse sanitization SX |
| 48395 | 13304 | | - | em,e,uw | | | Pipe pas O-ring |
| 48400 | 14506 | | - | em,e,uw | | | EPDM Ø10x17 rubber pipe |
| 48405 | 75918 | | - | em,e,uw | | | Rotor sanitization group |
| 48410 | 391066 | | - | em,e,uw | | | Sanitization rotor |
| 48415 | 540090 | | - | em,e,uw | | | Ø 10 Plastic 3 ways connection |
| 48420 | 11800 | | - | em,e,uw | | | 8/16 Clamp |
| 48425 | 391067 | | - | em,e,uw | | | Dosing sanitization system 220/50 3L/H |
| 48450 | 3003906 | | - | em,e,uw | | | Sanitization connection |

em=ELECTROMECHANICAL SWITCHES, e=ELECTRONICAL SWITCHES, uw=LOWER AND UPPER WASHER
24=24

hr=HEAT RECOVERY - TR98, hp=HEAT PUMP - TR99, sc9=STEAM CONDENSER - LC 91, csa=CONVEYOR SPEED ADJUSTING - LC 101, 972=90°MOTORIZED CHAIN CONVEYOR - LC 97/2, 973=180°MOTORIZED CHAIN CONVEYOR - LC 97/3, 974=DRYER WITH 90° MOTORIZED CHAIN CONVEYOR - LC 97/4, 975=DRYER WITH 180° MOTORIZED CHAIN CONVEYOR - LC 97/5, d9=DRYER - LC 90, d92=DRYER - LC 90/2, d929=DRYER - LC 90/900, cw=ADDITIONAL BOILER FOR COLD WATER SUPPLY, dvgw=DVGW VALVE SYSTEM, des=DETERGENT ECONOMIZER SYSTEM, szc9=SPLASH ZONE WITH CILINDER - LC 94, ti=TANK INSULATION, ds=DOUBLE SKIN, bp=BOOSTER PUMP, sdn3=DISPENSER SYSTEM SDN-3, 98=ANGLE LOADING TABLE - LC 98

A=3/N/PE~380-400V 50-60Hz, D=3/PE~200-210V 50-60Hz, F=2/PE~220-240V 50-60Hz, G=3/N/PE~415V 50-60Hz, H=3/PE~220-230V 50-60Hz, K=3/PE~380-400V 50-60Hz, L=3/PE~415V 50-60Hz, M=3/PE~440V 60Hz, P=1/N/PE~220-230V 50-60Hz, R=2/PE~220-240V 50-60Hz, U=1/N/PE~240V 50-60Hz, V=3/PE~240V 50-60Hz, W=1/N/PE~100-110V 50-60Hz

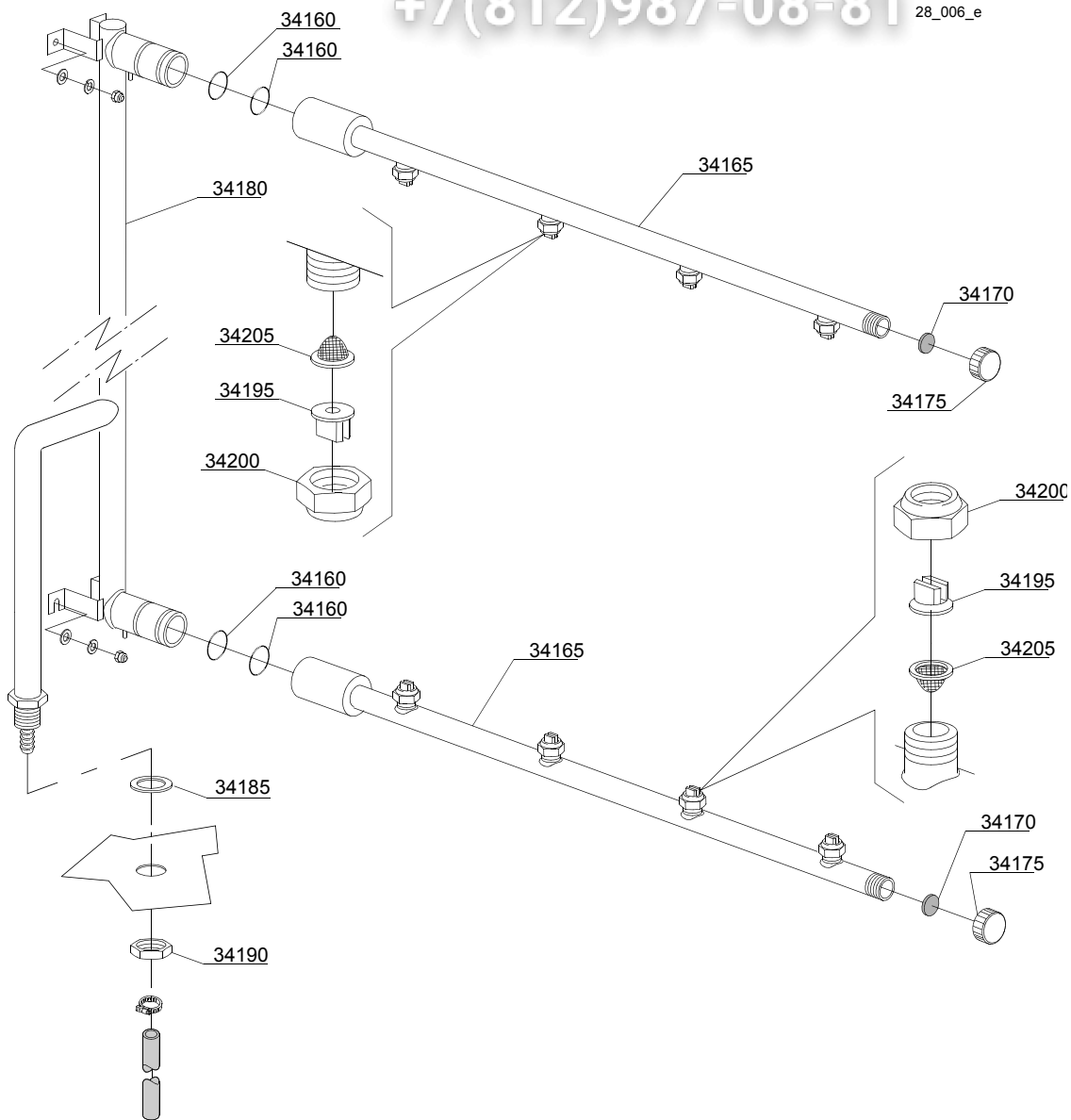


| ID | P-code | SN from | SN to | Mod. | Acces | Volt | Description |
|----------------------------------|---------|---------|-------|---------|-------|------|--|
| Module:Rinsing components | | | | | | | |
| 33000 | 13025 | | - | em,e,uw | | | O-ring 2081 |
| 33005 | 3003080 | | - | em,e,uw | | | Rinsing arm 4 nozzle |
| 33010 | 2002051 | | - | em,e,uw | | | Gasket EPDM 17.5x1.5 |
| 33015 | 2002054 | | - | em,e,uw | | | Plug for arm |
| 33020 | 3003954 | | - | em,e,uw | | | Rinsing ramp [mod 220,240,310,330,510] |
| 33025 | 13326 | | - | em,e,uw | | | Gasket 38x27x2 |
| 33030 | 2200103 | | - | em,e,uw | | | Nut |
| 33035 | 2200114 | | - | em,e,uw | | | Nozzle |
| 33040 | 2200116 | | - | em,e,uw | | | Nut |
| 33045 | 2200117 | | - | em,e,uw | | | Filter |

em=ELECTROMECHANICAL SWITCHES, e=ELECTRONICAL SWITCHES, uw=LOWER AND UPPER WASHER
24=24

hr=HEAT RECOVERY - TR98, hp=HEAT PUMP - TR99, sc9=STEAM CONDENSER - LC 91, csa=CONVEYOR SPEED
ADJUSTING - LC 101, 972=90°MOTORIZED CHAIN CONVEYOR - LC 97/2, 973=180°MOTORIZED CHAIN CON-
VEYOR - LC 97/3, 974=DRYER WITH 90° MOTORIZED CHAIN CONVEYOR - LC 97/4, 975=DRYER WITH 180° MO-
TORIZED CHAIN CONVEYOR - LC 97/5, d9=DRYER - LC 90, d92=DRYER - LC 90/2, d929=DRYER - LC 90/900,
cw=ADDITIONAL BOILER FOR COLD WATER SUPPLY, dvgw=DVGW VALVE SYSTEM, des=DETERGENT ECON-
OMIZER SYSTEM, szc9=SPLASH ZONE WITH CILINDER - LC 94, ti=TANK INSULATION, ds=DOUBLE SKIN,
bp=BOOSTER PUMP, sdn3=DISPENSER SYSTEM SDN-3, 98=ANGLE LOADING TABLE - LC 98

A=3/N/PE~380-400V 50-60Hz, D=3/PE~200-210V 50-60Hz, F=2/PE~220-240V 50-60Hz, G=3/N/PE~415V 50-60Hz,
H=3/PE~220-230V 50-60Hz, K=3/PE~380-400V 50-60Hz, L=3/PE~415V 50-60Hz, M=3/PE~440V 60Hz, P=1/N/PE~220-
230V 50-60Hz, R=2/PE~220-240V 50-60Hz, U=1/N/PE~240V 50-60Hz, V=3/PE~240V 50-60Hz, W=1/N/PE~100-110V
50-60Hz



vsezip.ru

| ID | P-code | SN from | SN to | Mod. | Acces. | Volt | Description |
|----------------------------------|-----------|---------|-------|-------|--------|------|------------------------|
| Module:Rinsing components | | | | | | | |
| 34160 | 13025 | | - | em,uw | | | O-ring 2081 |
| 34165 | 3003080 | | - | em,uw | | | Rinsing arm 4 nozzle |
| 34170 | 2002051 | | - | em,uw | | | Gasket EPDM 17.5x1.5 |
| 34175 | 2002054 | | - | em,uw | | | Plug for arm |
| 34180 | 3003962/A | | - | em,uw | | | Rinsing ramp |
| 34185 | 13326 | | - | em,uw | | | Gasket 38x27x2 |
| 34190 | 2200103 | | - | em,uw | | | 3/4 Esa.32x8 Nut |
| 34195 | 2200118 | | - | em,uw | | | Inox nozzle TC1-04/50° |
| 34200 | 2200116 | | - | em,uw | | | Nut |
| 34205 | 2200117 | | - | em,uw | | | Filter |

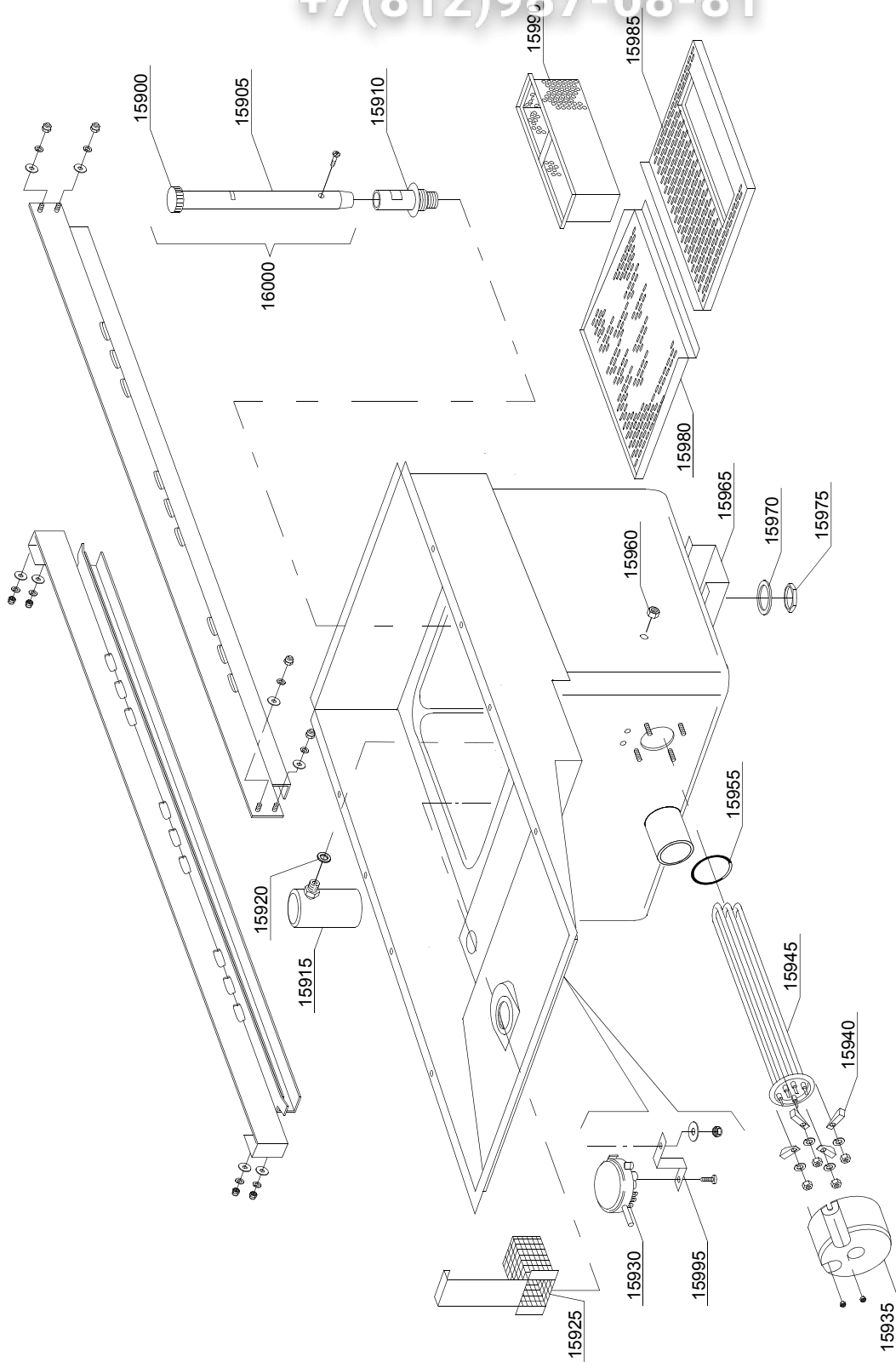
em=ELECTROMECHANICAL SWITCHES, e=ELECTRONICAL SWITCHES, uw=LOWER AND UPPER WASHER
24=24

hr=HEAT RECOVERY - TR98, hp=HEAT PUMP - TR99, sc9=STEAM CONDENSER - LC 91, csa=CONVEYOR SPEED
ADJUSTING - LC 101, 972=90°MOTORIZED CHAIN CONVEYOR - LC 97/2, 973=180°MOTORIZED CHAIN CON-
VEYOR - LC 97/3, 974=DRYER WITH 90° MOTORIZED CHAIN CONVEYOR - LC 97/4, 975=DRYER WITH 180° MO-
TORIZED CHAIN CONVEYOR - LC 97/5, d9=DRYER - LC 90, d92=DRYER - LC 90/2, d929=DRYER - LC 90/900,
cw=ADDITIONAL BOILER FOR COLD WATER SUPPLY, dvgw=DVGW VALVE SYSTEM, des=DETERGENT ECON-
OMIZER SYSTEM, szc9=SPLASH ZONE WITH CILINDER - LC 94, ti=TANK INSULATION, ds=DOUBLE SKIN,
bp=BOOSTER PUMP, sdn3=DISPENSER SYSTEM SDN-3, 98=ANGLE LOADING TABLE - LC 98

A=3/N/PE~380-400V 50-60Hz, D=3/PE~200-210V 50-60Hz, F=2/PE~220-240V 50-60Hz, G=3/N/PE~415V 50-60Hz,
H=3/PE~220-230V 50-60Hz, K=3/PE~380-400V 50-60Hz, L=3/PE~415V 50-60Hz, M=3/PE~440V 60Hz, P=1/N/PE~220-
230V 50-60Hz, R=2/PE~220-240V 50-60Hz, U=1/N/PE~240V 50-60Hz, V=3/PE~240V 50-60Hz, W=1/N/PE~100-110V
50-60Hz

vsezip.ru

+7(812)987-08-81



27_003_e

| ID | P-code | SN from | SN to | Mod. | Acces | Volt | Description |
|---|------------|---------|-------|---------|-------|------|------------------------------|
| Module: Internal components washing module 900 | | | | | | | |
| 15900 | 88105 | | - | em,e,uw | | | Overflow pipe plug |
| 15905 | 3004094 | | - | em,e,uw | | | Overflow pipe |
| 15905 | 2000477 | | - | em,e,uw | | | Overflow pipe |
| 15910 | 3004099 | | - | em,e,uw | | | Overflow device support |
| 15915 | 80106 | | - | em,e,uw | | | Air trap |
| 15920 | 13301 | | - | em,e,uw | | | Gasket ROLMART 14x8x1.5 |
| 15925 | 3019071 | | - | em,e,uw | | | Pump suction-filter |
| 15930 | 88110 | | - | em,e,uw | | | Pressure switch (260-30) |
| 15935 | 75311 | | - | em,e,uw | | | Heating element cover |
| 15940 | 16045 | | - | em,e,uw | | | Heating element support Ø6.3 |
| 15945 | 30001011 | | - | em,e,uw | | A | Heating element 9kW |
| 15945 | 30001011/A | | - | em,e,uw | | A | Heating element 12kW |
| 15945 | 30001011/B | | - | em,e,uw | | A | Heating element 14kW |
| 15955 | 13015 | | - | em,e,uw | | | O-ring 160 (6225) |
| 15960 | 11702 | | - | em,e,uw | | | Nut |
| 15965 | 3009299 | | - | em,e,uw | | | Tank support |
| 15970 | 10200173 | | - | em,e,uw | | | Gasket 75x58x3 |
| 15975 | 10600012 | | - | em,e,uw | | | Flat nut |
| 15980 | 3009567 | | - | em,e,uw | | | Strainer plate, back |
| 15985 | 3019074 | | - | em,e,uw | | | Strainer plate front |
| 15990 | 3019065 | | - | em,e,uw | | | Scrap tray |
| 15995 | 3009363 | | - | em,e,uw | | | Pressure switch support |
| 16000 | 3004101 | | - | em,e,uw | | | Overflow pipe assembly |
| 16000 | 3004115 | | - | em,e,uw | | | Overflow pipe assembly |

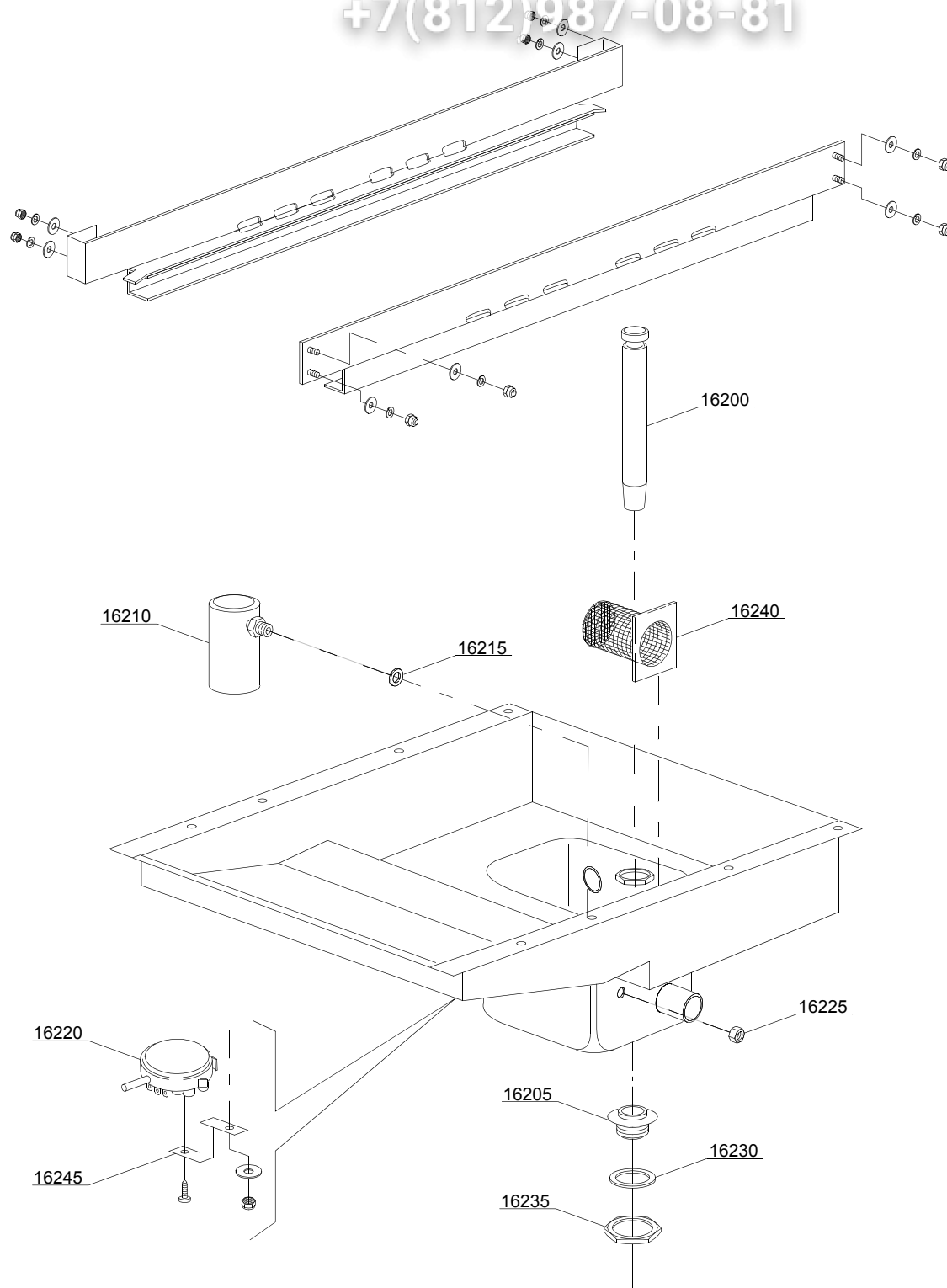
em=ELECTROMECHANICAL SWITCHES, e=ELECTRONICAL SWITCHES, uw=LOWER AND UPPER WASHER
24=24

hr=HEAT RECOVERY - TR98, hp=HEAT PUMP - TR99, sc9=STEAM CONDENSER - LC 91, csa=CONVEYOR SPEED
ADJUSTING - LC 101, 972=90°MOTORIZED CHAIN CONVEYOR - LC 97/2, 973=180°MOTORIZED CHAIN CON-
VEYOR - LC 97/3, 974=DRYER WITH 90° MOTORIZED CHAIN CONVEYOR - LC 97/4, 975=DRYER WITH 180° MO-
TORIZED CHAIN CONVEYOR - LC 97/5, d9=DRYER - LC 90, d92=DRYER - LC 90/2, d929=DRYER - LC 90/900,
cw=ADDITIONAL BOILER FOR COLD WATER SUPPLY, dvgw=DVGW VALVE SYSTEM, des=DETERGENT ECON-
OMIZER SYSTEM, szc9=SPLASH ZONE WITH CILINDER - LC 94, ti=TANK INSULATION, ds=DOUBLE SKIN,
bp=BOOSTER PUMP, sdn3=DISPENSER SYSTEM SDN-3, 98=ANGLE LOADING TABLE - LC 98

A=3/N/PE~380-400V 50-60Hz, D=3/PE~200-210V 50-60Hz, F=2/PE~220-240V 50-60Hz, G=3/N/PE~415V 50-60Hz,
H=3/PE~220-230V 50-60Hz, K=3/PE~380-400V 50-60Hz, L=3/PE~415V 50-60Hz, M=3/PE~440V 60Hz, P=1/N/PE~220-
230V 50-60Hz, R=2/PE~220-240V 50-60Hz, U=1/N/PE~240V 50-60Hz, V=3/PE~240V 50-60Hz, W=1/N/PE~100-110V
50-60Hz

vsezip.ru

+7(812)987-08-81



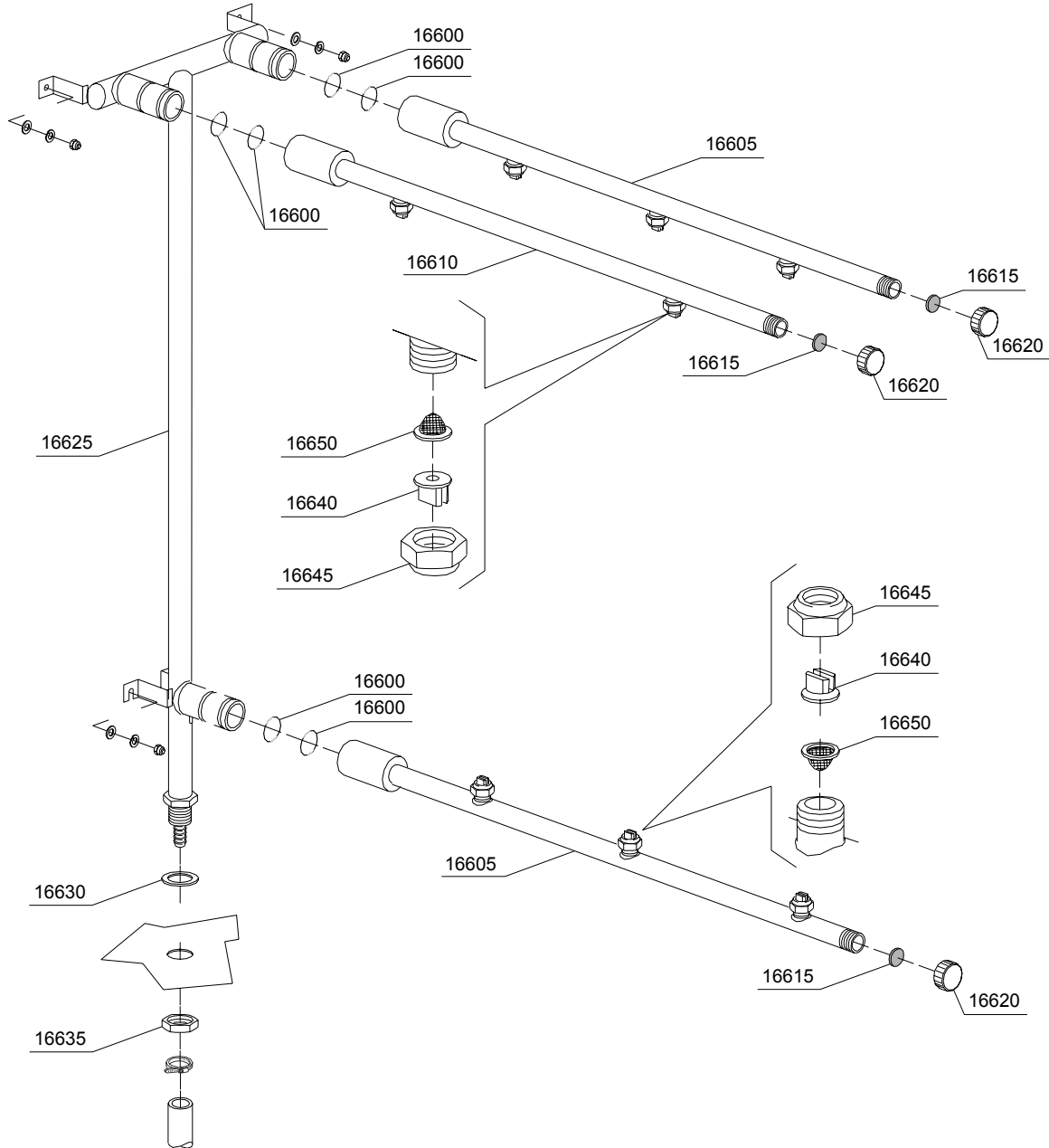
27_005_e

| ID | P-code | SN from | SN to | Mod. | Acces | Volt | Description |
|---|---------|---------|-------|---------|-------|------|-----------------------------|
| Module: Internal components rinsing module 500 | | | | | | | |
| 16200 | 3004089 | | - | em,e,uw | | | Tank plug |
| 16205 | 15063 | | - | em,e,uw | | | Stainless steel floor drain |
| 16210 | 80106 | | - | em,e,uw | | | Air trap |
| 16215 | 13301 | | - | em,e,uw | | | Gasket ROLMART 14x8x1.5 |
| 16220 | 10706/A | | - | em,e,uw | | | Pressure switch (55-30) |
| 16225 | 11702 | | - | em,e,uw | | | Nut |
| 16230 | 13305 | | - | em,e,uw | | | Gasket 44x32x3 |
| 16235 | 11701/A | | - | em,e,uw | | | Nut |
| 16240 | 10914 | | - | em,e,uw | | | Pump filter |
| 16245 | 3009363 | | - | em,e,uw | | | Pressure switch support |

em=ELECTROMECHANICAL SWITCHES, e=ELECTRONICAL SWITCHES, uw=LOWER AND UPPER WASHER
24=24

hr=HEAT RECOVERY - TR98, hp=HEAT PUMP - TR99, sc9=STEAM CONDENSER - LC 91, csa=CONVEYOR SPEED
ADJUSTING - LC 101, 972=90°MOTORIZED CHAIN CONVEYOR - LC 97/2, 973=180°MOTORIZED CHAIN CON-
VEYOR - LC 97/3, 974=DRYER WITH 90° MOTORIZED CHAIN CONVEYOR - LC 97/4, 975=DRYER WITH 180° MO-
TORIZED CHAIN CONVEYOR - LC 97/5, d9=DRYER - LC 90, d92=DRYER - LC 90/2, d929=DRYER - LC 90/900,
cw=ADDITIONAL BOILER FOR COLD WATER SUPPLY, dvgw=DVGW VALVE SYSTEM, des=DETERGENT ECON-
OMIZER SYSTEM, szc9=SPLASH ZONE WITH CILINDER - LC 94, ti=TANK INSULATION, ds=DOUBLE SKIN,
bp=BOOSTER PUMP, sdn3=DISPENSER SYSTEM SDN-3, 98=ANGLE LOADING TABLE - LC 98

A=3/N/PE~380-400V 50-60Hz, D=3/PE~200-210V 50-60Hz, F=2/PE~220-240V 50-60Hz, G=3/N/PE~415V 50-60Hz,
H=3/PE~220-230V 50-60Hz, K=3/PE~380-400V 50-60Hz, L=3/PE~415V 50-60Hz, M=3/PE~440V 60Hz, P=1/N/PE~220-
230V 50-60Hz, R=2/PE~220-240V 50-60Hz, U=1/N/PE~240V 50-60Hz, V=3/PE~240V 50-60Hz, W=1/N/PE~100-110V
50-60Hz



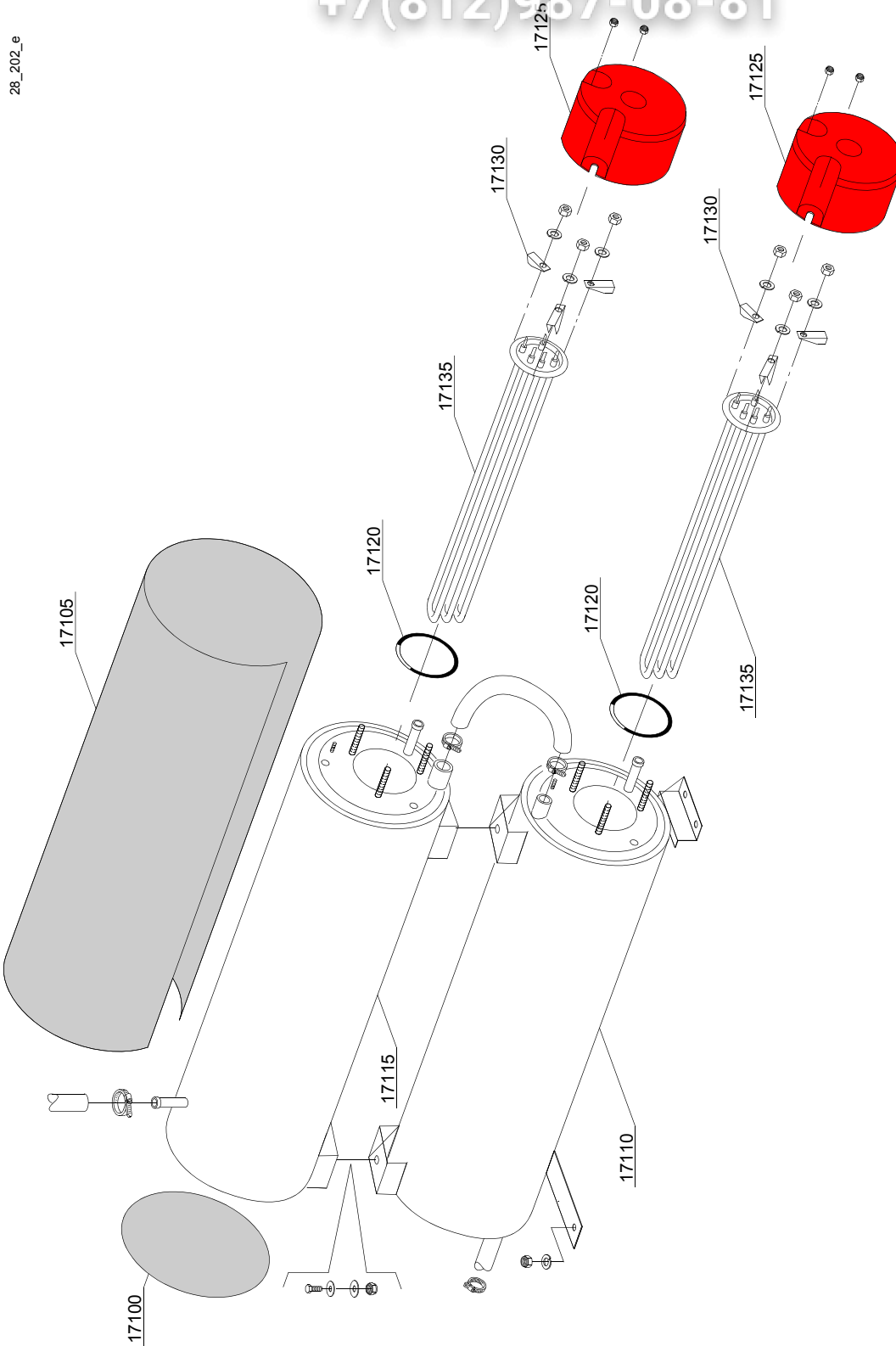
| ID | P-code | SN from | SN to | Mod. | Acces | Volt | Description |
|----------------------------------|---------|---------|-------|---------|-------|------|----------------------|
| Module:Rinsing components | | | | | | | |
| 16600 | 13025 | | - | em,e,uw | | | O-ring 2081 |
| 16605 | 3003902 | | - | em,e,uw | | | Rinsing arm 3 nozzle |
| 16610 | 3003901 | | - | em,e,uw | | | Rinsing arm 2 nozzle |
| 16615 | 2002051 | | - | em,e,uw | | | Gasket EPDM 17.5x1.5 |
| 16620 | 2002054 | | - | em,e,uw | | | Plug for arm |
| 16625 | 3003952 | | - | em,e,uw | | | Rinsing ramp |
| 16630 | 13326 | | - | em,e,uw | | | Gasket 38x27x2 |
| 16635 | 2200103 | | - | em,e,uw | | | Nut |
| 16640 | 2200114 | | - | em,e,uw | | | Nozzle |
| 16645 | 2200116 | | - | em,e,uw | | | Nut |
| 16650 | 2200117 | | - | em,e,uw | | | Filter |

em=ELECTROMECHANICAL SWITCHES, e=ELECTRONICAL SWITCHES, uw=LOWER AND UPPER WASHER
24=24

hr=HEAT RECOVERY - TR98, hp=HEAT PUMP - TR99, sc9=STEAM CONDENSER - LC 91, csa=CONVEYOR SPEED ADJUSTING - LC 101, 972=90°MOTORIZED CHAIN CONVEYOR - LC 97/2, 973=180°MOTORIZED CHAIN CONVEYOR - LC 97/3, 974=DRYER WITH 90° MOTORIZED CHAIN CONVEYOR - LC 97/4, 975=DRYER WITH 180° MOTORIZED CHAIN CONVEYOR - LC 97/5, d9=DRYER - LC 90, d92=DRYER - LC 90/2, d929=DRYER - LC 90/900, cw=ADDITIONAL BOILER FOR COLD WATER SUPPLY, dvgw=DVGW VALVE SYSTEM, des=DETERGENT ECONOMIZER SYSTEM, szc9=SPLASH ZONE WITH CILINDER - LC 94, ti=TANK INSULATION, ds=DOUBLE SKIN, bp=BOOSTER PUMP, sdn3=DISPENSER SYSTEM SDN-3, 98=ANGLE LOADING TABLE - LC 98
A=3/N/PE~380-400V 50-60Hz, D=3/PE~200-210V 50-60Hz, F=2/PE~220-240V 50-60Hz, G=3/N/PE~415V 50-60Hz, H=3/PE~220-230V 50-60Hz, K=3/PE~380-400V 50-60Hz, L=3/PE~415V 50-60Hz, M=3/PE~440V 60Hz, P=1/N/PE~220-230V 50-60Hz, R=2/PE~220-240V 50-60Hz, U=1/N/PE~240V 50-60Hz, V=3/PE~240V 50-60Hz, W=1/N/PE~100-110V 50-60Hz

vsezip.ru

+7(812)987-08-81



| ID | P-code | SN from | SN to | Mod. | Acces | Volt | Description |
|---------------------------------|------------|---------|-------|---------|-------|------|------------------------------|
| Module:Boiler components | | | | | | | |
| 17100 | 75205 | | - | em,e,uw | | | Bottom boiler insulating |
| 17105 | 30002030 | | - | em,e,uw | | | Boiler insulating |
| 17110 | 3007012 | | - | em,e,uw | | | Inferior Boiler |
| 17115 | 3007013 | | - | em,e,uw | | | Upper Boiler |
| 17120 | 13015 | | - | em,e,uw | | | O-ring 160 (6225) |
| 17125 | 75311 | | - | em,e,uw | | | Heating element cover |
| 17130 | 16045 | | - | em,e,uw | | | Heating element support Ø6.3 |
| 17135 | 30001011 | | - | em,e,uw | | A | Heating element 9kW |
| 17135 | 30001011/A | | - | em,e,uw | | A | Heating element 12kW |
| 17135 | 30001011/B | | - | em,e,uw | | A | Heating element 14kW |

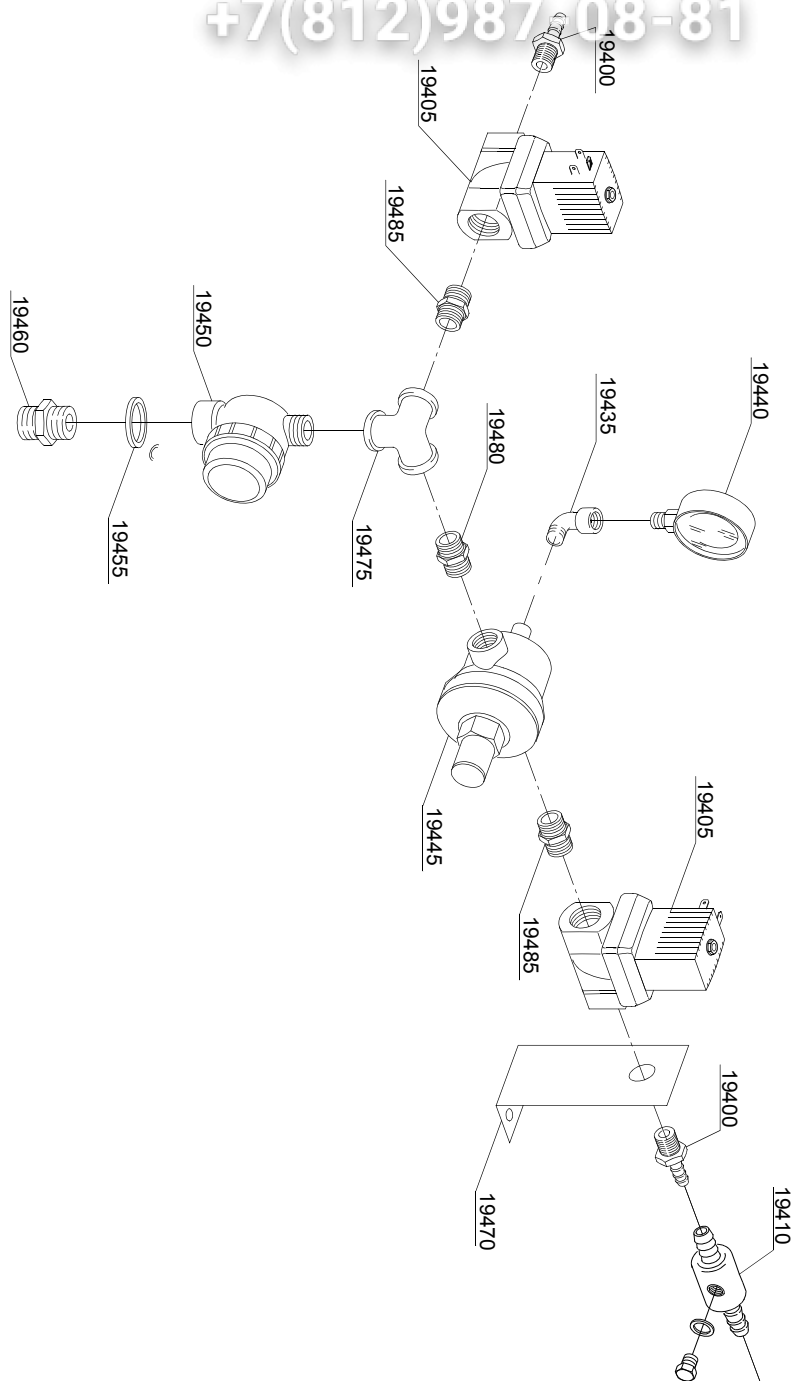
em=ELECTROMECHANICAL SWITCHES, e=ELECTRONICAL SWITCHES, uw=LOWER AND UPPER WASHER
24=24

hr=HEAT RECOVERY - TR98, hp=HEAT PUMP - TR99, sc9=STEAM CONDENSER - LC 91, csa=CONVEYOR SPEED ADJUSTING - LC 101, 972=90°MOTORIZED CHAIN CONVEYOR - LC 97/2, 973=180°MOTORIZED CHAIN CONVEYOR - LC 97/3, 974=DRYER WITH 90° MOTORIZED CHAIN CONVEYOR - LC 97/4, 975=DRYER WITH 180° MOTORIZED CHAIN CONVEYOR - LC 97/5, d9=DRYER - LC 90, d92=DRYER - LC 90/2, d929=DRYER - LC 90/900, cw=ADDITIONAL BOILER FOR COLD WATER SUPPLY, dvgw=DVGW VALVE SYSTEM, des=DETERGENT ECONOMIZER SYSTEM, szc9=SPLASH ZONE WITH CILINDER - LC 94, ti=TANK INSULATION, ds=DOUBLE SKIN, bp=BOOSTER PUMP, sdn3=DISPENSER SYSTEM SDN-3, 98=ANGLE LOADING TABLE - LC 98

A=3/N/PE~380-400V 50-60Hz, D=3/PE~200-210V 50-60Hz, F=2/PE~220-240V 50-60Hz, G=3/N/PE~415V 50-60Hz, H=3/PE~220-230V 50-60Hz, K=3/PE~380-400V 50-60Hz, L=3/PE~415V 50-60Hz, M=3/PE~440V 60Hz, P=1/N/PE~220-230V 50-60Hz, R=2/PE~220-240V 50-60Hz, U=1/N/PE~240V 50-60Hz, V=3/PE~240V 50-60Hz, W=1/N/PE~100-110V 50-60Hz

vsezip.ru

+7(812)987-08-81



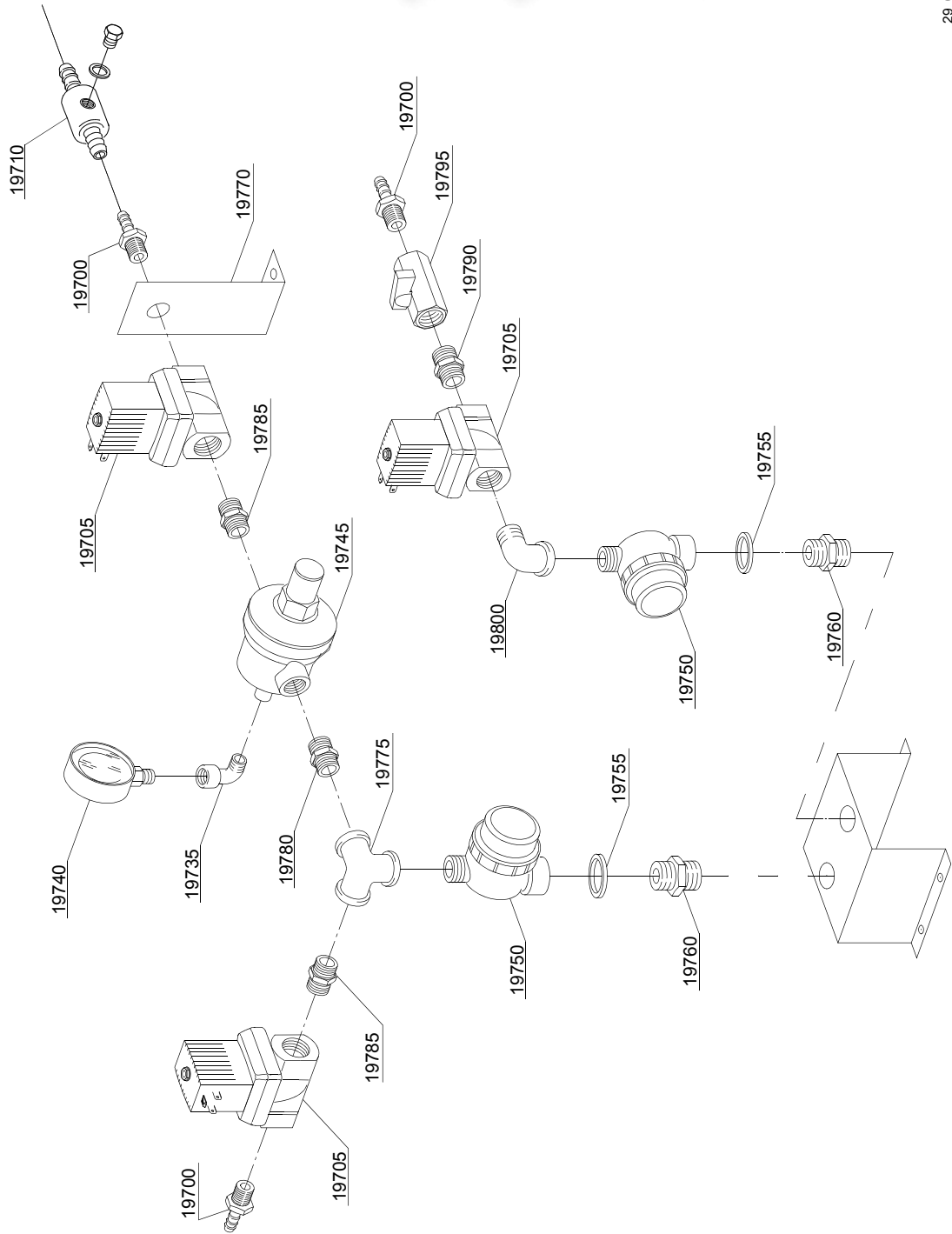
29_007ae

| ID | P-code | SN from | SN to | Mod. | Acces | Volt | Description |
|--|----------|---------|-------|---------|-------|------|--------------------------|
| Module:Solenoid valves components | | | | | | | |
| 19400 | 12023 | | - | em,e,uw | | | Hose holder |
| 19405 | 3002030 | | - | em,e,uw | | | Solenoid valve |
| 19410 | 3003906 | | - | em,e,uw | | | Connection T |
| 19435 | 12012 | | - | em,e,uw | | | Elbow |
| 19440 | 2000244 | | - | em,e,uw | | | Pressure reduction gauge |
| 19445 | 2000364 | | - | em,e,uw | | | Pressure reduction valve |
| 19450 | 2000121 | | - | em,e,uw | | | Filter |
| 19455 | 13326 | | - | em,e,uw | | | Gasket 38x27x2 |
| 19460 | 12025 | | - | em,e,uw | | | Nipples |
| 19465 | 12033 | | - | em,e,uw | | | Nipples |
| 19470 | 3009439 | | - | em,e,uw | | | Solenoid valve support |
| 19475 | 3002143 | | - | em,e,uw | | | Elbow distributor |
| 19480 | 10200208 | | - | em,e,uw | | | Nipples |
| 19485 | 3002145 | | - | em,e,uw | | | Reduction nipples |

em=ELECTROMECHANICAL SWITCHES, e=ELECTRONICAL SWITCHES, uw=LOWER AND UPPER WASHER
24=24

hr=HEAT RECOVERY - TR98, hp=HEAT PUMP - TR99, sc9=STEAM CONDENSER - LC 91, csa=CONVEYOR SPEED ADJUSTING - LC 101, 972=90°MOTORIZED CHAIN CONVEYOR - LC 97/2, 973=180°MOTORIZED CHAIN CONVEYOR - LC 97/3, 974=DRYER WITH 90° MOTORIZED CHAIN CONVEYOR - LC 97/4, 975=DRYER WITH 180° MOTORIZED CHAIN CONVEYOR - LC 97/5, d9=DRYER - LC 90, d92=DRYER - LC 90/2, d929=DRYER - LC 90/900, cw=ADDITIONAL BOILER FOR COLD WATER SUPPLY, dvgw=DVGW VALVE SYSTEM, des=DETERGENT ECONOMIZER SYSTEM, szc9=SPLASH ZONE WITH CILINDER - LC 94, ti=TANK INSULATION, ds=DOUBLE SKIN, bp=BOOSTER PUMP, sdn3=DISPENSER SYSTEM SDN-3, 98=ANGLE LOADING TABLE - LC 98

A=3/N/PE~380-400V 50-60Hz, D=3/PE~200-210V 50-60Hz, F=2/PE~220-240V 50-60Hz, G=3/N/PE~415V 50-60Hz, H=3/PE~220-230V 50-60Hz, K=3/PE~380-400V 50-60Hz, L=3/PE~415V 50-60Hz, M=3/PE~440V 60Hz, P=1/N/PE~220-230V 50-60Hz, R=2/PE~220-240V 50-60Hz, U=1/N/PE~240V 50-60Hz, V=3/PE~240V 50-60Hz, W=1/N/PE~100-110V 50-60Hz



| ID | P-code | SN from | SN to | Mod. | Acces | Volt | Description |
|--|----------|---------|-------|---------|-------|------|--------------------------|
| Module:Solenoid valves components | | | | | | | |
| 19700 | 12023 | | - | em,e,uw | | | Hose holder |
| 19705 | 3002030 | | - | em,e,uw | | | Solenoid valve |
| 19710 | 3003906 | | - | em,e,uw | | | Connection T |
| 19735 | 12012 | | - | em,e,uw | | | Elbow |
| 19740 | 2000244 | | - | em,e,uw | | | Pressure reduction gauge |
| 19745 | 2000364 | | - | em,e,uw | | | Pressure reduction valve |
| 19750 | 2000121 | | - | em,e,uw | | | Filter |
| 19755 | 13326 | | - | em,e,uw | | | Gasket 38x27x2 |
| 19760 | 12025 | | - | em,e,uw | | | Nipples |
| 19765 | 12033 | | - | em,e,uw | | | Nipples |
| 19770 | 3009439 | | - | em,e,uw | | | Solenoid valve support |
| 19775 | 3002143 | | - | em,e,uw | | | Elbow distributor |
| 19780 | 10200208 | | - | em,e,uw | | | Nipples |
| 19785 | 3002145 | | - | em,e,uw | | | Reduction nipples |
| 19790 | 12027 | | - | em,e,uw | | | Nipples |
| 19795 | 3002140 | | - | em,e,uw | | | Tap |
| 19800 | 3002141 | | - | em,e,uw | | | Elbow |

em=ELECTROMECHANICAL SWITCHES, e=ELECTRONICAL SWITCHES, uw=LOWER AND UPPER WASHER
24=24

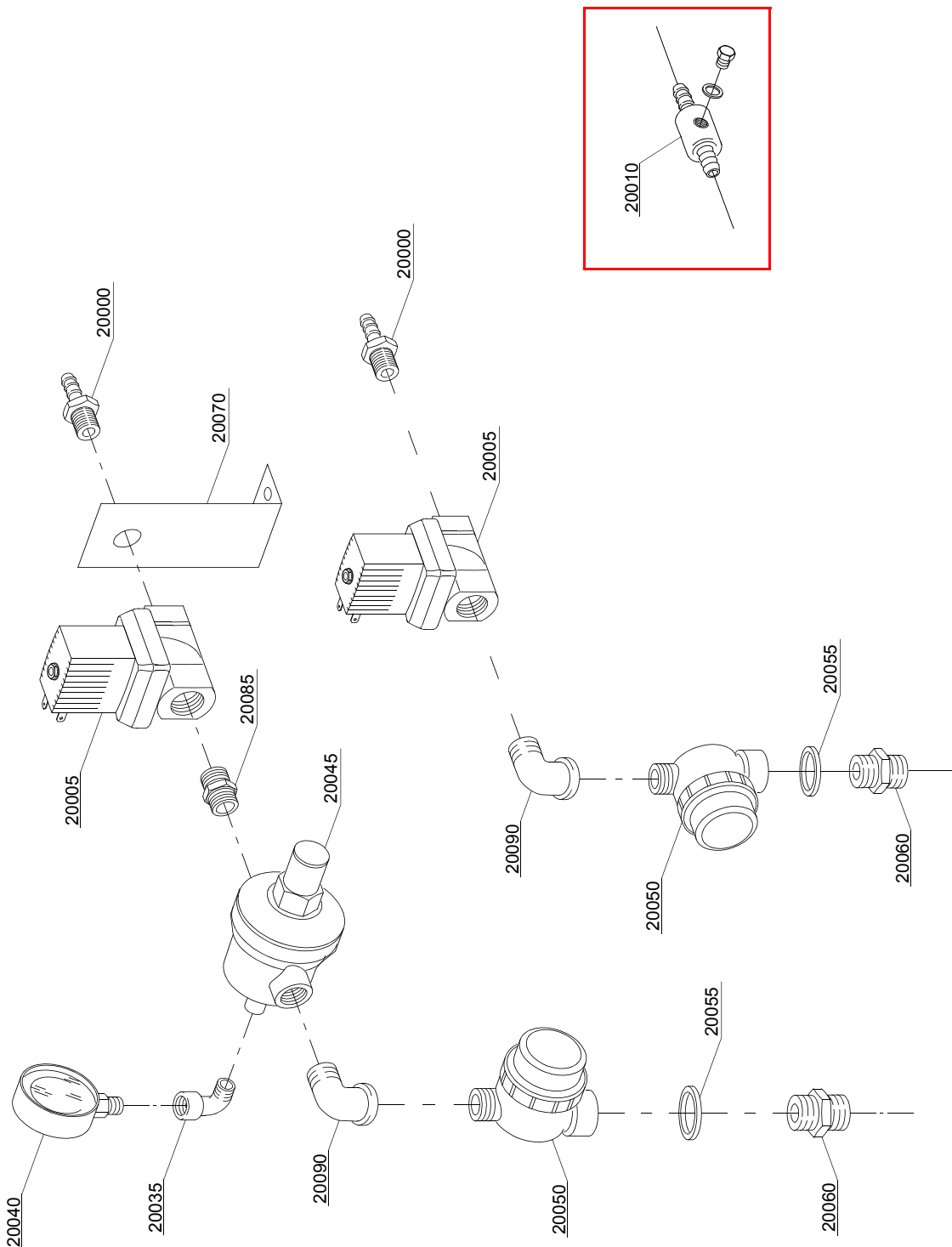
hr=HEAT RECOVERY - TR98, hp=HEAT PUMP - TR99, sc9=STEAM CONDENSER - LC 91, csa=CONVEYOR SPEED
ADJUSTING - LC 101, 972=90°MOTORIZED CHAIN CONVEYOR - LC 97/2, 973=180°MOTORIZED CHAIN CON-
VEYOR - LC 97/3, 974=DRYER WITH 90° MOTORIZED CHAIN CONVEYOR - LC 97/4, 975=DRYER WITH 180° MO-
TORIZED CHAIN CONVEYOR - LC 97/5, d9=DRYER - LC 90, d92=DRYER - LC 90/2, d929=DRYER - LC 90/900,
cw=ADDITIONAL BOILER FOR COLD WATER SUPPLY, dvgw=DVGW VALVE SYSTEM, des=DETERGENT ECON-
OMIZER SYSTEM, szc9=SPLASH ZONE WITH CILINDER - LC 94, ti=TANK INSULATION, ds=DOUBLE SKIN,
bp=BOOSTER PUMP, sdn3=DISPENSER SYSTEM SDN-3, 98=ANGLE LOADING TABLE - LC 98

A=3/N/PE~380-400V 50-60Hz, D=3/PE~200-210V 50-60Hz, F=2/PE~220-240V 50-60Hz, G=3/N/PE~415V 50-60Hz,
H=3/PE~220-230V 50-60Hz, K=3/PE~380-400V 50-60Hz, L=3/PE~415V 50-60Hz, M=3/PE~440V 60Hz, P=1/N/PE~220-
230V 50-60Hz, R=2/PE~220-240V 50-60Hz, U=1/N/PE~240V 50-60Hz, V=3/PE~240V 50-60Hz, W=1/N/PE~100-110V
50-60Hz

vsezip.ru

+7(812)987-08-81

29_014ae



| ID | P-code | SN from | SN to | Mod. | Acces. | Volt | Description |
|--|-----------|---------|-------|---------|--------|------|--------------------------|
| Module:Solenoid valves components | | | | | | | |
| 20000 | 12023 | | - | em,e,uw | | | Hose holder |
| 20005 | 3002030 | | - | em,e,uw | | | Solenoid valve |
| 20010 | 3003906 | | - | em,e,uw | | | Connection T |
| 20035 | 12012 | | - | em,e,uw | | | Elbow |
| 20040 | 2000244 | | - | em,e,uw | | | Pressure reduction gauge |
| 20045 | 2000364 | | - | em,e,uw | | | Pressure reduction valve |
| 20050 | 2000121 | | - | em,e,uw | | | Filter |
| 20055 | 13326 | | - | em,e,uw | | | Gasket 38x27x2 |
| 20060 | 12025 | | - | em,e,uw | | | Nipples |
| 20070 | 3009439 | | - | em,e,uw | | | Solenoid valve support |
| 20085 | 3002145 | | - | em,e,uw | | | Reduction nipples |
| 20090 | 3002141 | | - | em,e,uw | | | Elbow |
| 20095 | 3004165 | | - | em,e,uw | | | Filter |
| 20100 | 3002140 | | - | em,e,uw | | | Tap |
| 20105 | 12027 | | - | em,e,uw | | | Nipples |
| 20110 | 3009649/A | | - | em,e,uw | | | Solenoid valve support |
| 20115 | 12028 | | - | em,e,uw | | | Connection T |

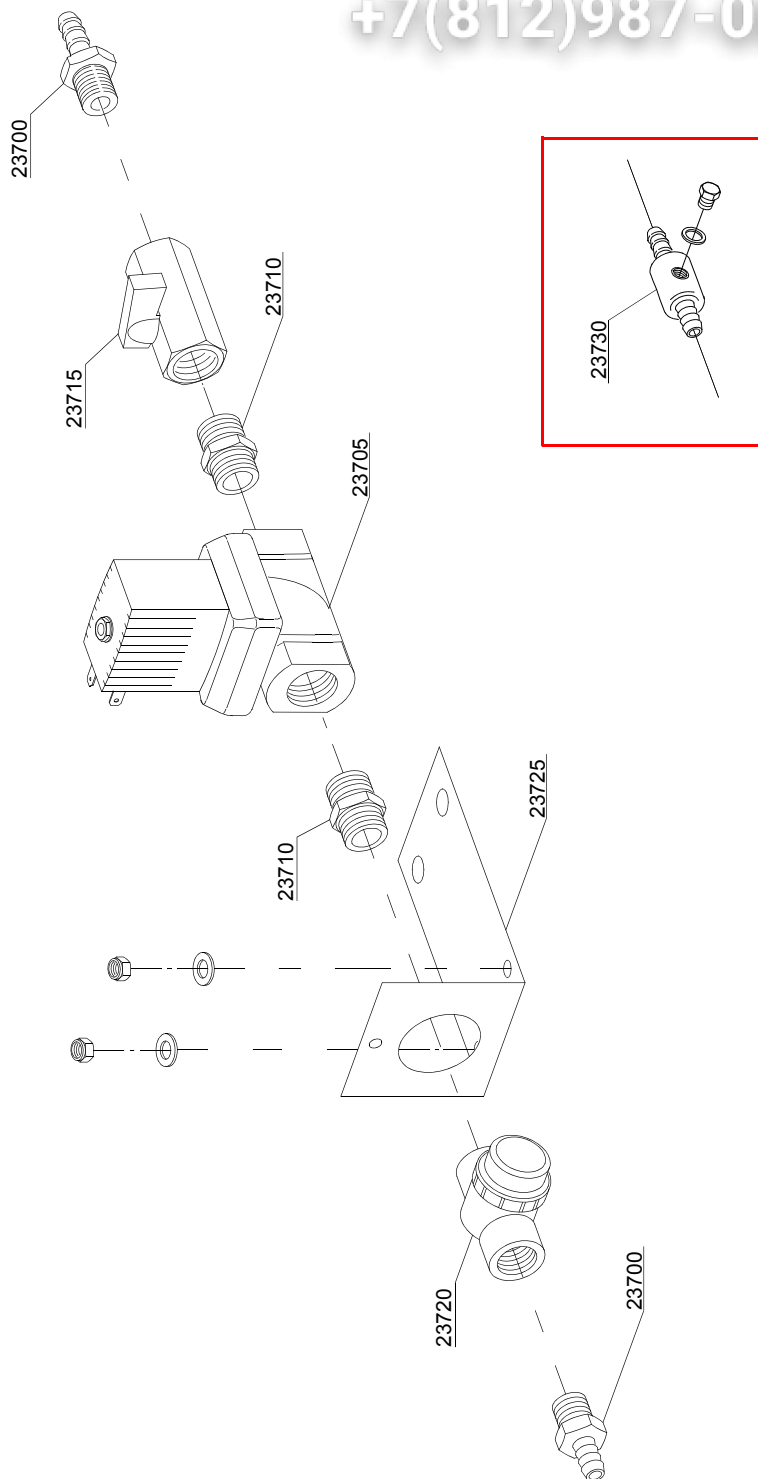
em=ELECTROMECHANICAL SWITCHES, e=ELECTRONICAL SWITCHES, uw=LOWER AND UPPER WASHER
24=24

hr=HEAT RECOVERY - TR98, hp=HEAT PUMP - TR99, sc9=STEAM CONDENSER - LC 91, csa=CONVEYOR SPEED
ADJUSTING - LC 101, 972=90°MOTORIZED CHAIN CONVEYOR - LC 97/2, 973=180°MOTORIZED CHAIN CON-
VEYOR - LC 97/3, 974=DRYER WITH 90° MOTORIZED CHAIN CONVEYOR - LC 97/4, 975=DRYER WITH 180° MO-
TORIZED CHAIN CONVEYOR - LC 97/5, d9=DRYER - LC 90, d92=DRYER - LC 90/2, d929=DRYER - LC 90/900,
cw=ADDITIONAL BOILER FOR COLD WATER SUPPLY, dvgw=DVGW VALVE SYSTEM, des=DETERGENT ECON-
OMIZER SYSTEM, szc9=SPLASH ZONE WITH CILINDER - LC 94, ti=TANK INSULATION, ds=DOUBLE SKIN,
bp=BOOSTER PUMP, sdn3=DISPENSER SYSTEM SDN-3, 98=ANGLE LOADING TABLE - LC 98

A=3/N/PE~380-400V 50-60Hz, D=3/PE~200-210V 50-60Hz, F=2/PE~220-240V 50-60Hz, G=3/N/PE~415V 50-60Hz,
H=3/PE~220-230V 50-60Hz, K=3/PE~380-400V 50-60Hz, L=3/PE~415V 50-60Hz, M=3/PE~440V 60Hz, P=1/N/PE~220-
230V 50-60Hz, R=2/PE~220-240V 50-60Hz, U=1/N/PE~240V 50-60Hz, V=3/PE~240V 50-60Hz, W=1/N/PE~100-110V
50-60Hz

vsezip.ru

+7(812)987-08-81



29_016ae

| ID | P-code | SN from | SN to | Mod. | Acces. | Volt | Description |
|---|-----------|---------|-------|---------|--------|------|------------------------|
| Module:Detergent economizer system | | | | | | | |
| 23705 | 3002030 | | - | em,e,uw | | | Solenoid valve |
| 23710 | 12027 | | - | em,e,uw | | | Nipples |
| 23715 | 3002140 | | - | em,e,uw | | | Tap |
| 23720 | 3004165 | | - | em,e,uw | | | Filter |
| 23725 | 3009649/A | | - | em,e,uw | | | Solenoid valve support |
| 23730 | 3003906 | | - | em,e,uw | | | Connection T |

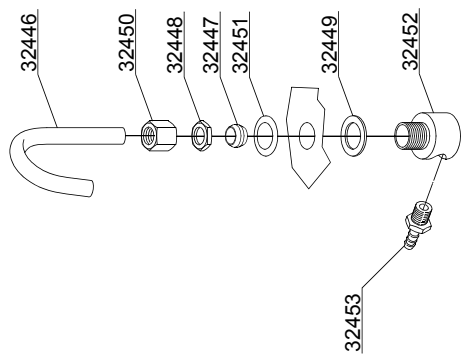
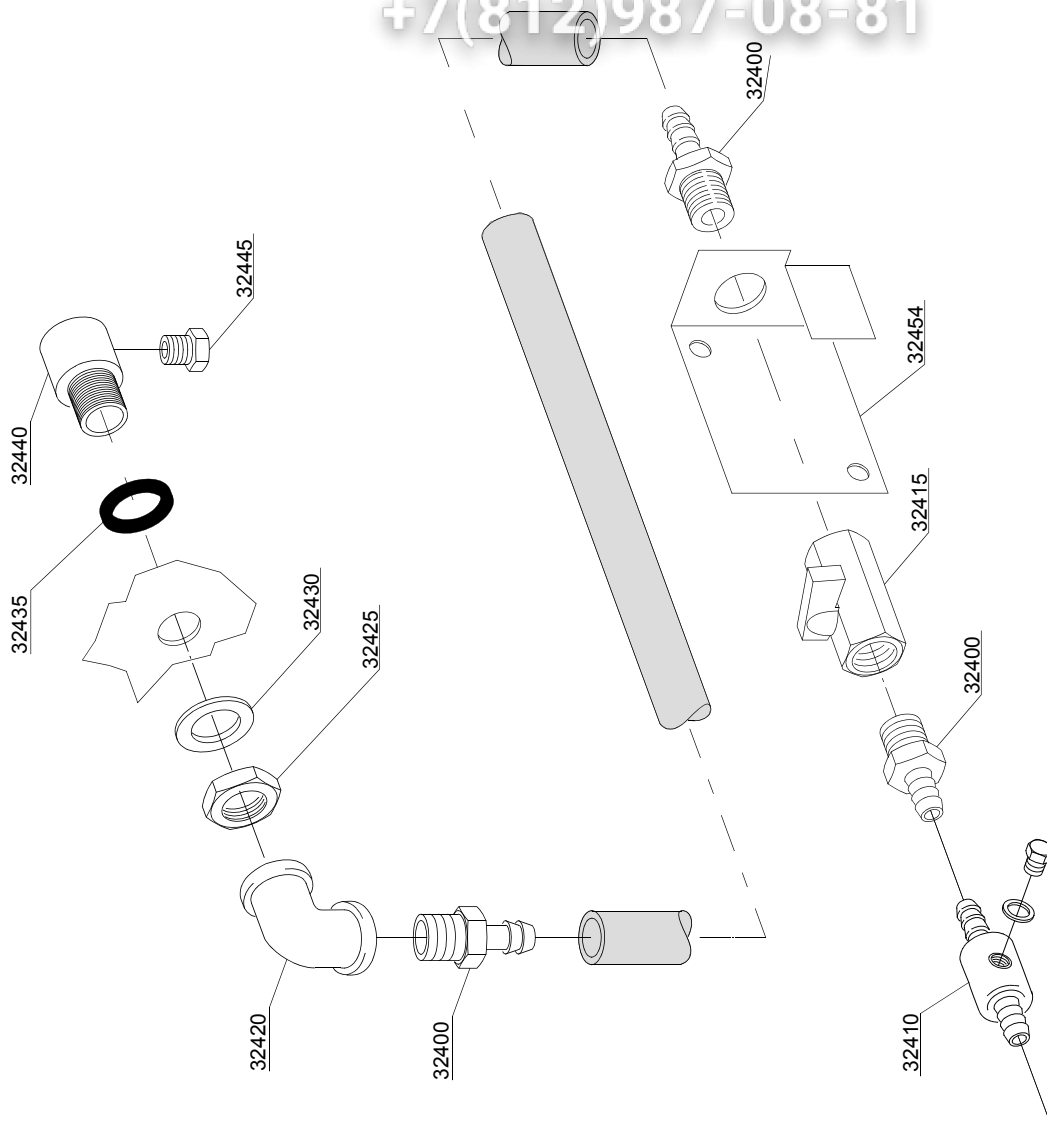
em=ELECTROMECHANICAL SWITCHES, e=ELECTRONICAL SWITCHES, uw=LOWER AND UPPER WASHER
24=24

hr=HEAT RECOVERY - TR98, hp=HEAT PUMP - TR99, sc9=STEAM CONDENSER - LC 91, csa=CONVEYOR SPEED ADJUSTING - LC 101, 972=90°MOTORIZED CHAIN CONVEYOR - LC 97/2, 973=180°MOTORIZED CHAIN CONVEYOR - LC 97/3, 974=DRYER WITH 90° MOTORIZED CHAIN CONVEYOR - LC 97/4, 975=DRYER WITH 180° MOTORIZED CHAIN CONVEYOR - LC 97/5, d9=DRYER - LC 90, d92=DRYER - LC 90/2, d929=DRYER - LC 90/900, cw=ADDITIONAL BOILER FOR COLD WATER SUPPLY, dvgw=DVGW VALVE SYSTEM, des=DETERGENT ECONOMIZER SYSTEM, szc9=SPLASH ZONE WITH CILINDER - LC 94, ti=TANK INSULATION, ds=DOUBLE SKIN, bp=BOOSTER PUMP, sdn3=DISPENSER SYSTEM SDN-3, 98=ANGLE LOADING TABLE - LC 98

A=3/N/PE~380-400V 50-60Hz, D=3/PE~200-210V 50-60Hz, F=2/PE~220-240V 50-60Hz, G=3/N/PE~415V 50-60Hz, H=3/PE~220-230V 50-60Hz, K=3/PE~380-400V 50-60Hz, L=3/PE~415V 50-60Hz, M=3/PE~440V 60Hz, P=1/N/PE~220-230V 50-60Hz, R=2/PE~220-240V 50-60Hz, U=1/N/PE~240V 50-60Hz, V=3/PE~240V 50-60Hz, W=1/N/PE~100-110V 50-60Hz

vsezip.ru

+7(812)987-08-81



29_017ae

| ID | P-code | SN from | SN to | Mod. | Acces | Volt | Description |
|---|-----------|---------|-------|---------|-------|------|----------------------|
| Module:Detergent economizer system | | | | | | | |
| 32400 | 12023 | | - | em,e,uw | | | Hose holder |
| 32405 | 12027 | | - | em,e,uw | | | Nipples |
| 32410 | 12028 | | - | em,e,uw | | | Connection T |
| 32415 | 3002140 | | - | em,e,uw | | | Tap |
| 32420 | 12018 | | - | em,e,uw | | | Elbow 3/8 F-F |
| 32425 | 10200101 | | - | em,e,uw | | | Inox nut 3/8 |
| 32430 | 3009387 | | - | em,e,uw | | | Washer |
| 32435 | 10200171 | | - | em,e,uw | | | Gasket |
| 32440 | 80231 | | - | em,e,uw | | | Pipe fitting |
| 32445 | 3004168 | | - | em,e,uw | | | Detergent dispenser |
| 32446 | 3004054 | | - | em,e,uw | | | Inlet pipe |
| 32447 | 10600016 | | - | em,e,uw | | | Cone |
| 32448 | 10200101 | | - | em,e,uw | | | Nut |
| 32449 | 10200182 | | - | em,e,uw | | | Gasket FASIT 25x17x2 |
| 32450 | 3009387 | | - | em,e,uw | | | Nut |
| 32451 | 10200171 | | - | em,e,uw | | | Washer |
| 32452 | 80231 | | - | em,e,uw | | | Fitting |
| 32453 | 12005 | | - | em,e,uw | | | Hose holder |
| 32454 | 3009649/A | | - | em,e,uw | | | Valve support |

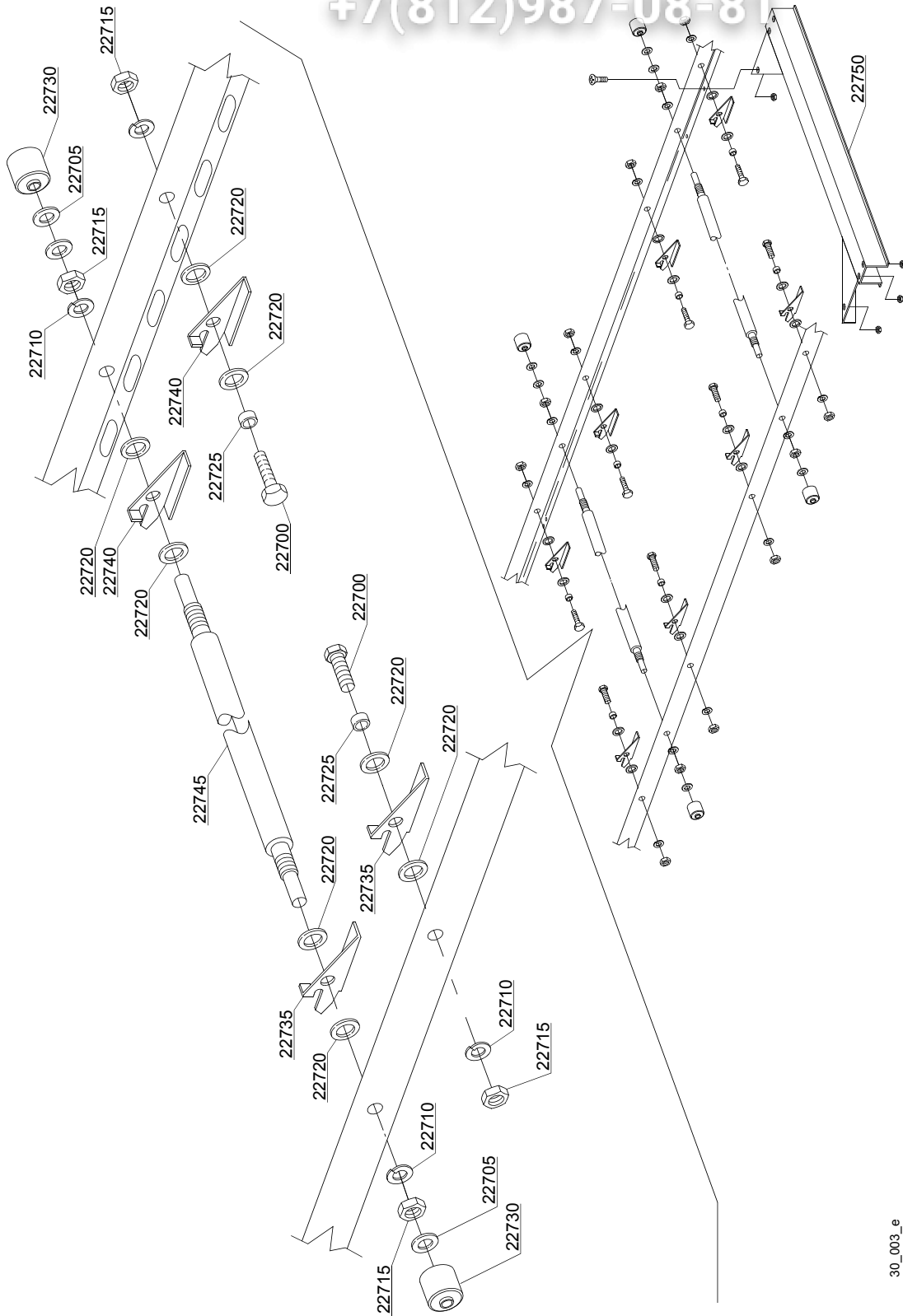
em=ELECTROMECHANICAL SWITCHES, e=ELECTRONICAL SWITCHES, uw=LOWER AND UPPER WASHER
24=24

hr=HEAT RECOVERY - TR98, hp=HEAT PUMP - TR99, sc9=STEAM CONDENSER - LC 91, csa=CONVEYOR SPEED
ADJUSTING - LC 101, 972=90°MOTORIZED CHAIN CONVEYOR - LC 97/2, 973=180°MOTORIZED CHAIN CON-
VEYOR - LC 97/3, 974=DRYER WITH 90° MOTORIZED CHAIN CONVEYOR - LC 97/4, 975=DRYER WITH 180° MO-
TORIZED CHAIN CONVEYOR - LC 97/5, d9=DRYER - LC 90, d92=DRYER - LC 90/2, d929=DRYER - LC 90/900,
cw=ADDITIONAL BOILER FOR COLD WATER SUPPLY, dvgw=DVGW VALVE SYSTEM, des=DETERGENT ECON-
OMIZER SYSTEM, szc9=SPLASH ZONE WITH CILINDER - LC 94, ti=TANK INSULATION, ds=DOUBLE SKIN,
bp=BOOSTER PUMP, sdn3=DISPENSER SYSTEM SDN-3, 98=ANGLE LOADING TABLE - LC 98

A=3/N/PE~380-400V 50-60Hz, D=3/PE~200-210V 50-60Hz, F=2/PE~220-240V 50-60Hz, G=3/N/PE~415V 50-60Hz,
H=3/PE~220-230V 50-60Hz, K=3/PE~380-400V 50-60Hz, L=3/PE~415V 50-60Hz, M=3/PE~440V 60Hz, P=1/N/PE~220-
230V 50-60Hz, R=2/PE~220-240V 50-60Hz, U=1/N/PE~240V 50-60Hz, V=3/PE~240V 50-60Hz, W=1/N/PE~100-110V
50-60Hz

vsezip.ru

+7(812)987-08-81



30_003_e

| ID | P-code | SN from | SN to | Mod. | Acces | Volt | Description |
|-------------------------------|---------|---------|-------|---------|-------|------|--------------|
| Module: Conveyor parts | | | | | | | |
| 22700 | 11109 | | - | em,e,uw | | | Screw |
| 22705 | 11185 | | - | em,e,uw | | | Washer |
| 22710 | 11609 | | - | em,e,uw | | | Split washer |
| 22715 | 11719 | | - | em,e,uw | | | Nut |
| 22720 | 3003024 | | - | em,e,uw | | | Washer |
| 22725 | 3003025 | | - | em,e,uw | | | Bush |
| 22730 | 3003026 | | - | em,e,uw | | | Bush |
| 22735 | 3003100 | | - | em,e,uw | | | Clip right |
| 22740 | 3003101 | | - | em,e,uw | | | Clip left |
| 22745 | 3003010 | | - | em,e,uw | | | Axis |
| 22750 | 3009107 | | - | em,e,uw | | | Guide |

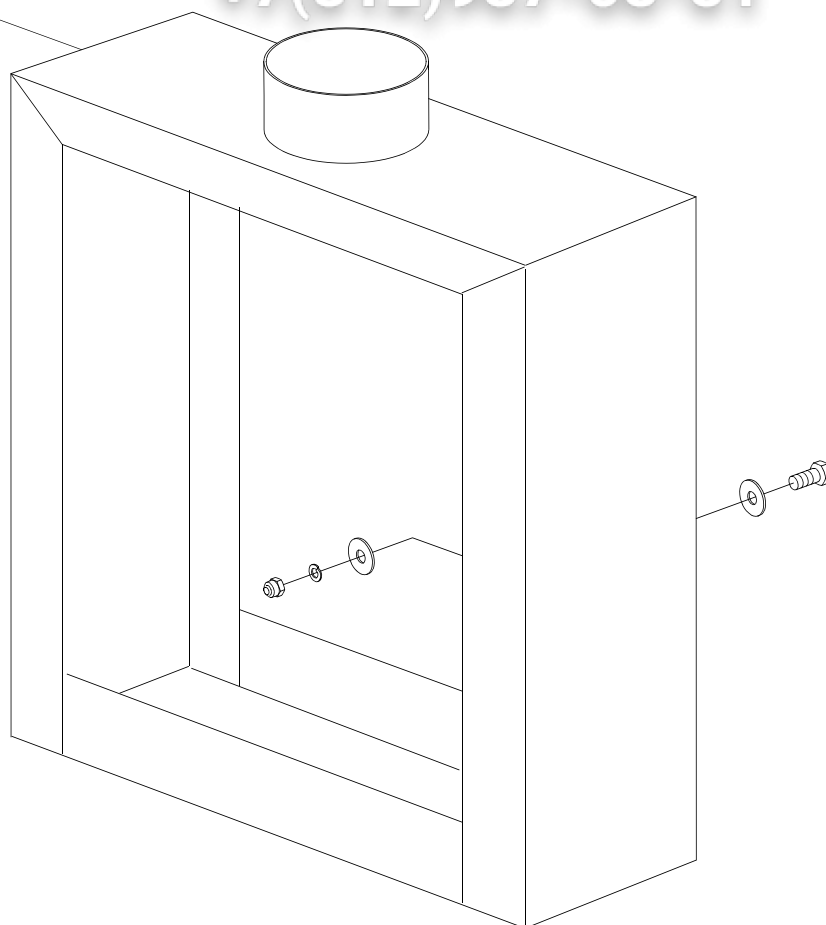
em=ELECTROMECHANICAL SWITCHES, e=ELECTRONICAL SWITCHES, uw=LOWER AND UPPER WASHER
24=24

hr=HEAT RECOVERY - TR98, hp=HEAT PUMP - TR99, sc9=STEAM CONDENSER - LC 91, csa=CONVEYOR SPEED ADJUSTING - LC 101, 972=90°MOTORIZED CHAIN CONVEYOR - LC 97/2, 973=180°MOTORIZED CHAIN CONVEYOR - LC 97/3, 974=DRYER WITH 90° MOTORIZED CHAIN CONVEYOR - LC 97/4, 975=DRYER WITH 180° MOTORIZED CHAIN CONVEYOR - LC 97/5, d9=DRYER - LC 90, d92=DRYER - LC 90/2, d929=DRYER - LC 90/900, cw=ADDITIONAL BOILER FOR COLD WATER SUPPLY, dvgw=DVGW VALVE SYSTEM, des=DETERGENT ECONOMIZER SYSTEM, szc9=SPLASH ZONE WITH CILINDER - LC 94, ti=TANK INSULATION, ds=DOUBLE SKIN, bp=BOOSTER PUMP, sdn3=DISPENSER SYSTEM SDN-3, 98=ANGLE LOADING TABLE - LC 98
A=3/N/PE~380-400V 50-60Hz, D=3/PE~200-210V 50-60Hz, F=2/PE~220-240V 50-60Hz, G=3/N/PE~415V 50-60Hz, H=3/PE~220-230V 50-60Hz, K=3/PE~380-400V 50-60Hz, L=3/PE~415V 50-60Hz, M=3/PE~440V 60Hz, P=1/N/PE~220-230V 50-60Hz, R=2/PE~220-240V 50-60Hz, U=1/N/PE~240V 50-60Hz, V=3/PE~240V 50-60Hz, W=1/N/PE~100-110V 50-60Hz

vsezip.ru

+7(812)987-08-81

22800



32_001_e

vsezip.ru

| ID | P-code | SN from | SN to | Mod. | Acces. | Volt | Description |
|---|-----------|---------|-------|---------|--------|------|--------------------------------|
| Module: Splash zone with cilinder LC94 | | | | | | | |
| 22800 | 999910065 | | - | em,e,uw | | | Splash zone with cilinder LC94 |

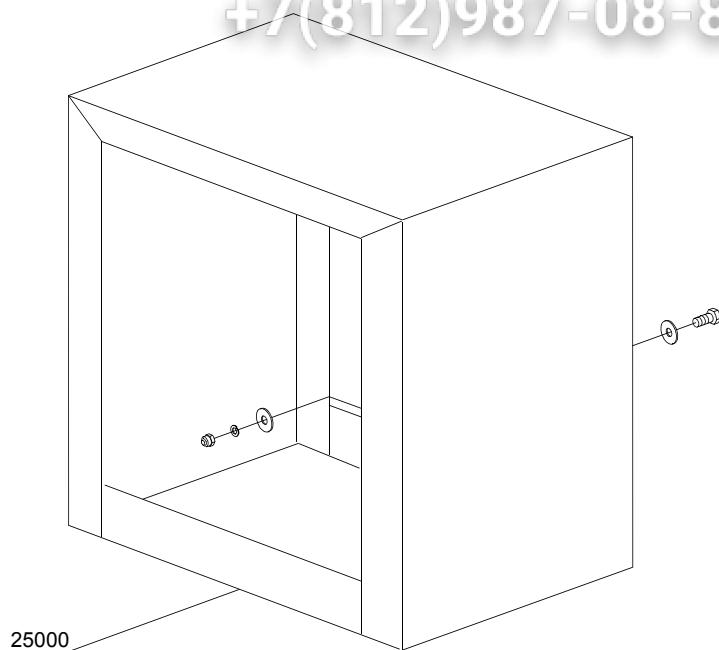
em=ELECTROMECHANICAL SWITCHES, e=ELECTRONICAL SWITCHES, uw=LOWER AND UPPER WASHER
24=24

hr=HEAT RECOVERY - TR98, hp=HEAT PUMP - TR99, sc9=STEAM CONDENSER - LC 91, csa=CONVEYOR SPEED
ADJUSTING - LC 101, 972=90°MOTORIZED CHAIN CONVEYOR - LC 97/2, 973=180°MOTORIZED CHAIN CON-
VEYOR - LC 97/3, 974=DRYER WITH 90° MOTORIZED CHAIN CONVEYOR - LC 97/4, 975=DRYER WITH 180° MO-
TORIZED CHAIN CONVEYOR - LC 97/5, d9=DRYER - LC 90, d92=DRYER - LC 90/2, d929=DRYER - LC 90/900,
cw=ADDITIONAL BOILER FOR COLD WATER SUPPLY, dvgw=DVGW VALVE SYSTEM, des=DETERGENT ECON-
OMIZER SYSTEM, szc9=SPLASH ZONE WITH CILINDER - LC 94, ti=TANK INSULATION, ds=DOUBLE SKIN,
bp=BOOSTER PUMP, sdn3=DISPENSER SYSTEM SDN-3, 98=ANGLE LOADING TABLE - LC 98

A=3/N/PE~380-400V 50-60Hz, D=3/PE~200-210V 50-60Hz, F=2/PE~220-240V 50-60Hz, G=3/N/PE~415V 50-60Hz,
H=3/PE~220-230V 50-60Hz, K=3/PE~380-400V 50-60Hz, L=3/PE~415V 50-60Hz, M=3/PE~440V 60Hz, P=1/N/PE~220-
230V 50-60Hz, R=2/PE~220-240V 50-60Hz, U=1/N/PE~240V 50-60Hz, V=3/PE~240V 50-60Hz, W=1/N/PE~100-110V
50-60Hz

vsezip.ru

+7(812)987-08-81



33_001_e

vsezip.ru

| ID | P-code | SN from | SN to | Mod. | Acces | Volt | Description |
|---------------------------------|-----------|---------|-------|---------|-------|------|-------------|
| Module: Splash zone L500 | | | | | | | |
| 25000 | 999910061 | | - | em,e,uw | | | Splash zone |

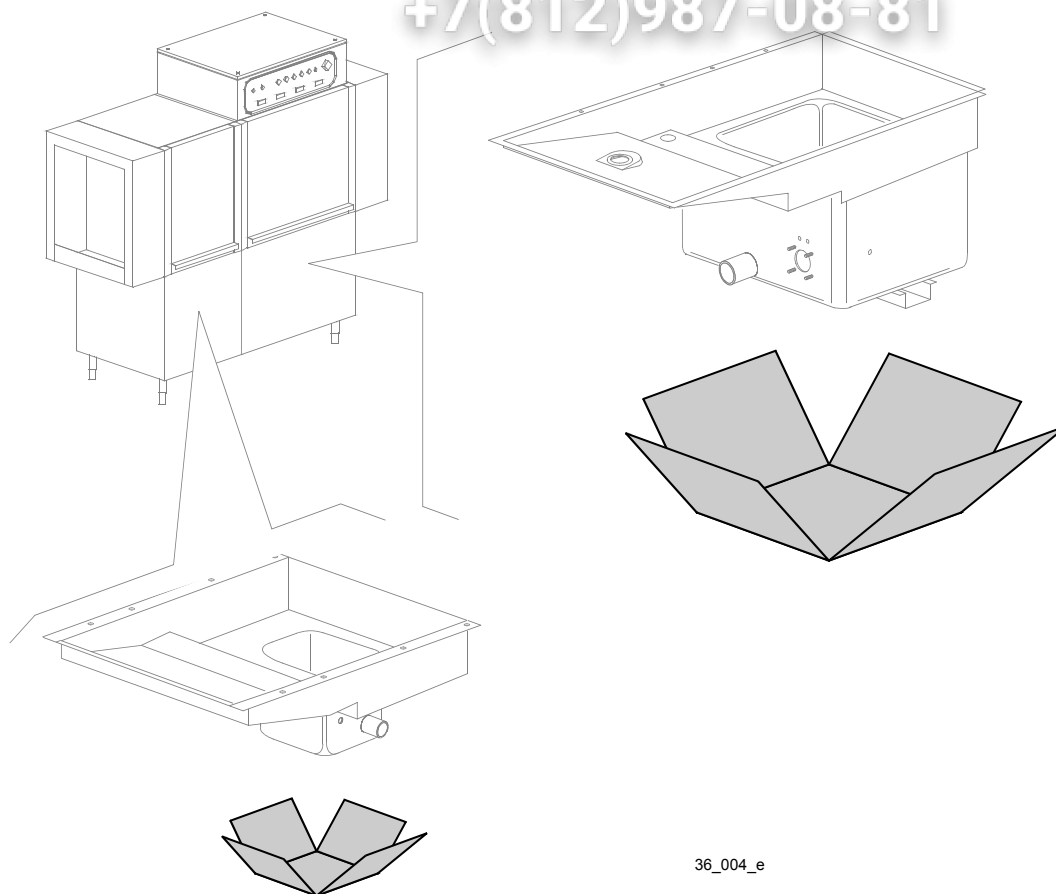
em=ELECTROMECHANICAL SWITCHES, e=ELECTRONICAL SWITCHES, uw=LOWER AND UPPER WASHER
24=24

hr=HEAT RECOVERY - TR98, hp=HEAT PUMP - TR99, sc9=STEAM CONDENSER - LC 91, csa=CONVEYOR SPEED
ADJUSTING - LC 101, 972=90°MOTORIZED CHAIN CONVEYOR - LC 97/2, 973=180°MOTORIZED CHAIN CON-
VEYOR - LC 97/3, 974=DRYER WITH 90° MOTORIZED CHAIN CONVEYOR - LC 97/4, 975=DRYER WITH 180° MO-
TORIZED CHAIN CONVEYOR - LC 97/5, d9=DRYER - LC 90, d92=DRYER - LC 90/2, d929=DRYER - LC 90/900,
cw=ADDITIONAL BOILER FOR COLD WATER SUPPLY, dvgw=DVGW VALVE SYSTEM, des=DETERGENT ECON-
OMIZER SYSTEM, szc9=SPLASH ZONE WITH CILINDER - LC 94, ti=TANK INSULATION, ds=DOUBLE SKIN,
bp=BOOSTER PUMP, sdn3=DISPENSER SYSTEM SDN-3, 98=ANGLE LOADING TABLE - LC 98

A=3/N/PE~380-400V 50-60Hz, D=3/PE~200-210V 50-60Hz, F=2/PE~220-240V 50-60Hz, G=3/N/PE~415V 50-60Hz,
H=3/PE~220-230V 50-60Hz, K=3/PE~380-400V 50-60Hz, L=3/PE~415V 50-60Hz, M=3/PE~440V 60Hz, P=1/N/PE~220-
230V 50-60Hz, R=2/PE~220-240V 50-60Hz, U=1/N/PE~240V 50-60Hz, V=3/PE~240V 50-60Hz, W=1/N/PE~100-110V
50-60Hz

vsezip.ru

+7(812)987-08-81



36_004_e

vsezip.ru

| ID | P-code | SN from | SN to | Mod. | Acces. | Volt | Description |
|---------------------------------|-----------|---------|-------|---------|--------|------|--|
| Module: Tanks insulation | | | | | | | |
| 999 | 999910208 | | - | em,e,uw | ti | | Tanks insulation N.B.: kit suppliable only togeter with the machine, not after |

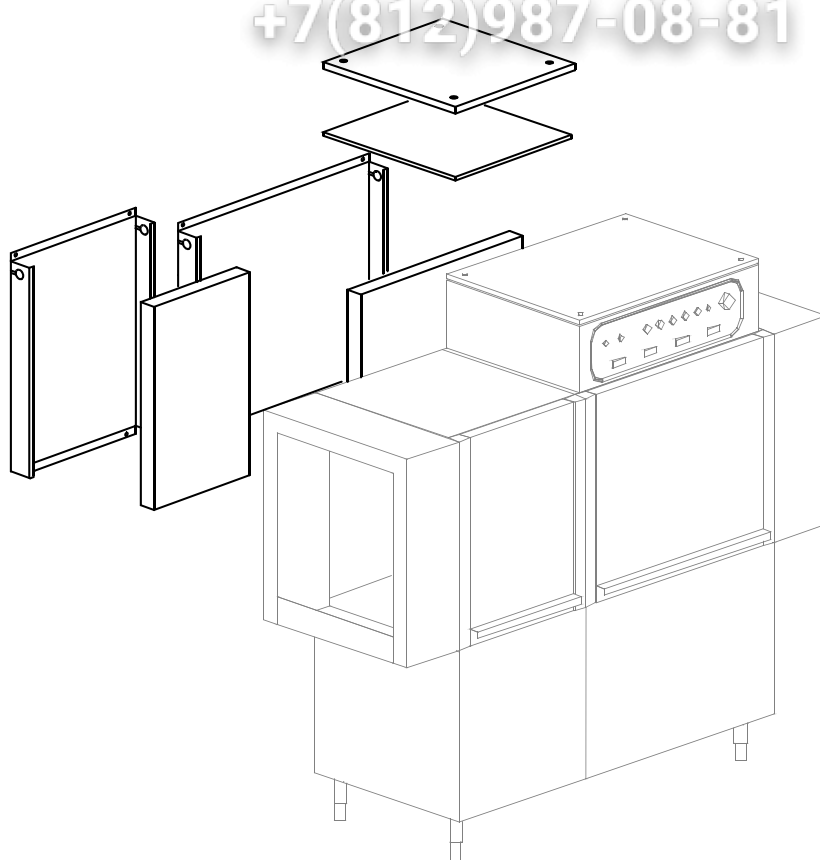
em=ELECTROMECHANICAL SWITCHES, e=ELECTRONICAL SWITCHES, uw=LOWER AND UPPER WASHER
24=24

hr=HEAT RECOVERY - TR98, hp=HEAT PUMP - TR99, sc9=STEAM CONDENSER - LC 91, csa=CONVEYOR SPEED
ADJUSTING - LC 101, 972=90°MOTORIZED CHAIN CONVEYOR - LC 97/2, 973=180°MOTORIZED CHAIN CON-
VEYOR - LC 97/3, 974=DRYER WITH 90° MOTORIZED CHAIN CONVEYOR - LC 97/4, 975=DRYER WITH 180° MO-
TORIZED CHAIN CONVEYOR - LC 97/5, d9=DRYER - LC 90, d92=DRYER - LC 90/2, d929=DRYER - LC 90/900,
cw=ADDITIONAL BOILER FOR COLD WATER SUPPLY, dvgw=DVGW VALVE SYSTEM, des=DETERGENT ECON-
OMIZER SYSTEM, szc9=SPLASH ZONE WITH CILINDER - LC 94, ti=TANK INSULATION, ds=DOUBLE SKIN,
bp=BOOSTER PUMP, sdn3=DISPENSER SYSTEM SDN-3, 98=ANGLE LOADING TABLE - LC 98

A=3/N/PE~380-400V 50-60Hz, D=3/PE~200-210V 50-60Hz, F=2/PE~220-240V 50-60Hz, G=3/N/PE~415V 50-60Hz,
H=3/PE~220-230V 50-60Hz, K=3/PE~380-400V 50-60Hz, L=3/PE~415V 50-60Hz, M=3/PE~440V 60Hz, P=1/N/PE~220-
230V 50-60Hz, R=2/PE~220-240V 50-60Hz, U=1/N/PE~240V 50-60Hz, V=3/PE~240V 50-60Hz, W=1/N/PE~100-110V
50-60Hz

vsezip.ru

+7(812)987-08-81



37_004_e

vsezip.ru

| ID | P-code | SN from | SN to | Mod | Acces. | Volt | Description |
|----------------------------|-----------|---------|-------|---------|--------|------|---|
| Module: Double skin | | | | | | | |
| 999 | 999910201 | | - | em,e,uw | ds | | Double skin assembly N.B.: kit suppliable only together with the machine, not after |

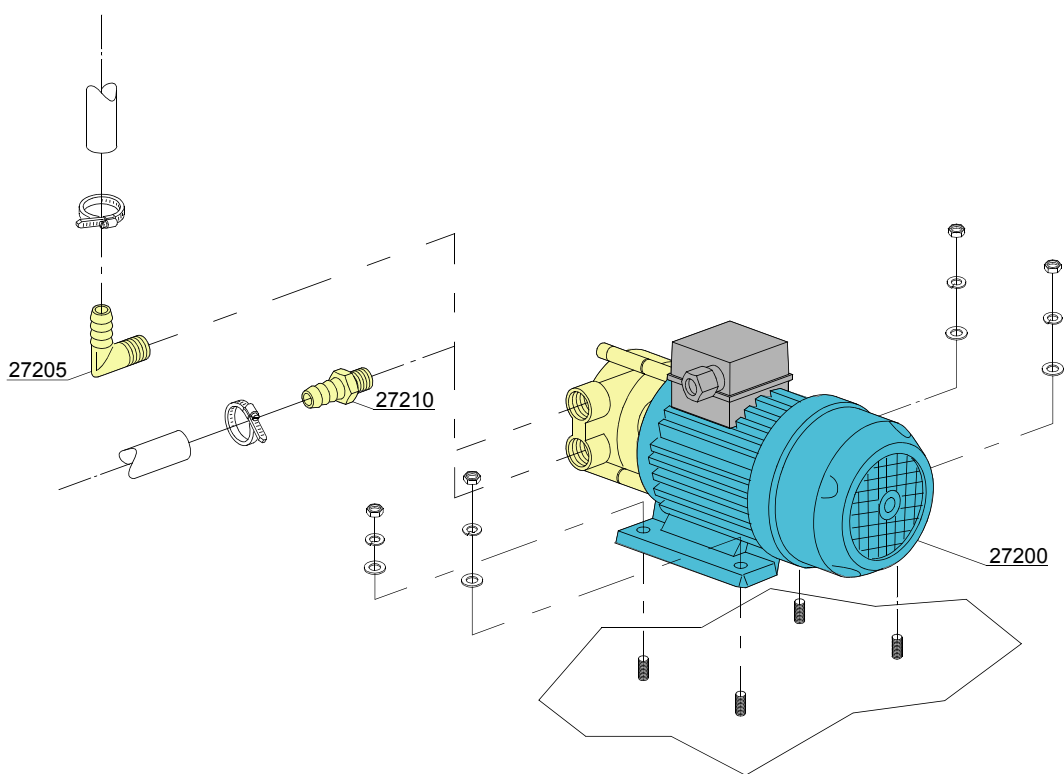
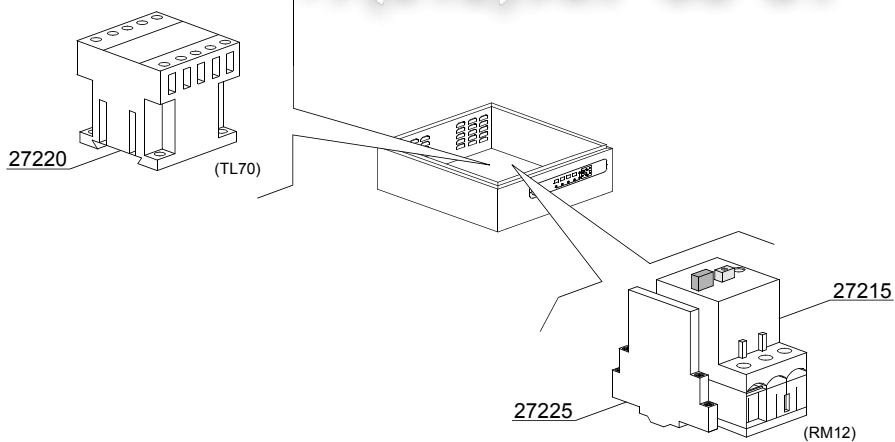
em=ELECTROMECHANICAL SWITCHES, e=ELECTRONICAL SWITCHES, uw=LOWER AND UPPER WASHER
24=24

hr=HEAT RECOVERY - TR98, hp=HEAT PUMP - TR99, sc9=STEAM CONDENSER - LC 91, csa=CONVEYOR SPEED
ADJUSTING - LC 101, 972=90°MOTORIZED CHAIN CONVEYOR - LC 97/2, 973=180°MOTORIZED CHAIN CON-
VEYOR - LC 97/3, 974=DRYER WITH 90° MOTORIZED CHAIN CONVEYOR - LC 97/4, 975=DRYER WITH 180° MO-
TORIZED CHAIN CONVEYOR - LC 97/5, d9=DRYER - LC 90, d92=DRYER - LC 90/2, d929=DRYER - LC 90/900,
cw=ADDITIONAL BOILER FOR COLD WATER SUPPLY, dvgw=DVGW VALVE SYSTEM, des=DETERGENT ECON-
OMIZER SYSTEM, szc9=SPLASH ZONE WITH CILINDER - LC 94, ti=TANK INSULATION, ds=DOUBLE SKIN,
bp=BOOSTER PUMP, sdn3=DISPENSER SYSTEM SDN-3, 98=ANGLE LOADING TABLE - LC 98

A=3/N/PE~380-400V 50-60Hz, D=3/PE~200-210V 50-60Hz, F=2/PE~220-240V 50-60Hz, G=3/N/PE~415V 50-60Hz,
H=3/PE~220-230V 50-60Hz, K=3/PE~380-400V 50-60Hz, L=3/PE~415V 50-60Hz, M=3/PE~440V 60Hz, P=1/N/PE~220-
230V 50-60Hz, R=2/PE~220-240V 50-60Hz, U=1/N/PE~240V 50-60Hz, V=3/PE~240V 50-60Hz, W=1/N/PE~100-110V
50-60Hz

vsezip.ru

+7(812)987-08-81



38_001_e

vsezip.ru

| ID | P-code | SN from | SN to | Mod | Acces. | Volt | Description |
|----------------------------|----------|---------|-------|-----|--------|------|-------------------------|
| Module:Booster pump | | | | | | | |
| 27200 | 15100 | | - | | bp | | Booster pump |
| 27205 | 12030 | | - | | bp | | Elbow pipe fitting |
| 27210 | 10221311 | | - | | bp | | Pipe fitting |
| 27215 | 2000394 | | - | | bp | | Motorprotector 2,5-4A |
| 27220 | 2000370 | | - | | bp | | Contacto MC9 |
| 27225 | 3006080 | | - | | bp | | Auxiliary contact LMS25 |

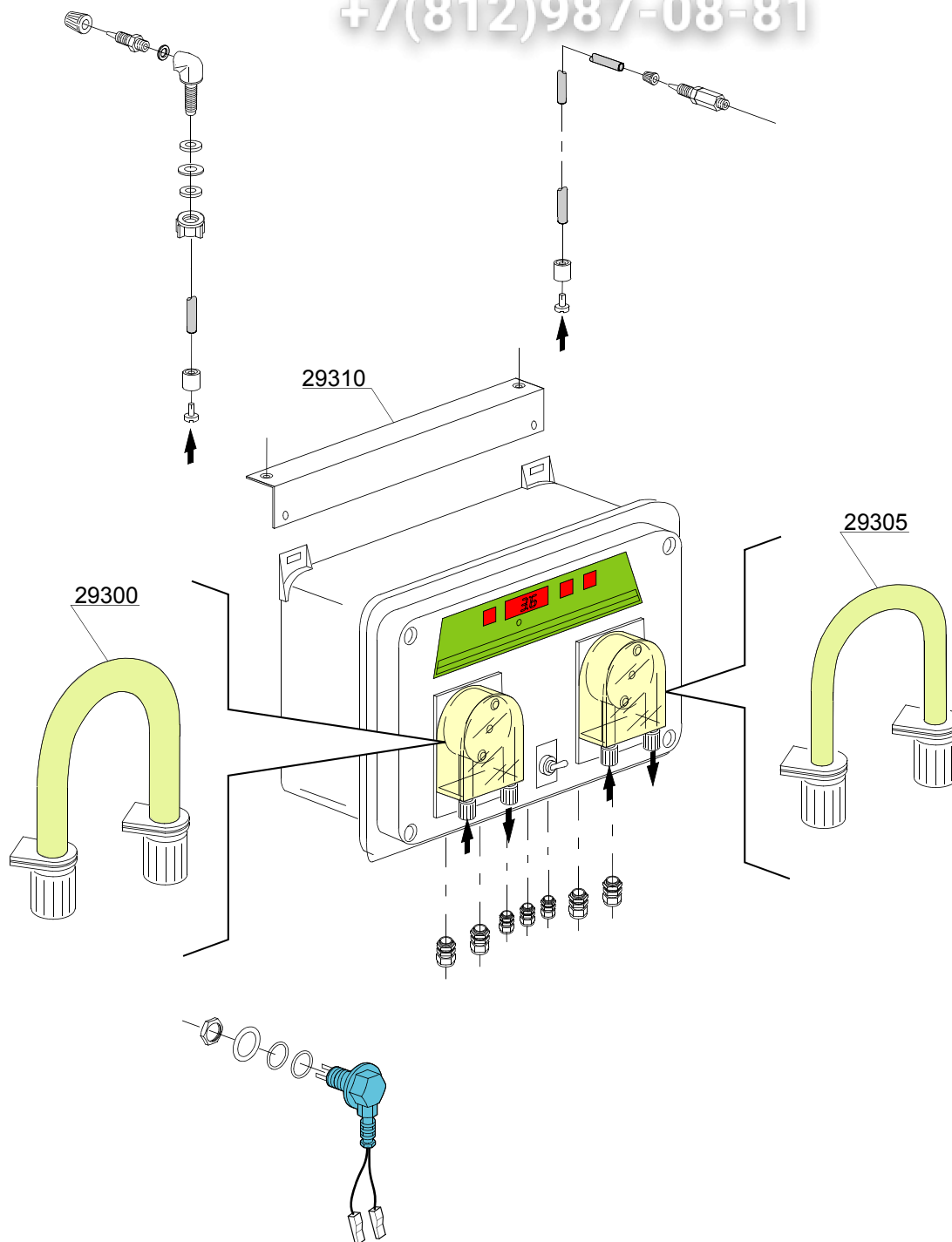
em=ELECTROMECHANICAL SWITCHES, e=ELECTRONICAL SWITCHES, uw=LOWER AND UPPER WASHER
24=24

hr=HEAT RECOVERY - TR98, hp=HEAT PUMP - TR99, sc9=STEAM CONDENSER - LC 91, csa=CONVEYOR SPEED
ADJUSTING - LC 101, 972=90°MOTORIZED CHAIN CONVEYOR - LC 97/2, 973=180°MOTORIZED CHAIN CON-
VEYOR - LC 97/3, 974=DRYER WITH 90° MOTORIZED CHAIN CONVEYOR - LC 97/4, 975=DRYER WITH 180° MO-
TORIZED CHAIN CONVEYOR - LC 97/5, d9=DRYER - LC 90, d92=DRYER - LC 90/2, d929=DRYER - LC 90/900,
cw=ADDITIONAL BOILER FOR COLD WATER SUPPLY, dvgw=DVGW VALVE SYSTEM, des=DETERGENT ECON-
OMIZER SYSTEM, szc9=SPLASH ZONE WITH CILINDER - LC 94, ti=TANK INSULATION, ds=DOUBLE SKIN,
bp=BOOSTER PUMP, sdn3=DISPENSER SYSTEM SDN-3, 98=ANGLE LOADING TABLE - LC 98

A=3/N/PE~380-400V 50-60Hz, D=3/PE~200-210V 50-60Hz, F=2/PE~220-240V 50-60Hz, G=3/N/PE~415V 50-60Hz,
H=3/PE~220-230V 50-60Hz, K=3/PE~380-400V 50-60Hz, L=3/PE~415V 50-60Hz, M=3/PE~440V 60Hz, P=1/N/PE~220-
230V 50-60Hz, R=2/PE~220-240V 50-60Hz, U=1/N/PE~240V 50-60Hz, V=3/PE~240V 50-60Hz, W=1/N/PE~100-110V
50-60Hz

vsezip.ru

+7(812)987-08-81



39_001_e

vsezip.ru

| ID | P-code | SN from | SN to | Mod. | Acces. | Volt | Description |
|---------------------------------|---------|---------|-------|------|--------|------|--------------------------------------|
| Module: Dispensers SDN-3 | | | | | | | |
| | 15181/A | | - | | sdn3 | | Dispensers assembly SDN-3 |
| 29300 | 15185 | | - | | sdn3 | | Pipe fitting for detergent dispenser |
| 29305 | 15186 | | - | | sdn3 | | Pipe fitting for rinse dispenser |
| 29310 | 3009669 | | - | | sdn3 | | Dispensers assembly SDN-3 support |

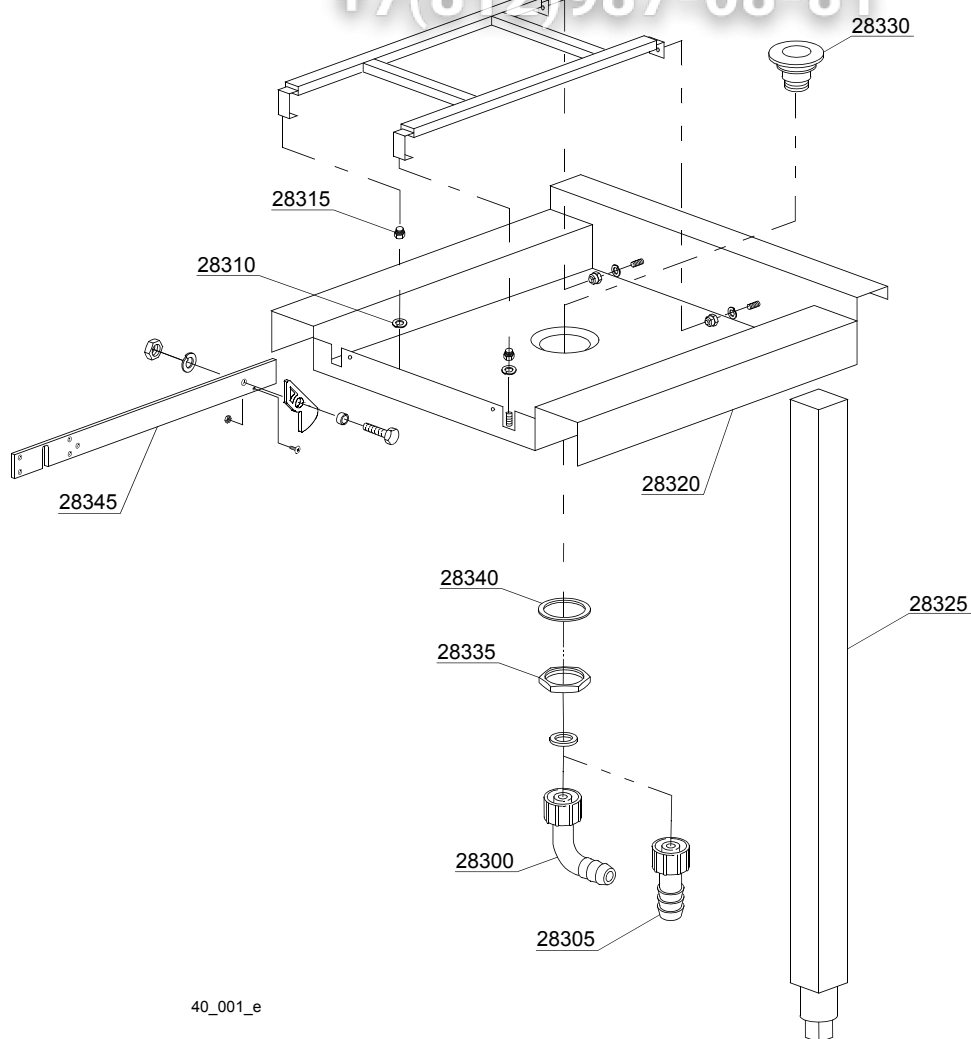
em=ELECTROMECHANICAL SWITCHES, e=ELECTRONICAL SWITCHES, uw=LOWER AND UPPER WASHER
24=24

hr=HEAT RECOVERY - TR98, hp=HEAT PUMP - TR99, sc9=STEAM CONDENSER - LC 91, csa=CONVEYOR SPEED ADJUSTING - LC 101, 972=90°MOTORIZED CHAIN CONVEYOR - LC 97/2, 973=180°MOTORIZED CHAIN CONVEYOR - LC 97/3, 974=DRYER WITH 90° MOTORIZED CHAIN CONVEYOR - LC 97/4, 975=DRYER WITH 180° MOTORIZED CHAIN CONVEYOR - LC 97/5, d9=DRYER - LC 90, d92=DRYER - LC 90/2, d929=DRYER - LC 90/900, cw=ADDITIONAL BOILER FOR COLD WATER SUPPLY, dvgw=DVGW VALVE SYSTEM, des=DETERGENT ECONOMIZER SYSTEM, szc9=SPLASH ZONE WITH CILINDER - LC 94, ti=TANK INSULATION, ds=DOUBLE SKIN, bp=BOOSTER PUMP, sdn3=DISPENSER SYSTEM SDN-3, 98=ANGLE LOADING TABLE - LC 98

A=3/N/PE~380-400V 50-60Hz, D=3/PE~200-210V 50-60Hz, F=2/PE~220-240V 50-60Hz, G=3/N/PE~415V 50-60Hz, H=3/PE~220-230V 50-60Hz, K=3/PE~380-400V 50-60Hz, L=3/PE~415V 50-60Hz, M=3/PE~440V 60Hz, P=1/N/PE~220-230V 50-60Hz, R=2/PE~220-240V 50-60Hz, U=1/N/PE~240V 50-60Hz, V=3/PE~240V 50-60Hz, W=1/N/PE~100-110V 50-60Hz

vsezip.ru

+7(812)987-08-81



40_001_e

| ID | P-code | SN from | SN to | Mod. | Acces. | Volt | Description |
|--|----------|---------|-------|------|--------|------|-------------------------------|
| Module: Angle loading table 90° - LC 98 | | | | | | | |
| 28300 | 15613 | | - | | | | 1" 1/4x30 nylon elbow |
| 28305 | 15613/A | | - | | | | Fitting exauster |
| 28310 | 3003024 | | - | | | | Washer |
| 28315 | 3003025 | | - | | | | Bush |
| 28320 | 3009250 | | - | | | | Platform |
| 28325 | 3009608 | | - | | | | Leg assembly |
| 28330 | 10200113 | | - | | | | Floor drain |
| 28335 | 10200114 | | - | | | | Floor drain nut |
| 28340 | 10200173 | | - | | | | Gasket 75x58x2 |
| 28345 | 3003071 | | - | | | | Clip support arm (LC98 table) |

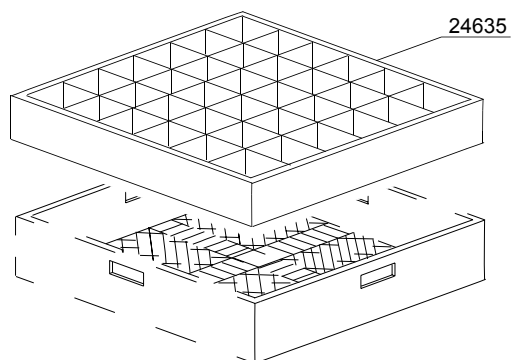
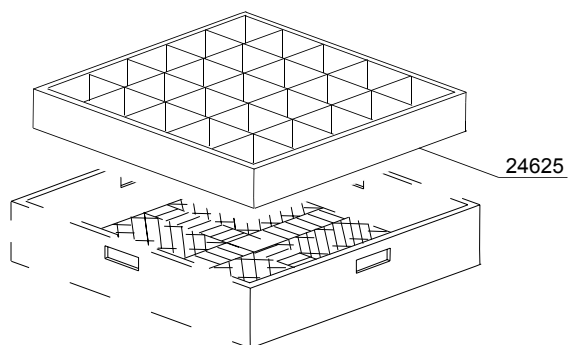
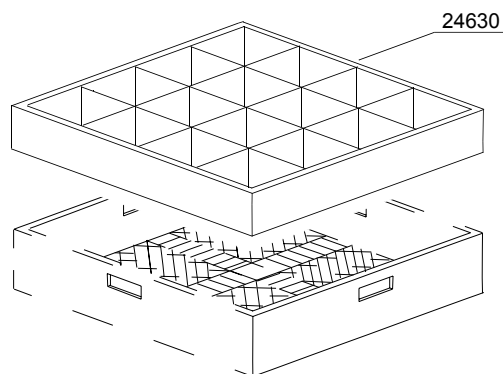
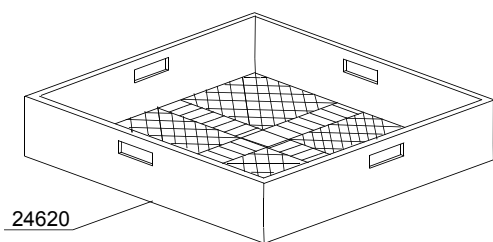
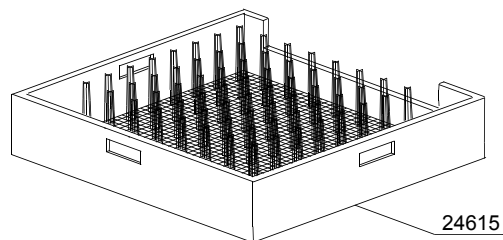
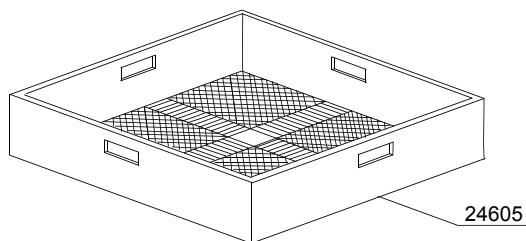
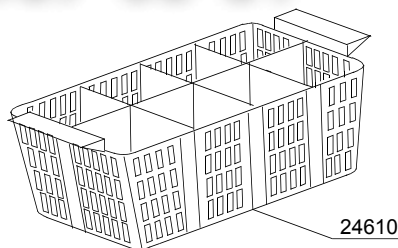
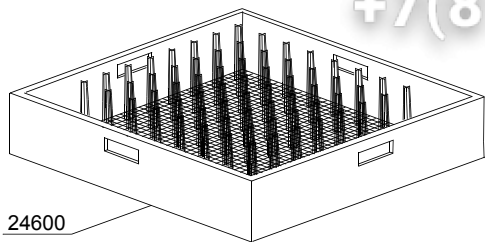
em=ELECTROMECHANICAL SWITCHES, e=ELECTRONICAL SWITCHES, uw=LOWER AND UPPER WASHER
24=24

hr=HEAT RECOVERY - TR98, hp=HEAT PUMP - TR99, sc9=STEAM CONDENSER - LC 91, csa=CONVEYOR SPEED
ADJUSTING - LC 101, 972=90°MOTORIZED CHAIN CONVEYOR - LC 97/2, 973=180°MOTORIZED CHAIN CON-
VEYOR - LC 97/3, 974=DRYER WITH 90° MOTORIZED CHAIN CONVEYOR - LC 97/4, 975=DRYER WITH 180° MO-
TORIZED CHAIN CONVEYOR - LC 97/5, d9=DRYER - LC 90, d92=DRYER - LC 90/2, d929=DRYER - LC 90/900,
cw=ADDITIONAL BOILER FOR COLD WATER SUPPLY, dvgw=DVGW VALVE SYSTEM, des=DETERGENT ECON-
OMIZER SYSTEM, szc9=SPLASH ZONE WITH CILINDER - LC 94, ti=TANK INSULATION, ds=DOUBLE SKIN,
bp=BOOSTER PUMP, sdn3=DISPENSER SYSTEM SDN-3, 98=ANGLE LOADING TABLE - LC 98

A=3/N/PE~380-400V 50-60Hz, D=3/PE~200-210V 50-60Hz, F=2/PE~220-240V 50-60Hz, G=3/N/PE~415V 50-60Hz,
H=3/PE~220-230V 50-60Hz, K=3/PE~380-400V 50-60Hz, L=3/PE~415V 50-60Hz, M=3/PE~440V 60Hz, P=1/N/PE~220-
230V 50-60Hz, R=2/PE~220-240V 50-60Hz, U=1/N/PE~240V 50-60Hz, V=3/PE~240V 50-60Hz, W=1/N/PE~100-110V
50-60Hz

vsezip.ru

+7(812)987-08-81



00_001_e

vsezip.ru

| ID | P-code | SN from | SN to | Mod. | Acces. | Volt | Description |
|-----------------------|--------|---------|-------|------|--------|------|--|
| Module:Baskets | | | | | | | |
| 24600 | C40 | | - | | | | Place conveyor basket |
| 24605 | C41 | | - | | | | Tight mesh conveyor basket for cutlery |
| 24610 | C47 | | - | | | | Small 8 place cutlery basket |
| 24615 | C43 | | - | | | | 535mm tray conveyor basket |
| 24620 | C44 | | - | | | | Mod.07 universal conveyor basket |
| 24625 | C112 | | - | | | | 5x5 vertical glass conveyor basket |
| 24630 | C113 | | - | | | | 4x4 vertical glass conveyor basket |
| 24635 | C114 | | - | | | | 6x6 vertical glass conveyor basket |

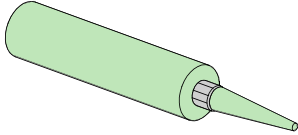
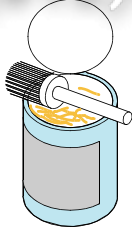
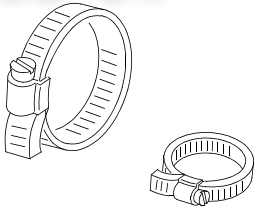
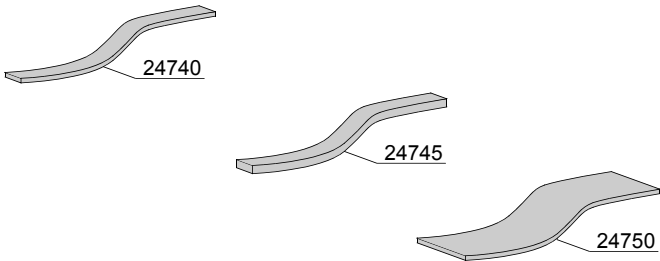
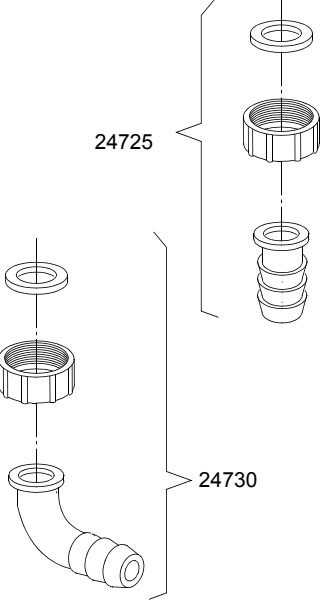
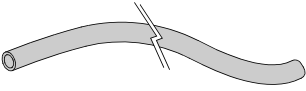
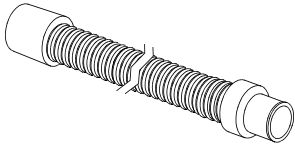
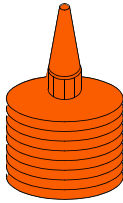
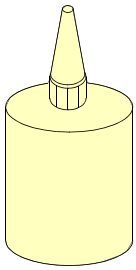
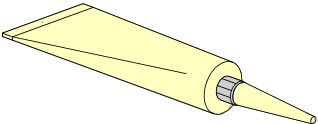
em=ELECTROMECHANICAL SWITCHES, e=ELECTRONICAL SWITCHES, uw=LOWER AND UPPER WASHER
24=24

hr=HEAT RECOVERY - TR98, hp=HEAT PUMP - TR99, sc9=STEAM CONDENSER - LC 91, csa=CONVEYOR SPEED ADJUSTING - LC 101, 972=90°MOTORIZED CHAIN CONVEYOR - LC 97/2, 973=180°MOTORIZED CHAIN CONVEYOR - LC 97/3, 974=DRYER WITH 90° MOTORIZED CHAIN CONVEYOR - LC 97/4, 975=DRYER WITH 180° MOTORIZED CHAIN CONVEYOR - LC 97/5, d9=DRYER - LC 90, d92=DRYER - LC 90/2, d929=DRYER - LC 90/900, cw=ADDITIONAL BOILER FOR COLD WATER SUPPLY, dvgw=DVGW VALVE SYSTEM, des=DETERGENT ECONOMIZER SYSTEM, szc9=SPLASH ZONE WITH CILINDER - LC 94, ti=TANK INSULATION, ds=DOUBLE SKIN, bp=BOOSTER PUMP, sdn3=DISPENSER SYSTEM SDN-3, 98=ANGLE LOADING TABLE - LC 98

A=3/N/PE~380-400V 50-60Hz, D=3/PE~200-210V 50-60Hz, F=2/PE~220-240V 50-60Hz, G=3/N/PE~415V 50-60Hz, H=3/PE~220-230V 50-60Hz, K=3/PE~380-400V 50-60Hz, L=3/PE~415V 50-60Hz, M=3/PE~440V 60Hz, P=1/N/PE~220-230V 50-60Hz, R=2/PE~220-240V 50-60Hz, U=1/N/PE~240V 50-60Hz, V=3/PE~240V 50-60Hz, W=1/N/PE~100-110V 50-60Hz

vsezip.ru

+7(812)987-08-81

| | | |
|--|--|--|
|  <p>24700</p> |  <p>24705</p> |  <p>24760</p> |
|  <p>24740</p> <p>24745</p> <p>24750</p> | |  <p>24725</p> <p>24730</p> |
|  <p>24755</p> |  <p>24735</p> | |
|  <p>24765</p> |  <p>24770</p> |  <p>24775</p> |

| ID | P-code | SN from | SN to | Mod. | Acces. | Volt | Description |
|--------------------------|----------|---------|-------|------|--------|------|---|
| Module: Accessory | | | | | | | |
| 24700 | --- | | - | | | | Silicone UNI 9610 - UNI 9611 |
| 24705 | --- | | - | | | | Grease for high temperatures CCIAA 629224 |
| 24705 | --- | | - | | | | Grease for food - Loctite 8104 Cat. N° 26560 |
| 24725 | 15613/A | | - | | | | Fitting exauster |
| 24730 | 15613 | | - | | | | 1" 1/4x30 nylon elbow |
| 24735 | 10727 | | - | | | | Exauster pipe Ø 24mm |
| 24735 | 10200112 | | - | | | | Exauster pipe Ø 32mm |
| 24740 | 15750 | | - | | | | 20x2 self-stick mousse |
| 24745 | 15751 | | - | | | | 20x4 self-stick mousse |
| 24750 | 15752 | | - | | | | 60x2 self-stick mousse |
| 24755 | 2907350 | | - | | | | Flexible pipe EPDM Ø12 |
| 24755 | 2907352 | | - | | | | Flexible pipe EPDM Ø12 - WRAS |
| 24755 | 2907353 | | - | | | | Flexible pipe EPDM Ø12 |
| 24760 | 11807 | | - | | | | Steel hose clamp 15/24 |
| 24760 | 11806 | | - | | | | Steel hose clamp 25/40 |
| 24760 | 11810 | | - | | | | Steel hose clamp 40/60 |
| 24760 | 11824 | | - | | | | Steel hose clamp 50/70 |
| 24760 | 2902491 | | - | | | | Steel hose clamp 60/80 |
| 24765 | --- | | - | | | | -50°C +150°C threads dope |
| 24770 | --- | | - | | | | Loctite 542 Cat.N° 54246 - DIN-DVGW 86.02 e 125 |
| 24770 | --- | | - | | | | Loctite 243 Cat.N° 18937 - 19386 |
| 24775 | --- | | - | | | | Loctite 511 Cat.N° 24003 - DIN-DVGW 86.01 e 125 |
| 24775 | --- | | - | | | | Loctite 577 Cat.N° 25392 |

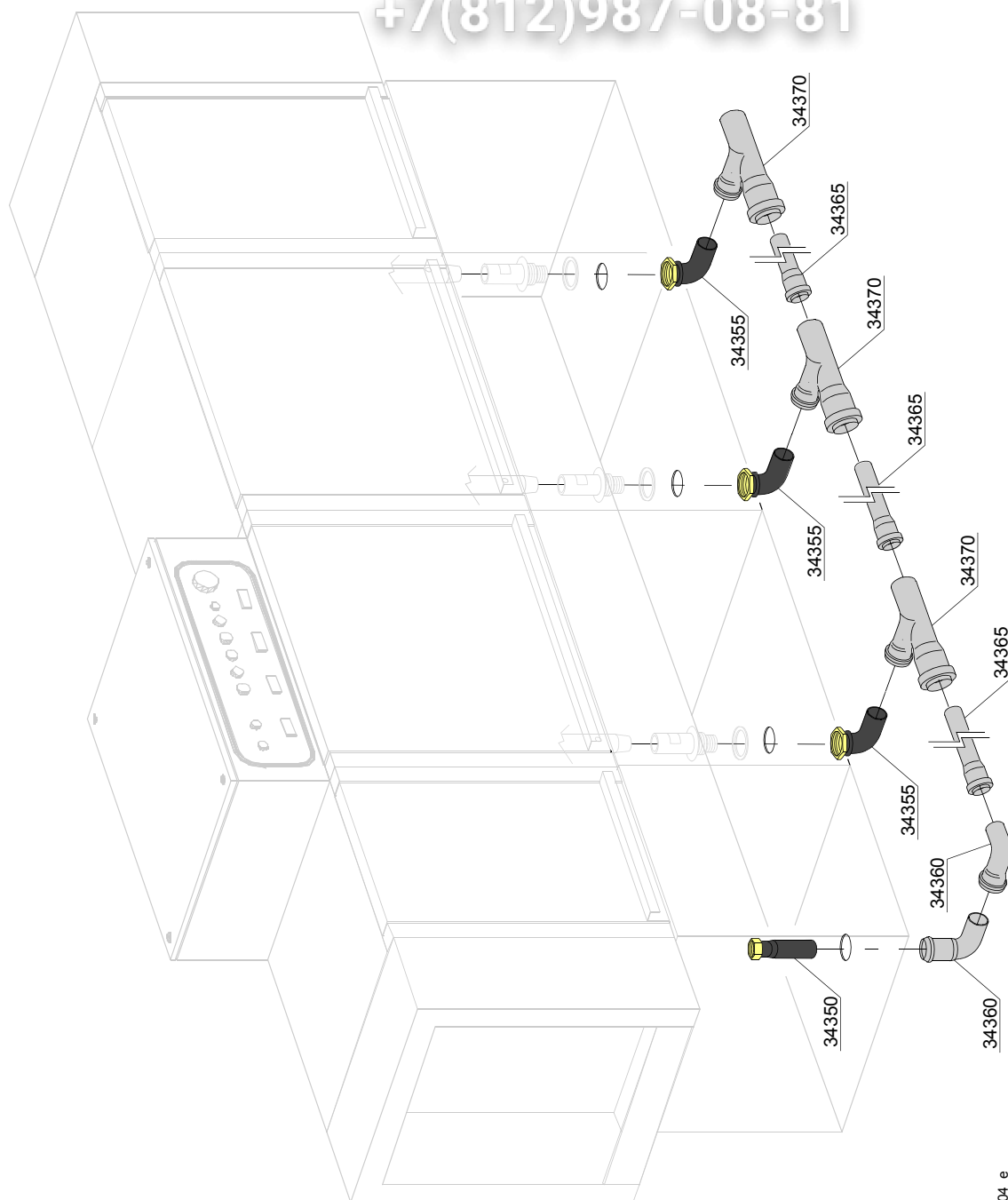
em=ELECTROMECHANICAL SWITCHES, e=ELECTRONICAL SWITCHES, uw=LOWER AND UPPER WASHER
24=24

hr=HEAT RECOVERY - TR98, hp=HEAT PUMP - TR99, sc9=STEAM CONDENSER - LC 91, csa=CONVEYOR SPEED
ADJUSTING - LC 101, 972=90°MOTORIZED CHAIN CONVEYOR - LC 97/2, 973=180°MOTORIZED CHAIN CON-
VEYOR - LC 97/3, 974=DRYER WITH 90° MOTORIZED CHAIN CONVEYOR - LC 97/4, 975=DRYER WITH 180° MO-
TORIZED CHAIN CONVEYOR - LC 97/5, d9=DRYER - LC 90, d92=DRYER - LC 90/2, d929=DRYER - LC 90/900,
cw=ADDITIONAL BOILER FOR COLD WATER SUPPLY, dvgw=DVGW VALVE SYSTEM, des=DETERGENT ECON-
OMIZER SYSTEM, szc9=SPLASH ZONE WITH CILINDER - LC 94, ti=TANK INSULATION, ds=DOUBLE SKIN,
bp=BOOSTER PUMP, sdn3=DISPENSER SYSTEM SDN-3, 98=ANGLE LOADING TABLE - LC 98

A=3/N/PE~380-400V 50-60Hz, D=3/PE~200-210V 50-60Hz, F=2/PE~220-240V 50-60Hz, G=3/N/PE~415V 50-60Hz,
H=3/PE~220-230V 50-60Hz, K=3/PE~380-400V 50-60Hz, L=3/PE~415V 50-60Hz, M=3/PE~440V 60Hz, P=1/N/PE~220-
230V 50-60Hz, R=2/PE~220-240V 50-60Hz, U=1/N/PE~240V 50-60Hz, V=3/PE~240V 50-60Hz, W=1/N/PE~100-110V
50-60Hz

vsezip.ru

+7(812)987-08-81



00_004_e

vsezip.ru

| ID | P-code | SN from | SN to | Mod. | Acces. | Volt | Description |
|--|---------|---------|-------|------|--------|------|---|
| Module: Centralized drainage components | | | | | | | |
| 34350 | 3060173 | | - | | | | Straight pipe+brass nut dia Ø40 x 1/1"4 |
| 34355 | 3060174 | | - | | | | Bend pipe + brass nut dia Ø40 x 1"1/4 |
| 34360 | 3060248 | | - | | | | 90° P.P Curve HTB Ø40 |
| 34365 | 3060172 | | - | | | | P.P Tube HTDM 40/2 |
| 34370 | 3060176 | | - | | | | "T" Pipe fitting PP-FF-M Ø40 |

em=ELECTROMECHANICAL SWITCHES, e=ELECTRONICAL SWITCHES, uw=LOWER AND UPPER WASHER
24=24

hr=HEAT RECOVERY - TR98, hp=HEAT PUMP - TR99, sc9=STEAM CONDENSER - LC 91, csa=CONVEYOR SPEED ADJUSTING - LC 101, 972=90°MOTORIZED CHAIN CONVEYOR - LC 97/2, 973=180°MOTORIZED CHAIN CONVEYOR - LC 97/3, 974=DRYER WITH 90° MOTORIZED CHAIN CONVEYOR - LC 97/4, 975=DRYER WITH 180° MOTORIZED CHAIN CONVEYOR - LC 97/5, d9=DRYER - LC 90, d92=DRYER - LC 90/2, d929=DRYER - LC 90/900, cw=ADDITIONAL BOILER FOR COLD WATER SUPPLY, dvgw=DVGW VALVE SYSTEM, des=DETERGENT ECONOMIZER SYSTEM, szc9=SPLASH ZONE WITH CILINDER - LC 94, ti=TANK INSULATION, ds=DOUBLE SKIN, bp=BOOSTER PUMP, sdn3=DISPENSER SYSTEM SDN-3, 98=ANGLE LOADING TABLE - LC 98
A=3/N/PE~380-400V 50-60Hz, D=3/PE~200-210V 50-60Hz, F=2/PE~220-240V 50-60Hz, G=3/N/PE~415V 50-60Hz, H=3/PE~220-230V 50-60Hz, K=3/PE~380-400V 50-60Hz, L=3/PE~415V 50-60Hz, M=3/PE~440V 60Hz, P=1/N/PE~220-230V 50-60Hz, R=2/PE~220-240V 50-60Hz, U=1/N/PE~240V 50-60Hz, V=3/PE~240V 50-60Hz, W=1/N/PE~100-110V 50-60Hz