

Зип Общепит

vsezip.ru

+7(812)987-08-81

# RACK CONVEYOR MACHINE

ELECTROMECHANICAL SWITCHES

LOWER AND UPPER WASHER

TYPE: 34HS

Accessories

STEAM CONDENSER - LC 81

CONVEYOR SPEED ADJUSTING - LC 101

90°MOTORIZED CHAIN CONVEYOR - LC 97/2

180°MOTORIZED CHAIN CONVEYOR - LC 97/3

DRYER WITH 90° MOTORIZED CHAIN CONVEYOR - LC 97/4

DRYER WITH 180° MOTORIZED CHAIN CONVEYOR - LC 97/5

DRYER - LC 80

ADDITIONAL BOILER FOR COLD WATER SUPPLY

DVGW VALVE SYSTEM

WATER FLOW ADJUSTING

SPLASH ZONE WITH CILINDER - LC 84

SPLASH ZONE - LC 83

TANK INSULATION

DOUBLE SKIN

BOOSTER PUMP

DISPENSER SYSTEM SDN-3

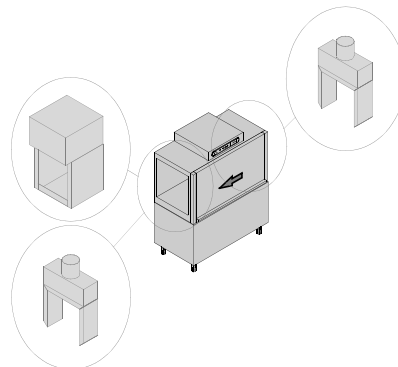
ANGLE LOADING TABLE - LC 98

RINSE ECONOMIZER SYSTEM

---

## Spare parts Manual

---



**INFORMAZIONI GENERALI**

Questo catalogo serve per richiedere con esattezza le parti di ricambio

Nelle ordinazioni indicare:

1) il numero dei codici dei particolari seguito dalla descrizione e la quantità desiderata;

2) Il codice alfa-numerico presente nella seconda colonna della tabella ;

**I disegni delle parti di ricambio sono solo indicativi e non rappresentano il pezzo in oggetto.**

**I dati contenuti in questo catalogo sono indicativi e possono essere soggetti a modifiche senza impegno di preavviso.**

**ALLGEMEINE INFORMATIONEN**

Dieser Ersatzteilkatalog dient zur genauen Angabe der Teile bei Ersatzteilbestellungen.

Bei Ersatzbestellung ist folgendes anzugeben:

1) Die Bestellnummer der Ersatzteile mit der entsprechenden Beschreibung genaue Menge;

2) Der alpha-numerischer Code auf der zweiten Reihe in dein Sculd;

**Die Zeichnungen der Ersatzteile sind nur als Hinweise gedacht und stellen nicht das betroffene Teil dar.**

**Bei den im Katalog angeführten Daten handelt es sich um Anhaltsdaten, die jederzeit, ohne Vorankündigung, geändert werden können.**

**GENERAL INFORMATION**

The present spare parts order exactly the right spare parts

When ordering specify:

1) the part's code number followed by its description and quantity needed;

2) The alpha-numeric code is in the second column in the chart;

**Spare parts drawings are general and do not represent the part.**

**The contents of this catalogue are general and can undergo changes without prior notice.**

**INFORMACIONES GENERALES**

El presente catálogo sirve para pedir con exactitud las partes de repuesto

En los pedidos se debe indicar:

1) el número de código de la parte y a continuación la descripción cantidad deseada;

2) El código alfanumerico presente en la segnada columna de la tabla;

**Los diseños de las partes de recambio son solo indicativos y no representan la pieza en cuestión.**

**Los datos contenidos en el presente catálogo son indicativos y pueden modificarse sin aviso previo.**

**INFORMATIONS GENERALES**

Ce catalogue permet de commander correctement les pièces détachées

Les commandes doivent être passées en indiquant:

1) le numero de code des pièces détachées suivi de leur description quantité désirée;

2) le code alphanumérique dans la deuxième colonne du tableau;

**Les plans des pièces détachées sont fournis seulement à titre indicatif et ne représentent pas la pièce concernée.**

**Les données de ce catalogue sont citées seulement à titre indicatif et peuvent être l'objet de modifications sans avis préalable.**

**ESEMPIO  
EXAMPLE  
EXEMPLE  
BEISPIEL**

Rif.	Codici
MODULE:Particolari	
10505	540903
10510	540908
10515	15065/A
10520	540086
10525	540028

**Note**

Tutte le informazioni riportate si intendono aggiornate alla data di stampa. Il Produttore si riserva il diritto di apportare qualsiasi modifica richiesta dallo sviluppo evolutivo dei suddetti prodotti.

Per la sicurezza, la garanzia, l'affidabilità ed il valore della lavastoviglie usa solo ricambi originali. **Per alcuni codici, sono richieste quantità minime d'ordine.**

**Attenzione**

Questo libretto è parte integrante della lavastoviglie e, in caso di passaggio di proprietà, deve essere consegnato al nuovo acquirente.

**Remarque**

Toutes les informations contenues dans ce manuel s'entendent mises à jour à la date d'impression. En raison du développement constant de ses produits, usine se réserve le droit d'apporter à tout instant les modifications qu'elle jugera utiles.

Pour la sécurité, la garantie, la fiabilité et la valeur de votre lavevaisselles n'utilisez que des pièces de rechange d'origine. **Pour quelque référence on demande un minimum de pièces par commande**

**Attention**

Ce manuel doit être considéré comme partie intégrante de la lavevaisselles, en cas de transfert de propriété, doit toujours être remis au nouveau propriétaire.

**Note**

The information contained herein is valid at the time of going to print. The Company reserves the right to make any changes required by the future development of the above-mentioned products.

For your safety, as well as to preserve the warranty reliability and worth of your dishwashers, use original spare parts only. **For some codes a minimum quantity for order is required.**

**Warning**

This manual forms an integral part of the dishwashers and - if a transfer of title occurs - must always be handed over to the new owner.

**Hinweis**

Die Der Hersteller behält sich das Recht vor, jegliche, durch eine Weiterentwicklung der genannten Produkte bedingte Änderungen vornehmen zu können.

Verwenden Sie für Ihre Sicherheit, die Garantie, die Zuverlässigkeit und den Wert Ihrer machine originale Ersatzteile. **Für bestimmte Code nummer werden mindesten bestellungen verlangt.**

**Achtung**

Diese Betriebsanleitung ist Bestandteile des machine und muss bei seinem Weiterverkauf dem neuen Besitzer ausgehändigt werden.

vsezip.ru  
+7(812)987-08-81

**Code** 999XXYYYY **CL/Part**

**Model DESCRIPTION**

**S/N** 04012345 **Type** .....

400VAC3N 50HZ 8A  
3500W 500W

16A

**200-500**

Pressione Dinamica alimentazione idrica  
Pression dynamique arrivée d'eau  
Dynamic pressure water supply  
Dynamischer Druck gesättigter Dampf

Pressione dinamica vapore saturo  
Pression dynamique vapeur saturée  
Dymanischer Druck gesättigter Dampf  
Pression Dinamica Vapor Saturado

**TECHICAL SPECIFICATION**

**MADE IN ITALY**

Temperatura massima acqua in ingresso **60°C**  
Temperature max eau a l'entre  
Maximale Temperatur Wasseranschluß  
Maximum Water temperature in-feeding

Model

S/N

**CODE 999 XX YYYY**

FAMIGLIA PRODOTTO  
FAMILY PRODUCT  
FAMILLE DU PRODUIT  
FAMILIA PRODUCTO  
FAMILIE DES PRODUKTES

CODICE MODELLO  
CODE MODEL  
CODE ARTICLE  
CODIGO MODELO  
KODE VON MODELL

**S/N 04 012345**

ANNO  
YEAR  
ANNÉE  
AN"O  
JAHR

NUMERO DI SERIE  
SERIAL NUMBER  
NUMÉRO DI SÉRIE  
NUMERO DI SERIE  
SERIENNUMMER

Spare parts

---

**Зип Общепит**

**vsezip.ru**

**+7(812)987-08-81**

vsezip.ru

+7(812)987-08-81

## 1. Spare parts

Control Panel.....	9
Electric parts.....	11
Electric parts.....	13
General parts .....	15
Economizer components .....	17
Curtains group components .....	19
Inverter .....	21
Time relay .....	23
Dryer LC80 (612kW) - part 1 [151]....	25
Dryer LC80 - LC90 (6kW) - part 2....	27
Dryer LC80 (6kW) - electric components...	29
Motorized curve 90° - LC 97/2 .....	31
Dryer motorized curve 90° - LC 97/4 .	33
Motorized curve 90° - LC 97/2: electric parts...	35
Motorized curve 90° - LC 97/2: electric parts single speed - remote control.....	37
Motorized curve 180° - LC 97/3 .....	39

<b>Dryer motorized curve 180° - LC 97/5...</b>	<b>41</b>
<b>Motorized curve 180° - LC 97/3: electric parts...</b>	<b>43</b>
<b>Motorized curve 180° - LC 97/3: electric parts single speed - remote control.....</b>	<b>45</b>
<b>Steam condenser LC81 - TR81 part 1...</b>	<b>47</b>
<b>Steam condenser LC81 / TR81 - part 2...</b>	<b>49</b>
<b>Steam condenser LC81 - part 3.....</b>	<b>51</b>
<b>Additional boiler components .....</b>	<b>53</b>
<b>Additional boiler: electrical components...</b>	<b>55</b>
<b>DVGW valve .....</b>	<b>57</b>
<b>Motorgear components .....</b>	<b>59</b>
<b>Washing components 4+4 .....</b>	<b>61</b>
<b>Internal components .....</b>	<b>63</b>
<b>Rinsing components .....</b>	<b>67</b>
<b>Boiler components .....</b>	<b>69</b>
<b>Solenoid valves components .....</b>	<b>71</b>
<b>Solenoid valves components .....</b>	<b>73</b>
<b>Solenoid valves components with adjusting flow ...</b>	<b>75</b>
<b>Solenoid valves components .....</b>	<b>77</b>
<b>Conveyor parts .....</b>	<b>79</b>

---

<b>Splash zone with cylinder LC84 .....</b>	<b>81</b>
<b>Splash zone LC83 .....</b>	<b>83</b>
<b>Tank insulation .....</b>	<b>85</b>
<b>Double skin .....</b>	<b>87</b>
<b>Booster pump.....</b>	<b>89</b>
<b>Dispensers SDN-3 .....</b>	<b>91</b>
<b>Angle loading table 90° - LC 98 .....</b>	<b>93</b>
<b>Rinse economizer system .....</b>	<b>95</b>
<b>Baskets .....</b>	<b>97</b>
<b>Accessory.....</b>	<b>99</b>

vsezip.ru

+7(812)987-08-81



## 1.1 Voltage codes

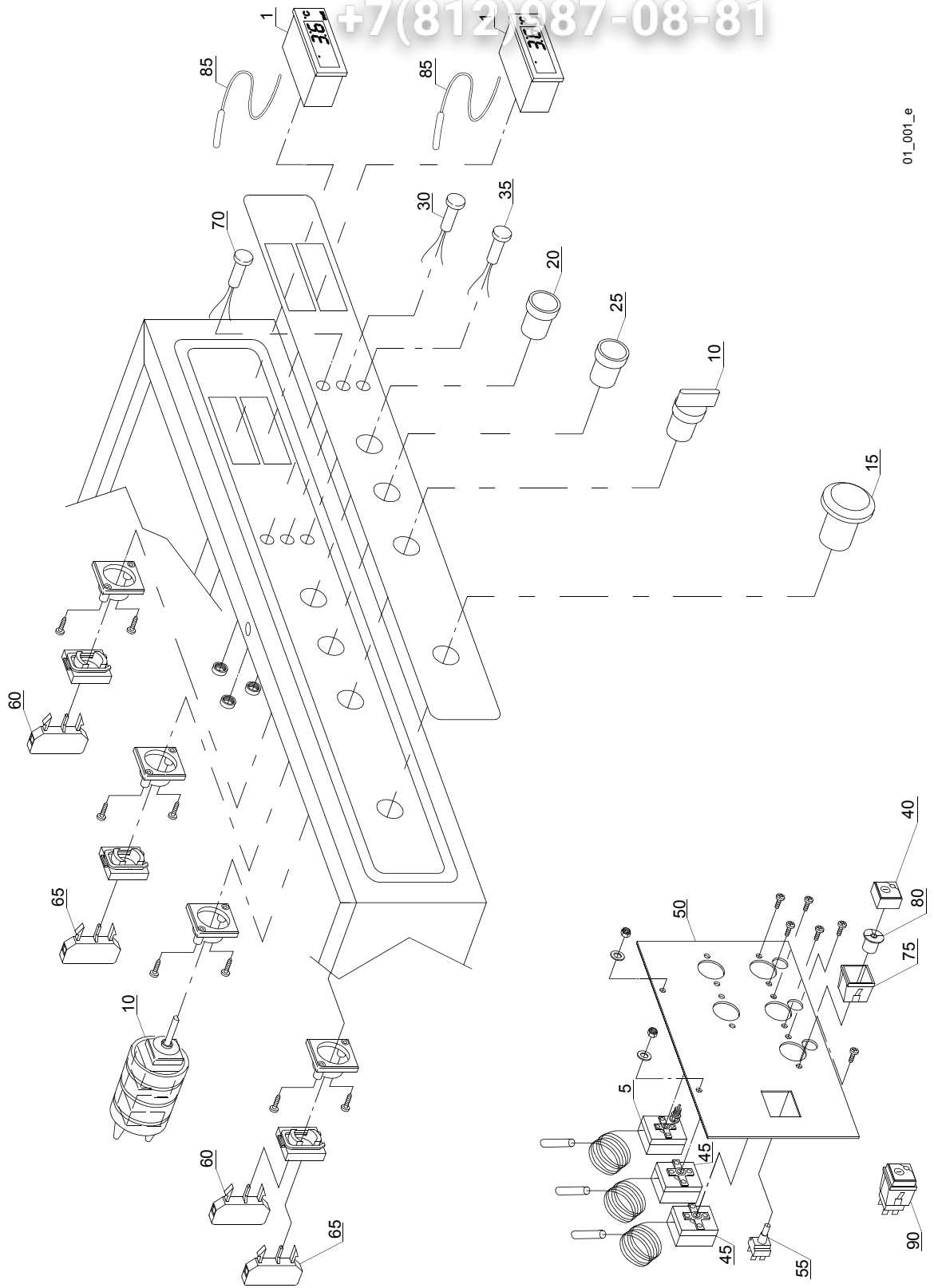
Volt	Voltage code
A	3/N/PE~380-400V 50-60Hz
D	3/PE~200-210V 50-60Hz
F	2/PE~220-240V 50-60Hz
G	3/N/PE~415V 50-60Hz
H	3/PE~220-230V 50-60Hz
K	3/PE~380-400V 50-60Hz
L	3/PE~415V 50-60Hz
M	3/PE~440V 60Hz
P	1/N/PE~220-230V 50-60Hz
R	2/PE~220-240V 50-60Hz
U	1/N/PE~240V 50-60Hz
V	3/PE~240V 50-60Hz
W	1/N/PE~100-110V 50-60Hz

## 1.2 Product codes

Product code	Full name
Model codes	
em	ELECTROMECHANICAL SWITCHES
uw	LOWER AND UPPER WASHER
Type codes	
34HS	34HS
Accessory codes	
sc8	STEAM CONDENSER - LC 81
csa	CONVEYOR SPEED ADJUSTING - LC 101
972	90°MOTORIZED CHAIN CONVEYOR - LC 97/2
973	180°MOTORIZED CHAIN CONVEYOR - LC 97/3
974	DRYER WITH 90° MOTORIZED CHAIN CONVEYOR - LC 97/4
975	DRYER WITH 180° MOTORIZED CHAIN CONVEYOR - LC 97/5
d8	DRYER - LC 80
cw	ADDITIONAL BOILER FOR COLD WATER SUPPLY
dvgw	DVGW VALVE SYSTEM
wfa	WATER FLOW ADJUSTING
szc8	SPLASH ZONE WITH CILINDER - LC 84
sz8	SPLASH ZONE - LC 83
ti	TANK INSULATION
ds	DOUBLE SKIN
bp	BOOSTER PUMP
sdn3	DISPENSER SYSTEM SDN-3
98	ANGLE LOADING TABLE - LC 98
res	RINSE ECONOMIZER SYSTEM

vsezip.ru

+7(812)987-08-81



01\_001\_e

vsezip.ru

ID	P-code	SN from	SN to	Mod	Acces.	Volt	Description
<b>Module: Control Panel [151,160,210,220,230,240, BX 230, BX 280]</b>							
1	2000402		-	em,uw			Thermometer
5	2000430		-	em,uw			Safety thermostat
10	3002031		-	em,uw			Selector with knob
15	3002050		-	em,uw			Emergency button
20	3002053		-	em,uw			Push button green
25	3002055		-	em,uw			Button red
30	3002065		-	em,uw			Signal light red
35	3002067		-	em,uw			Signal light yellow
40	15874		-	em,uw			Green main switch
45	10707/1		-	em,uw			Thermostat 0 - 90° (TB2)
50	3009114		-	em,uw			Assembly plate
55	15812		-	em,uw			Starter electric component
60	3002054		-	em,uw			Green contact piece (NO)
65	3002056		-	em,uw			Red contact piece (NC)
70	3002066		-	em,uw			Signal light green
75	15815		-	em,uw			Support square single
80	15824		-	em,uw			Green-orange cam
85	2000401		-	em,uw			Thermometer probe
90	15849		-	em,uw			Switch assembly (PM2)

em=ELECTROMECHANICAL SWITCHES, uw=LOWER AND UPPER WASHER

34HS=34HS

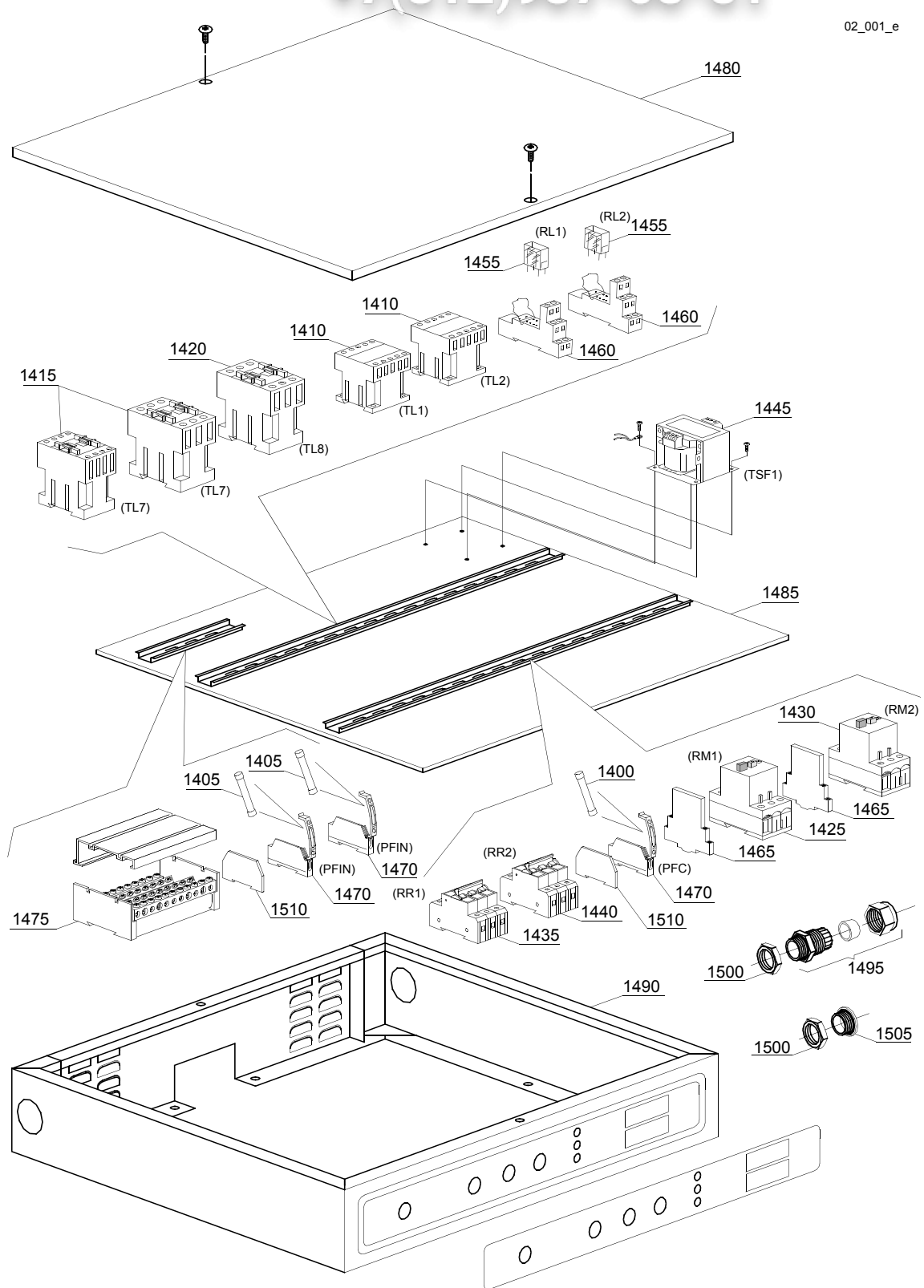
sc8=STEAM CONDENSER - LC 81, csa=CONVEYOR SPEED ADJUSTING - LC 101, 972=90°MOTORIZED CHAIN CONVEYOR - LC 97/2, 973=180°MOTORIZED CHAIN CONVEYOR - LC 97/3, 974=DRYER WITH 90° MOTORIZED CHAIN CONVEYOR - LC 97/4, 975=DRYER WITH 180° MOTORIZED CHAIN CONVEYOR - LC 97/5, d8=DRYER - LC 80, cw=ADDITIONAL BOILER FOR COLD WATER SUPPLY, dvgw=DVGW VALVE SYSTEM, wfa=WATER FLOW ADJUSTING, szc8=SPLASH ZONE WITH CILINDER - LC 84, sz8=SPLASH ZONE - LC 83, ti=TANK INSULATION, ds=DOUBLE SKIN, bp=BOOSTER PUMP, sdn3=DISPENSER SYSTEM SDN-3, 98=ANGLE LOADING TABLE - LC 98, res=RINSE ECONOMIZER SYSTEM

A=3/N/PE~380-400V 50-60Hz, D=3/PE~200-210V 50-60Hz, F=2/PE~220-240V 50-60Hz, G=3/N/PE~415V 50-60Hz, H=3/PE~220-230V 50-60Hz, K=3/PE~380-400V 50-60Hz, L=3/PE~415V 50-60Hz, M=3/PE~440V 60Hz, P=1/N/PE~220-230V 50-60Hz, R=2/PE~220-240V 50-60Hz, U=1/N/PE~240V 50-60Hz, V=3/PE~240V 50-60Hz, W=1/N/PE~100-110V 50-60Hz

vsezip.ru

+7(812)987-08-81

02\_001\_e



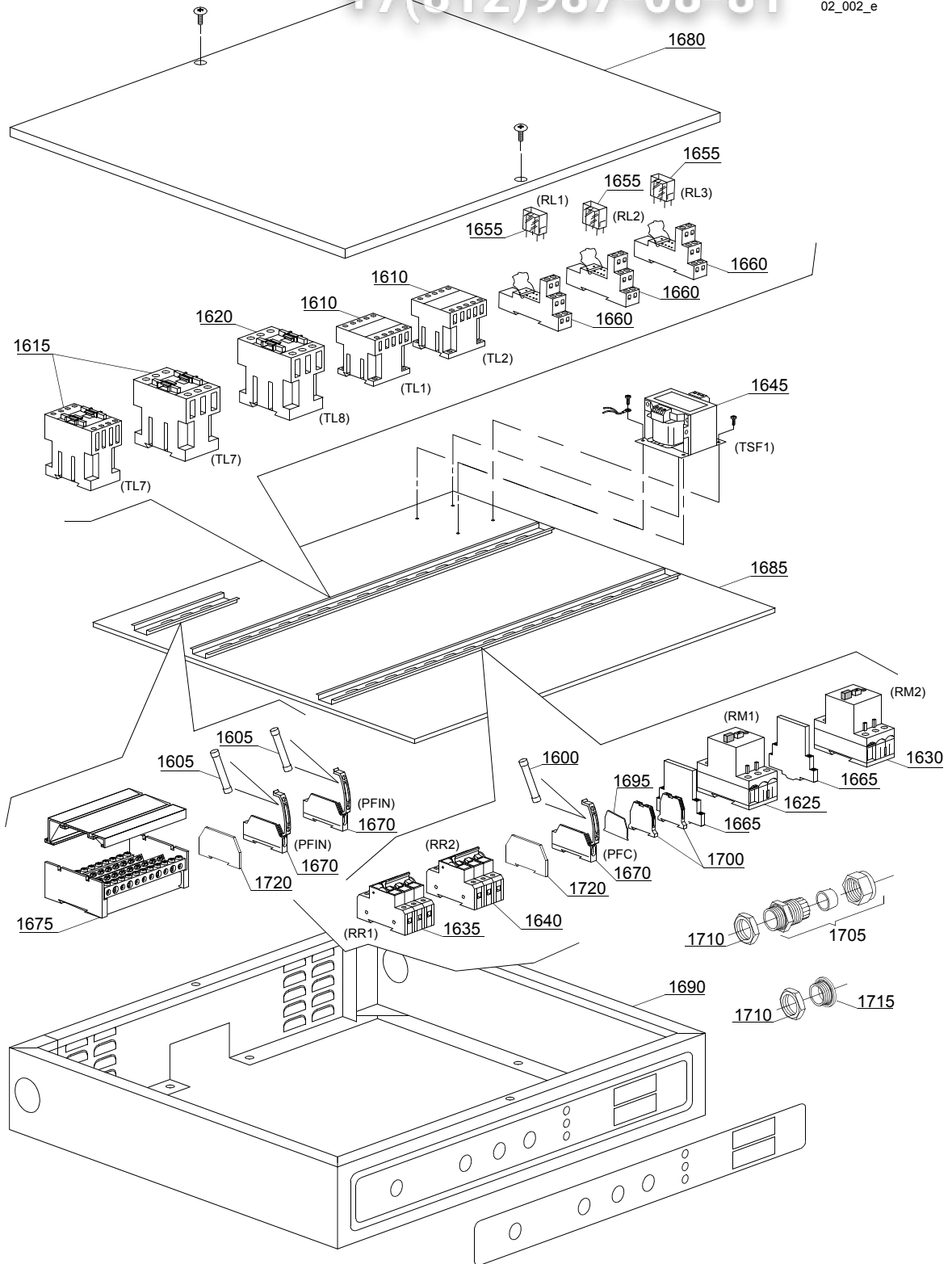
ID	P-code	SN from	SN to	Mod.	Acces.	Volt	Description
<b>Module:Electric parts [151]</b>							
1400	15160		-	em,uw		A	Fuse 5x20 10A
1405	15163		-	em,uw		A	Fuse 5x20 1A
1410	2000370		-	em,uw		A	Contactora MC9
1415	2000380		-	em,uw		A	Contactora BF12 (heating element < 9 kW)
1415	2000385		-	em,uw		A	Contactora BF20 (heating element > 9 kW)
1420	2000385		-	em,uw		A	Contactora BF20
1425	2000390		-	em,uw		A	Motorprotector 1 - 1.6A
1430	2000400		-	em,uw		A	Motorprotector 4 - 6.3A
1435	2000403		-	em,uw		A	Automatic fuse C20 (heating element < 9kW)
1435	2000404		-	em,uw		A	Automatic fuse C25 (heating element > 9kW)
1440	2000403		-	em,uw		A	Automatic fuse C20 (heating element < 9kW)
1440	2000404		-	em,uw		A	Automatic fuse C25 (heating element > 9kW)
1445	3006061		-	em,uw		A	Transformer 200VA
1445	3006060		-	em,uw		A	Transformer 160VA
1455	3006078		-	em,uw		A	Relay
1460	3006079		-	em,uw		A	Base for relay
1465	3006080		-	em,uw		A	Auxiliary contact LMS25
1470	3006147		-	em,uw		A	Fuse holder
1475	3006154		-	em,uw		A	Terminal board
1480	3009457		-	em,uw		A	Control panel cover
1485	3009458		-	em,uw		A	Electric parts pannel
1490	3019033		-	em,uw		A	Comand parts pannel
1495	80419		-	em,uw		A	Cable-fastener PG29
1500	80420		-	em,uw		A	Lock nut
1505	80421		-	em,uw		A	Plug PG29
1510	3006144		-	em,uw		A	Fuse holder covering plate

em=ELECTROMECHANICAL SWITCHES, uw=LOWER AND UPPER WASHER

34HS=34HS

sc8=STEAM CONDENSER - LC 81, csa=CONVEYOR SPEED ADJUSTING - LC 101, 972=90°MOTORIZED CHAIN CONVEYOR - LC 97/2, 973=180°MOTORIZED CHAIN CONVEYOR - LC 97/3, 974=DRYER WITH 90° MOTORIZED CHAIN CONVEYOR - LC 97/4, 975=DRYER WITH 180° MOTORIZED CHAIN CONVEYOR - LC 97/5, d8=DRYER - LC 80, cw=ADDITIONAL BOILER FOR COLD WATER SUPPLY, dvgw=DVGW VALVE SYSTEM, wfa=WATER FLOW ADJUSTING, szc8=SPLASH ZONE WITH CILINDER - LC 84, sz8=SPLASH ZONE - LC 83, ti=TANK INSULATION, ds=DOUBLE SKIN, bp=BOOSTER PUMP, sdn3=DISPENSER SYSTEM SDN-3, 98=ANGLE LOADING TABLE - LC 98, res=RINSE ECONOMIZER SYSTEM

A=3/N/PE~380-400V 50-60Hz, D=3/PE~200-210V 50-60Hz, F=2/PE~220-240V 50-60Hz, G=3/N/PE~415V 50-60Hz, H=3/PE~220-230V 50-60Hz, K=3/PE~380-400V 50-60Hz, L=3/PE~415V 50-60Hz, M=3/PE~440V 60Hz, P=1/N/PE~220-230V 50-60Hz, R=2/PE~220-240V 50-60Hz, U=1/N/PE~240V 50-60Hz, V=3/PE~240V 50-60Hz, W=1/N/PE~100-110V 50-60Hz



ID	P-code	SN from	SN to	Mod.	Acces.	Volt	Description
<b>Module:Electric parts [151]</b>							
1600	15160		-	em,uw		A	Fuse 5x20 10A
1605	15163		-	em,uw		A	Fuse 5x20 1A
1610	2000370		-	em,uw		A	Contactora MC9
1615	2000380		-	em,uw		A	Contactora BF12 (heating element < 9 kW)
1615	2000385		-	em,uw		A	Contactora BF20 (heating element > 9 kW)
1620	2000385		-	em,uw		A	Contactora BF20
1625	2000390		-	em,uw		A	Motorprotector 1 - 1.6A
1630	2000400		-	em,uw		A	Motorprotector 4 - 6.3A
1635	2000403		-	em,uw		A	Automatic fuse C20 (heating element < 9kW)
1635	2000404		-	em,uw		A	Automatic fuse C25 (heating element > 9kW)
1640	2000403		-	em,uw		A	Automatic fuse C20 (heating element < 9kW)
1640	2000404		-	em,uw		A	Automatic fuse C25 (heating element > 9kW)
1645	3006061		-	em,uw		A	Transformer 200VA
1645	3006060		-	em,uw		A	Transformer 160VA
1655	3006078		-	em,uw		A	Relay
1660	3006079		-	em,uw		A	Base for relay
1665	3006080		-	em,uw		A	Auxiliary contact LMS25
1670	3006147		-	em,uw		A	Fuse holder
1675	3006154		-	em,uw		A	Terminal board
1680	3009457		-	em,uw		A	Control panel cover
1685	3009458		-	em,uw		A	Electric parts pannel
1690	3019033		-	em,uw		A	Comand parts pannel
1695	3006083		-	em,uw		A	Clamp covering plate 4mm <sup>2</sup>
1700	3006092		-	em,uw		A	Clamp 4mm <sup>2</sup>
1705	80419		-	em,uw		A	Cable-fastener PG29
1710	80420		-	em,uw		A	Lock nut
1715	80421		-	em,uw		A	Plug PG29
1720	3006144		-	em,uw		A	Fuse holder covering plate

em=ELECTROMECHANICAL SWITCHES, uw=LOWER AND UPPER WASHER

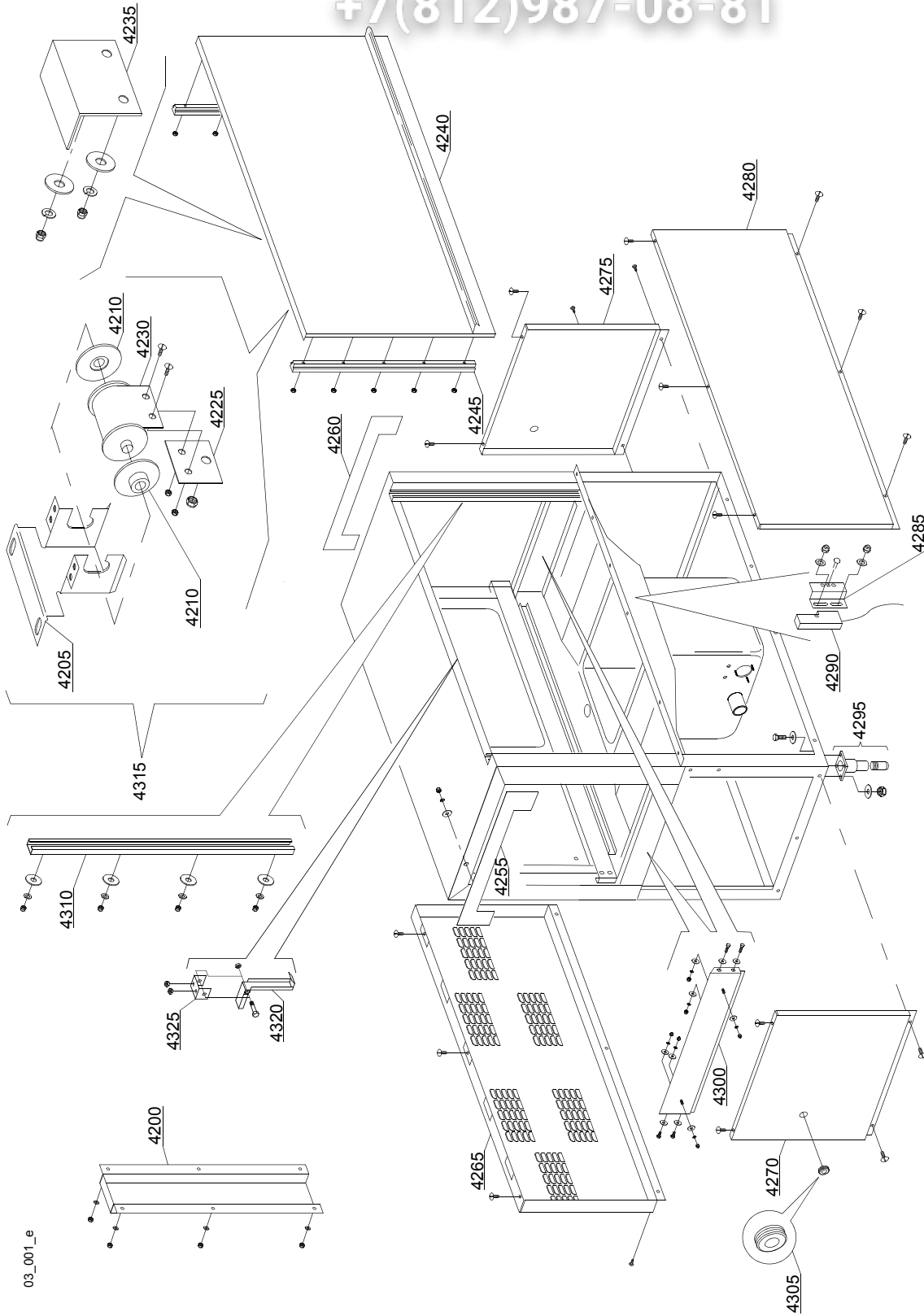
34HS=34HS

sc8=STEAM CONDENSER - LC 81, csa=CONVEYOR SPEED ADJUSTING - LC 101, 972=90°MOTORIZED CHAIN CONVEYOR - LC 97/2, 973=180°MOTORIZED CHAIN CONVEYOR - LC 97/3, 974=DRYER WITH 90° MOTORIZED CHAIN CONVEYOR - LC 97/4, 975=DRYER WITH 180° MOTORIZED CHAIN CONVEYOR - LC 97/5, d8=DRYER - LC 80, cw=ADDITIONAL BOILER FOR COLD WATER SUPPLY, dvgw=DVGW VALVE SYSTEM, wfa=WATER FLOW ADJUSTING, szc8=SPLASH ZONE WITH CILINDER - LC 84, sz8=SPLASH ZONE - LC 83, ti=TANK INSULATION, ds=DOUBLE SKIN, bp=BOOSTER PUMP, sdn3=DISPENSER SYSTEM SDN-3, 98=ANGLE LOADING TABLE - LC 98, res=RINSE ECONOMIZER SYSTEM

A=3/N/PE~380-400V 50-60Hz, D=3/PE~200-210V 50-60Hz, F=2/PE~220-240V 50-60Hz, G=3/N/PE~415V 50-60Hz, H=3/PE~220-230V 50-60Hz, K=3/PE~380-400V 50-60Hz, L=3/PE~415V 50-60Hz, M=3/PE~440V 60Hz, P=1/N/PE~220-230V 50-60Hz, R=2/PE~220-240V 50-60Hz, U=1/N/PE~240V 50-60Hz, V=3/PE~240V 50-60Hz, W=1/N/PE~100-110V 50-60Hz

vsezip.ru

+7(812)987-08-81



03\_001\_e



ID	P-code	SN from	SN to	Mod.	Acces.	Volt	Description
<b>Module:General parts [151]</b>							
4200	3009322		-	em,uw			Rear cover
4205	3009664		-	em,uw			Spring support
4210	3004012		-	em,uw			Spring holder
4225	3009555		-	em,uw			Spring clamping plate
4230	3004010		-	em,uw			Door spring BBSR 21
4235	3009269		-	em,uw			Door stop
4240	3009576		-	em,uw			Door assembly
4245	3004026		-	em,uw			Door guide
4255	3009523		-	em,uw			Pluggin panel left
4260	3009534		-	em,uw			Pluggin panel right
4265	3009173		-	em,uw			Rear panel
4270	3009191		-	em,uw			Cover left
4275	3009190		-	em,uw			Cover right
4280	3009465		-	em,uw			Front cover
4285	3009112		-	em,uw			Microswitch support
4290	3003112		-	em,uw			Door microswitch
4295	80116		-	em,uw			Foot
4300	3009549		-	em,uw			Side panel
4305	13329		-	em,uw			Fairlead
4310	3009033		-	em,uw			Slideways
4315	3009907		-	em,uw			Spring assembly BBSR 21
4320	3000323		-	em,uw			Hook door
4325	3000324		-	em,uw			Hook support

em=ELECTROMECHANICAL SWITCHES, uw=LOWER AND UPPER WASHER

34HS=34HS

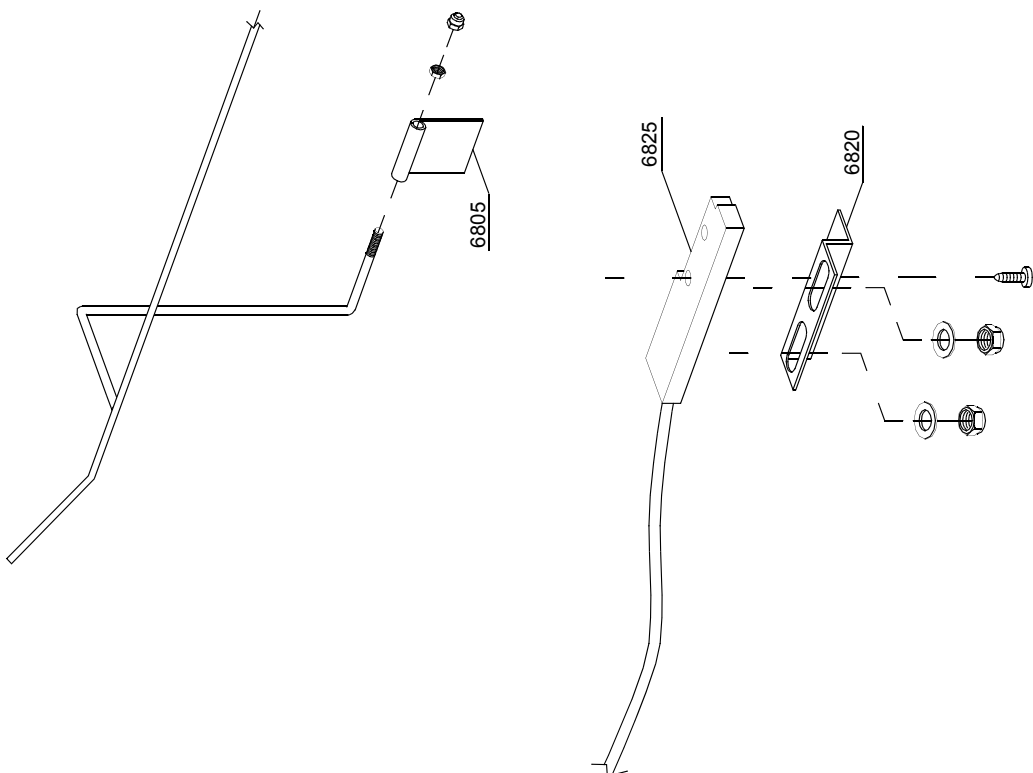
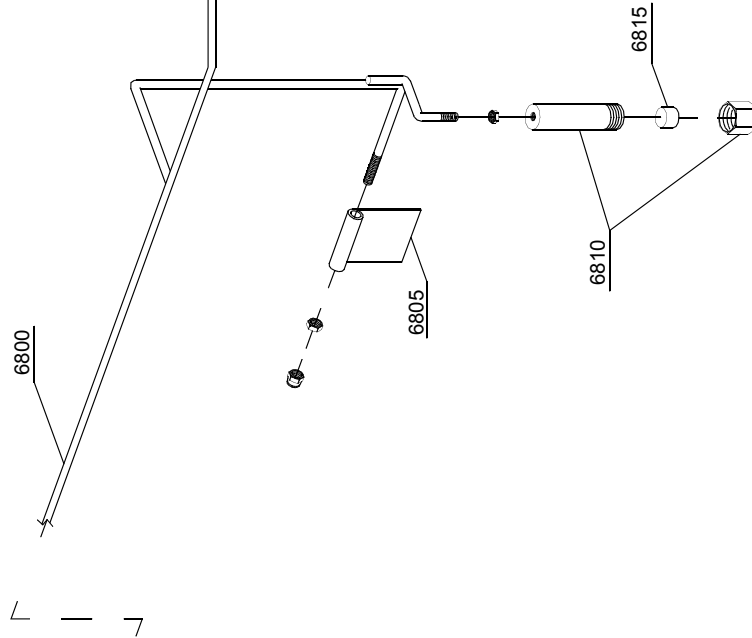
sc8=STEAM CONDENSER - LC 81, csa=CONVEYOR SPEED ADJUSTING - LC 101, 972=90°MOTORIZED CHAIN CONVEYOR - LC 97/2, 973=180°MOTORIZED CHAIN CONVEYOR - LC 97/3, 974=DRYER WITH 90° MOTORIZED CHAIN CONVEYOR - LC 97/4, 975=DRYER WITH 180° MOTORIZED CHAIN CONVEYOR - LC 97/5, d8=DRYER - LC 80, cw=ADDITIONAL BOILER FOR COLD WATER SUPPLY, dvgw=DVGW VALVE SYSTEM, wfa=WATER FLOW ADJUSTING, szc8=SPLASH ZONE WITH CILINDER - LC 84, sz8=SPLASH ZONE - LC 83, ti=TANK INSULATION, ds=DOUBLE SKIN, bp=BOOSTER PUMP, sdn3=DISPENSER SYSTEM SDN-3, 98=ANGLE LOADING TABLE - LC 98, res=RINSE ECONOMIZER SYSTEM

A=3/N/PE~380-400V 50-60Hz, D=3/PE~200-210V 50-60Hz, F=2/PE~220-240V 50-60Hz, G=3/N/PE~415V 50-60Hz, H=3/PE~220-230V 50-60Hz, K=3/PE~380-400V 50-60Hz, L=3/PE~415V 50-60Hz, M=3/PE~440V 60Hz, P=1/N/PE~220-230V 50-60Hz, R=2/PE~220-240V 50-60Hz, U=1/N/PE~240V 50-60Hz, V=3/PE~240V 50-60Hz, W=1/N/PE~100-110V 50-60Hz

vsezip.ru

+7(812)987-08-81

03\_101\_e



vsezip.ru

ID	P-code	SN from	SN to	Mod.	Acces.	Volt	Description
<b>Module: Economizer components [151]</b>							
6800	3004077		-	em,uw			Rack switch arm
6805	3003061		-	em,uw			Economizer support
6810	3003058		-	em,uw			Magnet holder
6815	3003113		-	em,uw			Magnet
6820	3009112		-	em,uw			Economizer microswitch support
6825	3003112		-	em,uw			Economizer microswitch

em=ELECTROMECHANICAL SWITCHES, uw=LOWER AND UPPER WASHER

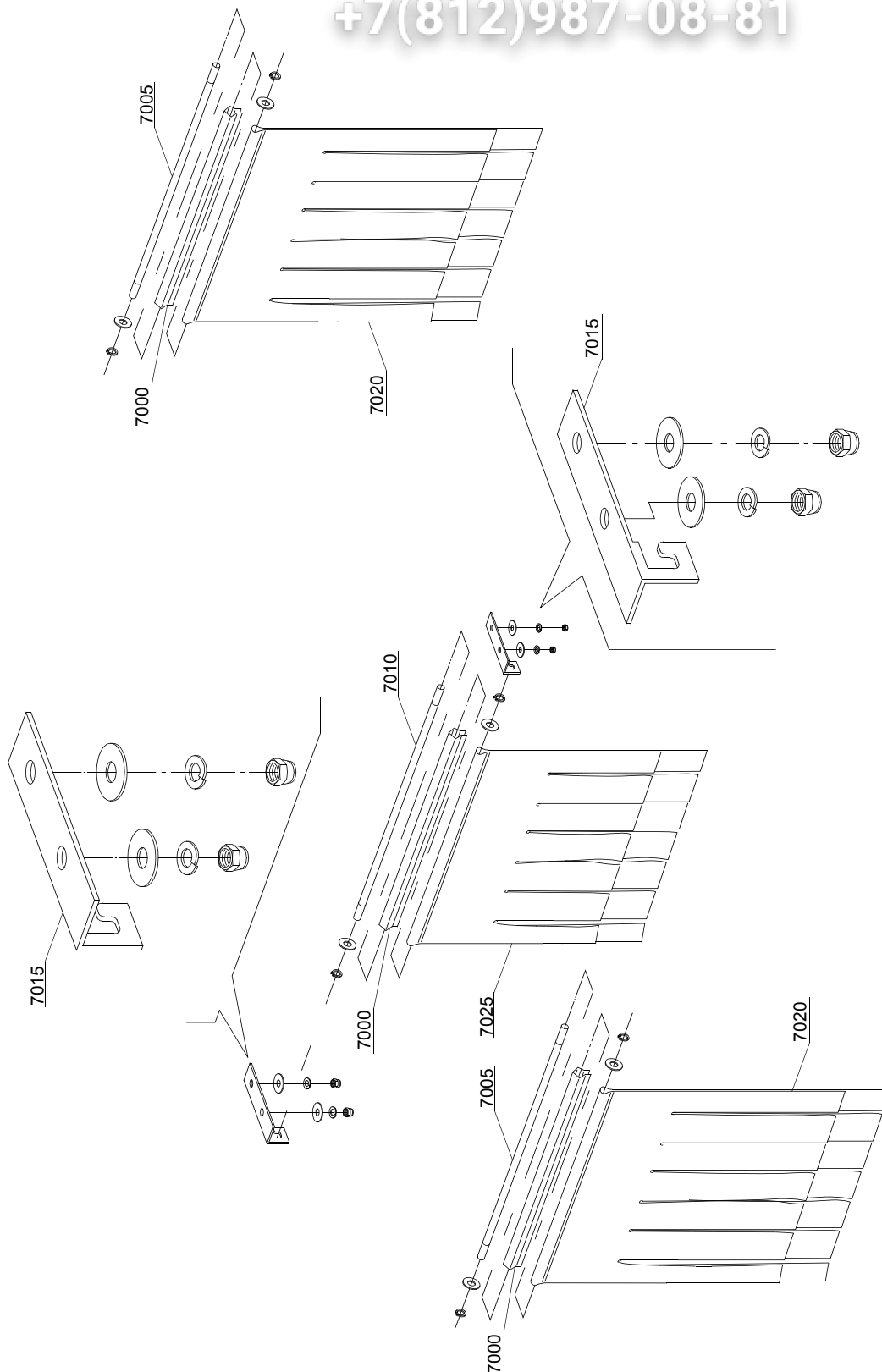
34HS=34HS

sc8=STEAM CONDENSER - LC 81, csa=CONVEYOR SPEED ADJUSTING - LC 101, 972=90°MOTORIZED CHAIN CONVEYOR - LC 97/2, 973=180°MOTORIZED CHAIN CONVEYOR - LC 97/3, 974=DRYER WITH 90° MOTORIZED CHAIN CONVEYOR - LC 97/4, 975=DRYER WITH 180° MOTORIZED CHAIN CONVEYOR - LC 97/5, d8=DRYER - LC 80, cw=ADDITIONAL BOILER FOR COLD WATER SUPPLY, dvgw=DVGW VALVE SYSTEM, wfa=WATER FLOW ADJUSTING, szc8=SPLASH ZONE WITH CILINDER - LC 84, sz8=SPLASH ZONE - LC 83, ti=TANK INSULATION, ds=DOUBLE SKIN, bp=BOOSTER PUMP, sdn3=DISPENSER SYSTEM SDN-3, 98=ANGLE LOADING TABLE - LC 98, res=RINSE ECONOMIZER SYSTEM

A=3/N/PE~380-400V 50-60Hz, D=3/PE~200-210V 50-60Hz, F=2/PE~220-240V 50-60Hz, G=3/N/PE~415V 50-60Hz, H=3/PE~220-230V 50-60Hz, K=3/PE~380-400V 50-60Hz, L=3/PE~415V 50-60Hz, M=3/PE~440V 60Hz, P=1/N/PE~220-230V 50-60Hz, R=2/PE~220-240V 50-60Hz, U=1/N/PE~240V 50-60Hz, V=3/PE~240V 50-60Hz, W=1/N/PE~100-110V 50-60Hz

vsezip.ru

+7(812)987-08-81



03\_201\_e

vsezip.ru

ID	P-code	SN from	SN to	Mod.	Acces.	Volt	Description
<b>Module: Curtains group components</b>							
<b>[151,160,210,220,230,240,250,300,300LC,310,310LC,380,380LC,400,440,440LC,540,510,510LC,540LC,BX230]</b>							
7000	3009109		-	em,uw			Curtain moulding
7005	3004053		-	em,uw			Curtain rod short
7010	3004052		-	em,uw			Curtain rod long
7015	3009110		-	em,uw			Curtain support
7020	3004050		-	em,uw			Curtain long
7025	3004051		-	em,uw			Curtain short

em=ELECTROMECHANICAL SWITCHES, uw=LOWER AND UPPER WASHER

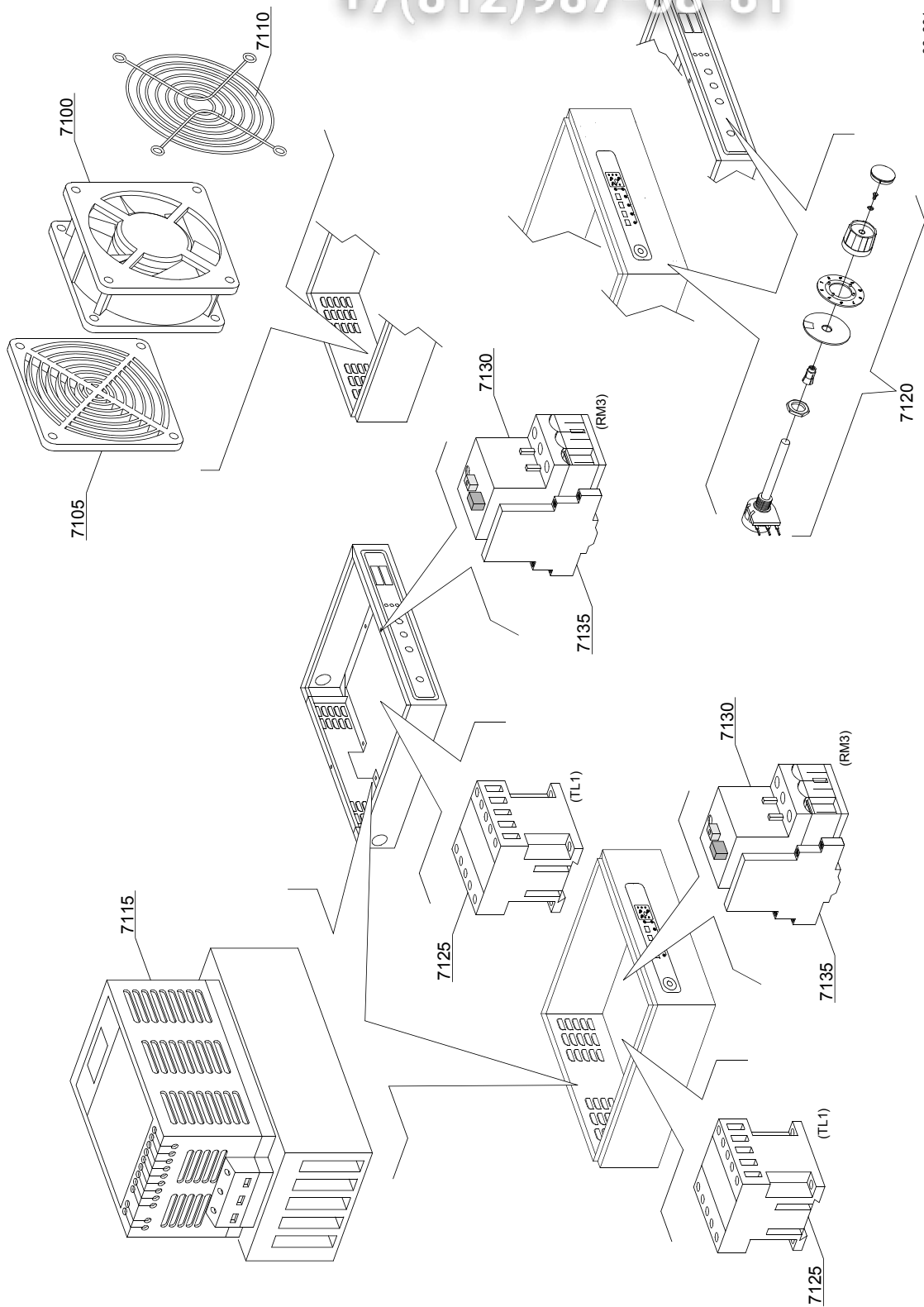
34HS=34HS

sc8=STEAM CONDENSER - LC 81, csa=CONVEYOR SPEED ADJUSTING - LC 101, 972=90°MOTORIZED CHAIN CONVEYOR - LC 97/2, 973=180°MOTORIZED CHAIN CONVEYOR - LC 97/3, 974=DRYER WITH 90° MOTORIZED CHAIN CONVEYOR - LC 97/4, 975=DRYER WITH 180° MOTORIZED CHAIN CONVEYOR - LC 97/5, d8=DRYER - LC 80, cw=ADDITIONAL BOILER FOR COLD WATER SUPPLY, dvgw=DVGW VALVE SYSTEM, wfa=WATER FLOW ADJUSTING, szc8=SPLASH ZONE WITH CILINDER - LC 84, sz8=SPLASH ZONE - LC 83, ti=TANK INSULATION, ds=DOUBLE SKIN, bp=BOOSTER PUMP, sdn3=DISPENSER SYSTEM SDN-3, 98=ANGLE LOADING TABLE - LC 98, res=RINSE ECONOMIZER SYSTEM

A=3/N/PE~380-400V 50-60Hz, D=3/PE~200-210V 50-60Hz, F=2/PE~220-240V 50-60Hz, G=3/N/PE~415V 50-60Hz, H=3/PE~220-230V 50-60Hz, K=3/PE~380-400V 50-60Hz, L=3/PE~415V 50-60Hz, M=3/PE~440V 60Hz, P=1/N/PE~220-230V 50-60Hz, R=2/PE~220-240V 50-60Hz, U=1/N/PE~240V 50-60Hz, V=3/PE~240V 50-60Hz, W=1/N/PE~100-110V 50-60Hz

vsezip.ru

+7(812)987-08-81



06\_001\_e

ID	P-code	SN from	SN to	Mod.	Acces.	Volt	Description
<b>Module: Inverter</b>							
<b>[151,160,210,220,230,240,250,300,300LC,310,310LC,380,380LC,400,440,440LC,540,510,510LC,540LC,BX230,BX280]</b>							
7100	3000118		-	em,uw		A	Impeller fan
7105	3000118/A		-	em,uw		A	Filter
7110	3000118/B		-	em,uw		A	Grid
7115	3000117		-	em,uw		A	Inverter 0,37kW
7120	3000119		-	em,uw		A	Potentiometer with knob
7125	2000370		-	em,uw		A	Contactora MC9
7130	2000400		-	em,uw		A	Motorprotector 4-6,3A
7135	3006080		-	em,uw		A	Auxiliary contact LMS25

em=ELECTROMECHANICAL SWITCHES, uw=LOWER AND UPPER WASHER

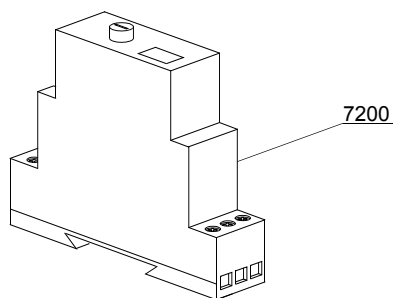
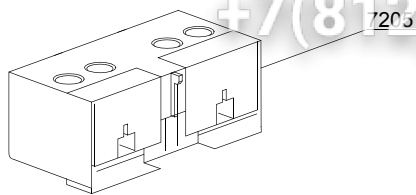
34HS=34HS

sc8=STEAM CONDENSER - LC 81, csa=CONVEYOR SPEED ADJUSTING - LC 101, 972=90°MOTORIZED CHAIN CONVEYOR - LC 97/2, 973=180°MOTORIZED CHAIN CONVEYOR - LC 97/3, 974=DRYER WITH 90° MOTORIZED CHAIN CONVEYOR - LC 97/4, 975=DRYER WITH 180° MOTORIZED CHAIN CONVEYOR - LC 97/5, d8=DRYER - LC 80, cw=ADDITIONAL BOILER FOR COLD WATER SUPPLY, dvgw=DVGW VALVE SYSTEM, wfa=WATER FLOW ADJUSTING, szc8=SPLASH ZONE WITH CILINDER - LC 84, sz8=SPLASH ZONE - LC 83, ti=TANK INSULATION, ds=DOUBLE SKIN, bp=BOOSTER PUMP, sdn3=DISPENSER SYSTEM SDN-3, 98=ANGLE LOADING TABLE - LC 98, res=RINSE ECONOMIZER SYSTEM

A=3/N/PE~380-400V 50-60Hz, D=3/PE~200-210V 50-60Hz, F=2/PE~220-240V 50-60Hz, G=3/N/PE~415V 50-60Hz, H=3/PE~220-230V 50-60Hz, K=3/PE~380-400V 50-60Hz, L=3/PE~415V 50-60Hz, M=3/PE~440V 60Hz, P=1/N/PE~220-230V 50-60Hz, R=2/PE~220-240V 50-60Hz, U=1/N/PE~240V 50-60Hz, V=3/PE~240V 50-60Hz, W=1/N/PE~100-110V 50-60Hz

vsezip.ru

+7(812)987-08-81



07\_001\_e



vsezip.ru

ID	P-code	SN from	SN to	Mod.	Acces.	Volt	Description
<b>Module: Time relay</b>							
[151,160,210,220,230,240,250,300,300LC,310,310LC,380,380LC,400,440,440LC,540,510,510LC,540LC,BX230,BX280]							
7200	3006226		-	em,uw		A	Time relay 24V
7200	3006226		-	em,uw		A	Time relay 24V
7205	3006068		-	em,uw		A	MC9 auxiliary contact 1NO-1NC
7205	3002057		-	em,uw		A	MC9 auxiliary contact 2NO
7205	3002052		-	em,uw		A	MC9 auxiliary contact 2NC

em=ELECTROMECHANICAL SWITCHES, uw=LOWER AND UPPER WASHER

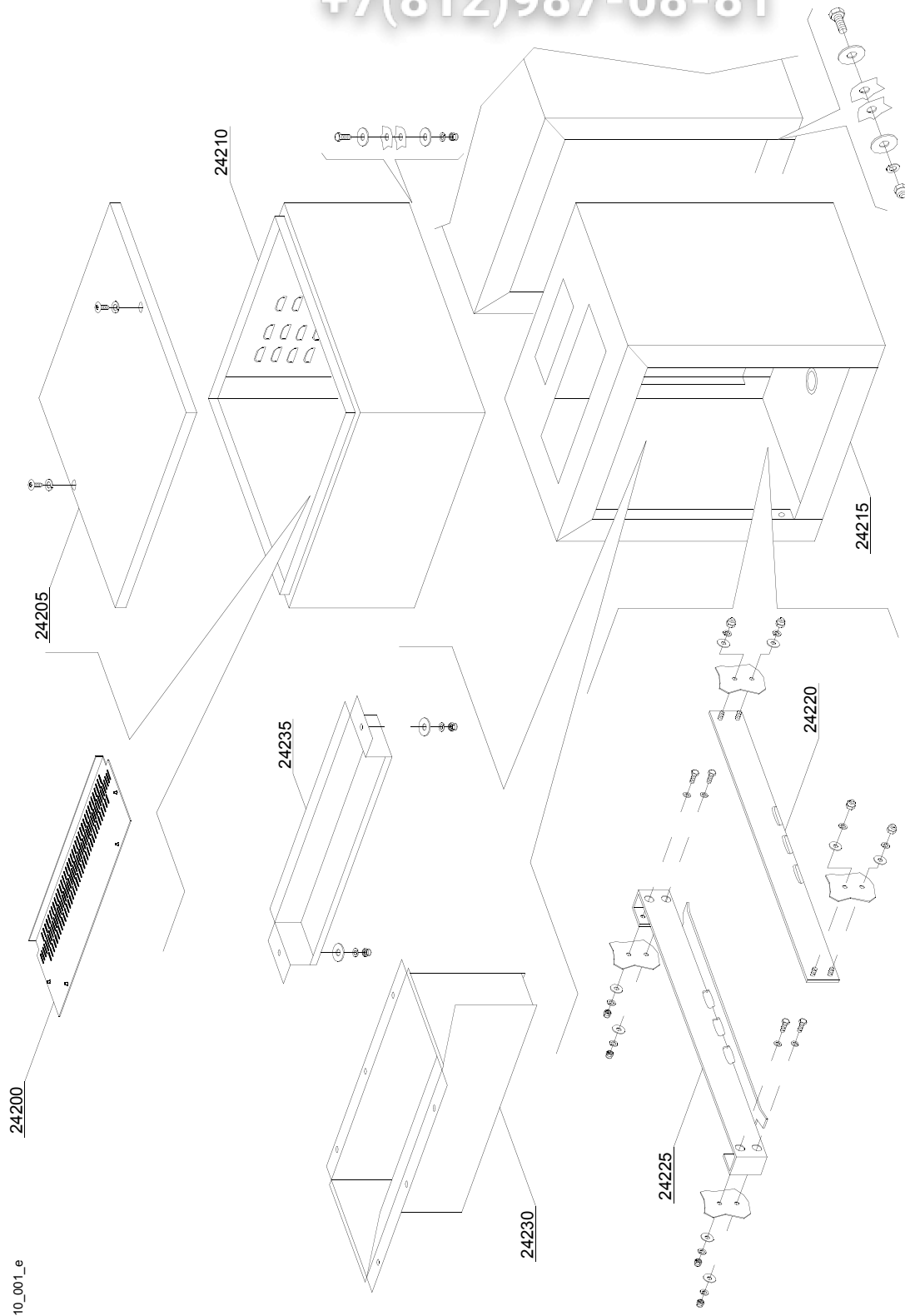
34HS=34HS

sc8=STEAM CONDENSER - LC 81, csa=CONVEYOR SPEED ADJUSTING - LC 101, 972=90°MOTORIZED CHAIN CONVEYOR - LC 97/2, 973=180°MOTORIZED CHAIN CONVEYOR - LC 97/3, 974=DRYER WITH 90° MOTORIZED CHAIN CONVEYOR - LC 97/4, 975=DRYER WITH 180° MOTORIZED CHAIN CONVEYOR - LC 97/5, d8=DRYER - LC 80, cw=ADDITIONAL BOILER FOR COLD WATER SUPPLY, dvgw=DVGW VALVE SYSTEM, wfa=WATER FLOW ADJUSTING, szc8=SPLASH ZONE WITH CILINDER - LC 84, sz8=SPLASH ZONE - LC 83, ti=TANK INSULATION, ds=DOUBLE SKIN, bp=BOOSTER PUMP, sdn3=DISPENSER SYSTEM SDN-3, 98=ANGLE LOADING TABLE - LC 98, res=RINSE ECONOMIZER SYSTEM

A=3/N/PE~380-400V 50-60Hz, D=3/PE~200-210V 50-60Hz, F=2/PE~220-240V 50-60Hz, G=3/N/PE~415V 50-60Hz, H=3/PE~220-230V 50-60Hz, K=3/PE~380-400V 50-60Hz, L=3/PE~415V 50-60Hz, M=3/PE~440V 60Hz, P=1/N/PE~220-230V 50-60Hz, R=2/PE~220-240V 50-60Hz, U=1/N/PE~240V 50-60Hz, V=3/PE~240V 50-60Hz, W=1/N/PE~100-110V 50-60Hz

vsezip.ru

+7(812)987-08-81



10\_001\_e

vsezip.ru

ID	P-code	SN from	SN to	Mod.	Acces.	Volt	Description
<b>Module: Dryer LC80 (612kW) - part 1 [151]</b>							
24200	3009564		-	em,uw			Protection/Splash guard
24205	3009267		-	em,uw			Cover panel
24210	3009569		-	em,uw			Complete body
24215	3009574		-	em,uw			Dryer module
24220	3009381		-	em,uw			Front slideways
24225	3009525		-	em,uw			Back slideways
24230	3009492		-	em,uw			Flow conveyer
24235	3009540		-	em,uw			Protection/Splash guard

em=ELECTROMECHANICAL SWITCHES, uw=LOWER AND UPPER WASHER

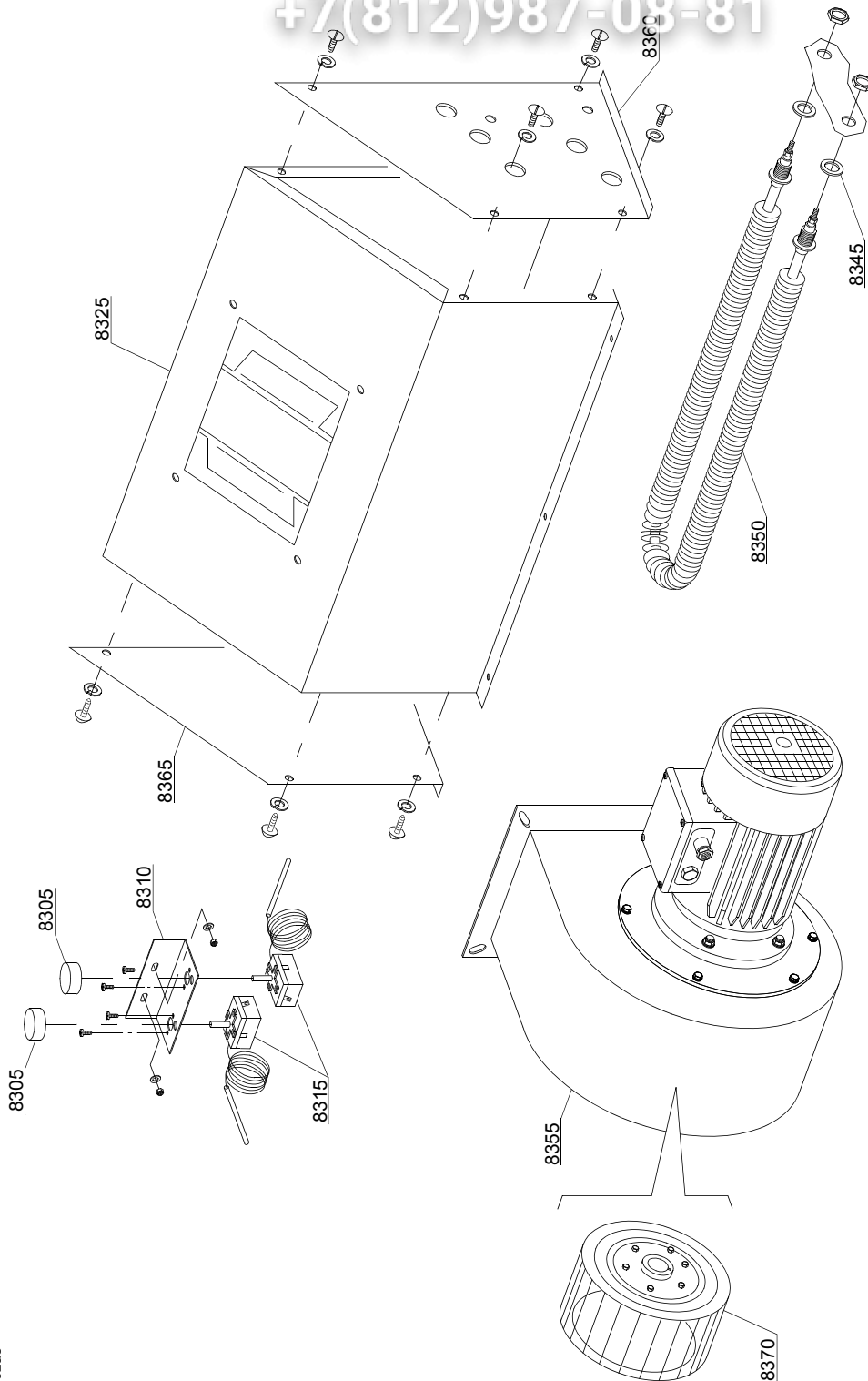
34HS=34HS

sc8=STEAM CONDENSER - LC 81, csa=CONVEYOR SPEED ADJUSTING - LC 101, 972=90°MOTORIZED CHAIN CONVEYOR - LC 97/2, 973=180°MOTORIZED CHAIN CONVEYOR - LC 97/3, 974=DRYER WITH 90° MOTORIZED CHAIN CONVEYOR - LC 97/4, 975=DRYER WITH 180° MOTORIZED CHAIN CONVEYOR - LC 97/5, d8=DRYER - LC 80, cw=ADDITIONAL BOILER FOR COLD WATER SUPPLY, dvgw=DVGW VALVE SYSTEM, wfa=WATER FLOW ADJUSTING, szc8=SPLASH ZONE WITH CILINDER - LC 84, sz8=SPLASH ZONE - LC 83, ti=TANK INSULATION, ds=DOUBLE SKIN, bp=BOOSTER PUMP, sdn3=DISPENSER SYSTEM SDN-3, 98=ANGLE LOADING TABLE - LC 98, res=RINSE ECONOMIZER SYSTEM

A=3/N/PE~380-400V 50-60Hz, D=3/PE~200-210V 50-60Hz, F=2/PE~220-240V 50-60Hz, G=3/N/PE~415V 50-60Hz, H=3/PE~220-230V 50-60Hz, K=3/PE~380-400V 50-60Hz, L=3/PE~415V 50-60Hz, M=3/PE~440V 60Hz, P=1/N/PE~220-230V 50-60Hz, R=2/PE~220-240V 50-60Hz, U=1/N/PE~240V 50-60Hz, V=3/PE~240V 50-60Hz, W=1/N/PE~100-110V 50-60Hz

vsezip.ru

+7(812)987-08-81



11\_102ae

ID	P-code	SN from	SN to	Mod.	Acces.	Volt	Description
<b>Module: Dryer LC80 - LC90 (6kW) - part 2</b>							
<b>[151,160,210,220,230,240,250,300,300LC,310,310LC,380,380LC,400,440,440LC,510,510LC,540,540LC]</b>							
8305	15105/C		-	em,uw			0-300°C Thermostat knob
8310	3009104		-	em,uw			Thermostat support
8315	10707/3		-	em,uw			Thermostat with shaft 0 - 300°
8325	3009674		-	em,uw			Drying Carter
8330	3009486		-	em,uw			Right drying conveyor
8330	3009487		-	em,uw			Left drying conveyor
8345	10200171		-	em,uw			Gasket FASIT 25x17x2
8350	2000359		-	em,uw			Drying heating element with nut
8355	3000300		-	em,uw		A	Motorfan 0,55 kW
8360	3009675		-	em,uw			Side with oles
8365	3009676		-	em,uw			Side without oles
8370	3000308		-	em,uw			Pump rotor

em=ELECTROMECHANICAL SWITCHES, uw=LOWER AND UPPER WASHER

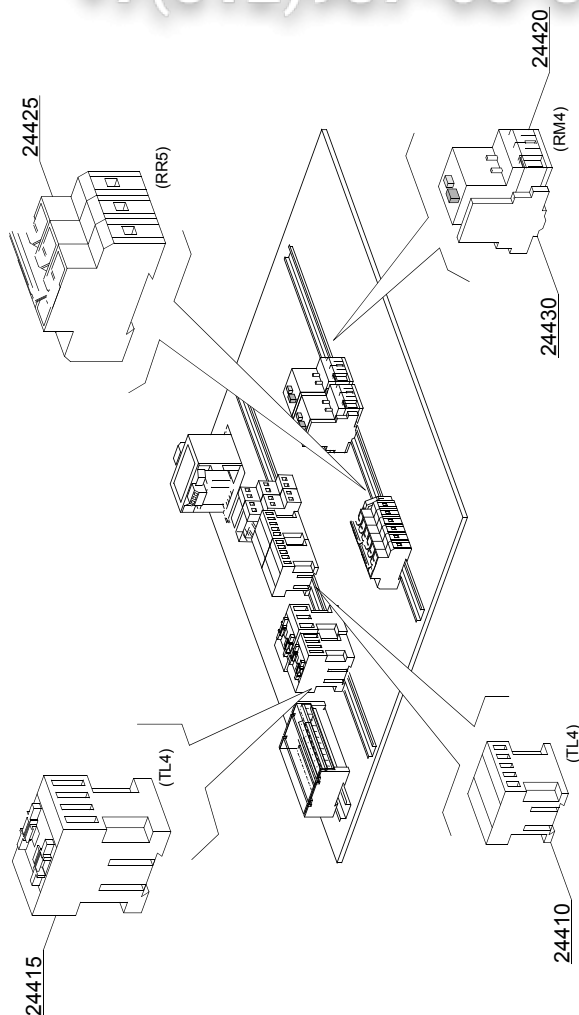
34HS=34HS

sc8=STEAM CONDENSER - LC 81, csa=CONVEYOR SPEED ADJUSTING - LC 101, 972=90°MOTORIZED CHAIN CONVEYOR - LC 97/2, 973=180°MOTORIZED CHAIN CONVEYOR - LC 97/3, 974=DRYER WITH 90° MOTORIZED CHAIN CONVEYOR - LC 97/4, 975=DRYER WITH 180° MOTORIZED CHAIN CONVEYOR - LC 97/5, d8=DRYER - LC 80, cw=ADDITIONAL BOILER FOR COLD WATER SUPPLY, dvgw=DVGW VALVE SYSTEM, wfa=WATER FLOW ADJUSTING, szc8=SPLASH ZONE WITH CILINDER - LC 84, sz8=SPLASH ZONE - LC 83, ti=TANK INSULATION, ds=DOUBLE SKIN, bp=BOOSTER PUMP, sdn3=DISPENSER SYSTEM SDN-3, 98=ANGLE LOADING TABLE - LC 98, res=RINSE ECONOMIZER SYSTEM

A=3/N/PE~380-400V 50-60Hz, D=3/PE~200-210V 50-60Hz, F=2/PE~220-240V 50-60Hz, G=3/N/PE~415V 50-60Hz, H=3/PE~220-230V 50-60Hz, K=3/PE~380-400V 50-60Hz, L=3/PE~415V 50-60Hz, M=3/PE~440V 60Hz, P=1/N/PE~220-230V 50-60Hz, R=2/PE~220-240V 50-60Hz, U=1/N/PE~240V 50-60Hz, V=3/PE~240V 50-60Hz, W=1/N/PE~100-110V 50-60Hz

vsezip.ru

+7(812)987-08-81



10\_201\_e

ID	P-code	SN from	SN to	Mod.	Acces	Volt	Description
<b>Module: Dryer LC80 (6kW) - electric components [15]</b>							
24410	2000370		-	em,uw		A	Contactora MC9
24415	2000380		-	em,uw		A	Contactora BF12 (LC90 - 6kW)
24420	2000394		-	em,uw		A	Motorprotector 2,5-4A (Motorfan 0,75 kW)
24425	2000403		-	em,uw		A	Automatic fuse C16 (LC90 - 6kW)
24430	3006080		-	em,uw		A	Auxiliary contact LMS25

em=ELECTROMECHANICAL SWITCHES, uw=LOWER AND UPPER WASHER

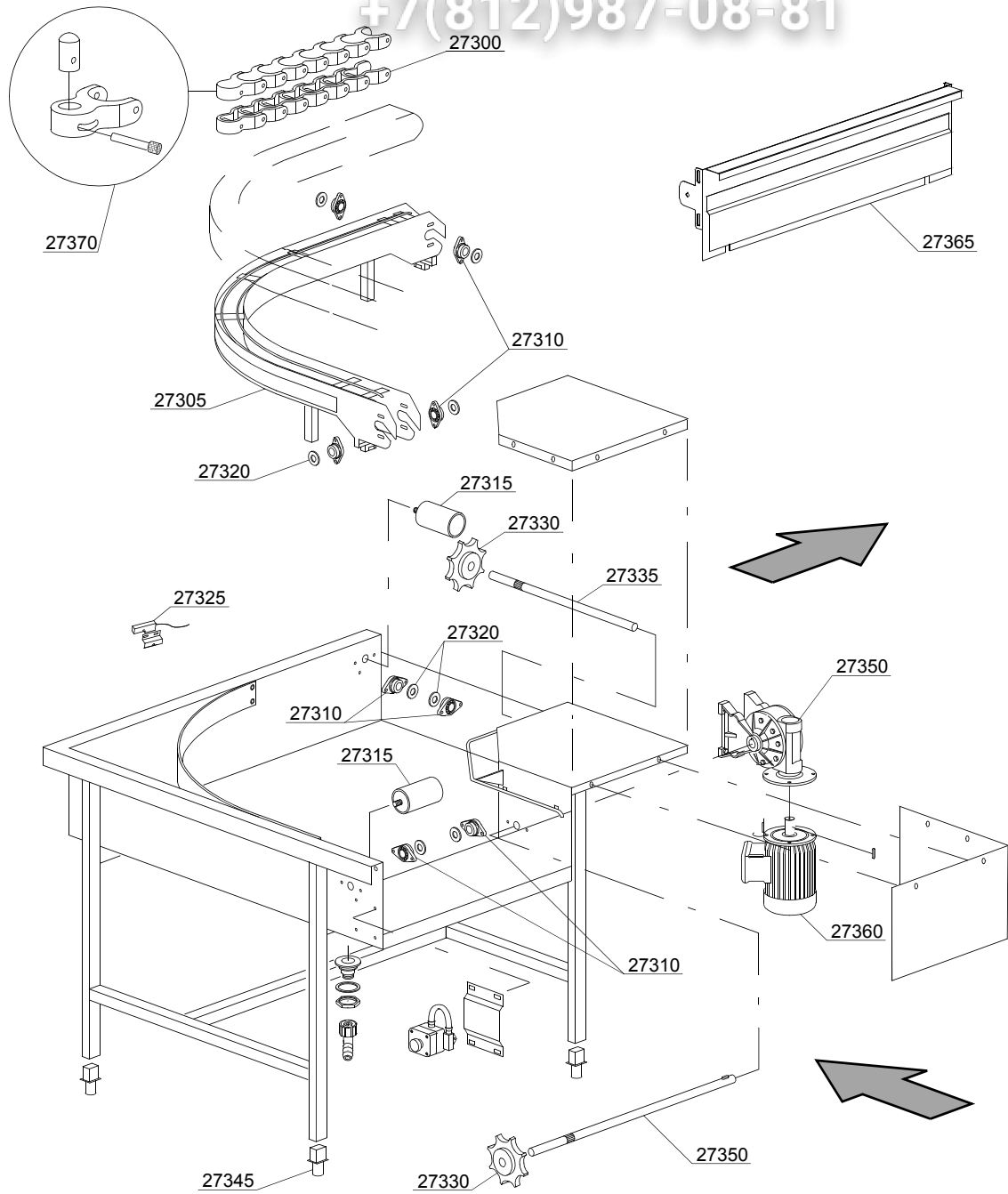
34HS=34HS

sc8=STEAM CONDENSER - LC 81, csa=CONVEYOR SPEED ADJUSTING - LC 101, 972=90°MOTORIZED CHAIN CONVEYOR - LC 97/2, 973=180°MOTORIZED CHAIN CONVEYOR - LC 97/3, 974=DRYER WITH 90° MOTORIZED CHAIN CONVEYOR - LC 97/4, 975=DRYER WITH 180° MOTORIZED CHAIN CONVEYOR - LC 97/5, d8=DRYER - LC 80, cw=ADDITIONAL BOILER FOR COLD WATER SUPPLY, dvgw=DVGW VALVE SYSTEM, wfa=WATER FLOW ADJUSTING, szc8=SPLASH ZONE WITH CILINDER - LC 84, sz8=SPLASH ZONE - LC 83, ti=TANK INSULATION, ds=DOUBLE SKIN, bp=BOOSTER PUMP, sdn3=DISPENSER SYSTEM SDN-3, 98=ANGLE LOADING TABLE - LC 98, res=RINSE ECONOMIZER SYSTEM

A=3/N/PE~380-400V 50-60Hz, D=3/PE~200-210V 50-60Hz, F=2/PE~220-240V 50-60Hz, G=3/N/PE~415V 50-60Hz, H=3/PE~220-230V 50-60Hz, K=3/PE~380-400V 50-60Hz, L=3/PE~415V 50-60Hz, M=3/PE~440V 60Hz, P=1/N/PE~220-230V 50-60Hz, R=2/PE~220-240V 50-60Hz, U=1/N/PE~240V 50-60Hz, V=3/PE~240V 50-60Hz, W=1/N/PE~100-110V 50-60Hz

vsezip.ru

+7(812)987-08-81



15\_001\_e



ID	P-code	SN from	SN to	Mod.	Acces.	Volt	Description
<b>Module: Motorized curve 90° - LC 97/2</b>							
<b>[151,160,210,220,230,240,250,300,300LC,310,310LC,380,380LC,400,440,440LC,510,510LC,540,540LC,BX230,BX300]</b>							
27300	3000259		-	em,uw			Chain for roller
27305	3003057		-	em,uw			Kit guide for chain
27310	3000260		-	em,uw			Flange for chain
27315	3000262		-	em,uw			Ø50x80 embossment roller
27320	3003048		-	em,uw			Spacer for bearings
27325	3003112		-	em,uw			Door microswitch
27330	3000261		-	em,uw			8 teeth pinion
27335	3003050		-	em,uw			Neutral shaft for chain
27345	3000252		-	em,uw			Adjustable food
27350	3003047		-	em,uw			Shaft for chain rotation
27350	3000254		-	em,uw			Gear right 1:100
27360	3000102		-	em,uw		A	Conveyor motor - 8P 230/400V 50HZ
27360	3000251		-	em,uw		A	Conveyor motor - 0,18HP - LC97
27365	3009657		-	em,uw			Adapter
27370	3000270		-	em,uw			Rack-push+Support+Pivot

em=ELECTROMECHANICAL SWITCHES, uw=LOWER AND UPPER WASHER

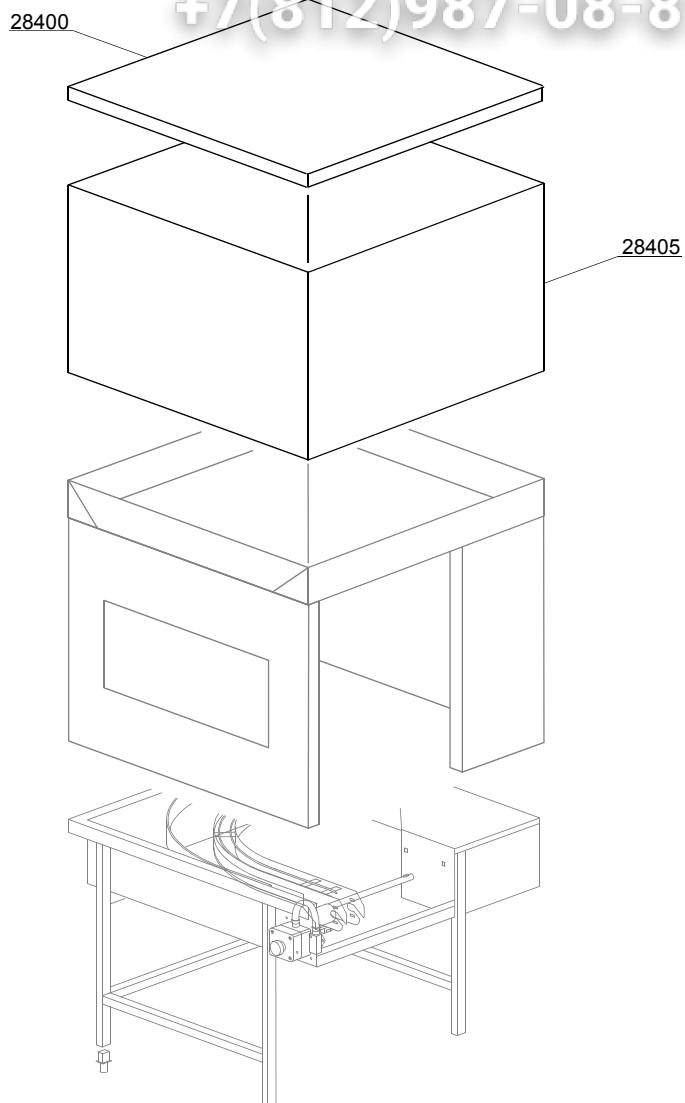
34HS=34HS

sc8=STEAM CONDENSER - LC 81, csa=CONVEYOR SPEED ADJUSTING - LC 101, 972=90°MOTORIZED CHAIN CONVEYOR - LC 97/2, 973=180°MOTORIZED CHAIN CONVEYOR - LC 97/3, 974=DRYER WITH 90° MOTORIZED CHAIN CONVEYOR - LC 97/4, 975=DRYER WITH 180° MOTORIZED CHAIN CONVEYOR - LC 97/5, d8=DRYER - LC 80, cw=ADDITIONAL BOILER FOR COLD WATER SUPPLY, dvgw=DVGW VALVE SYSTEM, wfa=WATER FLOW ADJUSTING, szc8=SPLASH ZONE WITH CILINDER - LC 84, sz8=SPLASH ZONE - LC 83, ti=TANK INSULATION, ds=DOUBLE SKIN, bp=BOOSTER PUMP, sdn3=DISPENSER SYSTEM SDN-3, 98=ANGLE LOADING TABLE - LC 98, res=RINSE ECONOMIZER SYSTEM

A=3/N/PE~380-400V 50-60Hz, D=3/PE~200-210V 50-60Hz, F=2/PE~220-240V 50-60Hz, G=3/N/PE~415V 50-60Hz, H=3/PE~220-230V 50-60Hz, K=3/PE~380-400V 50-60Hz, L=3/PE~415V 50-60Hz, M=3/PE~440V 60Hz, P=1/N/PE~220-230V 50-60Hz, R=2/PE~220-240V 50-60Hz, U=1/N/PE~240V 50-60Hz, V=3/PE~240V 50-60Hz, W=1/N/PE~100-110V 50-60Hz

vsezip.ru

+7(812)987-08-81



15\_101\_e

vsezip.ru

ID	P-code	SN from	SN to	Mod.	Acces.	Volt	Description
<b>Module: Dryer motorized curve 90° - LC 97/4</b>							
<b>[151,160,210,220,230,240,250,300,300LC,310,310LC,380,380LC,400,440,440LC,510,510LC,540,540LC,BX230,BX300]</b>							
28400	3009326		-	em,uw			Cover panel
28405	3009511		-	em,uw			Carter

em=ELECTROMECHANICAL SWITCHES, uw=LOWER AND UPPER WASHER

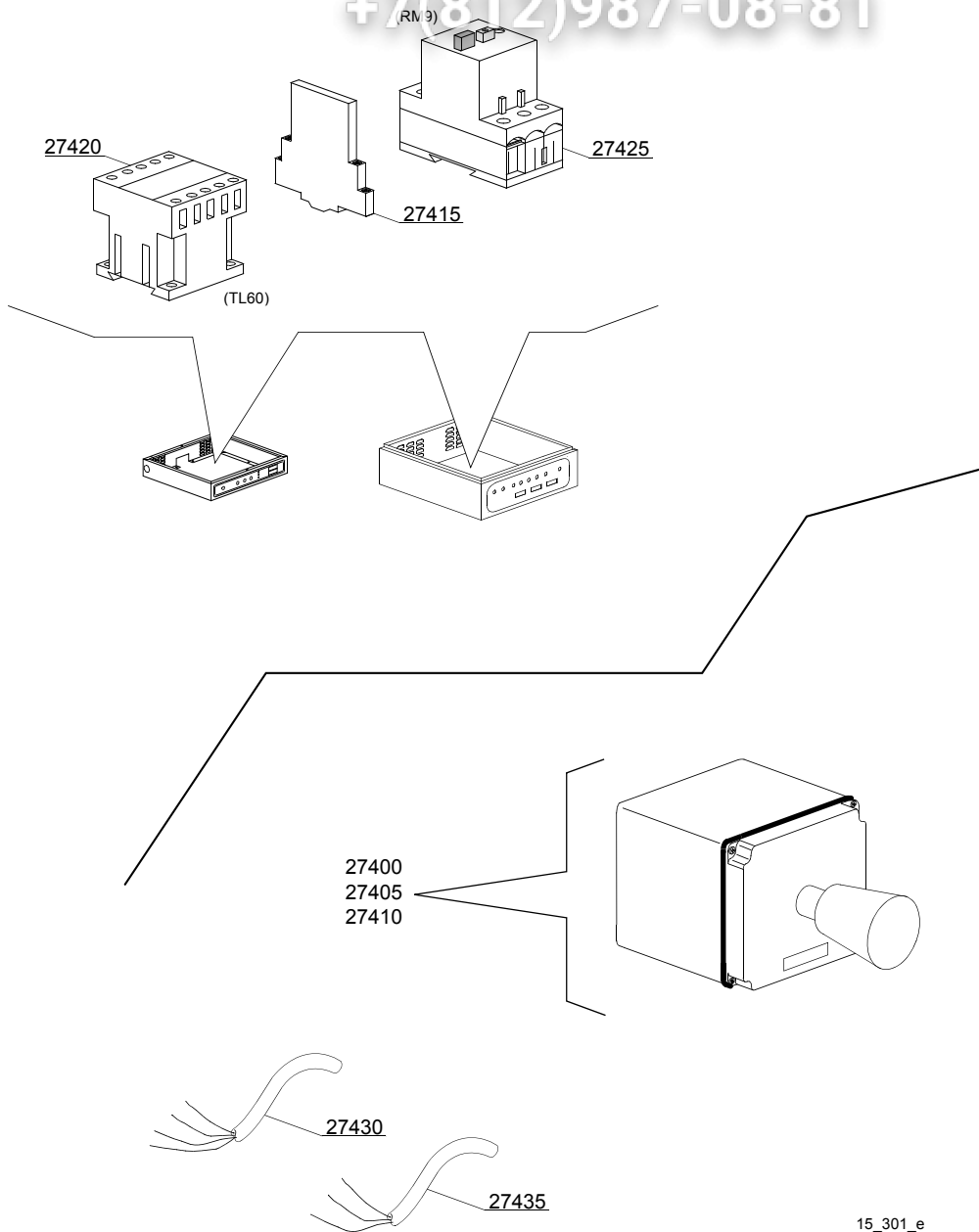
34HS=34HS

sc8=STEAM CONDENSER - LC 81, csa=CONVEYOR SPEED ADJUSTING - LC 101, 972=90°MOTORIZED CHAIN CONVEYOR - LC 97/2, 973=180°MOTORIZED CHAIN CONVEYOR - LC 97/3, 974=DRYER WITH 90° MOTORIZED CHAIN CONVEYOR - LC 97/4, 975=DRYER WITH 180° MOTORIZED CHAIN CONVEYOR - LC 97/5, d8=DRYER - LC 80, cw=ADDITIONAL BOILER FOR COLD WATER SUPPLY, dvgw=DVGW VALVE SYSTEM, wfa=WATER FLOW ADJUSTING, szc8=SPLASH ZONE WITH CILINDER - LC 84, sz8=SPLASH ZONE - LC 83, ti=TANK INSULATION, ds=DOUBLE SKIN, bp=BOOSTER PUMP, sdn3=DISPENSER SYSTEM SDN-3, 98=ANGLE LOADING TABLE - LC 98, res=RINSE ECONOMIZER SYSTEM

A=3/N/PE~380-400V 50-60Hz, D=3/PE~200-210V 50-60Hz, F=2/PE~220-240V 50-60Hz, G=3/N/PE~415V 50-60Hz, H=3/PE~220-230V 50-60Hz, K=3/PE~380-400V 50-60Hz, L=3/PE~415V 50-60Hz, M=3/PE~440V 60Hz, P=1/N/PE~220-230V 50-60Hz, R=2/PE~220-240V 50-60Hz, U=1/N/PE~240V 50-60Hz, V=3/PE~240V 50-60Hz, W=1/N/PE~100-110V 50-60Hz

vsezip.ru

+7(812)987-08-81



15\_301\_e

ID	P-code	SN from	SN to	Mod.	Acces.	Volt	Description
<b>Module: Motorized curve 90° - LC 97/2: electric parts</b>							
<b>[151,160,210,220,230,240,250,300,300LC,310,310LC,380,380LC,400,440,440LC,510,510LC,540,540LC,BX230,BX300]</b>							
27400	3000264		-	em,uw			Emergency box
27405	3000263		-	em,uw			Emergency switch
27410	3002059		-	em,uw			1R contact
27415	3006080		-	em,uw			Auxiliary contact LMS25
27420	2000370		-	em,uw			Contactor MC9
27425	2000389		-	em,uw			Motorprotector 0,63 - 1A (vers.400 VaC 3N)
27425	2000390		-	em,uw			Motorprotector 1 - 1.6A
27430	3006134		-	em,uw			Flame-retardant cable 4x1,5mm

em=ELECTROMECHANICAL SWITCHES, uw=LOWER AND UPPER WASHER

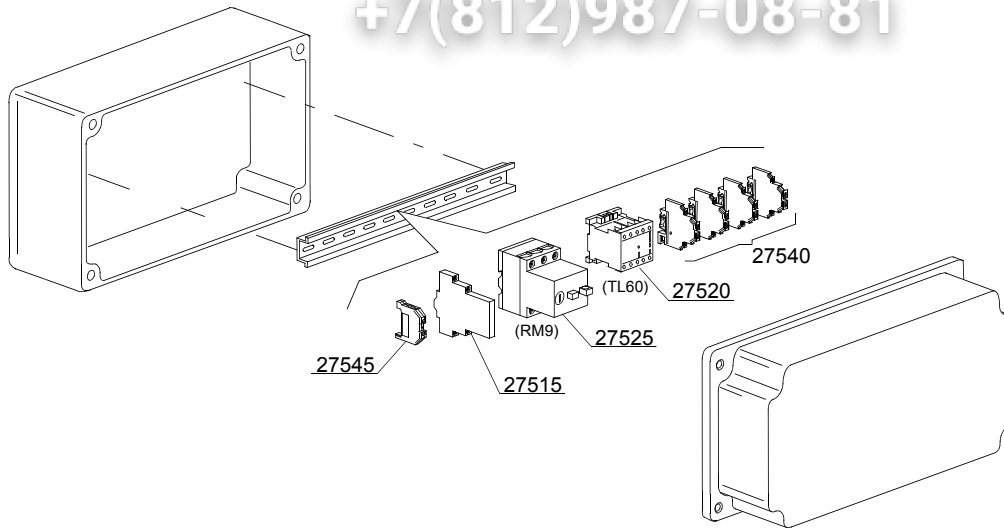
34HS=34HS

sc8=STEAM CONDENSER - LC 81, csa=CONVEYOR SPEED ADJUSTING - LC 101, 972=90°MOTORIZED CHAIN CONVEYOR - LC 97/2, 973=180°MOTORIZED CHAIN CONVEYOR - LC 97/3, 974=DRYER WITH 90° MOTORIZED CHAIN CONVEYOR - LC 97/4, 975=DRYER WITH 180° MOTORIZED CHAIN CONVEYOR - LC 97/5, d8=DRYER - LC 80, cw=ADDITIONAL BOILER FOR COLD WATER SUPPLY, dvgw=DVGW VALVE SYSTEM, wfa=WATER FLOW ADJUSTING, szc8=SPLASH ZONE WITH CILINDER - LC 84, sz8=SPLASH ZONE - LC 83, ti=TANK INSULATION, ds=DOUBLE SKIN, bp=BOOSTER PUMP, sdn3=DISPENSER SYSTEM SDN-3, 98=ANGLE LOADING TABLE - LC 98, res=RINSE ECONOMIZER SYSTEM

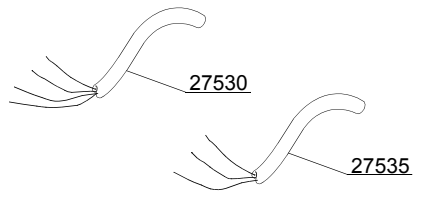
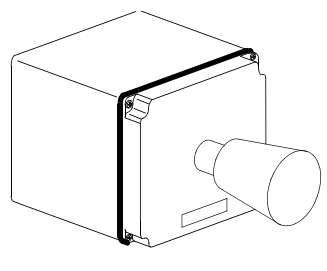
A=3/N/PE~380-400V 50-60Hz, D=3/PE~200-210V 50-60Hz, F=2/PE~220-240V 50-60Hz, G=3/N/PE~415V 50-60Hz, H=3/PE~220-230V 50-60Hz, K=3/PE~380-400V 50-60Hz, L=3/PE~415V 50-60Hz, M=3/PE~440V 60Hz, P=1/N/PE~220-230V 50-60Hz, R=2/PE~220-240V 50-60Hz, U=1/N/PE~240V 50-60Hz, V=3/PE~240V 50-60Hz, W=1/N/PE~100-110V 50-60Hz

vsezip.ru

+7(812)987-08-81



27500  
27505  
27510



15\_302\_e

ID	P-code	SN from	SN to	Mod.	Acces.	Volt	Description
<b>Module: Motorized curve 90° - LC 97/2: electric parts single speed - remote control [151,16]</b>							
27500	3000264		-	em,uw			Emergency box
27505	3000263		-	em,uw			Emergency switch
27510	3002059		-	em,uw			1R contact
27515	3006080		-	em,uw			Auxiliary contact LMS25
27520	2000370		-	em,uw			Contacteur MC9
27525	2000389		-	em,uw			Motorprotector 0,63 - 1A (vers.400 VaC 3N)
27525	2000390		-	em,uw			Motorprotector 1 - 1.6A
27530	3006134		-	em,uw			Flame-retardant cable 4x1,5mm
27540	3006092		-	em,uw			Clamp 4mm <sup>2</sup>
27545	10300401		-	em,uw			Earth clamp 4mm <sup>2</sup>

em=ELECTROMECHANICAL SWITCHES, uw=LOWER AND UPPER WASHER

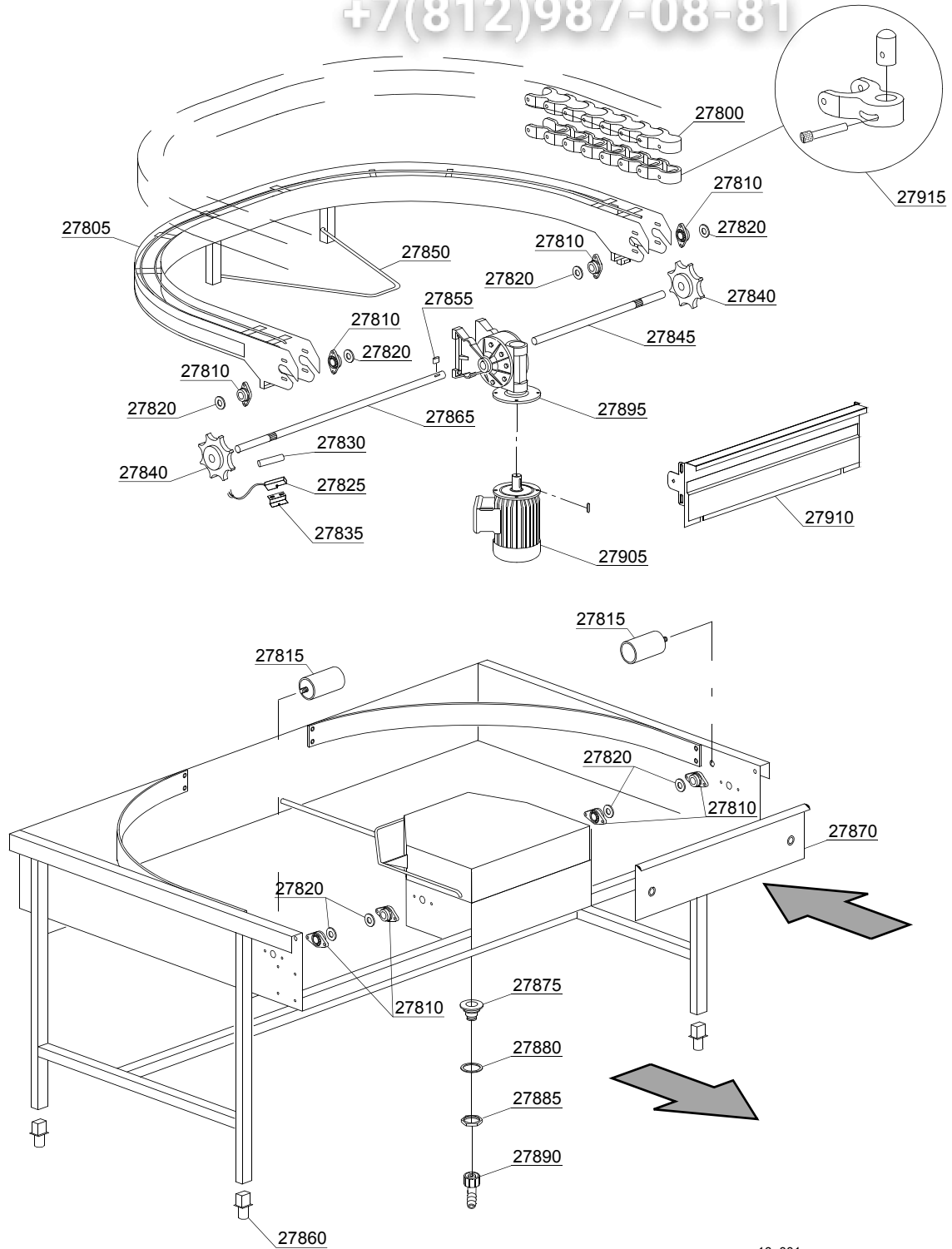
34HS=34HS

sc8=STEAM CONDENSER - LC 81, csa=CONVEYOR SPEED ADJUSTING - LC 101, 972=90°MOTORIZED CHAIN CONVEYOR - LC 97/2, 973=180°MOTORIZED CHAIN CONVEYOR - LC 97/3, 974=DRYER WITH 90° MOTORIZED CHAIN CONVEYOR - LC 97/4, 975=DRYER WITH 180° MOTORIZED CHAIN CONVEYOR - LC 97/5, d8=DRYER - LC 80, cw=ADDITIONAL BOILER FOR COLD WATER SUPPLY, dvgw=DVGW VALVE SYSTEM, wfa=WATER FLOW ADJUSTING, szc8=SPLASH ZONE WITH CILINDER - LC 84, sz8=SPLASH ZONE - LC 83, ti=TANK INSULATION, ds=DOUBLE SKIN, bp=BOOSTER PUMP, sdn3=DISPENSER SYSTEM SDN-3, 98=ANGLE LOADING TABLE - LC 98, res=RINSE ECONOMIZER SYSTEM

A=3/N/PE~380-400V 50-60Hz, D=3/PE~200-210V 50-60Hz, F=2/PE~220-240V 50-60Hz, G=3/N/PE~415V 50-60Hz, H=3/PE~220-230V 50-60Hz, K=3/PE~380-400V 50-60Hz, L=3/PE~415V 50-60Hz, M=3/PE~440V 60Hz, P=1/N/PE~220-230V 50-60Hz, R=2/PE~220-240V 50-60Hz, U=1/N/PE~240V 50-60Hz, V=3/PE~240V 50-60Hz, W=1/N/PE~100-110V 50-60Hz

vsezip.ru

+7(812)987-08-81



16\_001\_e



ID	P-code	SN from	SN to	Mod.	Acces.	Volt	Description
<b>Module: Motorized curve 180° - LC 97/3</b>							
<b>[151,160,210,220,230,240,250,300,300LC,310,310LC,380,380LC,400,440,440LC,510,510LC,540,540LC,BX230,BX300]</b>							
27800	3000259		-	em,uw			Chain for roller
27805	3003056		-	em,uw			Kit guide for chain
27810	3000260		-	em,uw			Flange for chain
27815	3000262		-	em,uw			Ø50x80 embossment roller
27820	3003048		-	em,uw			Spacer for bearings
27825	3003112		-	em,uw			Door microswitch
27830	80232		-	em,uw			Magnet for reed
27835	3009112		-	em,uw			Holder for reed micro door
27840	3000261		-	em,uw			8 teeth pinion
27845	3003051		-	em,uw			Neutral shaft for chain
27850	3003053		-	em,uw			Lifting arm for chain guide
27855	2001045		-	em,uw			6x6x25 machine key
27860	3000252		-	em,uw			Adjustable food
27865	3003047		-	em,uw			Shaft for chain rotation
27870	3009609		-	em,uw			Protection panel
27875	10200113		-	em,uw			Floor drain
27880	10200173		-	em,uw			75x58x2 gasket
27885	10200114		-	em,uw			Drain floor nut
27890	15613		-	em,uw			1" 1/4x30 nylon elbow
27895	3000255		-	em,uw			Gear right 1:70 2" Speed
27895	3000253		-	em,uw			Gear right 1:100 2" Speed
27895	3000254		-	em,uw			Gear right 1:100 1" Speed
27905	3000102		-	em,uw		A	Conveyor motor - 8P 230/400V 50HZ
27905	3000251		-	em,uw		A	Conveyor motor - 0,18HP - LC97
27910	3009657		-	em,uw			Adapter
27915	3000270		-	em,uw			Rack-push+Support+Pivot

em=ELECTROMECHANICAL SWITCHES, uw=LOWER AND UPPER WASHER

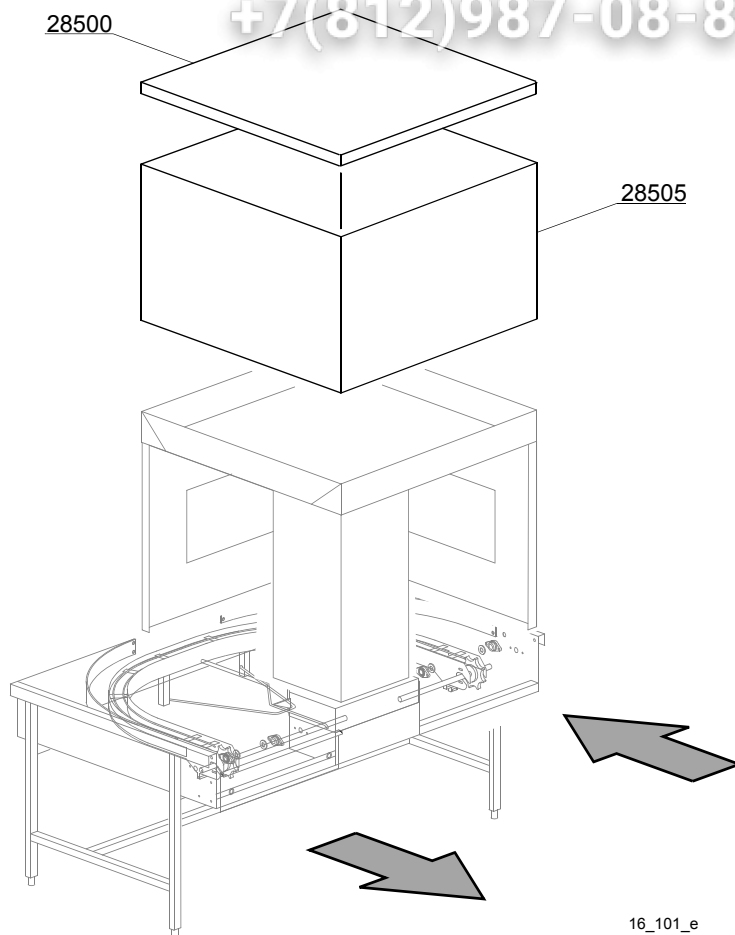
34HS=34HS

sc8=STEAM CONDENSER - LC 81, csa=CONVEYOR SPEED ADJUSTING - LC 101, 972=90°MOTORIZED CHAIN CONVEYOR - LC 97/2, 973=180°MOTORIZED CHAIN CONVEYOR - LC 97/3, 974=DRYER WITH 90° MOTORIZED CHAIN CONVEYOR - LC 97/4, 975=DRYER WITH 180° MOTORIZED CHAIN CONVEYOR - LC 97/5, d8=DRYER - LC 80, cw=ADDITIONAL BOILER FOR COLD WATER SUPPLY, dvgw=DVGW VALVE SYSTEM, wfa=WATER FLOW ADJUSTING, szc8=SPLASH ZONE WITH CILINDER - LC 84, sz8=SPLASH ZONE - LC 83, ti=TANK INSULATION, ds=DOUBLE SKIN, bp=BOOSTER PUMP, sdn3=DISPENSER SYSTEM SDN-3, 98=ANGLE LOADING TABLE - LC 98, res=RINSE ECONOMIZER SYSTEM

A=3/N/PE~380-400V 50-60Hz, D=3/PE~200-210V 50-60Hz, F=2/PE~220-240V 50-60Hz, G=3/N/PE~415V 50-60Hz, H=3/PE~220-230V 50-60Hz, K=3/PE~380-400V 50-60Hz, L=3/PE~415V 50-60Hz, M=3/PE~440V 60Hz, P=1/N/PE~220-230V 50-60Hz, R=2/PE~220-240V 50-60Hz, U=1/N/PE~240V 50-60Hz, V=3/PE~240V 50-60Hz, W=1/N/PE~100-110V 50-60Hz

vsezip.ru

+7(812)987-08-81



16\_101\_e

vsezip.ru

ID	P-code	SN from	SN to	Mod	Acces.	Volt	Description
<b>Module: Dryer motorized curve 180° - LC 97/5</b>							
<b>[151,160,210,220,230,240,250,300,300LC,310,310LC,380,380LC,400,440,440LC,510,510LC,540,540LC,BX230,BX300]</b>							
28500	3009326		-	em,uw			Cover panel
28505	3009511		-	em,uw			Carter

em=ELECTROMECHANICAL SWITCHES, uw=LOWER AND UPPER WASHER

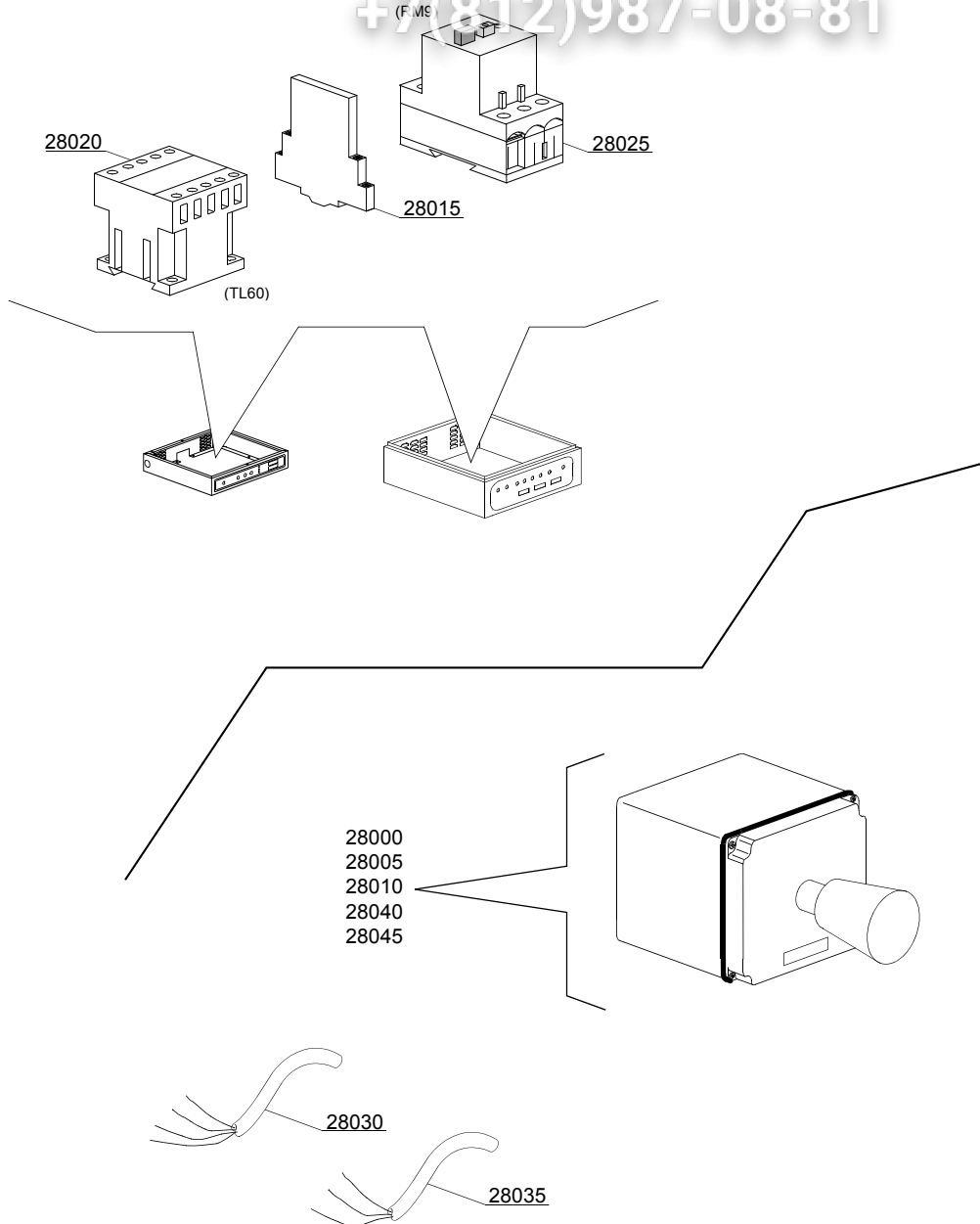
34HS=34HS

sc8=STEAM CONDENSER - LC 81, csa=CONVEYOR SPEED ADJUSTING - LC 101, 972=90°MOTORIZED CHAIN CONVEYOR - LC 97/2, 973=180°MOTORIZED CHAIN CONVEYOR - LC 97/3, 974=DRYER WITH 90° MOTORIZED CHAIN CONVEYOR - LC 97/4, 975=DRYER WITH 180° MOTORIZED CHAIN CONVEYOR - LC 97/5, d8=DRYER - LC 80, cw=ADDITIONAL BOILER FOR COLD WATER SUPPLY, dvgw=DVGW VALVE SYSTEM, wfa=WATER FLOW ADJUSTING, szc8=SPLASH ZONE WITH CILINDER - LC 84, sz8=SPLASH ZONE - LC 83, ti=TANK INSULATION, ds=DOUBLE SKIN, bp=BOOSTER PUMP, sdn3=DISPENSER SYSTEM SDN-3, 98=ANGLE LOADING TABLE - LC 98, res=RINSE ECONOMIZER SYSTEM

A=3/N/PE~380-400V 50-60Hz, D=3/PE~200-210V 50-60Hz, F=2/PE~220-240V 50-60Hz, G=3/N/PE~415V 50-60Hz, H=3/PE~220-230V 50-60Hz, K=3/PE~380-400V 50-60Hz, L=3/PE~415V 50-60Hz, M=3/PE~440V 60Hz, P=1/N/PE~220-230V 50-60Hz, R=2/PE~220-240V 50-60Hz, U=1/N/PE~240V 50-60Hz, V=3/PE~240V 50-60Hz, W=1/N/PE~100-110V 50-60Hz

vsezip.ru

+7(812)987-08-81



16\_301\_e

ID	P-code	SN from	SN to	Mod	Acces.	Volt	Description
<b>Module: Motorized curve 180° - LC 97/3: electric parts</b>							
<b>[210,220,230,240,250,300,300LC,310,310LC,380,380LC,400,440,440LC,510,510LC,540,540LC,BX230,BX300]</b>							
28000	3000264		-	em,uw			Emergency box
28005	3000263		-	em,uw			Emergency switch
28010	3002059		-	em,uw			1R contact
28015	3006080		-	em,uw			Auxiliary contact LMS25
28020	2000370		-	em,uw			Contacteur MC9
28025	2000390		-	em,uw			Motorprotector 1 - 1.6A
28025	2000389		-	em,uw			Motorprotector 0,63 - 1A (vers.400 VaC 3N)
28030	3006134		-	em,uw			Flame-retardant cable 4x1,5mm
28040	3000266		-	em,uw			Male connector with support
28045	3000267		-	em,uw			Female connector with support

em=ELECTROMECHANICAL SWITCHES, uw=LOWER AND UPPER WASHER

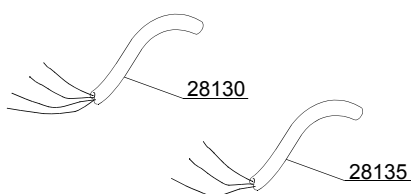
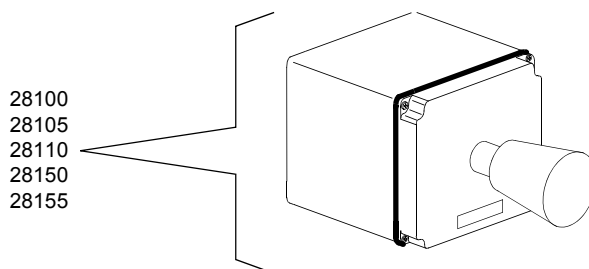
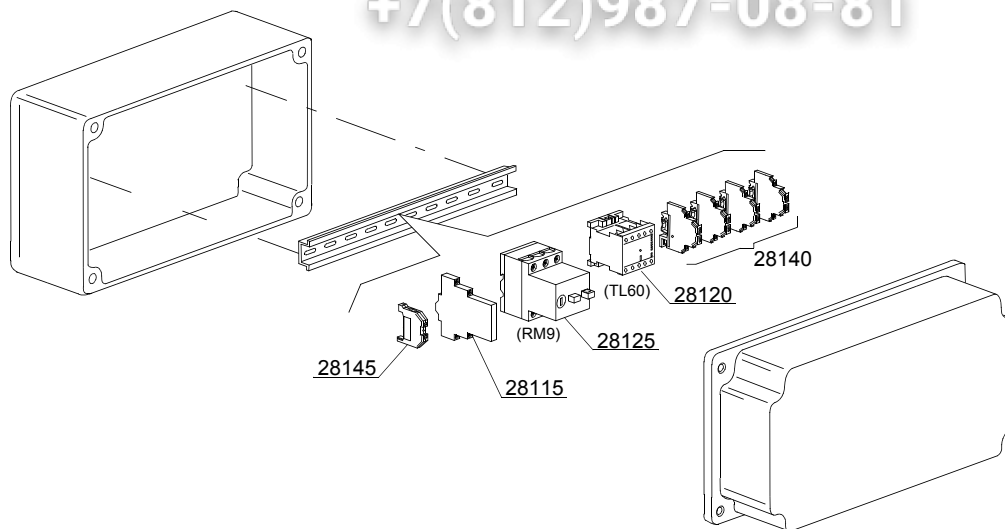
34HS=34HS

sc8=STEAM CONDENSER - LC 81, csa=CONVEYOR SPEED ADJUSTING - LC 101, 972=90°MOTORIZED CHAIN CONVEYOR - LC 97/2, 973=180°MOTORIZED CHAIN CONVEYOR - LC 97/3, 974=DRYER WITH 90° MOTORIZED CHAIN CONVEYOR - LC 97/4, 975=DRYER WITH 180° MOTORIZED CHAIN CONVEYOR - LC 97/5, d8=DRYER - LC 80, cw=ADDITIONAL BOILER FOR COLD WATER SUPPLY, dvgw=DVGW VALVE SYSTEM, wfa=WATER FLOW ADJUSTING, szc8=SPLASH ZONE WITH CILINDER - LC 84, sz8=SPLASH ZONE - LC 83, ti=TANK INSULATION, ds=DOUBLE SKIN, bp=BOOSTER PUMP, sdn3=DISPENSER SYSTEM SDN-3, 98=ANGLE LOADING TABLE - LC 98, res=RINSE ECONOMIZER SYSTEM

A=3/N/PE~380-400V 50-60Hz, D=3/PE~200-210V 50-60Hz, F=2/PE~220-240V 50-60Hz, G=3/N/PE~415V 50-60Hz, H=3/PE~220-230V 50-60Hz, K=3/PE~380-400V 50-60Hz, L=3/PE~415V 50-60Hz, M=3/PE~440V 60Hz, P=1/N/PE~220-230V 50-60Hz, R=2/PE~220-240V 50-60Hz, U=1/N/PE~240V 50-60Hz, V=3/PE~240V 50-60Hz, W=1/N/PE~100-110V 50-60Hz

vsezip.ru

+7(812)987-08-81



16\_302\_e

vsezip.ru

ID	P-code	SN from	SN to	Mod.	Acces.	Volt	Description
<b>Module: Motorized curve 180° - LC 97/3: electric parts, single speed - remote control [51,10]</b>							
28100	3000264		-	em,uw			Emergency box
28105	3000263		-	em,uw			Emergency switch
28110	3002059		-	em,uw			1R contact
28115	3006080		-	em,uw			Auxiliary contact LMS25
28120	2000370		-	em,uw			Contactora MC9
28125	2000390		-	em,uw			Motorprotector 1 - 1.6A
28125	2000389		-	em,uw			Motorprotector 0,63 - 1A (vers.400 VaC 3N)
28130	3006134		-	em,uw			Flame-retardant cable 4x1,5mm
28140	3006092		-	em,uw			Clamp 4mm <sup>2</sup>
28145	10300401		-	em,uw			Earth clamp 4mm <sup>2</sup>
28150	3000266		-	em,uw			Male connector with support
28155	3000267		-	em,uw			Female connector with support

em=ELECTROMECHANICAL SWITCHES, uw=LOWER AND UPPER WASHER

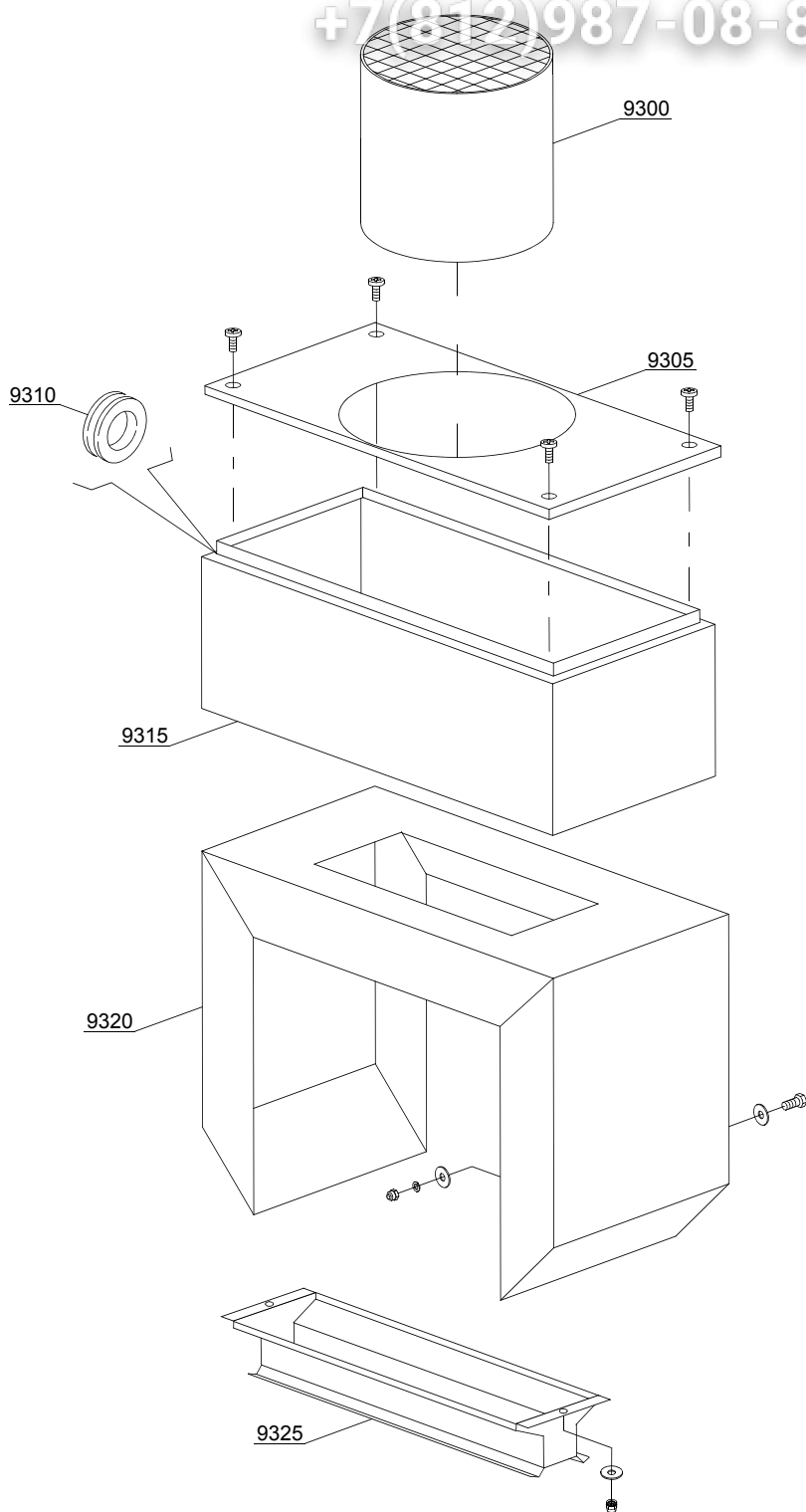
34HS=34HS

sc8=STEAM CONDENSER - LC 81, csa=CONVEYOR SPEED ADJUSTING - LC 101, 972=90°MOTORIZED CHAIN CONVEYOR - LC 97/2, 973=180°MOTORIZED CHAIN CONVEYOR - LC 97/3, 974=DRYER WITH 90° MOTORIZED CHAIN CONVEYOR - LC 97/4, 975=DRYER WITH 180° MOTORIZED CHAIN CONVEYOR - LC 97/5, d8=DRYER - LC 80, cw=ADDITIONAL BOILER FOR COLD WATER SUPPLY, dvgw=DVGW VALVE SYSTEM, wfa=WATER FLOW ADJUSTING, szc8=SPLASH ZONE WITH CILINDER - LC 84, sz8=SPLASH ZONE - LC 83, ti=TANK INSULATION, ds=DOUBLE SKIN, bp=BOOSTER PUMP, sdn3=DISPENSER SYSTEM SDN-3, 98=ANGLE LOADING TABLE - LC 98, res=RINSE ECONOMIZER SYSTEM

A=3/N/PE~380-400V 50-60Hz, D=3/PE~200-210V 50-60Hz, F=2/PE~220-240V 50-60Hz, G=3/N/PE~415V 50-60Hz, H=3/PE~220-230V 50-60Hz, K=3/PE~380-400V 50-60Hz, L=3/PE~415V 50-60Hz, M=3/PE~440V 60Hz, P=1/N/PE~220-230V 50-60Hz, R=2/PE~220-240V 50-60Hz, U=1/N/PE~240V 50-60Hz, V=3/PE~240V 50-60Hz, W=1/N/PE~100-110V 50-60Hz

vsezip.ru

+7(812)987-08-81



17\_001\_e



vsezip.ru

ID	P-code	SN from	SN to	Mod	Acces	Volt	Description
<b>Module: Steam condenser LC81 - part 1 [151]</b>							
9300	3009573		-	em,uw			Chimney
9305	3009472		-	em,uw			Cover with hole
9310	13329		-	em,uw			Fairlead
9315	3009577		-	em,uw			Complete body
9320	3009579		-	em,uw			Jet top
9325	3009543		-	em,uw			Suction group

em=ELECTROMECHANICAL SWITCHES, uw=LOWER AND UPPER WASHER

34HS=34HS

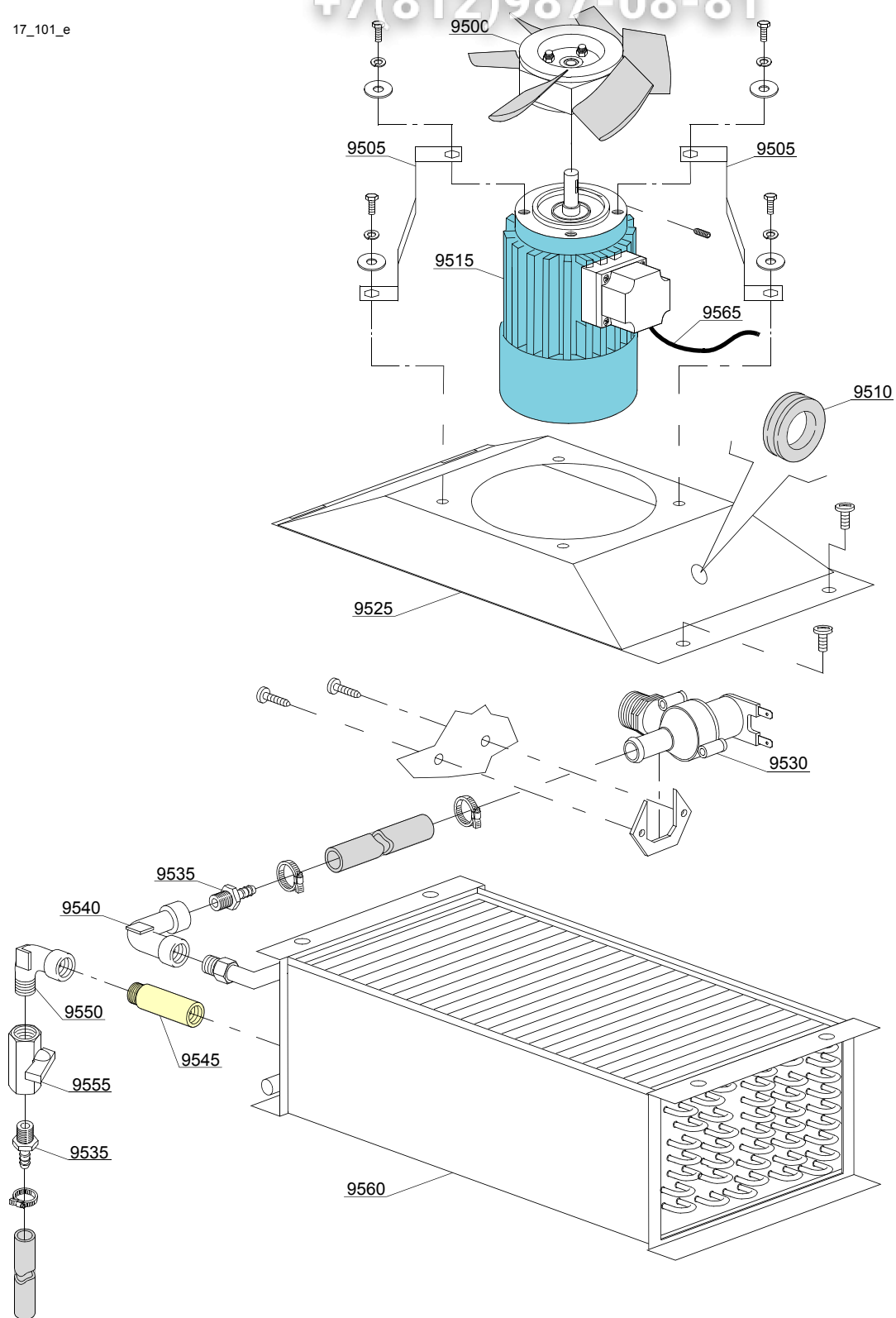
sc8=STEAM CONDENSER - LC 81, csa=CONVEYOR SPEED ADJUSTING - LC 101, 972=90°MOTORIZED CHAIN CONVEYOR - LC 97/2, 973=180°MOTORIZED CHAIN CONVEYOR - LC 97/3, 974=DRYER WITH 90° MOTORIZED CHAIN CONVEYOR - LC 97/4, 975=DRYER WITH 180° MOTORIZED CHAIN CONVEYOR - LC 97/5, d8=DRYER - LC 80, cw=ADDITIONAL BOILER FOR COLD WATER SUPPLY, dvgw=DVGW VALVE SYSTEM, wfa=WATER FLOW ADJUSTING, szc8=SPLASH ZONE WITH CILINDER - LC 84, sz8=SPLASH ZONE - LC 83, ti=TANK INSULATION, ds=DOUBLE SKIN, bp=BOOSTER PUMP, sdn3=DISPENSER SYSTEM SDN-3, 98=ANGLE LOADING TABLE - LC 98, res=RINSE ECONOMIZER SYSTEM

A=3/N/PE~380-400V 50-60Hz, D=3/PE~200-210V 50-60Hz, F=2/PE~220-240V 50-60Hz, G=3/N/PE~415V 50-60Hz, H=3/PE~220-230V 50-60Hz, K=3/PE~380-400V 50-60Hz, L=3/PE~415V 50-60Hz, M=3/PE~440V 60Hz, P=1/N/PE~220-230V 50-60Hz, R=2/PE~220-240V 50-60Hz, U=1/N/PE~240V 50-60Hz, V=3/PE~240V 50-60Hz, W=1/N/PE~100-110V 50-60Hz

vsezip.ru

+7(812)987-08-81

17\_101\_e



vsezip.ru

ID	P-code	SN from	SN to	Mod.	Acces.	Volt	Description
<b>Module: Steam condenser LC81 / TR81 - part 2 [15]</b>							
9500	3000124		-	em,uw			Impeller fan
9505	3009551		-	em,uw			Motor holder
9510	13329		-	em,uw			Fairlead
9515	3000123		-	em,uw		A	Motor - 0,12KW 2P 230/400V 50HZ
9525	3009583		-	em,uw			Steam condenser base
9530	2000093		-	em,uw			Single solenoid valve
9535	12023		-	em,uw			Hose holder
9540	3002139		-	em,uw			Elbow
9545	3002176		-	em,uw			Extension
9550	12035		-	em,uw			Elbow
9555	3002140		-	em,uw			Tap
9560	3000155		-	em,uw			Heating recovery battery
9565	15184		-	em,uw			Cable

em=ELECTROMECHANICAL SWITCHES, uw=LOWER AND UPPER WASHER

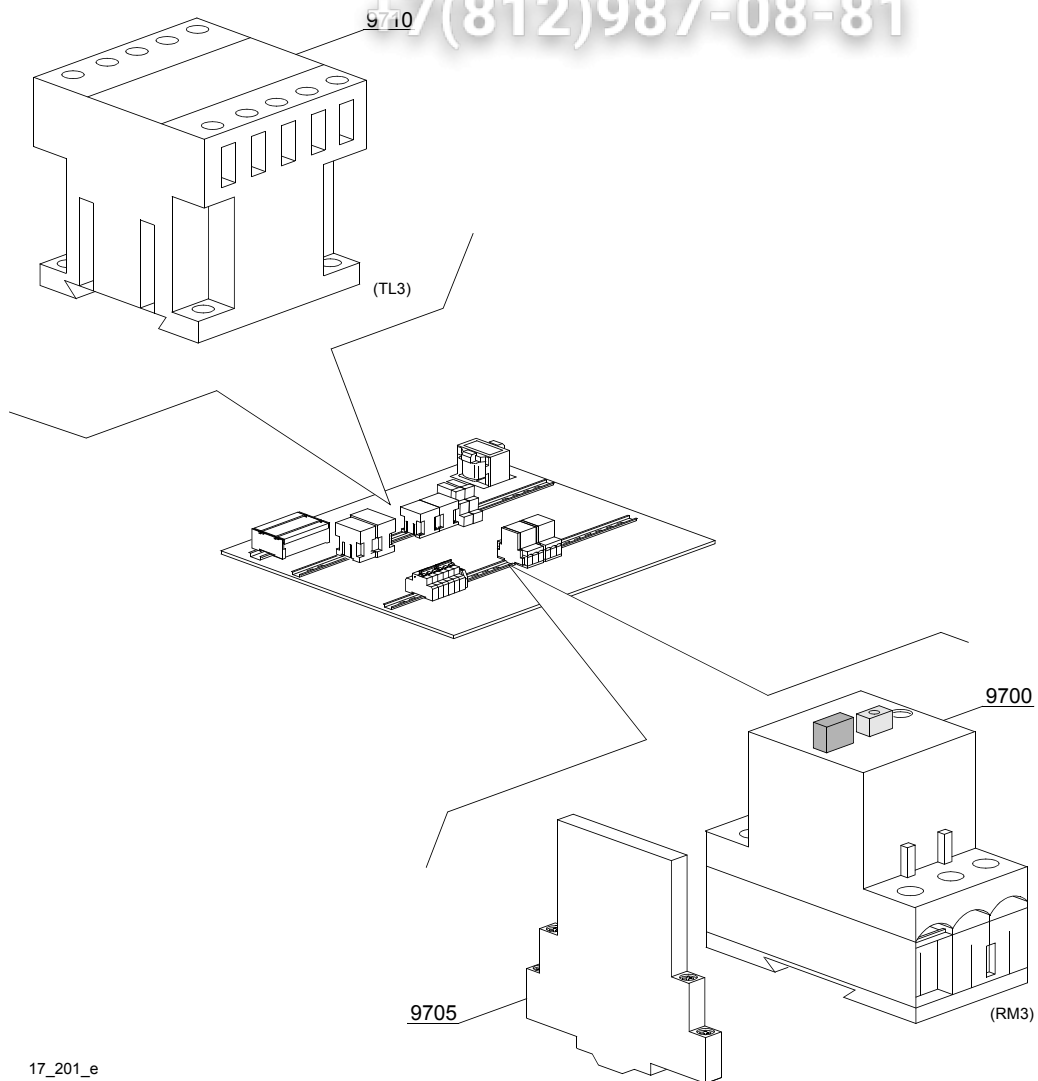
34HS=34HS

sc8=STEAM CONDENSER - LC 81, csa=CONVEYOR SPEED ADJUSTING - LC 101, 972=90°MOTORIZED CHAIN CONVEYOR - LC 97/2, 973=180°MOTORIZED CHAIN CONVEYOR - LC 97/3, 974=DRYER WITH 90° MOTORIZED CHAIN CONVEYOR - LC 97/4, 975=DRYER WITH 180° MOTORIZED CHAIN CONVEYOR - LC 97/5, d8=DRYER - LC 80, cw=ADDITIONAL BOILER FOR COLD WATER SUPPLY, dvgw=DVGW VALVE SYSTEM, wfa=WATER FLOW ADJUSTING, szc8=SPLASH ZONE WITH CILINDER - LC 84, sz8=SPLASH ZONE - LC 83, ti=TANK INSULATION, ds=DOUBLE SKIN, bp=BOOSTER PUMP, sdn3=DISPENSER SYSTEM SDN-3, 98=ANGLE LOADING TABLE - LC 98, res=RINSE ECONOMIZER SYSTEM

A=3/N/PE~380-400V 50-60Hz, D=3/PE~200-210V 50-60Hz, F=2/PE~220-240V 50-60Hz, G=3/N/PE~415V 50-60Hz, H=3/PE~220-230V 50-60Hz, K=3/PE~380-400V 50-60Hz, L=3/PE~415V 50-60Hz, M=3/PE~440V 60Hz, P=1/N/PE~220-230V 50-60Hz, R=2/PE~220-240V 50-60Hz, U=1/N/PE~240V 50-60Hz, V=3/PE~240V 50-60Hz, W=1/N/PE~100-110V 50-60Hz

vsezip.ru

+7(812)987-08-81



17\_201\_e

vsezip.ru

ID	P-code	SN from	SN to	Mod.	Acces.	Volt	Description
<b>Module: Steam condenser LC81 - part 3 [151]</b>							
9700	2000390		-	em,uw		A	Motorprotector 1 - 1.6A
9705	3006080		-	em,uw		A	Auxiliary contact LMS25
9710	2000370		-	em,uw		A	Contactora MC9

em=ELECTROMECHANICAL SWITCHES, uw=LOWER AND UPPER WASHER

34HS=34HS

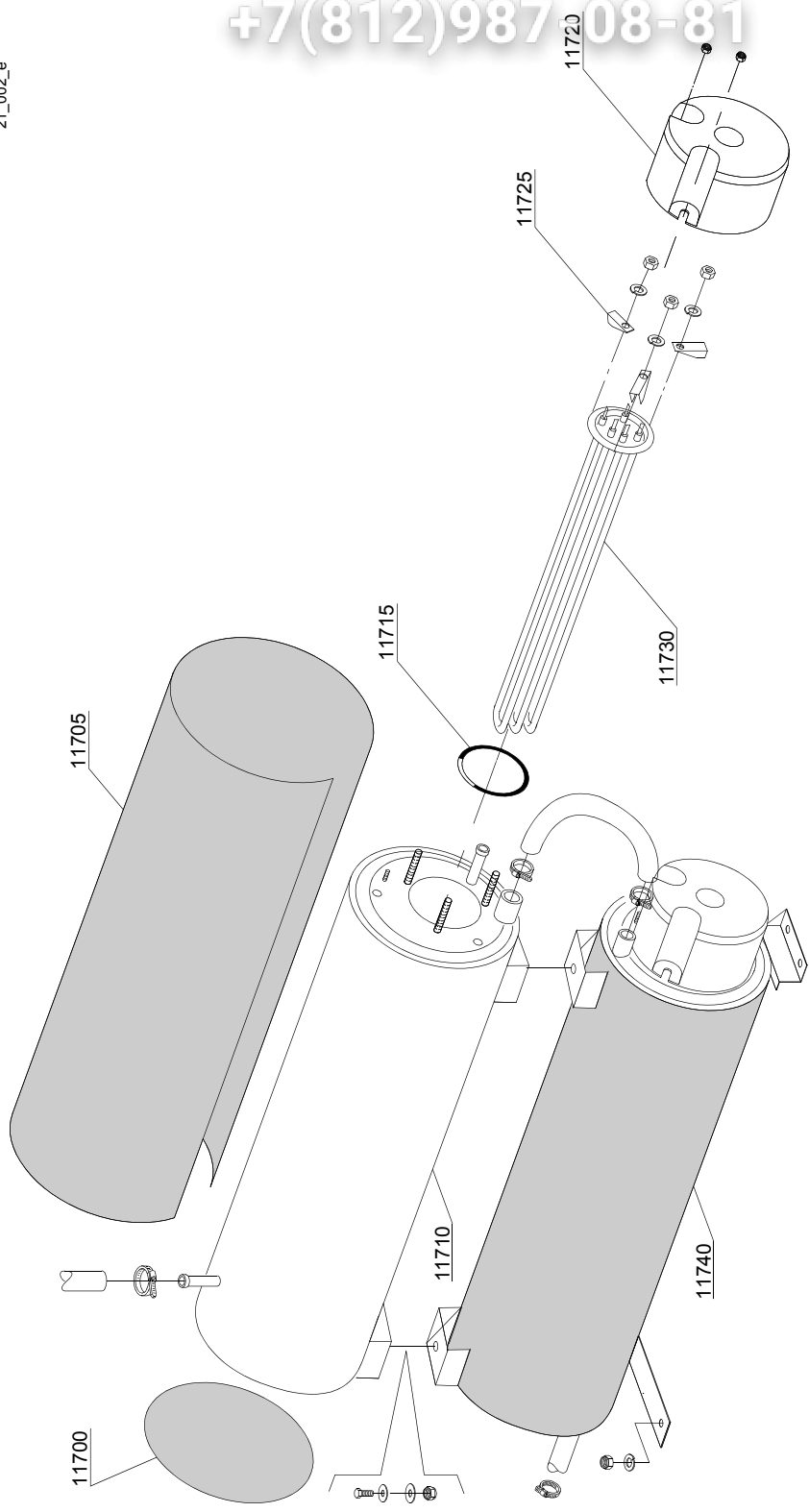
sc8=STEAM CONDENSER - LC 81, csa=CONVEYOR SPEED ADJUSTING - LC 101, 972=90°MOTORIZED CHAIN CONVEYOR - LC 97/2, 973=180°MOTORIZED CHAIN CONVEYOR - LC 97/3, 974=DRYER WITH 90° MOTORIZED CHAIN CONVEYOR - LC 97/4, 975=DRYER WITH 180° MOTORIZED CHAIN CONVEYOR - LC 97/5, d8=DRYER - LC 80, cw=ADDITIONAL BOILER FOR COLD WATER SUPPLY, dvgw=DVGW VALVE SYSTEM, wfa=WATER FLOW ADJUSTING, szc8=SPLASH ZONE WITH CILINDER - LC 84, sz8=SPLASH ZONE - LC 83, ti=TANK INSULATION, ds=DOUBLE SKIN, bp=BOOSTER PUMP, sdn3=DISPENSER SYSTEM SDN-3, 98=ANGLE LOADING TABLE - LC 98, res=RINSE ECONOMIZER SYSTEM

A=3/N/PE~380-400V 50-60Hz, D=3/PE~200-210V 50-60Hz, F=2/PE~220-240V 50-60Hz, G=3/N/PE~415V 50-60Hz, H=3/PE~220-230V 50-60Hz, K=3/PE~380-400V 50-60Hz, L=3/PE~415V 50-60Hz, M=3/PE~440V 60Hz, P=1/N/PE~220-230V 50-60Hz, R=2/PE~220-240V 50-60Hz, U=1/N/PE~240V 50-60Hz, V=3/PE~240V 50-60Hz, W=1/N/PE~100-110V 50-60Hz

vsezip.ru

+7(812)987 08-81

21\_002\_e



vsezip.ru

ID	P-code	SN from	SN to	Mod.	Acces.	Volt	Description
<b>Module: Additional boiler components [151,160,210]</b>							
11700	75205		-	em,uw			Bottom boiler insulating
11705	30002030		-	em,uw			Boiler insulating
11710	3007013		-	em,uw			Upper Boiler
11715	13015		-	em,uw			O-ring 160 (6225)
11720	75311		-	em,uw			Heating element cover
11725	16045		-	em,uw			Heating element support Ø6,3
11730	30001011		-	em,uw		A	Heating element 9kW
11730	30001011/A		-	em,uw		A	Heating element 12kW
11730	30001011/B		-	em,uw		A	Heating element 14kW
11740	3007012		-	em,uw			Low Boiler

em=ELECTROMECHANICAL SWITCHES, uw=LOWER AND UPPER WASHER

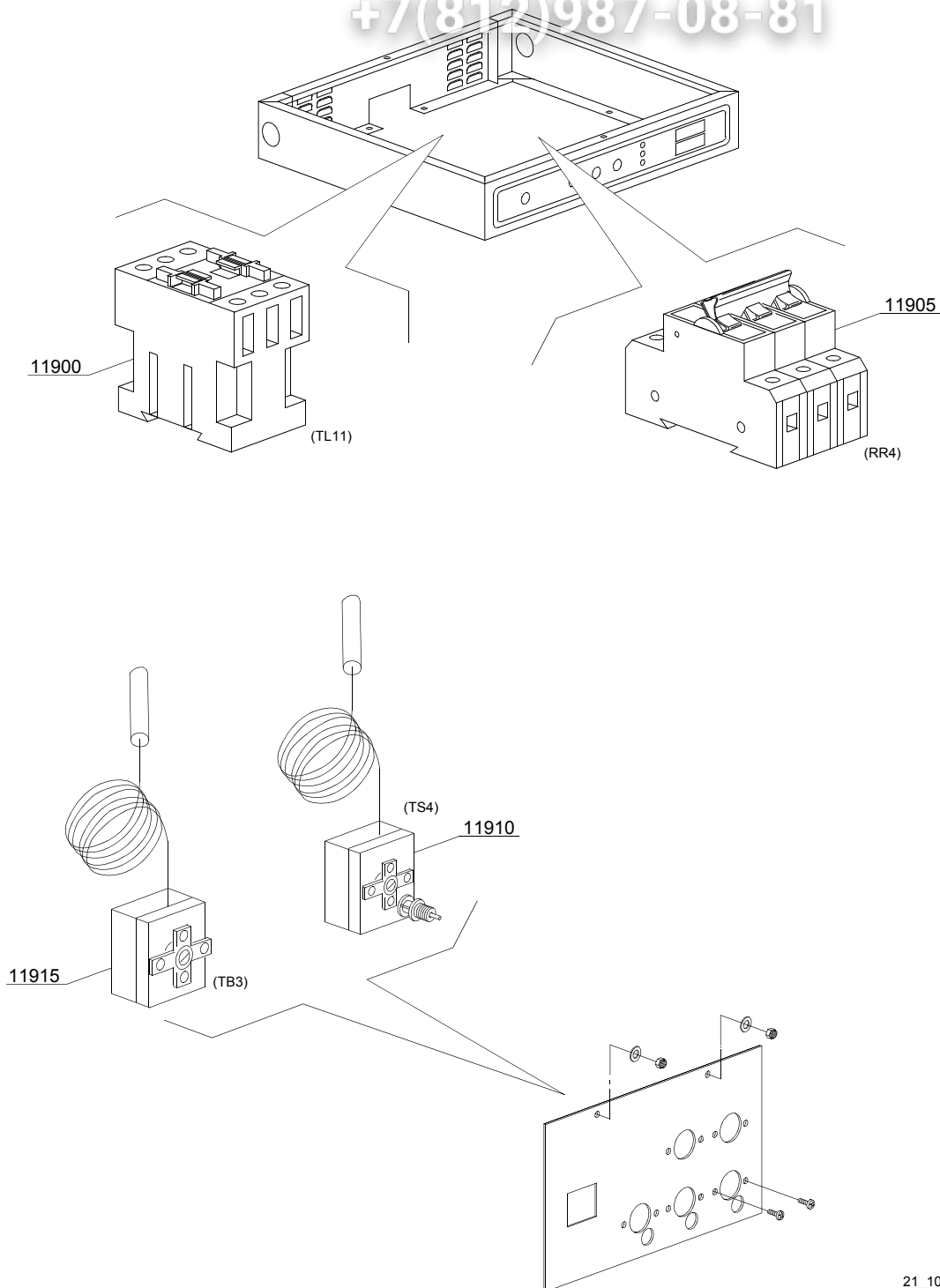
34HS=34HS

sc8=STEAM CONDENSER - LC 81, csa=CONVEYOR SPEED ADJUSTING - LC 101, 972=90°MOTORIZED CHAIN CONVEYOR - LC 97/2, 973=180°MOTORIZED CHAIN CONVEYOR - LC 97/3, 974=DRYER WITH 90° MOTORIZED CHAIN CONVEYOR - LC 97/4, 975=DRYER WITH 180° MOTORIZED CHAIN CONVEYOR - LC 97/5, d8=DRYER - LC 80, cw=ADDITIONAL BOILER FOR COLD WATER SUPPLY, dvgw=DVGW VALVE SYSTEM, wfa=WATER FLOW ADJUSTING, szc8=SPLASH ZONE WITH CILINDER - LC 84, sz8=SPLASH ZONE - LC 83, ti=TANK INSULATION, ds=DOUBLE SKIN, bp=BOOSTER PUMP, sdn3=DISPENSER SYSTEM SDN-3, 98=ANGLE LOADING TABLE - LC 98, res=RINSE ECONOMIZER SYSTEM

A=3/N/PE~380-400V 50-60Hz, D=3/PE~200-210V 50-60Hz, F=2/PE~220-240V 50-60Hz, G=3/N/PE~415V 50-60Hz, H=3/PE~220-230V 50-60Hz, K=3/PE~380-400V 50-60Hz, L=3/PE~415V 50-60Hz, M=3/PE~440V 60Hz, P=1/N/PE~220-230V 50-60Hz, R=2/PE~220-240V 50-60Hz, U=1/N/PE~240V 50-60Hz, V=3/PE~240V 50-60Hz, W=1/N/PE~100-110V 50-60Hz

vsezip.ru

+7(812)987-08-81



21\_102\_e



ID	P-code	SN from	SN to	Mod.	Acces.	Volt	Description
<b>Module: Additional boiler: electical components [15, 16, 21, 20, 23, 24]</b>							
11900	2000380		-	em,uw		A	Contactora BF12 (heating element < 9 kW)
11900	2000385		-	em,uw		A	Contactora BF20 (heating element > 9 kW)
11905	2000403		-	em,uw		A	Automatic fuse C20 (heating element < 9 kW)
11905	2000404		-	em,uw		A	Automatic fuse C25 (heating element > 9 kW)
11910	2000430		-	em,uw			Safety thermostat
11915	10707/1		-	em,uw			Thermostat 0 - 90° (TB2)

em=ELECTROMECHANICAL SWITCHES, uw=LOWER AND UPPER WASHER

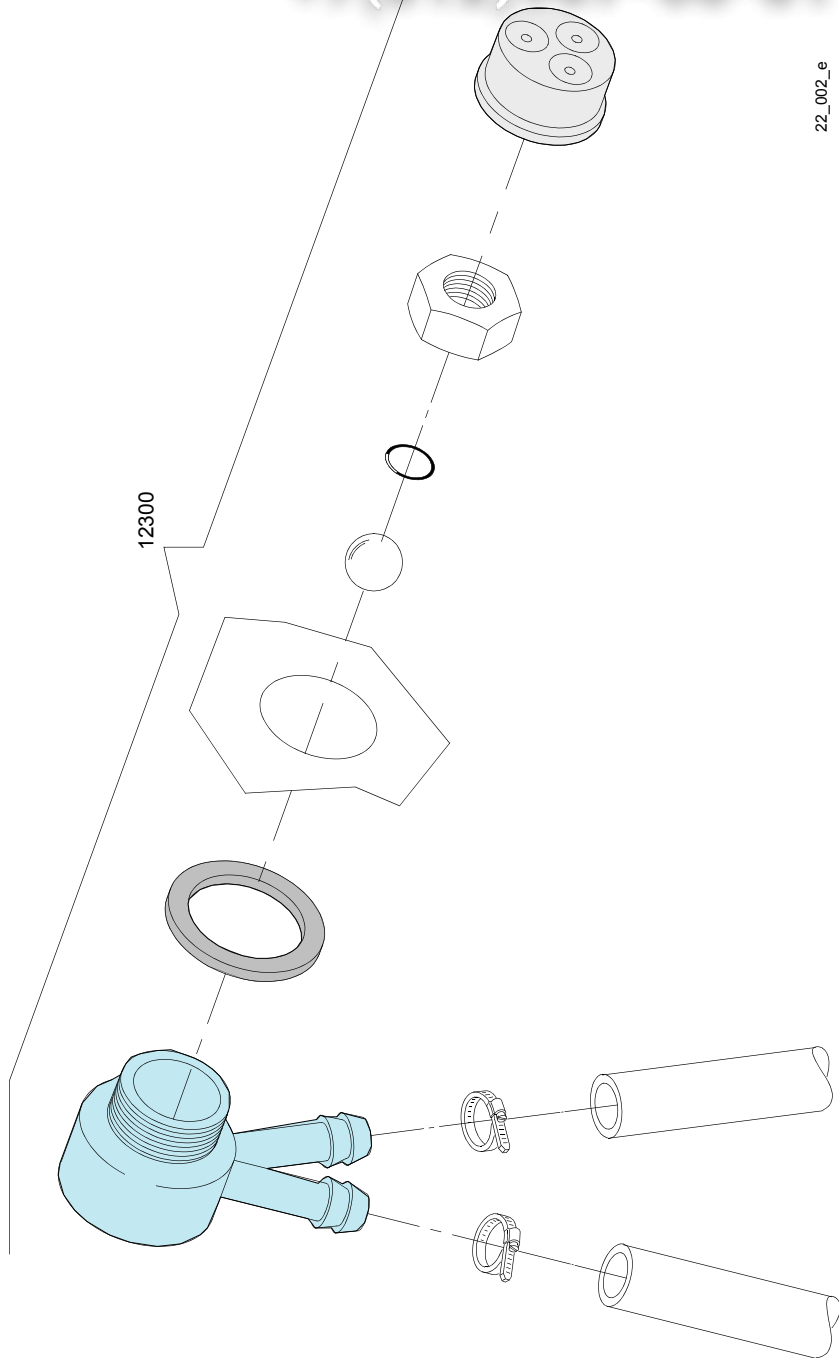
34HS=34HS

sc8=STEAM CONDENSER - LC 81, csa=CONVEYOR SPEED ADJUSTING - LC 101, 972=90°MOTORIZED CHAIN CONVEYOR - LC 97/2, 973=180°MOTORIZED CHAIN CONVEYOR - LC 97/3, 974=DRYER WITH 90° MOTORIZED CHAIN CONVEYOR - LC 97/4, 975=DRYER WITH 180° MOTORIZED CHAIN CONVEYOR - LC 97/5, d8=DRYER - LC 80, cw=ADDITIONAL BOILER FOR COLD WATER SUPPLY, dvgw=DVGW VALVE SYSTEM, wfa=WATER FLOW ADJUSTING, szc8=SPLASH ZONE WITH CILINDER - LC 84, sz8=SPLASH ZONE - LC 83, ti=TANK INSULATION, ds=DOUBLE SKIN, bp=BOOSTER PUMP, sdn3=DISPENSER SYSTEM SDN-3, 98=ANGLE LOADING TABLE - LC 98, res=RINSE ECONOMIZER SYSTEM

A=3/N/PE~380-400V 50-60Hz, D=3/PE~200-210V 50-60Hz, F=2/PE~220-240V 50-60Hz, G=3/N/PE~415V 50-60Hz, H=3/PE~220-230V 50-60Hz, K=3/PE~380-400V 50-60Hz, L=3/PE~415V 50-60Hz, M=3/PE~440V 60Hz, P=1/N/PE~220-230V 50-60Hz, R=2/PE~220-240V 50-60Hz, U=1/N/PE~240V 50-60Hz, V=3/PE~240V 50-60Hz, W=1/N/PE~100-110V 50-60Hz

vsezip.ru

+7(812)987-08-81



vsezip.ru

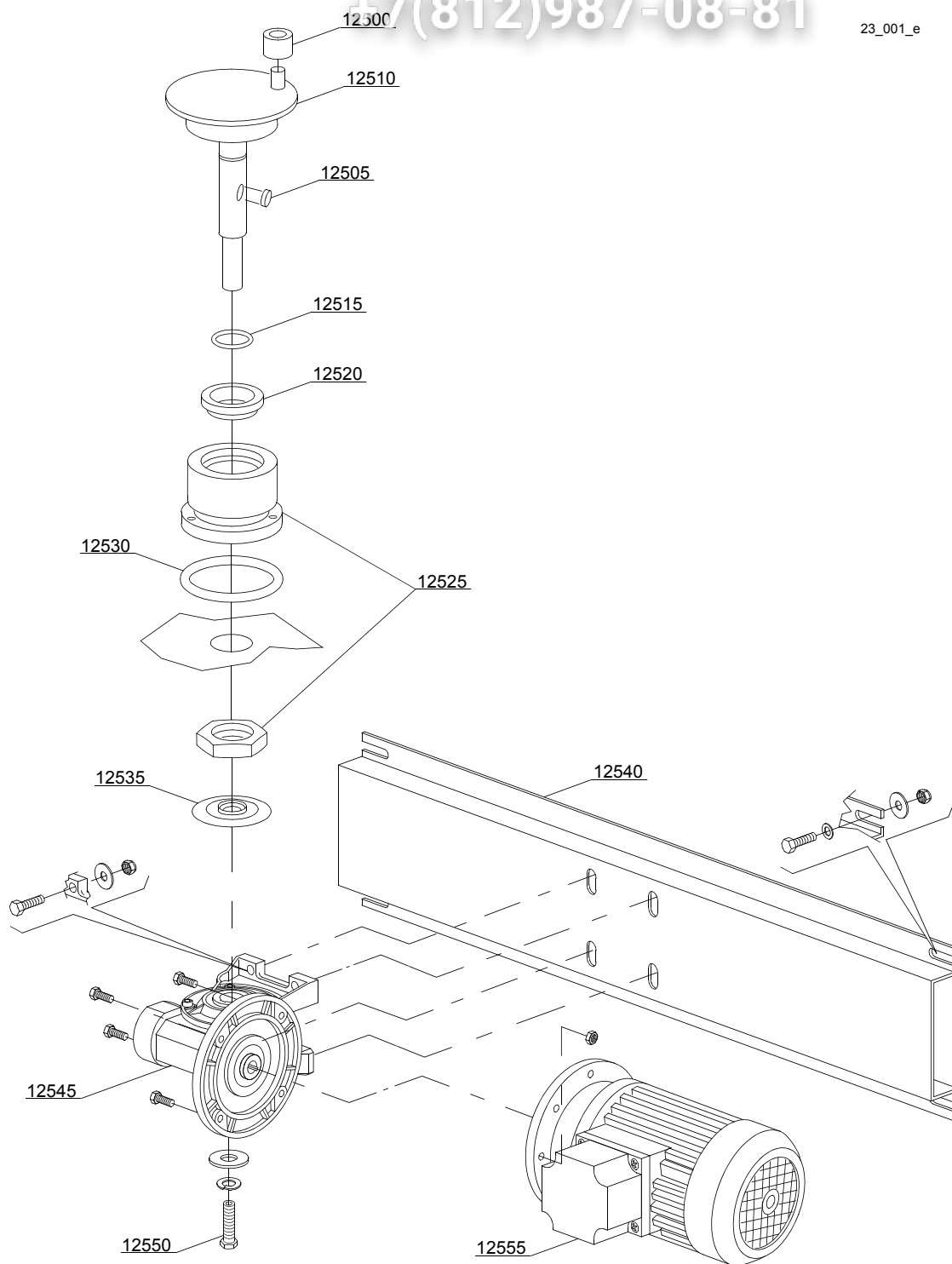
ID	P-code	SN from	SN to	Mod.	Acces.	Volt	Description
<b>Module:DVGW valve</b>							
<b>[151,160,210,220,230,240,250,300,300LC,310,310LC,380,380LC,400,440,440LC,510,510LC,540,540LC,BX230,BX300]</b>							
12300	999900006		-	em,uw			DVGW valvola assembly

em=ELECTROMECHANICAL SWITCHES, uw=LOWER AND UPPER WASHER

34HS=34HS

sc8=STEAM CONDENSER - LC 81, csa=CONVEYOR SPEED ADJUSTING - LC 101, 972=90°MOTORIZED CHAIN CONVEYOR - LC 97/2, 973=180°MOTORIZED CHAIN CONVEYOR - LC 97/3, 974=DRYER WITH 90° MOTORIZED CHAIN CONVEYOR - LC 97/4, 975=DRYER WITH 180° MOTORIZED CHAIN CONVEYOR - LC 97/5, d8=DRYER - LC 80, cw=ADDITIONAL BOILER FOR COLD WATER SUPPLY, dvgw=DVGW VALVE SYSTEM, wfa=WATER FLOW ADJUSTING, szc8=SPLASH ZONE WITH CILINDER - LC 84, sz8=SPLASH ZONE - LC 83, ti=TANK INSULATION, ds=DOUBLE SKIN, bp=BOOSTER PUMP, sdn3=DISPENSER SYSTEM SDN-3, 98=ANGLE LOADING TABLE - LC 98, res=RINSE ECONOMIZER SYSTEM

A=3/N/PE~380-400V 50-60Hz, D=3/PE~200-210V 50-60Hz, F=2/PE~220-240V 50-60Hz, G=3/N/PE~415V 50-60Hz, H=3/PE~220-230V 50-60Hz, K=3/PE~380-400V 50-60Hz, L=3/PE~415V 50-60Hz, M=3/PE~440V 60Hz, P=1/N/PE~220-230V 50-60Hz, R=2/PE~220-240V 50-60Hz, U=1/N/PE~240V 50-60Hz, V=3/PE~240V 50-60Hz, W=1/N/PE~100-110V 50-60Hz



ID	P-code	SN from	SN to	Mod.	Acces.	Volt	Description
<b>Module:Motorgear components [151]</b>							
12500	3003012		-	em,uw			Conveyor roller
12505	2001046		-	em,uw			Key
12510	3003116		-	em,uw			Crank shaft
12515	13023		-	em,uw			O-ring 131 (4093)
12520	13024		-	em,uw			Oil splash guard DEM 40 TC 30x42x7 with spring
12525	3004132		-	em,uw			Coupling part serie
12530	13015		-	em,uw			O-ring 160 (6225)
12535	3004161		-	em,uw			Protection disk
12540	3009060		-	em,uw			Motorgear support
12545	3000214		-	em,uw			Gear right 1:45 (60Hz)
12545	3000215		-	em,uw			Gear left 1:45 (60Hz)
12550	11165		-	em,uw			Screw
12555	3000110		-	em,uw		A	Conveyor motor - 6/8P 400/415V 50Hz

em=ELECTROMECHANICAL SWITCHES, uw=LOWER AND UPPER WASHER

34HS=34HS

sc8=STEAM CONDENSER - LC 81, csa=CONVEYOR SPEED ADJUSTING - LC 101, 972=90°MOTORIZED CHAIN CONVEYOR - LC 97/2, 973=180°MOTORIZED CHAIN CONVEYOR - LC 97/3, 974=DRYER WITH 90° MOTORIZED CHAIN CONVEYOR - LC 97/4, 975=DRYER WITH 180° MOTORIZED CHAIN CONVEYOR - LC 97/5, d8=DRYER - LC 80, cw=ADDITIONAL BOILER FOR COLD WATER SUPPLY, dvgw=DVGW VALVE SYSTEM, wfa=WATER FLOW ADJUSTING, szc8=SPLASH ZONE WITH CILINDER - LC 84, sz8=SPLASH ZONE - LC 83, ti=TANK INSULATION, ds=DOUBLE SKIN, bp=BOOSTER PUMP, sdn3=DISPENSER SYSTEM SDN-3, 98=ANGLE LOADING TABLE - LC 98, res=RINSE ECONOMIZER SYSTEM

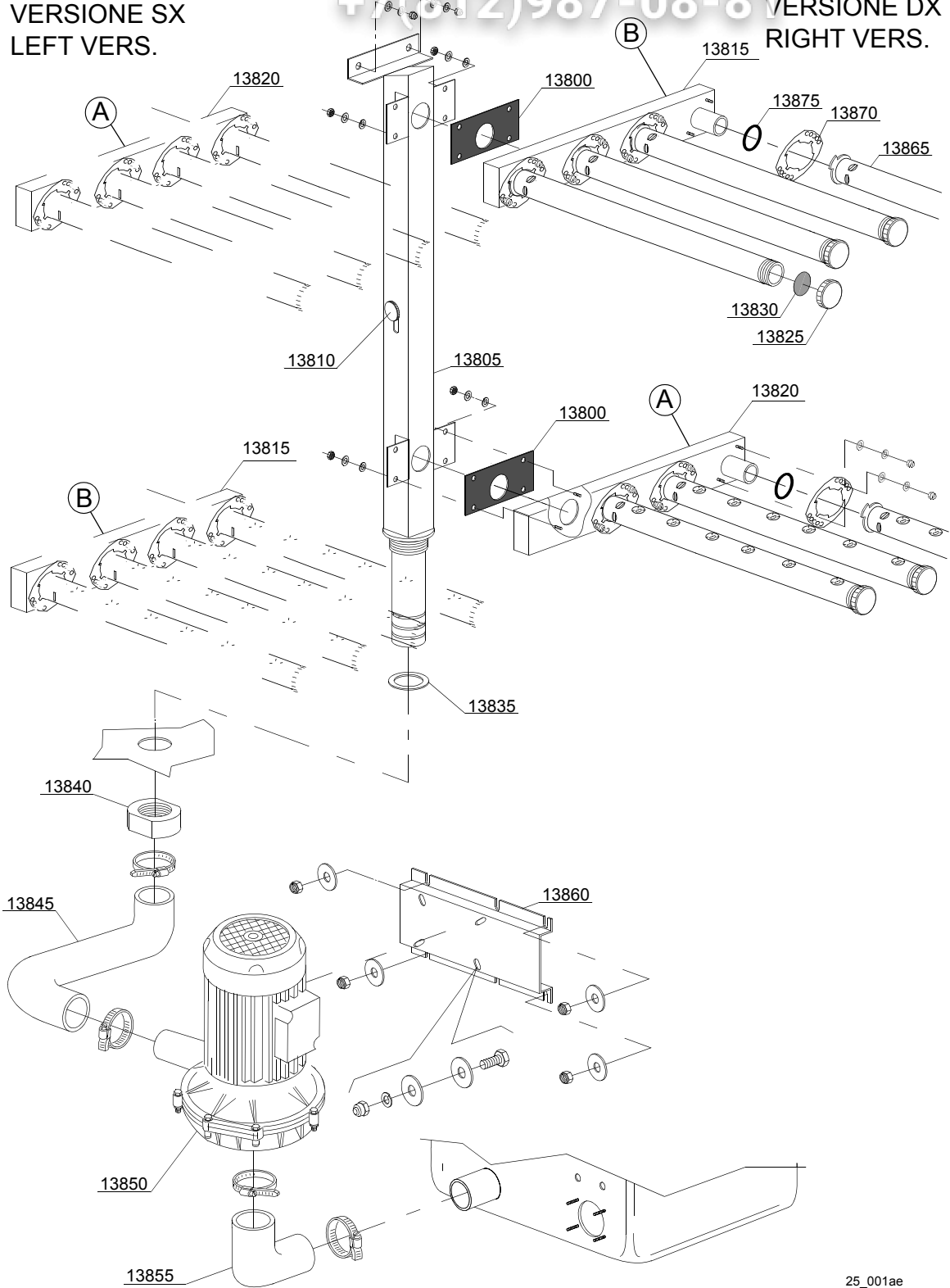
A=3/N/PE~380-400V 50-60Hz, D=3/PE~200-210V 50-60Hz, F=2/PE~220-240V 50-60Hz, G=3/N/PE~415V 50-60Hz, H=3/PE~220-230V 50-60Hz, K=3/PE~380-400V 50-60Hz, L=3/PE~415V 50-60Hz, M=3/PE~440V 60Hz, P=1/N/PE~220-230V 50-60Hz, R=2/PE~220-240V 50-60Hz, U=1/N/PE~240V 50-60Hz, V=3/PE~240V 50-60Hz, W=1/N/PE~100-110V 50-60Hz

vsezip.ru

+7(812)987-08-81

VERSIONE SX  
LEFT VERS.

VERSIONE DX  
RIGHT VERS.



25\_001ae

vsezip.ru

ID	P-code	SN from	SN to	Mod.	Acces.	Volt	Description
<b>Module: Washing components 4+4 [151]</b>							
13800	3004172	5007451	-	em,uw			Gasket
13805	3004169	5007451	-	em,uw			Wash ramp
13810	15207	5007451	-	em,uw			Water flow adjuster
13815	3004173	5007451	-	em,uw			Top wash group
13820	3004170	5007451	-	em,uw			Lower wash group
13825	80304	5007451	-	em,uw			Arm plug
13830	80305	5007451	-	em,uw			Gasket
13835	10200173/A	5007451	-	em,uw			Gasket 75x58x3
13840	5210798	5007451	-	em,uw			Flat nut
13845	3004083	5007451	-	em,uw			Elbow coupling, press.
13850	22037	5007451	-	em,uw		A	Pump 1.5 kW
13850	22037/3	5007451	-	em,uw		H	Pump 1.5 kW - 60 Hz
13855	5210578	5007451	-	em,uw			Suction elbow coupling
13860	3009148	5007451	-	em,uw			Pump support
13865	3004171	5007451	-	em,uw			Wash arm
13870	3060182	5007451	-	em,uw			Arm connection flange
13875	13028	5007451	-	em,uw			OR Gasket 3,6x30,8x38 R23

em=ELECTROMECHANICAL SWITCHES, uw=LOWER AND UPPER WASHER

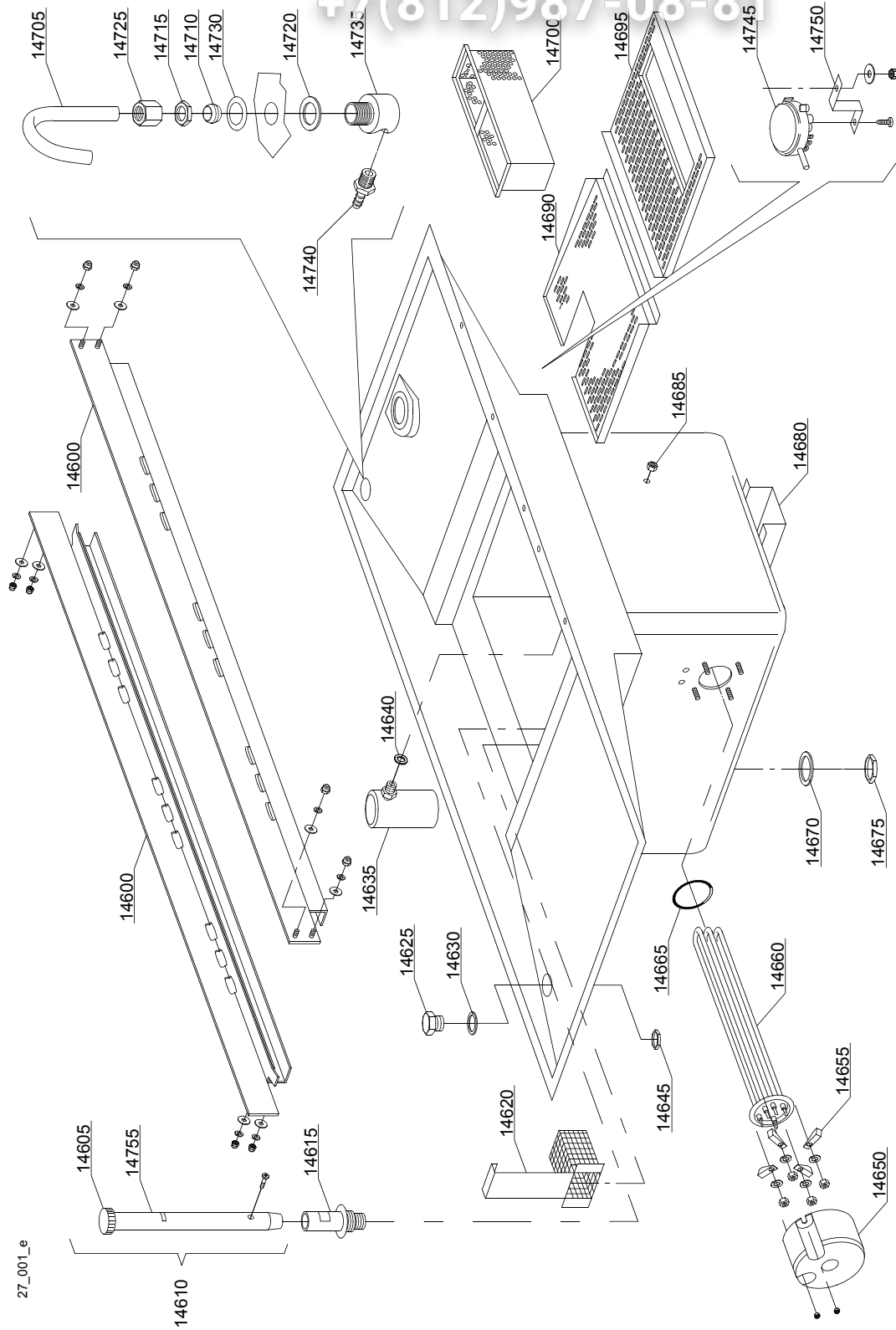
34HS=34HS

sc8=STEAM CONDENSER - LC 81, csa=CONVEYOR SPEED ADJUSTING - LC 101, 972=90°MOTORIZED CHAIN CONVEYOR - LC 97/2, 973=180°MOTORIZED CHAIN CONVEYOR - LC 97/3, 974=DRYER WITH 90° MOTORIZED CHAIN CONVEYOR - LC 97/4, 975=DRYER WITH 180° MOTORIZED CHAIN CONVEYOR - LC 97/5, d8=DRYER - LC 80, cw=ADDITIONAL BOILER FOR COLD WATER SUPPLY, dvgw=DVGW VALVE SYSTEM, wfa=WATER FLOW ADJUSTING, szc8=SPLASH ZONE WITH CILINDER - LC 84, sz8=SPLASH ZONE - LC 83, ti=TANK INSULATION, ds=DOUBLE SKIN, bp=BOOSTER PUMP, sdn3=DISPENSER SYSTEM SDN-3, 98=ANGLE LOADING TABLE - LC 98, res=RINSE ECONOMIZER SYSTEM

A=3/N/PE~380-400V 50-60Hz, D=3/PE~200-210V 50-60Hz, F=2/PE~220-240V 50-60Hz, G=3/N/PE~415V 50-60Hz, H=3/PE~220-230V 50-60Hz, K=3/PE~380-400V 50-60Hz, L=3/PE~415V 50-60Hz, M=3/PE~440V 60Hz, P=1/N/PE~220-230V 50-60Hz, R=2/PE~220-240V 50-60Hz, U=1/N/PE~240V 50-60Hz, V=3/PE~240V 50-60Hz, W=1/N/PE~100-110V 50-60Hz

vsezip.ru

+7(812)987-08-81



27\_001\_e



ID	P-code	SN from	SN to	Mod.	Acces	Volt	Description
<b>Module: Internal components [151]</b>							
14600	3009050		-	em,uw			Basket-slide bar
14605	88105		-	em,uw			Overflow pipe plug
14610	3004115		-	em,uw			Overflow pipe assembly
14615	3004099		-	em,uw			Overflow device support
14620	3019071		-	em,uw			Pump suction-filter
14625	3004087		-	em,uw			Plug for tank
14630	13326		-	em,uw			Gasket 38x27x2
14635	80106		-	em,uw			Air trap
14640	13301		-	em,uw			Gasket ROLMART 14x8x1.5
14645	2200103		-	em,uw			Nut
14650	75311		-	em,uw			Heating element cover
14655	16045		-	em,uw			Heating element support Ø6.3
14660	30001011		-	em,uw		A	Heating element 9kW
14660	30001011/A		-	em,uw		A	Heating element 9kW
14665	13015		-	em,uw			O-ring 160 (6225)
14670	10200173		-	em,uw			Gasket 75x58x3
14675	10600012		-	em,uw			Flat nut
14680	3009461		-	em,uw			Tank support
14685	11702		-	em,uw			Nut
14690	3009464		-	em,uw			Semi-filter
14695	3019074		-	em,uw			Strainer plate front
14700	3019065		-	em,uw			Scrap tray
14705	3004054		-	em,uw			Inlet pipe
14710	10200182		-	em,uw			Cone
14715	10200101		-	em,uw			Nut
14720	10200171		-	em,uw			Gasket FASIT 25x17x2
14725	10600016		-	em,uw			Nut
14730	3009387		-	em,uw			Washer

em=ELECTROMECHANICAL SWITCHES, uw=LOWER AND UPPER WASHER

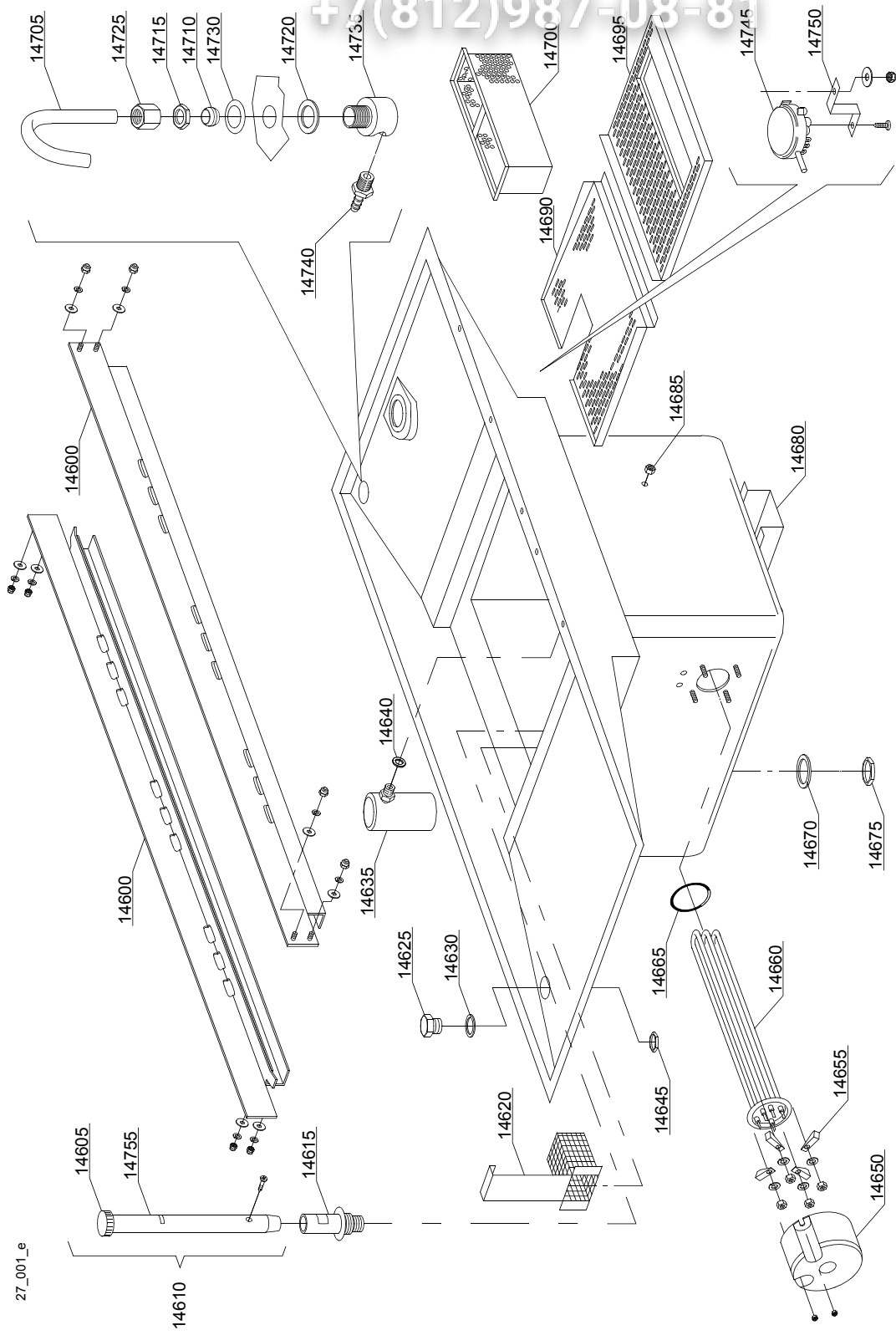
34HS=34HS

sc8=STEAM CONDENSER - LC 81, csa=CONVEYOR SPEED ADJUSTING - LC 101, 972=90°MOTORIZED CHAIN CONVEYOR - LC 97/2, 973=180°MOTORIZED CHAIN CONVEYOR - LC 97/3, 974=DRYER WITH 90° MOTORIZED CHAIN CONVEYOR - LC 97/4, 975=DRYER WITH 180° MOTORIZED CHAIN CONVEYOR - LC 97/5, d8=DRYER - LC 80, cw=ADDITIONAL BOILER FOR COLD WATER SUPPLY, dvgw=DVGW VALVE SYSTEM, wfa=WATER FLOW ADJUSTING, szc8=SPLASH ZONE WITH CILINDER - LC 84, sz8=SPLASH ZONE - LC 83, ti=TANK INSULATION, ds=DOUBLE SKIN, bp=BOOSTER PUMP, sdn3=DISPENSER SYSTEM SDN-3, 98=ANGLE LOADING TABLE - LC 98, res=RINSE ECONOMIZER SYSTEM

A=3/N/PE~380-400V 50-60Hz, D=3/PE~200-210V 50-60Hz, F=2/PE~220-240V 50-60Hz, G=3/N/PE~415V 50-60Hz, H=3/PE~220-230V 50-60Hz, K=3/PE~380-400V 50-60Hz, L=3/PE~415V 50-60Hz, M=3/PE~440V 60Hz, P=1/N/PE~220-230V 50-60Hz, R=2/PE~220-240V 50-60Hz, U=1/N/PE~240V 50-60Hz, V=3/PE~240V 50-60Hz, W=1/N/PE~100-110V 50-60Hz

vsezip.ru

+7(812)987-08-81



27\_001\_e

vsezip.ru

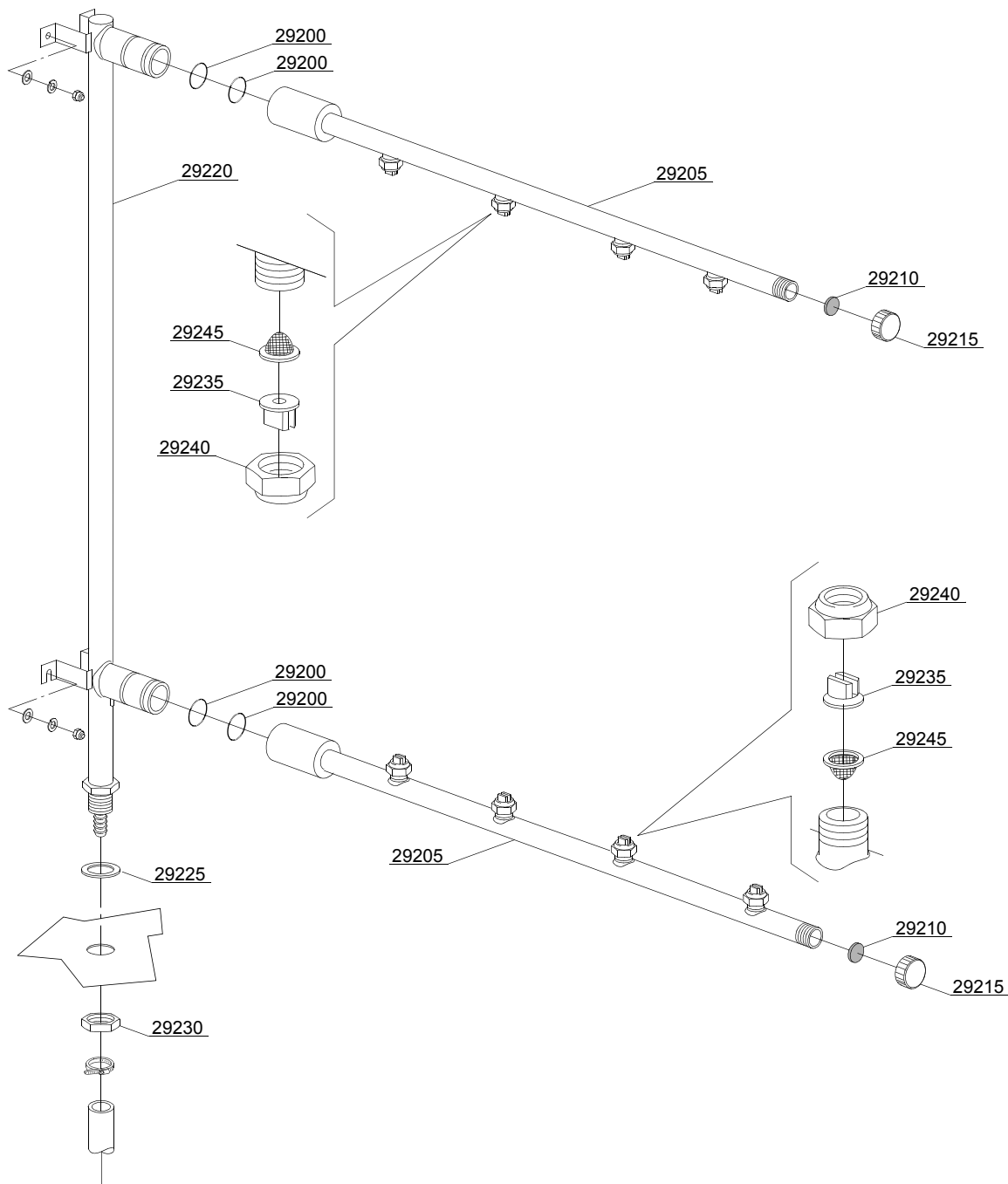
ID	P-code	SN from	SN to	Mod.	Acces	Volt	Description
<b>Module: Internal components [151]</b>							
14735	80231		-	em,uw			Fitting
14740	12005		-	em,uw			Hose holder
14745	88110		-	em,uw			Pressure switch (260-30)
14750	3009363			em,uw			Pressure switch support
14755	2000477			em,uw			Overflow pipe

em=ELECTROMECHANICAL SWITCHES, uw=LOWER AND UPPER WASHER

34HS=34HS

sc8=STEAM CONDENSER - LC 81, csa=CONVEYOR SPEED ADJUSTING - LC 101, 972=90°MOTORIZED CHAIN CONVEYOR - LC 97/2, 973=180°MOTORIZED CHAIN CONVEYOR - LC 97/3, 974=DRYER WITH 90° MOTORIZED CHAIN CONVEYOR - LC 97/4, 975=DRYER WITH 180° MOTORIZED CHAIN CONVEYOR - LC 97/5, d8=DRYER - LC 80, cw=ADDITIONAL BOILER FOR COLD WATER SUPPLY, dvgw=DVGW VALVE SYSTEM, wfa=WATER FLOW ADJUSTING, szc8=SPLASH ZONE WITH CILINDER - LC 84, sz8=SPLASH ZONE - LC 83, ti=TANK INSULATION, ds=DOUBLE SKIN, bp=BOOSTER PUMP, sdn3=DISPENSER SYSTEM SDN-3, 98=ANGLE LOADING TABLE - LC 98, res=RINSE ECONOMIZER SYSTEM

A=3/N/PE~380-400V 50-60Hz, D=3/PE~200-210V 50-60Hz, F=2/PE~220-240V 50-60Hz, G=3/N/PE~415V 50-60Hz, H=3/PE~220-230V 50-60Hz, K=3/PE~380-400V 50-60Hz, L=3/PE~415V 50-60Hz, M=3/PE~440V 60Hz, P=1/N/PE~220-230V 50-60Hz, R=2/PE~220-240V 50-60Hz, U=1/N/PE~240V 50-60Hz, V=3/PE~240V 50-60Hz, W=1/N/PE~100-110V 50-60Hz



vsezip.ru

ID	P-code	SN from	SN to	Mod.	Acces.	Volt	Description
<b>Module:Rinsing components [151]</b>							
29200	13025		-	em,uw			O-ring 2081
29205	3003080		-	em,uw			Rinsing arm 4n
29210	2002051		-	em,uw			Gasket EPDM 17.5x1.5
29215	2002054		-	em,uw			Plug for arm
29220	3003950		-	em,uw			Rinsing ramp
29220	3003954		-	em,uw			Rinsing ramp
29225	13326		-	em,uw			Gasket 38x27x2
29230	2200103		-	em,uw			Nut
29235	2200114		-	em,uw			Nozzle
29240	2200116		-	em,uw			Nut
29245	2200117		-	em,uw			Filter

em=ELECTROMECHANICAL SWITCHES, uw=LOWER AND UPPER WASHER

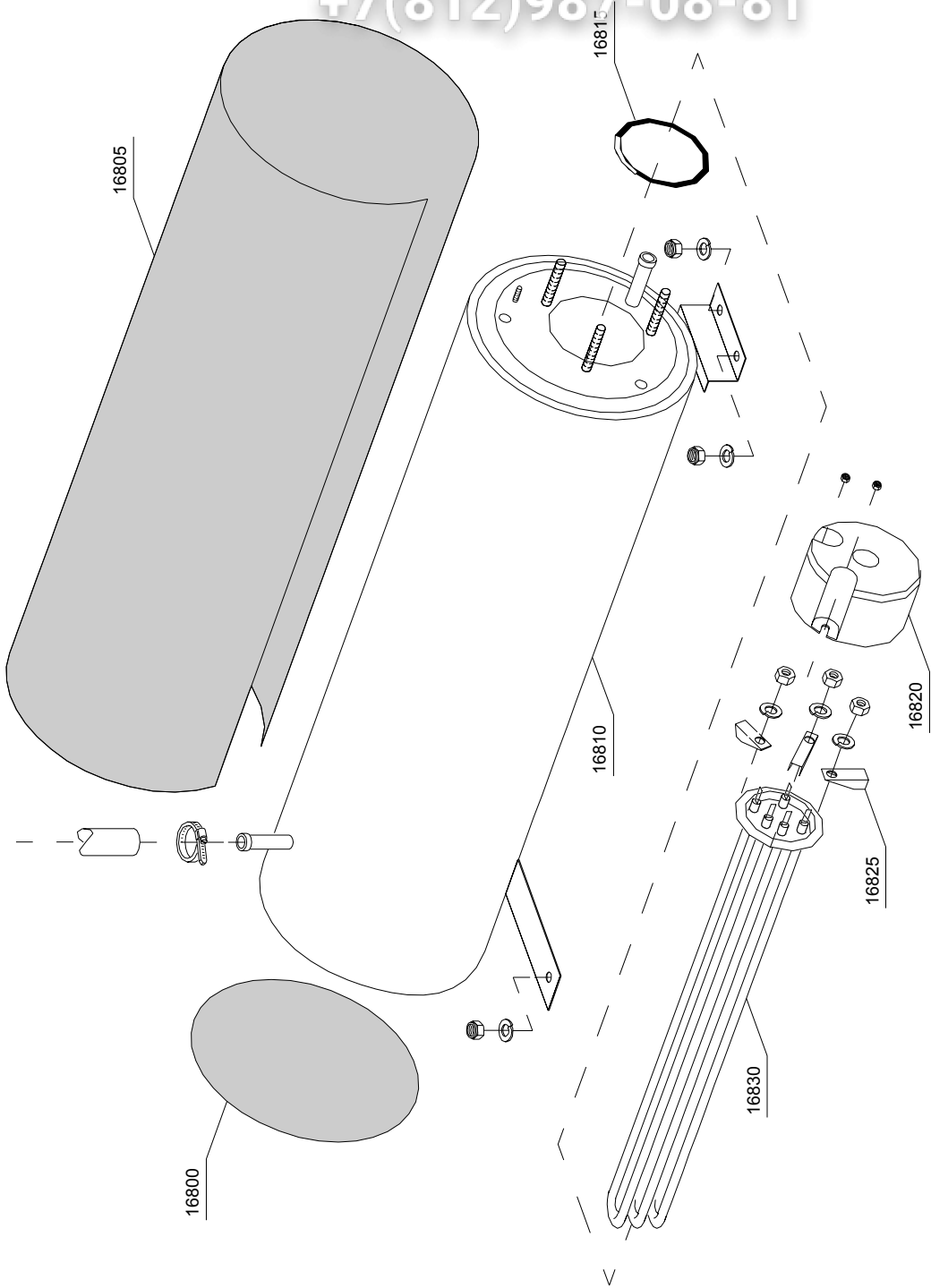
34HS=34HS

sc8=STEAM CONDENSER - LC 81, csa=CONVEYOR SPEED ADJUSTING - LC 101, 972=90°MOTORIZED CHAIN CONVEYOR - LC 97/2, 973=180°MOTORIZED CHAIN CONVEYOR - LC 97/3, 974=DRYER WITH 90° MOTORIZED CHAIN CONVEYOR - LC 97/4, 975=DRYER WITH 180° MOTORIZED CHAIN CONVEYOR - LC 97/5, d8=DRYER - LC 80, cw=ADDITIONAL BOILER FOR COLD WATER SUPPLY, dvgw=DVGW VALVE SYSTEM, wfa=WATER FLOW ADJUSTING, szc8=SPLASH ZONE WITH CILINDER - LC 84, sz8=SPLASH ZONE - LC 83, ti=TANK INSULATION, ds=DOUBLE SKIN, bp=BOOSTER PUMP, sdn3=DISPENSER SYSTEM SDN-3, 98=ANGLE LOADING TABLE - LC 98, res=RINSE ECONOMIZER SYSTEM

A=3/N/PE~380-400V 50-60Hz, D=3/PE~200-210V 50-60Hz, F=2/PE~220-240V 50-60Hz, G=3/N/PE~415V 50-60Hz, H=3/PE~220-230V 50-60Hz, K=3/PE~380-400V 50-60Hz, L=3/PE~415V 50-60Hz, M=3/PE~440V 60Hz, P=1/N/PE~220-230V 50-60Hz, R=2/PE~220-240V 50-60Hz, U=1/N/PE~240V 50-60Hz, V=3/PE~240V 50-60Hz, W=1/N/PE~100-110V 50-60Hz

vsezip.ru

+7(812)987-08-81



28\_201\_e

ID	P-code	SN from	SN to	Mod.	Acces.	Volt	Description
<b>Module:Boiler components [151,160,210,220,230,240]</b>							
16800	75205		-	em,uw			Bottom boiler insulating
16805	30002030		-	em,uw			Boiler insulating
16810	3007014		-	em,uw			Single inferior Boiler
16815	13015		-	em,uw			O-ring 160 (6225)
16820	75311		-	em,uw			Heating element cover
16825	16045		-	em,uw			Heating element support Ø6.3
16830	30001011		-	em,uw		A	Heating element 9kW
16830	30001011/A		-	em,uw		A	Heating element 12kW
16830	30001011/B		-	em,uw		A	Heating element 14kW

em=ELECTROMECHANICAL SWITCHES, uw=LOWER AND UPPER WASHER

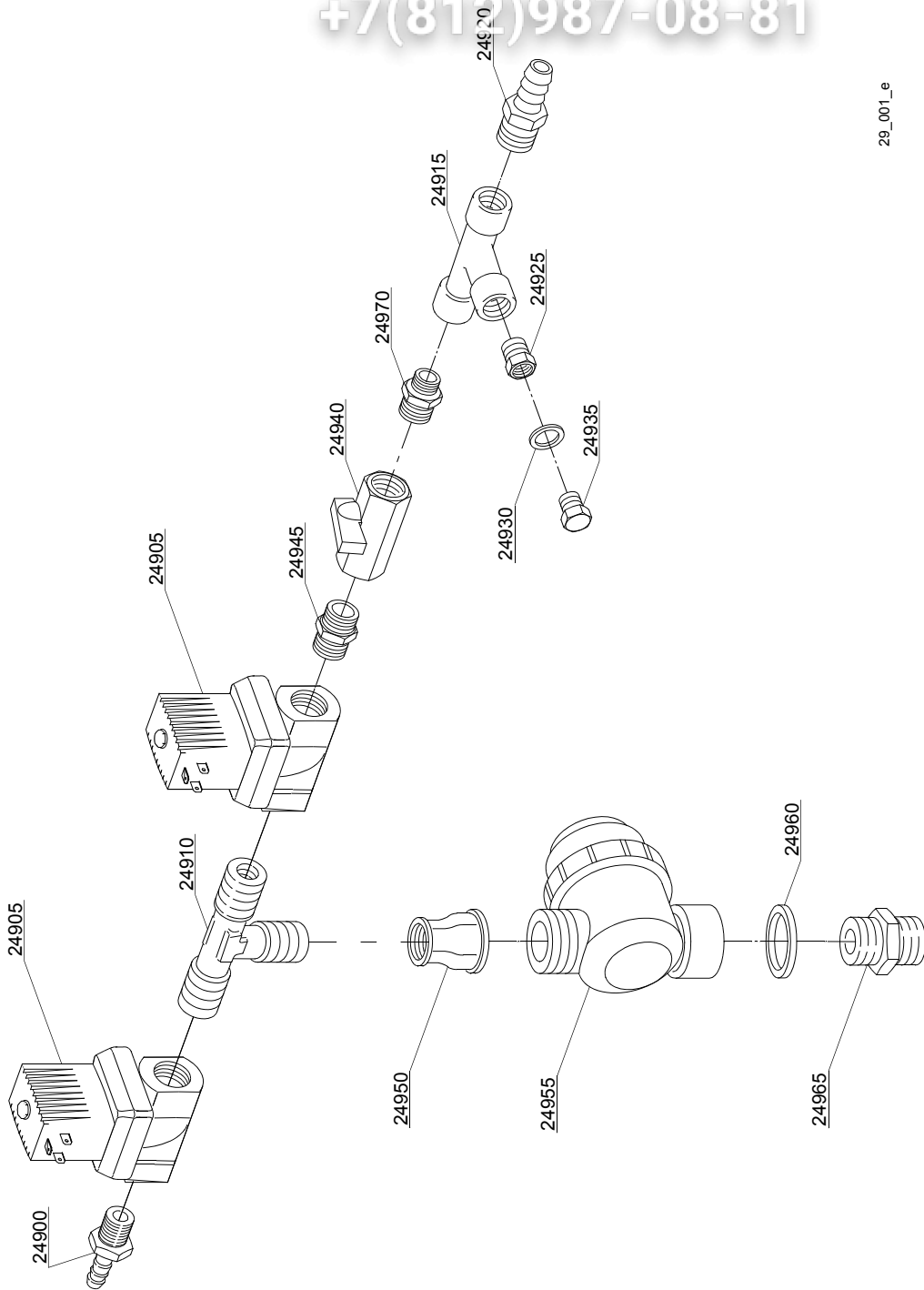
34HS=34HS

sc8=STEAM CONDENSER - LC 81, csa=CONVEYOR SPEED ADJUSTING - LC 101, 972=90°MOTORIZED CHAIN CONVEYOR - LC 97/2, 973=180°MOTORIZED CHAIN CONVEYOR - LC 97/3, 974=DRYER WITH 90° MOTORIZED CHAIN CONVEYOR - LC 97/4, 975=DRYER WITH 180° MOTORIZED CHAIN CONVEYOR - LC 97/5, d8=DRYER - LC 80, cw=ADDITIONAL BOILER FOR COLD WATER SUPPLY, dvgw=DVGW VALVE SYSTEM, wfa=WATER FLOW ADJUSTING, szc8=SPLASH ZONE WITH CILINDER - LC 84, sz8=SPLASH ZONE - LC 83, ti=TANK INSULATION, ds=DOUBLE SKIN, bp=BOOSTER PUMP, sdn3=DISPENSER SYSTEM SDN-3, 98=ANGLE LOADING TABLE - LC 98, res=RINSE ECONOMIZER SYSTEM

A=3/N/PE~380-400V 50-60Hz, D=3/PE~200-210V 50-60Hz, F=2/PE~220-240V 50-60Hz, G=3/N/PE~415V 50-60Hz, H=3/PE~220-230V 50-60Hz, K=3/PE~380-400V 50-60Hz, L=3/PE~415V 50-60Hz, M=3/PE~440V 60Hz, P=1/N/PE~220-230V 50-60Hz, R=2/PE~220-240V 50-60Hz, U=1/N/PE~240V 50-60Hz, V=3/PE~240V 50-60Hz, W=1/N/PE~100-110V 50-60Hz

vsezip.ru

+7(812)987-08-81



29\_001\_e



ID	P-code	SN from	SN to	Mod.	Acces.	Volt	Description
<b>Module:Solenoid valves components [151]</b>							
24900	12023		-	em,uw			Hose holder
24905	3002030		-	em,uw			Solenoid valve
24910	12022		-	em,uw			Union tee
24915	12008		-	em,uw			Connection T
24920	12005		-	em,uw			Hose holder
24925	12032		-	em,uw			Reduction nipples
24930	13309		-	em,uw			Gasket 14x10x1.5
24935	12002		-	em,uw			Plug
24940	3002140		-	em,uw			Tap
24945	12027		-	em,uw			Nipples
24950	12026		-	em,uw			Reduction nipples
24955	2000121		-	em,uw			Filter
24960	13326		-	em,uw			Gasket 38x27x2
24965	12025		-	em,uw			Nipples
24970	12033		-	em,uw			Nipples

em=ELECTROMECHANICAL SWITCHES, uw=LOWER AND UPPER WASHER

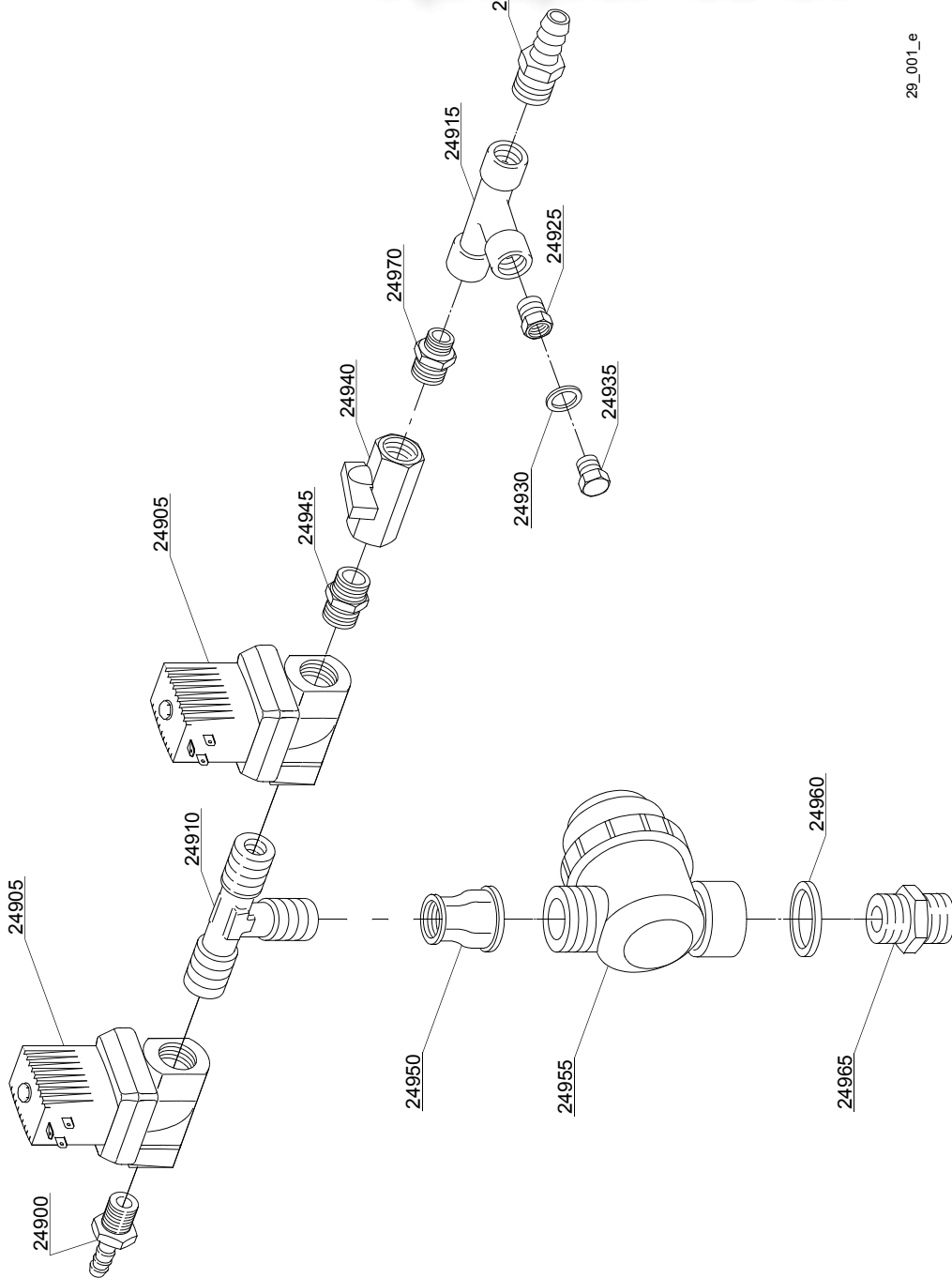
34HS=34HS

sc8=STEAM CONDENSER - LC 81, csa=CONVEYOR SPEED ADJUSTING - LC 101, 972=90°MOTORIZED CHAIN CONVEYOR - LC 97/2, 973=180°MOTORIZED CHAIN CONVEYOR - LC 97/3, 974=DRYER WITH 90° MOTORIZED CHAIN CONVEYOR - LC 97/4, 975=DRYER WITH 180° MOTORIZED CHAIN CONVEYOR - LC 97/5, d8=DRYER - LC 80, cw=ADDITIONAL BOILER FOR COLD WATER SUPPLY, dvgw=DVGW VALVE SYSTEM, wfa=WATER FLOW ADJUSTING, szc8=SPLASH ZONE WITH CILINDER - LC 84, sz8=SPLASH ZONE - LC 83, ti=TANK INSULATION, ds=DOUBLE SKIN, bp=BOOSTER PUMP, sdn3=DISPENSER SYSTEM SDN-3, 98=ANGLE LOADING TABLE - LC 98, res=RINSE ECONOMIZER SYSTEM

A=3/N/PE~380-400V 50-60Hz, D=3/PE~200-210V 50-60Hz, F=2/PE~220-240V 50-60Hz, G=3/N/PE~415V 50-60Hz, H=3/PE~220-230V 50-60Hz, K=3/PE~380-400V 50-60Hz, L=3/PE~415V 50-60Hz, M=3/PE~440V 60Hz, P=1/N/PE~220-230V 50-60Hz, R=2/PE~220-240V 50-60Hz, U=1/N/PE~240V 50-60Hz, V=3/PE~240V 50-60Hz, W=1/N/PE~100-110V 50-60Hz

vsezip.ru

+7(812)987-08-81



29\_001\_e

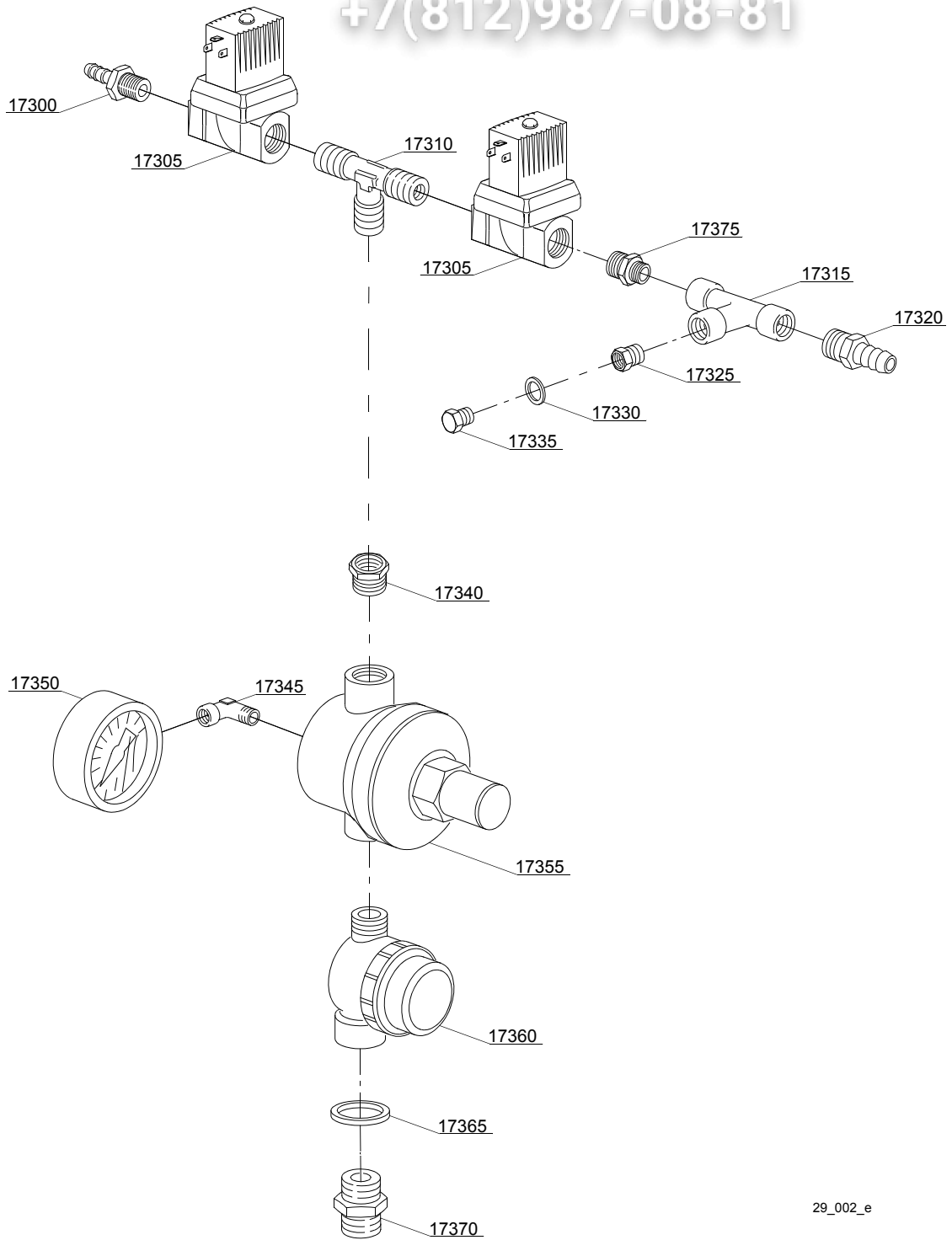
ID	P-code	SN from	SN to	Mod	Acces.	Volt	Description
<b>Module:Solenoid valves components [151]</b>							
24900	12023		-	em,uw	sc8,d8		Hose holder
24905	3002030		-	em,uw	sc8,d8		Solenoid valve
24910	12022		-	em,uw	sc8,d8		Union tee
24915	12008		-	em,uw	sc8,d8		Connection T
24920	12005		-	em,uw	sc8,d8		Hose holder
24925	12032		-	em,uw	sc8,d8		Reduction nipples
24930	13309		-	em,uw	sc8,d8		Gasket 14x10x1.5
24935	12002		-	em,uw	sc8,d8		Plug
24940	3002140		-	em,uw	sc8,d8		Tap
24945	12027		-	em,uw	sc8,d8		Nipples
24950	12026		-	em,uw	sc8,d8		Reduction nipples
24955	2000121		-	em,uw	sc8,d8		Filter
24960	13326		-	em,uw	sc8,d8		Gasket 38x27x2
24965	12025		-	em,uw	sc8,d8		Nipples
24970	12033		-	em,uw	sc8,d8		Nipples

em=ELECTROMECHANICAL SWITCHES, uw=LOWER AND UPPER WASHER

34HS=34HS

sc8=STEAM CONDENSER - LC 81, csa=CONVEYOR SPEED ADJUSTING - LC 101, 972=90°MOTORIZED CHAIN CONVEYOR - LC 97/2, 973=180°MOTORIZED CHAIN CONVEYOR - LC 97/3, 974=DRYER WITH 90° MOTORIZED CHAIN CONVEYOR - LC 97/4, 975=DRYER WITH 180° MOTORIZED CHAIN CONVEYOR - LC 97/5, d8=DRYER - LC 80, cw=ADDITIONAL BOILER FOR COLD WATER SUPPLY, dvgw=DVGW VALVE SYSTEM, wfa=WATER FLOW ADJUSTING, szc8=SPLASH ZONE WITH CILINDER - LC 84, sz8=SPLASH ZONE - LC 83, ti=TANK INSULATION, ds=DOUBLE SKIN, bp=BOOSTER PUMP, sdn3=DISPENSER SYSTEM SDN-3, 98=ANGLE LOADING TABLE - LC 98, res=RINSE ECONOMIZER SYSTEM

A=3/N/PE~380-400V 50-60Hz, D=3/PE~200-210V 50-60Hz, F=2/PE~220-240V 50-60Hz, G=3/N/PE~415V 50-60Hz, H=3/PE~220-230V 50-60Hz, K=3/PE~380-400V 50-60Hz, L=3/PE~415V 50-60Hz, M=3/PE~440V 60Hz, P=1/N/PE~220-230V 50-60Hz, R=2/PE~220-240V 50-60Hz, U=1/N/PE~240V 50-60Hz, V=3/PE~240V 50-60Hz, W=1/N/PE~100-110V 50-60Hz



29\_002\_e

vsezip.ru

ID	P-code	SN from	SN to	Mod.	Acces.	Volt	Description
<b>Module:Solenoid valves components with adjusting flow [151]</b>							
17300	12023		-	em,uw	wfa		Hose holder
17305	3002030		-	em,uw	wfa		Solenoid valve
17310	12022		-	em,uw	wfa		Union tee
17315	12008		-	em,uw	wfa		Connection T
17320	12005		-	em,uw	wfa		Hose holder
17325	12032		-	em,uw	wfa		Reduction nipples
17330	13309		-	em,uw	wfa		Gasket 14x10x1.5
17335	12002		-	em,uw	wfa		Plug
17340	12024		-	em,uw	wfa		Reduction nipples
17345	12012		-	em,uw	wfa		Elbow
17350	2000244		-	em,uw	wfa		Pressure reduction gauge
17355	2000364		-	em,uw	wfa		Pressure reduction valve
17360	2000121		-	em,uw	wfa		Filter
17365	13326		-	em,uw	wfa		Gasket 38x27x2
17370	12025		-	em,uw	wfa		Nipples
17375	12033		-	em,uw	wfa		Nipples

em=ELECTROMECHANICAL SWITCHES, uw=LOWER AND UPPER WASHER

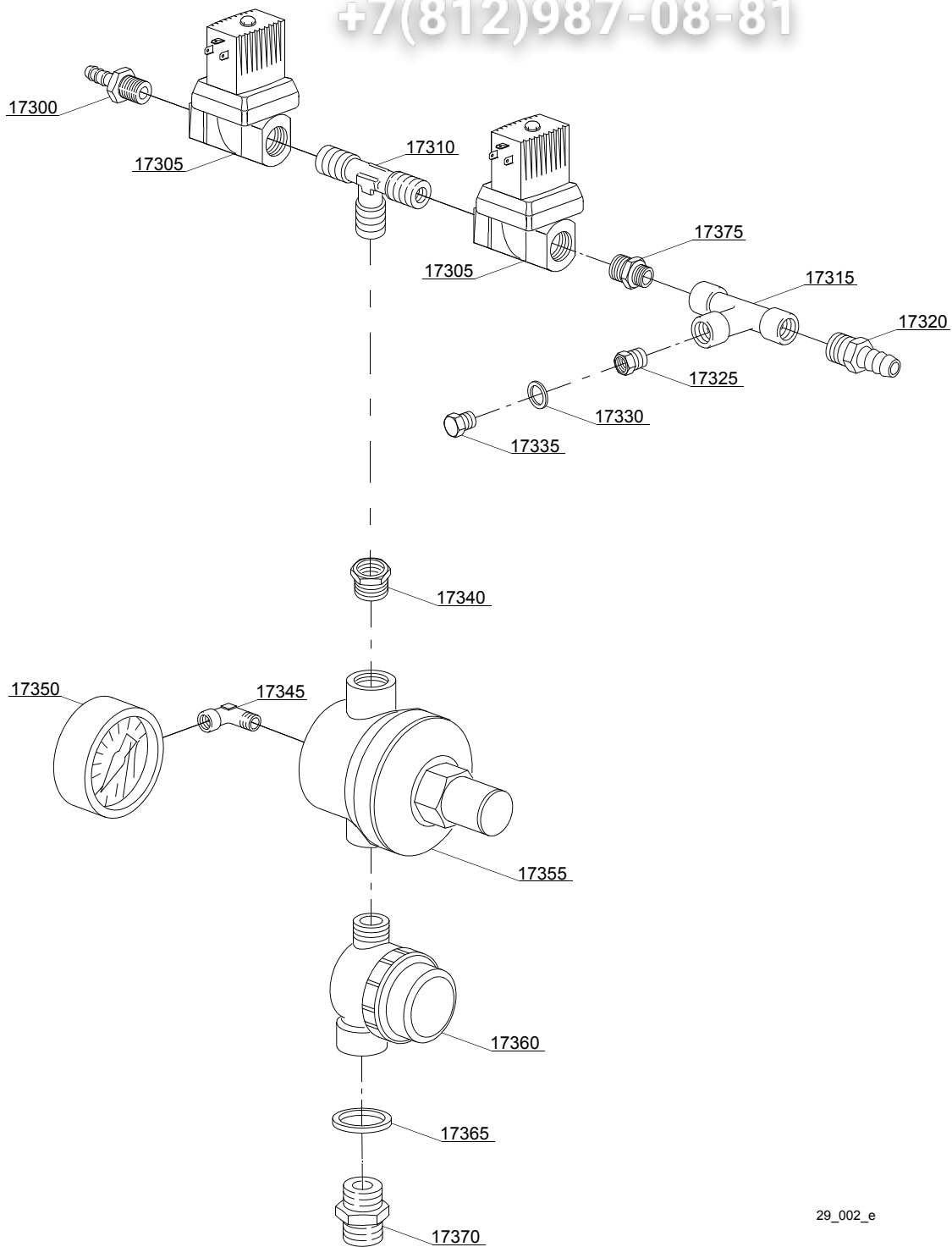
34HS=34HS

sc8=STEAM CONDENSER - LC 81, csa=CONVEYOR SPEED ADJUSTING - LC 101, 972=90°MOTORIZED CHAIN CONVEYOR - LC 97/2, 973=180°MOTORIZED CHAIN CONVEYOR - LC 97/3, 974=DRYER WITH 90° MOTORIZED CHAIN CONVEYOR - LC 97/4, 975=DRYER WITH 180° MOTORIZED CHAIN CONVEYOR - LC 97/5, d8=DRYER - LC 80, cw=ADDITIONAL BOILER FOR COLD WATER SUPPLY, dvgw=DVGW VALVE SYSTEM, wfa=WATER FLOW ADJUSTING, szc8=SPLASH ZONE WITH CILINDER - LC 84, sz8=SPLASH ZONE - LC 83, ti=TANK INSULATION, ds=DOUBLE SKIN, bp=BOOSTER PUMP, sdn3=DISPENSER SYSTEM SDN-3, 98=ANGLE LOADING TABLE - LC 98, res=RINSE ECONOMIZER SYSTEM

A=3/N/PE~380-400V 50-60Hz, D=3/PE~200-210V 50-60Hz, F=2/PE~220-240V 50-60Hz, G=3/N/PE~415V 50-60Hz, H=3/PE~220-230V 50-60Hz, K=3/PE~380-400V 50-60Hz, L=3/PE~415V 50-60Hz, M=3/PE~440V 60Hz, P=1/N/PE~220-230V 50-60Hz, R=2/PE~220-240V 50-60Hz, U=1/N/PE~240V 50-60Hz, V=3/PE~240V 50-60Hz, W=1/N/PE~100-110V 50-60Hz

vsezip.ru

+7(812)987-08-81



29\_002\_e

ID	P-code	SN from	SN to	Mod.	Acces.	Volt	Description
<b>Module:Solenoid valves components [151]</b>							
17300	12023		-	em,uw	sc8,d8,wfa		Hose holder
17305	3002030		-	em,uw	sc8,d8,wfa		Solenoid valve
17310	12022		-	em,uw	sc8,d8,wfa		Union tee
17315	12008		-	em,uw	sc8,d8,wfa		Connection T
17320	12005		-	em,uw	sc8,d8,wfa		Hose holder
17325	12032		-	em,uw	sc8,d8,wfa		Reduction nipples
17330	13309		-	em,uw	sc8,d8,wfa		Gasket 14x10x1.5
17335	12002		-	em,uw	sc8,d8,wfa		Plug
17340	12024		-	em,uw	sc8,d8,wfa		Reduction nipples
17345	12012		-	em,uw	sc8,d8,wfa		Elbow
17350	2000244		-	em,uw	sc8,d8,wfa		Pressure reduction gauge
17355	2000364		-	em,uw	sc8,d8,wfa		Pressure reduction valve
17360	2000121		-	em,uw	sc8,d8,wfa		Filter
17365	13326		-	em,uw	sc8,d8,wfa		Gasket 38x27x2
17370	12025		-	em,uw	sc8,d8,wfa		Nipples
17375	12033		-	em,uw	sc8,d8,wfa		Nipples

em=ELECTROMECHANICAL SWITCHES, uw=LOWER AND UPPER WASHER

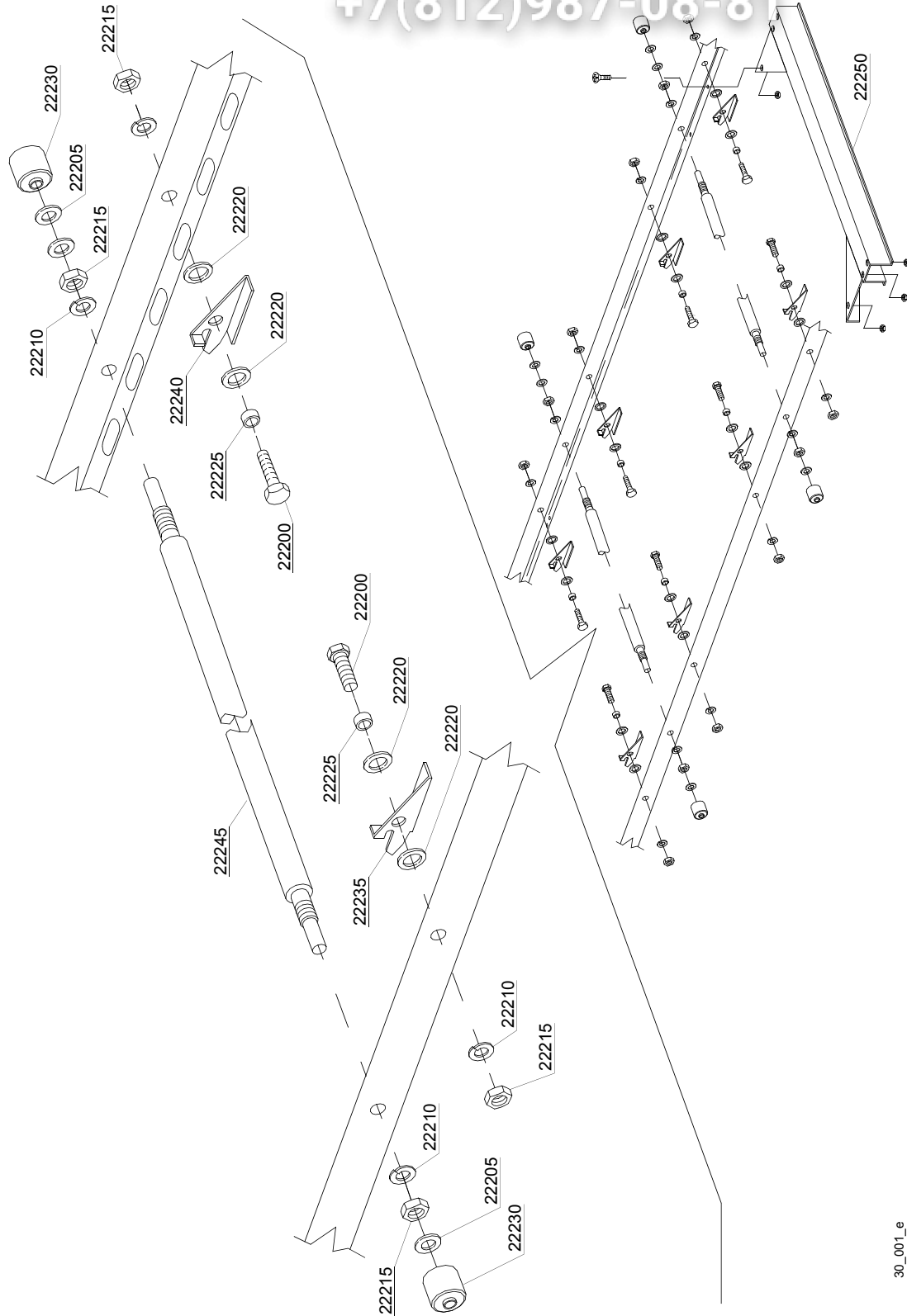
34HS=34HS

sc8=STEAM CONDENSER - LC 81, csa=CONVEYOR SPEED ADJUSTING - LC 101, 972=90°MOTORIZED CHAIN CONVEYOR - LC 97/2, 973=180°MOTORIZED CHAIN CONVEYOR - LC 97/3, 974=DRYER WITH 90° MOTORIZED CHAIN CONVEYOR - LC 97/4, 975=DRYER WITH 180° MOTORIZED CHAIN CONVEYOR - LC 97/5, d8=DRYER - LC 80, cw=ADDITIONAL BOILER FOR COLD WATER SUPPLY, dvgw=DVGW VALVE SYSTEM, wfa=WATER FLOW ADJUSTING, szc8=SPLASH ZONE WITH CILINDER - LC 84, sz8=SPLASH ZONE - LC 83, ti=TANK INSULATION, ds=DOUBLE SKIN, bp=BOOSTER PUMP, sdn3=DISPENSER SYSTEM SDN-3, 98=ANGLE LOADING TABLE - LC 98, res=RINSE ECONOMIZER SYSTEM

A=3/N/PE~380-400V 50-60Hz, D=3/PE~200-210V 50-60Hz, F=2/PE~220-240V 50-60Hz, G=3/N/PE~415V 50-60Hz, H=3/PE~220-230V 50-60Hz, K=3/PE~380-400V 50-60Hz, L=3/PE~415V 50-60Hz, M=3/PE~440V 60Hz, P=1/N/PE~220-230V 50-60Hz, R=2/PE~220-240V 50-60Hz, U=1/N/PE~240V 50-60Hz, V=3/PE~240V 50-60Hz, W=1/N/PE~100-110V 50-60Hz

vsezip.ru

+7(812)987-08-81



30\_001\_e



vsezip.ru

ID	P-code	SN from	SN to	Mod	Acces.	Volt	Description
<b>Module: Conveyor parts [151]</b>							
22200	11109		-	em,uw			Screw
22205	11185		-	em,uw			Washer
22210	11609		-	em,uw			Split washer
22215	11719		-	em,uw			Nut
22220	3003024		-	em,uw			Washer
22225	3003025		-	em,uw			Bush
22230	3003026		-	em,uw			Bush
22235	3003100		-	em,uw			Clip right
22240	3003101		-	em,uw			Clip left
22245	3003010		-	em,uw			Axis
22250	3009107		-	em,uw			Guide

em=ELECTROMECHANICAL SWITCHES, uw=LOWER AND UPPER WASHER

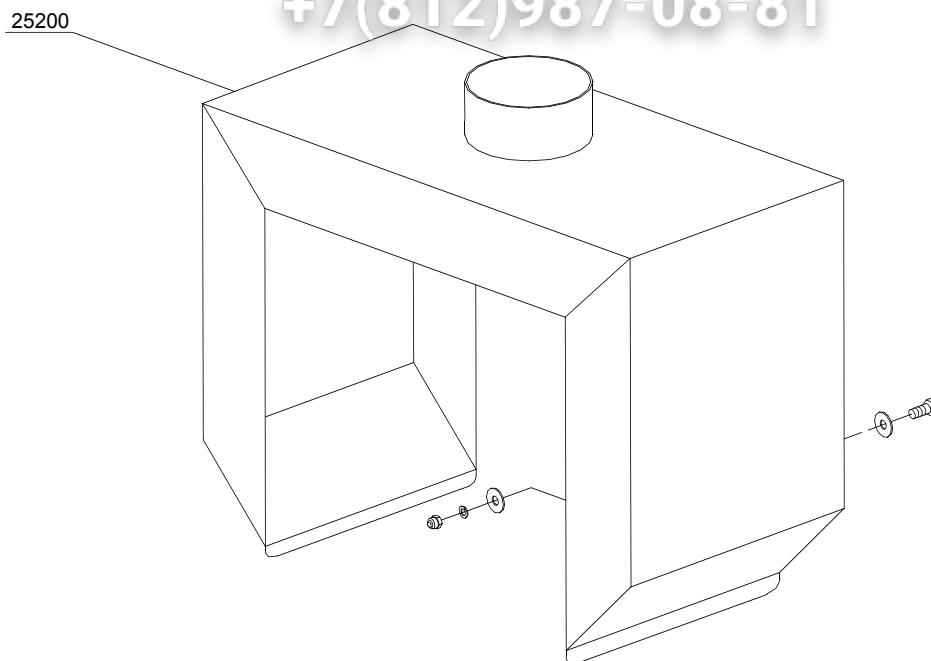
34HS=34HS

sc8=STEAM CONDENSER - LC 81, csa=CONVEYOR SPEED ADJUSTING - LC 101, 972=90°MOTORIZED CHAIN CONVEYOR - LC 97/2, 973=180°MOTORIZED CHAIN CONVEYOR - LC 97/3, 974=DRYER WITH 90° MOTORIZED CHAIN CONVEYOR - LC 97/4, 975=DRYER WITH 180° MOTORIZED CHAIN CONVEYOR - LC 97/5, d8=DRYER - LC 80, cw=ADDITIONAL BOILER FOR COLD WATER SUPPLY, dvgw=DVGW VALVE SYSTEM, wfa=WATER FLOW ADJUSTING, szc8=SPLASH ZONE WITH CILINDER - LC 84, sz8=SPLASH ZONE - LC 83, ti=TANK INSULATION, ds=DOUBLE SKIN, bp=BOOSTER PUMP, sdn3=DISPENSER SYSTEM SDN-3, 98=ANGLE LOADING TABLE - LC 98, res=RINSE ECONOMIZER SYSTEM

A=3/N/PE~380-400V 50-60Hz, D=3/PE~200-210V 50-60Hz, F=2/PE~220-240V 50-60Hz, G=3/N/PE~415V 50-60Hz, H=3/PE~220-230V 50-60Hz, K=3/PE~380-400V 50-60Hz, L=3/PE~415V 50-60Hz, M=3/PE~440V 60Hz, P=1/N/PE~220-230V 50-60Hz, R=2/PE~220-240V 50-60Hz, U=1/N/PE~240V 50-60Hz, V=3/PE~240V 50-60Hz, W=1/N/PE~100-110V 50-60Hz

vsezip.ru

+7(812)987-08-81



31\_001\_e

vsezip.ru

ID	P-code	SN from	SN to	Mod.	Acces.	Volt	Description
<b>Module: Splash zone with cilinder LC84 [151]</b>							
25200	999910084		-	em,uw			Splash zone with cilinder LC84

em=ELECTROMECHANICAL SWITCHES, uw=LOWER AND UPPER WASHER

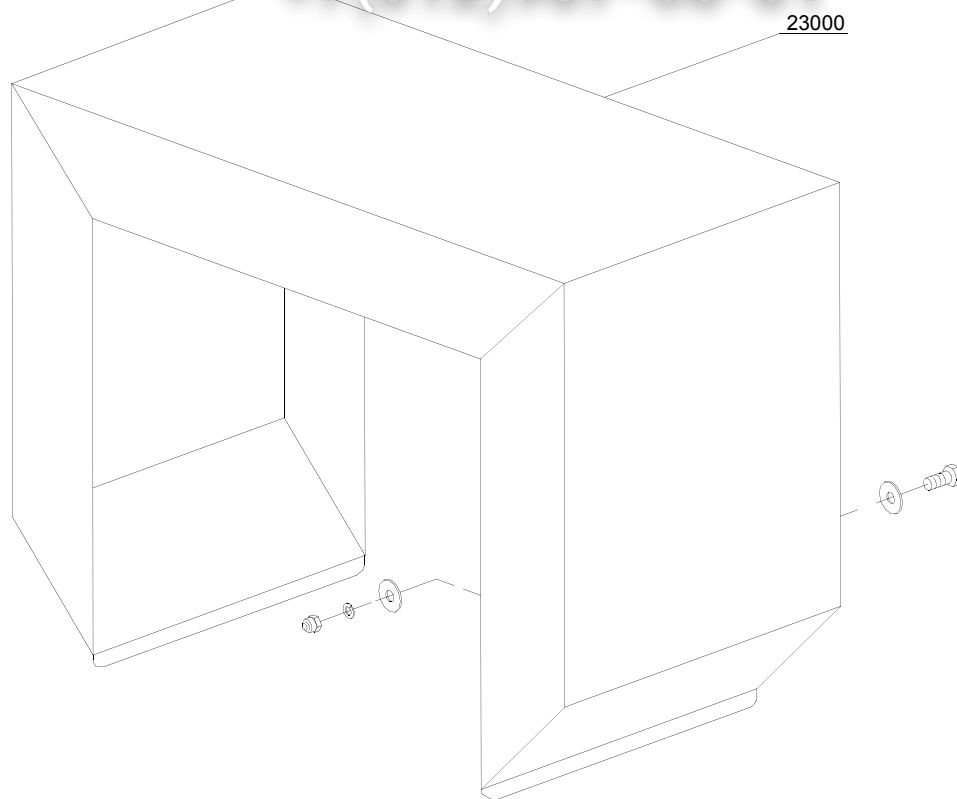
34HS=34HS

sc8=STEAM CONDENSER - LC 81, csa=CONVEYOR SPEED ADJUSTING - LC 101, 972=90°MOTORIZED CHAIN CONVEYOR - LC 97/2, 973=180°MOTORIZED CHAIN CONVEYOR - LC 97/3, 974=DRYER WITH 90° MOTORIZED CHAIN CONVEYOR - LC 97/4, 975=DRYER WITH 180° MOTORIZED CHAIN CONVEYOR - LC 97/5, d8=DRYER - LC 80, cw=ADDITIONAL BOILER FOR COLD WATER SUPPLY, dvgw=DVGW VALVE SYSTEM, wfa=WATER FLOW ADJUSTING, szc8=SPLASH ZONE WITH CILINDER - LC 84, sz8=SPLASH ZONE - LC 83, ti=TANK INSULATION, ds=DOUBLE SKIN, bp=BOOSTER PUMP, sdn3=DISPENSER SYSTEM SDN-3, 98=ANGLE LOADING TABLE - LC 98, res=RINSE ECONOMIZER SYSTEM

A=3/N/PE~380-400V 50-60Hz, D=3/PE~200-210V 50-60Hz, F=2/PE~220-240V 50-60Hz, G=3/N/PE~415V 50-60Hz, H=3/PE~220-230V 50-60Hz, K=3/PE~380-400V 50-60Hz, L=3/PE~415V 50-60Hz, M=3/PE~440V 60Hz, P=1/N/PE~220-230V 50-60Hz, R=2/PE~220-240V 50-60Hz, U=1/N/PE~240V 50-60Hz, V=3/PE~240V 50-60Hz, W=1/N/PE~100-110V 50-60Hz

vsezip.ru

+7(812)987-08-81



34\_001\_e

vsezip.ru

ID	P-code	SN from	SN to	Mod.	Acces.	Volt	Description
<b>Module: Splash zone LC83 [151]</b>							
23000	999910083		-	em,uw			Splash zone

em=ELECTROMECHANICAL SWITCHES, uw=LOWER AND UPPER WASHER

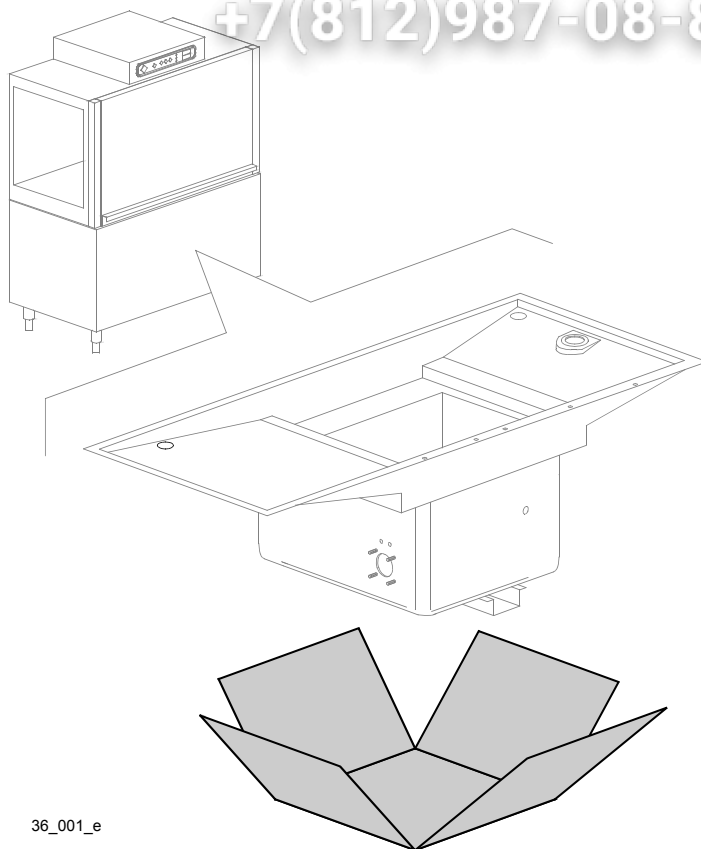
34HS=34HS

sc8=STEAM CONDENSER - LC 81, csa=CONVEYOR SPEED ADJUSTING - LC 101, 972=90°MOTORIZED CHAIN CONVEYOR - LC 97/2, 973=180°MOTORIZED CHAIN CONVEYOR - LC 97/3, 974=DRYER WITH 90° MOTORIZED CHAIN CONVEYOR - LC 97/4, 975=DRYER WITH 180° MOTORIZED CHAIN CONVEYOR - LC 97/5, d8=DRYER - LC 80, cw=ADDITIONAL BOILER FOR COLD WATER SUPPLY, dvgw=DVGW VALVE SYSTEM, wfa=WATER FLOW ADJUSTING, szc8=SPLASH ZONE WITH CILINDER - LC 84, sz8=SPLASH ZONE - LC 83, ti=TANK INSULATION, ds=DOUBLE SKIN, bp=BOOSTER PUMP, sdn3=DISPENSER SYSTEM SDN-3, 98=ANGLE LOADING TABLE - LC 98, res=RINSE ECONOMIZER SYSTEM

A=3/N/PE~380-400V 50-60Hz, D=3/PE~200-210V 50-60Hz, F=2/PE~220-240V 50-60Hz, G=3/N/PE~415V 50-60Hz, H=3/PE~220-230V 50-60Hz, K=3/PE~380-400V 50-60Hz, L=3/PE~415V 50-60Hz, M=3/PE~440V 60Hz, P=1/N/PE~220-230V 50-60Hz, R=2/PE~220-240V 50-60Hz, U=1/N/PE~240V 50-60Hz, V=3/PE~240V 50-60Hz, W=1/N/PE~100-110V 50-60Hz

vsezip.ru

+7(812)987-08-81



36\_001\_e

vsezip.ru

ID	P-code	SN from	SN to	Mod.	Acces.	Volt	Description
<b>Module: Tank insulation [151]</b>							
999	999910207		-	em,uw	ti		Tank insulation N.B.: kit suppliable only togeter with the machine, not after

em=ELECTROMECHANICAL SWITCHES, uw=LOWER AND UPPER WASHER

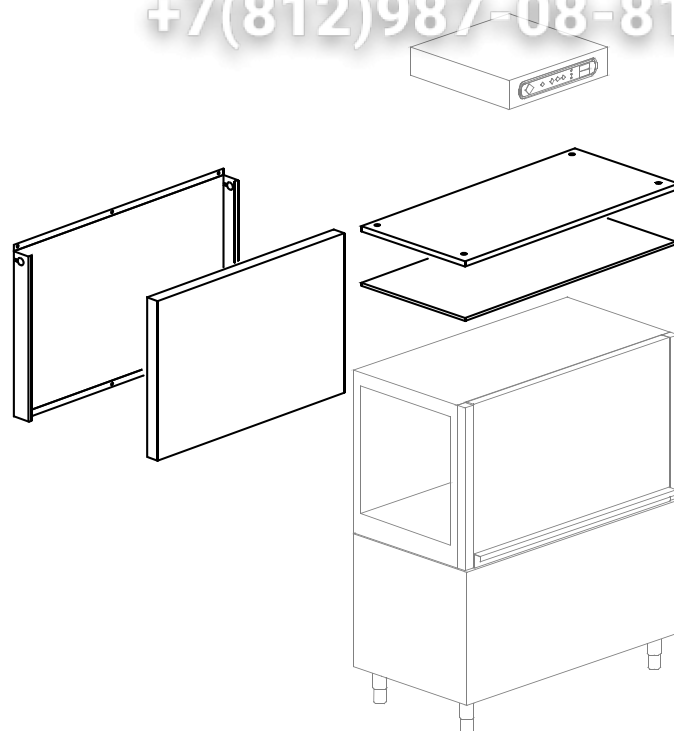
34HS=34HS

sc8=STEAM CONDENSER - LC 81, csa=CONVEYOR SPEED ADJUSTING - LC 101, 972=90°MOTORIZED CHAIN CONVEYOR - LC 97/2, 973=180°MOTORIZED CHAIN CONVEYOR - LC 97/3, 974=DRYER WITH 90° MOTORIZED CHAIN CONVEYOR - LC 97/4, 975=DRYER WITH 180° MOTORIZED CHAIN CONVEYOR - LC 97/5, d8=DRYER - LC 80, cw=ADDITIONAL BOILER FOR COLD WATER SUPPLY, dvgw=DVGW VALVE SYSTEM, wfa=WATER FLOW ADJUSTING, szc8=SPLASH ZONE WITH CILINDER - LC 84, sz8=SPLASH ZONE - LC 83, ti=TANK INSULATION, ds=DOUBLE SKIN, bp=BOOSTER PUMP, sdn3=DISPENSER SYSTEM SDN-3, 98=ANGLE LOADING TABLE - LC 98, res=RINSE ECONOMIZER SYSTEM

A=3/N/PE~380-400V 50-60Hz, D=3/PE~200-210V 50-60Hz, F=2/PE~220-240V 50-60Hz, G=3/N/PE~415V 50-60Hz, H=3/PE~220-230V 50-60Hz, K=3/PE~380-400V 50-60Hz, L=3/PE~415V 50-60Hz, M=3/PE~440V 60Hz, P=1/N/PE~220-230V 50-60Hz, R=2/PE~220-240V 50-60Hz, U=1/N/PE~240V 50-60Hz, V=3/PE~240V 50-60Hz, W=1/N/PE~100-110V 50-60Hz

vsezip.ru

+7(812)987-08-81



37\_001\_e



vsezip.ru

ID	P-code	SN from	SN to	Mod.	Acces.	Volt	Description
<b>Module: Double skin [151]</b>							
999	999910206		-	em,uw	ds		Double skin assembly N.B.: kit suppliable only together with the machine, not after

em=ELECTROMECHANICAL SWITCHES, uw=LOWER AND UPPER WASHER

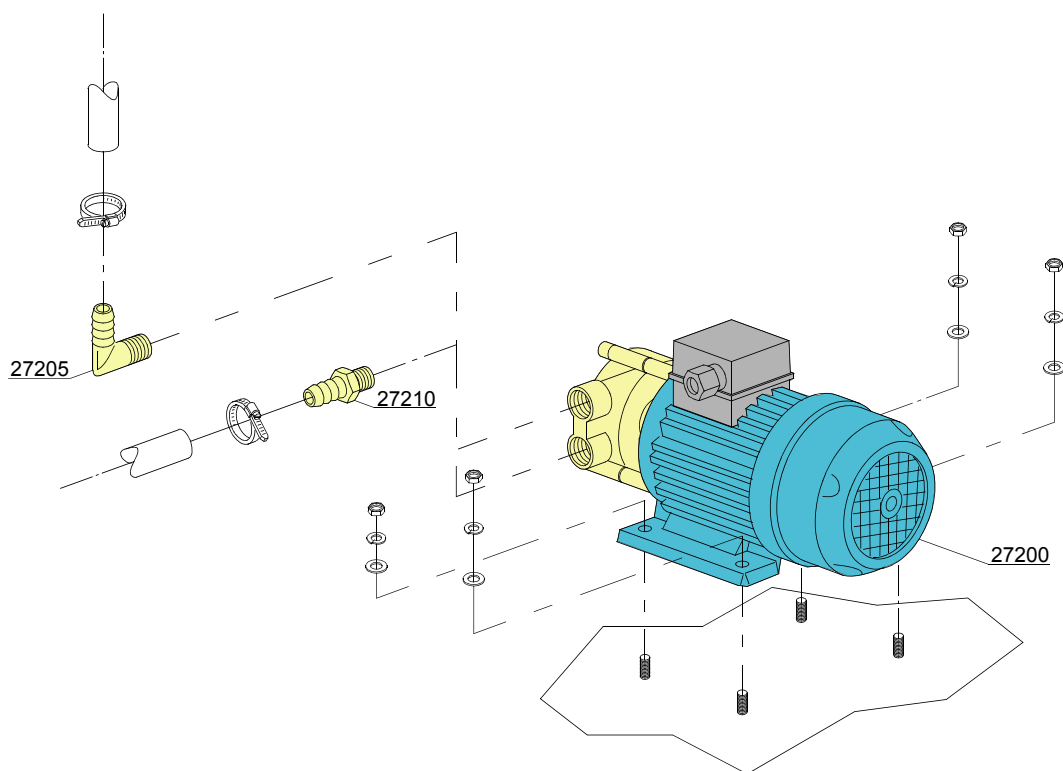
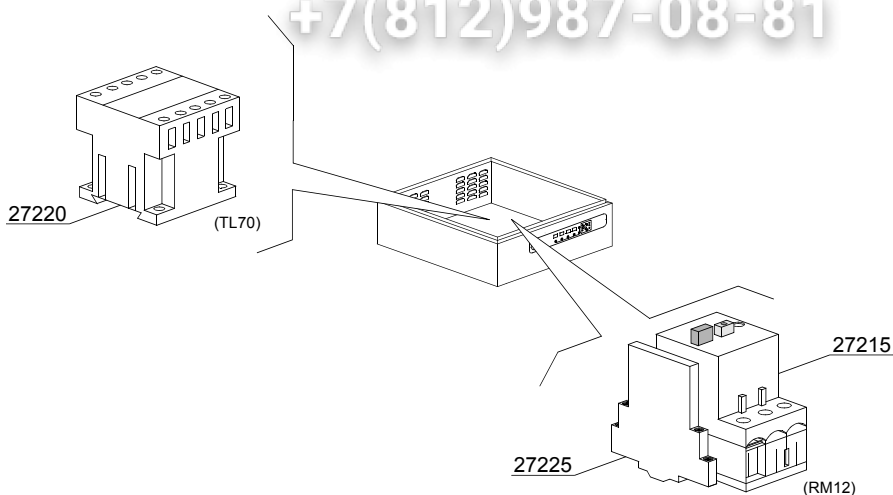
34HS=34HS

sc8=STEAM CONDENSER - LC 81, csa=CONVEYOR SPEED ADJUSTING - LC 101, 972=90°MOTORIZED CHAIN CONVEYOR - LC 97/2, 973=180°MOTORIZED CHAIN CONVEYOR - LC 97/3, 974=DRYER WITH 90° MOTORIZED CHAIN CONVEYOR - LC 97/4, 975=DRYER WITH 180° MOTORIZED CHAIN CONVEYOR - LC 97/5, d8=DRYER - LC 80, cw=ADDITIONAL BOILER FOR COLD WATER SUPPLY, dvgw=DVGW VALVE SYSTEM, wfa=WATER FLOW ADJUSTING, szc8=SPLASH ZONE WITH CILINDER - LC 84, sz8=SPLASH ZONE - LC 83, ti=TANK INSULATION, ds=DOUBLE SKIN, bp=BOOSTER PUMP, sdn3=DISPENSER SYSTEM SDN-3, 98=ANGLE LOADING TABLE - LC 98, res=RINSE ECONOMIZER SYSTEM

A=3/N/PE~380-400V 50-60Hz, D=3/PE~200-210V 50-60Hz, F=2/PE~220-240V 50-60Hz, G=3/N/PE~415V 50-60Hz, H=3/PE~220-230V 50-60Hz, K=3/PE~380-400V 50-60Hz, L=3/PE~415V 50-60Hz, M=3/PE~440V 60Hz, P=1/N/PE~220-230V 50-60Hz, R=2/PE~220-240V 50-60Hz, U=1/N/PE~240V 50-60Hz, V=3/PE~240V 50-60Hz, W=1/N/PE~100-110V 50-60Hz

vsezip.ru

+7(812)987-08-81



38\_001\_e

vsezip.ru

ID	P-code	SN from	SN to	Mod.	Acces.	Volt	Description
<b>Module:Booster pump</b>							
<b>[151,160,210,250,300,300LC,310,310LC,380,380LC,400,440,440LC,540,510,510LC,540LC,BX230,BX280,BX300]</b>							
27200	15100		-		bp		Booster pump
27205	12030		-		bp		Elbow pipe fitting
27210	10221311		-		bp		Pipe fitting
27215	2000394		-		bp		Motorprotector 2,5-4A
27220	2000370		-		bp		Contactora MC9
27225	3006080		-		bp		Auxiliary contact LMS25

em=ELECTROMECHANICAL SWITCHES, uw=LOWER AND UPPER WASHER

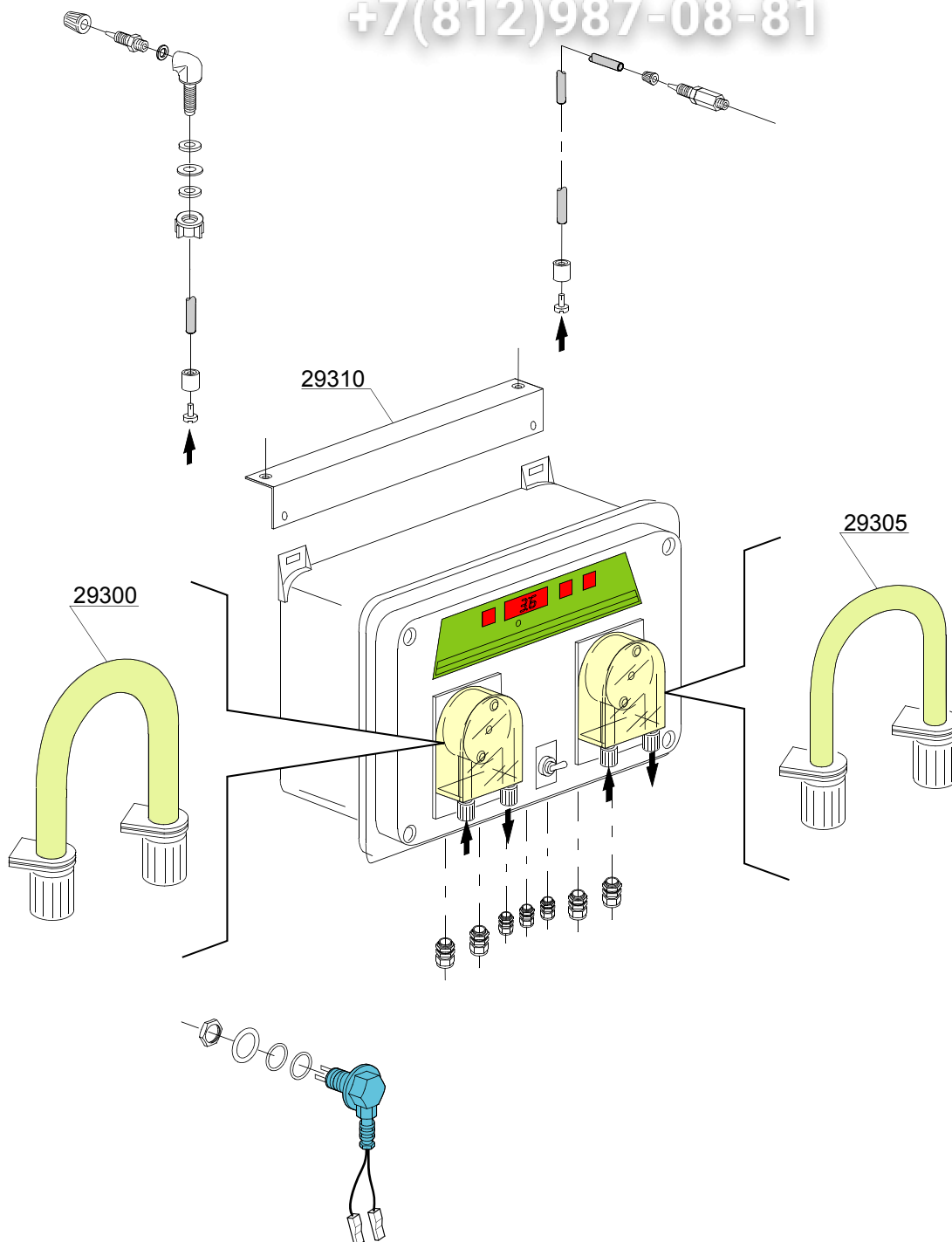
34HS=34HS

sc8=STEAM CONDENSER - LC 81, csa=CONVEYOR SPEED ADJUSTING - LC 101, 972=90°MOTORIZED CHAIN CONVEYOR - LC 97/2, 973=180°MOTORIZED CHAIN CONVEYOR - LC 97/3, 974=DRYER WITH 90° MOTORIZED CHAIN CONVEYOR - LC 97/4, 975=DRYER WITH 180° MOTORIZED CHAIN CONVEYOR - LC 97/5, d8=DRYER - LC 80, cw=ADDITIONAL BOILER FOR COLD WATER SUPPLY, dvgw=DVGW VALVE SYSTEM, wfa=WATER FLOW ADJUSTING, szc8=SPLASH ZONE WITH CILINDER - LC 84, sz8=SPLASH ZONE - LC 83, ti=TANK INSULATION, ds=DOUBLE SKIN, bp=BOOSTER PUMP, sdn3=DISPENSER SYSTEM SDN-3, 98=ANGLE LOADING TABLE - LC 98, res=RINSE ECONOMIZER SYSTEM

A=3/N/PE~380-400V 50-60Hz, D=3/PE~200-210V 50-60Hz, F=2/PE~220-240V 50-60Hz, G=3/N/PE~415V 50-60Hz, H=3/PE~220-230V 50-60Hz, K=3/PE~380-400V 50-60Hz, L=3/PE~415V 50-60Hz, M=3/PE~440V 60Hz, P=1/N/PE~220-230V 50-60Hz, R=2/PE~220-240V 50-60Hz, U=1/N/PE~240V 50-60Hz, V=3/PE~240V 50-60Hz, W=1/N/PE~100-110V 50-60Hz

vsezip.ru

+7(812)987-08-81



39\_001\_e

vsezip.ru

ID	P-code	SN from	SN to	Mod.	Acces	Volt	Description
<b>Module: Dispensers SDN-3</b>							
<b>[151,160,210,250,300,300LC,310,310LC,380,380LC,400,440,440LC,540,510,510LC,540LC,BX230,BX280,BX300]</b>							
	15181/A		-		sdn3		Dispensers assembly SDN-3
29300	15185		-		sdn3		Pipe fitting for detergent dispenser
29305	15186		-		sdn3		Pipe fitting for rinse dispenser
29310	3009669		-		sdn3		Dispensers assembly SDN-3 support

em=ELECTROMECHANICAL SWITCHES, uw=LOWER AND UPPER WASHER

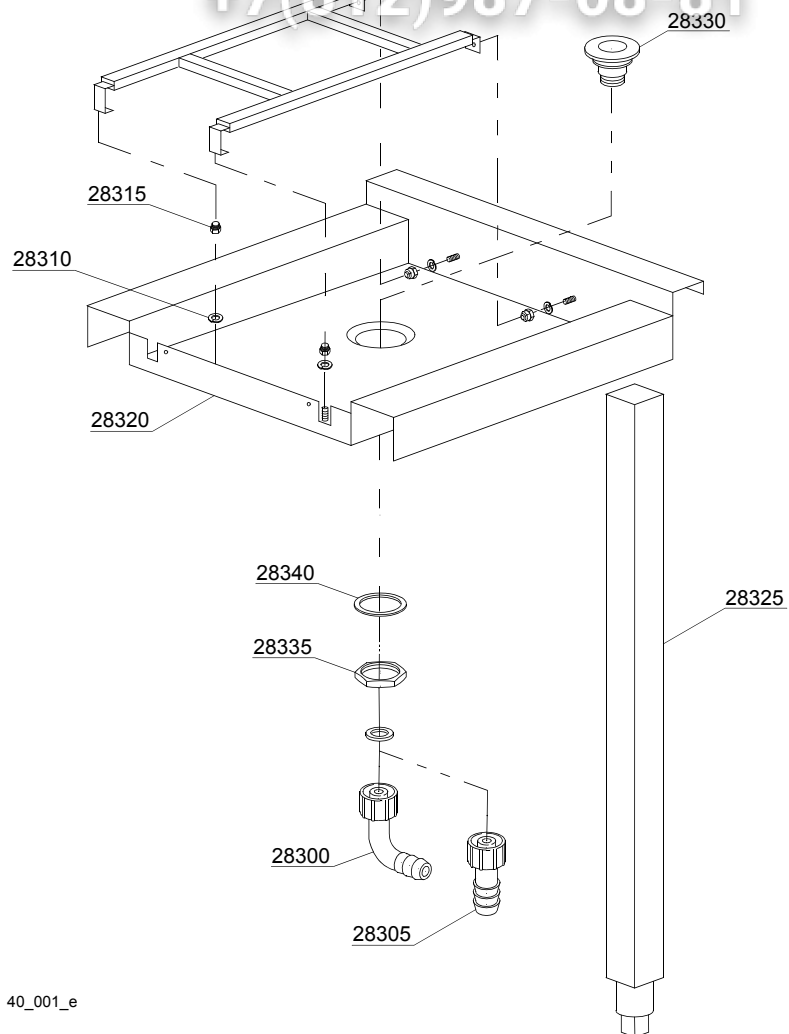
34HS=34HS

sc8=STEAM CONDENSER - LC 81, csa=CONVEYOR SPEED ADJUSTING - LC 101, 972=90°MOTORIZED CHAIN CONVEYOR - LC 97/2, 973=180°MOTORIZED CHAIN CONVEYOR - LC 97/3, 974=DRYER WITH 90° MOTORIZED CHAIN CONVEYOR - LC 97/4, 975=DRYER WITH 180° MOTORIZED CHAIN CONVEYOR - LC 97/5, d8=DRYER - LC 80, cw=ADDITIONAL BOILER FOR COLD WATER SUPPLY, dvgw=DVGW VALVE SYSTEM, wfa=WATER FLOW ADJUSTING, szc8=SPLASH ZONE WITH CILINDER - LC 84, sz8=SPLASH ZONE - LC 83, ti=TANK INSULATION, ds=DOUBLE SKIN, bp=BOOSTER PUMP, sdn3=DISPENSER SYSTEM SDN-3, 98=ANGLE LOADING TABLE - LC 98, res=RINSE ECONOMIZER SYSTEM

A=3/N/PE~380-400V 50-60Hz, D=3/PE~200-210V 50-60Hz, F=2/PE~220-240V 50-60Hz, G=3/N/PE~415V 50-60Hz, H=3/PE~220-230V 50-60Hz, K=3/PE~380-400V 50-60Hz, L=3/PE~415V 50-60Hz, M=3/PE~440V 60Hz, P=1/N/PE~220-230V 50-60Hz, R=2/PE~220-240V 50-60Hz, U=1/N/PE~240V 50-60Hz, V=3/PE~240V 50-60Hz, W=1/N/PE~100-110V 50-60Hz

vsezip.ru

+7(812)987-08-81



40\_001\_e

vsezip.ru

ID	P-code	SN from	SN to	Mod	Acces.	Volt	Description
<b>Module: Angle loading table 90° - LC 98</b>							
[151,160,210,250,300,310,300LC,310LC,380,380LC,400,440,440LC,510,510LC,540,540LC]							
28300	15613		-		98		1" 1/4x30 nylon elbow
28305	15613/A		-		98		Fitting exauster
28310	3003024		-		98		Washer
28315	3003025		-		98		Bush
28320	3009250		-		98		Platform
28325	3009608		-		98		Leg assembly
28330	10200113		-		98		Floor drain
28335	10200114		-		98		Floor drain nut
28340	10200173		-		98		Gasket 75x58x2

em=ELECTROMECHANICAL SWITCHES, uw=LOWER AND UPPER WASHER

34HS=34HS

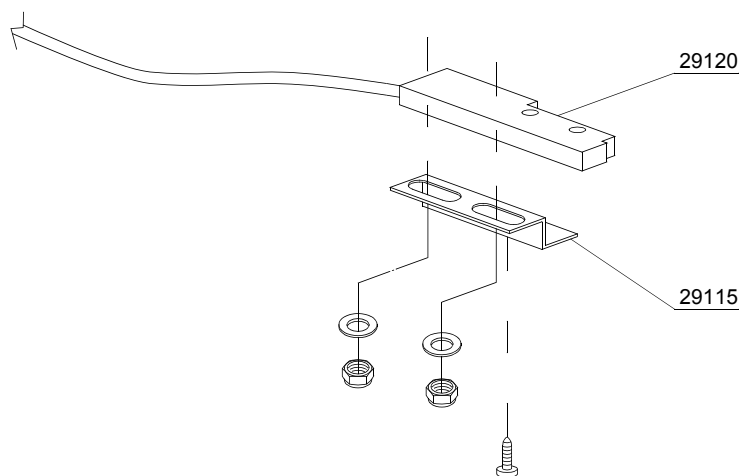
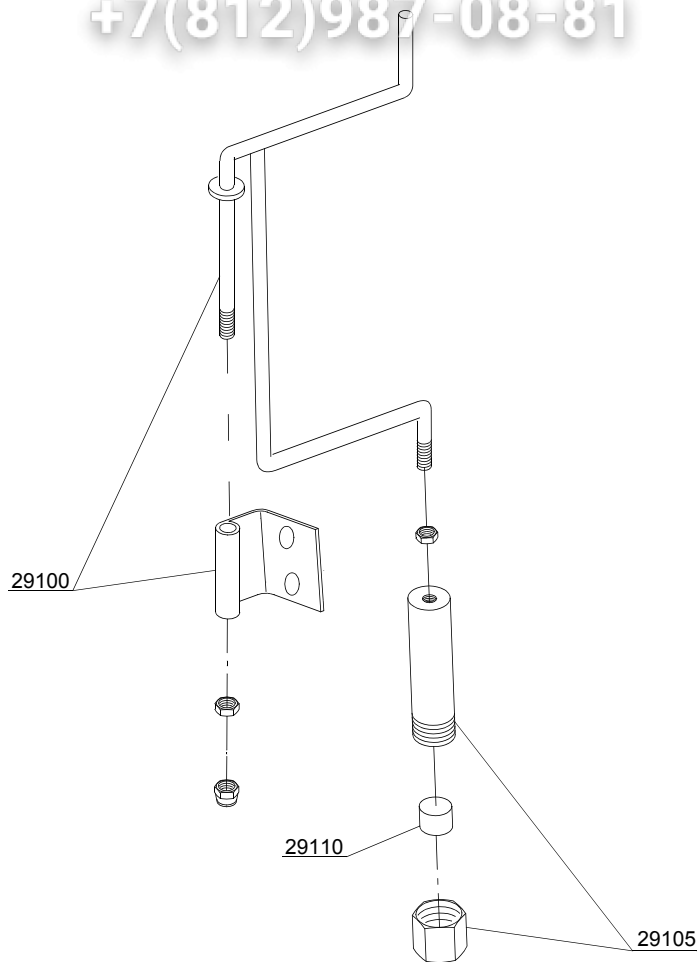
sc8=STEAM CONDENSER - LC 81, csa=CONVEYOR SPEED ADJUSTING - LC 101, 972=90°MOTORIZED CHAIN CONVEYOR - LC 97/2, 973=180°MOTORIZED CHAIN CONVEYOR - LC 97/3, 974=DRYER WITH 90° MOTORIZED CHAIN CONVEYOR - LC 97/4, 975=DRYER WITH 180° MOTORIZED CHAIN CONVEYOR - LC 97/5, d8=DRYER - LC 80, cw=ADDITIONAL BOILER FOR COLD WATER SUPPLY, dvgw=DVGW VALVE SYSTEM, wfa=WATER FLOW ADJUSTING, szc8=SPLASH ZONE WITH CILINDER - LC 84, sz8=SPLASH ZONE - LC 83, ti=TANK INSULATION, ds=DOUBLE SKIN, bp=BOOSTER PUMP, sdn3=DISPENSER SYSTEM SDN-3, 98=ANGLE LOADING TABLE - LC 98, res=RINSE ECONOMIZER SYSTEM

A=3/N/PE~380-400V 50-60Hz, D=3/PE~200-210V 50-60Hz, F=2/PE~220-240V 50-60Hz, G=3/N/PE~415V 50-60Hz, H=3/PE~220-230V 50-60Hz, K=3/PE~380-400V 50-60Hz, L=3/PE~415V 50-60Hz, M=3/PE~440V 60Hz, P=1/N/PE~220-230V 50-60Hz, R=2/PE~220-240V 50-60Hz, U=1/N/PE~240V 50-60Hz, V=3/PE~240V 50-60Hz, W=1/N/PE~100-110V 50-60Hz

vsezip.ru

+7(812)987-08-81

41\_001\_e





vsezip.ru

ID	P-code	SN from	SN to	Mod.	Acces.	Volt	Description
<b>Module: Rinse economizer system [151]</b>							
29100	3004163		-		res		Rinse economizer system
29105	3003058		-		res		Magnet holder
29110	3003113		-		res		Magnet
29115	3009112		-		res		Economizer microswitch support
29120	3003112		-		res		Economizer microswitch

em=ELECTROMECHANICAL SWITCHES, uw=LOWER AND UPPER WASHER

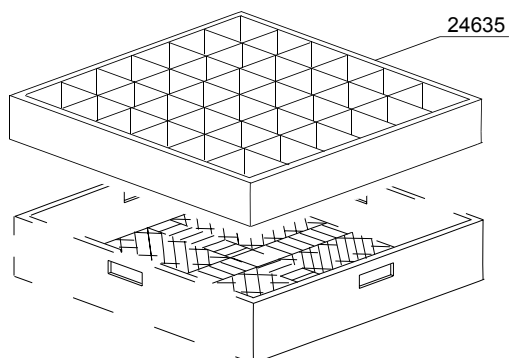
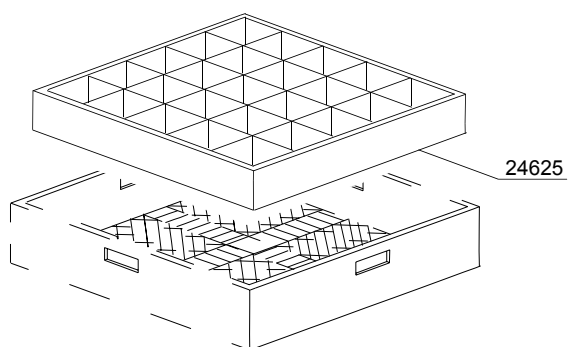
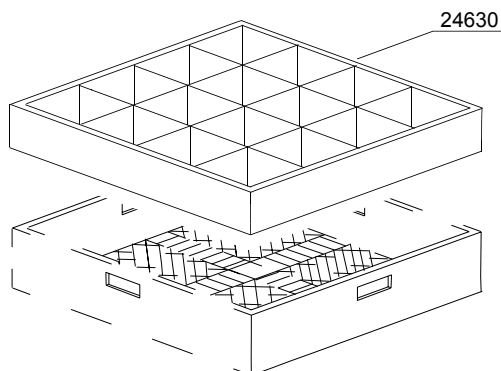
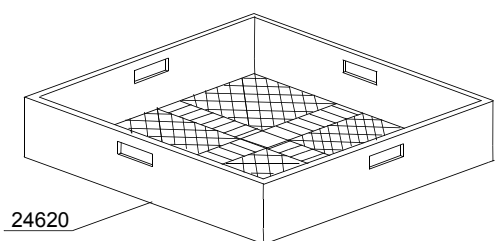
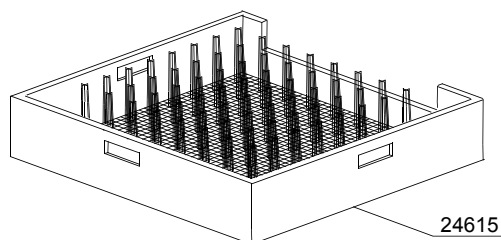
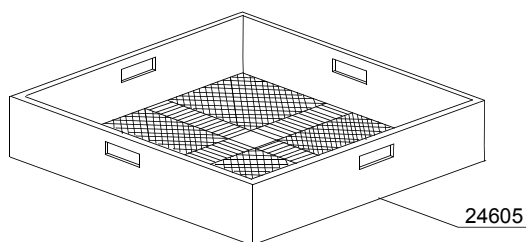
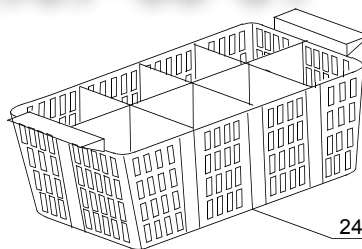
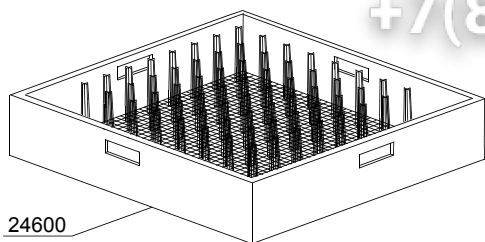
34HS=34HS

sc8=STEAM CONDENSER - LC 81, csa=CONVEYOR SPEED ADJUSTING - LC 101, 972=90°MOTORIZED CHAIN CONVEYOR - LC 97/2, 973=180°MOTORIZED CHAIN CONVEYOR - LC 97/3, 974=DRYER WITH 90° MOTORIZED CHAIN CONVEYOR - LC 97/4, 975=DRYER WITH 180° MOTORIZED CHAIN CONVEYOR - LC 97/5, d8=DRYER - LC 80, cw=ADDITIONAL BOILER FOR COLD WATER SUPPLY, dvgw=DVGW VALVE SYSTEM, wfa=WATER FLOW ADJUSTING, szc8=SPLASH ZONE WITH CILINDER - LC 84, sz8=SPLASH ZONE - LC 83, ti=TANK INSULATION, ds=DOUBLE SKIN, bp=BOOSTER PUMP, sdn3=DISPENSER SYSTEM SDN-3, 98=ANGLE LOADING TABLE - LC 98, res=RINSE ECONOMIZER SYSTEM

A=3/N/PE~380-400V 50-60Hz, D=3/PE~200-210V 50-60Hz, F=2/PE~220-240V 50-60Hz, G=3/N/PE~415V 50-60Hz, H=3/PE~220-230V 50-60Hz, K=3/PE~380-400V 50-60Hz, L=3/PE~415V 50-60Hz, M=3/PE~440V 60Hz, P=1/N/PE~220-230V 50-60Hz, R=2/PE~220-240V 50-60Hz, U=1/N/PE~240V 50-60Hz, V=3/PE~240V 50-60Hz, W=1/N/PE~100-110V 50-60Hz

vsezip.ru

+7(812)987-08-81



00\_001\_e

vsezip.ru

ID	P-code	SN from	SN to	Mod.	Acces.	Volt	Description
<b>Module: Baskets [151,160,210,250,300,310,300LC,310LC,300,380LC,400,440,440LC,510,510LC,540,540LC]</b>							
24600	C40		-				Place conveyor basket
24605	C41		-				Tight mesh conveyor basket for cutlery
24610	C47		-				Small 8 place cutlery basket
24615	C43		-				535mm tray conveyor basket
24620	C44		-				Mod.07 universal conveyor basket
24625	C112		-				5x5 vertical glass conveyor basket
24630	C113		-				4x4 vertical glass conveyor basket
24635	C114		-				6x6 vertical glass conveyor basket

em=ELECTROMECHANICAL SWITCHES, uw=LOWER AND UPPER WASHER

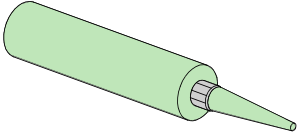
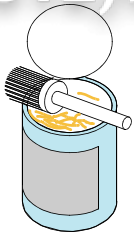
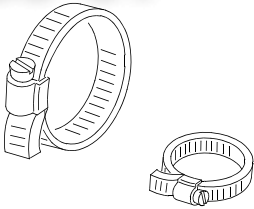
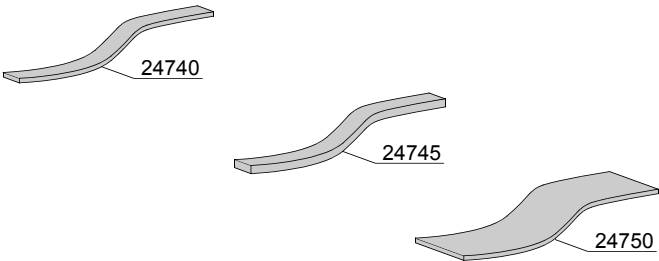
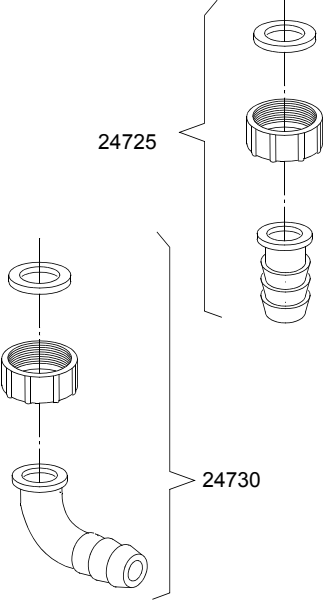
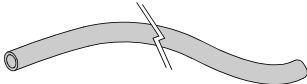
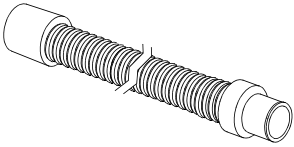
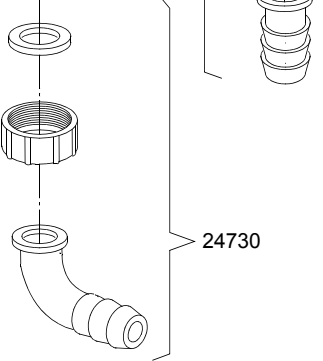
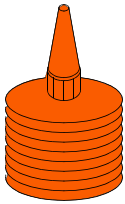
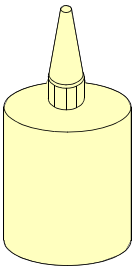
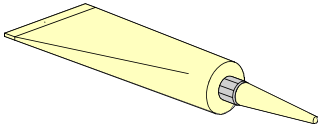
34HS=34HS

sc8=STEAM CONDENSER - LC 81, csa=CONVEYOR SPEED ADJUSTING - LC 101, 972=90°MOTORIZED CHAIN CONVEYOR - LC 97/2, 973=180°MOTORIZED CHAIN CONVEYOR - LC 97/3, 974=DRYER WITH 90° MOTORIZED CHAIN CONVEYOR - LC 97/4, 975=DRYER WITH 180° MOTORIZED CHAIN CONVEYOR - LC 97/5, d8=DRYER - LC 80, cw=ADDITIONAL BOILER FOR COLD WATER SUPPLY, dvgw=DVGW VALVE SYSTEM, wfa=WATER FLOW ADJUSTING, szc8=SPLASH ZONE WITH CILINDER - LC 84, sz8=SPLASH ZONE - LC 83, ti=TANK INSULATION, ds=DOUBLE SKIN, bp=BOOSTER PUMP, sdn3=DISPENSER SYSTEM SDN-3, 98=ANGLE LOADING TABLE - LC 98, res=RINSE ECONOMIZER SYSTEM

A=3/N/PE~380-400V 50-60Hz, D=3/PE~200-210V 50-60Hz, F=2/PE~220-240V 50-60Hz, G=3/N/PE~415V 50-60Hz, H=3/PE~220-230V 50-60Hz, K=3/PE~380-400V 50-60Hz, L=3/PE~415V 50-60Hz, M=3/PE~440V 60Hz, P=1/N/PE~220-230V 50-60Hz, R=2/PE~220-240V 50-60Hz, U=1/N/PE~240V 50-60Hz, V=3/PE~240V 50-60Hz, W=1/N/PE~100-110V 50-60Hz

vsezip.ru

+7(812)987-08-81

 <p>24700</p>	 <p>24705</p>	 <p>24760</p>
		
 <p>24755</p>	 <p>24735</p>	
 <p>24765</p>	 <p>24770</p>	 <p>24775</p>

vsezip.ru

ID	P-code	SN from	SN to	Mod	Acces.	Volt	Description
<b>Module: Accessory</b>							
<b>[151,160,210,250,300,310,300LC,310LC,380,380LC,400,440,440LC,510,510LC,540,540LC,BX230,BX280,BX300]</b>							
24700	---		-				Silicone UNI 9610 - UNI 9611
24705	---		-				Grease for higt temperatures CCIAA 629224
24705	---		-				Grease for food - Loctite 8104 Cat. N° 26560
24725	15613/A		-				Fitting exauster
24730	15613		-				1" 1/4x30 nylon elbow
24735	10727		-				Exauster pipe Ø 24mm
24735	10200112		-				Exauster pipe Ø 32mm
24740	15750		-				20x2 self-stick mousse
24745	15751		-				20x4 self-stick mousse
24750	15752		-				60x2 self-stick mousse
24755	2907350		-				Flexible pipe EPDM Ø12
24755	2907352		-				Flexible pipe EPDM Ø12 - WRAS
24755	2907353		-				Flexible pipe EPDM Ø12
24760	11807		-				Steel hose clamp 15/24
24760	11806		-				Steel hose clamp 25/40
24760	11810		-				Steel hose clamp 40/60
24760	11824		-				Steel hose clamp 50/70
24760	2902491		-				Steel hose clamp 60/80
24765	---		-				-50°C +150°C threads dope
24770	---		-				Loctite 542 Cat.N° 54246 - DIN-DVGW 86.02 e 125
24770	---		-				Loctite 243 Cat.N° 18937 - 19386
24775	---		-				Loctite 511 Cat.N° 24003 - DIN-DVGW 86.01 e 125
24775	---		-				Loctite 577 Cat.N° 25392

em=ELECTROMECHANICAL SWITCHES, uw=LOWER AND UPPER WASHER

34HS=34HS

sc8=STEAM CONDENSER - LC 81, csa=CONVEYOR SPEED ADJUSTING - LC 101, 972=90°MOTORIZED CHAIN CONVEYOR - LC 97/2, 973=180°MOTORIZED CHAIN CONVEYOR - LC 97/3, 974=DRYER WITH 90° MOTORIZED CHAIN CONVEYOR - LC 97/4, 975=DRYER WITH 180° MOTORIZED CHAIN CONVEYOR - LC 97/5, d8=DRYER - LC 80, cw=ADDITIONAL BOILER FOR COLD WATER SUPPLY, dvgw=DVGW VALVE SYSTEM, wfa=WATER FLOW ADJUSTING, szc8=SPLASH ZONE WITH CILINDER - LC 84, sz8=SPLASH ZONE - LC 83, ti=TANK INSULATION, ds=DOUBLE SKIN, bp=BOOSTER PUMP, sdn3=DISPENSER SYSTEM SDN-3, 98=ANGLE LOADING TABLE - LC 98, res=RINSE ECONOMIZER SYSTEM

A=3/N/PE~380-400V 50-60Hz, D=3/PE~200-210V 50-60Hz, F=2/PE~220-240V 50-60Hz, G=3/N/PE~415V 50-60Hz, H=3/PE~220-230V 50-60Hz, K=3/PE~380-400V 50-60Hz, L=3/PE~415V 50-60Hz, M=3/PE~440V 60Hz, P=1/N/PE~220-230V 50-60Hz, R=2/PE~220-240V 50-60Hz, U=1/N/PE~240V 50-60Hz, V=3/PE~240V 50-60Hz, W=1/N/PE~100-110V 50-60Hz