

TABLE
KI3410

REV
02

K 1600

Зип Общепит

vsezip.ru

+7(812)957-0881

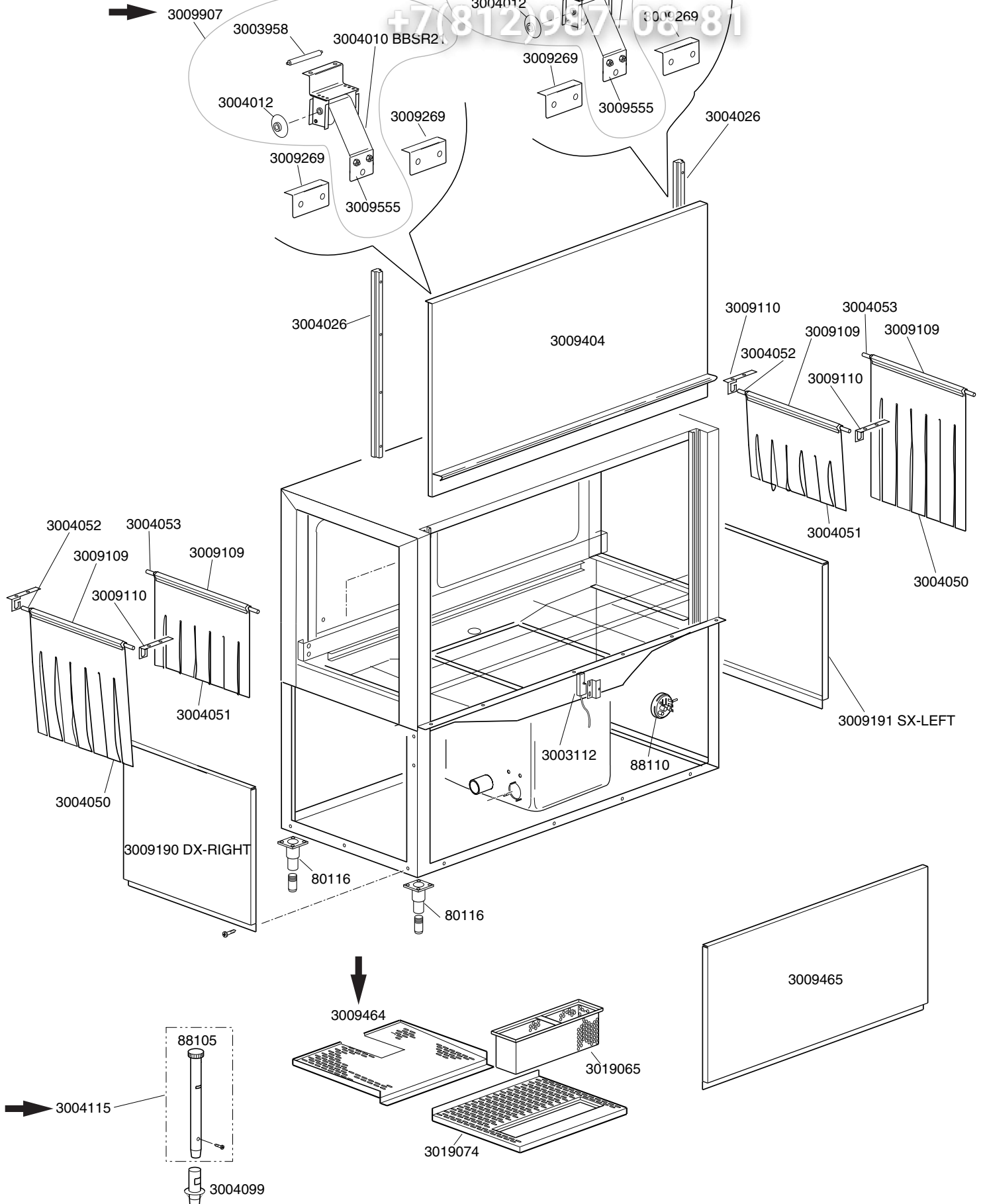


TABLE
KI3420

REV
04

K 1600

Зип Ощепит

vsezip.ru

+7(812)987-08-81

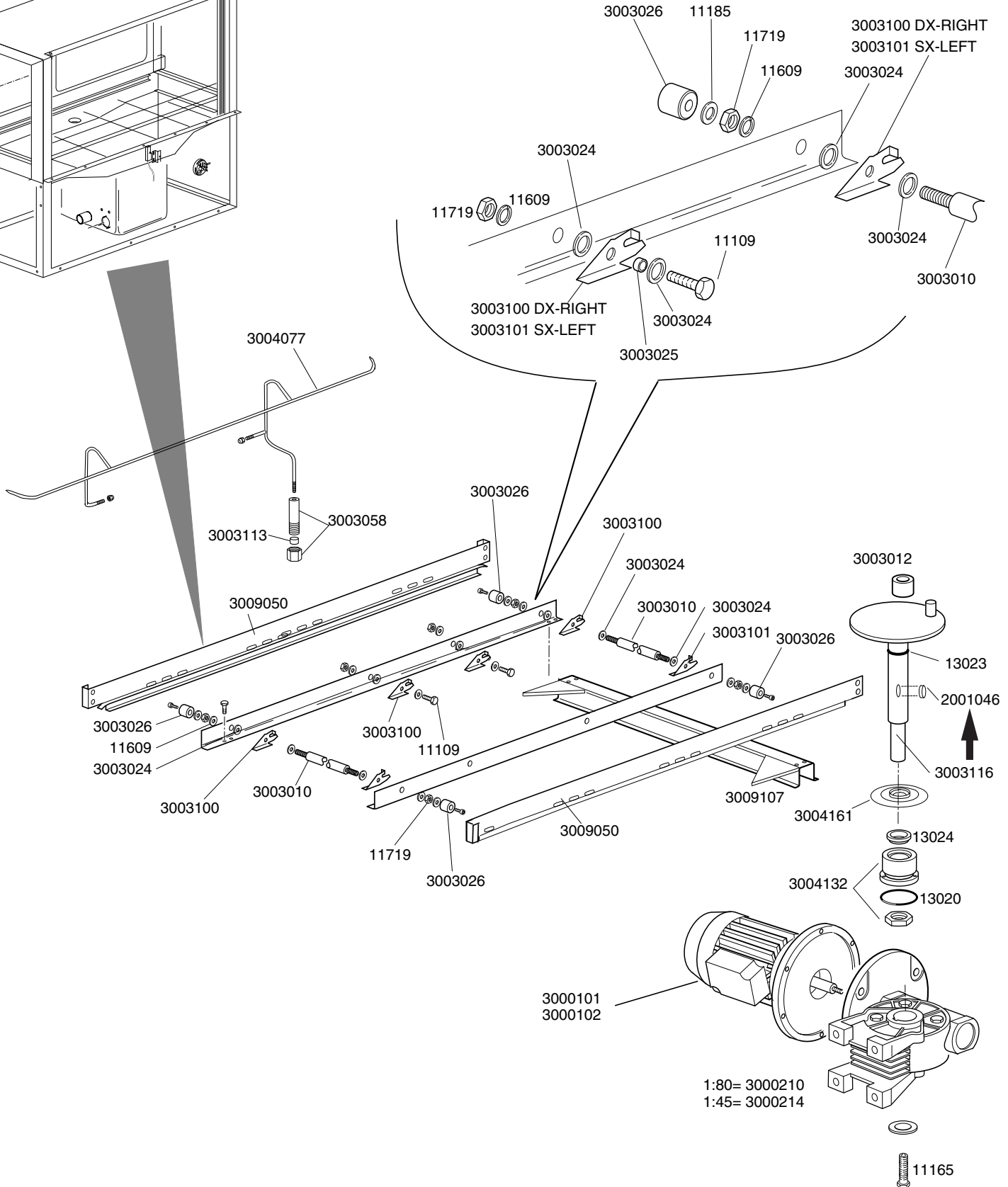
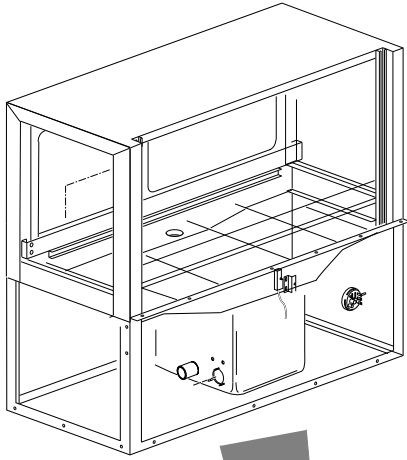


TABLE
KI3430

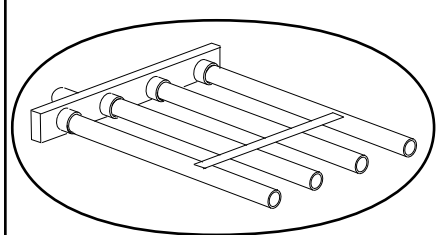
REV
06

K 1600

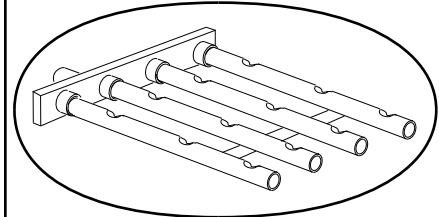
Зип Общепит

vsezip.ru

+7(812)987-08-81



3004113



3004114

VERSIONE DESTRA
RIGHT VERSION

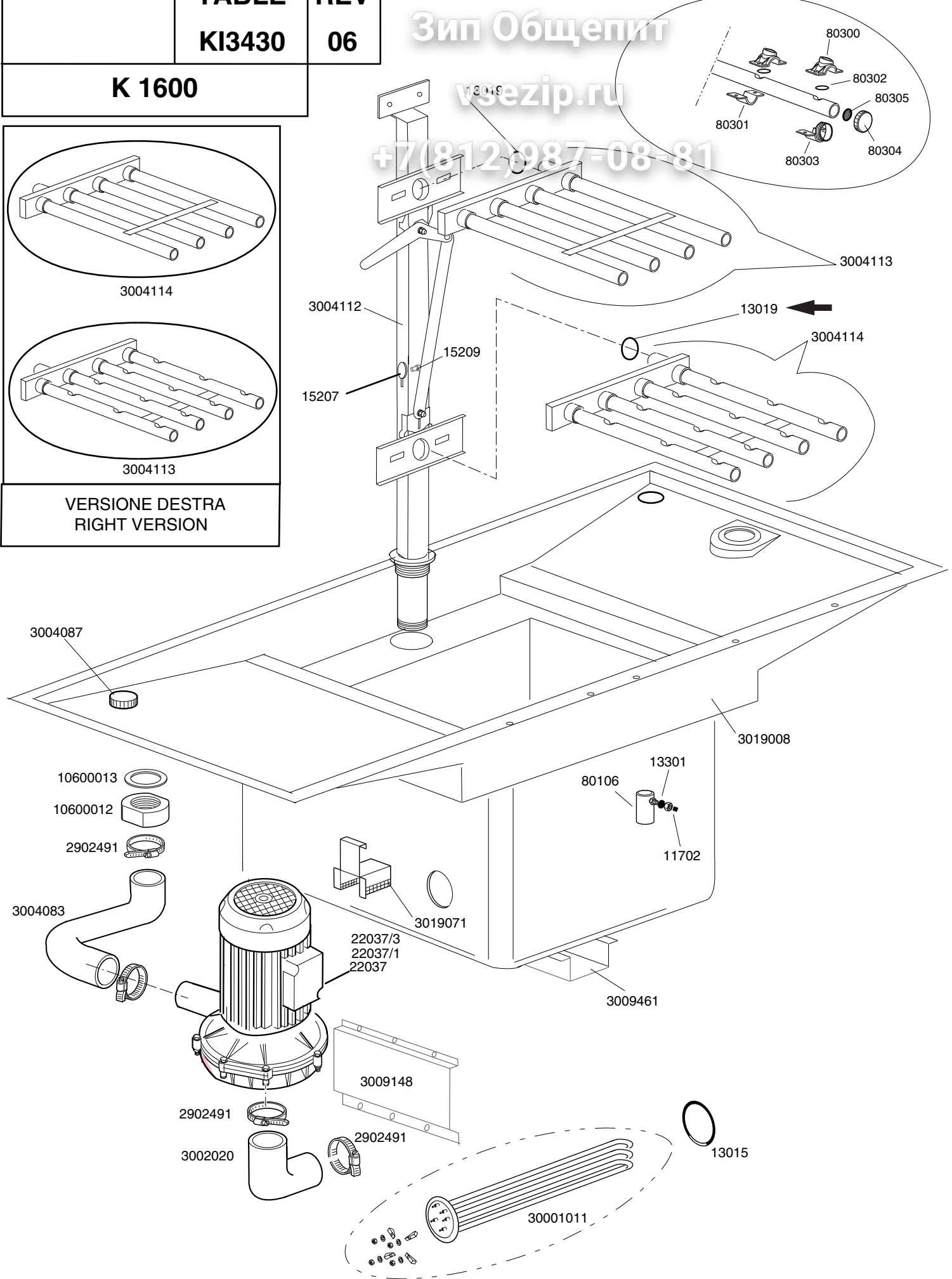


TABLE
KI3440

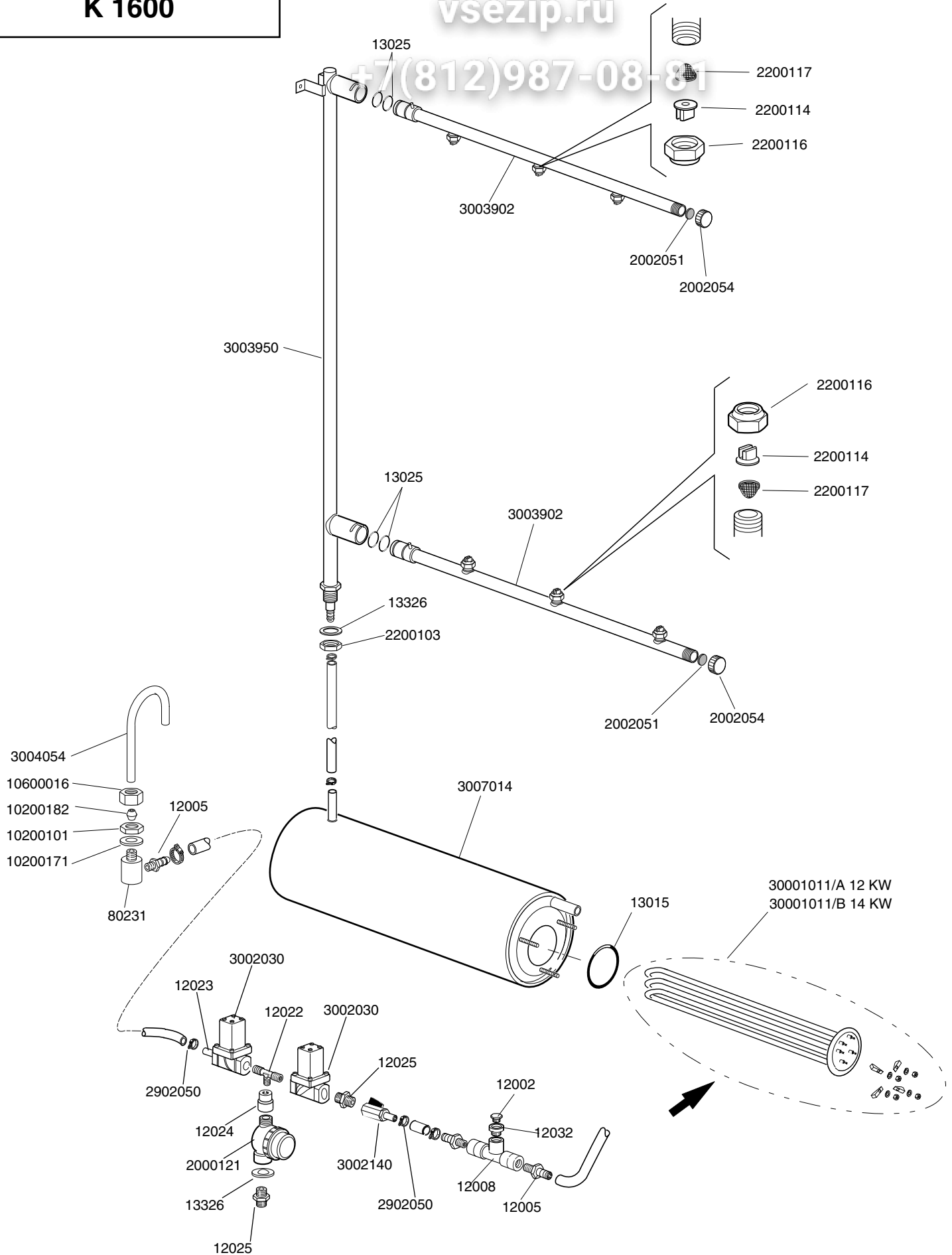
REV
05

K 1600

Зип Общепит

vsezip.ru

+7(812)987-08-81



Зип Общепит

vsezip.ru

+7(812)987-08-81

DISHWASHER K 1600		TABLE KI3440	
CODE	DESCRIPTION	CODE	DESCRIPTION
12002	Plug 1/8		
12005	Hose holder 1/4 for pipe d.12		
12008	Connection "T" 1/4		
12022	Union tee 1/2 MM		
12023	Rubber holder mM 1/2		
12024	Reduction nipples 1/2-3/4 M		
12025	Nipples 3/4 MM		
12032	Reduction 1/8-1/4		
2200117	Filtre for rinse jet		
13015	OR-6225 gasket		
13025	OR-2081 gasket		
13326	38x27x2 gasket		
80231	Inlet pipe fitting		
2000121	Load water line filter		
2002051	Plug gasket		
2002054	Plug for arm		
2200103	Hexagon 3/4 nut 34x8		
2200114	Stainless steel nozzle I-C1-030/110		
2200116	3/8F stainless steel ferrule		
2902050	15-24 stainless stel clamp		
3002030	OT58 1/2" solenoid valve		
3002140	Tap FF 1/2		
3003902	3 nozzle stainless steel rinsing arm		
3003950	Right-left stainless steel rinsing ramp		
3004054	Tank water inlet pipe		
3007014	Boiler Aisi-316		
10200101	Stainless steel pipe union nut 3/8		
10200171	FASIT 25x17x2 gasket		
10200182	Biconic washer 12		
10600016	Coupling 3/8" nut		
30001011/A	12000W heating element		
30001011/B	14000W heating element		

	TABLE	REV
	KI3450	01
K 1600		

Зип Общепит

vsezip.ru

+7(812)987-08-81

MAGNETOTERMICO
MAGNETOTHERMIC
4÷6,3 A 2000400
1,1÷1,6A 2000390

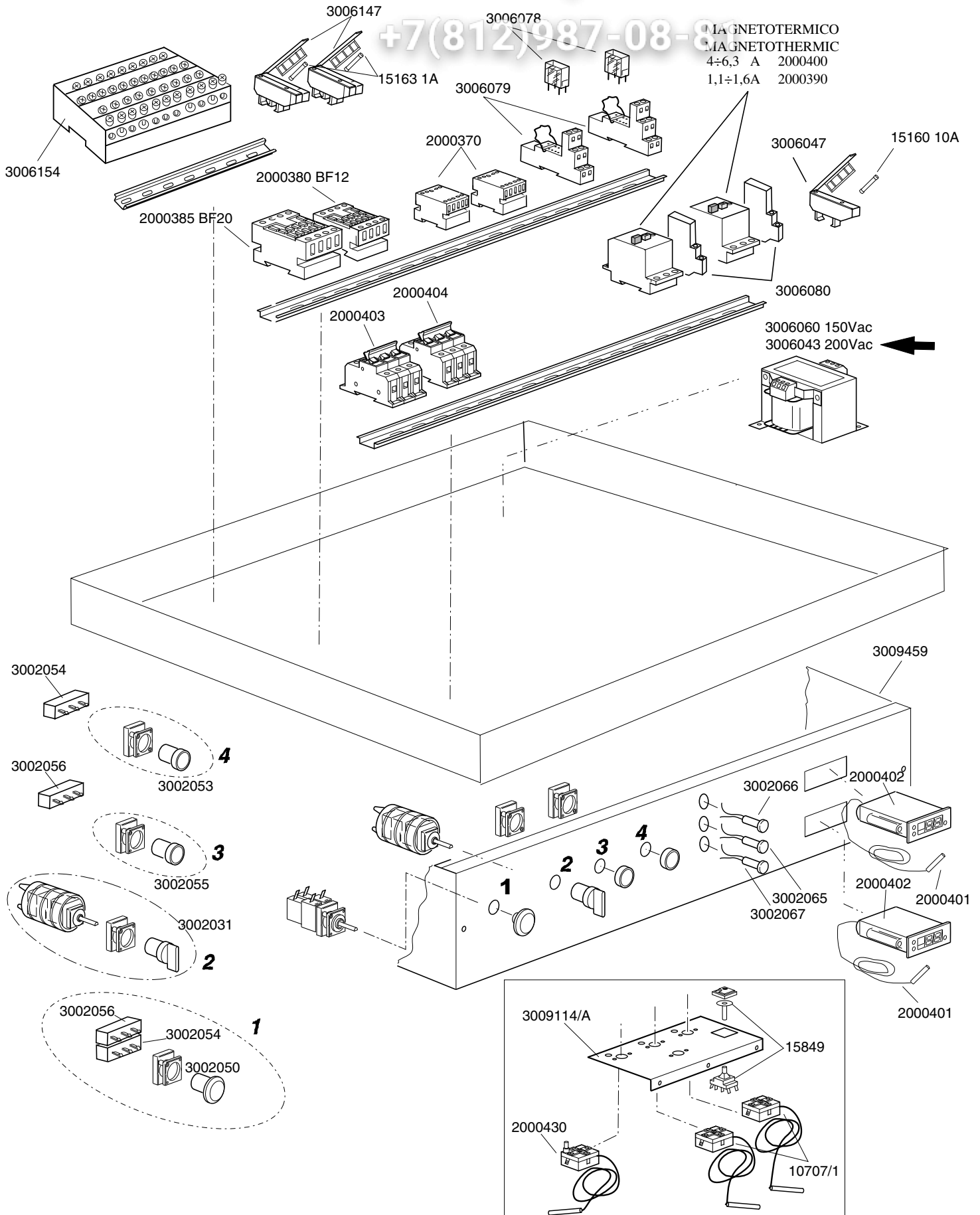


	TABLE	REV
	KI3490	01
K 1600		

Зип Общепит

vsezip.ru

+7(812)987-08-81

OPTIONAL ASCIUGATURA
DRIYNG OPTIONAL

2000370
2000390
2000393
3006074

OPTIONAL CONDENSA VAPORI
STEAM CONDENSER OPTIONAL

2000370
2000390

