

Зип Общепит

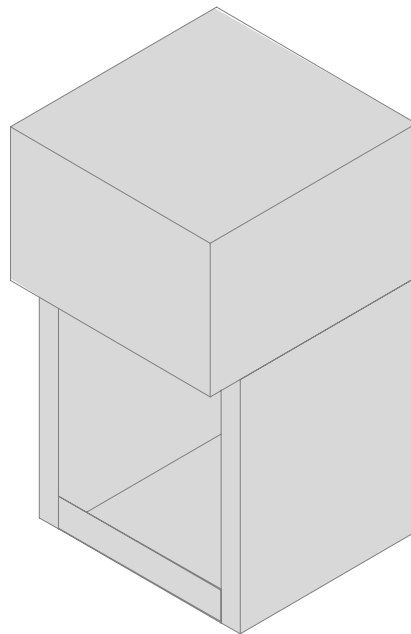
vsezip.ru

+7(812)987-08-81

RACK CONVEYOR MACHINE

TYPE: d9

Spare parts manual



S/N:

Valid from:..11/2002

Rev.: 2.0

Зип Общепит

vsezip.ru

+7(812)987-08-81

vsezip.ru

+7(812)987-08-81

1. Spare parts

| | |
|---|----|
| Time relay | 5 |
| Dryer LC 90 - LC90/2 (6 - 12kW) - part 1 | 7 |
| Dryer LC 90 (6kW) - part 2 | 9 |
| Dryer LC 90 - LC 90/2 (6 - 12kW) - electric components | 11 |
| Dryer LC 90 - LC 90/2 (6 - 12kW) - electric components | 13 |
| Dryer LC 90 - LC 90/2 -LC 90/4 (6 - 12 - 18kW) - electric components | 15 |
| Dryer LC 90 - LC 90/2 -LC90/4 (6 - 12 - 18kW) - electric components | 17 |
| Dryer LC 90 - LC 90/2 - LC 90/4 (6 - 12 - 18kW) - electric components | 19 |
| Dryer LC 90 - LC 90/2 - LC 90/4 (6 - 12 - 18kW) - electric components | 21 |
| Dryer LC 90 - LC90/2 (6 - 12kW) - electric components | 23 |
| Dryer LC 90 - LC90/2 (6 - 12kW) - electric components | 25 |

vsezip.ru

+7(812)987-08-81

1.1 Voltage codes

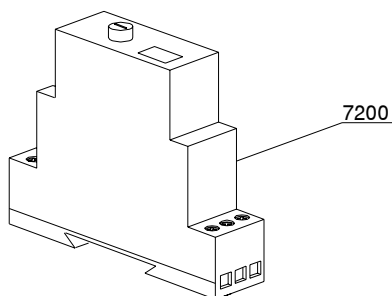
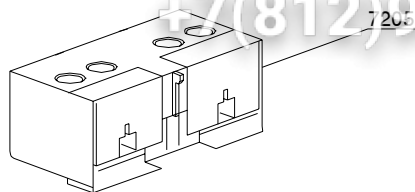
| Voltage code | Voltage |
|--------------|----------------------|
| A | 3/N/PE~400/230V 50Hz |
| B | ~250V 16A 50Hz |
| C | 3/N/PE~380/220V 50Hz |
| D | 3/PE~200V 50-60Hz |
| F | 2/PE 220-240V 50Hz |
| G | 3/N/PE~415/240V 50Hz |
| H | 3/PE~230V 50Hz |
| I | 3/PE~220V 60Hz |
| J | 3/PE~380 50Hz |
| K | 3/PE~400V 50Hz |
| L | 3/PE~415V 50Hz |
| M | 3/PE~440V 60Hz |
| N | 3/PE~460V 60Hz |
| O | 3/PE~480V 60Hz |
| P | 1/N/PE~220-240V 50Hz |
| R | 2/PE~220-230V 60Hz |
| S | 3/N/PE~400/230V 50Hz |
| T | 3/PE~230V 60Hz |

1.2 Product codes

| Product code | Full name |
|-----------------|-----------|
| Model codes | |
| | |
| Type codes | |
| d9 | d9 |
| Accessory codes | |
| | |
| | |
| | |
| | |

vsezip.ru

+7(812)987-08-81



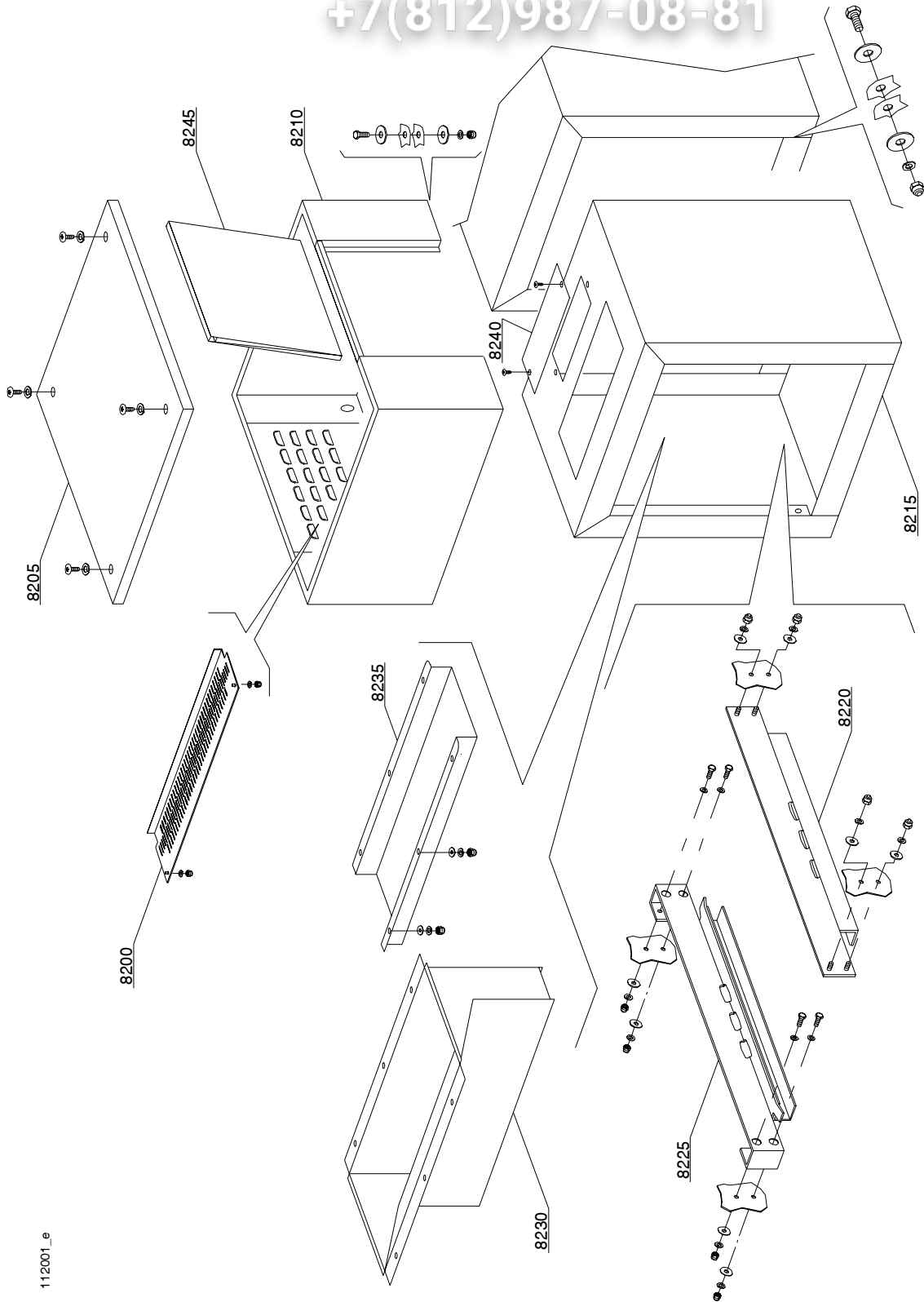
07_001_e

vsezip.ru

| ID | P-code | Model | Type | Accessory | Voltage | Description |
|-------------------|---------|-------|--|-----------|---------|-------------------------------|
| MODULE:Time relay | | | | | | |
| 7200 | 3006225 | | 34,34HS,22,23,24,25,26,27,28,71,71G,39,sc8,sc9,d8,d9,d92,d94,974,975 | | A | Time relay 24V |
| 7205 | 3006068 | | 34,34HS,22,23,24,25,26,27,28,71,71G,39,sc8,sc9,d8,d9,d92,d94,974,975 | | A | MC9 auxiliary contact 1NO-1NC |
| 7205 | 3002057 | | 34,34HS,22,23,24,25,26,27,28,71,71G,39,sc8,sc9,d8,d9,d92,d94,974,975 | | A | MC9 auxiliary contact 2NO |
| 7205 | 3002052 | | 34,34HS,22,23,24,25,26,27,28,71,71G,39,sc8,sc9,d8,d9,d92,d94,974,975 | | A | MC9 auxiliary contact 2NC |
| | | | | | | |
| | | | | | | |
| | | | | | | |
| | | | | | | |
| | | | | | | |
| | | | | | | |

vsezip.ru

+7(812)987-08-81



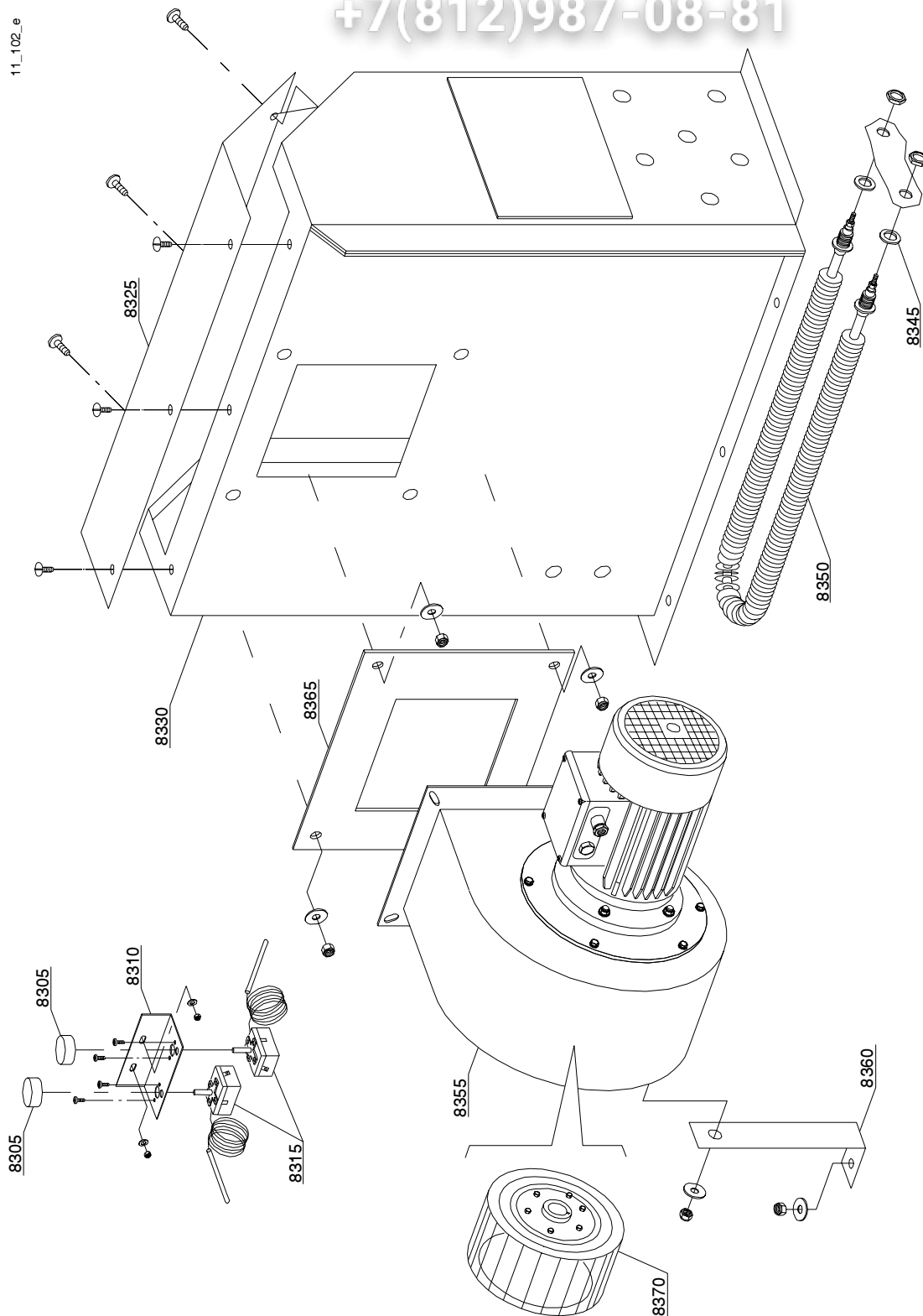
112001_e

vsezip.ru

| ID | P-code | Model | Type | Accessory | Voltage | Description |
|---|-----------|-------|---|-----------|---------|---------------------|
| MODULE: Dryer LC 90 - LC 90/2 (6 - 12kW) - part 1 | | | | | | |
| 8200 | 3009362/A | | 22,160,23,24,250,25,26,380,380L,27,28,540,540L,71,72,d9,d92 | | | Protection |
| 8205 | 3009267 | | 22,160,23,24,250,25,26,380,380L,27,28,540,540L,71,72,d9,d92 | | | Cover panel |
| 8210 | 3009484 | | 22,160,23,24,250,25,26,380,380L,27,28,540,540L,71,72,d9,d92 | | | Complete body |
| 8215 | 3009485 | | 22,160,23,24,250,25,26,380,380L,27,28,540,540L,71,72,d9,d92 | | | Dryer module |
| 8220 | 3009047 | | 22,160,23,24,250,25,26,380,380L,27,28,540,540L,71,72,d9,d92 | | | Front slideways |
| 8225 | 3009057 | | 22,160,23,24,250,25,26,380,380L,27,28,540,540L,71,72,d9,d92 | | | Back slideways |
| 8230 | 3009492 | | 22,160,23,24,250,25,26,380,380L,27,28,540,540L,71,72,d9,d92 | | | Flow conveyer |
| 8235 | 3009434 | | 22,160,23,24,250,25,26,380,380L,27,28,540,540L,d9 | | | Splash guard |
| 8245 | 3009268 | | 22,160,23,24,250,25,26,380,380L,27,28,540,540L,71,72,d9,d92 | | | Dryer carter lockup |
| | | | | | | |
| | | | | | | |

vsezip.ru

+7(812)987-08-81



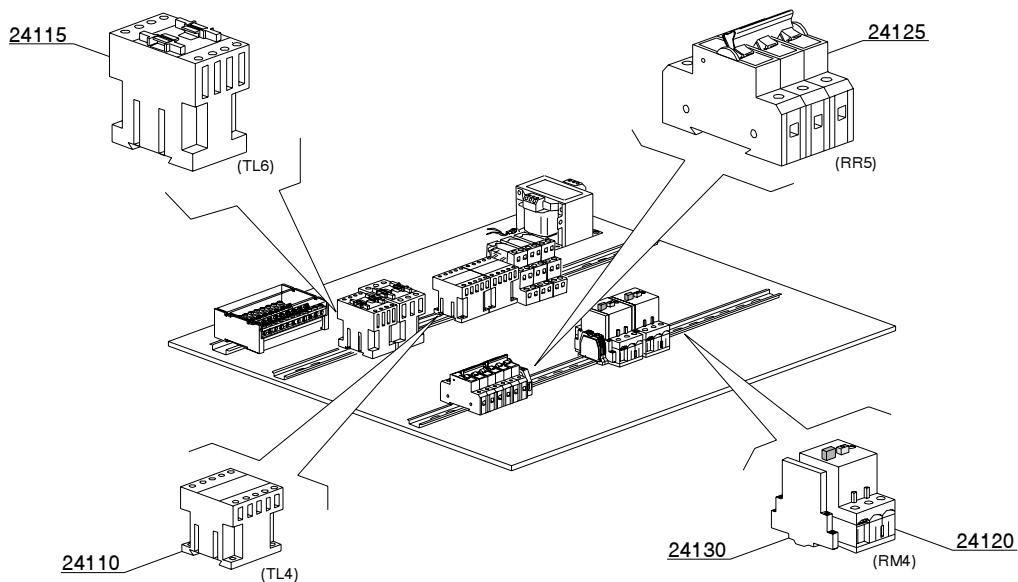
vsezip.ru

| ID | P-code | Model | Type | Accessory | Voltage | Description |
|-----------------------------------|----------|-------|------------------------------------|-----------|---------|---------------------------------|
| MODULE:Dryer LC 90 (6kW) - part 2 | | | | | | |
| 8305 | 15105/A | | 34,34HS,22,23,24,25,26,27,28,d8,d9 | | | Thermostat knob |
| 8310 | 3009104 | | 34,34HS,22,23,24,25,26,27,28,d8,d9 | | | Thermostat support |
| 8315 | 10707/2 | | 34,34HS,22,23,24,25,26,27,28,d8,d9 | | | Thermostat with shaft 0 - 90° |
| 8325 | 3009085 | | 34,34HS,22,23,24,25,26,27,28,d8,d9 | | | Cover drying conveyor |
| 8330 | 3009486 | | 34,34HS,22,23,24,25,26,27,28,d8,d9 | | | Right drying conveyor |
| 8330 | 3009487 | | 34,34HS,22,23,24,25,26,27,28,d8,d9 | | | Left drying conveyor |
| 8345 | 10200171 | | 34,34HS,22,23,24,25,26,27,28,d8,d9 | | | Gasket FASIT 25x17x2 |
| 8350 | 2000359 | | 34,34HS,22,23,24,25,26,27,28,d8,d9 | | | Drying heating element with nut |
| 8355 | 3000300 | | 34,34HS,22,23,24,25,26,27,28,d8,d9 | | A | Motorfan 0,55 kW |
| 8360 | 3009214 | | 34,34HS,22,23,24,25,26,27,28,d8,d9 | | | Motorfan support |
| 8365 | 3009275 | | 34,34HS,22,23,24,25,26,27,28,d8,d9 | | | Flange |
| 8370 | 3000308 | | 34,34HS,22,23,24,25,26,27,28,d8,d9 | | | Pump rotor |
| | | | | | | |
| | | | | | | |
| | | | | | | |

vsezip.ru

+7(812)987-08-81

112105_e

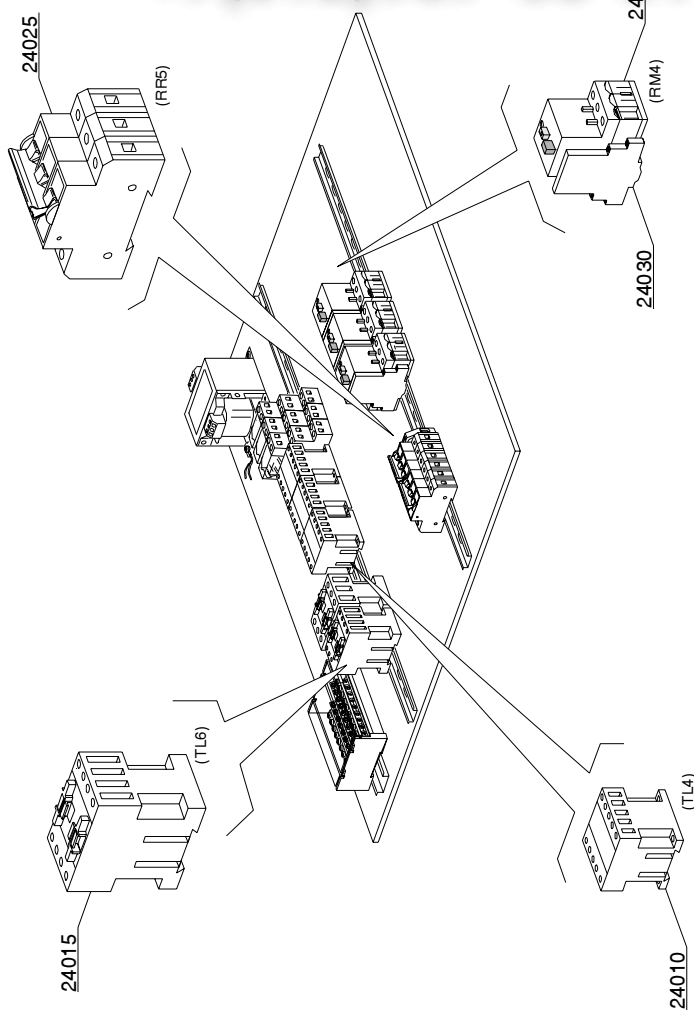


vsezip.ru

| ID | P-code | Model | Type | Accessory | Voltage | Description |
|---|---------|-------|---------------------------|-----------|---------|--|
| MODULE:Dryer LC 90 - LC 90/2 (6 - 12kW) - electric components | | | | | | |
| 24110 | 2000370 | | 22,d9,d92,974,975 | | A | Contactora MC9 |
| 24115 | 2000380 | | 22,d9 | | A | Contactora BF12 (LC90 - 6kW) |
| 24120 | 2000394 | | 22,d9,d92 | | A | Motorprotector 2,5-4A (Motorfan 0,75 kW) |
| 24130 | 3006080 | | 22,160,d9,d92,974, 975 | | A | Auxiliary contact LMS25 |

vsezip.ru

+7(812)987-08-81



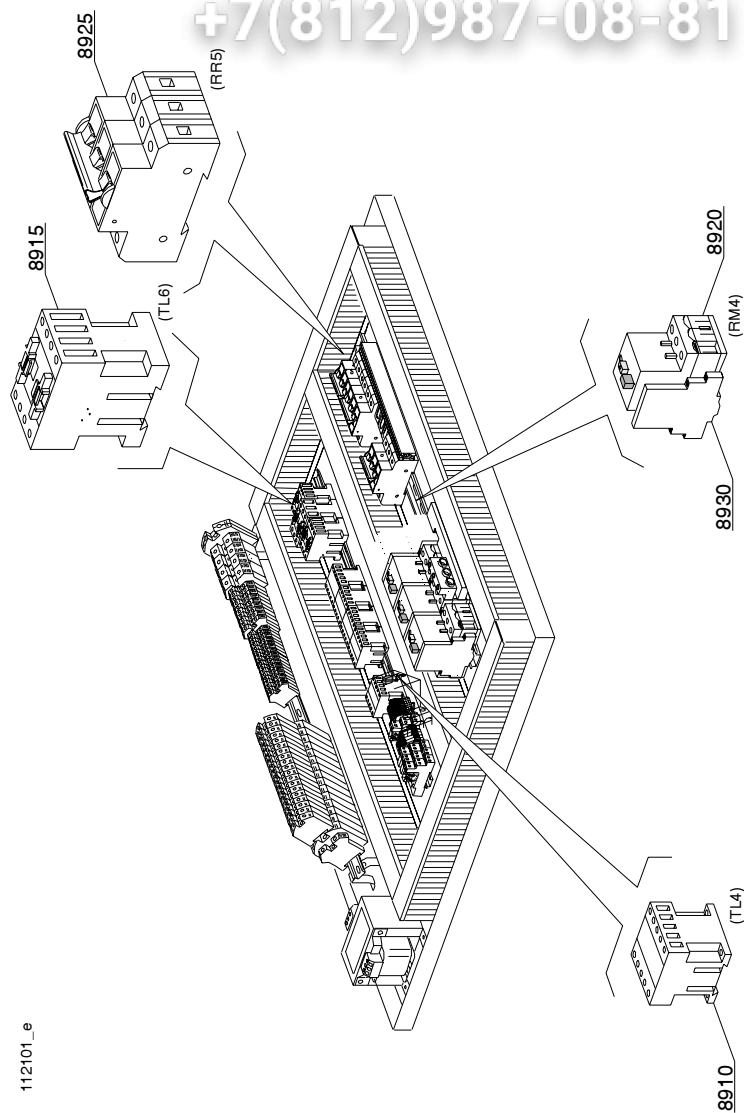
112104_e

vsezip.ru

| ID | P-code | Model | Type | Accessory | Voltage | Description |
|--|---------|-------|-------------------|-----------|---------|--|
| MODULE: Dryer LC 90 - LC 90/2 (6 - 12kW) - electric components | | | | | | |
| 24010 | 2000370 | | 23,d9,d92,974,975 | | A | Contactora MC9 |
| 24015 | 2000380 | | 23,d9 | | A | Contactora BF12 (LC90 - 6kW) |
| 24015 | 2000385 | | 23,d9,d92,974,975 | | A | Contactora BF20 (LC90/2 - 12kW) |
| 24020 | 2000394 | | 23,d9,d92 | | A | Motorprotector 2,5-4A (Motorfan 0,75 kW) |
| 24025 | 2000403 | | 23,d9 | | A | Automatic fuse C16 (LC90 - 6kW) |
| 24030 | 3006080 | | 23,d9,d92,974,975 | | A | Auxiliary contact LMS25 |
| | | | | | | |

vsezip.ru

+7(812)987-08-81



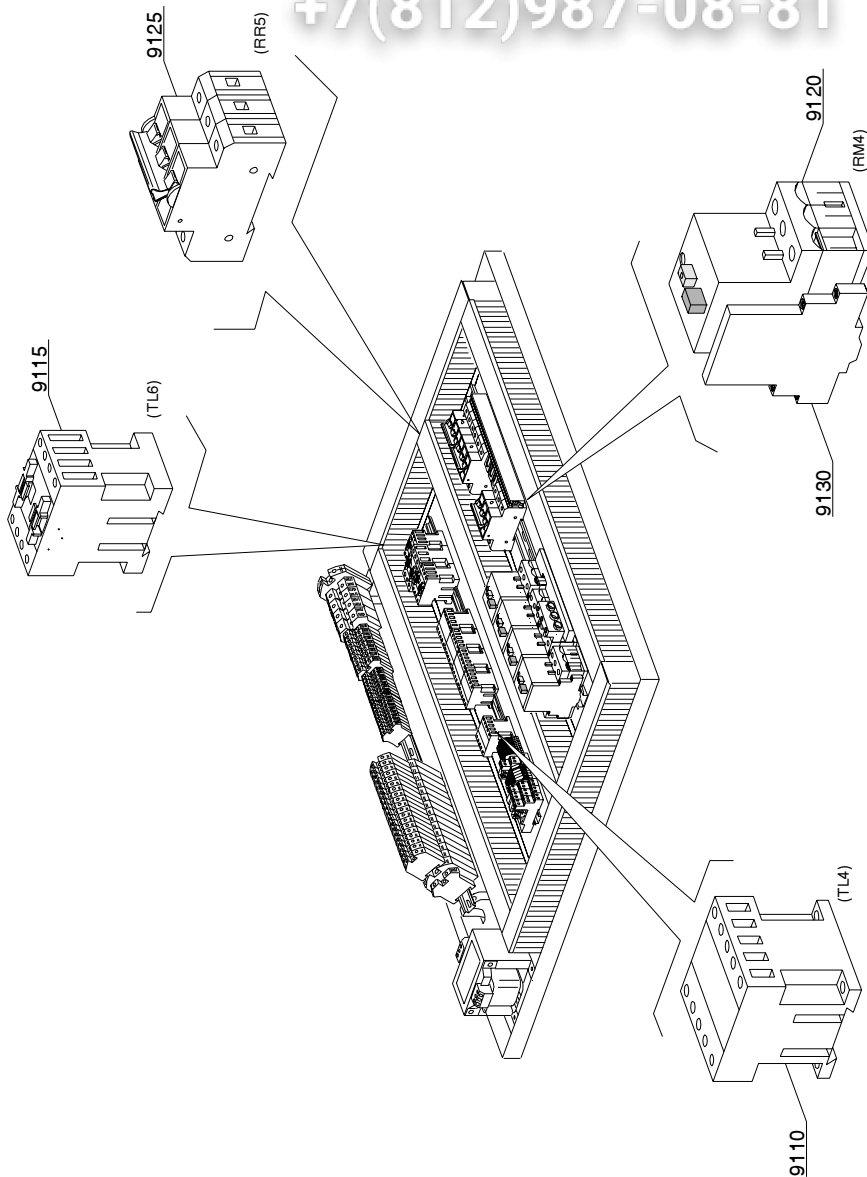
112101_e

vsezip.ru

| ID | P-code | Model | Type | Accessory | Voltage | Description |
|---|---------|-------|-------------------------------|-----------|---------|--|
| MODULE: Dryer LC 90 - LC 90/2 - LC 90/4 (6 - 12 - 18kW) - electric components | | | | | | |
| 8910 | 2000370 | | 24,250,d9,d92,974,975 ,d94 | | A | Contacteur MC9 |
| 8915 | 2000380 | | 24,d9 | | A | Contacteur BF12 (LC90 - 6kW) |
| 8920 | 2000394 | | 24,d9,d92 | | A | Motorprotector 2,5-4A (Motorfan 0,75 kW) |
| 8925 | 2000403 | | 24,d9 | | A | Automatic fuse C16 (LC90 - 6kW) |
| 8930 | 3006080 | | 24,250,d9,d92,974,975 ,d94 | | A | Auxiliary contact LMS25 |

vsezip.ru

+7(812)987-08-81



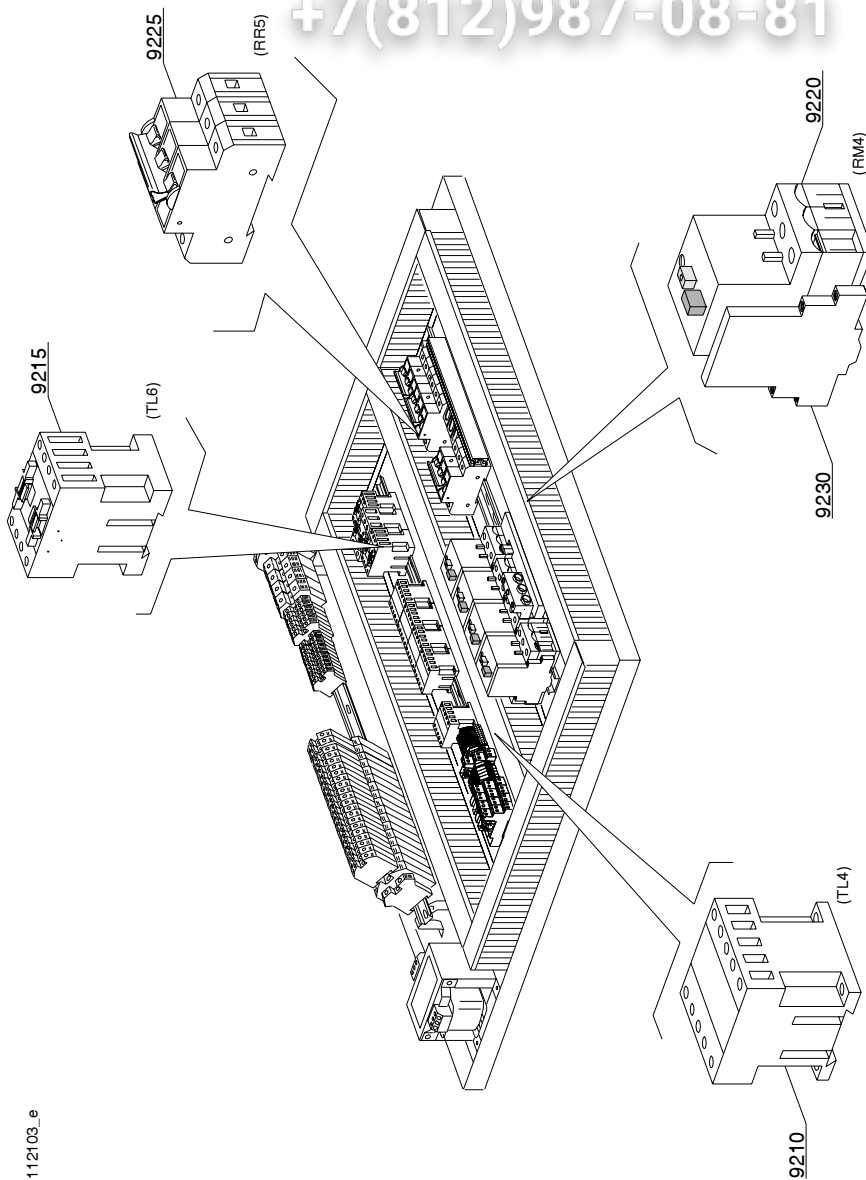
112102_e

vsezip.ru

| ID | P-code | Model | Type | Accessory | Voltage | Description |
|---|---------|-------|-----------------------|-----------|---------|--|
| MODULE: Dryer LC 90 - LC 90/2 - LC 90/4 (6 - 12 - 18kW) - electric components | | | | | | |
| 9110 | 2000370 | | 25,d9,d92,974,975,d94 | | A | Contactora MC9 |
| 9115 | 2000380 | | 25,d9 | | A | Contactora BF12 (LC90 - 6kW) |
| 9120 | 2000394 | | 25,d9,d92 | | A | Motorprotector 2,5-4A (Motorfan 0,75 kW) |
| 9125 | 2000403 | | 25,d9 | | A | Automatic fuse C16 (LC90 - 6kW) |
| 9130 | 3006080 | | 25,d9,d92,974,975,d94 | | A | Auxiliary contact LMS25 |
| | | | | | | |

vsezip.ru

+7(812)987-08-81



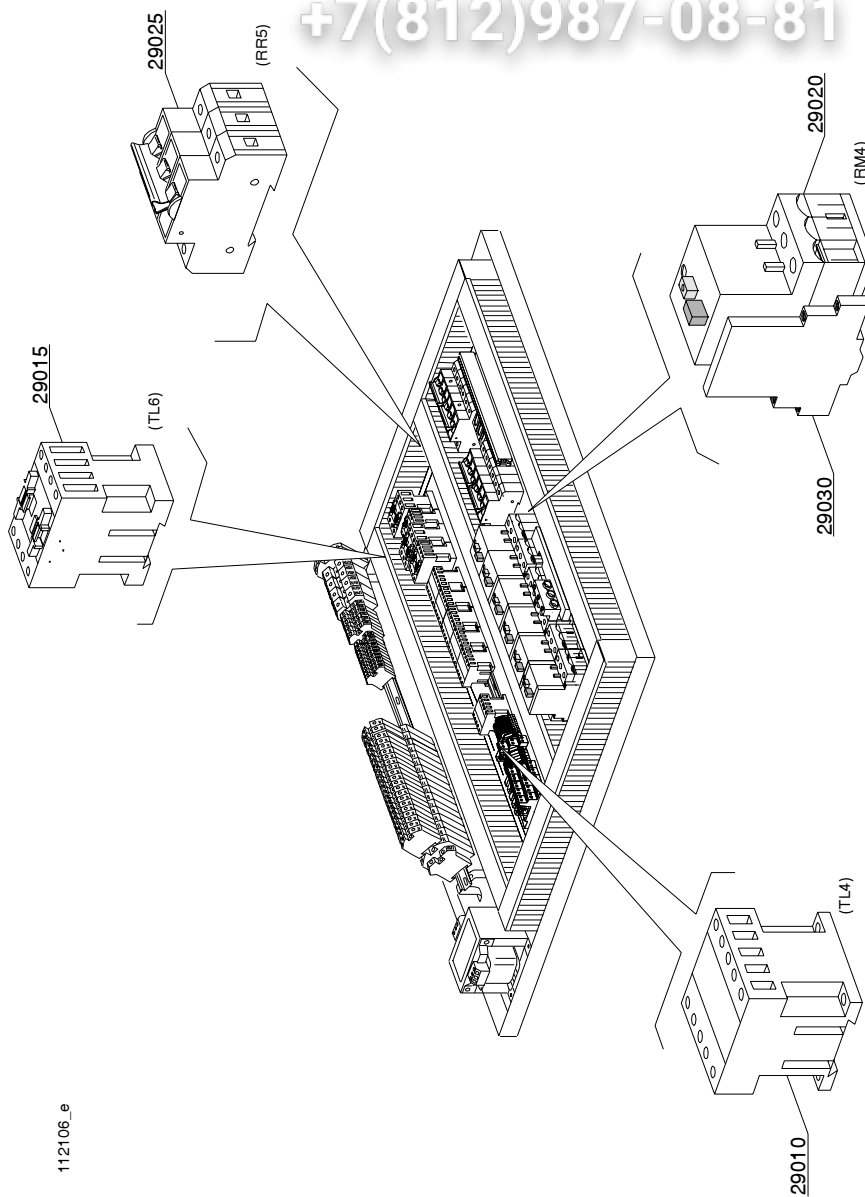
112103_e

vsezip.ru

| ID | P-code | Model | Type | Accessory | Voltage | Description |
|--|---------|-------|------------------------------------|-----------|---------|--|
| MODULE: Dryer LC 90 - LC 90/2 - LC 90/4 (6 - 12 - 18 kW) - electric components | | | | | | |
| 9210 | 2000370 | | 26,380,380L,d9,d92,97 4,975,d94 | | A | Contactora MC9 |
| 9215 | 2000380 | | 26,d9 | | A | Contactora BF12 (LC90 - 6kW) |
| 9220 | 2000394 | | 26,d9,d92 | | A | Motorprotector 2,5-4A (Motorfan 0,75 kW) |
| 9225 | 2000403 | | 26,d9 | | A | Automatic fuse C16 (LC90 - 6kW) |
| 9230 | 3006080 | | 26,380,380L,d9,d92,97 4,975,d94 | | A | Auxiliary contact LMS25 |

vsezip.ru

+7(812)987-08-81



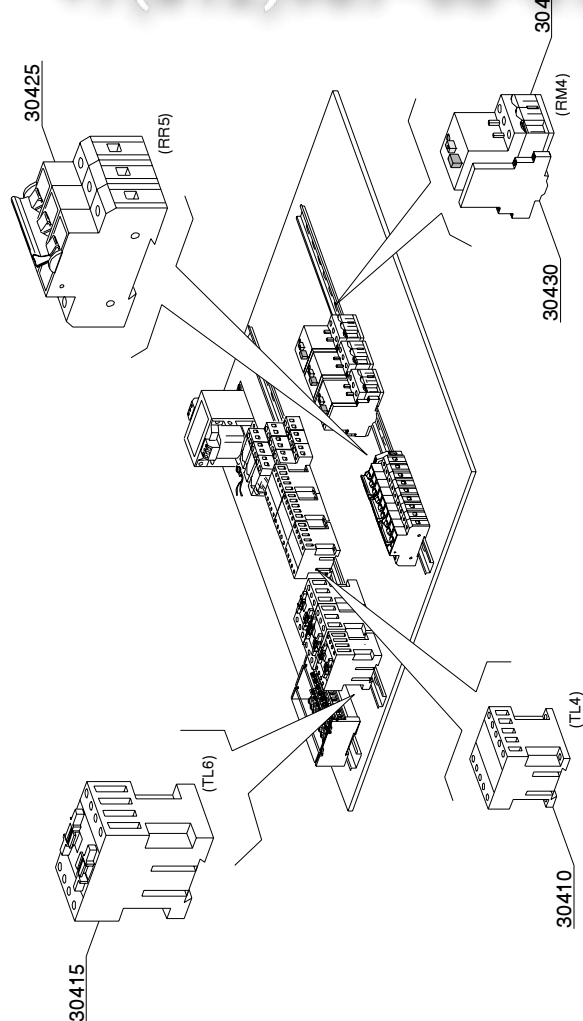
1121 06_e

vsezip.ru

| ID | P-code | Model | Type | Accessory | Voltage | Description |
|---|---------|-------|--|-----------|---------|--|
| MODULE:Dryer LC 90 - LC 90/2 - LC90/4 (6 - 12 - 18kW) - electric components | | | | | | |
| 29010 | 2000370 | | 27,28,540,540L,d9,d92, ,974,975,d94 | | A | Contactora MC9 |
| 29015 | 2000380 | | 27,28,d9 | | A | Contactora BF12 (LC90 - 6kW) |
| 29020 | 2000394 | | 27,28,d9,d92 | | A | Motorprotector 2,5-4A (Motorfan 0,75 kW) |
| 29025 | 2000403 | | 27,28,d9 | | A | Automatic fuse C16 (LC90 - 6kW) |
| 29030 | 3006080 | | 27,28,540,540L,d9,d92, ,974,975,d94 | | A | Auxiliary contact LMS25 |

vsezip.ru

+7(812)987-08-81



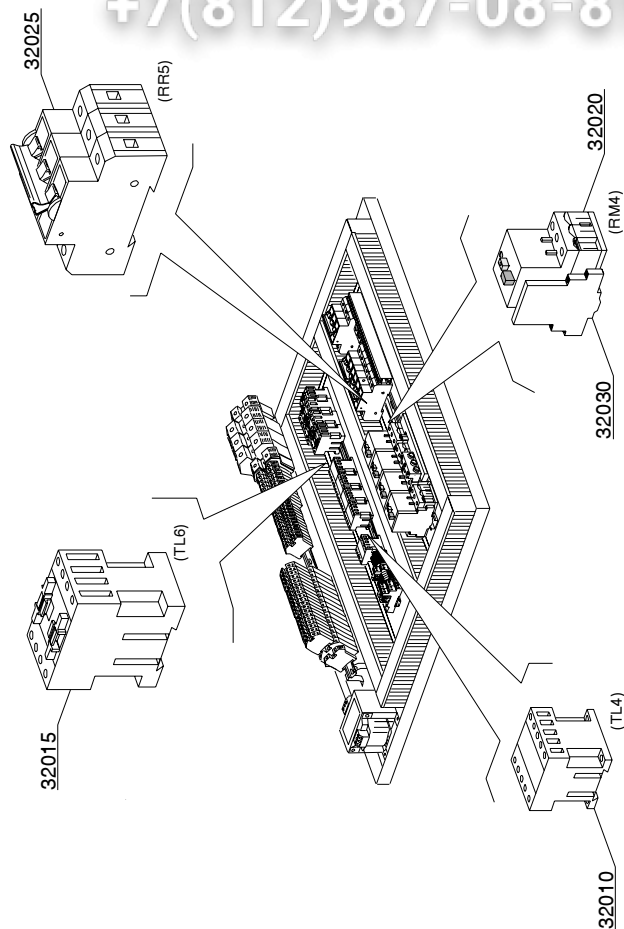
112107_e

vsezip.ru

| ID | P-code | Model | Type | Accessory | Voltage | Description |
|---|---------|-------|-------------------|-----------|---------|--|
| MODULE:Dryer LC 90 - LC 90/2 (6 - 12kW) - electric components | | | | | | |
| 30410 | 2000370 | | 71,d9,d92,974,975 | | A | Contactora MC9 |
| 30420 | 2000394 | | 71,d9,d92 | | A | Motorprotector 2,5-4A (Motorfan 0,75 kW) |
| 30430 | 3006080 | | 71,d9,d92,974,975 | | A | Auxiliary contact LMS25 |

vsezip.ru

+7(812)987-08-81



112108_e

vsezip.ru

| ID | P-code | Model | Type | Accessory | Voltage | Description |
|---|---------|-------|-------------------|-----------|---------|--|
| MODULE:Dryer LC 90 - LC 90/2 (6 - 12kW) - electric components | | | | | | |
| 32010 | 2000370 | | 72,d9,d92,974,975 | | A | Contactor MC9 |
| 32020 | 2000394 | | 72,d9,d92 | | A | Motorprotector 2,5-4A (Motorfan 0,75 kW) |
| 32030 | 3006080 | | 72,d9,d92,974,975 | | A | Auxiliary contact LMS25 |
| | | | | | | |
| | | | | | | |
| | | | | | | |
| | | | | | | |