

Зип Общепит

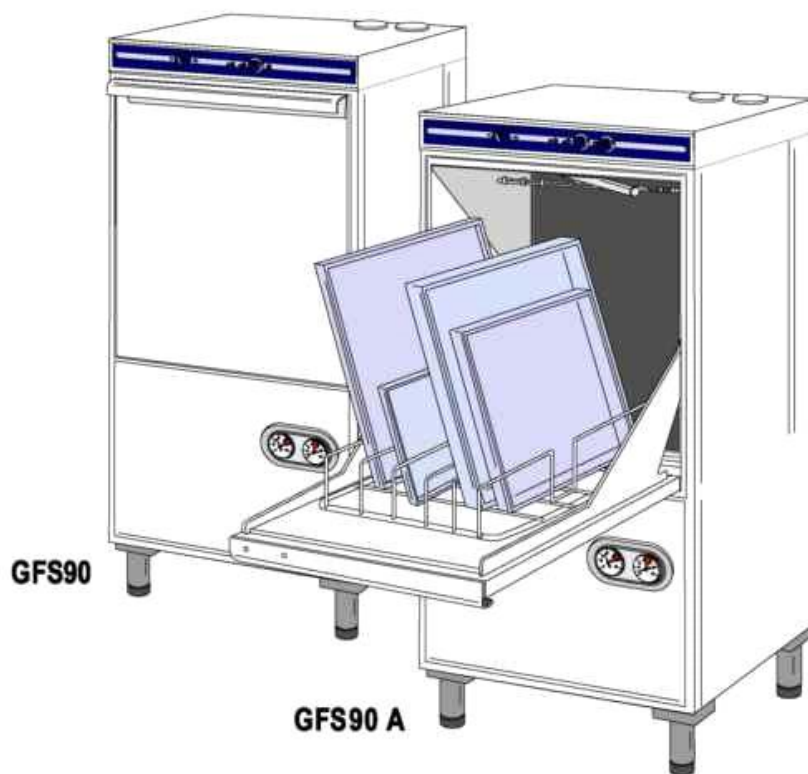
PARTI DI RICAMBIO  
PIECES DETACHEES  
SPARE PARTS  
ERSATZTEILE

vsezip.ru

**GFS90**

(812)987-08-81

**GFS90 A**



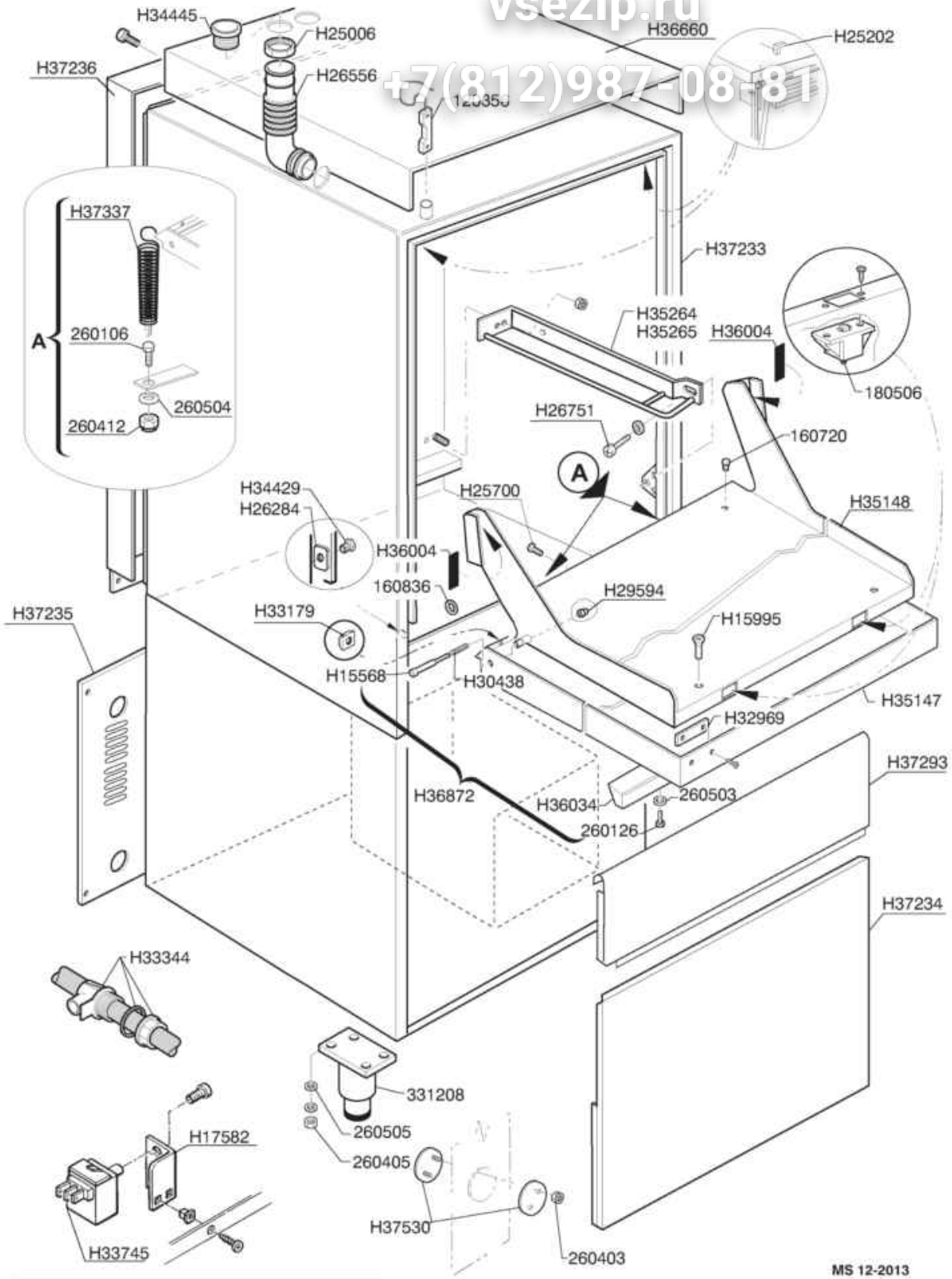
- 
- 1 Hood
  - 2 Tank
  - 3 Wash/Rinse column
  - 4 Wash and rinse arm
  - 5 Pump
  - 6 Thermostat/Solenoid Valve Group
  - 7 Control Box
  - 8 Drain pump
  - 9 Rinse aid injector
  - 10 Detergent dispenser
  - 11 Rack

vsezip.ru

+7(812)987-08-81

vsezip.ru

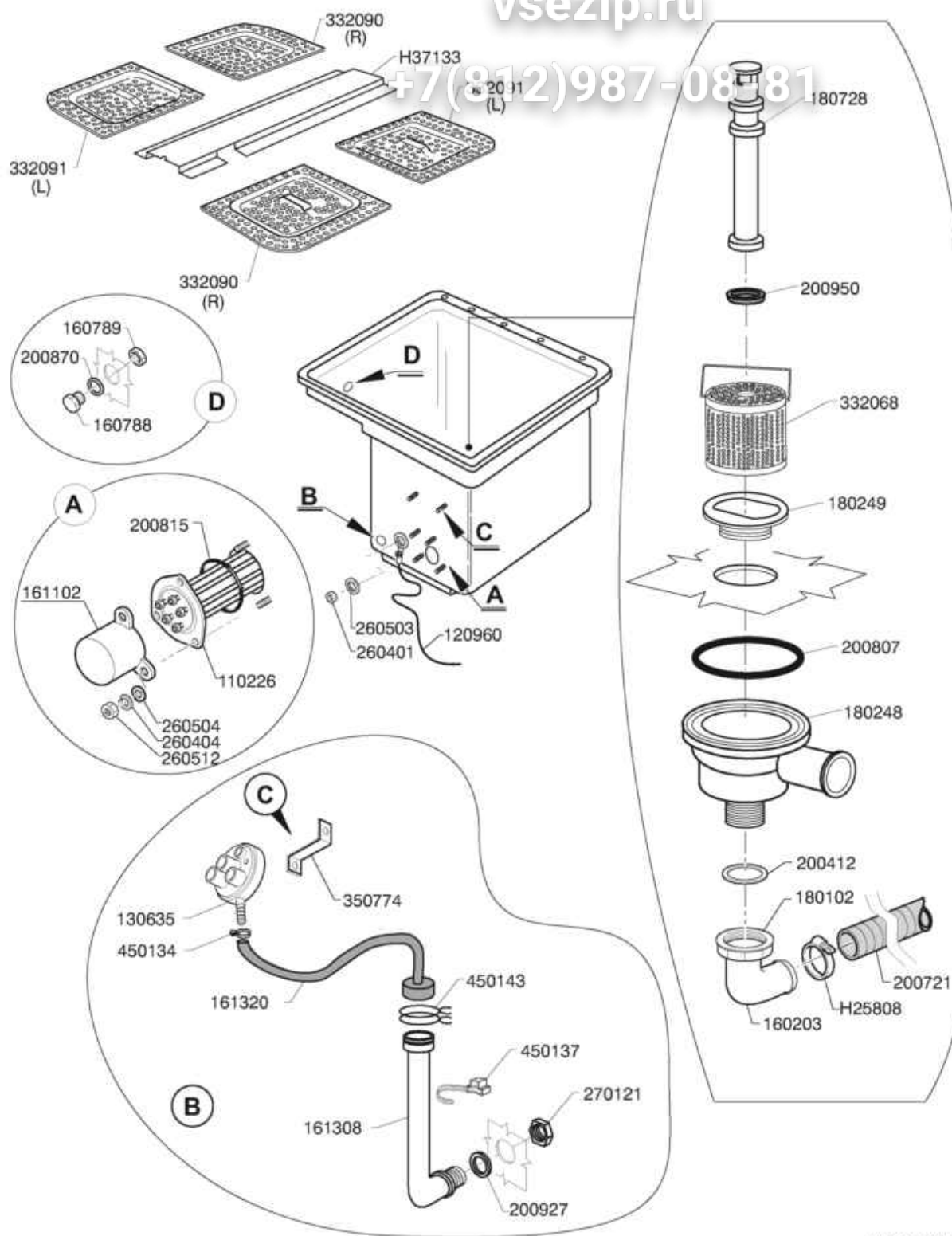
+7(812)987-08-81



Code	Description	Price (EUR)
120356	DOOR MAGN.SWITCH	25.50
160720	PLUG HEYCO D.8	1.20
160836	DOOR WASHER BR-BC-FC	0.00
180506	DOOR CATCH BR-BC-FC	13.00
260106	SCREW TE 6X25	0.40
260126	SCREW TE 5X12	0.20
260403	NUTS D.5	1.40
260405	NUT D.8	1.60
260412	SELF-LOCKING NUT M6	2.40
260503	STAINL.STEEL FLAT WASHER D5 UN	1.40
260504	ST/ST FLAT WASHER D6	1.40
260505	STAINL.STEEL FLAT WASHER D8	1.40
331208	ST.STEEL FOOT	22.00
H15568	DOOR PIN FOR DOOR GF70/90	0.00
H15995	BUSH	0.00
H17582	THERMOSTAT BRACKET	0.00
H25006	NUT FOR HOSE H26556	0.00
H25202	PAD FOR DOOR GF90	5.00
H25700	SCREW TC 4X8	0.00
H26284	BRACKET	3.70
H26556	HOSE	33.00
H26751	SCREW TC 6X12	0.00
H29594	BLIND NUT M4	0.00
H30438	SPRING	0.00
H32969	DOOR MAGNET	0.00
H33179	S/S NUTS 4MA	0.00
H33344	PASSACAVO GFS90	0.00
H33745	THERMOSTAT 110?	0.00
H34429	SCREW	6.50
H34445	CONNECTOR GF90	0.00
H35147	FRONT PANEL FOR GF90 DOOR	0.00
H35148	DOOR GF90	0.00
H35264	RIGHT RACK GUIDE GF90	0.00
H35265	LEFT RACK GUIDE GF90	0.00
H36004	PAD FOR DOOR GF90	0.00
H36034	HANDLE GFS90	0.00
H36660	COVER GFS90	0.00
H36872	COMPLETE DOOR GFS90	0.00
H37233	HOOD GFS90	0.00
H37234	FRONT PANEL GFS90	0.00
H37235	BACK PANEL GFS90	0.00
H37236	SCHIENALE CARROZZERIA GFS90	0.00
H37293	CENTRAL PANEL	0.00
H37337	DOOR SPRING	7.50
H37530		0.00

vsezip.ru

+7(812)987-08181

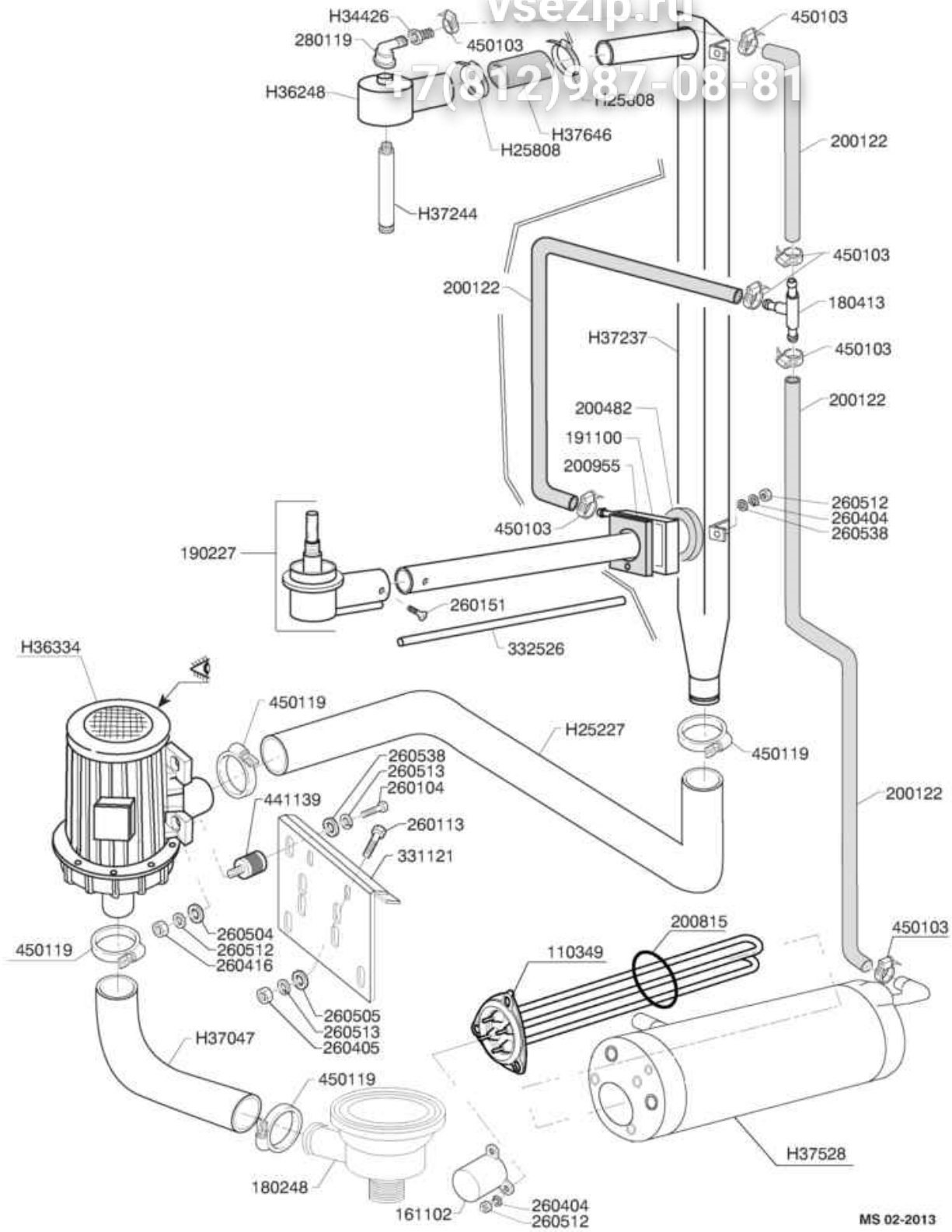


MS 06-2010

Code	Description	Price (EUR)
110226	HEAT. ELEMENT 3000W 230/400V	99.00
120960	PROBE C-G	30.00
130635	PRESSURE SWITCH 190-40	31.50
160203	ELBOW 1"1/2 N-S-F-C /DRAIN	4.50
160788	PLUG	4.20
160789	NUT	1.40
161102	ELEMENT COVER MOPL. H50 (HIGH)	5.00
161308	AIR CHAMBER C95-155	0.00
161320	HOSE FOR AIR CHAMBER	0.00
180102	DRAIN PIPE NUT 1"1/2 F45-55	4.05
180248	SUCTION TANK	17.00
180249	NUT	0.00
180728	OVERFLOW PIPE	22.50
200412	GASKET DRAIN 1 1/2" 45X33X3	1.15
200721	DRAIN HOSE 28X35 3MT.	28.50
200807	O-RING 3,53 X 110,72	7.50
200815	O-RING F. HEAT. ELEM.	2.00
200870	GASKET 18X10X2	0.00
200927	GASKET FOR AIR TRAP	1.40
200950	VITON GASKET	20.50
260401	NUT 3MA	1.60
260404	STAINLESS STEEL NUTS D6 UNI 55	1.60
260503	STAINL. STEEL FLAT WASHER D5 UN	1.40
260504	ST/ST FLAT WASHER D6	1.40
260512	ST/ST GROWER WASHER D6	1.40
270121	NUT FOR AIR TRAP	8.00
332068	STRAINER	75.00
332090	RIGHT STRAINER	29.50
332091	LEFT STRAINER	29.50
350774	BRACKET	4.80
450134	ELASTIC HOSE CLIP D.9,3/8,8	0.20
450137	COLLAR CONNECTION WITH BASE 31	2.30
450143	CLAMP D.39,7 X 37,7	2.40
H25808	CLAMP	0.00
H37133	FILTER SUPPORT GFS90	0.00

vsezip.ru

7(812)987-08-81



vsezip.ru

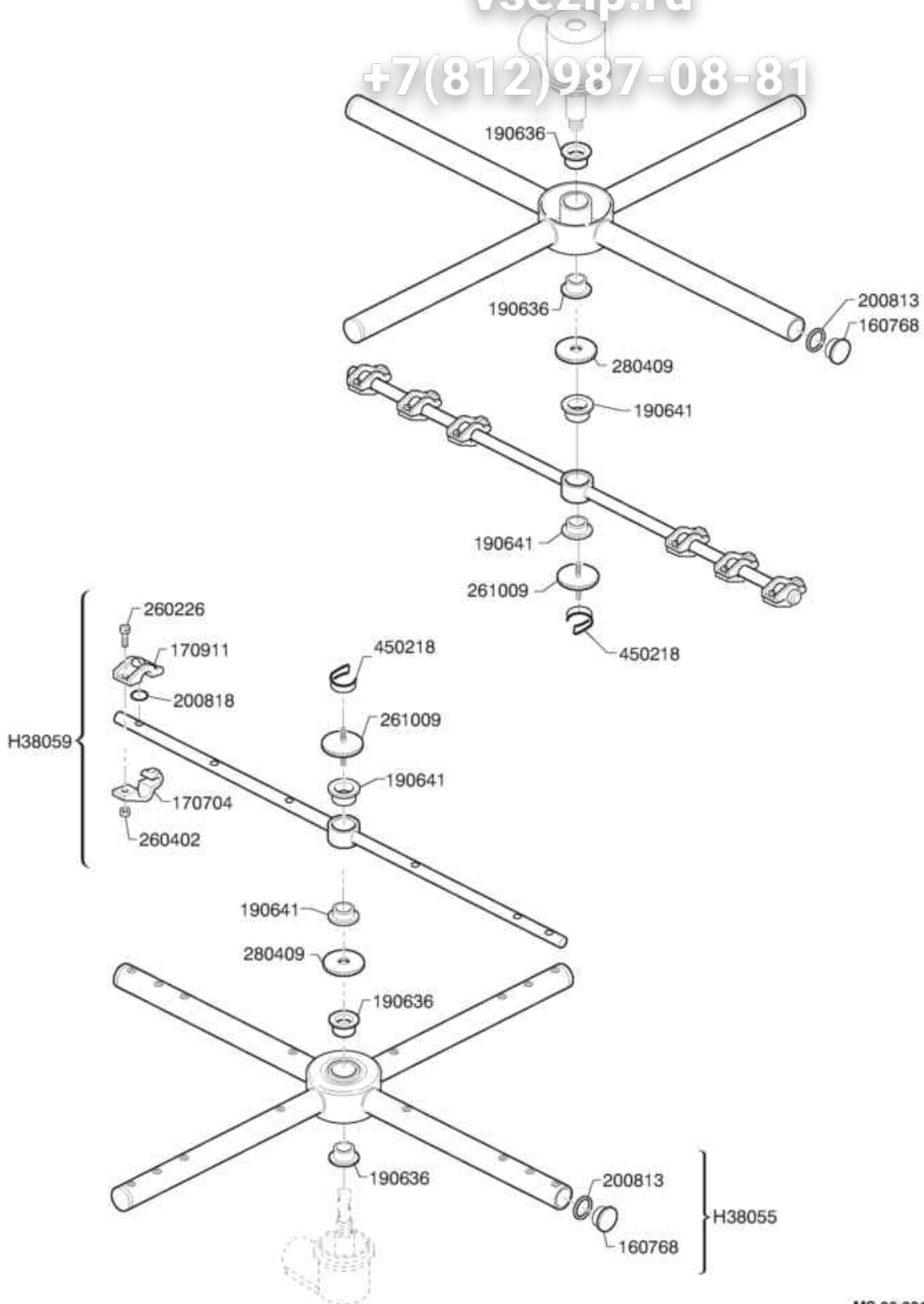
+7(812)987-08-81

Code	Description	Price (EUR)
110349	HEAT.ELEMENT 6000W 230/400V	73.00
161102	ELEMENT COVER MOPL H50 (HIGH)	5.00
180248	SUCTION TANK	17.00
180413	TEE NIPPLE D.11,5 - RINSE ASSE	3.05
190227	ARM SUPPORT	52.00
191100	RINSE COLLECTOR C-LC	6.50
200122	HOSE 11X19	13.00
200482	GASKET 60X54 RAMP C140	3.40
200815	O-RING F. HEAT. ELEM.	2.00
200955	GASKET	5.50
260104	STAINL.ST TE-SCREW A2 6X16 UNI	0.25
260113	STAINL.ST.TE SCREW 8X20 A2 UNI	0.55
260151	SCREW TE 4X12	0.40
260404	STAINLESS STEEL NUTS D6 UNI 55	1.60
260405	NUT D.8	1.60
260416	STAINLESS STEEL NUTS M6	1.85
260504	ST/ST FLAT WASHER D6	1.40
260505	STAINL.STEEL FLAT WASHER D8	1.40
260512	ST/ST GROWER WASHER D6	1.40
260513	GROWER WASHER D8	1.40
260538	WASHER 18X6X1,5 ST/ST	1.15
280119	ELL MF 3/4"	15.50
331121	FIXING PLATE FOR PUMP ACR	0.00
332526	RINSE HOSE	7.50
441139	VIBRATION-DAMPING FEET 25X20X6	7.00
450103	CLAMP FE ZN. 13-20 H=9	3.10
450119	CLAMP FE ZN. 58-75 H=12,2	7.00
H25227	GE50 PUMP OUTLET HOSE	44.00
H25808	CLAMP	0.00
H34426	HOSE BARB 1/4	7.50
H36248	UPPER WASH ARM HANDLE	0.00
H36334	WASH PUMP 2,2HP 230/400-3 50HZ	496.00
H37047	PUMP INLET HOSE GFS90	41.50
H37237	WASH AND RINSE COLUMN	172.00
H37244	UPPER SUPPORT	0.00
H37528	BOILER GFS90	136.00
H37646	HOSE	19.00



vsezip.ru

+7(812)987-08-81

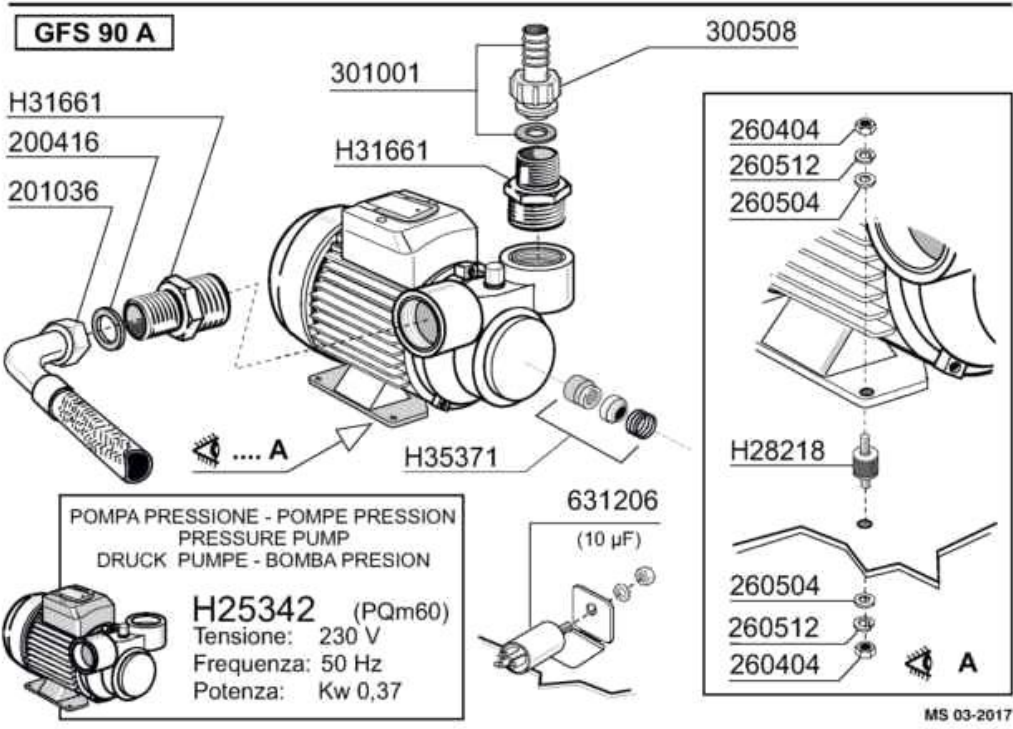
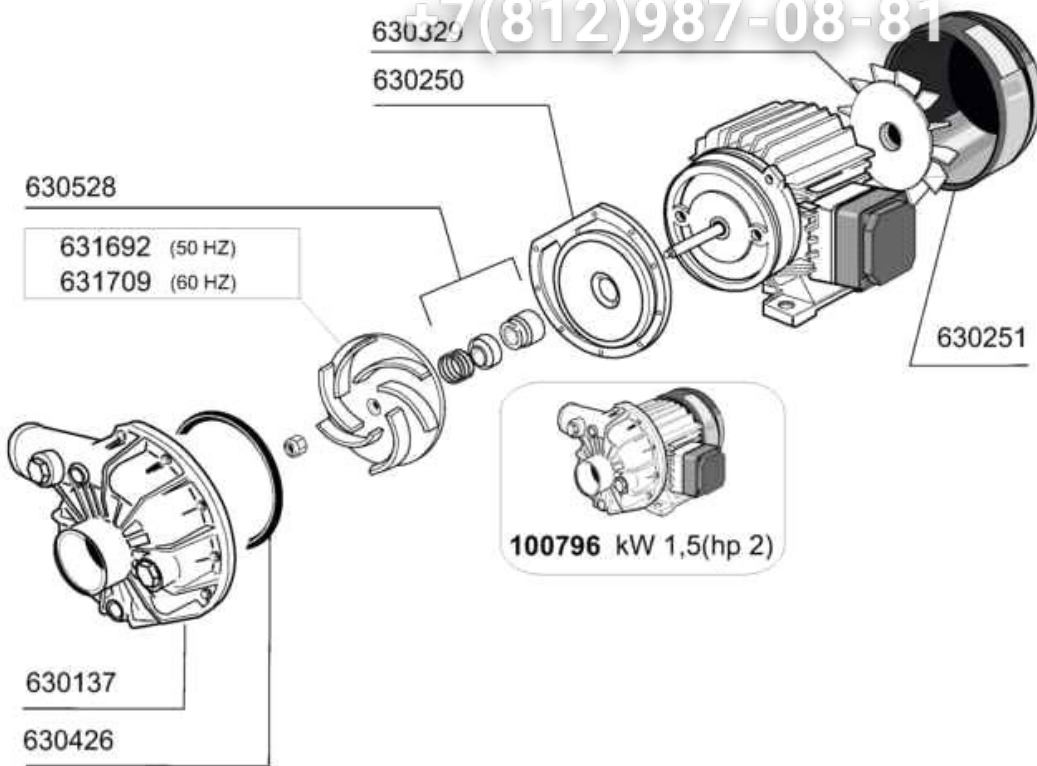


MS 06-2010

Code	Description	Price (EUR)
160768	PLUG FOR "C95-155" WASH ARM	2.00
170704	RINSE NOZZLE BOTTOM F-B-C33	0.85
170911	RINSE JET B23-F2-C34	2.30
190636	BUSH FOR C95-155-165 WASH ARM	6.00
190641	BUSH FOR C95-155-165 RINSE ARM	6.00
200813	OR GASKET 2,21X16,36X20,78	1.60
200818	O-RING 1,78 X 6,75 X 10,31	1.05
260226	STAINL.ST TCP SCREW 4X12 A2 UN	1.40
260402	STAINLESS STEEL NUT D4 UNI 55	1.40
261009	RETAIN.SCREW FOR WASH-RINSE AR	13.00
280409	RETAIN.LOCK NUT CENTR.CROSS C1	10.00
450218	SPRING F.RINSE ARM RETAIN.SCRE	3.90
H38055	WASH ARM XLC/GFS90	0.00
H38059	RINSE ARM XLC/GFS90	0.00

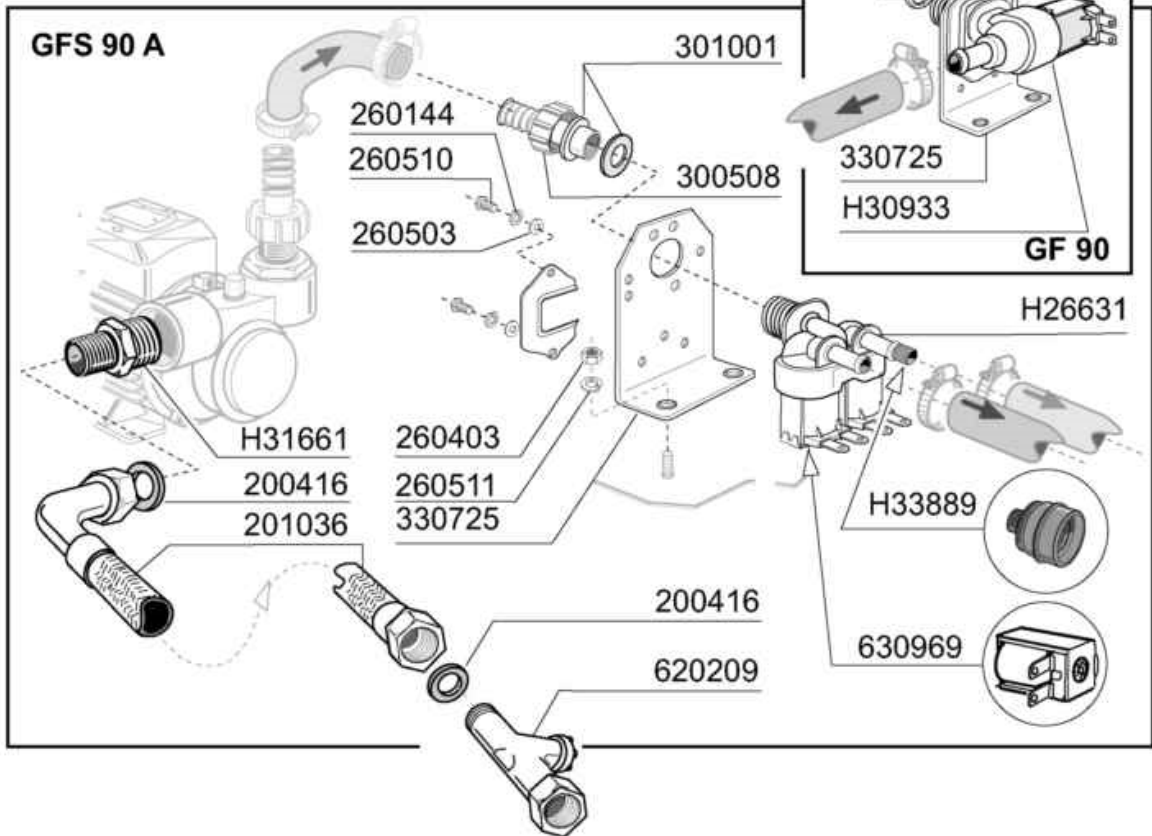
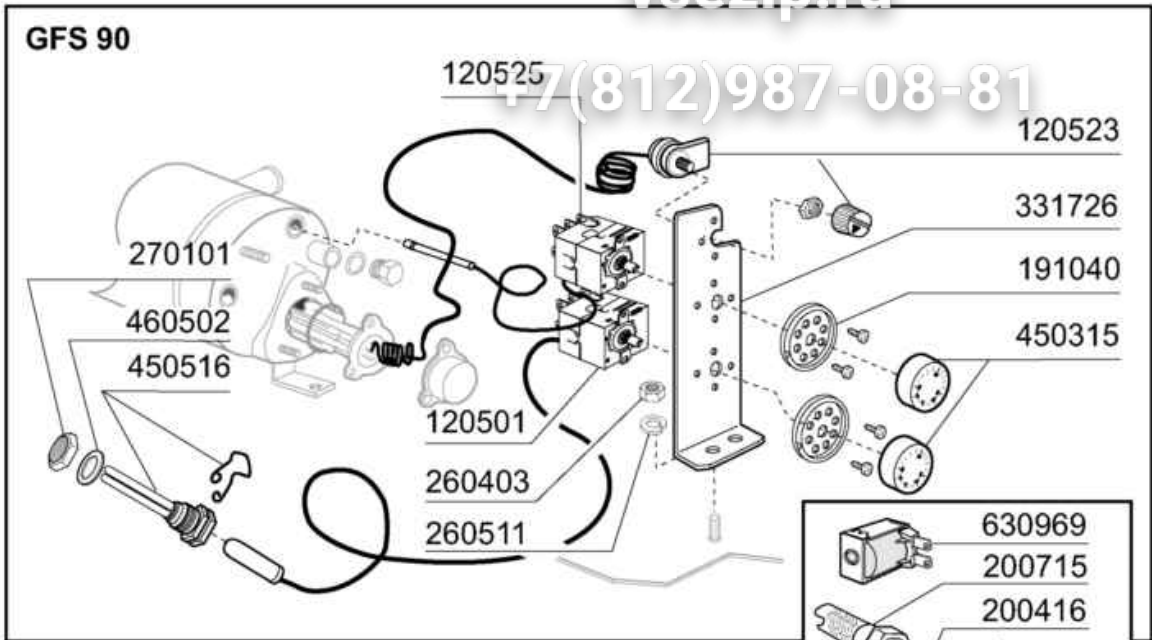
vsezip.ru

+7(812)987-08-81



Code	Description	Price (EUR)
100796	PUMP 2HP 400/3/50HZ LGB	466.50
200416	GASKET D. 3/4"	0.50
201036	INLET HOSE 2 M.	38.00
260404	STAINLESS STEEL NUTS D6 UNI 55	1.60
260504	ST/ST FLAT WASHER D6	1.40
260512	ST/ST GROWER WASHER D6	1.40
300508	LOCK NUT 3/4"	0.00
301001	NIPPLE FE-ZN 3/4"	0.00
630137	PUMP VOLUTE LGB ZF800DX	29.00
630250	BACK PLATE PUMP ZF650/800	42.52
630251	FAN HOUSING ZF650/800	17.09
630329	PUMP FAN IMPELLOR ZF650/800	6.00
630426	GASKET LGB ZF800	4.00
630528	SEAL LGB ZF800 2HP	18.00
631206	CONDENSER 10MF. 450V 85C	10.00
631692	IMPELLER PUMP ZF650/800	24.00
631709	PUMP IMPELLER ZF800 60HZ	49.00
H25342	RINSE PUMP GF90	246.50
H28218	PUMP FEET	0.00
H31661	CONNECT.1" - 3/4" MM	0.00
H35371	SEAL FOR PUMP	0.00

77(812)987-08-81

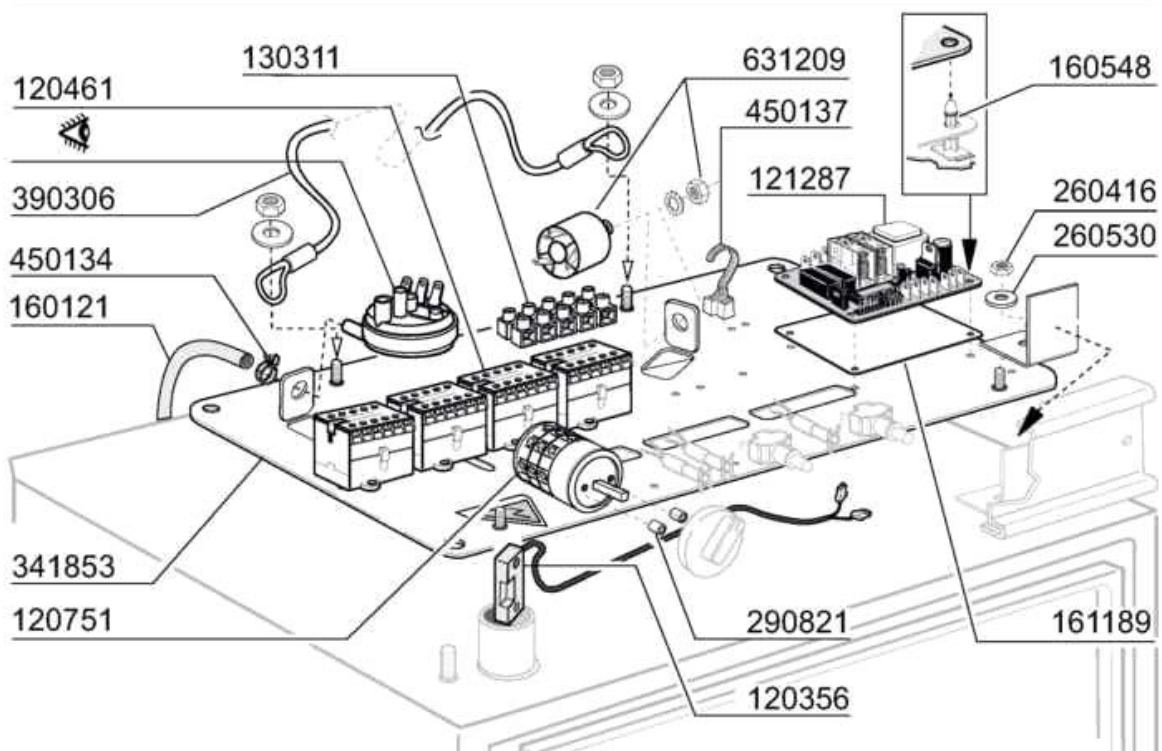
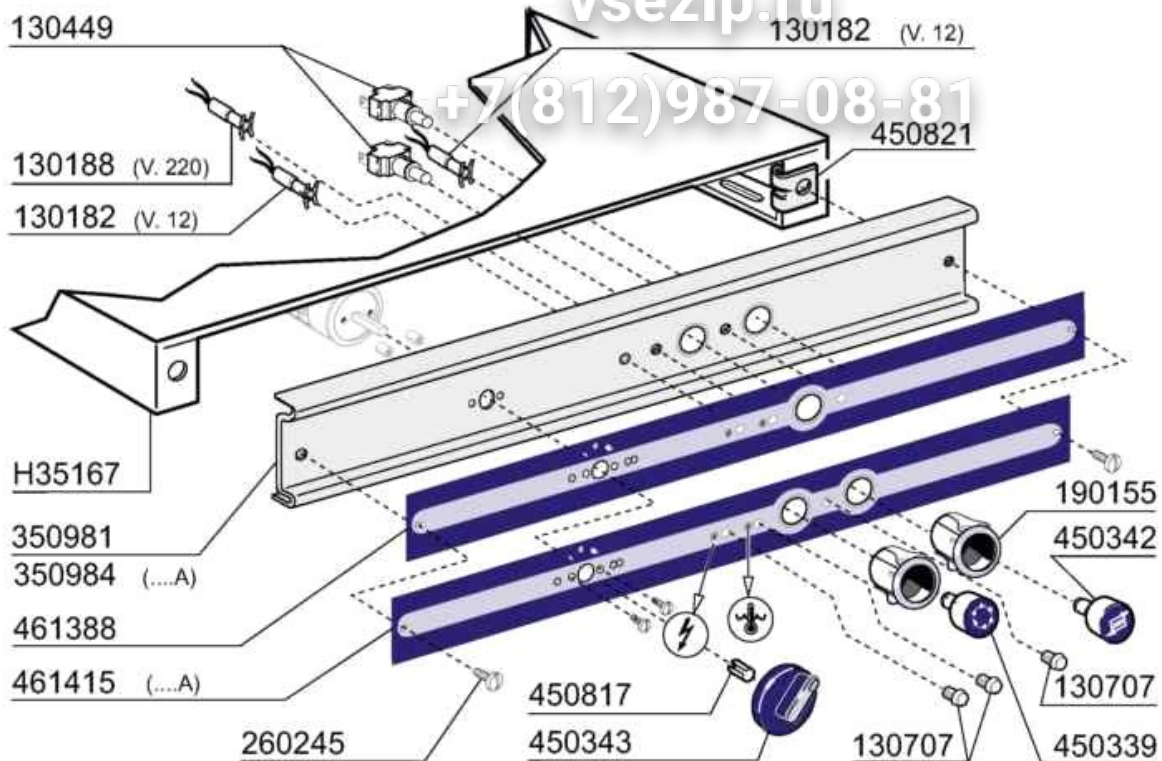


MS 06-2010

# Зип Общопит

## Thermostat/Solenoid Valve Group

Code	Description	Price (EUR)
120501	THERMOSTAT 30/90°C	33.50
120523	SAFETY THERMOSTAT 110°C	61.50
120525	BOOSTER THERMOSTAT 2 TEMPERAT.	56.50
191040	FRAME F.THERMOSTAT KNOB	2.00
200416	GASKET D. 3/4"	0.50
200715	HOSE WATER INLET 2M STAINL.ST	61.50
201036	INLET HOSE 2 MT	38.00
260144	SCREW TE 4X6	0.95
260403	NUTS D.5	1.40
260503	STAINL.STEEL FLAT WASHER D5 UN	1.40
260510	GROWER WASHER D.4	1.70
260511	GROWER WASHER D.5	1.40
270101	HEXAGON LOCK NUT 1/2"	8.50
300508	LOCK NUT 3/4"	0.00
301001	NIPPLE FE-ZN 3/4"	0.00
330725	STANDARD BRACKET F.SOLEN.VALV	7.00
331726	BRACKET FOR 3 THERMOSTATS	7.50
450315	KNOB F. THERMOSTAT 90°C	0.65
450516	THERMOSTAT SHIELD FOR 2 TERMOS	25.50
460502	GASKET 30X21X2	1.25
620209	INLET WATER FILTER	22.00
630969	COIL S4216 220/50HZ	0.00
H26631	2-WAY SOLENOID VALVE GF90	0.00
H30933	SOLENOID VALVE AQUA+	0.00
H31661	CONNECT.1" - 3/4" MM	0.00
H33889	RIDUTT.ELETTROV.RIGENER.GF90A	0.00



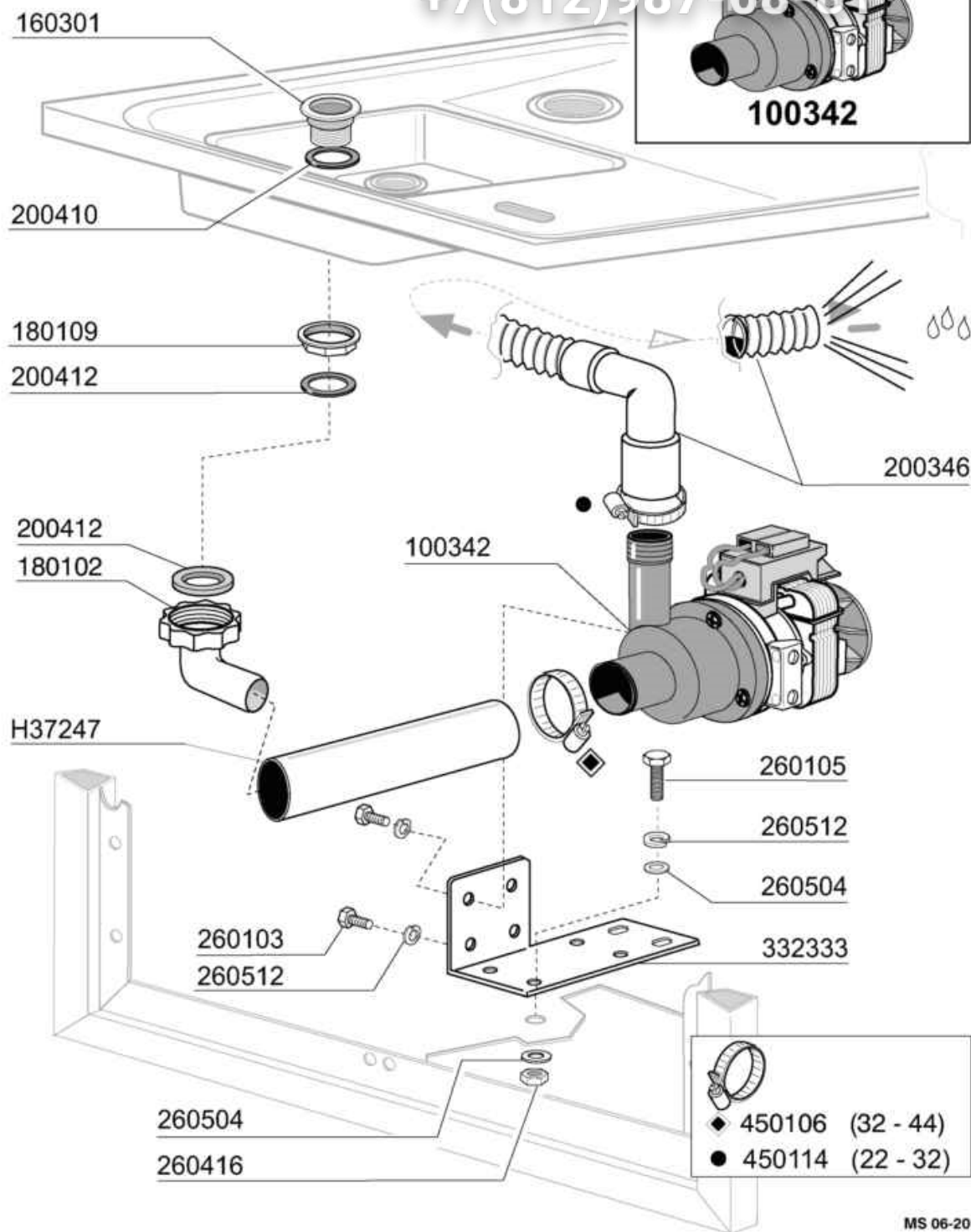
MS 03-2016

Code	Description	Price (EUR)
120356	DOOR MAGN.SWITCH	25.50
120461	CONTACTOR ABB B6-30-01-220V	36.50
120751	4 POLE SWITCH 16A	40.00
121287	ELECTRONIC TIMER	95.50
130182	GREEN LAMP	5.50
130188	GREEN LED 220V	3.60
130311	TERMINAL BLOCK	15.00
130449	PUSH BUTTON BR-BC-FC	7.00
130707	TRANSPARENT LENS COVERS (C-SER	1.30
160121	HOSE EPDM D. 5 X 9	3.95
160548		0.00
161189	COVER	8.00
190155	BUTTON HOLDER	1.70
260245	SPECIAL SCREW TC 3,5X16	1.50
260416	STAINLESS STEEL NUTS M6	1.85
260530	STAINL.ST WASHER 7X22X2	2.05
290821	DISTANCE PIECE FOR SWITCH	1.60
350981	SUPPORT	0.00
350984	SUPPORT	0.00
390306	CABLE	2.35
450134	ELASTIC HOSE CLIP D.9,3/8,8	0.20
450137	COLLAR CONNECTION WITH BASE 31	2.30
450339	PUSH BUTTON "CYCLE"	2.00
450342	REGENERATION SWITCH	2.00
450343	BLUE SWITCH	6.00
450817		0.00
450821	SPRING CLIP FASTENER SNU 3634	0.25
461388	CONTROL PANEL GF90	0.00
461415	CONTROL PANEL GF90A	0.00
631209	ANTI-NOISE FILTER	10.50
H35167	UPPER COVER GF90	0.00



vsezip.ru

+7(812)987-0838

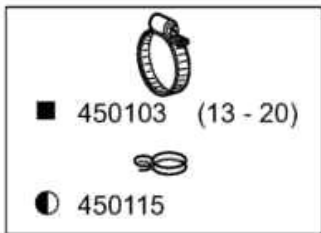
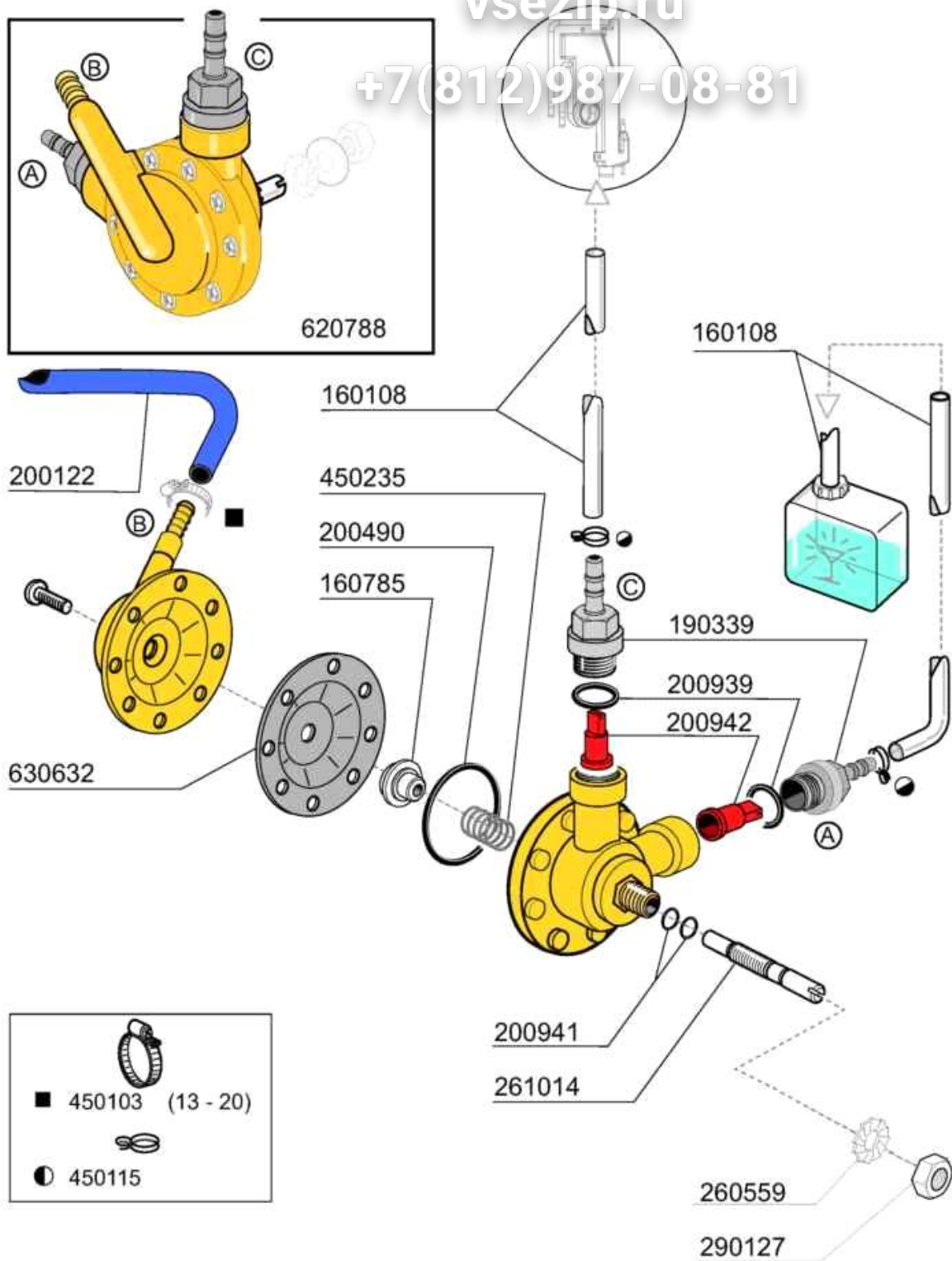


MS 06-2010

Code	Description	Price (EUR)
100342	DRAIN PUMP 100 W 220V	89.00
160301	DRAIN OUTLET 1"1/2" C-S-N	2.65
180102	DRAIN PIPE NUT 1"1/2" 45-55	4.05
180109	LOCK NUT 1 1/2"	6.00
200346	DRAIN HOSE GLASSWASHER	21.50
200410	DRAIN OUTL. WASH. 1 1/2" 65X47X2	7.50
200412	GASKET DRAIN 1 1/2" 45X33X3	1.15
260103	SCREW TE 6X12	0.00
260105	SCREW TE 6X20	0.30
260416	STAINLESS STEEL NUTS M6	1.85
260504	ST/ST FLAT WASHER D6	1.40
260512	ST/ST GROWER WASHER D6	1.40
332333	BRACKET FOR DRAIN PUMP	0.00
450106	CLAMP FE ZN 32-44 H=12,2	6.00
450114	CLAMP FE ZN.22-32 H=12,2	5.50
H37247	DRAIN PUMP INLET HOSE	6.96

vsezip.ru

+7(812)987-08-81

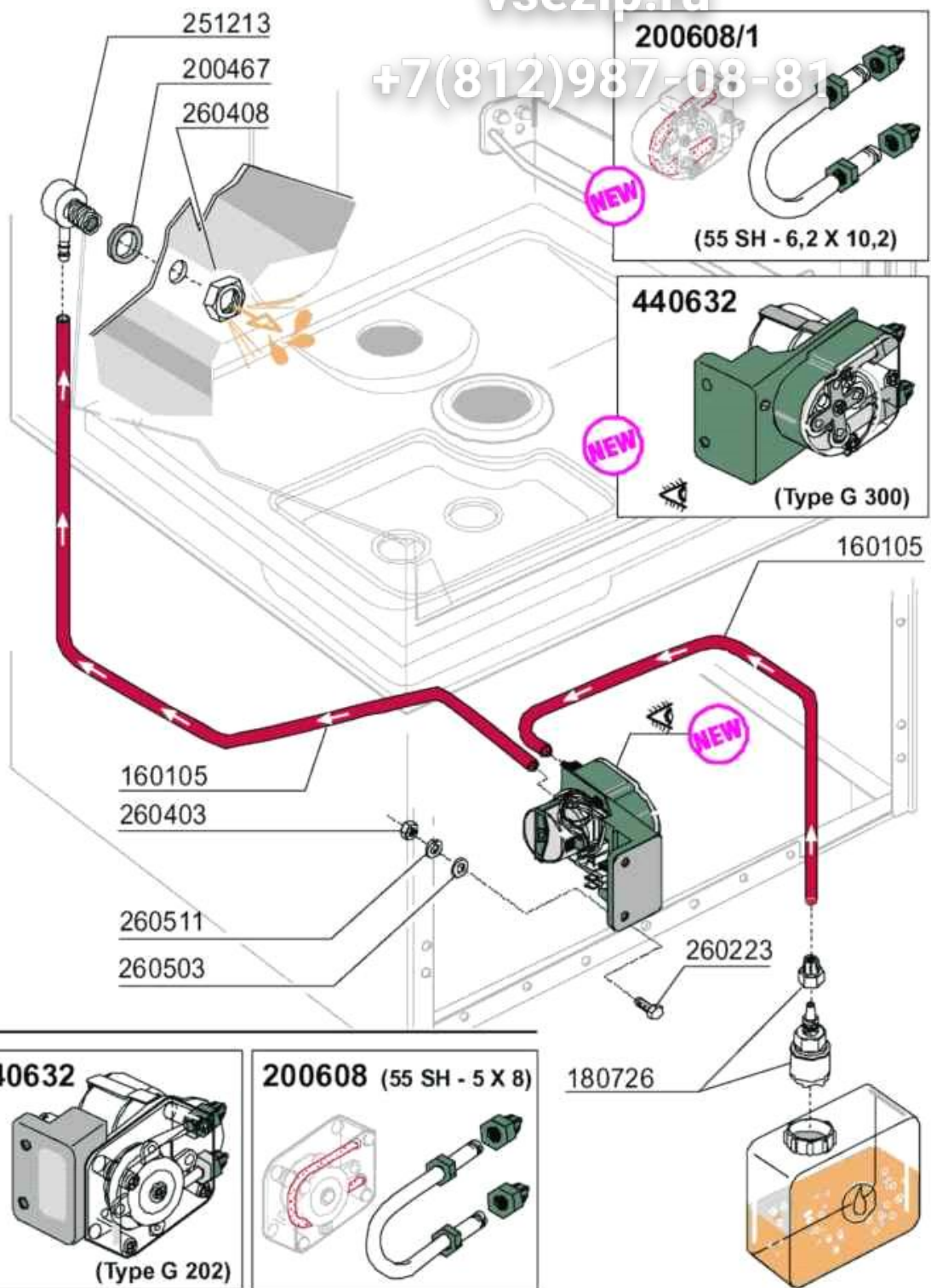


09-2015 M.SA

Code	Description	Price (EUR)
160108	INJECT.INLET HOSE D.8X5	2.40
160785	GUIDE FOR SPRING RINSE AID INJ	0.00
190339	RINSE AID INJECTOR CONNECTION	0.00
200122	HOSE 11X19	13.00
200490	PROTECTION GASKET MOD.ADV.	0.00
200939	OR GASKET	0.00
200941	OR GASKET	2.00
200942	VALVE RINSE INJECTOR HVD	0.00
260559		0.00
261014	SCREW	0.00
290127		0.00
450103	CLAMP FE ZN. 13-20 H=9	3.10
450115	ELASTIC CLAMP D.8,3/7,8	0.25
450235	SPRING RINSE AID INJECTOR	0.00
630632	DIAPHRAGM RINSE INJECTOR HVD	0.00

vsezip.ru

+7(812)987-08-81



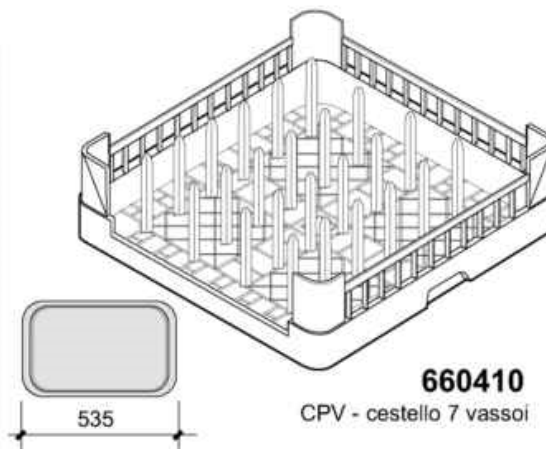
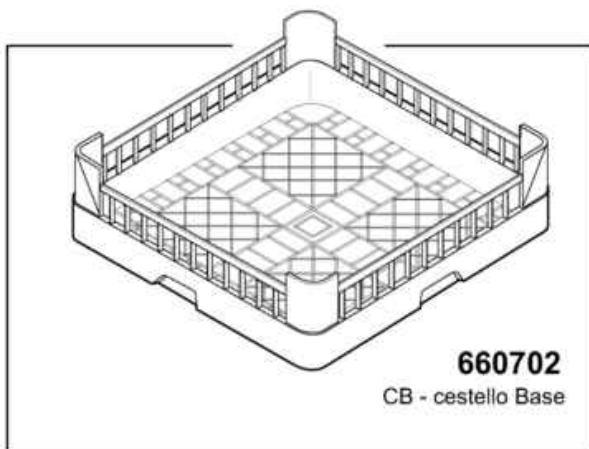
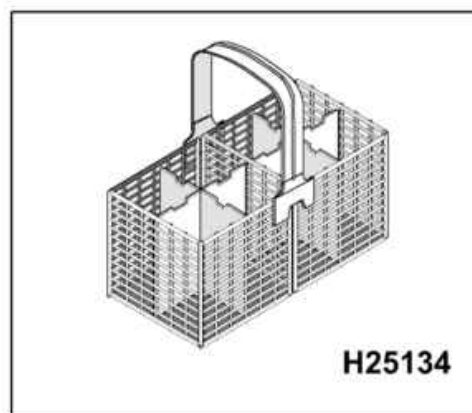
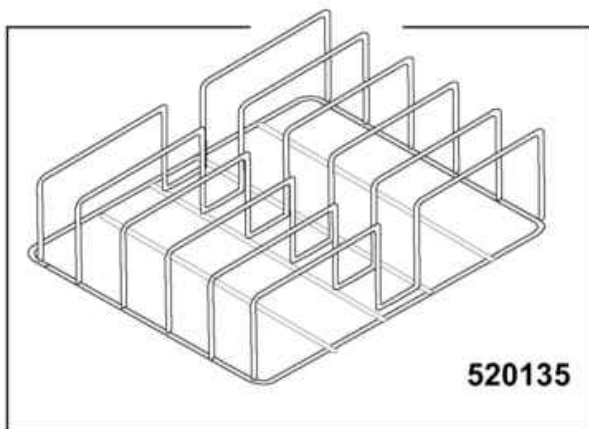
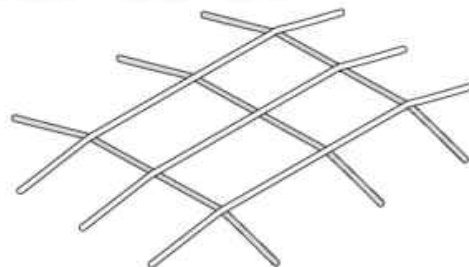
09 - 2007 S. AG.

# Зип Общепит Detergent dispenser

Code	Description	Price (EUR)
160105	INJECT.INLET HOSE D.6X4	2.65
180726	STREINER FOR RINSE AID INJECTO	24.00
200467	DUTRAL GASKET F. A R TRAP	0.65
200608	DETERGENT DISPENSER HOSE	0.00
200608/1	HOSE FOR DISPENSER GERMAC G300	23.00
251213	INJECTOR S/S FOR DETERGENT IN	16.50
260223	M5X12 MSH/HD SCREW SPECIAL S/S	1.60
260403	NUTS D.5	1.40
260503	STAINL.STEEL FLAT WASHER D5 UN	1.40
260511	GROWER WASHER D.5	1.40
440632	DETERGENT INJECTOR	152.50

vsezip.ru

+7(812)987-08-81



MS 06-2010

Code	Description	Price (EUR)
H35236	COMPARTMENT DIVIDERS GF90	0.00

vsezip.ru

+7(812)987-08-81