

GALASSIA 8-12			
1	BOWL	62	PLASTIC SPACER
2	STEEL BAR	63	SEEGER RING
3	SCREW	64	TAP
4	FRAME	65	SHAFT WITH PINION
5	SPIRAL	66	BEARING
6	TAP	67	BEARING
7	SEEGER RING	68	BEARING
8	SEEGER RING	69	SEEGER RING
9	BEARING	70	SEEGER RING
10	DOWEL	71	BEARING
11	DOWEL	72	GUARD FOR BOWL
12	AVP SPACER	73	SCREW
13	SEEGER RING	74	BLACK CAM
14	SCREW	75	DOWEL
15	BEARING	76	NUT
16	SEEGER RING	77	SCREW
17	NUT	78	PIN FOR GUARD
18	CAST-IRON UPPER SUPPORT	79	DOWEL
19	PINION	80	NUT
20	DOWEL	81	BLACK CAM
21	DOWEL	82	SCREW
22	PINION	83	PIN FOR GUARD
23	JOINT	84	SCREW
24	CHAIN FOR SPIRAL	85	UPPER GUARD
25	SEEGER RING	86	MICRO - SWITCH
26	BEARING	87	NUT
27	SEEGER RING	88	ELECTRICAL SYSTEM
28	MOTOR	89	SCREW
29	BACK GUARD	90	SCREW
30	TIE ROD	91	PRESSING CABLE
31	REDUCTION GEAR	92	PRESSING CABLE
32	NUT	93	SCREW
33	DOWEL	94	PIN FOR GUARD
34	MOTOR PULLEY	95	PRESSING CABLE
35	SCREW	96	RING NUT
36	WASHER	97	CONTACTS FOR STOP BUTTON
37	THREADED EYE	98	CONTACTS FOR STOP BUTTON
38	NUT	99	RING NUT
39	SEEGER RING	100	NUT FOR PRESSING CABLE
40	TAP	101	BACK GUARD
41	TRASMISSION SHAFT	102	PRESSING CABLE
42	CHAIN FOR BOWL	103	NUT
43	JOINT	104	NUT
44	TAP	105	RING NUT
45	CROW WITH PINION	106	CONTACTS FOR START BUTTON
46	DOWEL	107	CONTACT FOR START BUTTON
47	DOWEL	108	BUTTON GASKET
48	CHAIN	109	START BUTTON
49	JOINT	110	PLASTIC COVER FOR WARNING LIGHT
50	BELT	111	WARNING LIGHT
51	DOWEL	112	BUTTON GASKET
52	PULLEY	113	STOP BUTTON
53	SEEGER RING	114	BUTTON GASKET
54	PLASTIC SPACER	115	PLATE
55	DOWEL	116	INFERIOR PROTECTION
56	SCREW	117	SUPPORTING PLUGS
57	SEEGER RING	118	SCREW
58	CAST-IRON INFERIOR SUPPORT	119	SCREW
59	SEEGER RING	120	FRAME
60	BEARING	121	TEFLON
61	SEEGER RING		

Tab. 7.1

Зип Общепит

vsezip.ru

+7 (812) 987-08-81

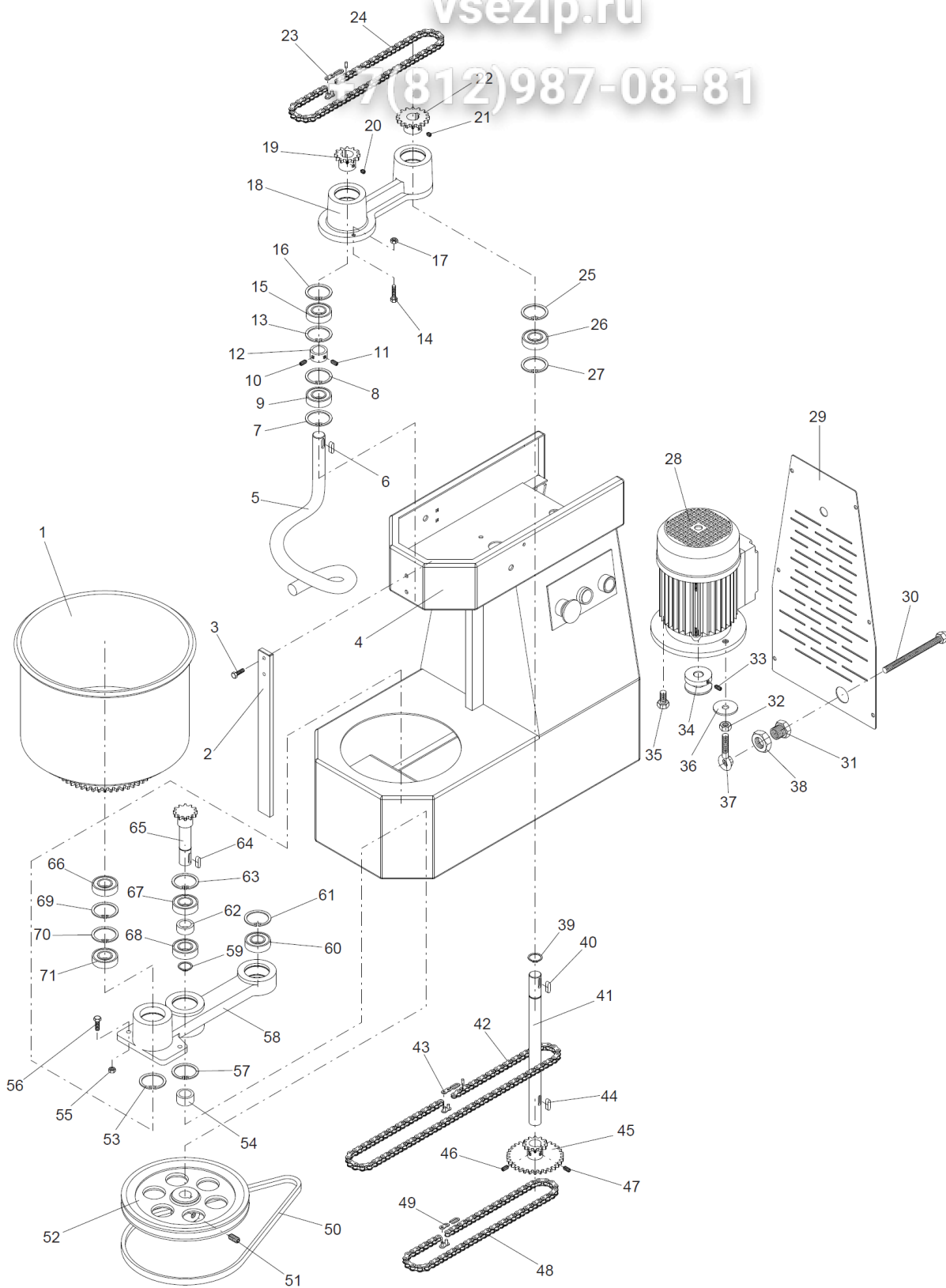


Fig. 7.1. GALASSIA 8-12 – Components of trasmission unit

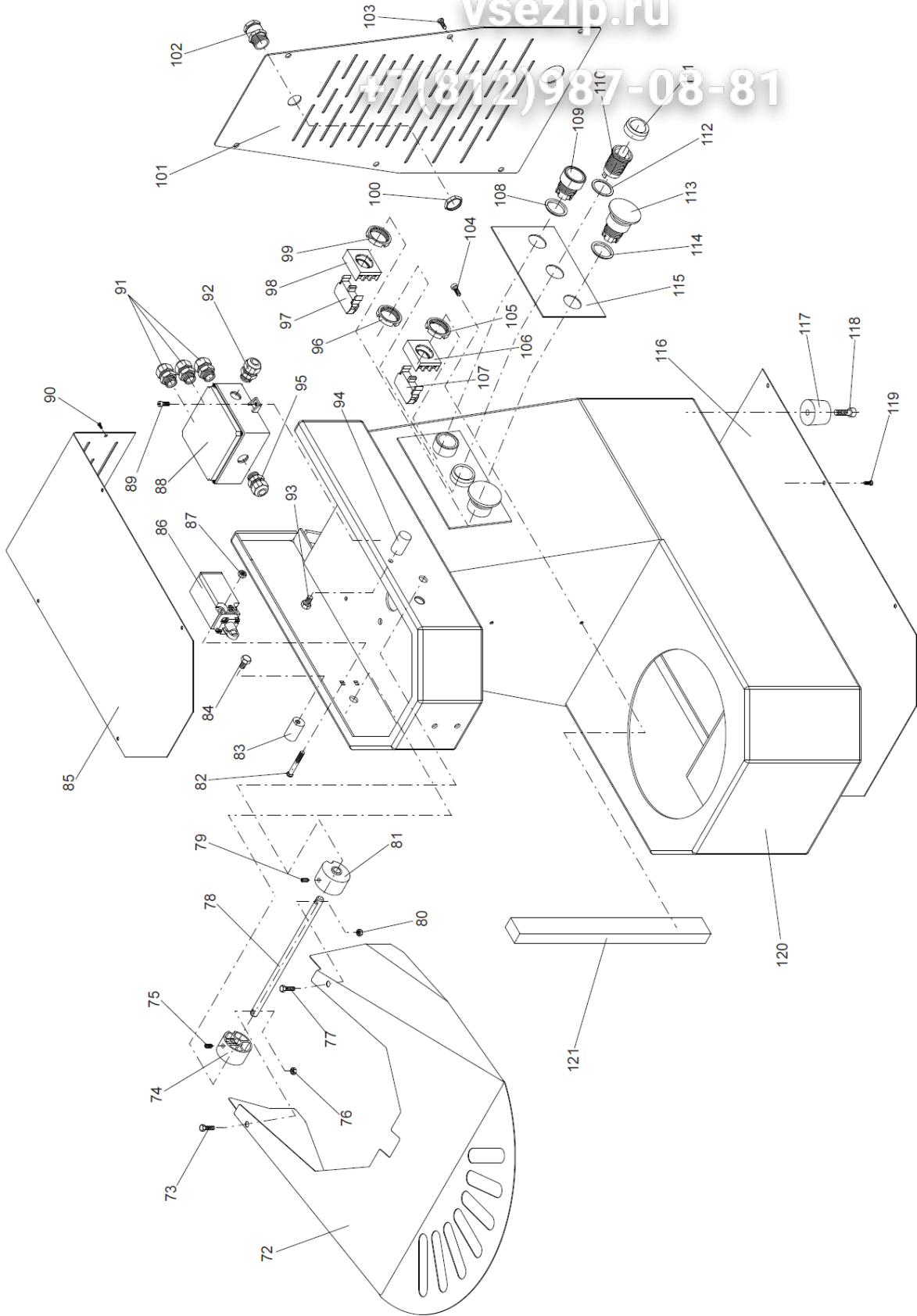


Fig. 7.2. GALASSIA 8-12 - Electrical and safety components

GALASSIA 18-25-35-45-60			
1	BOWL	61	SEEGER RING
2	SCREW	62	SEEGER RING
3	STEEL BAR	63	BEARING
4	SPIRAL	64	PLASTIC SPACER
5	TAP	65	BEARING
6	SCREW	66	SEEGER RING
7	WASHER	67	TAP
8	SEEGER RING	68	FRAME
9	BEARING	69	SHAFT WITH PINION
10	DOWEL	70	GUARD FOR BOWL
11	CAST-IRON UPPER SUPPORT	71	SCREW
12	BEARING	72	BLACK CAM
13	SEEGER RING	73	DOWEL
14	DOWEL	74	NUT
15	SPACER	75	SCREW
16	DOWEL	76	PIN FOR GUARD
17	PINION	77	DOWEL
18	CHAIN FOR SPIRAL	78	NUT
19	JOINT	79	BLACK CAM
20	NUT	80	PIN FOR GUARD
21	DOUBLE PINION	81	SCREW
22	DOWEL	82	SCREW
23	BACK CAST-IRON SUPPORT	83	SCREW
24	SEEGER RING	84	MICRO - SWITCH
25	BEARING	85	UPPER GUARD
26	SEEGER RING	86	PRESSING CABLE
27	MOTOR	87	SCREW
28	BACK GUARD	88	PRESSING CABLE
29	TIE ROD	89	PRESSING CABLE
30	REDUCTION GEAR	90	ELECTRICAL SYSTEM
31	NUT	91	SCREW
32	SCREW	92	NUT
33	MOTOR PULLEY	93	PIN FOR GUARD
34	DOWEL	94	SCREW
35	THREADED EYE	95	CONTACT FOR START BUTTON
36	DOWEL	96	CONTACT FOR START BUTTON
37	REDUCTION GEAR	97	CONTACT FOR STOP BUTTON
38	SEEGER RING	98	CONTACT FOR STOP BUTTON
39	TAP	99	RING NUT
40	TRANSMISSION SHAFT	100	BACK GUARD
41	JOINT	101	PRESSING CABLE
42	CHAIN FOR BOWL	102	SCREW
43	TAP	103	NUT FOR PRESSING CABLE
44	CROW WITH PINION	104	SCREW
45	DOWEL	105	RING NUT
46	DOWEL	106	RING NUT
47	JOINT	107	BUTTON GASKET
48	CHAIN	108	START BUTTON
49	TRAPEZOIDAL BELT	109	BUTTON GASKET
50	DOWEL	110	PLASTIC COVER FOR WARNING LIGHT
51	PULLEY	111	WARNING LIGHT
52	SEEGER RING	112	STOP BUTTON
53	SEEGER RING	113	PLATE
54	DOWEL	114	BUTTON GASKET
55	SUPPORT WITH NUT	115	SUPPORTING PLUGS
56	BEARING	116	SCREW
57	SEEGER RING	117	INFERIOR PROTECTION
58	SEEGER RING	118	SCREW
59	BEARING	119	FRAME
60	BEARING	120	TEFLON

Tab. 7.2

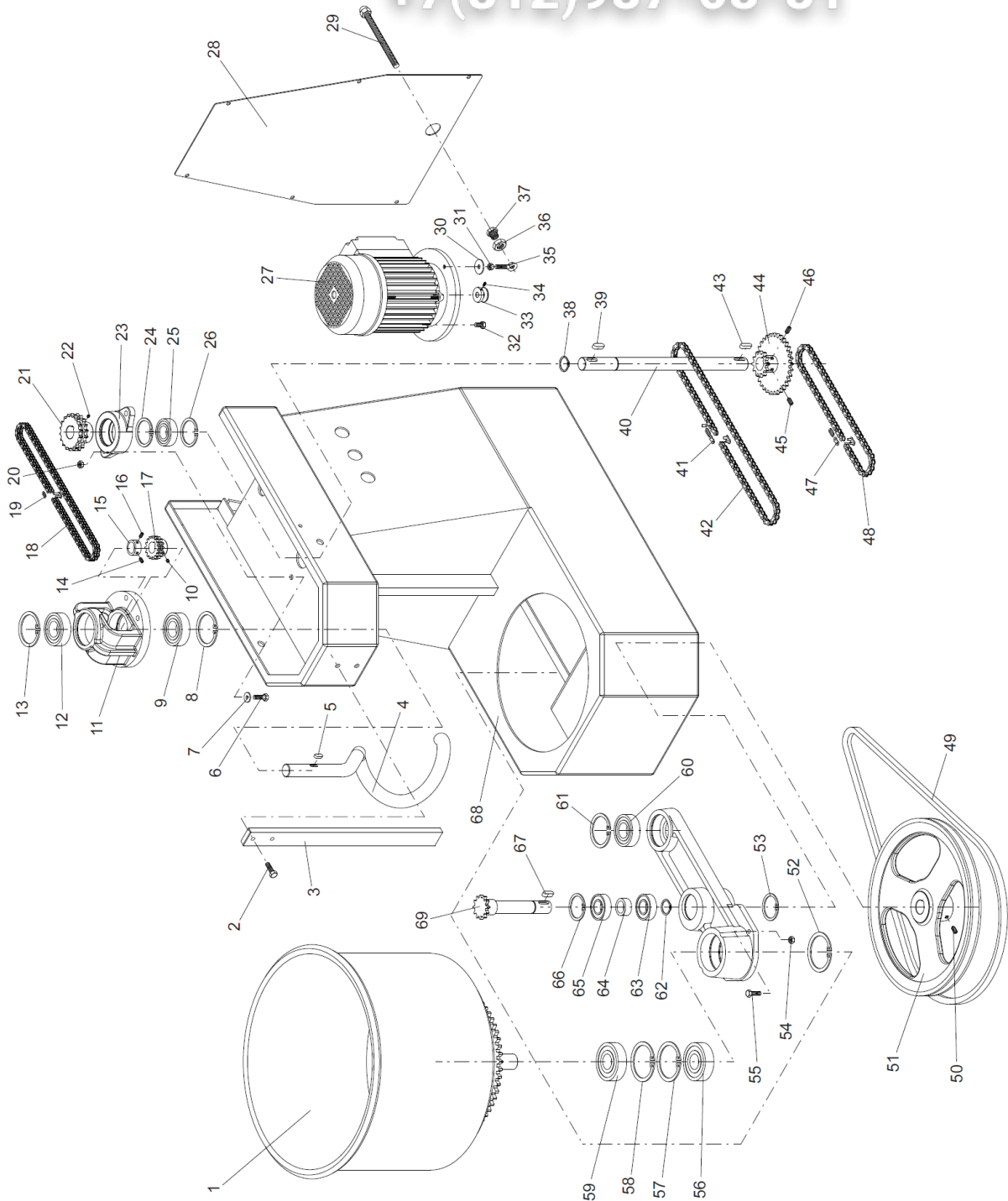


Fig. 7.3. GALASSIA 18-25-35-45-60 - Components of trasmission unit

Зип Общепит

vsezip.ru

+7(812)987-08-81

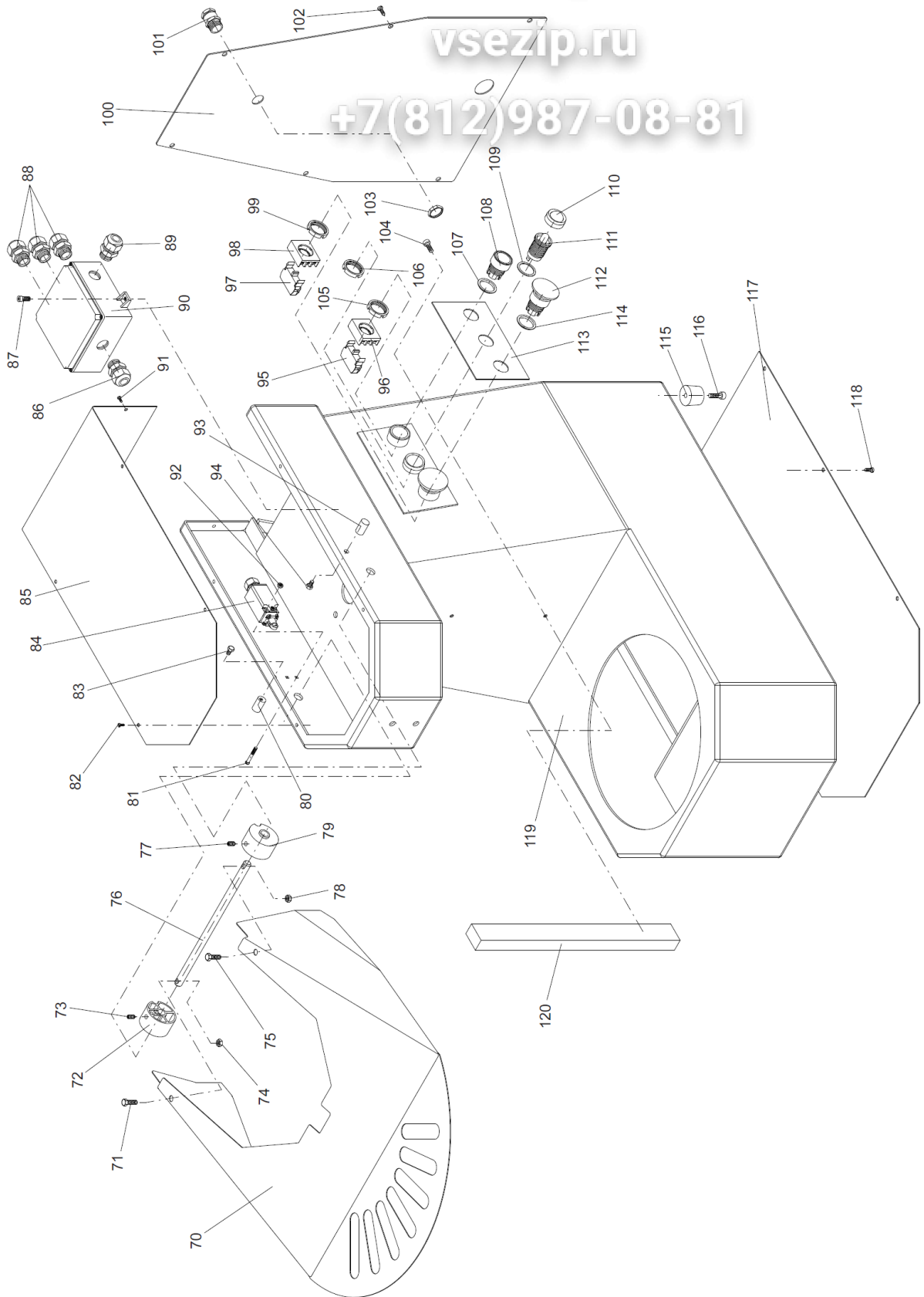


Fig. 7.4. GALASSIA 18-25-35-45-60 - Electrical and safety components