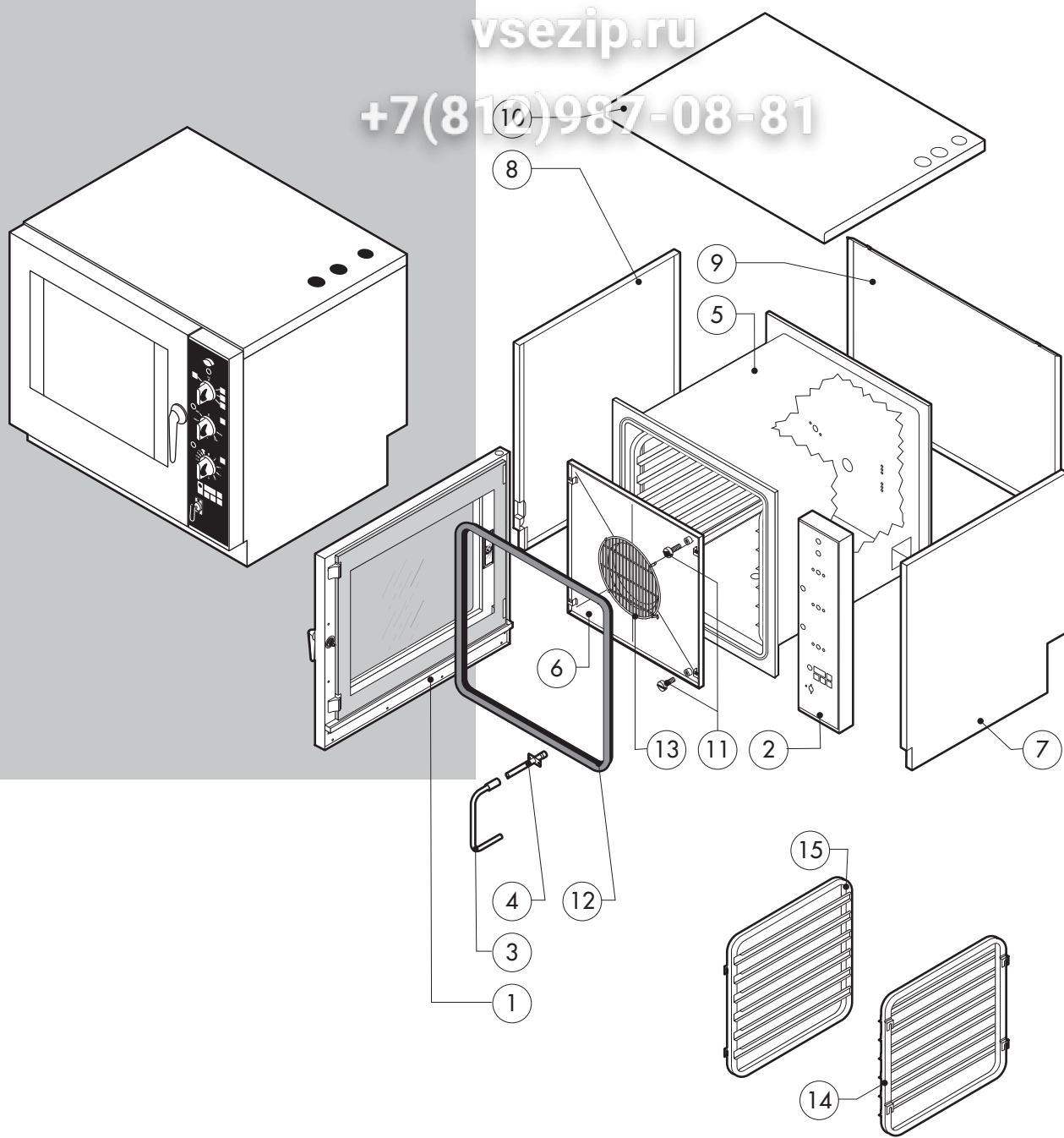


Зип Ощепит

vsezip.ru

+7(810)987-08-81



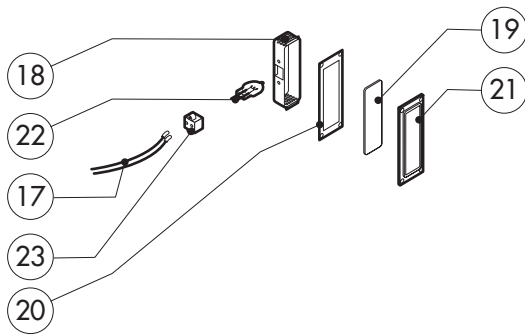
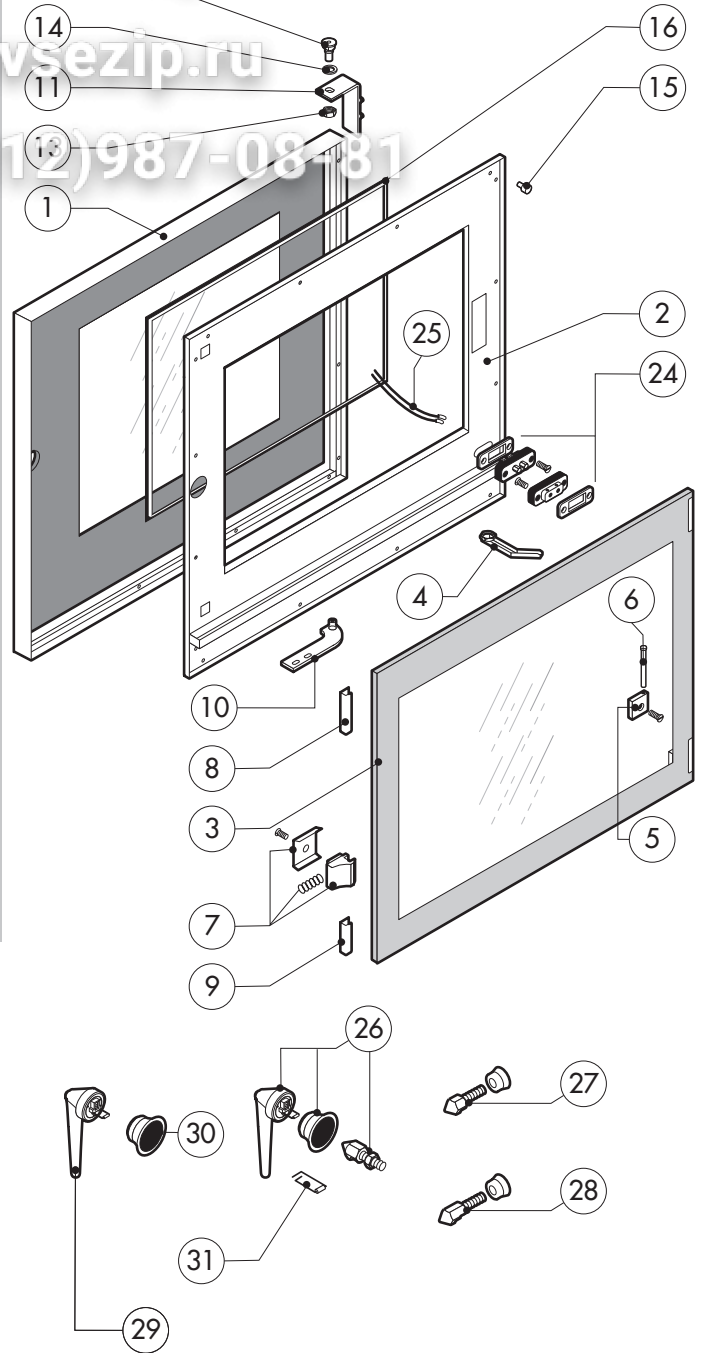
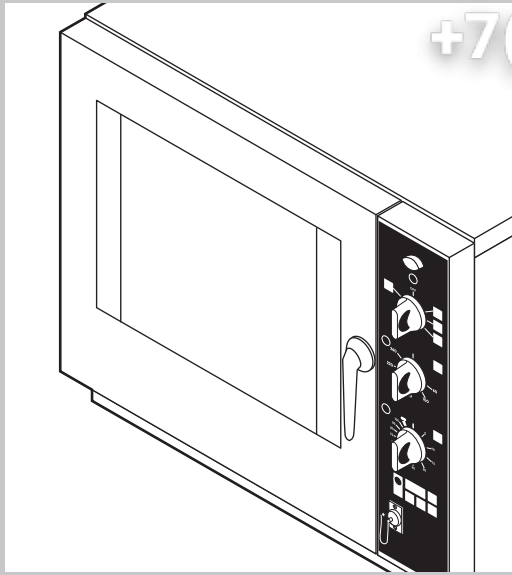
| POS. | CODE | PIECES | DESCRIPTION |
|------|-----------|--------|---------------------------|
| 1 | R11100100 | 1 | DOOR ASSEMBLY |
| 2 | R11200740 | 1 | CONTROL PANEL |
| 3 | R11200650 | 1 | SPRITZER EXTENSION |
| 4 | R11200380 | 1 | SPRITZER UNION |
| 5 | R11200000 | 1 | COOKING CABINET ASSEMBLY |
| 6 | R11200350 | 1 | FAN GUARD PANEL ASSEMBLY |
| 7 | R11200330 | 1 | RIGHT SIDE PANEL |
| 8 | R11200340 | 1 | LEFT SIDE PANEL |
| 9 | R11400950 | 1 | REAR PANEL |
| 10 | R11200190 | 1 | COVER PANEL |
| 11 | R58003100 | 2 | FAN GUARD FASTENING SCREW |
| 12 | R70044100 | 1 | FRONT GASKET |
| 13 | R75300030 | 1 | FAN GUARD GRID Ø 190 |
| 14 | R11200420 | 1 | REMOVABLE RACK DX |
| 15 | R11200430 | 1 | REMOVABLE RACK SX |

| POS. | CODE | PIECES | DESCRIPTION |
|------|------|--------|-------------|
| | | | |
| | | | |
| | | | |
| | | | |
| | | | |
| | | | |
| | | | |
| | | | |
| | | | |
| | | | |
| | | | |
| | | | |
| | | | |
| | | | |
| | | | |

Зип-Общепит

vsezip.ru

+7(812)987-08-81



| POS. | CODE | PIECES | DESCRIPTION |
|------|-----------|--------|---|
| 1 | R11100160 | 1 | DOOR |
| 2 | R11200510 | 1 | INNER DOOR PANEL |
| 3 | R11100130 | 1 | INNER DOOR GLASS |
| 4 | R11200520 | 1 | DOOR DRIP TRAY DRAINAGE |
| 5 | R58001760 | 2 | INNER GLASS SOLID HINGE |
| 6 | R58001770 | 2 | INNER GLASS HINGE PIN |
| 7 | R58001780 | 2 | INNER GLASS CATCH KIT |
| 8 | R11401340 | 1 | TOP "C" PROFILE |
| 9 | R11401360 | 1 | LOWER "C" PROFILE |
| 10 | R11200550 | 1 | LOWER DOOR HINGE - UNTIL N°3503CRXXXXX1 |
| | R11200560 | 1 | LOWER DOOR HINGE - FROM N°3603CRXXXXX2 |
| 11 | R58002150 | 1 | UPPER DOOR HINGE |
| 12 | R58004050 | 1 | HINGE PIN |
| 13 | R10401710 | 1 | NUT FOR UPPER DOOR HINGE |
| 14 | R70050100 | 6 | WASHER FOR UPPER DOOR HINGE |
| 15 | R70044150 | 1 | GLASS SILICON SPACERS |
| 16 | R66110310 | 1 | GLASS GASKET |
| 17 | R11401440 | 1 | DOOR LAMPS CABLE SET |
| 18 | R71500150 | 1 | LAMP COVER |

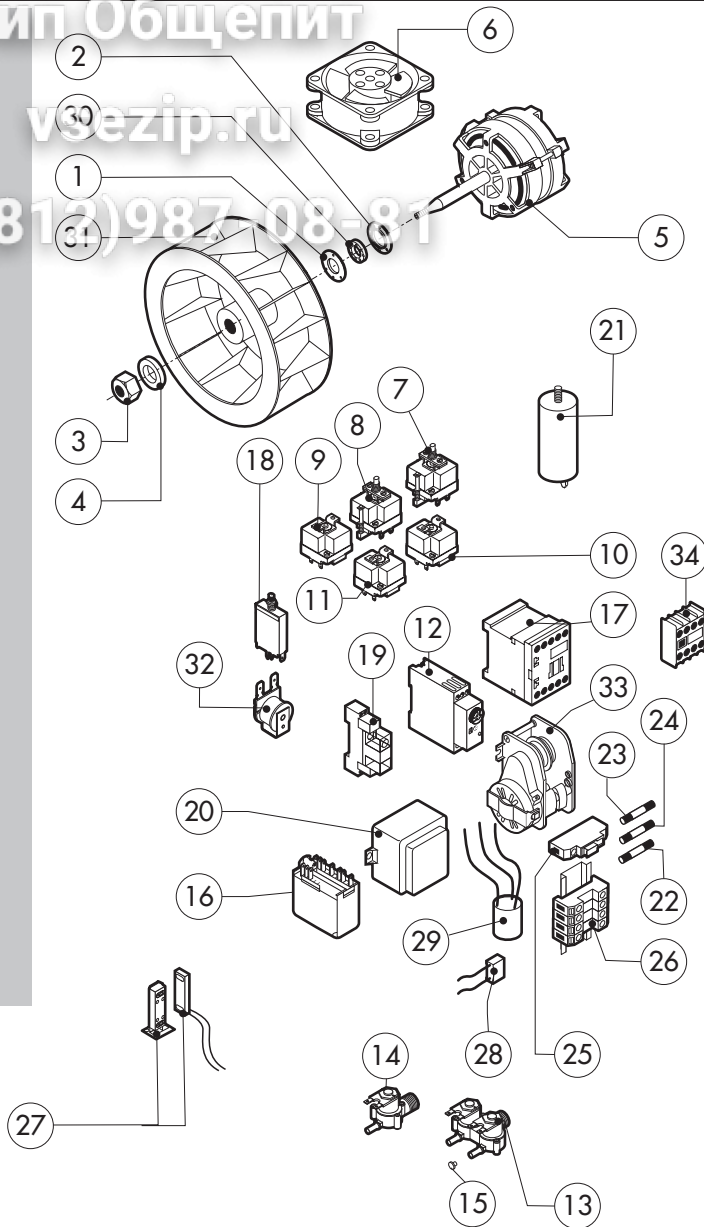
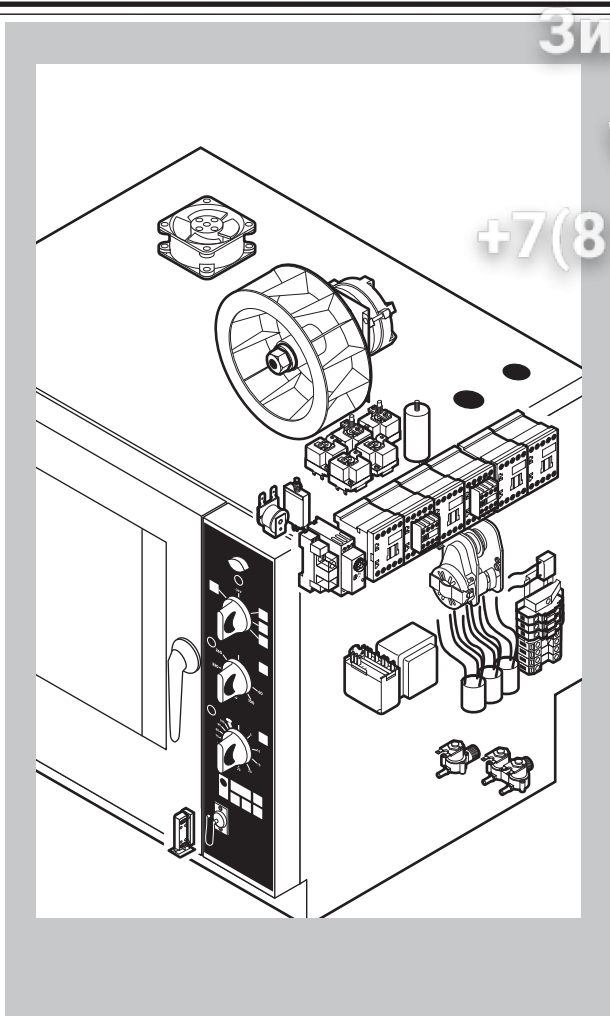
| POS. | CODE | PIECES | DESCRIPTION |
|------|-----------|--------|--------------------------------|
| 19 | R71500150 | 1 | GLASS LAMP |
| 20 | R70044200 | 1 | LAMP GASKET |
| 21 | R11401450 | 1 | GLASS HOLDER LAMP FLANGE |
| 22 | R65270020 | 1 | LIGHT 20W 12V G4 |
| 23 | R65270450 | 1 | LIGHT SOCKET |
| 24 | R65260750 | 1 | LAMPS CONTACT BLOCK |
| 25 | R66110300 | 1 | LAMPS CONTACT CABLE SET |
| 26 | R11100300 | 1 | DOOR HANDLE ASSEMBLY |
| 27 | R69010260 | 1 | DOOR LATCH 1 STEP |
| 28 | R69010270 | 1 | DOOR LATCH 2 STEP |
| 29 | R69010250 | 1 | DOOR CATCH KIT |
| 30 | R69010630 | 1 | INNER DOOR CATCH PLASTIC COVER |
| 31 | R61620132 | 1 | PRONG FLANGE |

Зип Общепит

vsezip.ru

+7(812)987-08-81

016.40.177 0193 300604 DONADINI srl



| POS. | CODE | PIECES | DESCRIPTION |
|------|------------|--------|--|
| 1 | R58003860 | 1 | MOTOR GASKET BRASS FLANGE |
| 2 | R58003870 | 1 | MOTOR GASKET BRASS COUNTER FLANGE |
| 3 | R58004020 | 1 | FAN SECURITY NUT M10 SX |
| 4 | R61400052 | 1 | FAN WASHER Ø 21/10.5 |
| 5 | *R65040421 | 1 | MOTOR KW 025 2P 220-240V KIT |
| 6 | R65060050 | 1 | COMPONENTS VENTILATION MOTOR Ø 120 |
| 7 | R65070350 | 1 | CHAMBER SAFETY THERMOSTAT |
| 8 | R65070081 | 1 | STEAM GENERATOR SAFETY THERMOSTAT |
| 9 | R65070100 | 1 | THERMOSTAT 55°C |
| 10 | R65070165 | 1 | THERMOSTAT 65°C |
| 11 | R65070240 | 1 | THERMOSTAT 70°C |
| 12 | R65090450 | 1 | S.GENERATOR DRAIN TIMER |
| 13 | R65110210 | 1 | SOLENOID VALVE 220V 50HZ WITH FLOW REDUCER |
| 14 | R65110200 | 1 | SOLENOID VALVE 220V 50HZ |
| 15 | R65110510 | 1 | 15 LT/H WATER FLOW REDUCER |
| 16 | R65120010 | 1 | LEVEL REGULATOR |
| 17 | *R65140380 | 6 | CONTACTOR 3RT1016-1AP02 240V |
| 18 | *R65160320 | 1 | THERMIC PROTECTION T12-211S-2A |
| 19 | R65170050 | 1 | RELAY 4052 240V AC 10A |

| POS. | CODE | PIECES | DESCRIPTION |
|------|------------|--------|---------------------------------|
| 20 | R65180420 | 1 | TRANSFORMER 20VA |
| 21 | *R65190180 | 1 | CAPACITOR 10 µF |
| 22 | R65200200 | 1 | FUSE 2A |
| 23 | R65200080 | 1 | FUSE 0.25A (T) |
| 24 | R65200120 | 1 | FUSE 0.25A (T) |
| 25 | R65210020 | 3 | FUSE CARRIER |
| 26 | R65220090 | 1 | TERMINAL BOARD |
| 27 | R65265100 | 1 | DOOR SWITCH |
| 28 | *R65280130 | 1 | INTERFERENCE SUPPRESSOR |
| 29 | *R65280200 | 3 | INTERFERENCE SUPPRESSOR |
| 30 | R70020040 | 1 | MOTOR GASKET |
| 31 | *R75400400 | 1 | FAN Ø 220x78/12 50HZ P.D. KIT |
| 32 | R65330010 | 1 | BUZZER |
| 33 | R65090190 | 1 | REVERSING SWITCH 8' |
| 34 | *R65140420 | 2 | AUX.CONTACT 1L+1R 3RH1911-1FA11 |

*COMPONENT SUBMITTED TO CHANGEMENTS CAUSED BY TENSION DIFFERENT FROM THE STANDARD (3N AC400V 50HZ)

EDIZIONE 0604

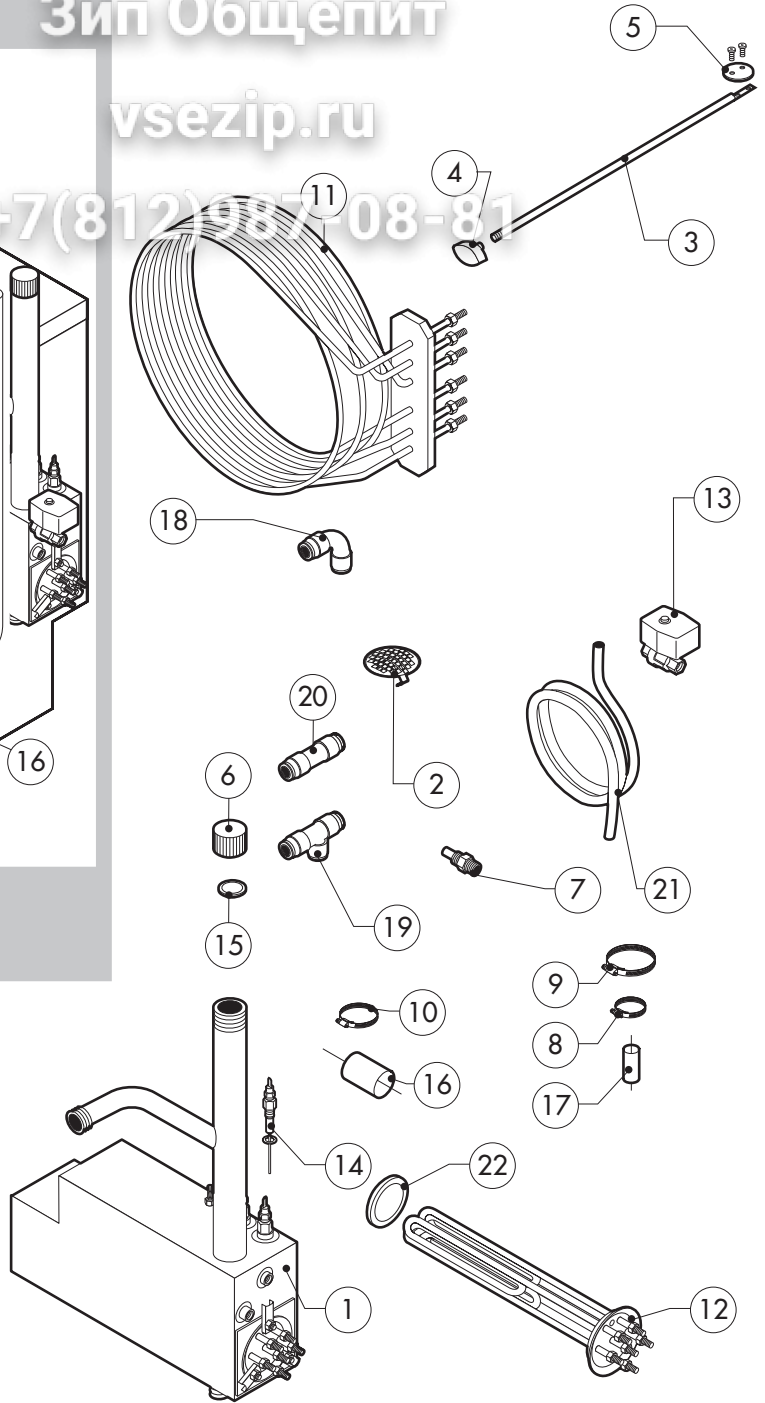
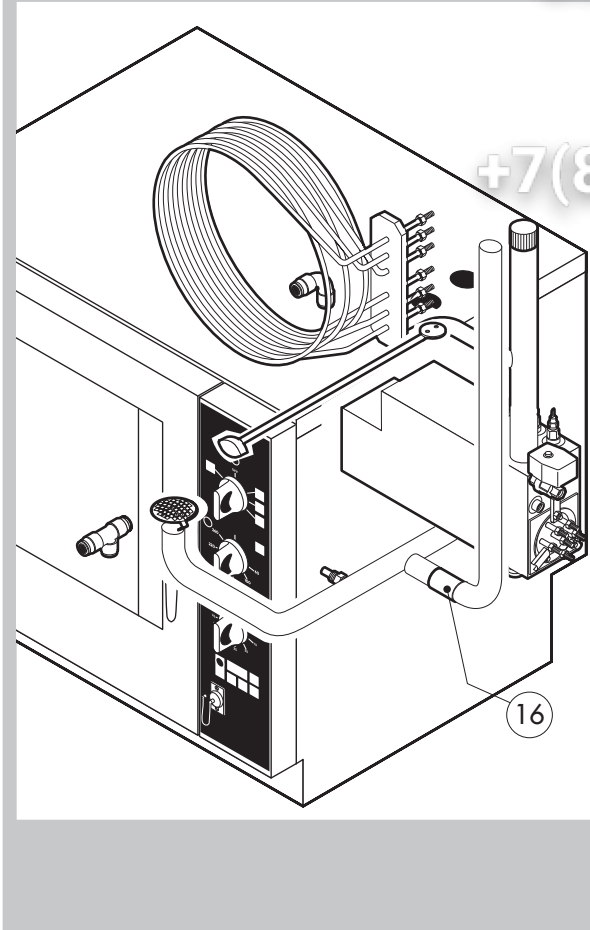
ME 061 M

tav. C

Зип Общепит

vsezip.ru

+7(812)987-08-81



| POS. | CODE | PIECES | DESCRIPTION |
|------|------------|--------|---------------------------------------|
| 1 | R11100410 | 1 | STEAM GENERATOR ASSEMBLY |
| 2 | R10201700 | 1 | DRAIN FILTER |
| 3 | R58003740 | 1 | CHAMBER VENT ROD |
| 4 | R69010410 | 1 | STEAM OUTLET KNOB |
| 5 | R04403460 | 1 | CHAMBER VENT PLATE Ø 46 |
| 6 | R58005680 | 1 | STEAM GENERATOR DESCALING CAP 1"1/4 F |
| 7 | R65110560 | 1 | STEAM QUENCHING NOZZLE Ø 1 |
| 8 | R61630011 | 2 | METAL CLAMPS 12-22/9 |
| 9 | R61630071 | 2 | METAL CLAMPS 110-130/9 |
| 10 | R61630031 | 2 | METAL CLAMPS 40-60/9 |
| 11 | *R65011540 | 1 | CHAMBER HEATING ELEMENT 7500W |
| 12 | *R65020350 | 1 | STEAM GENERATOR HEATING ELEMENT 7500W |
| 13 | R65110560 | 1 | STEAM GENERATOR DRAIN MOTORIZED VALVE |
| 14 | R65320010 | 2 | STEAM GENERATOR LEVEL PROBE |
| 15 | R70050040 | 1 | STEAM GENERATOR CAP GASKET |
| 16 | R70060040 | 1 | SILICON COUPLING Ø 50 |
| 17 | R70060080 | 1 | SILICON COUPLING Ø 13 |
| 18 | R62090478 | 6 | ELBOW MIDDLING PIPE FITTING D.10 |
| 19 | R62090468 | 1 | "T" MIDDLING PIPE FITTING D.10 |

| POS. | CODE | PIECES | DESCRIPTION |
|------|-----------|--------|---|
| 20 | R62090458 | 1 | STRAIGHT MIDDLING PIPE FITTING D.10 |
| 21 | R70070050 | 1 | PE D.10 MM X7 WATER FLEXIBLE PIPE (3 MT LONG) |
| 22 | R70045010 | 1 | STEAM GENERATOR HEATING ELEMENT GASKET |
| | | | |
| | | | |
| | | | |
| | | | |
| | | | |
| | | | |
| | | | |
| | | | |
| | | | |
| | | | |
| | | | |
| | | | |
| | | | |
| | | | |
| | | | |
| | | | |
| | | | |
| | | | |
| | | | |
| | | | |
| | | | |

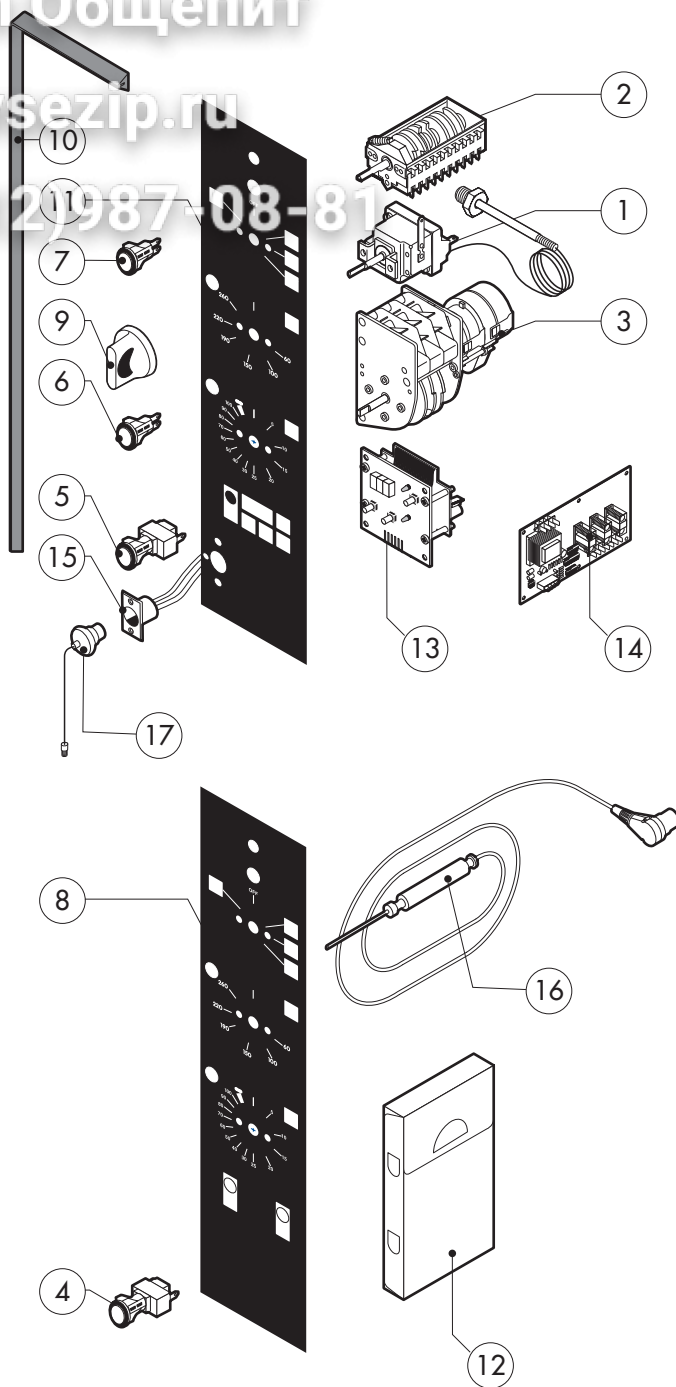
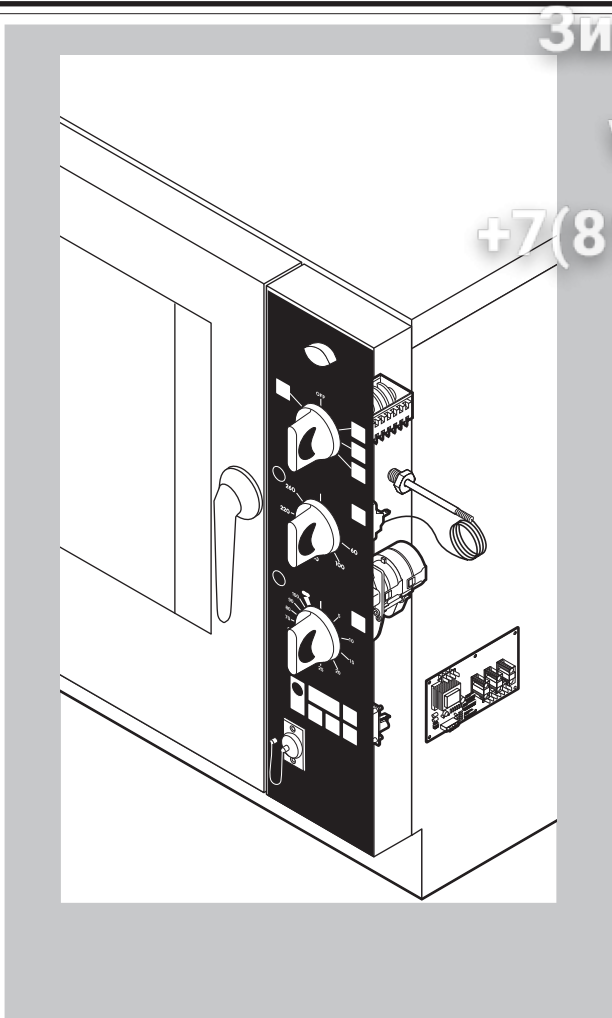
*COMPONENT SUBMITTED TO CHANGEMENTS CAUSED BY TENSION DIFFERENT FROM THE STANDARD (3N AC400V 50HZ)

Зип Общепит

vsezip.ru

+7(812)987-08-81

016.40.177.0195 300604.DONADINI.srl



| POS. | CODE | PIECES | DESCRIPTION |
|------|-----------|--------|---|
| 1 | R65070360 | 1 | CABINET THERMOSTAT 50/270°C |
| 2 | R65080020 | 1 | MAIN SELECTOR SWITCH |
| 3 | R65090200 | 1 | TIMER |
| 4 | R65260600 | 1 | SWITCH |
| 5 | R65260610 | 1 | HUMIDIFIER PUSH BUTTON |
| 6 | R65270150 | 2 | ORANGE INDICATING LIGHT |
| 7 | R65270160 | 1 | GREEN INDICATING LIGHT |
| 8 | R67012950 | 1 | LAINOX PLATE |
| 9 | R69030150 | 3 | KNOB - UNTIL N°2604 |
| | R69030170 | 3 | |
| 10 | R70044250 | 1 | CONTROL PANEL GASKET |
| 11 | R67012960 | 1 | LAINOX PLATE |
| 12 | R86020420 | 1 | CORE TEMPERATURE PROBE BOX |
| 13 | R65300540 | 1 | CONTROL PANEL P.C. BOARD |
| 14 | R65300490 | 1 | RELAYS P.C. BOARD |
| 15 | R65320920 | 1 | CORE TEMPERATURE PROBE FEMALE CONNECTOR |
| 16 | R65320900 | 1 | CORE TEMPERATURE PROBE |
| 17 | R65321020 | 1 | COVER FOR FEMALE CONNECTOR |

| POS. | CODE | PIECES | DESCRIPTION |
|------|------|--------|-------------|
| | | | |
| | | | |
| | | | |
| | | | |
| | | | |
| | | | |
| | | | |
| | | | |
| | | | |
| | | | |
| | | | |
| | | | |
| | | | |
| | | | |
| | | | |
| | | | |
| | | | |
| | | | |
| | | | |
| | | | |
| | | | |
| | | | |