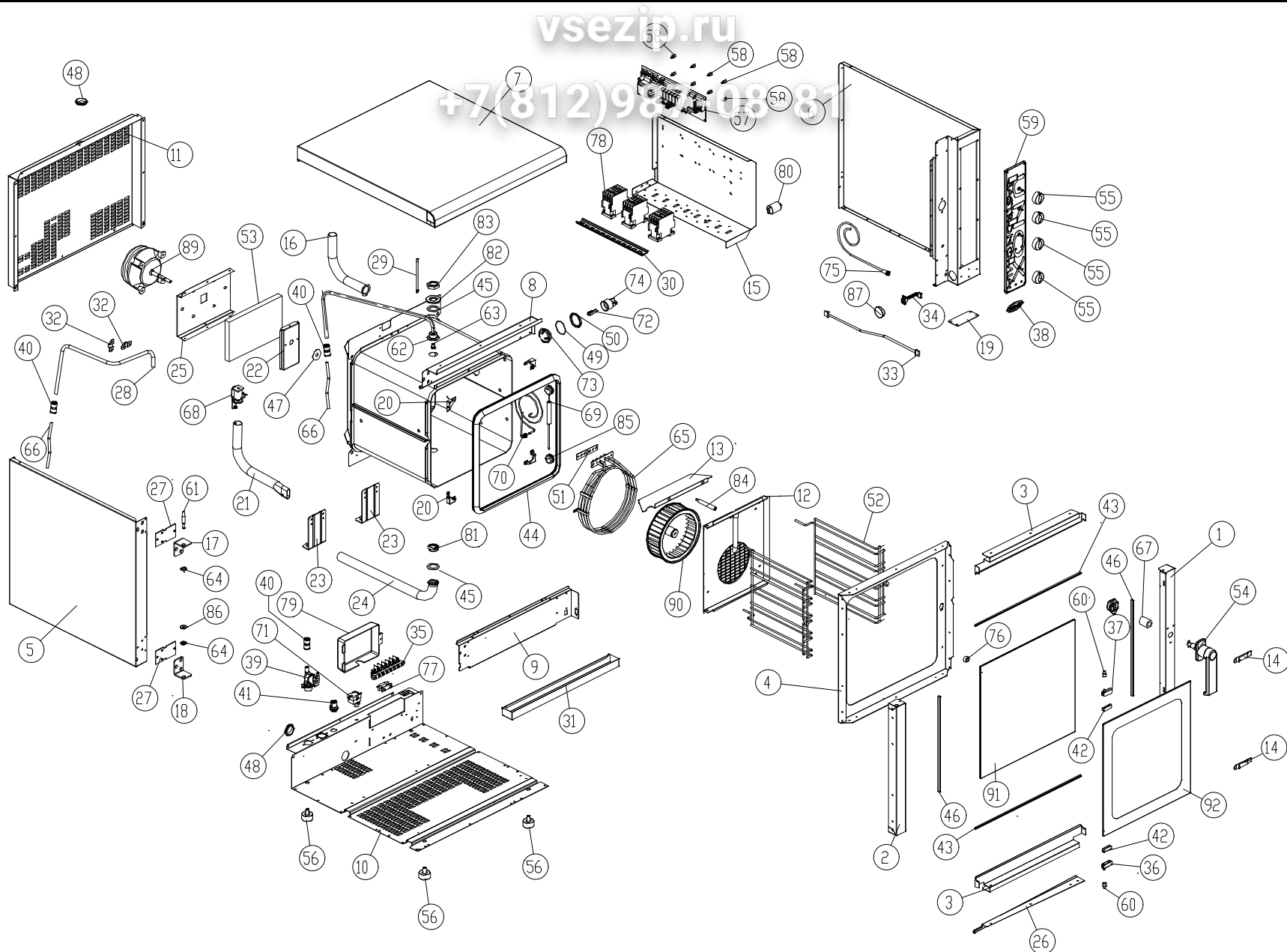


MOD: XV203G

Зип Общепит

EXPLODED VIEW DISEGNO ESPLOSO



LEGEND - LEGENDA

1	OB1035A1	56	PD061A
2	OB1040A0	57	PE1010B1
3	OB1070A0	58	PE102
4	OB1075A2	59	PE1050B2
5	OD1040C0	60	RC1000B0
6	OD1041C0	61	RC1035A0
7	OD1045B0	62	RC1136A0
8	OD1050B0	64	RC540
9	OD1051B0	65	RS1050A0
10	OE1010C3	66	TB008
11	OF1025C3	67	TB1005A0
12	OG1030B2	68	VE1135A0
13	OG1040B1	69	TR1000A4
14	2H032	70	TR1005A2
15	OH1005E0	71	TR255B
16	OH1015A1	72	VE1005A1
17	OH1020A0	73	VE1010A1
18	OH1021A0	74	VE1015A1
19	OH1030A2	75	VE1020A0
20	OH1450A0	76	VE1030A1
21	OH1050A2	77	VE1075A0
23	OH1065A0	78	VE1095A0
24	OH1075A0	79	VE1100A0
25	OH2015A0	80	VE221
26	OH1110A3	81	VII030A2
27	OH1140A2	82	VII235A0
28	OH1500A0	83	VII245A0
31	OM1010A2	84	VII510A0
32	2H070	85	VII515A1
33	CE1000C0	86	VI524
34	CE1005B0	87	VM1005A0
35	CE212	88	VM250
36	CR045	89	VNI1000B0
37	CR046	90	VNI1025A2
38	ED1070A0	91	VTI025A0
39	EL1155A0	92	VTI026A0
40	EL1055A0		
41	EL1125A0		
42	GN006A		
43	GN100		
44	GN1000B0		
45	GN1010A0		
46	GN102		
47	GN1140A0		
48	GN1045A0		
49	GN1055A0		
50	GN1065A1		
51	GN224		
52	GRL1045A1		
54	MG1000A0		
55	MN121A		

MOD: XV203G

Зип Общепит

EXPLODED VIEW DISEGNO ESPLOSO



DESCRIZIONE CODICI

vsezip.ru

1	OB1035A1	COLONNINA LATERALE DX INOX XB403 XV203/303
2	OB1040A0	COLONNINA LATERALE SX INOX XB403 XV203/303
3	OB1070A0	LISTELLO SUP./INF. PORTA INOX SERIE XV203G
4	OB1075A2	PORTA INTERNA INOX SERIE 200
5	OD1040C0	FIANCO SX INOX XV203/303G
6	OD1041C0	FIANCO DX INOX XV203/303G
7	OD1045B0	COPERCHIO INOX XV203G
8	OD1050B0	SUPPORTO FRONT.SUP.MUFFOLA XV203G
9	OD1051B0	SUPPORTO FRONT.INF.MUFFOLA XV203G
10	OE1010C3	FONDO ESTERNO INOX SERIE 200
11	OF1025C3	SCHIENA INOX SERIE 200
12	OG1030B2	CARTER ARIA INOX SERIE 200
13	OG1040B1	DIST. CARTER ARIA INOX XV203G
14	2H032	LAMIERA FERMA PORTA FREDDA LAVATO
15	OH1005E0	LAMIERA PORTACOMPONENTI SERIE XB-XV
16	OH1015A1	CAMINO FUMI D-EST=30 SP=1 INOX XB-XV
17	OH1020A0	STAFFA SUP. SUPPORTO PORTA
18	OH1021A0	STAFFA INFERIORE SUPP. PORTA
19	OH1030A2	TAPPO INF. CHIUSURA CRUSCOTTI
20	OH1450A0	ANGOLO FACCIATA MUFFOLA INOX XB-XV-XG L.M.
21	OH1050A2	TUBO VENTURI D-EST=30 SP=1 INOX XB-XV-XG
22	OH1065A0	NUOVO SOSTEGNO MUFFOLA STANDARD
24	OH1075A0	TUBO SCARICO INOX ø30x1.5 SERIE XV
25	OH2015A0	PROFILO SOSTEGNO MOTORE XV203G/403G L.M.
26	OH1110A3	SALVAGOCIA PORTA XV203G
27	OH1140A2	CONTROSTAFFA PORTA XB-XG-XV
28	OH1500A0	TUBO ESTERNO UMIDITA' SERIE XB-XV
31	OM1010A2	CASSETTO GOCCIOLAIO XV203G
32	2H070	PROFILO FERMA TUBO UMIDITA' LAVATO
33	CE1000C0	CAVO COLL. SCHEDA POT-CONTR 4 FILI VERS. 2003 UL CSA CON
34	CE1005B0	CAVO COLLEG. SCHEDA CONNETT.DB9F RS232 VERS. 2003
35	CE212	MORSETT. SFK/7FTW GV V0 00160593
36	CR045	CERN.DX INOX XV-XL-XB
37	CR046	CERN.SX INOX XV-XL-XB
38	ED1070A0	ETICHETTA UNOX ELLISSE 78x33 ARGENTO CON BORDO EST.
39	EL1155A0	ELETR SING. ATT. J.GUEST INCORPORATO CON RID.ROSSO TARA
40	EL1055A0	RIDUZIONE J.G. DA D=10 A D=8 PM201008E
41	EL1125A0	PASSAPARETE ø8
42	GN006A	GUARN.PORTA FREDDA A BAND. PTFE CAR/CARB Sp=1mm
43	GN100	PROFILO PORTA SIL NERO P346 XT
44	GN1000B0	GUARNIZIONE NERA 50 SHORE FORNI XB-XG-XV
45	GN1010A0	GUAR.PTFE+CARB NUOVO SCARICO ø42x28,5x2
46	GN102	PROFILO PORTA SIL NERO C121 XT
47	GN1140A0	GUARNIZIONE PORTAMOTORE STAMP. ALBERO MOT. D10 XB-X
48	GN1045A0	GUARN.ANTIVIBR. CAMINO-SCARICO ø131-øe39,9-Sp=7,5
49	GN1055A0	OR 46x2 VMQ 70 ROSSO
50	GN1065A1	GUARNIZIONE PORTALAMPADA DE=53.2 DI=44.2 SP=3.2 PTFE P
51	GN224	GUARN.PTFE+CARB 100x22x0,8sp-c/fori 1999
52	GRL1045A1	GRIGLIA LAT. DX/SX INOX 5TG GN
54	MG1000A0	NUOVA MANIGLIA STANDARD
55	MN121A	MANOPOLA CON INDICE NON SERIGRAFATO '04

56	PD061A	PIEDINO M10 D=35 H=20 NERO C.A.T.C
57	PE1010B1	SCHEDA DI POTENZA LINEA PROFESSIONAL VER. 2003.NET
58	PE102	SUPPORTO PER SCHEDA 24POT98
59	PE1050B2	CC. N. D. O. L. V. E. F. I. C. L. E. T. O. P. I. T. O. S. I. R. O. N. O. M. I. A
60	RC1000B0	B.C. C. L. A. I. I. D. X. S. P. P. V. T. R. O. S. A. D. I. ?
61	RC1035A0	PERNO FILETTATO SUP. PORTA XB-XV-XG
62	RC1136A0	RACC.PORTA GIRANTE CON TUBO ØH1778A0 SALDATO
64	RC540	BOCCOLA BRONZO STAFFE SUPP. PORTA XV501
65	RS1050A0	RESISTENZA CIRCOLARE 3000W+2000W 230V INCOLOY 5 GIRI
66	TB008	TUBO PE 7,93x4,75 TRASPARENTE
67	TB1005A0	TUBO SIL NERO 27x17 55/65 Sh
68	VE1135A0	ATTUATORE VENTURI 220V 50/60 Hz SERIE 2
69	TR1000A4	SONDA AL CUORE MANICO LISCIO
70	TR1005A2	SONDA DI TEMP. CON PASSAPARETE DOPPIA SALD AISI316L
71	TR255B	TERMOSTATO SIC.+UNIPOL.330°C Ty95H L=1300mm
72	VE1005A1	LAMPADA ALOGENA 40W 230V
73	VE1010A1	VETRO COPRILAMPADA TEMPERATO ANTISHOCK
74	VE1015A1	PORTA LAMPADA SERIE 2 PER LAMPADA ALOGENA
75	VE1020A0	MICROINTERRUTTORE PORTA MAGNETICO
76	VE1030A1	CALAMITA D=22,9mm PER MICROPORTA
77	VE1075A0	PRESSACAPO FV 268 RO
78	VE1095A0	TELERUTTORE GE 25A 230V 50/60 Hz CL01A400T6
79	VE1100A0	SCATOLA COPRI MORSETTIERA NYLON XBT/XVT
80	VE221	CONDENS.ICAR PRL 5uf 450V FASTON
81	V11030A2	TAPPO FRESATO PER NUOVO SCARICO
82	V11235A0	RONDELLA PIANA 50x28x4 INOX
83	V11245A0	DADO 3/4" H=10 INOX FISSAGGIO PORTA GIRANTE
84	V11510A0	PERNO FILETTATO INOX M6 DIST. CARTER ARIA
85	V11515A1	SUPPORTO SONDA AL CUORE CON CAVA PER FIO INOX
86	V1524	RONDELLA 6x24x2 INOX
87	VM1005A0	COPRITESTA ROTONDO ABS NERO 40x2
88	VM250	MORSETT.A PETTINE
89	VN1000B0	MOTORE COND.5uf 200W ALB.M8 CONN.5 POLI
90	VN1025A2	VENTOLA D=196 H=61 38 PALE INOX DADO M8
91	VT1025A0	VETRO INT.449x436x6 TFL
92	VT1026A0	VETRO EST.SER.GRIGIO 415x435x4 BETFL XV203G

DESCRIPTION

1	OB1035A1	STAINLESS STEEL DOOR RIGHT LATERAL COLUMN XB403 XV203/
2	OB1040A0	STAINLESS STEEL DOOR LEFT LATERAL COLUMN XB403 XV203/30
3	OB1070A0	UPPER/LOWER LISTEL INOX DOOR SERIE XV203G
4	OB1075A2	
5	OD1040C0	
6	OD1041C0	
7	OD1045B0	STAINLESS STEEL COVER XV203G
8	OD1050B0	
9	OD1051B0	
10	OE1010C3	
11	OF1025C3	
12	OG1030B2	
13	OG1040B1	
14	2H032	WASHED METAL HOLDER FOR COOL DOOR
15	OH1005E0	
16	OH1015A1	
17	OH1020A0	UPPER BRACKET TO HOLD THE DOOR
18	OH1021A0	LOWER BRACKET TO HOLD THE DOOR
19	OH1030A2	BOTTOM LID TO CLOSE CONTROL PANEL
20	OH1450A0	STAINLESS STEEL MUFFLE FRONT FACE ANGLE XB-XV-XG-L.M.
21	OH1050A2	
22	OH1065A0	NEW STANDARD CAVITY SUPPORT
24	OH1075A0	STAINLESS STEEL DRAIN PIPE ø30x1.5 SERIE XV
25	OH2015A0	FORM FOR MOTOR SUPPORT XV203G/403G L.M.
26	OH1110A3	
27	OH1140A2	DOOR COUNTERSTIRRUP XB-XG-XV
28	OH1500A0	EXTERNAL HUMIDITY TUBE NEW LINE STAND
31	OM1010A2	DRIP TRAY XV203G
32	2H070	WASHED PROFILE TO HOLD HUMIDITY TUBE
33	CE1000C0	CONNECTION CABLE POWER - CONTROL CARD 4 WIRES VERS. 20
34	CE1005B0	CONNECTION CABLE CONTROL-CONNETT.DB9F RS 232 VERS. 20
35	CE212	TERMINAL BOARD SFK/7FTW GV V0 00160593
36	CR045	RIGHT STAINLESS STEEL HINGE XV-XL-XB
37	CR046	LEFT STAINLESS STEEL HINGE XV-XL-XB
38	ED1070A0	UNOX ELLIPTICAL STICKER 78x33-SILVER WITH EXTERNAL FRAME
39	EL1155A0	WATER SINGLE ELECTROVALVE + J.G. CONN. INCL. W/ RED CALR
40	EL1055A0	J.G. REDUCTION FROM D=10 TO D=8 PM201008E
41	EL1125A0	WALL PASSING SEAL Ø8
42	GN006A	COLD DOOR SEAL PTFE CAR/CARB Thickness=1mm
43	GN100	DOOR BLACK SEAL P346 XT
44	GN1000B0	BLACK DOOR SEAL 50 SHORE OVENS XB-XG-XV
45	GN1010A0	SEAL PTFE+CARB NEW DRAIN ø42x28,5x2
46	GN102	BLACK SILICON DOOR PROFILE C121 XT
47	GN1140A0	MOTOR GASKET
48	GN1045A0	ANTIVIBR.SEAL FOR EXHAUST CHIMNEY ø131-øe39,9-Sp=7,5
49	GN1055A0	OR 46x2 VMQ 70 RED
50	GN1065A1	SEAL FOR LAMP GLASS COVER (PURE PTFE) DE=53.2 DI=44.2 TH=
51	GN224	PTFE+CARB 100x22x0,8sp-w/holes 1999 GASKET
52	GRL1045A1	RIGHT/LEFT LATERAL GRID STAINLESS STEEL 5 TRAYS GN 1/1
54	MG1000A0	NEW STANDARD HANDLE
55	MN121A	KNOB WITH NON SERIGRAPHIED INDEX '04

56	PD061A	SMALL FOOT M10 D=35 H=20 BLACK OPAQUE
57	PE1010B1	PROFESSIONAL POWER CARD VER. 2003.NET
58	PE102	SUPPORT FOR CARD 24POT98
59	PE1050B2	COMPLETE VERTICAL CONTROL GASTRONOMY
60	RC1000B0	STAINLESS STEEL UPPER BUSHING FOR GLASS
61	RC1035A0	THREADED DOOR TOP XB-XV-XG
62	RC1136A0	ROTOR SUPPORT CONNECTION WITH WELDED TUBE ØH1778A0
64	RC540	BRONZE BUSHING FOR STIRRUP TO HOLD DOOR XV501
65	RS1050A0	CIRC.HEAT.ELEMENT 3000W+2000W 230V INCOLOY 5 RODS
66	TB008	TRANSPARENT TUBE PE 7,93x4,75
67	TB1005A0	BLACK SILICONE PIPE 27x17 55/65 Sh
68	VE1135A0	VENTURI ACTUATOR 220 V 50/60 Hz SERIES 2
69	TR1000A4	
70	TR1005A2	TEMPERATE PROBE WITH WALL PASSING NUT-DOUBLE WELDING
71	TR255B	SAFETY THERMOSTAT+UNIPOL. 330°C Ty95H L=1300mm
72	VE1005A1	HALOGEN LAMP 40W
73	VE1010A1	TEMPERED LIGHT BULB GLASS COVER
74	VE1015A1	LAMP HOLDER SERIE 2 FOR HALOGEN LAMP
75	VE1020A0	MAGNETIC DOOR MICROSWITCH
76	VE1030A1	MAGNET FOR DOOR MICROSWITCH D=22,9mm
77	VE1075A0	CABLE PRESS FV 268 RO
78	VE1095A0	REMOTE CONTROL SWITCH GE 25A 230V 50/60 Hz CL01A400T6
79	VE1100A0	TERMINAL BOARD BLACK NYLON COVER XBT/XVT
80	VE221	ICAR CONDENSER PRL 5uf 450V FASTON
81	V11030A2	MILLED LID FOR NEW DRAIN PIPE
82	V11235A0	STAINLESS STEEL FLAT WASHER 50x28x4
83	V11245A0	STAINLESS STEEL 3/4" H=10 NUT TO FIX ROTATING ARM
84	V11510A0	STAINLESS STEEL THREADED PIN M6 FAN GUARD SPACER
85	V11515A1	STAINLESS STEEL CORE PROBE SUPPORT WITH CANAL FOR CABLE
86	V1524	STAINLESS STEEL WASHER 6x24x2
87	VM1005A0	ROUND HEAD COVER BLACK ABS 40x2
88	VM250	"COMB" TERMINAL BOARD
89	VN1000B0	MOTOR COND.5uf 200W ALB.M8 CONN.5 TERMINALS
90	VN1025A2	FAN D=196 H=61 38 BLADES STAINLESS STEEL NUT M8
91	VT1025A0	INTERNAL GLASS 449x436x6 TFL
92	VT1026A0	EXTERNAL GREY SER.GLASS 415x435x4 BETFL XV203G