

Зип Общепит

vsezip.ru

+7(812)987-08-81

HOOD TYPE MACHINE

INSULATED HOOD
ELECTRONICAL CONTROL

TYPE: 115U

Accessories

BOOSTER PUMP

DVGW

WATER SOFTNER

DETERGENT DISPENSER

DRAIN PUMP

Spare parts manual



INFORMAZIONI GENERALI

Questo catalogo serve per richiedere con esattezza le parti di ricambio

Nelle ordinazioni indicare:

1) il numero dei codici dei particolari seguito dalla descrizione e la quantità desiderata;

2) Il codice alfa-numerico presente nella seconda colonna della tabella ;

I disegni delle parti di ricambio sono solo indicativi e non rappresentano il pezzo in oggetto.

I dati contenuti in questo catalogo sono indicativi e possono essere soggetti a modifiche senza impegno di preavviso.

ALLGEMEINE INFORMATIONEN

Dieser Ersatzteilkatalog dient zur genauen Angabe der Teile bei Ersatzteilbestellungen.

Bei Ersatzbestellung ist folgendes anzugeben:

1) Die Bestellnummer der Ersatzteile mit der entsprechenden Beschreibung genaue Menge;

2) Der alpha-numerischer Code auf der zweiten Reihe in dein Schuld;

Die Zeichnungen der Ersatzteile sind nur als Hinweise gedacht und stellen nicht das betroffene Teil dar.

Bei den im Katalog angeführten Daten handelt es sich um Anhaltsdaten, die jederzeit, ohne Vorankündigung, geändert werden können.

GENERAL INFORMATION

The present spare parts order exactly the right spare parts

When ordering specify:

1) the part's code number followed by its description and quantity needed;

2) The alpha-numeric code is in the second column in the chart;

Spare parts drawings are general and do not represent the part.

The contents of this catalogue are general and can undergo changes without prior notice.

INFORMACIONES GENERALES

El presente catálogo sirve para pedir con exactitud las partes de repuesto

En los pedidos se debe indicar:

1) el número de código de la parte y a continuación la descripción cantidad deseada;

2) El código alfanumerico presente en la segnada columna de la tabla;

Los diseños de las partes de recambio son solo indicativos y no representan la pieza en cuestión.

Los datos contenidos en el presente catálogo son indicativos y pueden modificarse sin aviso previo.

INFORMATIONS GENERALES

Ce catalogue permet de commander correctement les pièces détachées

Les commandes doivent être passées en indiquant:

1) le numero de code des pièces détachées suivi de leur description quantité désirée;

2) le code alphanumérique dans la deuxième colonne du tableau;

Les plans des pièces détachées sont fournis seulement à titre indicatif et ne représentent pas la pièce concernée.

Les données de ce catalogue sont citées seulement à titre indicatif et peuvent être l'objet de modifications sans avis préalable.

**ESEMPIO
EXAMPLE
EXEMPLE
BEISPIEL**

| Rif. | Codici |
|--------------------|---------|
| MODULE:Particolari | |
| 10505 | 540903 |
| 10510 | 540908 |
| 10515 | 15065/A |
| 10520 | 540086 |
| 10525 | 540028 |



Note

Tutte le informazioni riportate si intendono aggiornate alla data di stampa. Il Produttore si riserva il diritto di apportare qualsiasi modifica richiesta dallo sviluppo evolutivo dei suddetti prodotti.

Per la sicurezza, la garanzia, l'affidabilità ed il valore della lavastoviglie usa solo ricambi originali. **Per alcuni codici, sono richieste quantità minime d'ordine.**



Attenzione

Questo libretto è parte integrante della lavastoviglie e, in caso di passaggio di proprietà, deve essere consegnato al nuovo acquirente.



Remarque

Toutes les informations contenues dans ce manuel s'entendent mises à jour à la date d'impression. En raison du développement constant de ses produits, usine se réserve le droit d'apporter à tout instant les modifications qu'elle jugera utiles.

Pour la sécurité, la garantie, la fiabilité et la valeur de votre lavevaisselles n'utilisez que des pièces de rechange d'origine. **Pour quelque référence on demande un minimum de pièces par commande**



Attention

Ce manuel doit être considéré comme partie intégrante de la lavevaisselles, en cas de transfert de propriété, doit toujours être remis au nouveau propriétaire.



Note

The information contained herein is valid at the time of going to print. The Company reserves the right to make any changes required by the future development of the above-mentioned products.

For your safety, as well as to preserve the warranty reliability and worth of your dishwashers, use original spare parts only. **For some codes a minimum quantity for order is required.**



Warning

This manual forms an integral part of the dishwashers and - if a transfer of title occurs - must always be handed over to the new owner.



Hinweis

Die Der Hersteller behält sich das Recht vor, jegliche, durch eine Weiterentwicklung der genannten Produkte bedingte Änderungen vornehmen zu können.

Verwenden Sie für Ihre Sicherheit, die Garantie, die Zuverlässigkeit und den Wert Ihrer machine originale Ersatzteile. **Für bestimmte Code nummer werden mindesten bestellungen verlangt.**



Achtung

Diese Betriebsanleitung ist Bestandteil des machine und muss bei seinem Weiterverkauf dem neuen Besitzer ausgehändigt werden.

vsezip.ru
+7(812)987-08-81



Code DW 999XXYYYY **CL/Part**

Model DESCRIPTION

S/N DW A 1015770 **Type**

400V 3N 50HZ 8A
3500W 500W

IPX3  16A

Pressione Dinamica alimentazione idrica **200-500 kPa**

Pression dynamique arrivée d'eau

Dynamic pressure water supply

Dynamischer Druck asserreinlauf

Pressione dinamica vapore saturo

Pression dynamique vapore satueèè

Dymanischer Druck gesattigter Dampf

Pression Dinamica Vapor Saturado

TECHICAL SPECIFICATION



MADE IN ITALY

Temperatura massima acqua in ingresso **60°C**

Temperature max eau a l'entre

Maximale Temperatur Wasseranschlü

Maximum Water temperature in-feeding

Model 

S/N 



Spare parts

Зип Общепит

vsezip.ru

+7(812)987-08-81

vsezip.ru

+7(812)987-08-81

1. Spare parts

| | |
|------------------------------------|----|
| General body parts..... | 9 |
| Closing panelig..... | 11 |
| Heat recovery | 13 |
| Control panel and switches..... | 15 |
| Electric control components..... | 17 |
| Solenoid valve group | 19 |
| Solenoid valve group | 21 |
| Rinse with steady temperature..... | 23 |
| Booster pump..... | 25 |
| DVGW valve | 27 |
| Water softner group..... | 29 |
| Rinse aid dispenser group..... | 31 |
| 3 ways connection | 33 |
| Wash pump group..... | 35 |
| Dosing detergent group..... | 37 |
| Drain pump group..... | 39 |

Pressure switch group with air trap...41

Turret group with rotating arms43

1.1 Voltage codes

| Volt | Voltage code |
|------|-------------------------|
| A | 3/N/PE~380-400V 50-60Hz |
| D | 3/PE~200-210V 50-60Hz |
| F | 2/PE~220-240V 50-60Hz |
| G | 3/N/PE~415V 50-60Hz |
| H | 3/PE~220-230V 50-60Hz |
| K | 3/PE~380-400V 50-60Hz |
| L | 3/PE~415V 50-60Hz |
| M | 3/PE~440V 60Hz |
| P | 1/N/PE~220-230V 50-60Hz |
| R | 2/PE~220-240V 50-60Hz |
| U | 1/N/PE~240V 50-60Hz |
| V | 3/PE~240V 50-60Hz |
| W | 1/N/PE~100-110V 50-60Hz |

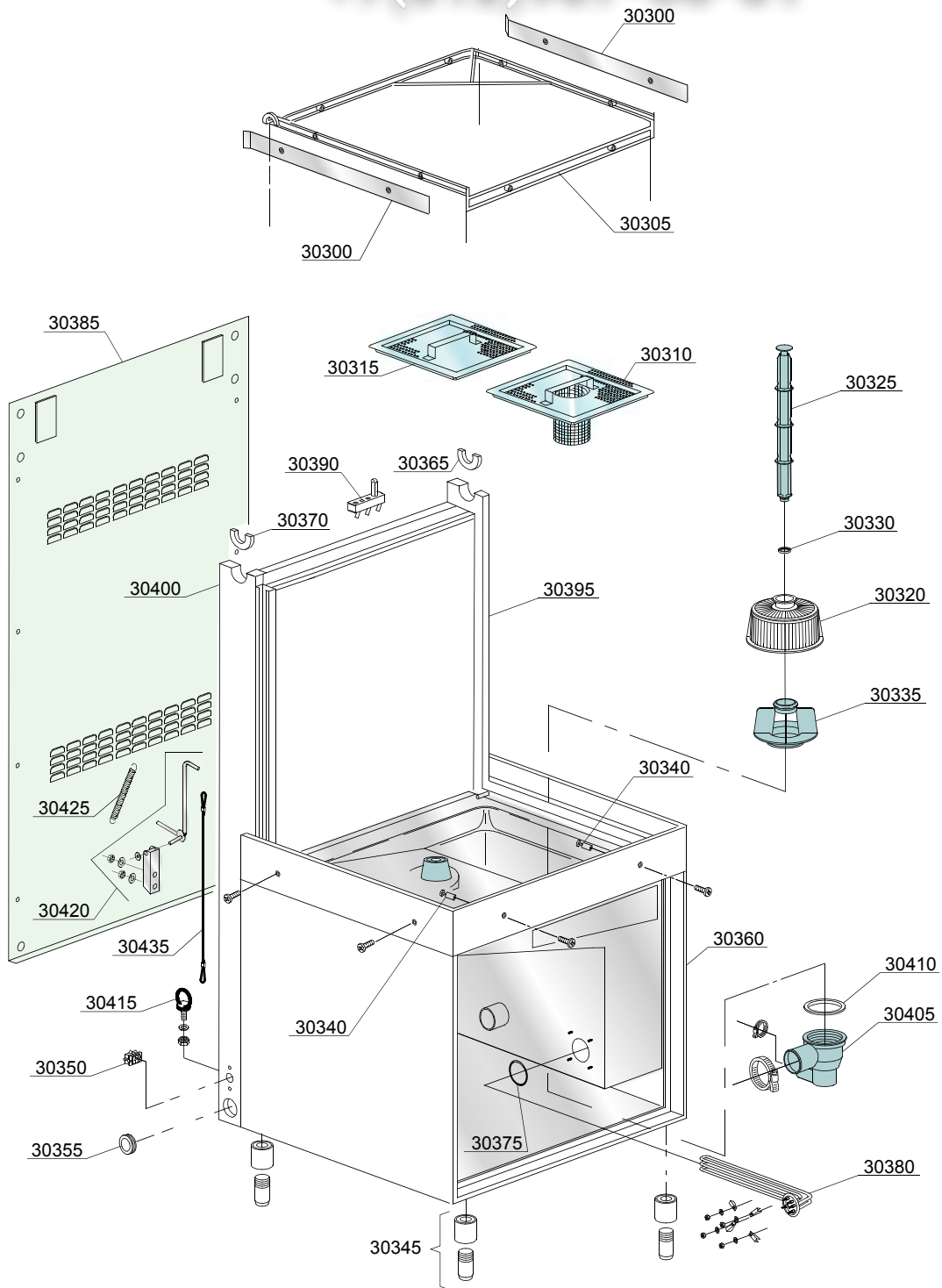
1.2 Product codes

| Product code | Full name |
|-----------------|----------------------|
| Model codes | |
| i | INSULATED HOOD |
| e | ELECTRONICAL CONTROL |
| Type codes | |
| 115U | 115U |
| Accessory codes | |
| bp | BOOSTER PUMP |
| dvgw | DVGW |
| ws | WATER SOFTNER |
| dd | DETERGENT DISPENSER |
| dp | DRAIN PUMP |

vsezip.ru

+7(812)987-08-81

01_028_e



vsezip.ru

| ID | P-code | SN from | SN to | Mod. | Acces. | Volt | Description |
|----------------------------------|------------|---------|-------|------|--------|------|------------------------------------------|
| Module:General body parts | | | | | | | |
| 30300 | 10600923 | | - | | | | Guide rail |
| 30305 | 11600001 | | - | | | | Rack frame |
| 30310 | 11600906 | | - | | | | Strainer plate with a strainer box |
| 30315 | 11600907 | | - | | | | Strainer plate |
| 30320 | 500616 | | - | | | | Suction filter |
| 30325 | 11600102 | | - | | | | Overflow pipe |
| 30330 | 13021 | | - | | | | DEM 40 O-ring |
| 30335 | 500615 | | - | | | | Ferrule with filter |
| 30340 | 11600018 | | - | | | | Basket support holder pin M6 |
| 30345 | 15116 | | - | | | | Foot |
| 30350 | 15065/A | | - | | | | Cable-fastener with screw |
| 30355 | 13324 | | - | | | | Cable screw cap |
| 30360 | 11600960 | | - | | | | Frame assembly |
| 30365 | 11600055 | | - | | | | Right/left slide bearing |
| 30375 | 13005 | | - | | | | O-ring 151 NBR |
| 30380 | 15047/A | | - | | | | 2,7/2,94KW 230/240V 3 heating element |
| 30385 | 11600630 | | - | | | | Back panel |
| 30390 | 70305 | | - | | | | Hood switch |
| 30395 | 11600620 | | - | | | | Right guide rail support |
| 30400 | 11600621 | | - | | | | Left guide rail support |
| 30405 | 500605 | | - | | | | Outlet connction |
| 30410 | 80208 | | - | | | | 95x75x3 O-ring |
| 30415 | 11600058 | | - | | | | Passage ring for the security cord |
| 30420 | 11600059 | | - | | | | Support for the security system assembly |
| 30425 | 10700 | | - | | | | Spring |
| 30435 | 11600057/A | | - | | | | Secury system cord |

i=INSULATED HOOD, e=ELECTRONICAL CONTROL

115U=115U

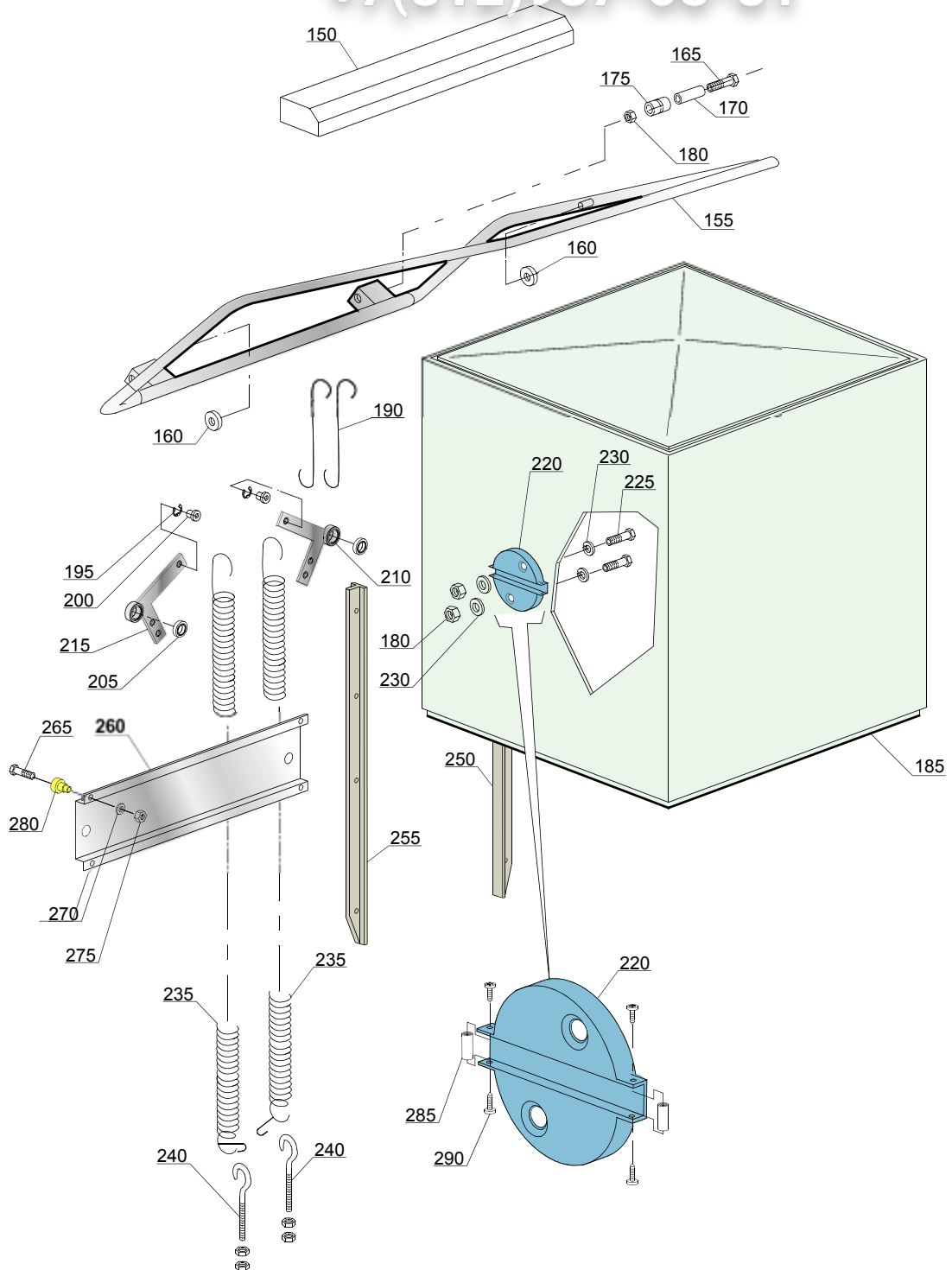
bp=BOOSTER PUMP, dvgw=DVGW, ws=WATER SOFTNER, dd=DETERGENT DISPENSER, dp=DRAIN PUMP

A=3/N/PE~380-400V 50-60Hz, D=3/PE~200-210V 50-60Hz, F=2/PE~220-240V 50-60Hz, G=3/N/PE~415V 50-60Hz,
 H=3/PE~220-230V 50-60Hz, K=3/PE~380-400V 50-60Hz, L=3/PE~415V 50-60Hz, M=3/PE~440V 60Hz, P=1/N/PE~220-
 230V 50-60Hz, R=2/PE~220-240V 50-60Hz, U=1/N/PE~240V 50-60Hz, V=3/PE~240V 50-60Hz, W=1/N/PE~100-110V
 50-60Hz

vsezip.ru

+7(812)987-08-81

02x202_e



| ID | P-code | SN from | SN to | Mod | Acces. | Volt | Description |
|--------------------------------|----------|---------|-------|-----|--------|------|-------------------------------------|
| Module: Closing panelig | | | | | | | |
| 150 | 11600913 | | - | | | | Guide |
| 155 | 11600910 | | - | | | | Handle |
| 160 | 89919 | | - | | | | Bearing |
| 165 | 11214 | | - | | | | Screw |
| 170 | 11600015 | | - | | | | Filter |
| 175 | 11600014 | | - | | | | Roller |
| 180 | 11718 | | - | | | | M8 stainless steel self-locking nut |
| 185 | 11600902 | | - | | | | Hood, complete |
| 190 | 11600013 | | - | | | | Hook |
| 195 | 11823 | | - | | | | Ø10 stainless steel snap ring |
| 200 | 11600038 | | - | | | | Spring bush |
| 205 | 10800010 | | - | | | | Bearing 6002 2RS |
| 210 | 11600026 | | - | | | | Elbow, right |
| 215 | 11600027 | | - | | | | Elbow, left |
| 220 | 11600030 | | - | | | | Bearing holder |
| 225 | 11110 | | - | | | | Screw |
| 230 | 13301 | | - | | | | Gasket Ø 14x8x1,5 |
| 235 | 70302 | | - | | | | Hood spring |
| 240 | 10800210 | | - | | | | Hook screw |
| 250 | 11600028 | | - | | | | Guide, right |
| 255 | 11600029 | | - | | | | Guide, left |
| 260 | 11600625 | | - | | | | Leavers bearing foor hood |
| 265 | 11134 | | - | | | | M10x35 TE Stainless steel screw |
| 270 | 11192 | | - | | | | M10 Stainless steel epring washer |
| 275 | 11719 | | - | | | | M10 inox nut |
| 280 | 10800115 | | - | | | | Lifting rod pin |
| 285 | 76251 | | - | | | | Spacer |
| 290 | 11121 | | - | | | | M4x10 TCB Inox screw |

i=INSULATED HOOD, e=ELECTRONICAL CONTROL

115U=115U

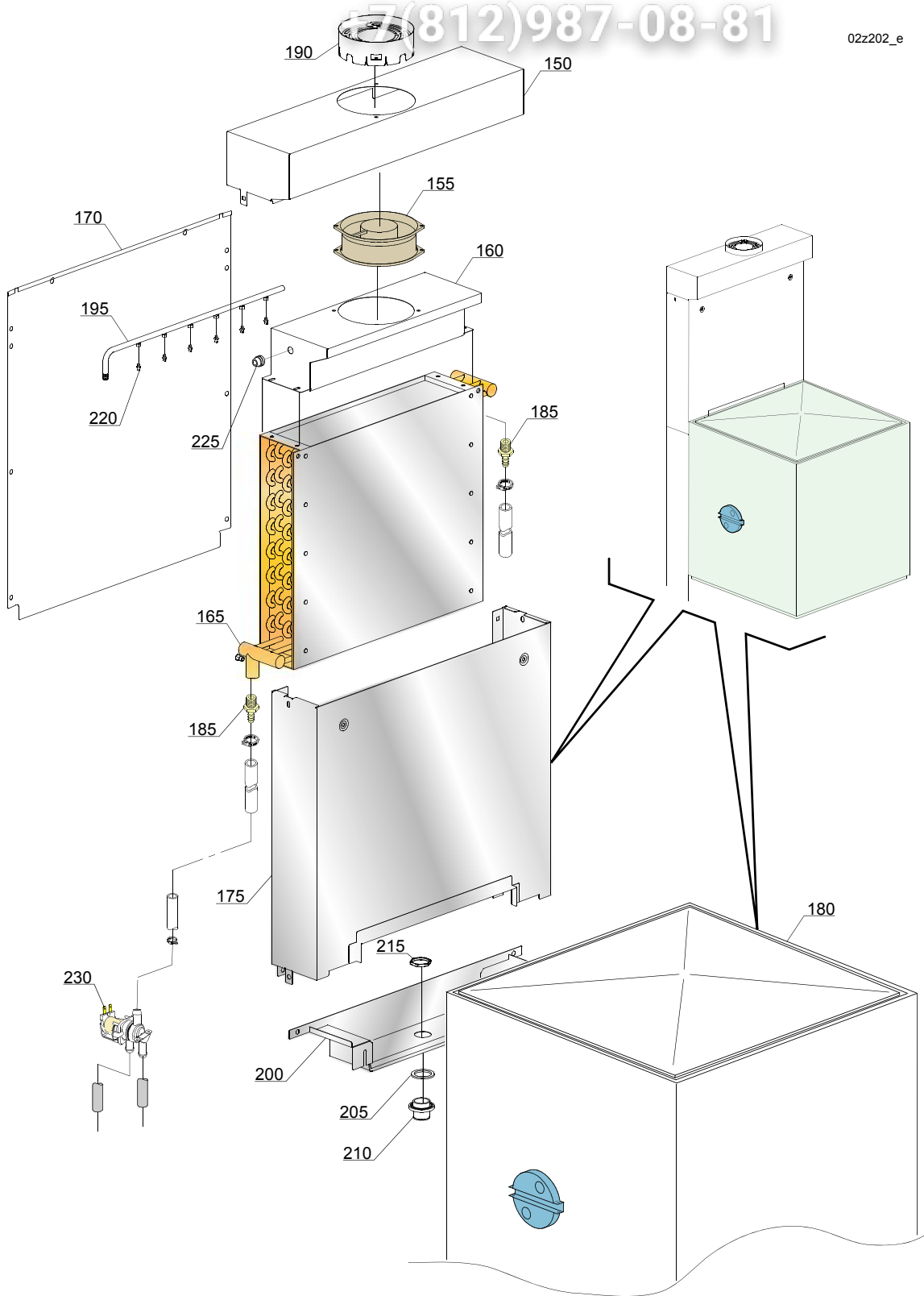
bp=BOOSTER PUMP, dvgw=DVGW, ws=WATER SOFTNER, dd=DETERGENT DISPENSER, dp=DRAIN PUMP

A=3/N/PE~380-400V 50-60Hz, D=3/PE~200-210V 50-60Hz, F=2/PE~220-240V 50-60Hz, G=3/N/PE~415V 50-60Hz, H=3/PE~220-230V 50-60Hz, K=3/PE~380-400V 50-60Hz, L=3/PE~415V 50-60Hz, M=3/PE~440V 60Hz, P=1/N/PE~220-230V 50-60Hz, R=2/PE~220-240V 50-60Hz, U=1/N/PE~240V 50-60Hz, V=3/PE~240V 50-60Hz, W=1/N/PE~100-110V 50-60Hz

vsezip.ru

+7(812)987-08-81

02z202_e



vsezip.ru

| ID | P-code | SN from | SN to | Mod. | Acces. | Volt | Description |
|-----------------------------|----------|---------|-------|------|--------|------|---------------------------------------|
| Module:Heat recovery | | | | | | | |
| 150 | 11600711 | | - | | | | Spoiler |
| 155 | 11600715 | | - | | | | Motor fan 230V 50-60 Hz |
| 160 | 11600709 | | - | | | | Fan support |
| 165 | 11600708 | | - | | | | Heat recovery battery |
| 170 | 11600713 | | - | | | | Upper back |
| 175 | 11600701 | | - | | | | Upper back carter |
| 180 | 11600962 | | - | | | | Hood |
| 185 | 12023 | | - | | | | Rubber-holder 1/2" |
| 190 | 11600717 | | - | | | | Upper chimney |
| 195 | 11600716 | | - | | | | Self-cleaning pipe for battery |
| 200 | 11600704 | | - | | | | Isolated hood trap |
| 205 | 13305 | | - | | | | O-ring 44x32x3 |
| 210 | 10701/B | | - | | | | Fitting exauster |
| 215 | 11701/A | | - | | | | Stainless steel nut for drain |
| 220 | 560018 | | - | | | | Stainless nozzles M5 |
| 225 | 13304 | | - | | | | Pipe gasket |
| 230 | 15213 | | - | | | | Soupape simple 1xNA 220-240V 50-60 Hz |

i=INSULATED HOOD, e=ELECTRONICAL CONTROL

115U=115U

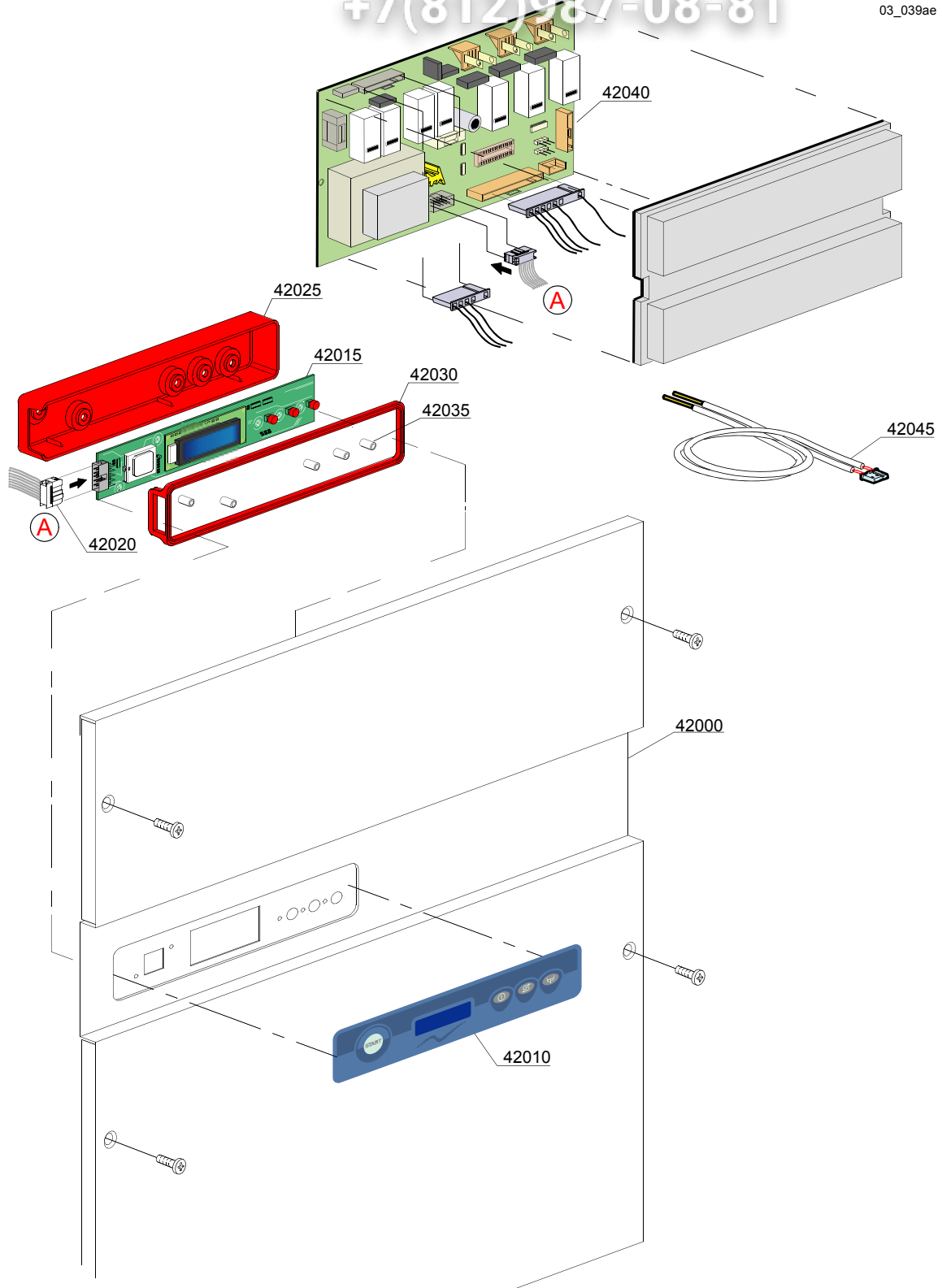
bp=BOOSTER PUMP, dvgw=DVGW, ws=WATER SOFTNER, dd=DETERGENT DISPENSER, dp=DRAIN PUMP

A=3/N/PE~380-400V 50-60Hz, D=3/PE~200-210V 50-60Hz, F=2/PE~220-240V 50-60Hz, G=3/N/PE~415V 50-60Hz,
H=3/PE~220-230V 50-60Hz, K=3/PE~380-400V 50-60Hz, L=3/PE~415V 50-60Hz, M=3/PE~440V 60Hz, P=1/N/PE~220-
230V 50-60Hz, R=2/PE~220-240V 50-60Hz, U=1/N/PE~240V 50-60Hz, V=3/PE~240V 50-60Hz, W=1/N/PE~100-110V
50-60Hz

vsezip.ru

+7(812)987-08-81

03_039ae



vsezip.ru

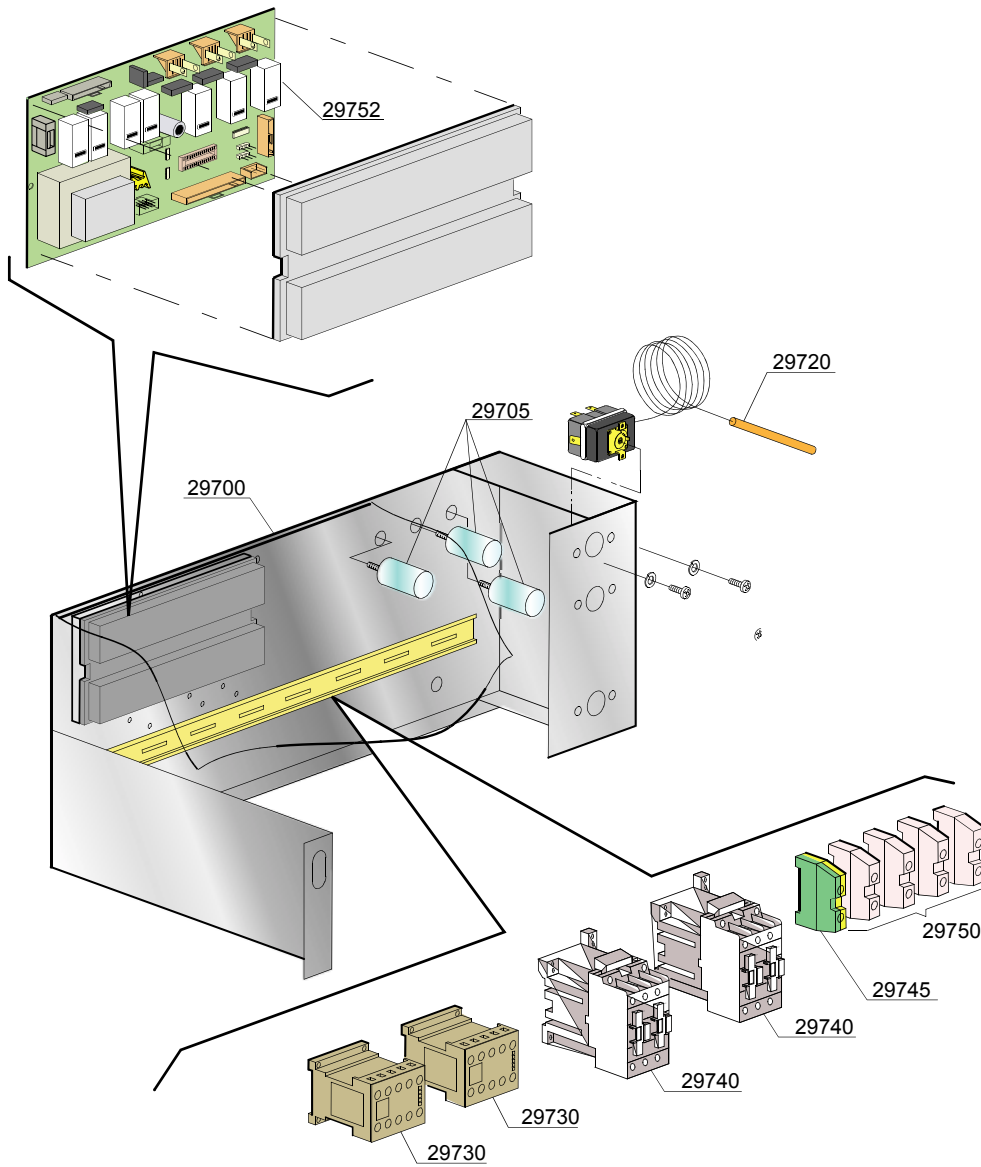
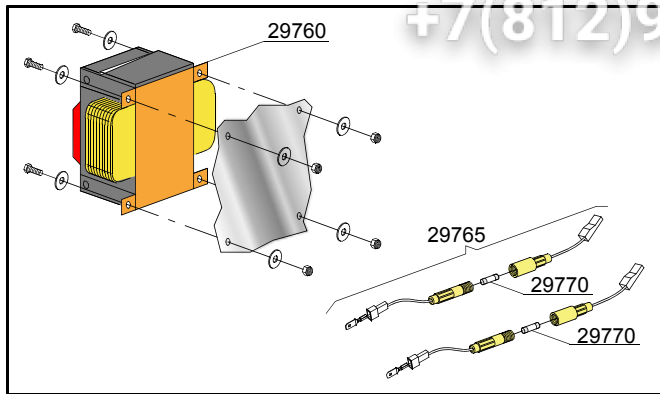
| ID | P-code | SN from | SN to | Mod. | Acces | Volt | Description |
|------------------------------------------|----------|---------|-------|------|-------|------|--------------------------------------------------------|
| Module:Control panel and switches | | | | | | | |
| 42000 | 11600926 | | - | e | | | Control panel |
| 42010 | 560048 | | - | e | | | Silkscreen processed grill membrane push button-driver |
| 42015 | 560051 | | - | e | | | "TOP" complet membrane push button-driver |
| 42020 | 50651 | | - | e | | | Plug |
| 42025 | 560051/A | | - | e | | | Protective cover for "TOP" board |
| 42030 | 560051/B | | - | e | | | Gaskets for protective cover |
| 42035 | 50561 | | - | e | | | Board spacer |
| 42040 | 11600927 | | - | e | | | "TOP" electronic timer |
| 42045 | 50562 | | - | e | | | Sensor |

i=INSULATED HOOD, e=ELECTRONICAL CONTROL

115U=115U

bp=BOOSTER PUMP, dvgw=DVGW, ws=WATER SOFTNER, dd=DETERGENT DISPENSER, dp=DRAIN PUMP

A=3/N/PE~380-400V 50-60Hz, D=3/PE~200-210V 50-60Hz, F=2/PE~220-240V 50-60Hz, G=3/N/PE~415V 50-60Hz,
H=3/PE~220-230V 50-60Hz, K=3/PE~380-400V 50-60Hz, L=3/PE~415V 50-60Hz, M=3/PE~440V 60Hz, P=1/N/PE~220-
230V 50-60Hz, R=2/PE~220-240V 50-60Hz, U=1/N/PE~240V 50-60Hz, V=3/PE~240V 50-60Hz, W=1/N/PE~100-110V
50-60Hz



vsezip.ru

| ID | P-code | SN from | SN to | Mod. | Acces. | Volt | Description |
|--------------------------------------------|----------|---------|-------|------|--------|------|------------------------------------------|
| Module: Electric control components | | | | | | | |
| 29700 | 11600955 | | - | e | | | Electric component panel |
| 29705 | 15149 | | - | e | | | Low noise filter |
| 29720 | 2000430 | | - | e | | | Overheat protector |
| 29730 | 15086 | | - | e | | | Contacteur TLV, TLB |
| 29730 | 15086/B | | - | e | | | Contacteur 240V 50Hz |
| 29740 | 10300050 | | - | e | | | Contacteur TLP |
| 29740 | 10300052 | | - | e | | | 36A/20A contacteur - 230V 50/60HZ |
| 29740 | 10300054 | | - | e | | | 25A/16A contacteur - 230V 50/60HZ |
| 29745 | 10300401 | | - | e | | | Connecting piece |
| 29750 | 10300403 | | - | e | | | Connecting piece |
| 29760 | 15381 | | - | e | | | 0-230 160/230/400/415/440 VA Transformer |
| 29765 | 15147 | | - | e | | | Fuse-holder |
| 29770 | 15163 | | - | e | | | Fuse |
| 29775 | 11600927 | | - | e | | | "TOP" electronic timer |

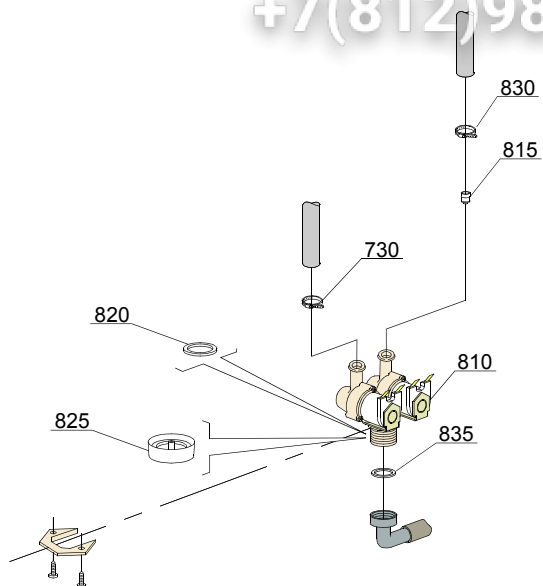
i=INSULATED HOOD, e=ELECTRONICAL CONTROL

115U=115U

bp=BOOSTER PUMP, dvgw=DVGW, ws=WATER SOFTNER, dd=DETERGENT DISPENSER, dp=DRAIN PUMP
 A=3/N/PE~380-400V 50-60Hz, D=3/PE~200-210V 50-60Hz, F=2/PE~220-240V 50-60Hz, G=3/N/PE~415V 50-60Hz,
 H=3/PE~220-230V 50-60Hz, K=3/PE~380-400V 50-60Hz, L=3/PE~415V 50-60Hz, M=3/PE~440V 60Hz, P=1/N/PE~220-
 230V 50-60Hz, R=2/PE~220-240V 50-60Hz, U=1/N/PE~240V 50-60Hz, V=3/PE~240V 50-60Hz, W=1/N/PE~100-110V
 50-60Hz

vsezip.ru

+7(812)987-08-81



05_003_€

vsezip.ru

| ID | P-code | SN from | SN to | Mod | Acces. | Volt | Description |
|------------------------------------|--------|---------|-------|-----|--------|------|-------------------------------|
| Module:Solenoid valve group | | | | | | | |
| 810 | 15098 | | - | i | ws | | Double solenoid valve - Ø10 |
| 815 | 15115 | | - | i | ws | | Green pression solenoid valve |
| 820 | N.C. | | - | i | ws | | Pression reducing valve |
| 825 | 15286 | | - | i | ws | | Pression reducing valve |

i=INSULATED HOOD, e=ELECTRONICAL CONTROL

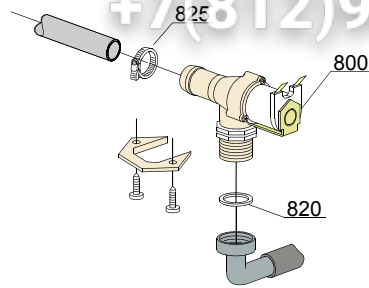
115U=115U

bp=BOOSTER PUMP, dvgw=DVGW, ws=WATER SOFTNER, dd=DETERGENT DISPENSER, dp=DRAIN PUMP

A=3/N/PE~380-400V 50-60Hz, D=3/PE~200-210V 50-60Hz, F=2/PE~220-240V 50-60Hz, G=3/N/PE~415V 50-60Hz, H=3/PE~220-230V 50-60Hz, K=3/PE~380-400V 50-60Hz, L=3/PE~415V 50-60Hz, M=3/PE~440V 60Hz, P=1/N/PE~220-230V 50-60Hz, R=2/PE~220-240V 50-60Hz, U=1/N/PE~240V 50-60Hz, V=3/PE~240V 50-60Hz, W=1/N/PE~100-110V 50-60Hz

vsezip.ru

+7(812)987-08-81



05_005_e

vsezip.ru

| ID | P-code | SN from | SN to | Mod | Acces. | Volt | Description |
|------------------------------------|----------|---------|-------|-----|--------|------|-------------------------|
| Module:Solenoid valve group | | | | | | | |
| 800 | 30001000 | | - | i | | | Solenoid valve |
| 820 | N.C. | | - | i | | | Pression reducing valve |

i=INSULATED HOOD, e=ELECTRONICAL CONTROL

115U=115U

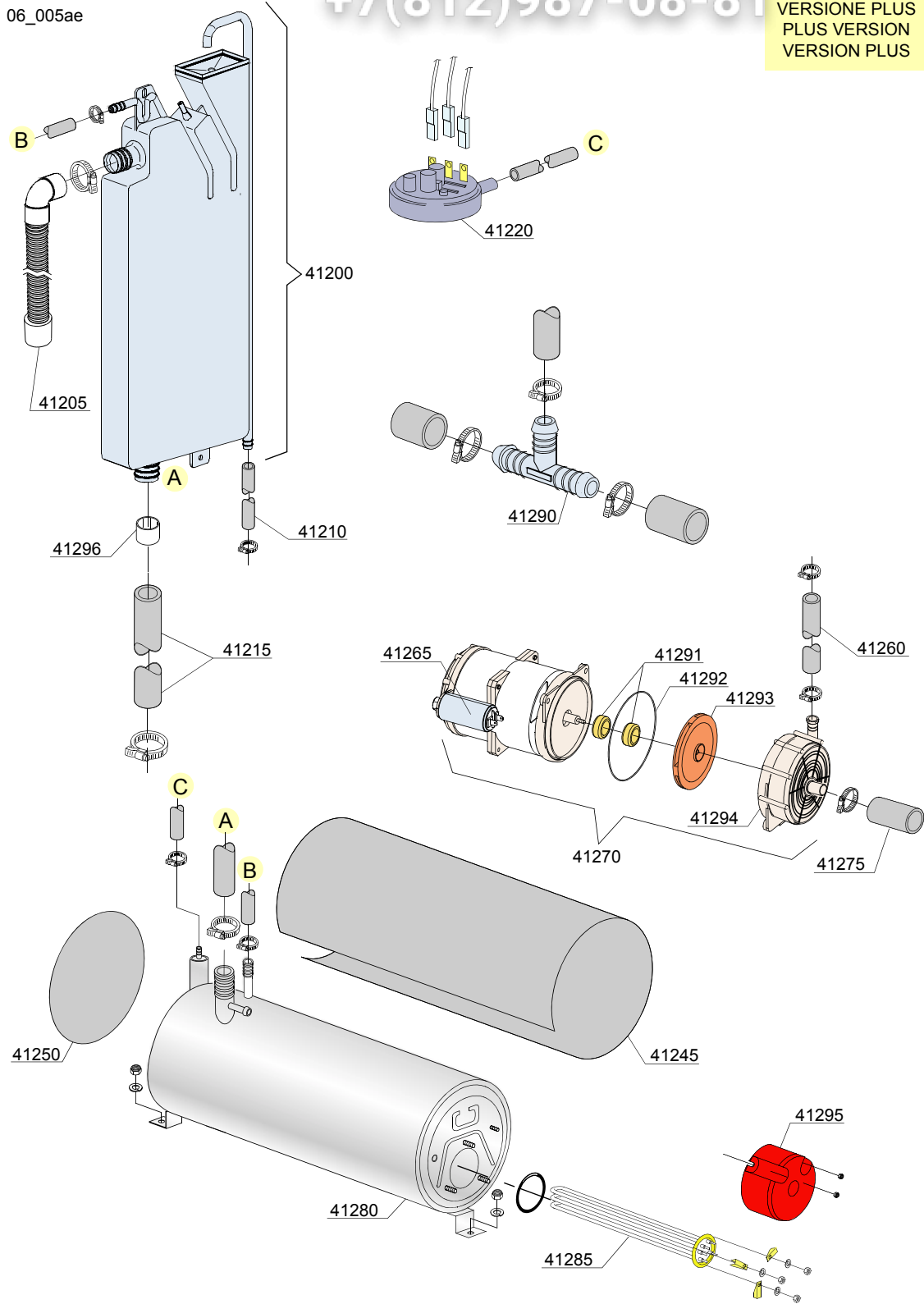
bp=BOOSTER PUMP, dvgw=DVGW, ws=WATER SOFTNER, dd=DETERGENT DISPENSER, dp=DRAIN PUMP

A=3/N/PE~380-400V 50-60Hz, D=3/PE~200-210V 50-60Hz, F=2/PE~220-240V 50-60Hz, G=3/N/PE~415V 50-60Hz, H=3/PE~220-230V 50-60Hz, K=3/PE~380-400V 50-60Hz, L=3/PE~415V 50-60Hz, M=3/PE~440V 60Hz, P=1/N/PE~220-230V 50-60Hz, R=2/PE~220-240V 50-60Hz, U=1/N/PE~240V 50-60Hz, V=3/PE~240V 50-60Hz, W=1/N/PE~100-110V 50-60Hz

vsezip.ru

+7(812)987-08-81

VERSIONE PLUS
PLUS VERSION
VERSION PLUS



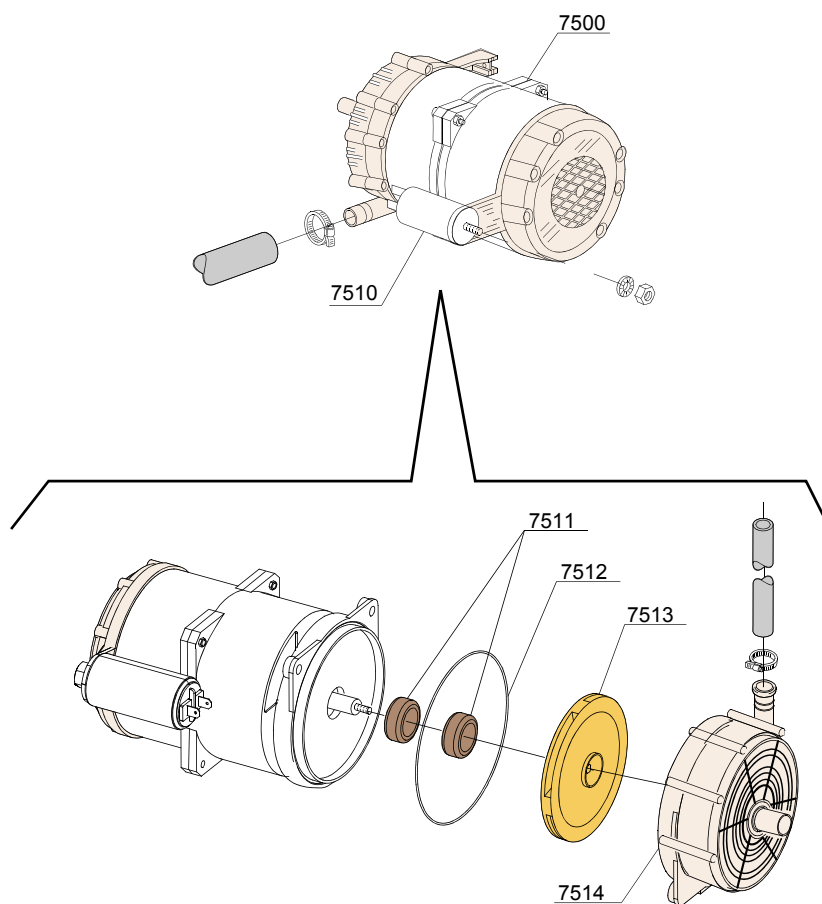
| ID | P-code | SN from | SN to | Mod | Acces. | Volt | Description |
|----------------------------------------------|------------|---------|-------|-----|--------|------|-----------------------------------------------|
| Module: Rinse with steady temperature | | | | | | | |
| 41200 | 15720 | | - | e,i | | | Break tank assembly |
| 41205 | 15721 | | - | e,i | | | BT long pipe L=1070 |
| 41210 | 2907352 | | - | e,i | | | PVC WRAS rubber hose |
| 41215 | x | | - | e,i | | | Pipe coupling |
| 41220 | 10706/A | | - | e,i | | | 47-27 pressure switch |
| 41245 | 30002030 | | - | e,i | | | Insulation boiler |
| 41250 | 75205 | | - | e,i | | | Ø160 end piece |
| 41260 | 10718 | | - | e,i | | | Pump pipe coupling |
| 41265 | 10702 | | - | e,i | | | 5 uF condenser |
| 41270 | 15100/DO | | - | e,i | | | Booster pump 220/240V - body pumps in plastic |
| 41275 | 10718 | | - | e,i | | | Pump pipe coupling |
| 41280 | 11600104 | | - | e,i | | | Boiler |
| 41285 | 30001011 | | - | e,i | | | Element 9 kW |
| 41285 | 30001011/A | | - | e,i | | | Element 12 kW |
| 41285 | 30001010 | | - | e,i | | | Element 6 kW |
| 41290 | 540098 | | - | e,i | | | 3 ways D25 |
| 41291 | 15100/S | | - | e,i | | | Rotating seals |
| 41292 | 15100/T | | - | e,i | | | OR (O-ring) gasket EPDM |
| 41293 | 15100/U | | - | e,i | | | Pump rotor |
| 41294 | 15100/V | | - | e,i | | | Scroll |
| 41295 | 75311 | | - | e,i | | | Heating element cover |
| 41296 | 12533 | | - | e,i | | | Reinforce for pipe in exit (break rank) |

i=INSULATED HOOD, e=ELECTRONICAL CONTROL

115U=115U

bp=BOOSTER PUMP, dvgw=DVGW, ws=WATER SOFTNER, dd=DETERGENT DISPENSER, dp=DRAIN PUMP

A=3/N/PE~380-400V 50-60Hz, D=3/PE~200-210V 50-60Hz, F=2/PE~220-240V 50-60Hz, G=3/N/PE~415V 50-60Hz, H=3/PE~220-230V 50-60Hz, K=3/PE~380-400V 50-60Hz, L=3/PE~415V 50-60Hz, M=3/PE~440V 60Hz, P=1/N/PE~220-230V 50-60Hz, R=2/PE~220-240V 50-60Hz, U=1/N/PE~240V 50-60Hz, V=3/PE~240V 50-60Hz, W=1/N/PE~100-110V 50-60Hz



VERSIONE BREAK TANK / VERSIONE PLUS
BREAK TANK VERSION / SYSTEM PLUS VERSION
VERSION BREAK TANK / VERSION SYSTEME PLUS

vsezip.ru

| ID | P-code | SN from | SN to | Mod | Acces. | Volt | Description |
|----------------------------|----------|---------|-------|-----|--------|------|-----------------------------------------------|
| Module:Booster pump | | | | | | | |
| 7500 | 15100/DO | | - | e,i | bp | | Booster pump 220/240V - body pumps in plastic |
| 7510 | 10702 | | - | e,i | bp | | 5 uF condenser - 450V |
| 7511 | 15100/S | | - | e,i | bp | | Rotating seals |
| 7512 | 15100/T | | - | e,i | bp | | OR (O-ring) gasket EPDM |
| 7513 | 15100/U | | - | e,i | bp | | Pump rotor |
| 7514 | 15100/V | | - | e,i | bp | | Scroll |

i=INSULATED HOOD, e=ELECTRONICAL CONTROL

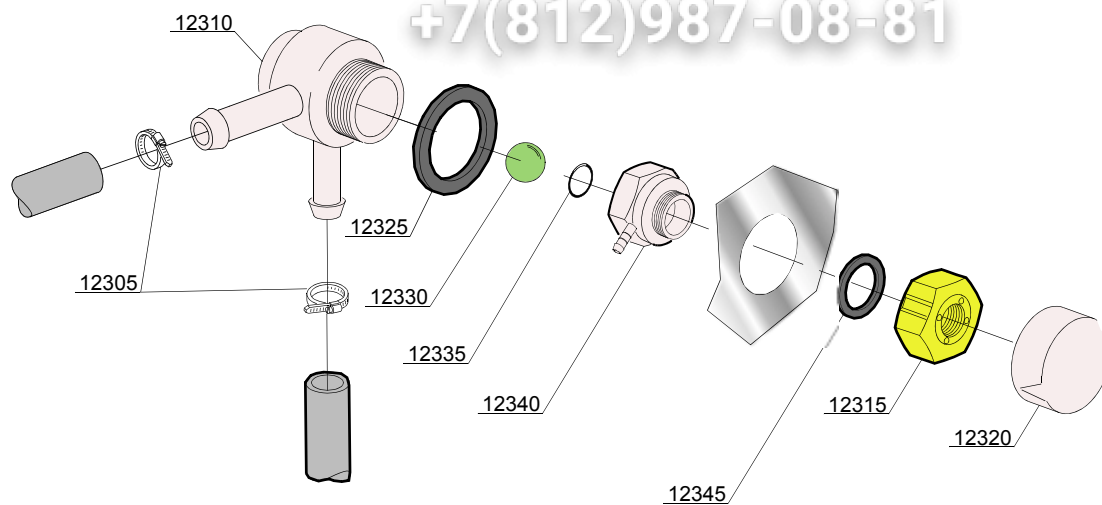
115U=115U

bp=BOOSTER PUMP, dvgw=DVGW, ws=WATER SOFTNER, dd=DETERGENT DISPENSER, dp=DRAIN PUMP

A=3/N/PE~380-400V 50-60Hz, D=3/PE~200-210V 50-60Hz, F=2/PE~220-240V 50-60Hz, G=3/N/PE~415V 50-60Hz, H=3/PE~220-230V 50-60Hz, K=3/PE~380-400V 50-60Hz, L=3/PE~415V 50-60Hz, M=3/PE~440V 60Hz, P=1/N/PE~220-230V 50-60Hz, R=2/PE~220-240V 50-60Hz, U=1/N/PE~240V 50-60Hz, V=3/PE~240V 50-60Hz, W=1/N/PE~100-110V 50-60Hz

vsezip.ru

+7(812)987-08-81



08_005ye

vsezip.ru

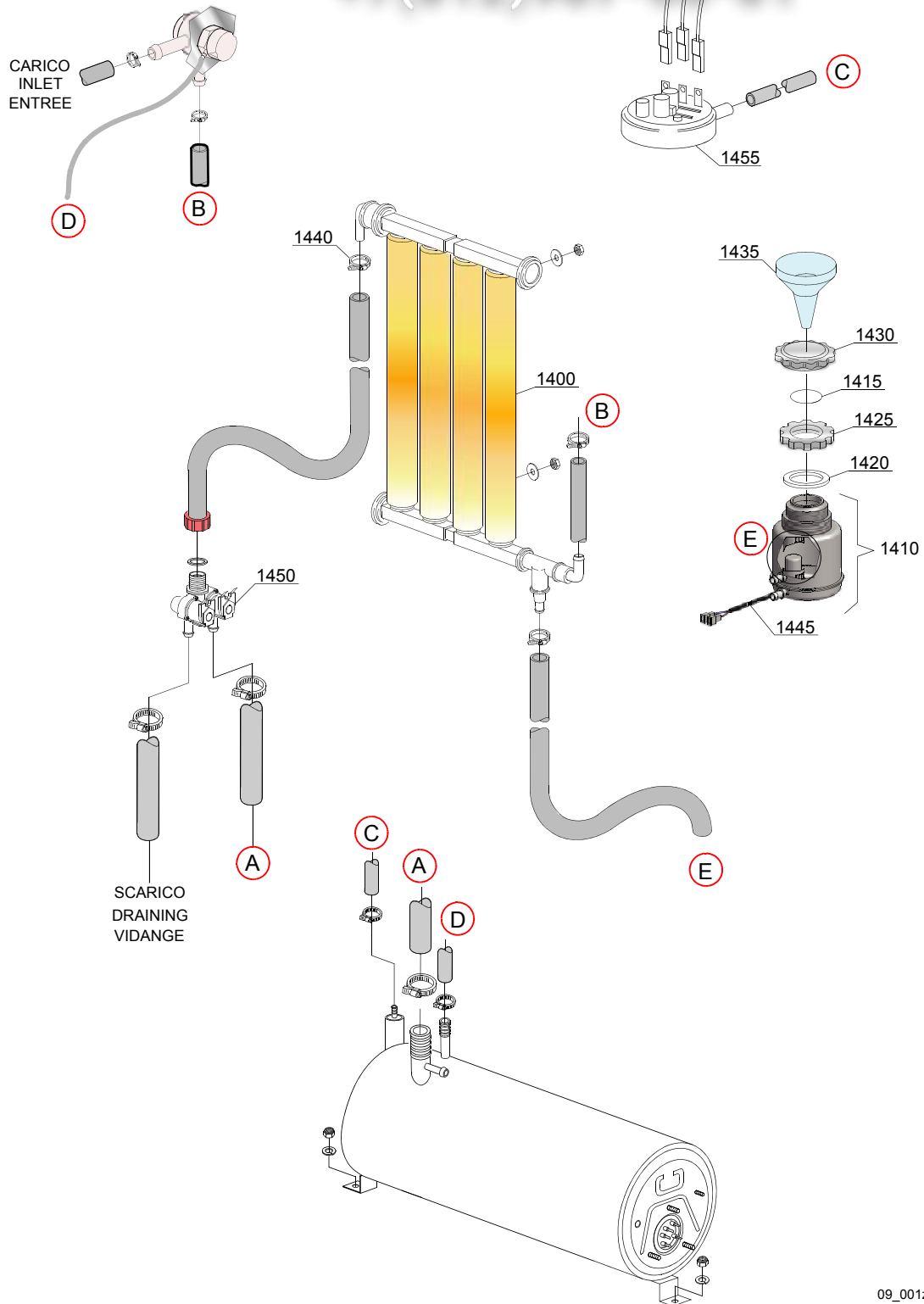
| ID | P-code | SN from | SN to | Mod | Acces. | Volt | Description |
|--------------------------|--------|---------|-------|-----|--------|------|-------------------------------------|
| Module:DVGW valve | | | | | | | |
| 12305 | 11807 | | - | | dvgw | | Clamp aisi430 12/22 |
| 12310 | 15286 | | - | | dvgw | | Valve body center |
| 12315 | 15281 | | - | | dvgw | | Flat valve |
| 12320 | 15282 | | - | | dvgw | | Flat valve cover |
| 12325 | 15283 | | - | | dvgw | | Valve gasket |
| 12330 | 15284 | | - | | dvgw | | Sphere |
| 12335 | 15285 | | - | | dvgw | | O-ring 115 KTW |
| 12340 | 15287 | | - | | dvgw | | Extension to the DVGW-valve exhaust |
| 12345 | 15283 | | - | | dvgw | | O-ring |

i=INSULATED HOOD, e=ELECTRONICAL CONTROL

115U=115U

bp=BOOSTER PUMP, dvgw=DVGW, ws=WATER SOFTNER, dd=DETERGENT DISPENSER, dp=DRAIN PUMP

A=3/N/PE~380-400V 50-60Hz, D=3/PE~200-210V 50-60Hz, F=2/PE~220-240V 50-60Hz, G=3/N/PE~415V 50-60Hz,
 H=3/PE~220-230V 50-60Hz, K=3/PE~380-400V 50-60Hz, L=3/PE~415V 50-60Hz, M=3/PE~440V 60Hz, P=1/N/PE~220-
 230V 50-60Hz, R=2/PE~220-240V 50-60Hz, U=1/N/PE~240V 50-60Hz, V=3/PE~240V 50-60Hz, W=1/N/PE~100-110V
 50-60Hz



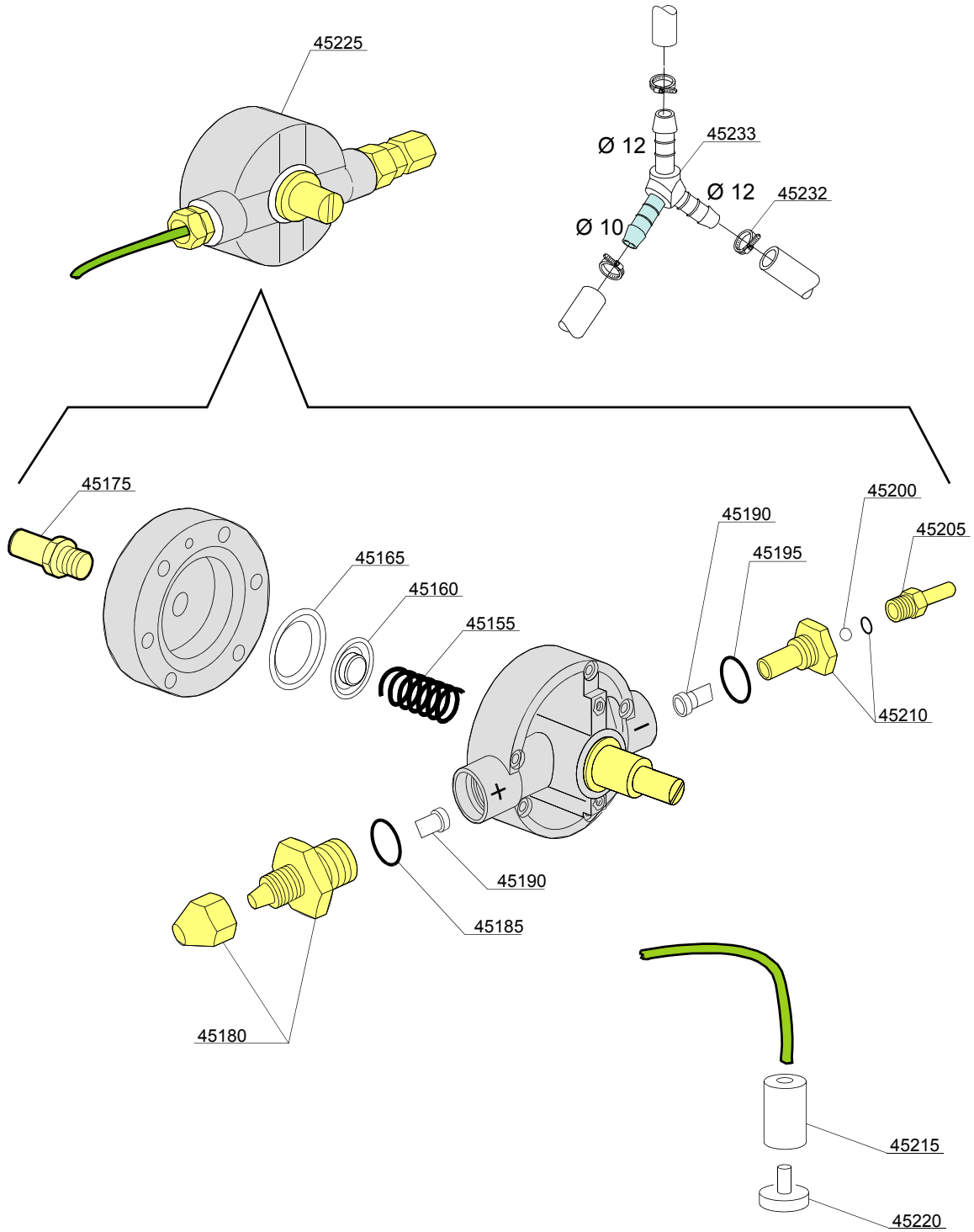
| ID | P-code | SN from | SN to | Mod | Acces. | Volt | Description |
|------------------------------------|---------|---------|-------|-----|--------|------|--------------------------------------------------|
| Module: Water softner group | | | | | | | |
| 1400 | 16066 | | - | e | ws | | 4 elements water softner |
| 1410 | 16072 | | - | e | ws | | Salt container |
| 1415 | 16067/A | | - | e | ws | | OR O-ring |
| 1420 | 16067/B | | - | e | ws | | O-ring |
| 1425 | 16067/C | | - | e | ws | | Ring nut |
| 1430 | 16067/D | | - | e | ws | | Plug |
| 1435 | 16082 | | - | e | ws | | Funnel |
| 1440 | 11807 | | - | e | ws | | 12/22 clamp (minimum 3 pieces) |
| 1445 | 16072/A | | - | e | ws | | Sensor |
| 1450 | 15214 | | - | e | ws | | Solenoid valve 3/4 1xNA / 1xNO 220-240V 50-60 Hz |
| 1455 | 10706/A | | - | e | ws | | 47-27 pressure switch |

i=INSULATED HOOD, e=ELECTRONICAL CONTROL

115U=115U

bp=BOOSTER PUMP, dvgw=DVGW, ws=WATER SOFTNER, dd=DETERGENT DISPENSER, dp=DRAIN PUMP

A=3/N/PE~380-400V 50-60Hz, D=3/PE~200-210V 50-60Hz, F=2/PE~220-240V 50-60Hz, G=3/N/PE~415V 50-60Hz, H=3/PE~220-230V 50-60Hz, K=3/PE~380-400V 50-60Hz, L=3/PE~415V 50-60Hz, M=3/PE~440V 60Hz, P=1/N/PE~220-230V 50-60Hz, R=2/PE~220-240V 50-60Hz, U=1/N/PE~240V 50-60Hz, V=3/PE~240V 50-60Hz, W=1/N/PE~100-110V 50-60Hz



| ID | P-code | SN from | SN to | Mod | Acces. | Volt | Description |
|------------------------------------------|---------|---------|-------|-----|--------|------|----------------------------------------|
| Module: Rinse aid dispenser group | | | | | | | |
| 45155 | 10705/M | | - | e | | | Spring |
| 45160 | 10705/N | | - | e | | | Disc to membrane |
| 45165 | 10705/O | | - | e | | | Membrane |
| 45175 | 12506 | | - | e | | | Rubber-holder Ø 10mm |
| 45180 | 10705/G | | - | e | | | Pipe fitting |
| 45185 | 10705/C | | - | e | | | OR-gasket |
| 45190 | 10705/D | | - | e | | | Silicone valve |
| 45195 | 10705/C | | - | e | | | OR-gasket |
| 45200 | 10705/T | | - | e | | | Sphere made of Teflon |
| 45205 | 10705/R | | - | e | | | Brass pipe fitting |
| 45210 | 10705/E | | - | e | | | OR-gasket Guide valve |
| 45215 | 12525 | | - | e | | | Ballast |
| 45220 | 15058 | | - | e | | | Small filter (minimum 3 pieces) |
| 45225 | 10799/G | | - | e | | | GERMAC rinse aid dispenser |
| 45232 | 11807 | | - | e | | | Clamp 12/22 (min. 3 pz) |
| 45233 | 540104 | | - | e | | | Plastic 3 ways connection Ø 12-12-10mm |

i=INSULATED HOOD, e=ELECTRONICAL CONTROL

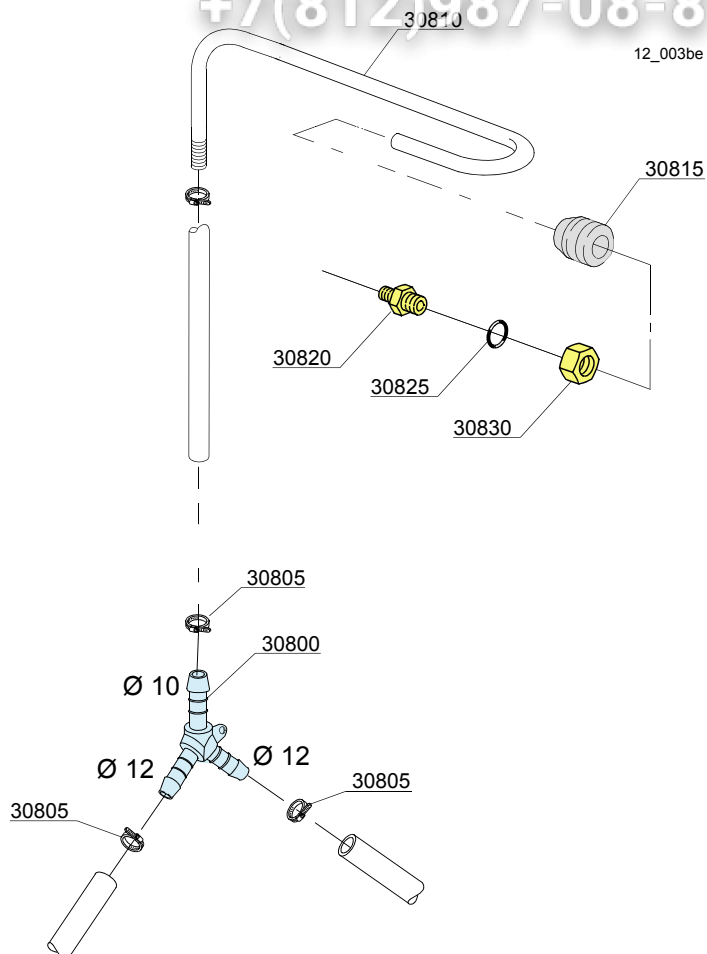
115U=115U

bp=BOOSTER PUMP, dvgw=DVGW, ws=WATER SOFTNER, dd=DETERGENT DISPENSER, dp=DRAIN PUMP

A=3/N/PE~380-400V 50-60Hz, D=3/PE~200-210V 50-60Hz, F=2/PE~220-240V 50-60Hz, G=3/N/PE~415V 50-60Hz, H=3/PE~220-230V 50-60Hz, K=3/PE~380-400V 50-60Hz, L=3/PE~415V 50-60Hz, M=3/PE~440V 60Hz, P=1/N/PE~220-230V 50-60Hz, R=2/PE~220-240V 50-60Hz, U=1/N/PE~240V 50-60Hz, V=3/PE~240V 50-60Hz, W=1/N/PE~100-110V 50-60Hz

vsezip.ru

+7(812)987-08-81



vsezip.ru

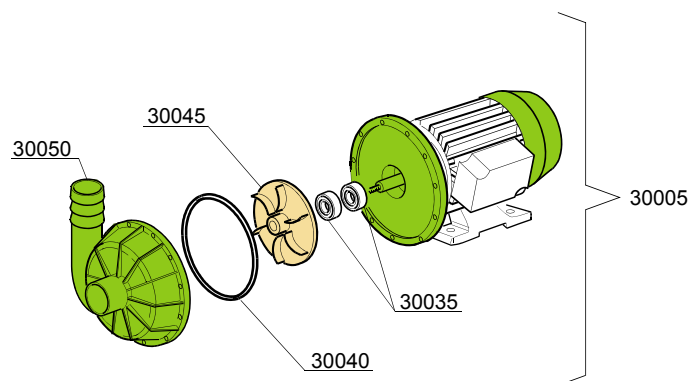
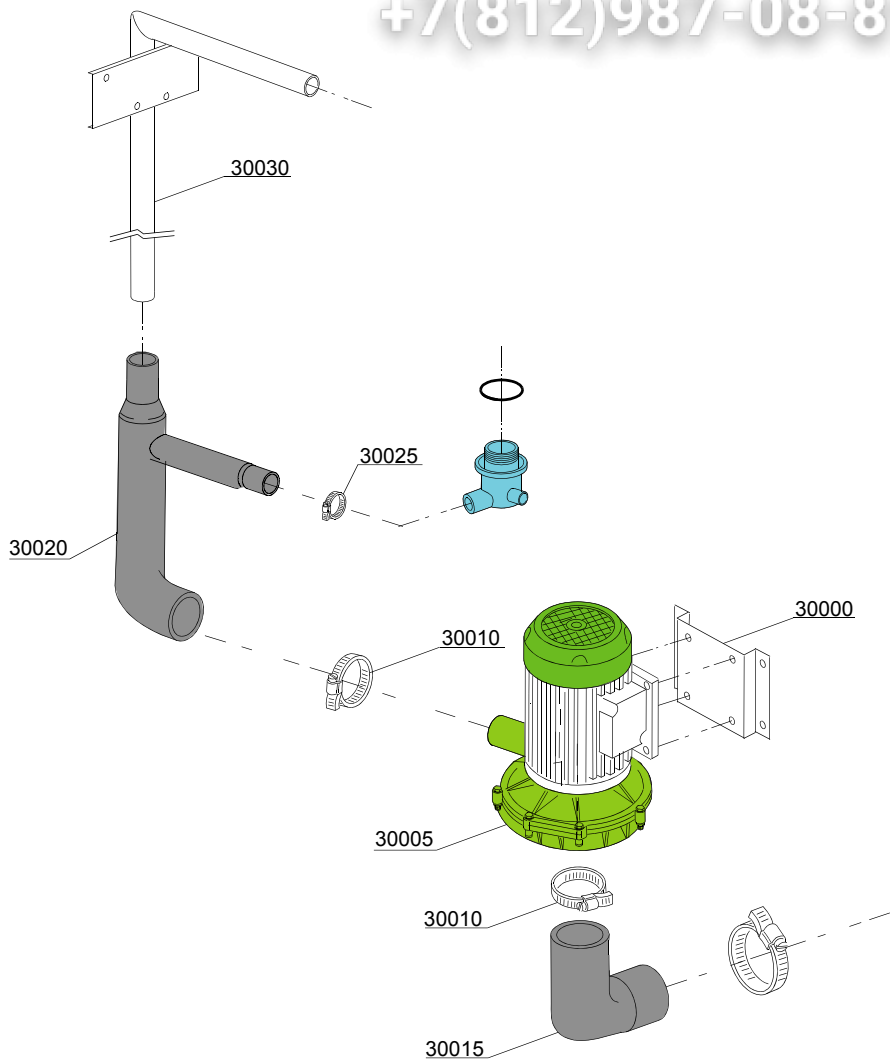
| ID | P-code | SN from | SN to | Mod | Acces. | Volt | Description |
|---------------------------------|---------|---------|-------|-----|--------|------|-------------------------------------------|
| Module:3 ways connection | | | | | | | |
| 30800 | 540104 | | - | i | | | Ø10-12-12 mm plastic 3 ways connection |
| 30805 | 11807 | | - | i | | | Clamp |
| 30810 | 76082 | | - | i | | | Rinse pipe |
| 30815 | 13304 | | - | i | | | Pipe |
| 30820 | 12006 | | - | i | | | Ø10 rinse pipe fitting |
| 30825 | 13003 | | - | i | | | OR 112 NBR O-ring |
| 30830 | 12006/A | | - | i | | | Ø10 pipe fitting 3/8x3,5 nut 19 hexagonal |

i=INSULATED HOOD, e=ELECTRONICAL CONTROL

115U=115U

bp=BOOSTER PUMP, dvgw=DVGW, ws=WATER SOFTNER, dd=DETERGENT DISPENSER, dp=DRAIN PUMP

A=3/N/PE~380-400V 50-60Hz, D=3/PE~200-210V 50-60Hz, F=2/PE~220-240V 50-60Hz, G=3/N/PE~415V 50-60Hz, H=3/PE~220-230V 50-60Hz, K=3/PE~380-400V 50-60Hz, L=3/PE~415V 50-60Hz, M=3/PE~440V 60Hz, P=1/N/PE~220-230V 50-60Hz, R=2/PE~220-240V 50-60Hz, U=1/N/PE~240V 50-60Hz, V=3/PE~240V 50-60Hz, W=1/N/PE~100-110V 50-60Hz



| ID | P-code | SN from | SN to | Mod. | Acces. | Volt | Description |
|--------------------------------|----------|---------|-------|------|--------|------|-------------------------------|
| Module: Wash pump group | | | | | | | |
| 30000 | 11600623 | | - | e | | | Pump base |
| 30005 | 22037 | | - | e | | | 2Hp pump 230/380/415 3Fh 50Hz |
| 30005 | 22009/C | | - | e | | | pump 1,5 Hp/1,1kW 230V 50Hz |
| 30010 | 11824 | | - | e | | | 50/70 Clamp |
| 30015 | 11600100 | | - | e | | | Suction pipe coupling |
| 30020 | 11600101 | | - | e | | | Pressure rubber hose |
| 30025 | 11809 | | - | e | | | 30/45 Clamp |
| 30030 | 11600103 | | - | e | | | Wash ramp |
| 30035 | 15080 | | - | e | | | Rotating seals |
| 30040 | 10200290 | | - | e | | | OR 1225 O-ring |
| 30045 | 22045 | | - | e | | | Pump rotor (pump 2Hp) |
| 30050 | 10200222 | | - | e | | | Scroll |

i=INSULATED HOOD, e=ELECTRONICAL CONTROL

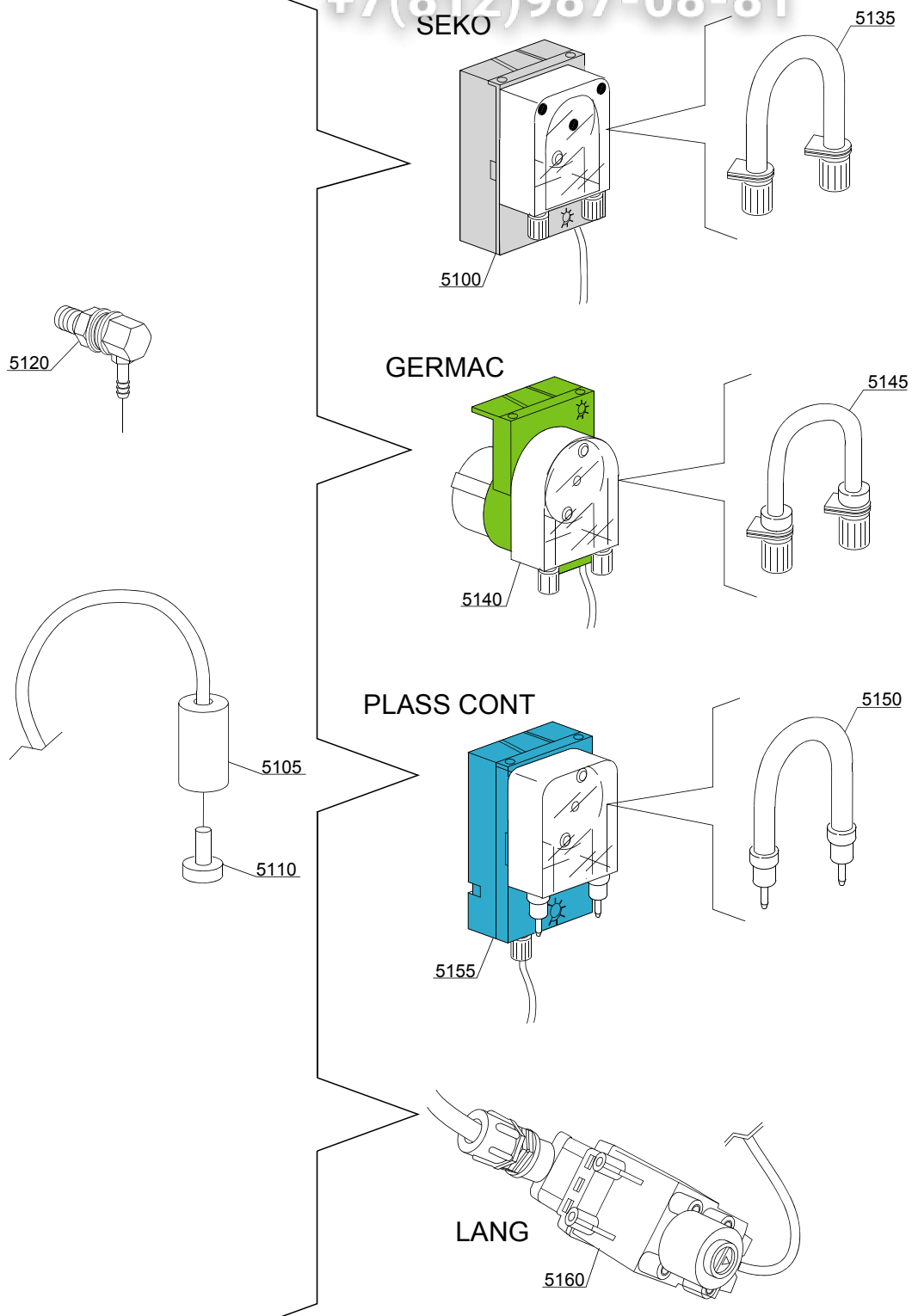
115U=115U

bp=BOOSTER PUMP, dvgw=DVGW, ws=WATER SOFTNER, dd=DETERGENT DISPENSER, dp=DRAIN PUMP

A=3/N/PE~380-400V 50-60Hz, D=3/PE~200-210V 50-60Hz, F=2/PE~220-240V 50-60Hz, G=3/N/PE~415V 50-60Hz, H=3/PE~220-230V 50-60Hz, K=3/PE~380-400V 50-60Hz, L=3/PE~415V 50-60Hz, M=3/PE~440V 60Hz, P=1/N/PE~220-230V 50-60Hz, R=2/PE~220-240V 50-60Hz, U=1/N/PE~240V 50-60Hz, V=3/PE~240V 50-60Hz, W=1/N/PE~100-110V 50-60Hz

vsezip.ru

+7(812)987-08-81



14_004_e

| ID | P-code | SN from | SN to | Mod | Acces. | Volt | Description |
|--------------------------------------|----------|---------|-------|-----|--------|------|-----------------------------------|
| Module:Dosing detergent group | | | | | | | |
| 5100 | 15985 | | - | i | dd | | Seko detergent pump |
| 5105 | 12525 | | - | i | dd | | Counter-weight |
| 5110 | 15058 | | - | i | dd | | Small filter |
| 5120 | 15123 | | - | i | dd | | Complet Steel injector |
| 5125 | 15159 | | - | i | dd | | OR O-ring |
| 5130 | 10200205 | | - | i | dd | | M12x1 stainless steel nut |
| 5135 | 15185 | | - | i | dd | | Seko thermoplastic pipe Ø 10 |
| 5140 | 15985 | | - | i | dd | | Germac detergent pump |
| 5145 | 15108/E | | - | i | dd | | Germac thermoplastic pipe Ø 8 |
| 5150 | 15985/A | | - | i | dd | | Ø 10 PLAS CONT thermoplastic pipe |
| 5155 | 15985 | | - | i | dd | | PLAS CONT detergent pump |
| 5160 | 15108/L | | - | i | dd | | LANG detergent pump |

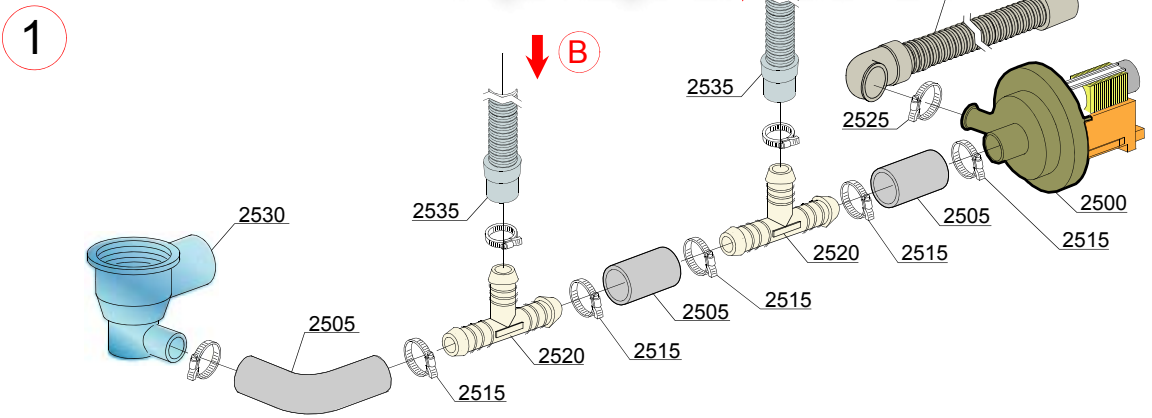
i=INSULATED HOOD, e=ELECTRONICAL CONTROL

115U=115U

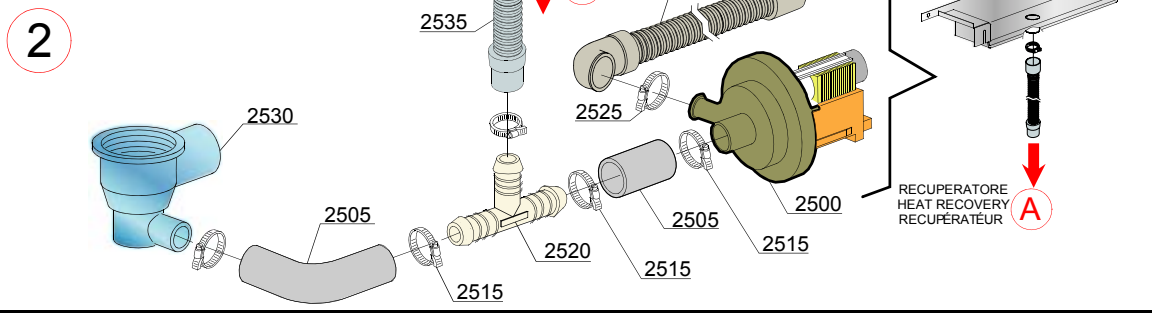
bp=BOOSTER PUMP, dvgw=DVGW, ws=WATER SOFTNER, dd=DETERGENT DISPENSER, dp=DRAIN PUMP

A=3/N/PE~380-400V 50-60Hz, D=3/PE~200-210V 50-60Hz, F=2/PE~220-240V 50-60Hz, G=3/N/PE~415V 50-60Hz, H=3/PE~220-230V 50-60Hz, K=3/PE~380-400V 50-60Hz, L=3/PE~415V 50-60Hz, M=3/PE~440V 60Hz, P=1/N/PE~220-230V 50-60Hz, R=2/PE~220-240V 50-60Hz, U=1/N/PE~240V 50-60Hz, V=3/PE~240V 50-60Hz, W=1/N/PE~100-110V 50-60Hz

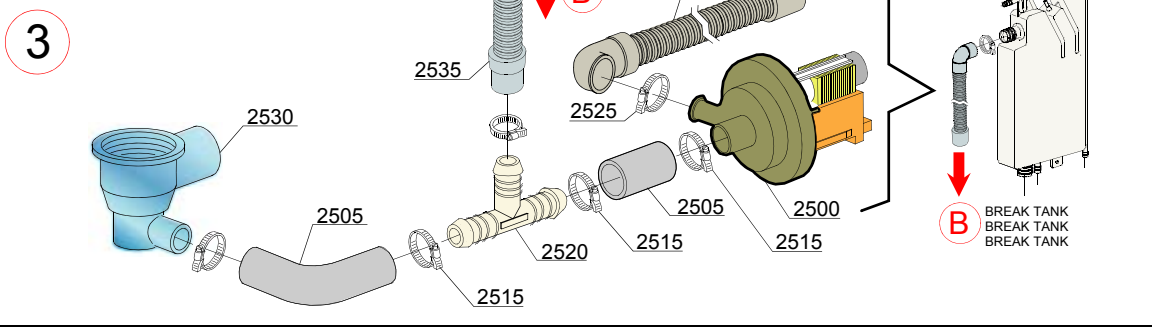
VERSIONE STANDARD (PLUS)+RECUPERATORE+POMPA SCARICO
STANDARD MACHINE (PLUS)+HEAT RECOVERY+DRAIN PUMP
MACHINE STANDARD (PLUS)+RECUPERATEUR+POMPE DE VIDANGE



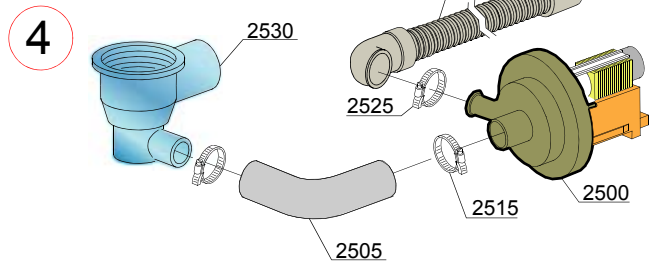
VERSIONE DEPURATA+RECUPERATORE+POMPA SCARICO
WATER SOFTNER MACHINE+HEAT RECOVERY+DRAIN PUMP
MACHINE AVEC ADOUCISSEUR+RECUPERATEUR+POMPE DE VIDANGE



VERSIONE STANDARD (PLUS)+POMPA SCARICO
STANDARD MACHINE (PLUS)+DRAIN PUMP
MACHINE STANDARD (PLUS)+POMPE DE VIDANGE



VERSIONE DEPURATA+POMPA SCARICO
WATER SOFTNER+DRAIN PUMP MODEL
MACHINE AVEC RECUPERATEUR+POMPE DE VIDANGE



vsezip.ru

| ID | P-code | SN from | SN to | Mod. | Acces. | Volt | Description |
|---------------------------------|---------|---------|-------|------|--------|------|--------------------------------------|
| Module: Drain pump group | | | | | | | |
| 2500 | 15101 | | - | | dp | | Drain pump 220/240V 50Hz |
| 2500 | 15101/B | | - | | dp | | Drain pump 220/240V 60Hz |
| 2505 | 18044 | | - | | dp | | Preformed coupling |
| 2510 | 25031 | | - | | dp | | Drain pipe |
| 2515 | 11806 | | - | | dp | | 25/40 clamp |
| 2520 | 540098 | | - | | dp | | 3 ways Ø 25 |
| 2525 | 11806 | | - | | dp | | 25/40 clamp |
| 2530 | 500606 | | - | | dp | | Outlet connection (drain pump kit) |
| 2535 | 10727 | | - | | dp | | Straight drain pipe |

i=INSULATED HOOD, e=ELECTRONICAL CONTROL

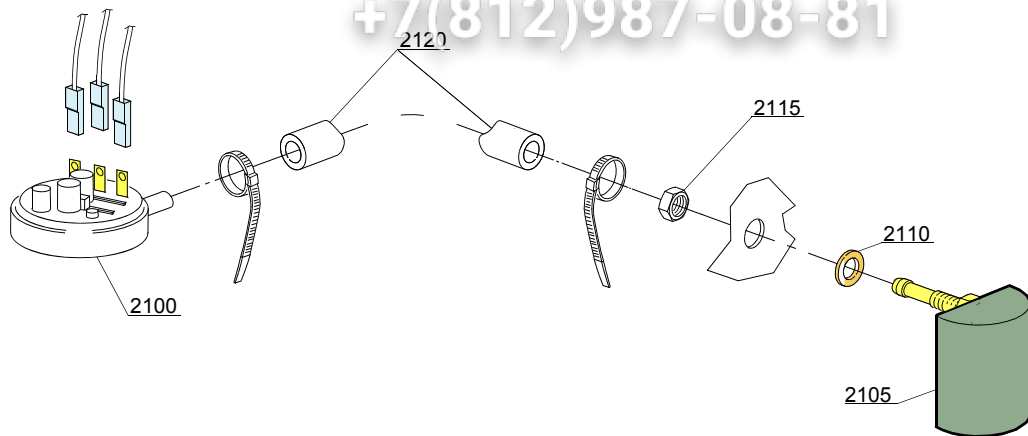
115U=115U

bp=BOOSTER PUMP, dvgw=DVGW, ws=WATER SOFTNER, dd=DETERGENT DISPENSER, dp=DRAIN PUMP

A=3/N/PE~380-400V 50-60Hz, D=3/PE~200-210V 50-60Hz, F=2/PE~220-240V 50-60Hz, G=3/N/PE~415V 50-60Hz, H=3/PE~220-230V 50-60Hz, K=3/PE~380-400V 50-60Hz, L=3/PE~415V 50-60Hz, M=3/PE~440V 60Hz, P=1/N/PE~220-230V 50-60Hz, R=2/PE~220-240V 50-60Hz, U=1/N/PE~240V 50-60Hz, V=3/PE~240V 50-60Hz, W=1/N/PE~100-110V 50-60Hz

vsezip.ru

+7(812)987-08-81



16_001_e

vsezip.ru

| ID | P-code | SN from | SN to | Mod | Acces | Volt | Description |
|----------------------------------------------------|--------|---------|-------|-----|-------|------|---------------------------------------|
| Module: Pressure switch group with air trap | | | | | | | |
| 2100 | 88110 | | - | | | | Pressure switch PR |
| 2105 | 135911 | | - | | | | Air trap |
| 2110 | 13301 | | - | i | | | Gasket |
| 2115 | 11702 | | - | i | | | Nut |
| 2120 | 14508 | | - | | | | 4,5x9 EPDM rubber hose (minimum 2 mt) |

i=INSULATED HOOD, e=ELECTRONICAL CONTROL

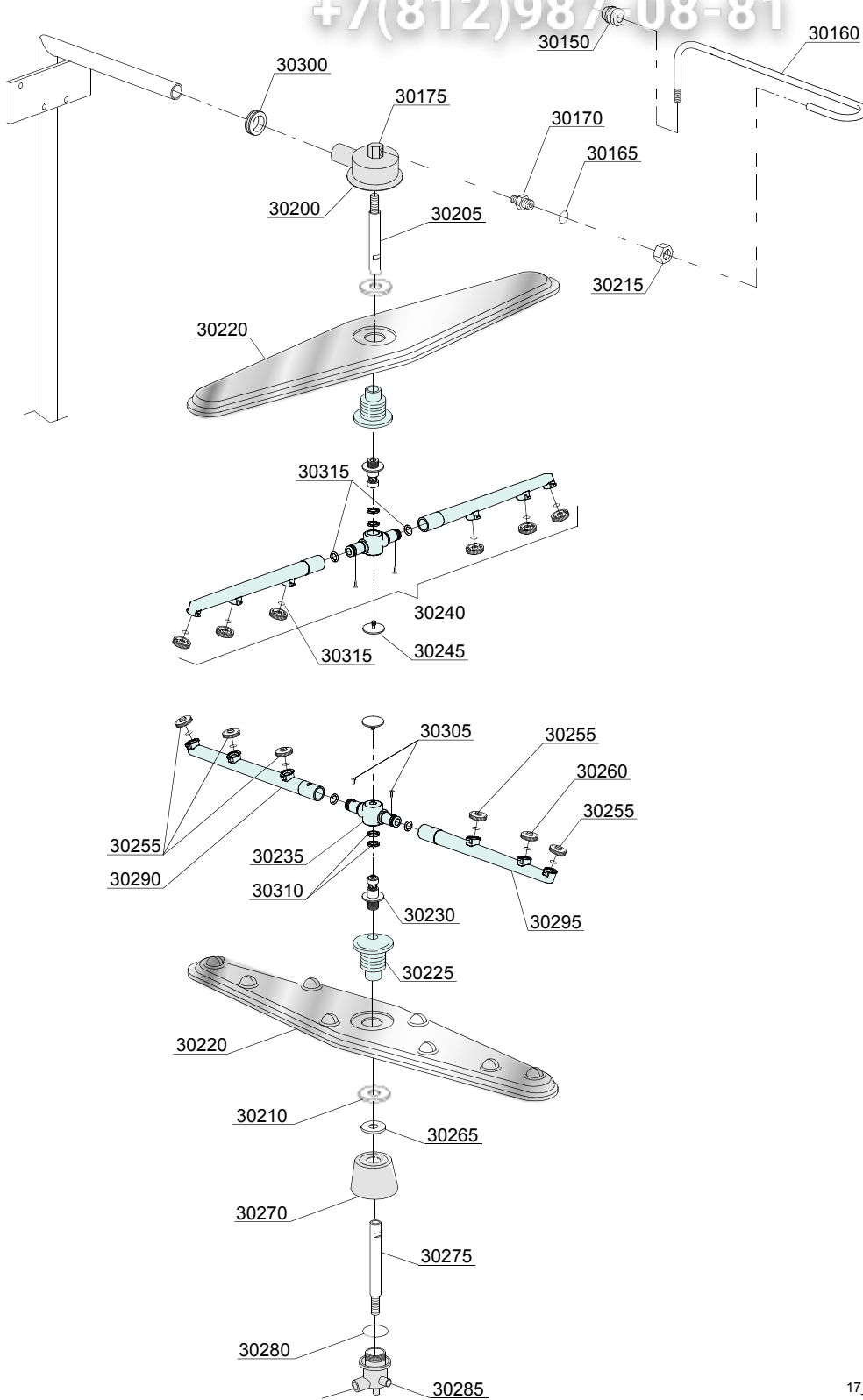
115U=115U

bp=BOOSTER PUMP, dvgw=DVGW, ws=WATER SOFTNER, dd=DETERGENT DISPENSER, dp=DRAIN PUMP

A=3/N/PE~380-400V 50-60Hz, D=3/PE~200-210V 50-60Hz, F=2/PE~220-240V 50-60Hz, G=3/N/PE~415V 50-60Hz, H=3/PE~220-230V 50-60Hz, K=3/PE~380-400V 50-60Hz, L=3/PE~415V 50-60Hz, M=3/PE~440V 60Hz, P=1/N/PE~220-230V 50-60Hz, R=2/PE~220-240V 50-60Hz, U=1/N/PE~240V 50-60Hz, V=3/PE~240V 50-60Hz, W=1/N/PE~100-110V 50-60Hz

vsezip.ru

+7(812)987-08-81



17_125xe

| ID | P-code | SN from | SN to | Mod | Acces | Volt | Description |
|-----------------------------------------------|----------|---------|-------|-----|-------|------|-------------------------------------------|
| Module:Turret group with rotating arms | | | | | | | |
| 30150 | 13304 | | - | e | | | Pipe |
| 30160 | 76082 | | - | e | | | Pipe gasket |
| 30165 | 13003 | | - | e | | | OR 112 NBR O-ring |
| 30170 | 12006 | | - | e | | | Coupling |
| 30175 | 75319 | | - | e | | | Elbow coupling |
| 30200 | 78001 | | - | e | | | Distributor upper |
| 30205 | 75322 | | - | e | | | Shaft, upper |
| 30210 | 75317 | | - | e | | | Nut |
| 30215 | 12006/A | | - | e | | | Ø10 pipe fitting 3/8x3,5 nut 19 hexagonal |
| 30220 | 10600900 | | - | e | | | Wash arm |
| 30225 | 75320 | | - | e | | | Holder |
| 30230 | 10651 | | - | e | | | Rinse axle |
| 30235 | 75920/A | | - | e | | | Rinse arm |
| 30240 | 75920 | | - | e | | | Rinse arm complete |
| 30245 | 10652 | | - | e | | | Rinse arm screw |
| 30255 | 10371 | | - | e | | | Open rinse nozzle |
| 30260 | 10372 | | - | e | | | Closed rinse nozzle |
| 30265 | 11600033 | | - | e | | | Ring |
| 30270 | 11600035 | | - | e | | | Lower wash arm support |
| 30275 | 11600021 | | - | e | | | Shaft, lower |
| 30280 | 13015 | | - | e | | | O-ring |
| 30285 | 500621 | | - | e | | | Distributor lower |
| 30290 | 75920/D | | - | e | | | Right rinse arm |
| 30295 | 75920/S | | - | e | | | Left rinse arm |
| 30300 | 76081 | | - | e | | | Pipe-pass O-ring 51x34x14 |
| 30305 | 11004 | | - | e | | | 4x10 TCB Ø8 spax toothed screw |
| 30310 | 75920/B | | - | e | | | O ring for hub (rinse arm) |
| 30315 | 13002 | | - | e | | | OR R6 NBR O-ring (minimum 10 pieces) |

i=INSULATED HOOD, e=ELECTRONICAL CONTROL

115U=115U

bp=BOOSTER PUMP, dvgw=DVGW, ws=WATER SOFTNER, dd=DETERGENT DISPENSER, dp=DRAIN PUMP

A=3/N/PE~380-400V 50-60Hz, D=3/PE~200-210V 50-60Hz, F=2/PE~220-240V 50-60Hz, G=3/N/PE~415V 50-60Hz, H=3/PE~220-230V 50-60Hz, K=3/PE~380-400V 50-60Hz, L=3/PE~415V 50-60Hz, M=3/PE~440V 60Hz, P=1/N/PE~220-230V 50-60Hz, R=2/PE~220-240V 50-60Hz, U=1/N/PE~240V 50-60Hz, V=3/PE~240V 50-60Hz, W=1/N/PE~100-110V 50-60Hz