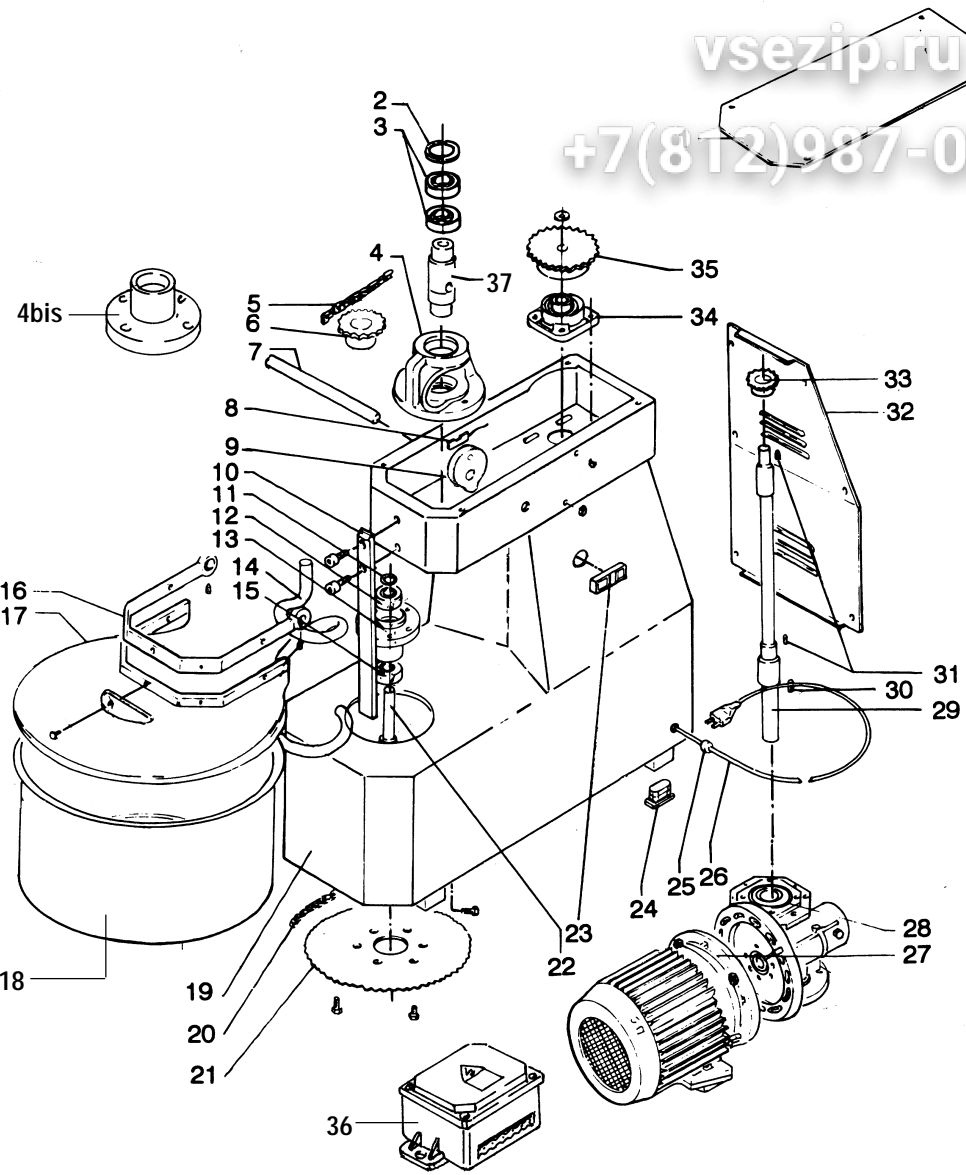


Зип Общепит

vsezip.ru

+7(812)987-08-81



Зип Общепит
vsezip.ru
+7(812)987-08-81

I PARTI DI RICAMBIO

| | | | | | |
|------|--------------------------------|----|-----------------------|----|--------------------------------|
| 1 | Coperchio superiore | 11 | Seeger | 25 | Pressacavo PG 13,5 |
| 2 | Seeger | 12 | Cuscinetto | 26 | Cavo elettrico |
| 3 | Cuscinetto | 13 | Portavasca | 27 | Motore |
| 4 | Portaspirale (mod. Kg 25 - 38) | 14 | Spirale inox | 28 | Riduttore |
| 4bis | Portaspirale (mod. Kg 7-12-16) | 15 | Cuscinetto | 29 | Albero riduttore |
| 5 | Catena superiore | 16 | Collarino | 30 | Chiavetta |
| 6 | Pignone | 17 | Coperchio plexiglass | 31 | Chiavetta |
| 7 | Perno sostegno coperchio | 18 | Vasca inox | 32 | Sportello posteriore |
| 8 | Sensore magnetico | 19 | Carcassa impastatrice | 33 | Pignone |
| 9 | Rondella gomma portamagnete | 20 | Catena inferiore | 34 | Supporto UCF |
| 10 | Barra centrale vasca | 21 | Corona | 35 | Pignone |
| | | 22 | Perno portavasca | 36 | Scheda |
| | | 23 | Pulsante ON/OFF | 37 | Canotto inox (mod. Kg 25 - 38) |
| | | 24 | Piedino di gomma | | |

GB SPARE PARTS

| | | | | | |
|------|----------------------------------|----|--------------------|----|-------------------------------|
| 1 | Cover superior | 12 | Bearing | 25 | I pressed |
| 2 | Seeger | 13 | Carries tank | 26 | Cable electric |
| 3 | Bearing | 14 | Spiral inox | 27 | Motor |
| 4 | Carries spiral (mod. Kg 25 - 38) | 15 | Bearing | 28 | Gear box |
| 4bis | Carries spiral (mod. Kg 7-12-16) | 16 | Collar | 29 | Gear shaft |
| 5 | Chain sup. | 17 | Cover plx | 30 | Key |
| 6 | Pinion | 18 | Tank inox | 31 | Key |
| 7 | Pivot supporting rod | 19 | Casing | 32 | Rear cover |
| 8 | Magnetic sensor | 20 | Chain inf. | 33 | Pinion |
| 9 | Washer rubberize door magnet | 21 | Crown | 34 | Support UCF |
| 10 | Bar central bath | 22 | Pivot carries tank | 35 | Pinion |
| 11 | Seeger | 23 | Beating | 36 | Card |
| | | 24 | Foot of rubber | 37 | Sleeve inox (mod. Kg 25 - 38) |

F PIECES DE RECHANGE

| | | | | | |
|------|------------------------------------|----|--------------------------|----|--------------------------------|
| 1 | Couvercle superior | 12 | Roulement | 25 | Appuyé |
| 2 | Seeger | 13 | Port el bain | 26 | Câbler électrique |
| 3 | Roulement | 14 | Inox en spirale | 27 | Moteur |
| 4 | Porte la spirale (mod. Kg 25 - 38) | 15 | Roulement | 28 | Réducteur |
| 4bis | Porte la spirale (mod. Kg 7-12-16) | 16 | Col | 29 | Arbre réducteur |
| 5 | Chain superior | 17 | Couvercle plx | 30 | Clavette |
| 6 | Pignon | 18 | Bac inox | 31 | Clavette |
| 7 | Le pivot de soutien de couvercle | 19 | Carcasse | 32 | Couverture post. |
| 8 | Detecteur magnétique | 20 | Chain inf. | 33 | Pignon |
| 9 | Rondelle que je caoutchout | 21 | Couronne | 34 | Support UCF |
| | l'aimant de porte | 22 | Pivot porte le réservoir | 35 | Pignon |
| 10 | Barrier le bain central | 23 | Battement | 36 | Fiche |
| 11 | Seeger | 24 | Pied de caoutchouc | 37 | Manchon inox (mod. Kg 25 - 38) |

D ERSATZTEILE

| | | | | | |
|------|---|----|--------------------------------|----|-------------------------------|
| 1 | Deckel | 10 | Sperrren sie zentrales bad aus | 24 | Fuß des gummis |
| 2 | Seeger | 11 | Seeger | 25 | Habe gedrückt |
| 3 | Lager | 12 | Lager | 26 | Kabein sie elektrisch |
| 4 | Trägt schneckenwindung (mod. Kg 25 - 38) | 13 | Trägt bad | 27 | Motor |
| | | 14 | Spiral förmig inox | 28 | Getriebe |
| 4bis | Trägt schneckenwindung (mod. Kg 7-12-16) | 15 | Lager | 29 | Getriebe-Welle |
| | | 16 | Kragen | 30 | Keil |
| 5 | Obere kette | 17 | Deckel plx | 31 | Keil |
| 6 | Ritzel | 18 | Wanne inox | 32 | Hintere decke |
| 7 | Deckelstützendrehpunkt | 19 | Gehäuse | 33 | Ritzel |
| 8 | Magnetischer sensor | 20 | Untere kette | 34 | Support UCF |
| 9 | Unterelegscheibe ich rubberize tür magnet | 21 | Krone | 35 | Ritzel |
| | | 22 | Drehpunkt trägt tank | 36 | Karte |
| | | 23 | Schalten | 37 | Buchse inox (mod. Kg 25 - 38) |

E REPUESTOS

| | | | | | |
|------|---------------------------------------|----|------------------------|----|---|
| 1 | Tapa sup. | 12 | Cojinete | 25 | Apreté |
| 2 | Seeger | 13 | Lleva el baño | 26 | Cable electric |
| 3 | Cojinete | 14 | Inox espiral | 27 | Motor |
| 4 | Lleva espiral (mod. Kg 25 - 38) | 15 | Cojinete | 28 | Reductor |
| 4bis | Lleva espiral (mod. Kg 7-12-16) | 16 | Cuello | 29 | Arbol reductor |
| 5 | Cadena sup. | 17 | Tapa plx | 30 | Chaveta |
| 6 | Pinon | 18 | Tanque inox | 31 | Chaveta |
| 7 | Pivote de apoyo of tapa | 19 | Armazon mezclador | 32 | Cubierta trasera |
| 8 | Sensor magnético | 20 | Cadena inf. | 33 | Pinon |
| 9 | Arandela yo reencaucho imán de puerta | 21 | Corona | 34 | Support UCF |
| | | 22 | Pivote lleva el tanque | 35 | Pinon |
| 10 | Impidas el baño central | 23 | Paliza | 36 | Ficha |
| 11 | Seeger | 24 | Pied de caucho | 37 | Envainadura de acero inox (mod. Kg 25 - 38) |