

Зип Общепит

vsezip.ru

+7(812)987-08-81

# DISHWASHER

ELECTROMECHANICAL SWITCHES  
LOWER WASHING

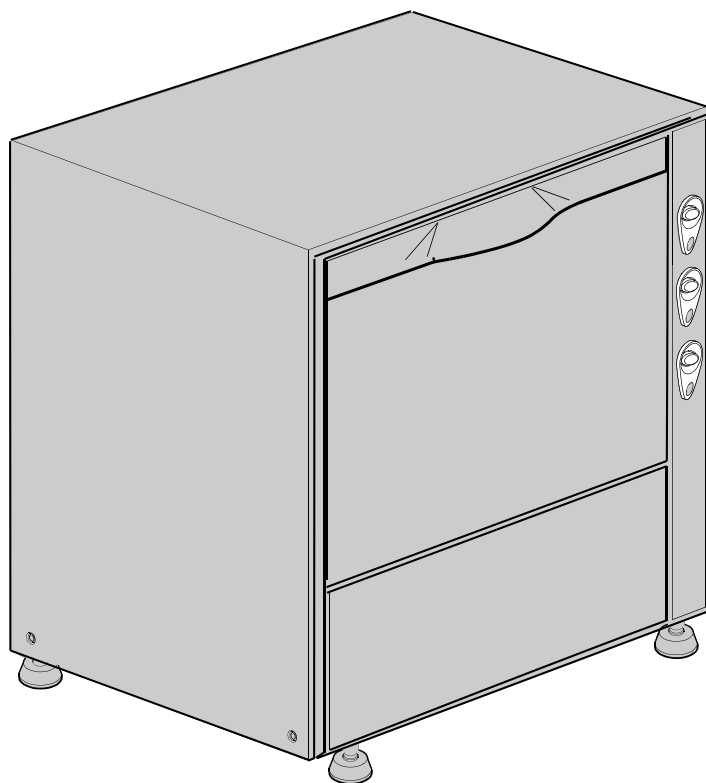
TYPE: 1U

Accessories  
COLD RINSE  
DETERGENT DISPENSER

---

## Spare Parts Manual

---



---

S/N:

Valid from:01/2006

Rev.: 2.0

---

**INFORMAZIONI GENERALI**

Questo catalogo serve per richiedere con esattezza le parti di ricambio

Nelle ordinazioni indicare:

1) il numero dei codici dei particolari seguito dalla descrizione e la quantità desiderata;

2) Il codice alfa-numerico presente nella seconda colonna della tabella ;

**I disegni delle parti di ricambio sono solo indicativi e non rappresentano il pezzo in oggetto.**

**I dati contenuti in questo catalogo sono indicativi e possono essere soggetti a modifiche senza impegno di preavviso.**

**ALLGEMEINE INFORMATIONEN**

Dieser Ersatzteilkatalog dient zur genauen Angabe der Teile bei Ersatzteilbestellungen.

Bei Ersatzbestellung ist folgendes anzugeben:

1) Die Bestellnummer der Ersatzteile mit der entsprechenden Beschreibung genaue Menge;

2) Der alpha-numerischer Code auf der zweiten Reihe in dein Sculd;

**Die Zeichnungen der Ersatzteile sind nur als Hinweise gedacht und stellen nicht das betroffene Teil dar.**

**Bei den im Katalog angeführten Daten handelt es sich um Anhaltsdaten, die jederzeit, ohne Vorankündigung, geändert werden können.**

**GENERAL INFORMATION**

The present spare parts order exactly the right spare parts

When ordering specify:

1) the part's code number followed by its description and quantity needed;

2) The alpha-numeric code is in the second column in the chart;

**Spare parts drawings are general and do not represent the part.**

**The contents of this catalogue are general and can undergo changes without prior notice.**

**INFORMACIONES GENERALES**

El presente catálogo sirve para pedir con exactitud las partes de repuesto

En los pedidos se debe indicar:

1) el número de código de la parte y a continuación la descripción cantidad deseada;

2) El código alfanumerico presente en la segnada columna de la tabla;

**Los diseños de las partes de recambio son solo indicativos y no representan la pieza en cuestión.**

**Los datos contenidos en el presente catálogo son indicativos y pueden modificarse sin aviso previo.**

**INFORMATIONS GENERALES**

Ce catalogue permet de commander correctement les pièces détachées

Les commandes doivent être passées en indiquant:

1) le numero de code des pièces détachées suivi de leur description quantité désirée;

2) le code alphanumérique dans la deuxième colonne du tableau;

**Les plans des pièces détachées sont fournis seulement à titre indicatif et ne représentent pas la pièce concernée.**

**Les données de ce catalogue sont citées seulement à titre indicatif et peuvent être l'objet de modifications sans avis préalable.**

**ESEMPIO  
EXAMPLE  
EXEMPLE  
BEISPIEL**

| Rif.               | Codici  |
|--------------------|---------|
| MODULE:Particolari |         |
| 10505              | 540903  |
| 10510              | 540908  |
| 10515              | 15065/A |
| 10520              | 540086  |
| 10525              | 540028  |



**Note**

Tutte le informazioni riportate si intendono aggiornate alla data di stampa. Il Produttore si riserva il diritto di apportare qualsiasi modifica richiesta dallo sviluppo evolutivo dei suddetti prodotti.

Per la sicurezza, la garanzia, l'affidabilità ed il valore della lavastoviglie usa solo ricambi originali. **Per alcuni codici, sono richieste quantità minime d'ordine.**



**Attenzione**

Questo libretto è parte integrante della lavastoviglie e, in caso di passaggio di proprietà, deve essere consegnato al nuovo acquirente.



**Remarque**

Toutes les informations contenues dans ce manuel s'entendent mises à jour à la date d'impression. En raison du développement constant de ses produits, usine se réserve le droit d'apporter à tout instant les modifications qu'elle jugera utiles.

Pour la sécurité, la garantie, la fiabilité et la valeur de votre lavevaisselles n'utilisez que des pièces de rechange d'origine. **Pour quelque référence on demande un minimum de pièces par commande**



**Attention**

Ce manuel doit être considéré comme partie intégrante de la lavevaisselles, en cas de transfert de propriété, doit toujours être remis au nouveau propriétaire.



**Note**

The information contained herein is valid at the time of going to print. The Company reserves the right to make any changes required by the future development of the above-mentioned products.

For your safety, as well as to preserve the warranty reliability and worth of your dishwashers, use original spare parts only. **For some codes a minimum quantity for order is required.**



**Warning**

This manual forms an integral part of the dishwashers and - if a transfer of title occurs - must always be handed over to the new owner.



**Hinweis**

Die Der Hersteller behält sich das Recht vor, jegliche, durch eine Weiterentwicklung der genannten Produkte bedingte Änderungen vornehmen zu können.

Verwenden Sie für Ihre Sicherheit, die Garantie, die Zuverlässigkeit und den Wert Ihrer machine originale Ersatzteile. **Für bestimmte Code nummer werden mindesten bestellungen verlangt.**



**Achtung**

Diese Betriebsanleitung ist Bestandteil des machine und muss bei seinem Weiterverkauf dem neuen Besitzer ausgehändigt werden.

vsezip.ru  
+7(812)987-08-81

**Code** 999XXYYYY **CL/Part**

**Model DESCRIPTION**  
**S/N** 04012345 **Type** .....

400VAC3N 50HZ 8A  
3500W 500W

16A

**IPX3**

**TECHICAL SPECIFICATION**

Pressione Dinamica alimentazione idrica **200-500**  
 Pression dynamique arrivée d'eau  
 Dynamic pressure water supply  
 Dynamischer Druck assereinlauf

**MADE IN ITALY**

Pressione dinamica vapore saturo  
 Pression dynamique vapeur saturée  
 Dyanischer Druck gesättigter Dampf  
 Pression Dinamica Vapor Saturado

Temperatura massima acqua in ingresso **60°C**  
 Temperature max eau a l'entre  
 Maximale Temperatur Wasseranschluß  
 Maximum Water temperature in-feeding

**Model** **S/N**

**CODE 999 XX YYYY**

FAMIGLIA PRODOTTO  
 FAMILY PRODUCT  
 FAMILLE DU PRODUIT  
 FAMILIA PRODUCTO  
 FAMILIE DES PRODUKTES

CODICE MODELLO  
 CODE MODEL  
 CODE ARTICLE  
 CODIGO MODELO  
 KODE VON MODELL

**S/N 04 012345**

ANNO  
 YEAR  
 ANNÉE  
 AN"O  
 JAHR

NUMERO DI SERIE  
 SERIAL NUMBER  
 NUMÉRO DI SÉRIE  
 NUMERO DI SERIE  
 SERIENNUMMER

Spare parts

---

**Зип Общепит**

**vsezip.ru**

**+7(812)987-08-81**

vsezip.ru

+7(812)987-08-81

## 1. Spare parts

|   |    |
|---|----|
| General body parts.....                 | 5  |
| Lockup system .....                     | 7  |
| Control panel and switches.....         | 9  |
| Electric control components.....        | 11 |
| Solenoid valve group .....              | 13 |
| Solenoid valve group .....              | 15 |
| Rinse aid dispenser group.....          | 17 |
| 3 ways connection .....                 | 19 |
| 3 ways connection .....                 | 21 |
| Wash pump .....                         | 23 |
| Dosing detergent group.....             | 25 |
| Pressure switch group with air trap ... | 27 |
| Turret group with rotating arms .....   | 29 |

vsezip.ru

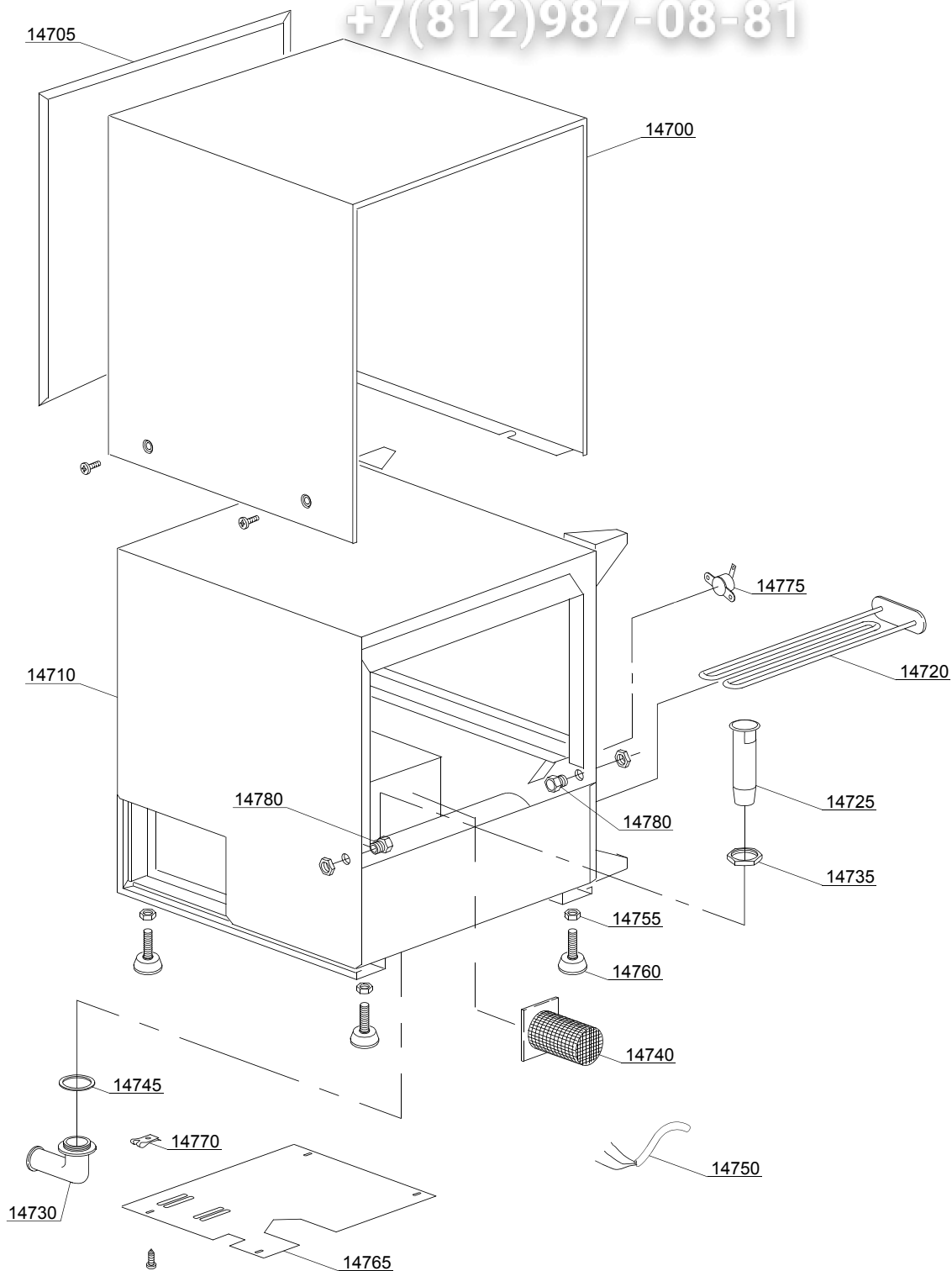
+7(812)987-08-81

## 1.1 Voltage codes

| Volt | Voltage code            |
|------|-------------------------|
| A    | 3/N/PE~380-400V 50-60Hz |
| D    | 3/PE~200-210V 50-60Hz   |
| F    | 2/PE~220-240V 50-60Hz   |
| G    | 3/N/PE~415V 50-60Hz     |
| H    | 3/PE~220-230V 50-60Hz   |
| K    | 3/PE~380-400V 50-60Hz   |
| L    | 3/PE~415V 50-60Hz       |
| M    | 3/PE~440V 60Hz          |
| P    | 1/N/PE~220-230V 50-60Hz |
| R    | 2/PE~220-240V 50-60Hz   |
| U    | 1/N/PE~240V 50-60Hz     |
| V    | 3/PE~240V 50-60Hz       |
| W    | 1/N/PE~100-110V 50-60Hz |

## 1.2 Product codes

| Product code    | Full name                  |
|-----------------|----------------------------|
| Model codes     |                            |
| em              | ELECTROMECHANICAL SWITCHES |
| lw              | LOWER WASHING              |
| Type codes      |                            |
| 1U              | 1U                         |
| Accessory codes |                            |
| cr              | COLD RINSE                 |
| dd              | DETERGENT DISPENSER        |



01\_017\_e



| ID                               | P-code  | SN from | SN to | Mod. | Acces | Volt | Description                              |
|----------------------------------|---------|---------|-------|------|-------|------|--|
| <b>Module:General body parts</b> |         |         |       |      |       |      |  |
| 14700                            | 10101   |         | -     |      |       |      | Cover                                    |
| 14705                            | 10102   |         | -     |      |       |      | Back panel                               |
| 14710                            | 10906   |         | -     |      |       |      | Body                                     |
| 14720                            | 10714   |         | -     |      |       |      | 2/2,18KW 230/240V heating element        |
| 14720                            | 10714/C |         | -     |      |       |      | 2KW heating element - 110Vac             |
| 14725                            | 10725   |         | -     |      |       |      | Overflow pipe                            |
| 14730                            | 10701   |         | -     |      |       |      | Drain elbow                              |
| 14735                            | 11701/A |         | -     |      |       |      | Stainless steel nut                      |
| 14740                            | 10914   |         | -     |      |       |      | Rectangular steel filter                 |
| 14745                            | 13305   |         | -     |      |       |      | 44x32x3 O-ring (minimum 5 pieces)        |
| 14750                            | 10713   |         | -     |      |       |      | 3x2,5x2500 cable                         |
| 14755                            | 11711   |         | -     |      |       |      | M10 zinc plated nut (minimum 20 pieces)  |
| 14760                            | 10786   |         | -     |      |       |      | M10x25 Ø40 black foot (minimum 4 pieces) |
| 14765                            | 10130   |         | -     |      |       |      | End piece protection                     |
| 14770                            | 11003   |         | -     |      |       |      | Plate for self-tapping screw             |
| 14775                            | 15550   |         | -     |      |       |      | Safety thermostat                        |
| 14780                            | 11835   |         | -     |      |       |      | Brass bush with nut                      |

em=ELECTROMECHANICAL SWITCHES, lw=LOWER WASHING

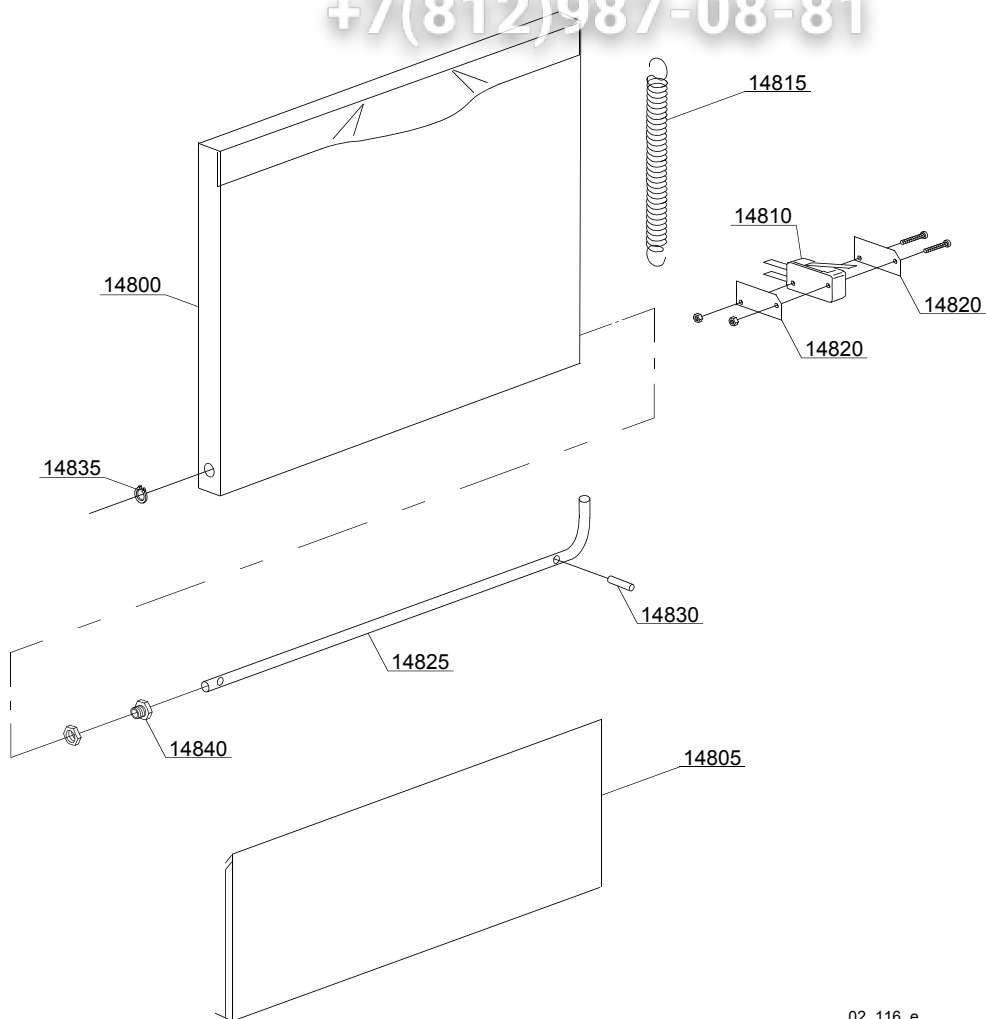
1U=1U

cr=COLD RINSE, dd=DETERGENT DISPENSER

A=3/N/PE~380-400V 50-60Hz, D=3/PE~200-210V 50-60Hz, F=2/PE~220-240V 50-60Hz, G=3/N/PE~415V 50-60Hz, H=3/PE~220-230V 50-60Hz, K=3/PE~380-400V 50-60Hz, L=3/PE~415V 50-60Hz, M=3/PE~440V 60Hz, P=1/N/PE~220-230V 50-60Hz, R=2/PE~220-240V 50-60Hz, U=1/N/PE~240V 50-60Hz, V=3/PE~240V 50-60Hz, W=1/N/PE~100-110V 50-60Hz

vsezip.ru

+7(812)987-08-81



02\_116\_e

vsezip.ru

| ID                           | P-code | SN from | SN to | Mod | Acces. | Volt | Description  |
|------------------------------|--------|---------|-------|-----|--------|------|--|
| <b>Module: Lockup system</b> |        |         |       |     |        |      |  |
| 14800                        | 10920  |         | -     |     |        |      | Door with stainless steel handle                   |
| 14805                        | 10103  |         | -     |     |        |      | Lower door   |
| 14810                        | 10704  |         | -     |     |        |      | Door microswitch                                   |
| 14815                        | 10700  |         | -     |     |        |      | Spring   |
| 14820                        | 10770  |         | -     |     |        |      | Insulation for door microswitch (minimum 3 pieces) |
| 14825                        | 10126  |         | -     |     |        |      | Rod door   |
| 14830                        | 11170  |         | -     |     |        |      | M5x25 grub-screw (minimum 2 pieces)                |
| 14835                        | 11815  |         | -     |     |        |      | Ø8 stainless steel snap ring (minimum 5 pieces)    |
| 14840                        | 11835  |         | -     |     |        |      | Brass bush with nut                                |

em=ELECTROMECHANICAL SWITCHES, lw=LOWER WASHING

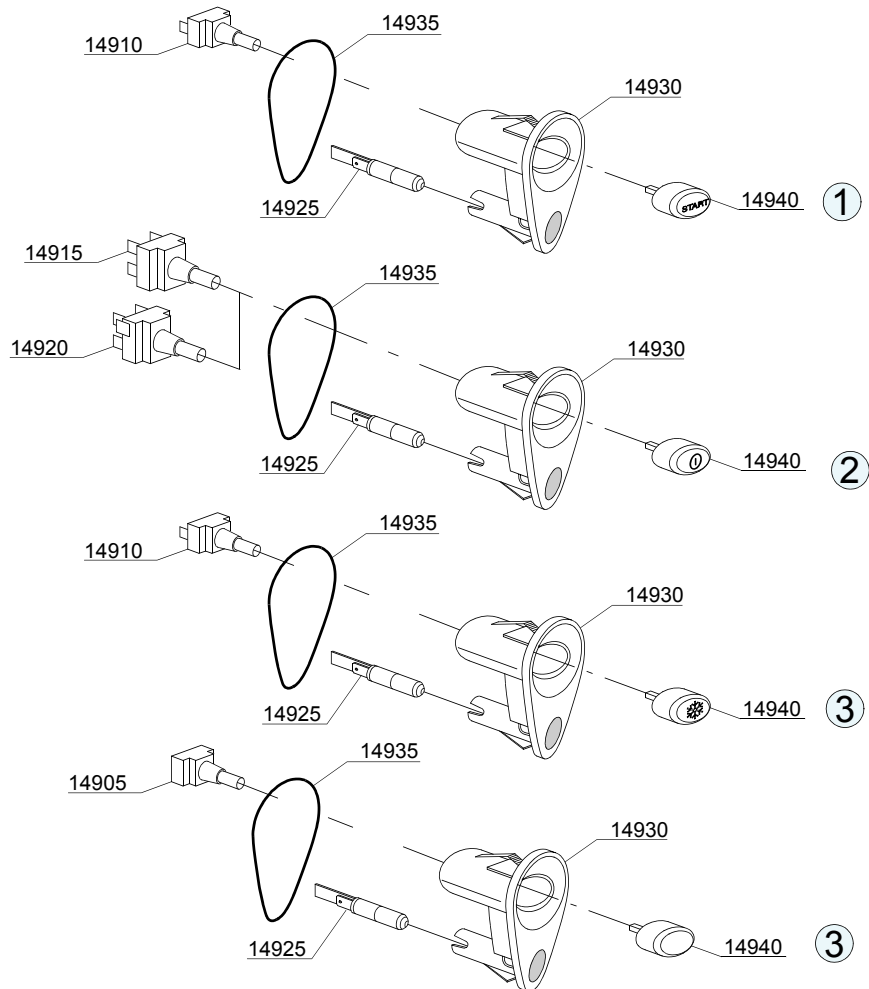
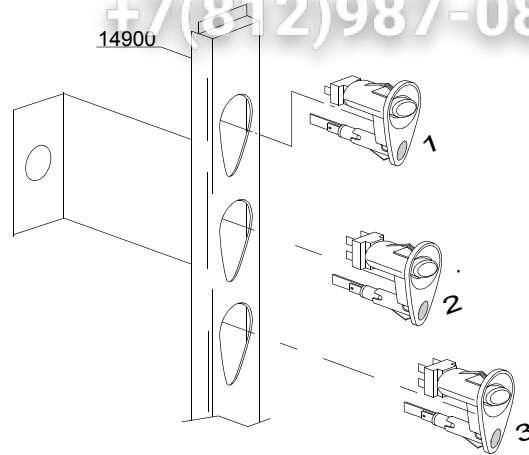
1U=1U

cr=COLD RINSE, dd=DETERGENT DISPENSER

A=3/N/PE~380-400V 50-60Hz, D=3/PE~200-210V 50-60Hz, F=2/PE~220-240V 50-60Hz, G=3/N/PE~415V 50-60Hz, H=3/PE~220-230V 50-60Hz, K=3/PE~380-400V 50-60Hz, L=3/PE~415V 50-60Hz, M=3/PE~440V 60Hz, P=1/N/PE~220-230V 50-60Hz, R=2/PE~220-240V 50-60Hz, U=1/N/PE~240V 50-60Hz, V=3/PE~240V 50-60Hz, W=1/N/PE~100-110V 50-60Hz

vsezip.ru

+7(812)987-08-81



03\_019\_e

vsezip.ru

| ID  | P-code | SN from | SN to | Mod. | Acces | Volt | Description                   |
|---|--------|---------|-------|------|-------|------|-------------------------------|
| <b>Module: Control panel and switches</b> |        |         |       |      |       |      |                               |
| 14900                                     | 10926  |         | -     | em   |       |      | Control panel                 |
| 14905                                     | 15844  |         | -     | em   |       |      | Push button support           |
| 14910                                     | 15813  |         | -     | em   |       |      | 16A unipolar switch           |
| 14915                                     | 15812  |         | -     | em   |       |      | 16A switch                    |
| 14925                                     | 15826  |         | -     | em   |       |      | Pilot light 220V              |
| 14930                                     | 89300  |         | -     | em   |       |      | Push button support           |
| 14935                                     | 89332  |         | -     | em   |       |      | OR O-ring (minimum 10 pieces) |
| 14940                                     | 89344  |         | -     | em   | cr    |      | Hot/cold push button          |
| 14940                                     | 89341  |         | -     | em   |       |      | Start push button             |
| 14940                                     | 89348  |         | -     | em   |       |      | Blind push button             |
| 14940                                     | 89340  |         | -     | em   |       |      | ON-OFF push button            |

em=ELECTROMECHANICAL SWITCHES, lw=LOWER WASHING

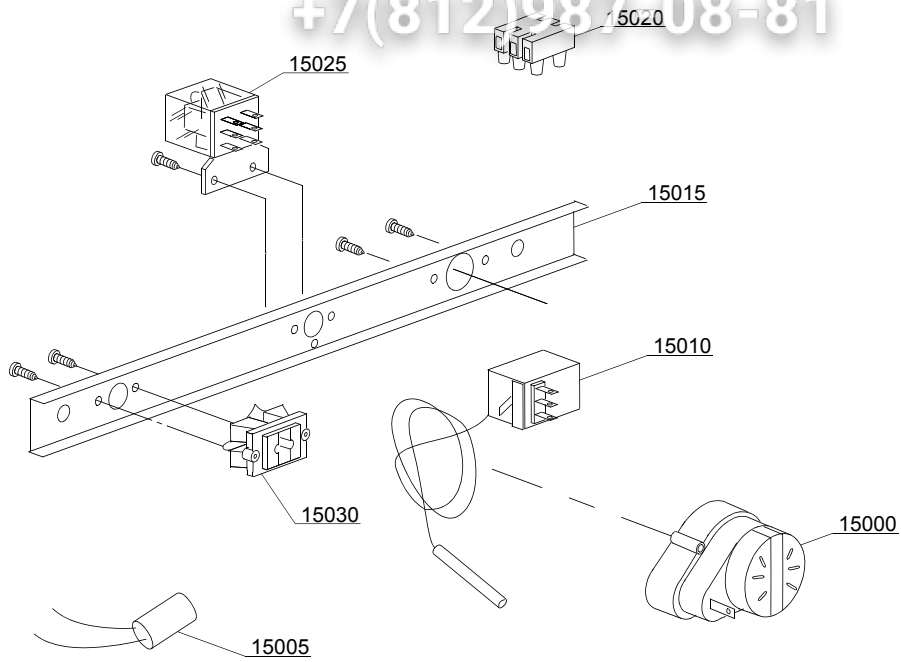
1U=1U

cr=COLD RINSE, dd=DETERGENT DISPENSER

A=3/N/PE~380-400V 50-60Hz, D=3/PE~200-210V 50-60Hz, F=2/PE~220-240V 50-60Hz, G=3/N/PE~415V 50-60Hz, H=3/PE~220-230V 50-60Hz, K=3/PE~380-400V 50-60Hz, L=3/PE~415V 50-60Hz, M=3/PE~440V 60Hz, P=1/N/PE~220-230V 50-60Hz, R=2/PE~220-240V 50-60Hz, U=1/N/PE~240V 50-60Hz, V=3/PE~240V 50-60Hz, W=1/N/PE~100-110V 50-60Hz

vsezip.ru

+7(812)987-08-81



04\_015\_e

| ID   | P-code  | SN from | SN to | Mod. | Acces. | Volt | Description                             |
|--|---------|---------|-------|------|--------|------|---|
| <b>Module: Electric control components</b> |         |         |       |      |        |      |   |
| 15000                                      | 10708/L |         | -     |      |        |      | 120" timer - 230Vac 50Hz                |
| 15000                                      | 10708/E |         | -     |      |        |      | 90" timer with thermostop - 110Vac 60Hz |
| 15000                                      | 10708/B |         | -     |      |        |      | 120" timer - 220Vac 60Hz                |
| 15005                                      | 15146   |         | -     |      |        |      | Low noise filter                        |
| 15010                                      | 10707/1 |         | -     |      |        |      | 0-90°C thermostat                       |
| 15015                                      | 10948   |         | -     |      |        |      | Electric components panel               |
| 15020                                      | 15065   |         | -     |      |        |      | Terminal board                          |
| 15025                                      | 15620/A |         | -     |      |        |      | 110Vac bipolar relay                    |
| 15030                                      | 15065/A |         | -     |      |        |      | Cable-fastener with screw               |

em=ELECTROMECHANICAL SWITCHES, lw=LOWER WASHING

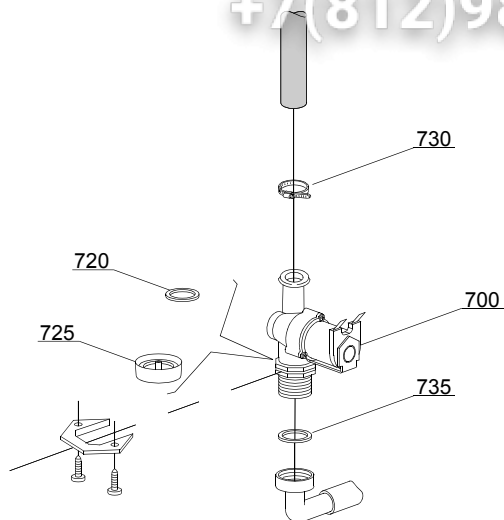
1U=1U

cr=COLD RINSE, dd=DETERGENT DISPENSER

A=3/N/PE~380-400V 50-60Hz, D=3/PE~200-210V 50-60Hz, F=2/PE~220-240V 50-60Hz, G=3/N/PE~415V 50-60Hz, H=3/PE~220-230V 50-60Hz, K=3/PE~380-400V 50-60Hz, L=3/PE~415V 50-60Hz, M=3/PE~440V 60Hz, P=1/N/PE~220-230V 50-60Hz, R=2/PE~220-240V 50-60Hz, U=1/N/PE~240V 50-60Hz, V=3/PE~240V 50-60Hz, W=1/N/PE~100-110V 50-60Hz

vsezip.ru

+7(812)987-08-81



05\_002\_e



vsezip.ru

| ID                                 | P-code | SN from | SN to | Mod. | Acces. | Volt | Description                    |
|------------------------------------|--------|---------|-------|------|--------|------|--------------------------------|
| <b>Module:Solenoid valve group</b> |        |         |       |      |        |      |                                |
| 700                                | 10703  |         | -     | em   |        |      | Single solenoid valve - 230Vac |
| 720                                | N.C.   |         | -     | em   |        |      | Pression reducing valve        |
| 730                                | 11807  |         | -     | em   |        |      | 12/22 clamp (minimum 3 pieces) |
| 735                                | 13307  |         | -     | em   |        |      | 3/4 gasket                     |

em=ELECTROMECHANICAL SWITCHES, lw=LOWER WASHING

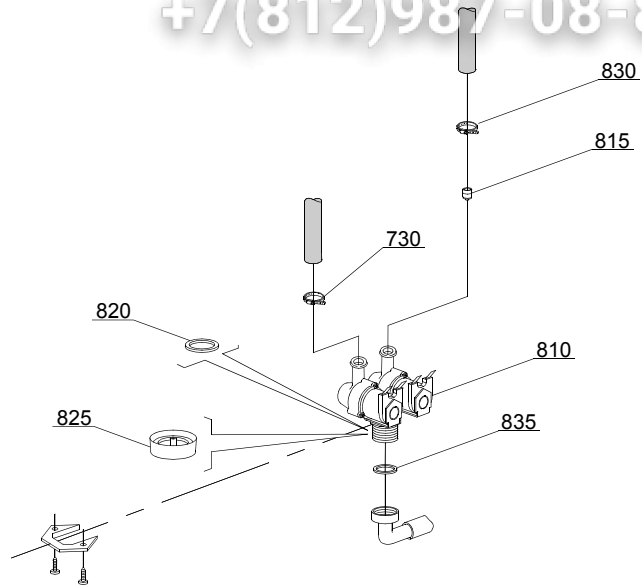
1U=1U

cr=COLD RINSE, dd=DETERGENT DISPENSER

A=3/N/PE~380-400V 50-60Hz, D=3/PE~200-210V 50-60Hz, F=2/PE~220-240V 50-60Hz, G=3/N/PE~415V 50-60Hz, H=3/PE~220-230V 50-60Hz, K=3/PE~380-400V 50-60Hz, L=3/PE~415V 50-60Hz, M=3/PE~440V 60Hz, P=1/N/PE~220-230V 50-60Hz, R=2/PE~220-240V 50-60Hz, U=1/N/PE~240V 50-60Hz, V=3/PE~240V 50-60Hz, W=1/N/PE~100-110V 50-60Hz

vsezip.ru

+7(812)987-08-81



05\_003\_€

vsezip.ru

| ID                                 | P-code  | SN from | SN to | Mod. | Acces. | Volt | Description                          |
|------------------------------------|---------|---------|-------|------|--------|------|--------------------------------------|
| <b>Module:Solenoid valve group</b> |         |         |       |      |        |      |                                      |
| 810                                | 15098   |         | -     | em   | cr     |      | Double solenoid valve - Ø10 - 230Vac |
| 810                                | 15098/A |         | -     | em   | cr     |      | Double solenoid valve - 110Vac       |

em=ELECTROMECHANICAL SWITCHES, lw=LOWER WASHING

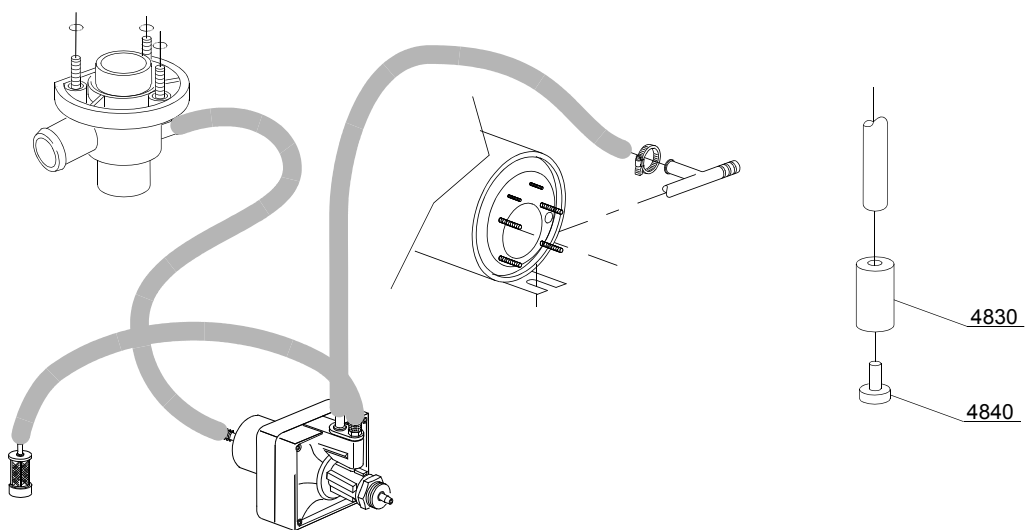
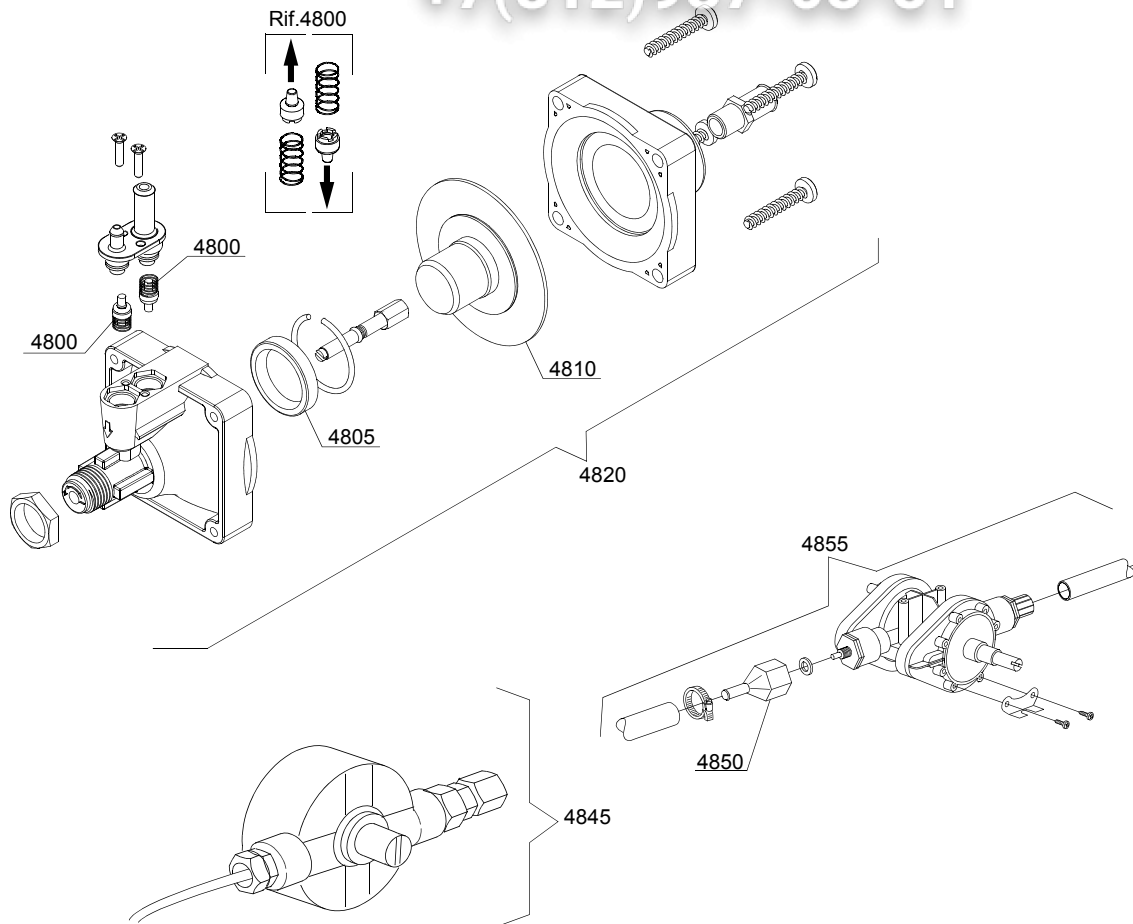
1U=1U

cr=COLD RINSE, dd=DETERGENT DISPENSER

A=3/N/PE~380-400V 50-60Hz, D=3/PE~200-210V 50-60Hz, F=2/PE~220-240V 50-60Hz, G=3/N/PE~415V 50-60Hz, H=3/PE~220-230V 50-60Hz, K=3/PE~380-400V 50-60Hz, L=3/PE~415V 50-60Hz, M=3/PE~440V 60Hz, P=1/N/PE~220-230V 50-60Hz, R=2/PE~220-240V 50-60Hz, U=1/N/PE~240V 50-60Hz, V=3/PE~240V 50-60Hz, W=1/N/PE~100-110V 50-60Hz

vsezip.ru

+7(812)987-08-81



10\_004\_e

vsezip.ru

| ID                                       | P-code  | SN from | SN to | Mod. | Acces. | Volt | Description                     |
|--|---------|---------|-------|------|--------|------|---------------------------------|
| <b>Module: Rinse aid dispenser group</b> |         |         |       |      |        |      |                                 |
| 4800                                     | 10805   |         | -     |      |        |      | Tecnopro non return valve       |
| 4805                                     | 10806   |         | -     |      |        |      | Ø22 O-ring                      |
| 4810                                     | 10807   |         | -     |      |        |      | Membrane                        |
| 4820                                     | 10705   |         | -     |      |        |      | TECNO PRO rinse aid dispenser   |
| 4830                                     | 12525   |         | -     |      |        |      | Ballast                         |
| 4840                                     | 15058   |         | -     |      |        |      | Small filter (minimum 3 pieces) |
| 4845                                     | 10799/G |         | -     |      |        |      | GERMAC rinse aid dispenser      |
| 4850                                     | 10798/B |         | -     |      |        |      | Brass pipe fitting              |
| 4855                                     | 10798   |         | -     |      |        |      | LANG Rinse aid dispenser        |

em=ELECTROMECHANICAL SWITCHES, lw=LOWER WASHING

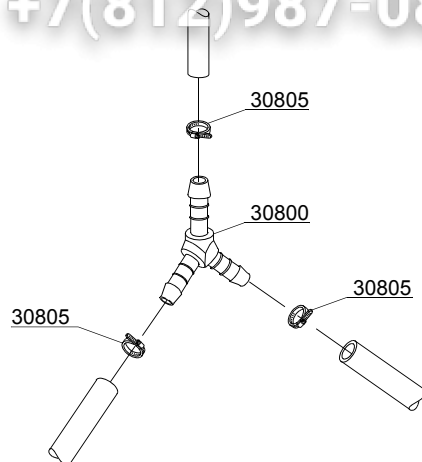
1U=1U

cr=COLD RINSE, dd=DETERGENT DISPENSER

A=3/N/PE~380-400V 50-60Hz, D=3/PE~200-210V 50-60Hz, F=2/PE~220-240V 50-60Hz, G=3/N/PE~415V 50-60Hz, H=3/PE~220-230V 50-60Hz, K=3/PE~380-400V 50-60Hz, L=3/PE~415V 50-60Hz, M=3/PE~440V 60Hz, P=1/N/PE~220-230V 50-60Hz, R=2/PE~220-240V 50-60Hz, U=1/N/PE~240V 50-60Hz, V=3/PE~240V 50-60Hz, W=1/N/PE~100-110V 50-60Hz

vsezip.ru

+7(812)987-08-81



12\_003ae

vsezip.ru

| ID                              | P-code | SN from | SN to | Mod. | Acces. | Volt | Description                      |
|---------------------------------|--------|---------|-------|------|--------|------|----------------------------------|
| <b>Module:3 ways connection</b> |        |         |       |      |        |      |                                  |
| 30800                           | 540090 |         | -     | em   |        |      | Ø10 mm plastic 3 ways connection |
| 30805                           | 11807  |         | -     | em   |        |      | 12/22 clamp (minimum 3 pieces)   |

em=ELECTROMECHANICAL SWITCHES, lw=LOWER WASHING

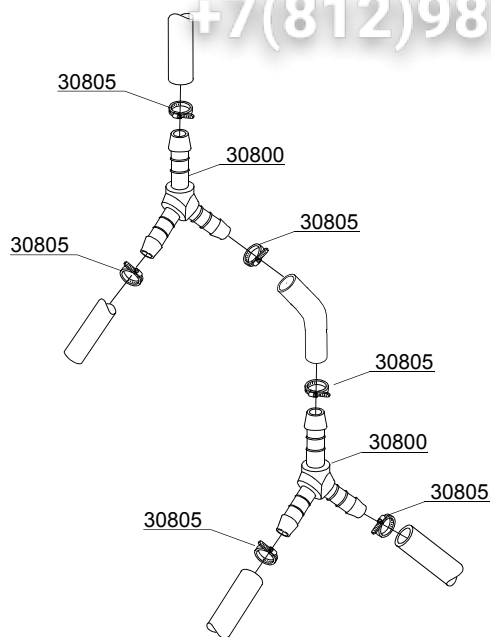
1U=1U

cr=COLD RINSE, dd=DETERGENT DISPENSER

A=3/N/PE~380-400V 50-60Hz, D=3/PE~200-210V 50-60Hz, F=2/PE~220-240V 50-60Hz, G=3/N/PE~415V 50-60Hz, H=3/PE~220-230V 50-60Hz, K=3/PE~380-400V 50-60Hz, L=3/PE~415V 50-60Hz, M=3/PE~440V 60Hz, P=1/N/PE~220-230V 50-60Hz, R=2/PE~220-240V 50-60Hz, U=1/N/PE~240V 50-60Hz, V=3/PE~240V 50-60Hz, W=1/N/PE~100-110V 50-60Hz

vsezip.ru

+7(812)987-08-81



12\_010\_e



vsezip.ru

| ID                              | P-code | SN from | SN to | Mod. | Acces. | Volt | Description                      |
|---------------------------------|--------|---------|-------|------|--------|------|----------------------------------|
| <b>Module:3 ways connection</b> |        |         |       |      |        |      |                                  |
| 30800                           | 540090 |         | -     | em   | cr     |      | Ø10 mm plastic 3 ways connection |
| 30805                           | 11807  |         | -     | em   | cr     |      | 12/22 clamp (minimum 3 pieces)   |

em=ELECTROMECHANICAL SWITCHES, lw=LOWER WASHING

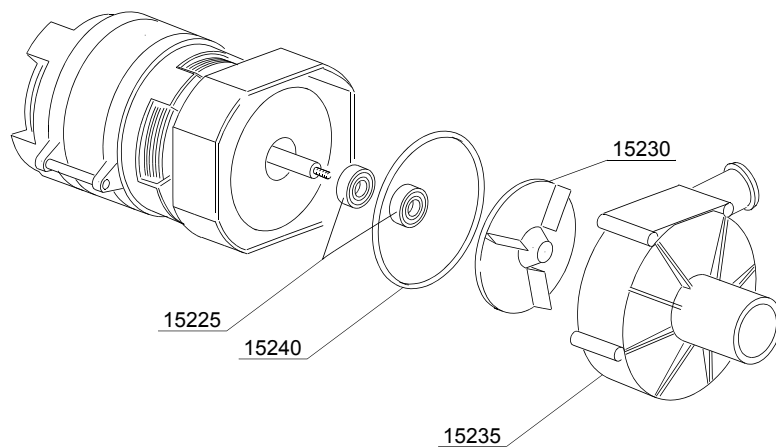
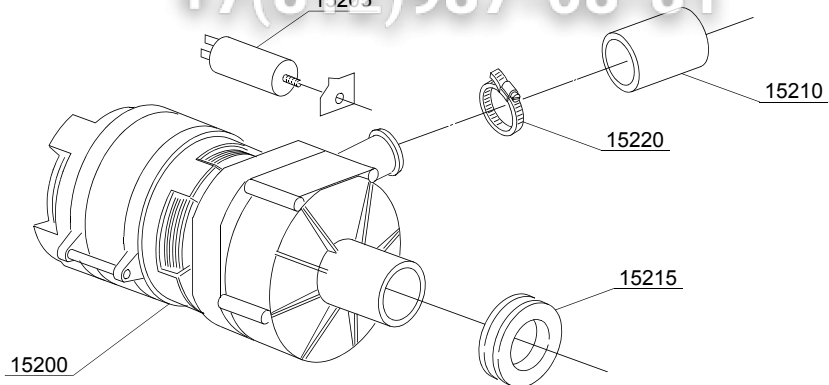
1U=1U

cr=COLD RINSE, dd=DETERGENT DISPENSER

A=3/N/PE~380-400V 50-60Hz, D=3/PE~200-210V 50-60Hz, F=2/PE~220-240V 50-60Hz, G=3/N/PE~415V 50-60Hz, H=3/PE~220-230V 50-60Hz, K=3/PE~380-400V 50-60Hz, L=3/PE~415V 50-60Hz, M=3/PE~440V 60Hz, P=1/N/PE~220-230V 50-60Hz, R=2/PE~220-240V 50-60Hz, U=1/N/PE~240V 50-60Hz, V=3/PE~240V 50-60Hz, W=1/N/PE~100-110V 50-60Hz

vsezip.ru

+7(812)987-08-81



13\_005\_e

| ID                       | P-code  | SN from | SN to | Mod. | Acces. | Volt | Description                     |
|--------------------------|---------|---------|-------|------|--------|------|---------------------------------|
| <b>Module: Wash pump</b> |         |         |       |      |        |      |                                 |
| 15200                    | 10501/A |         | -     | lw   |        | A    | 0,10 Hp wash pump - 230V 50Hz   |
| 15200                    | 10501/D |         | -     | lw   |        | H    | 0,10 Hp wash pump - 220VAc 60Hz |
| 15200                    | 10501/E |         | -     | lw   |        |      | 0,10Hp wash pump - 110Vac 60Hz  |
| 15205                    | 10702   |         | -     | lw   |        |      | 5 uF condenser - 450V           |
| 15210                    | 10718   |         | -     | lw   |        |      | Pump pipe coupling              |
| 15215                    | 13306   |         | -     | lw   |        |      | 43x27x10 pump O-ring            |
| 15220                    | 11806   |         | -     | lw   |        |      | 25/40 clamp (minimum 2 pieces)  |
| 15225                    | 10505   |         | -     | lw   |        |      | Rotating seals                  |
| 15230                    | 10504   |         | -     | lw   |        |      | Pump rotor - d.63               |
| 15235                    | 10502   |         | -     | lw   |        |      | Pump scroll                     |
| 15240                    | 10506   |         | -     | lw   |        |      | OR O-ring                       |

em=ELECTROMECHANICAL SWITCHES, lw=LOWER WASHING

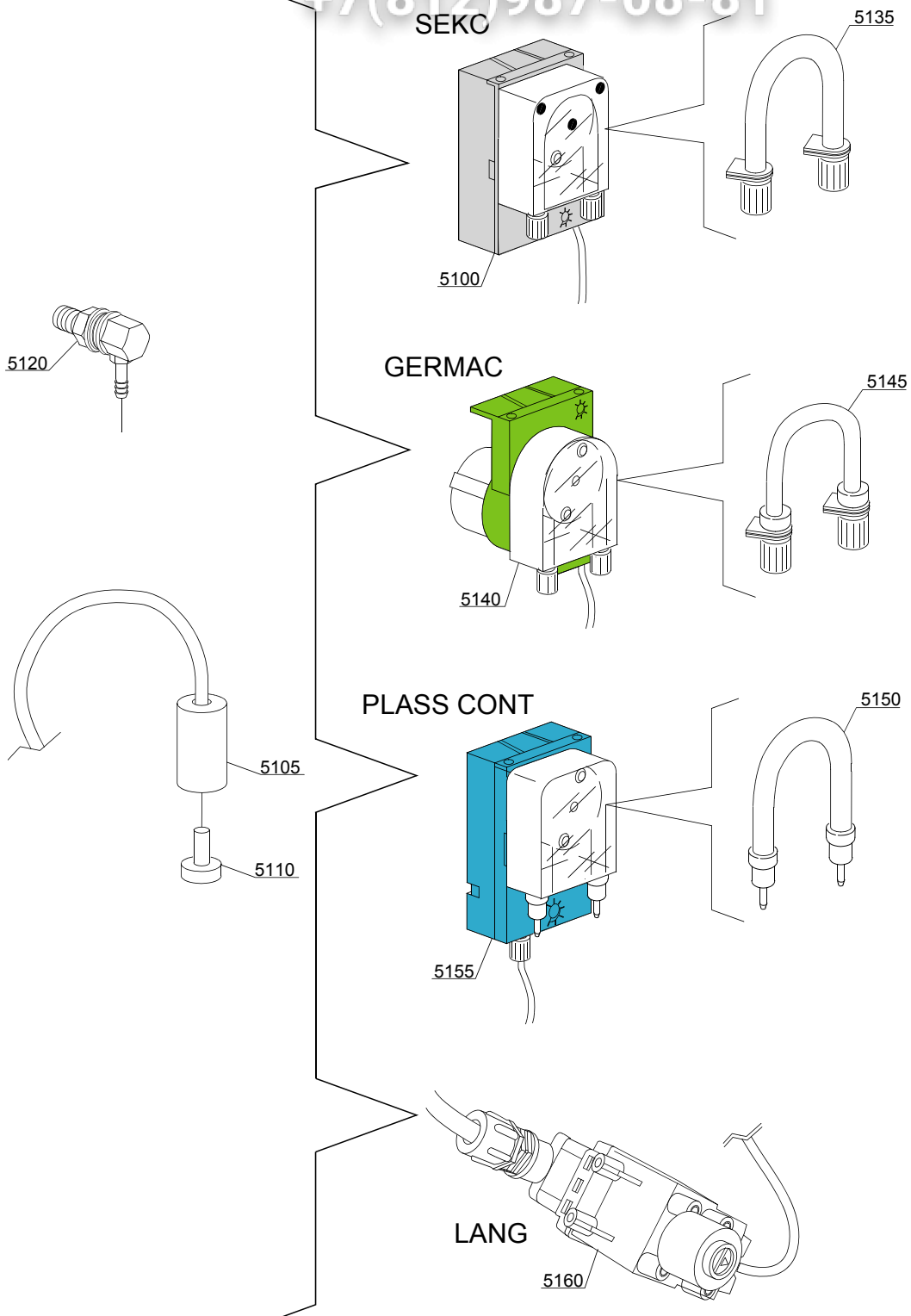
1U=1U

cr=COLD RINSE, dd=DETERGENT DISPENSER

A=3/N/PE~380-400V 50-60Hz, D=3/PE~200-210V 50-60Hz, F=2/PE~220-240V 50-60Hz, G=3/N/PE~415V 50-60Hz, H=3/PE~220-230V 50-60Hz, K=3/PE~380-400V 50-60Hz, L=3/PE~415V 50-60Hz, M=3/PE~440V 60Hz, P=1/N/PE~220-230V 50-60Hz, R=2/PE~220-240V 50-60Hz, U=1/N/PE~240V 50-60Hz, V=3/PE~240V 50-60Hz, W=1/N/PE~100-110V 50-60Hz

vsezip.ru

+7(812)987-08-81



14\_004\_e

vsezip.ru

| ID                                   | P-code   | SN from | SN to | Mod. | Acces. | Volt | Description                                  |
|--------------------------------------|----------|---------|-------|------|--------|------|--|
| <b>Module:Dosing detergent group</b> |          |         |       |      |        |      |  |
| 5100                                 | 15985    |         | -     | em   | dd     |      | Seko detergent pump                          |
| 5105                                 | 12525    |         | -     | em   | dd     |      | Ballast                                      |
| 5110                                 | 15058    |         | -     | em   | dd     |      | Small filter (minimum 3 pieces)              |
| 5120                                 | 15123    |         | -     | em   | dd     |      | Steel injector                               |
| 5125                                 | 15159    |         | -     | em   | dd     |      | OR O-ring (minimum 2 pieces)                 |
| 5130                                 | 10200205 |         | -     | em   | dd     |      | M12x1 stainless steel nut (minimum 2 pieces) |
| 5135                                 | 15185    |         | -     | em   | dd     |      | Seko thermoplastic pipe                      |
| 5140                                 | 15985    |         | -     | em   | dd     |      | Germac detergent pump                        |
| 5145                                 | 15108/E  |         | -     | em   | dd     |      | Germac thermoplastic pipe                    |
| 5150                                 | 15985/A  |         |       | em   | dd     |      | Plas Cont thermoplastic pipe                 |
| 5155                                 | 15985    |         |       | em   | dd     |      | Plas Cont detergent pump                     |
| 5160                                 | 15108/L  |         |       | em   | dd     |      | Lang detergent pump                          |

em=ELECTROMECHANICAL SWITCHES, lw=LOWER WASHING

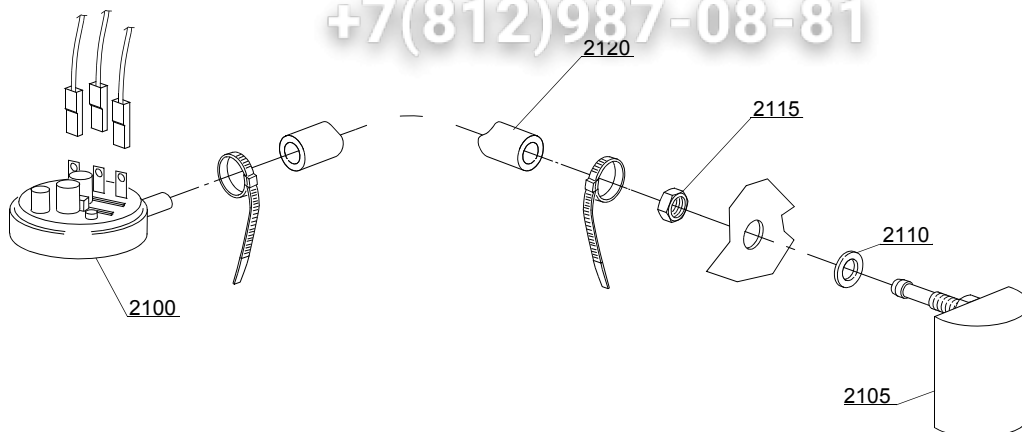
1U=1U

cr=COLD RINSE, dd=DETERGENT DISPENSER

A=3/N/PE~380-400V 50-60Hz, D=3/PE~200-210V 50-60Hz, F=2/PE~220-240V 50-60Hz, G=3/N/PE~415V 50-60Hz,  
H=3/PE~220-230V 50-60Hz, K=3/PE~380-400V 50-60Hz, L=3/PE~415V 50-60Hz, M=3/PE~440V 60Hz, P=1/N/PE~220-  
230V 50-60Hz, R=2/PE~220-240V 50-60Hz, U=1/N/PE~240V 50-60Hz, V=3/PE~240V 50-60Hz, W=1/N/PE~100-110V  
50-60Hz

vsezip.ru

+7(812)987-08-81



16\_001\_e

| ID   | P-code  | SN from | SN to   | Mod. | Acces. | Volt | Description                                |
|--|---------|---------|---------|------|--------|------|--|
| <b>Module: Pressure switch group with air trap</b> |         |         |         |      |        |      |  |
| 2100   | 10706/A |         | -       | em   |        |      | 47-27 pressure switch                      |
| 2105   | 135911  |         | 4020617 | em   |        |      | Air trap assembly                          |
| 2110   | 13301   |         | -       | em   |        |      | O-ring (minimum 10 pieces) - D14x8x1,5     |
| 2115   | 11702   |         | -       | em   |        |      | M8 stainless steel nut (minimum 10 pieces) |
| 2120   | 14508   |         | -       | em   |        |      | 4,5X9 EPDM rubber hose (minimum 2mt)       |

em=ELECTROMECHANICAL SWITCHES, lw=LOWER WASHING

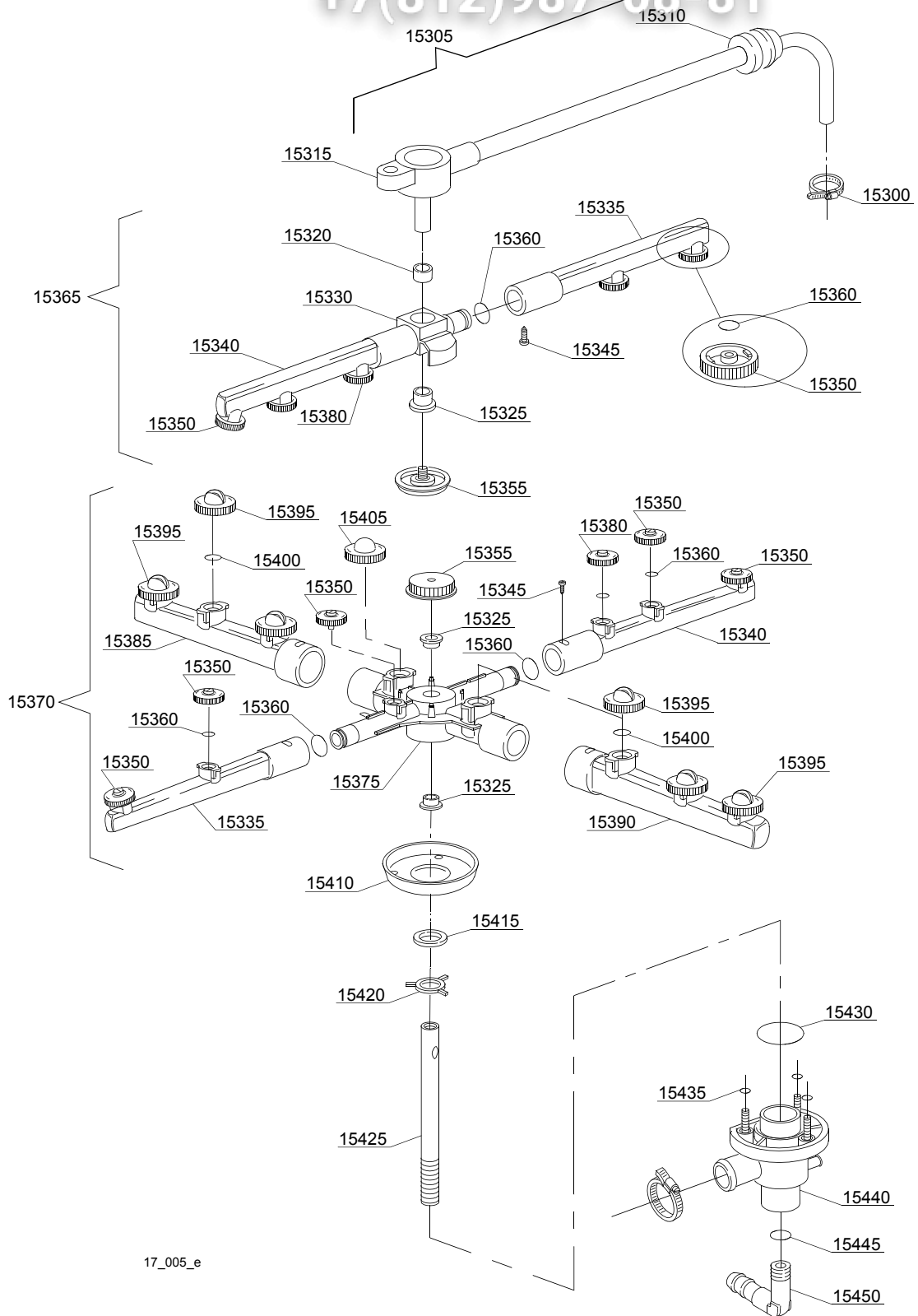
1U=1U

cr=COLD RINSE, dd=DETERGENT DISPENSER

A=3/N/PE~380-400V 50-60Hz, D=3/PE~200-210V 50-60Hz, F=2/PE~220-240V 50-60Hz, G=3/N/PE~415V 50-60Hz, H=3/PE~220-230V 50-60Hz, K=3/PE~380-400V 50-60Hz, L=3/PE~415V 50-60Hz, M=3/PE~440V 60Hz, P=1/N/PE~220-230V 50-60Hz, R=2/PE~220-240V 50-60Hz, U=1/N/PE~240V 50-60Hz, V=3/PE~240V 50-60Hz, W=1/N/PE~100-110V 50-60Hz

vsezip.ru

+7(812)987-08-81



17\_005\_e



| ID  | P-code  | SN from | SN to | Mod. | Acces | Volt | Description                                   |
|---|---------|---------|-------|------|-------|------|---|
| <b>Module:Turret group with rotating arms</b> |         |         |       |      |       |      |   |
| 15300   | 11807   |         | -     | lw   |       |      | 12/22 clamp (minimum 3 pieces)                |
| 15305   | 10993   |         | -     | lw   |       |      | Top rinse turret group                        |
| 15310   | 13304   |         | -     | lw   |       |      | Pipe-pass O-ring                              |
| 15320   | 13320   |         | -     | lw   |       |      | Sliding washer (minimum 3 pieces)             |
| 15325   | 13319   |         | -     | lw   |       |      | Sliding washer (minimum 2 pieces)             |
| 15330   | 10359   |         | -     | lw   |       |      | Rinse rotor                                   |
| 15335   | 10374   |         | -     | lw   |       |      | Right rinse pipe                              |
| 15340   | 10375   |         | -     | lw   |       |      | Left rinse pipe                               |
| 15345   | 11004   |         | -     | lw   |       |      | 4x10 TCB Ø8 spax toothed screw                |
| 15350   | 10371   |         | -     | lw   |       |      | Opened head rinse nozzle (minimum 5 pieces)   |
| 15355   | 10377   |         | -     | lw   |       |      | Handle with insert                            |
| 15360   | 13002   |         | -     | lw   |       |      | OR R6 NBR O-ring (minimum 10 pieces)          |
| 15365   | 10997   |         | -     | lw   |       |      | Top rinse group                               |
| 15370   | 10999   |         | -     | lw   |       |      | Lower wash/rinse group                        |
| 15375   | 10364   |         | -     | lw   |       |      | Wash rotor                                    |
| 15380   | 12538   |         | -     | lw   |       |      | Closed head rinse nozzle (minimum 3 pieces)   |
| 15385   | 10367   |         | -     | lw   |       |      | Right wash pipe                               |
| 15390   | 10368   |         | -     | lw   |       |      | Left wash pipe                                |
| 15395   | 10369   |         | -     | lw   |       |      | Opened head wash nozzle (minimum 2 pieces)    |
| 15400   | 13009   |         | -     | lw   |       |      | OR 2050 NBR O-ring (minimum 40 pieces)        |
| 15405   | 10370   |         | -     | lw   |       |      | Closed head wash nozzle (minimum 3 pieces)    |
| 15410   | 10204   |         | -     | lw   |       |      | Splash guard (minimum 2 pieces)               |
| 15415   | 13302   |         | -     | lw   |       |      | Ø16,5x10x2,5 teflon washer (minimum 2 pieces) |
| 15420   | 10203   |         | -     | lw   |       |      | Guide pipe                                    |
| 15425   | 12501   |         | -     | lw   |       |      | Ø10x1,5x100 rotor axle                        |
| 15430   | 13000   |         | -     | lw   |       |      | OR 3125 NBR O-ring (minimum 5 pieces)         |
| 15435   | 13001   |         | -     | lw   |       |      | OR 104 NBR O-ring (minimum 10 pieces)         |
| 15440   | 10205/A |         | -     | lw   |       |      | Lower wash turret with hole                   |

em=ELECTROMECHANICAL SWITCHES, lw=LOWER WASHING

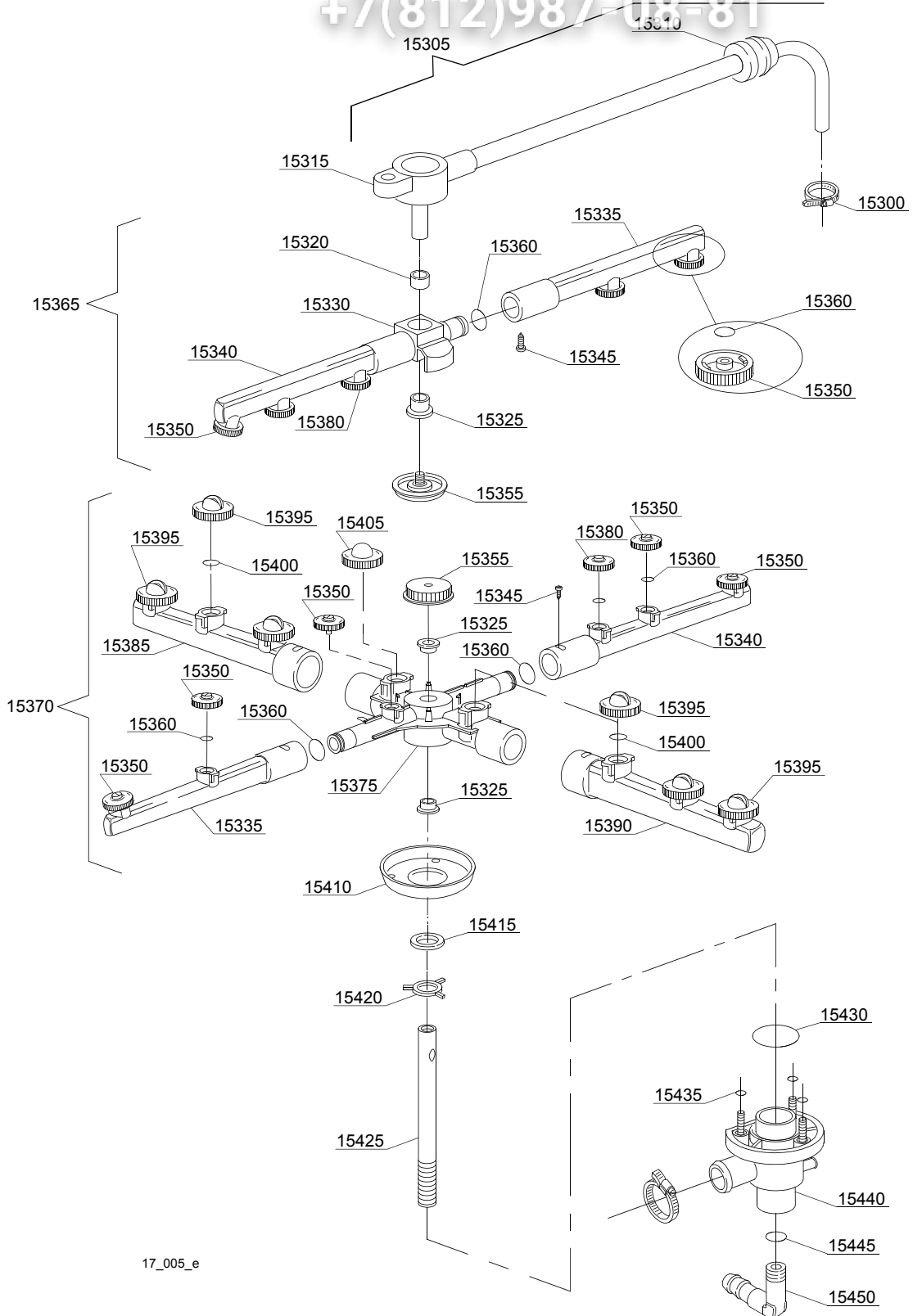
1U=1U

cr=COLD RINSE, dd=DETERGENT DISPENSER

A=3/N/PE~380-400V 50-60Hz, D=3/PE~200-210V 50-60Hz, F=2/PE~220-240V 50-60Hz, G=3/N/PE~415V 50-60Hz, H=3/PE~220-230V 50-60Hz, K=3/PE~380-400V 50-60Hz, L=3/PE~415V 50-60Hz, M=3/PE~440V 60Hz, P=1/N/PE~220-230V 50-60Hz, R=2/PE~220-240V 50-60Hz, U=1/N/PE~240V 50-60Hz, V=3/PE~240V 50-60Hz, W=1/N/PE~100-110V 50-60Hz

vsezip.ru

+7(812)987-08-81



17\_005\_e

vsezip.ru

| ID  | P-code | SN from | SN to | Mod | Acces | Volt | Description                           |
|---|--------|---------|-------|-----|-------|------|---------------------------------------|
| <b>Module:Turret group with rotating arms</b> |        |         |       |     |       |      |                                       |
| 15445   | 13003  |         | -     | lw  |       |      | OR 112 NBR O-ring (minimum 10 pieces) |
| 15450   | 12030  |         | -     | lw  |       |      | 3/8M Ø12 elbow pipe fitting           |

em=ELECTROMECHANICAL SWITCHES, lw=LOWER WASHING

1U=1U

cr=COLD RINSE, dd=DETERGENT DISPENSER

A=3/N/PE~380-400V 50-60Hz, D=3/PE~200-210V 50-60Hz, F=2/PE~220-240V 50-60Hz, G=3/N/PE~415V 50-60Hz, H=3/PE~220-230V 50-60Hz, K=3/PE~380-400V 50-60Hz, L=3/PE~415V 50-60Hz, M=3/PE~440V 60Hz, P=1/N/PE~220-230V 50-60Hz, R=2/PE~220-240V 50-60Hz, U=1/N/PE~240V 50-60Hz, V=3/PE~240V 50-60Hz, W=1/N/PE~100-110V 50-60Hz