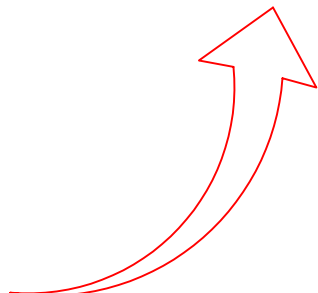
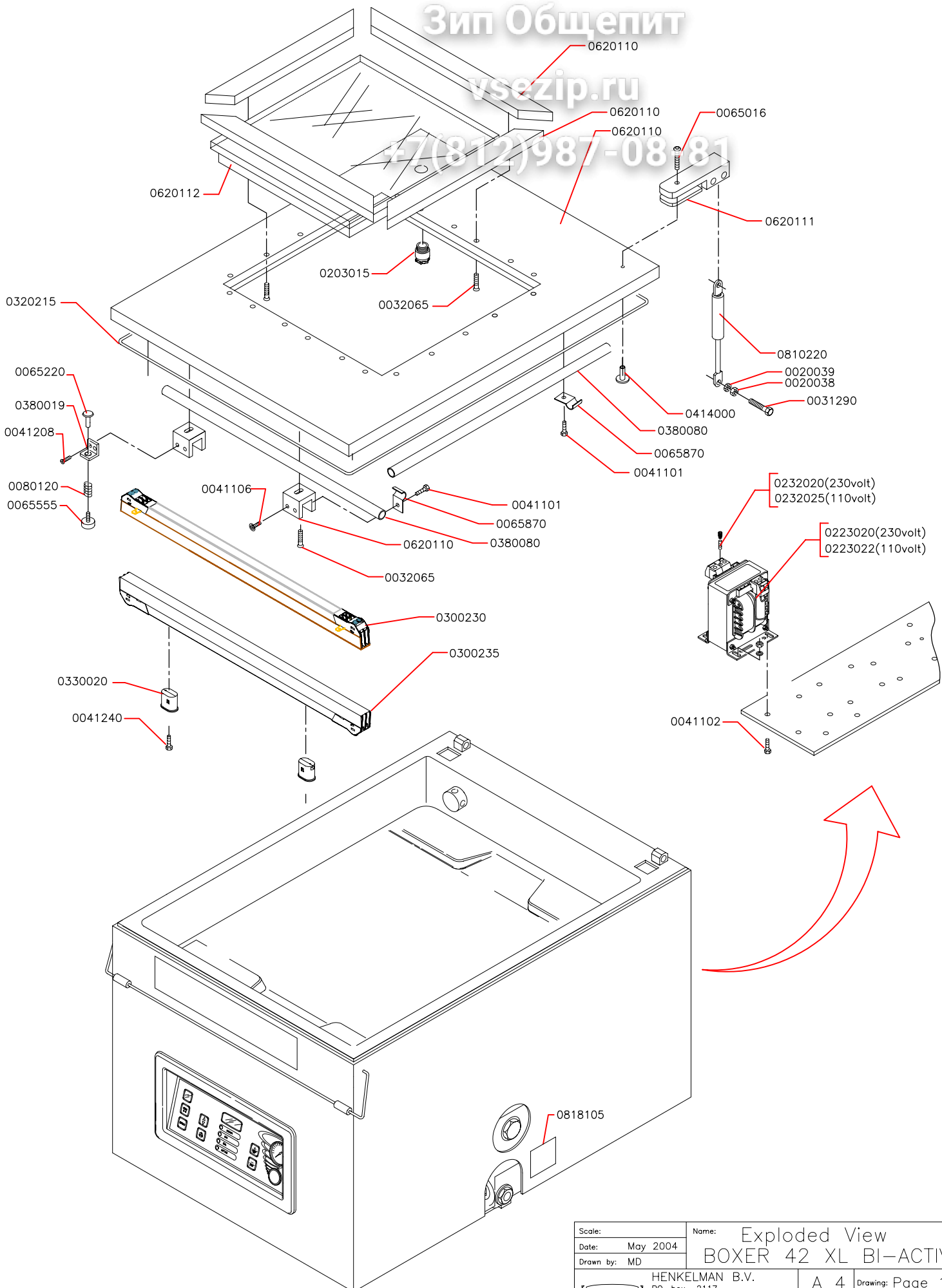
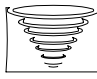


Зип Общепит

vsezip.ru

+7(812)987-08181



Scale:	Name: Exploded View
Date: May 2004	BOXER 42 XL BI-ACTIVE
Drawn by: MD	
	HENKELMAN B.V. P.O. box 2117 5202 CC 's-Hertogenbosch Tel. ++31(0)73 - 6213671 Fax ++31(0)73 - 6221318 The Netherlands
A 4	Drawing: Page 1-1
	Rev, no: 02
<small>Ownership explicitly reserved. Multiplication or information to third-parties in any form is not permitted without written permission of the owner.</small>	

Зип-Общепит

vsezip.ru

+7(812)987-08-81

0041209

0041208

0304476

0304475

0080150

0020300

0304454

0206720(Jumbo 35)

0206730(Jumbo 42)

0305505

0305020(5MM)

0305000

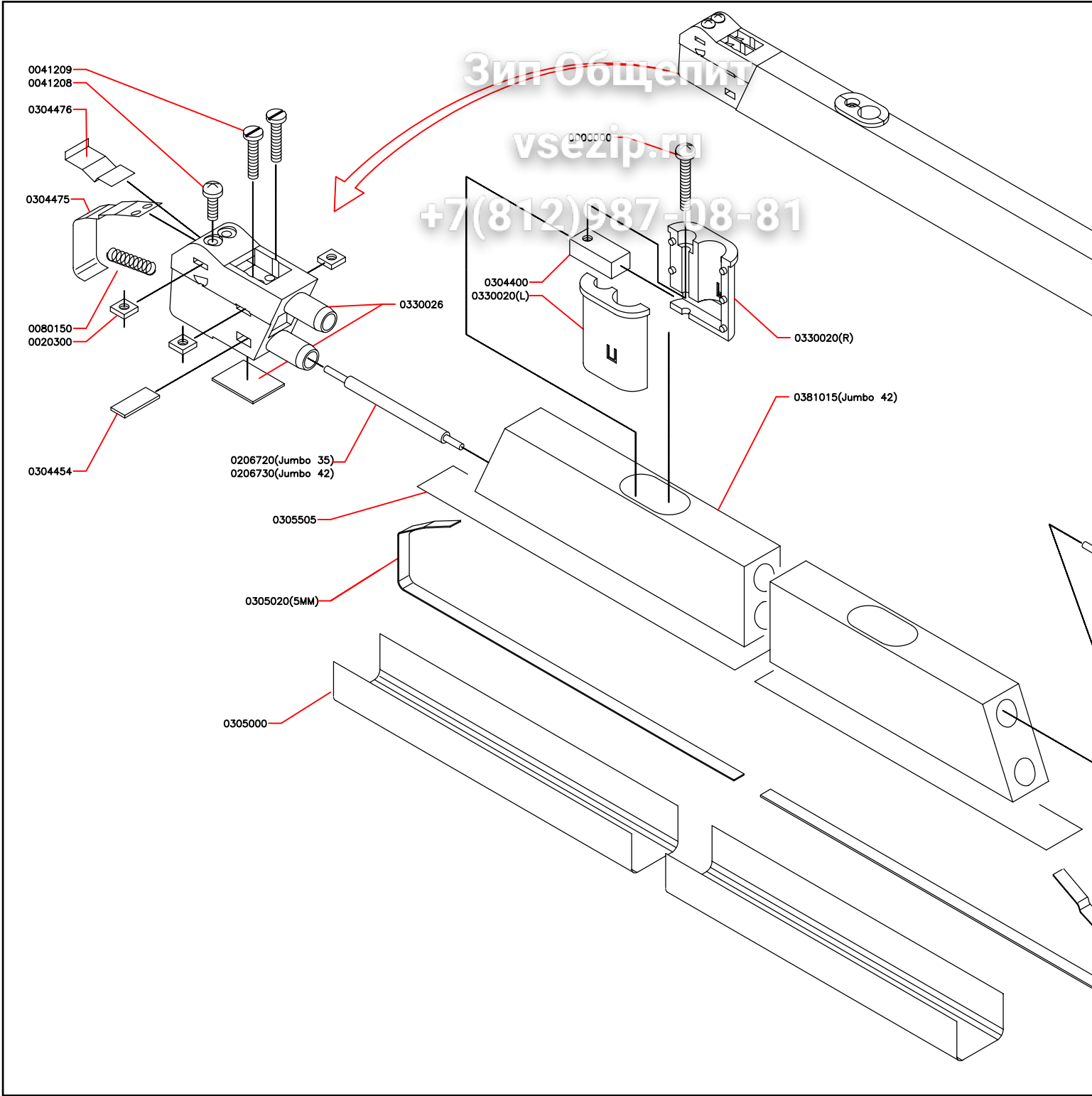
0330026

0304400

0330020(L)

0330020(R)

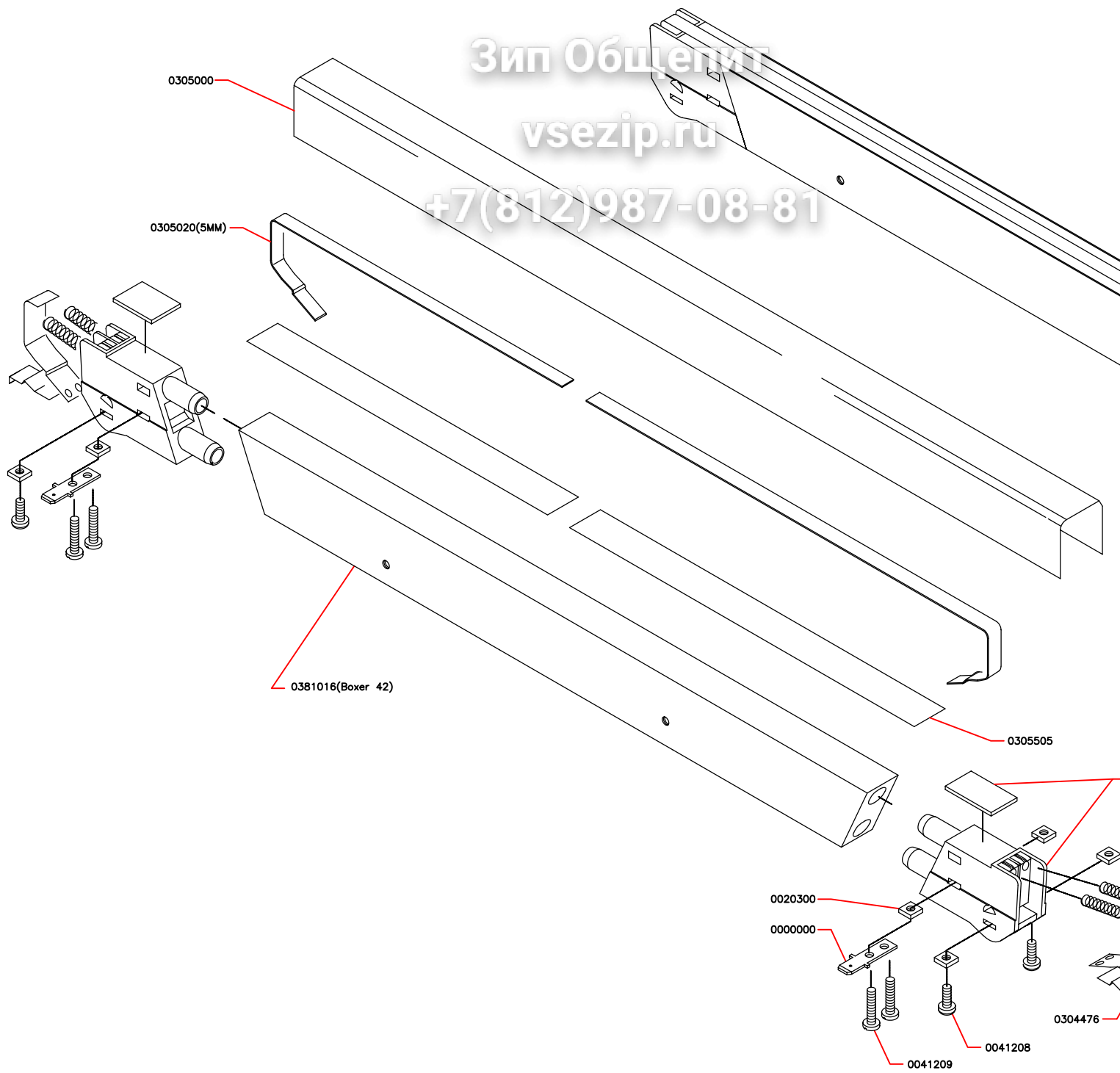
0381015(Jumbo 42)



Зип Общедоступ

vsezip.ru

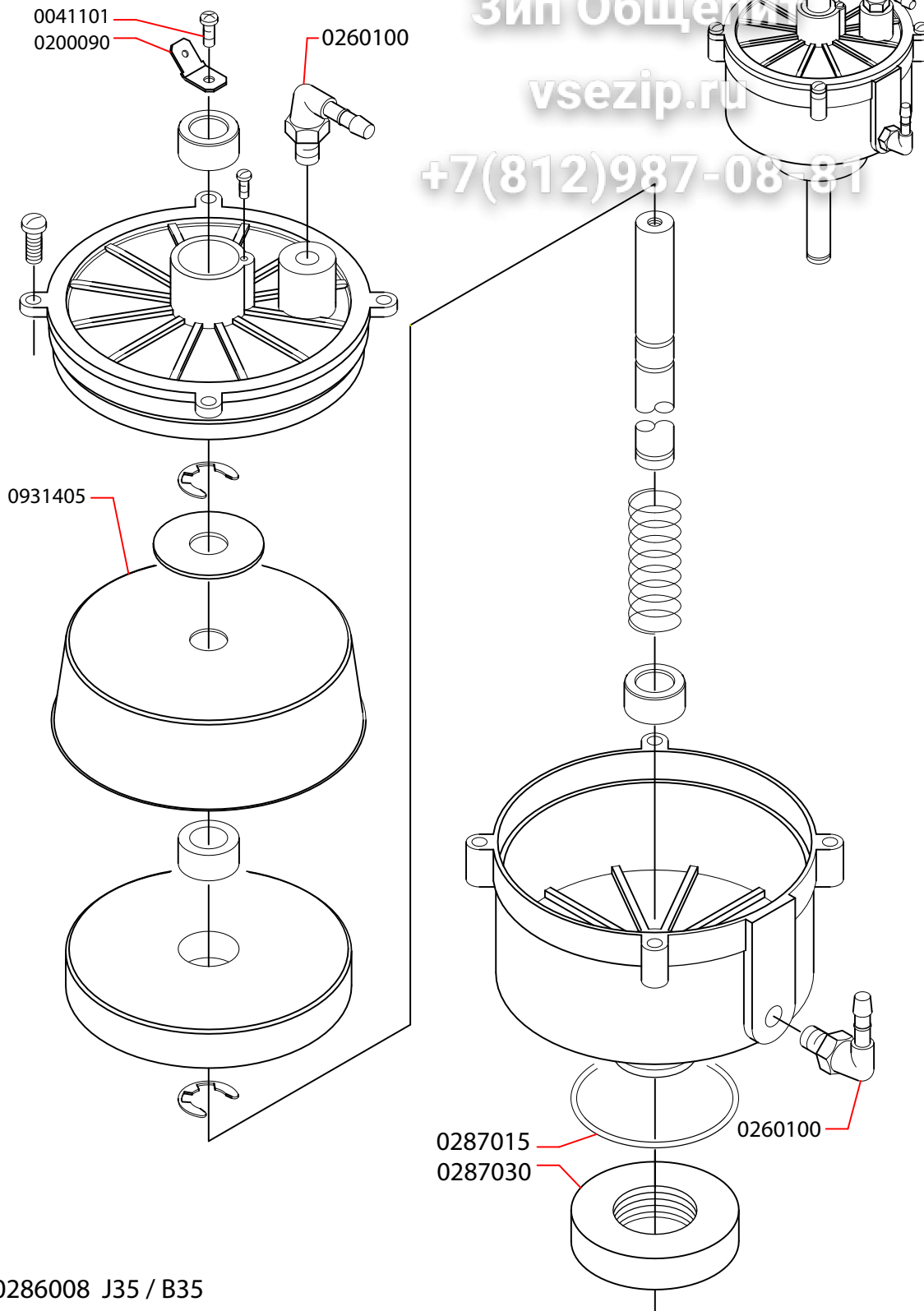
+7(812)987-08-81



Зип Общедо



vsezip.ru

+7(812)987-08-81



0286008 J35 / B35

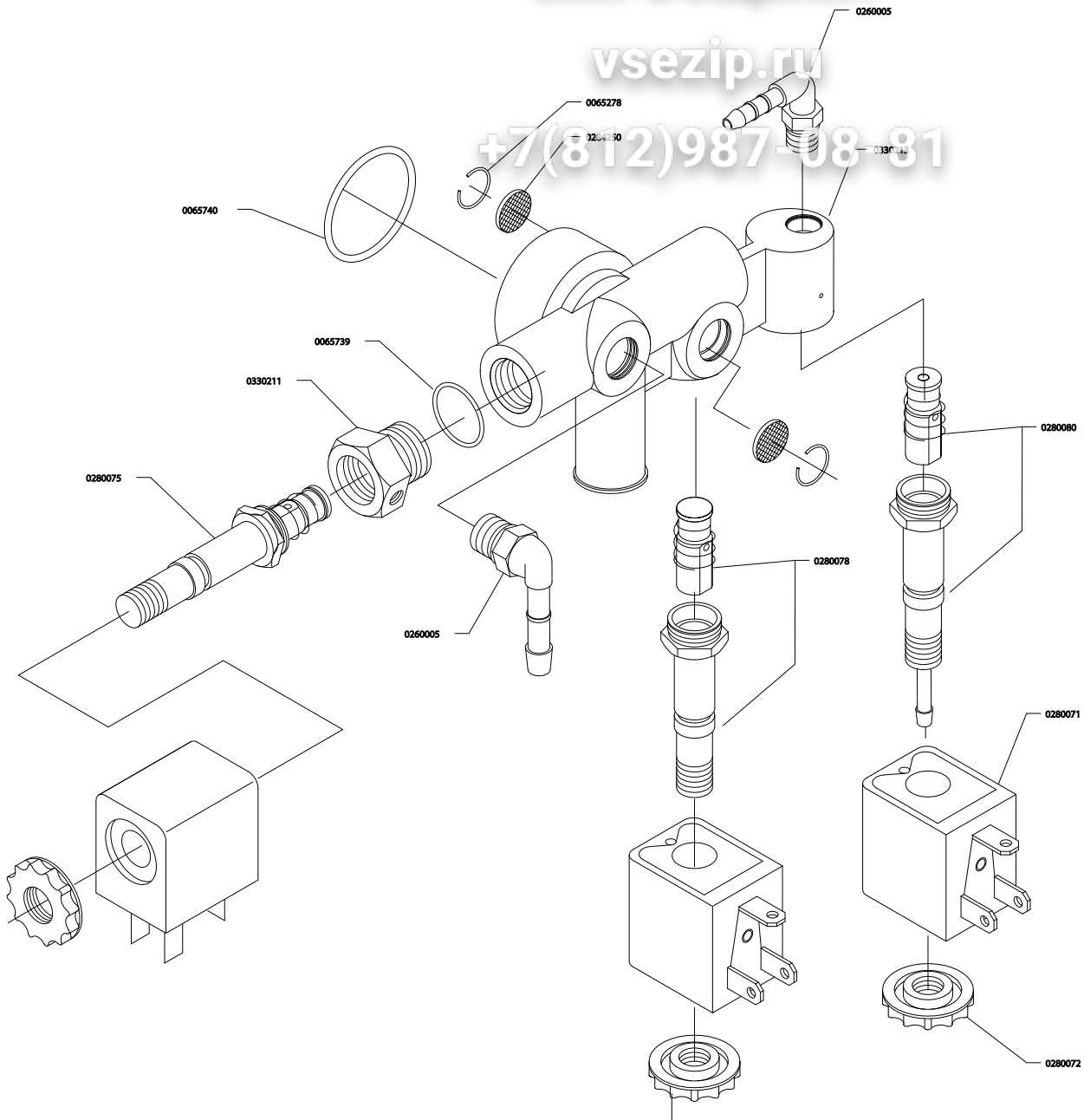
0286010 J42 / B42 XL  
M42 XL  
M90


Scale:	Name: Exploded View
Date: April 2004	Seal cilinder Boxer 42
Drawn by: MD	
	HENKELMAN B.V. P.O. box 2117 5202 CC 's-Hertogenbosch Tel. ++31(0)73 - 6213671 Fax ++31(0)73 - 6221318 The Netherlands
A 4	Drawing: Page 1-1
	Rev.01
<small>Overname explicitly reserved. Multiplication or information to third parties in any form is not permitted without written permission of the author.</small>	

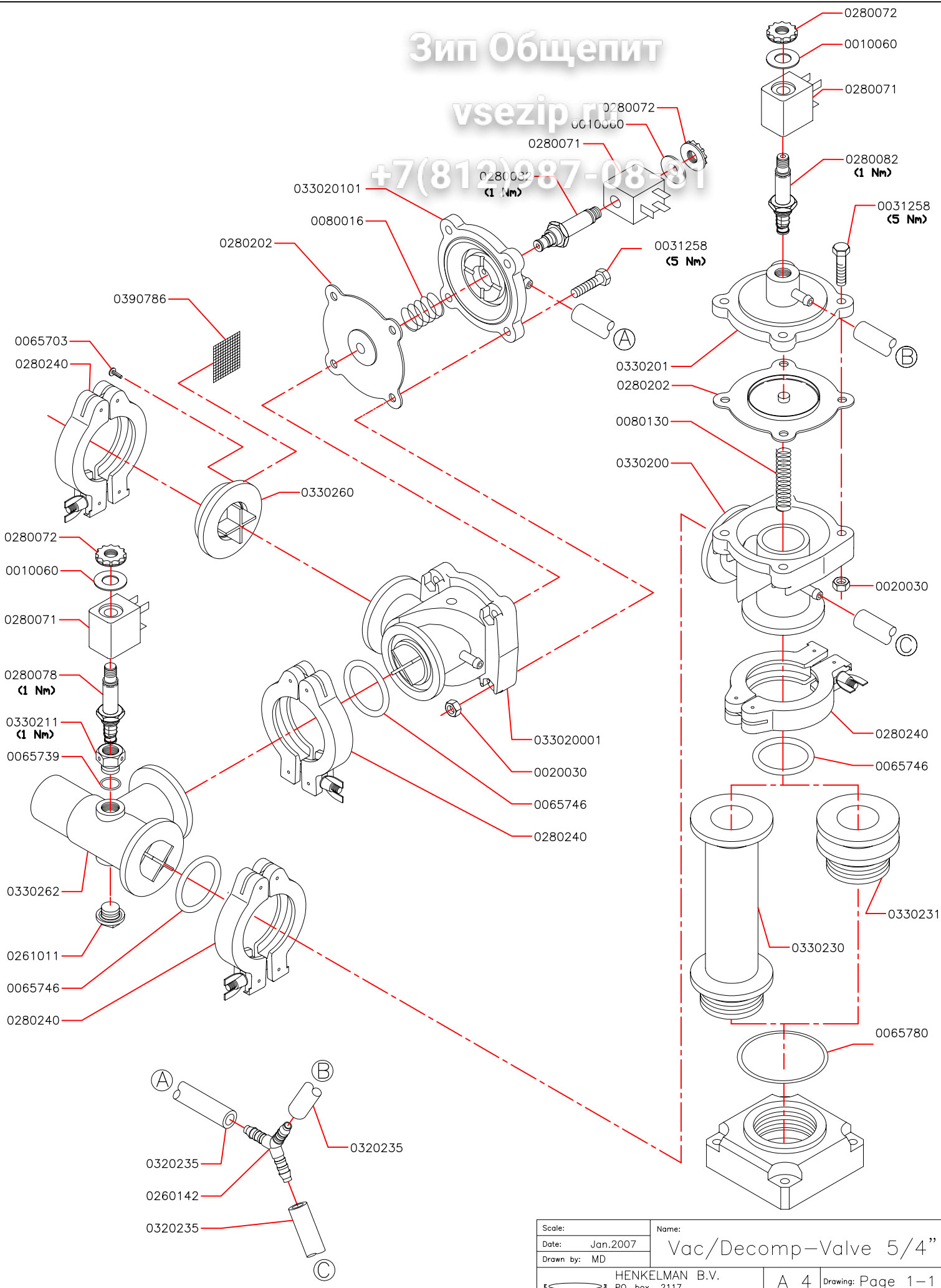
Зип Общепит

vsezip.ru

+7(812)987-08-81



Scale:	Name:	Exploded View	
Date:	June 2007	Valve Unit Boxer	
Drawn by:	MD		
	<b>HENKELMAN B.V.</b> P.O. box 2117 5302 CC 's-Hertogenbosch Tel. ++31(0)79 - 4213671 Fax ++31(0)79 - 4213118 The Netherlands	<b>A 4</b>	Drawing: Page 1-1 Rev.02
<small>Consent to supply reserved. Reproduction or circulation of this drawing is not allowed in any manner without written permission of the owner.</small>			

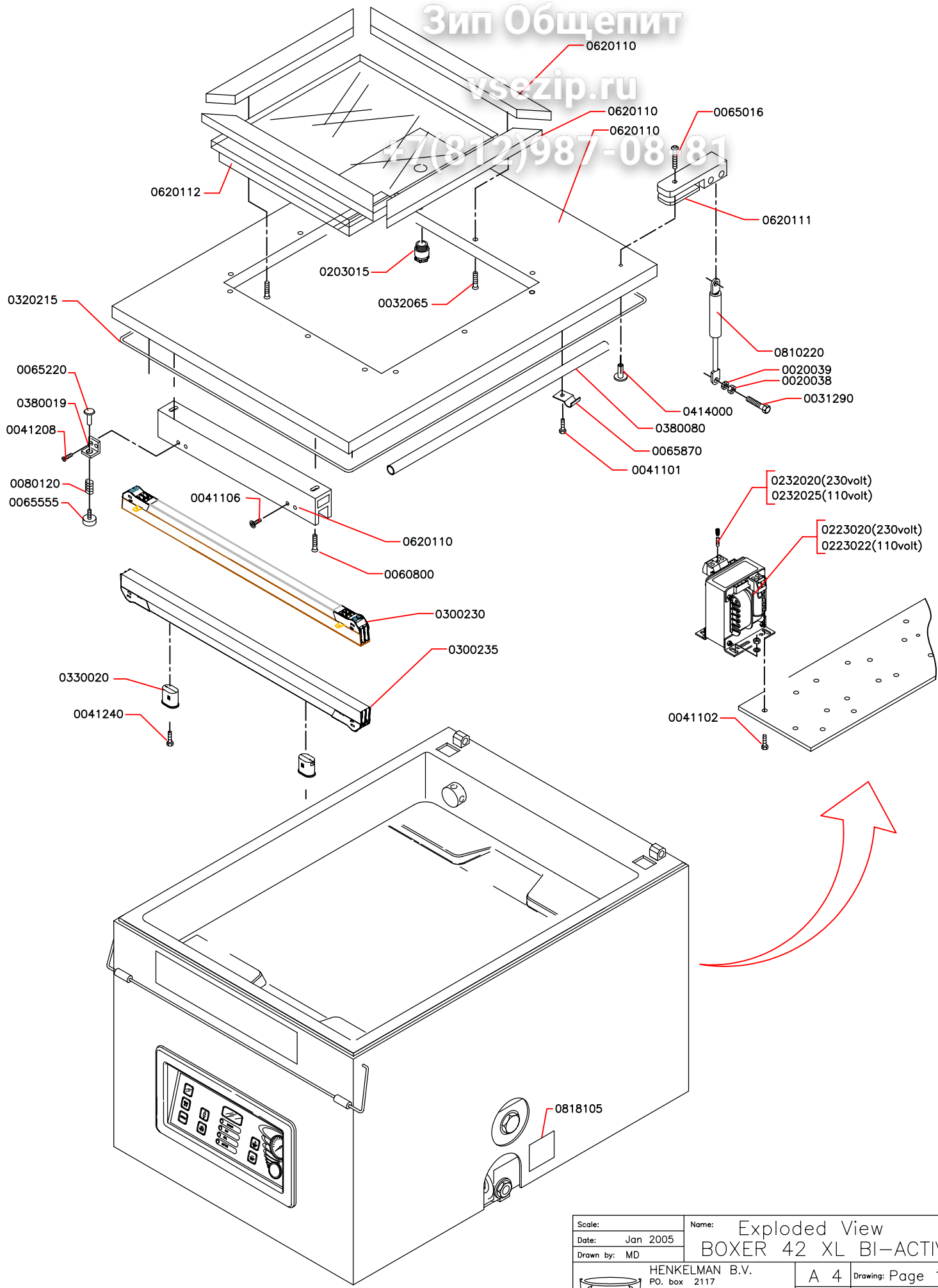


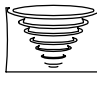
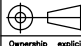
Scale:	Name:
Date: Jan.2007	Vac/Decomp-Valve 5/4"
Drawn by: MD	
	HENKELMAN B.V.
	P.O. box 2117
	5202 CC 's-Hertogenbosch
Tel. ++31(0)73 - 6213671	A 4
Fax ++31(0)73 - 6221318	Drawing: Page 1-1
The Netherlands	<small>Ownership explicitly reserved. Multiplication or information to third parties in any form is not permitted without written permission of the owner.</small>

Зип Общепит

vsezip.ru

+7(812)987-08181



Scale:	Name: Exploded View
Date: Jan 2005	BOXER 42 XL BI-ACTIVE
Drawn by: MD	
	HENKELMAN B.V. P.O. box 2117 5202 CC 's-Hertogenbosch Tel. ++31(0)73 - 6213671 Fax ++31(0)73 - 6221318 The Netherlands
A 4	Drawing: Page 1-1
	Rev, no: 03
<small>Ownership explicitly reserved. Multiplication or information to third parties in any form is not permitted without written permission of the owner.</small>	