

Зип Общепит

vsezip.ru

+7(812)987-08-81



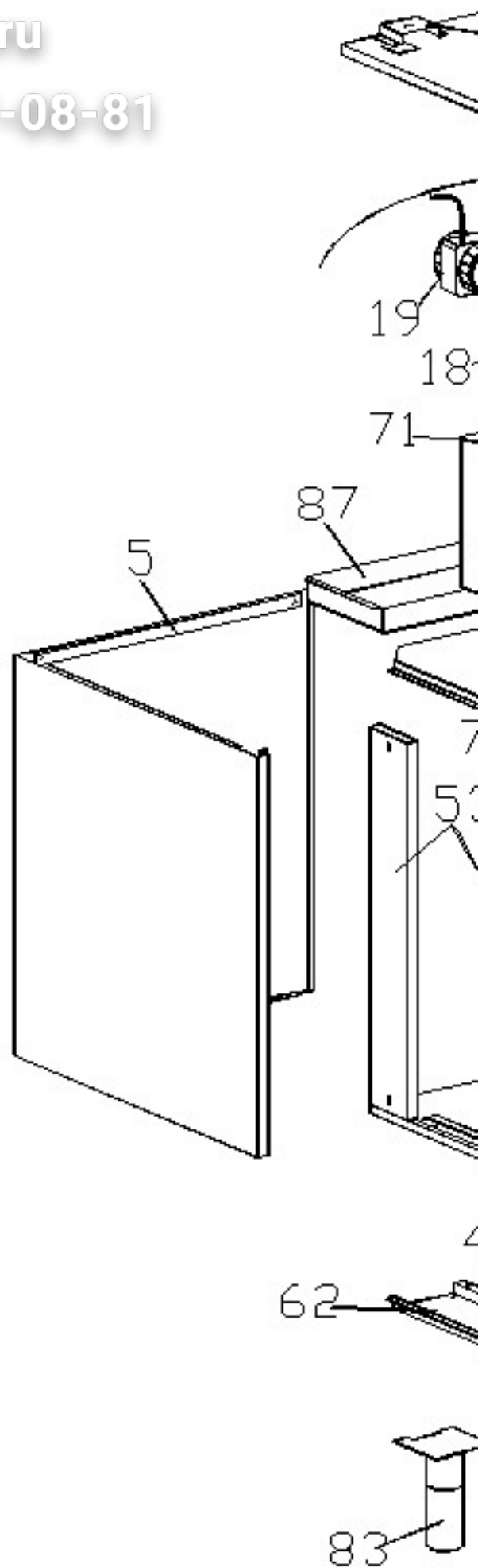
**BM1A-11**

**Edition 20050404-**

Зип Общепит

vsezip.ru

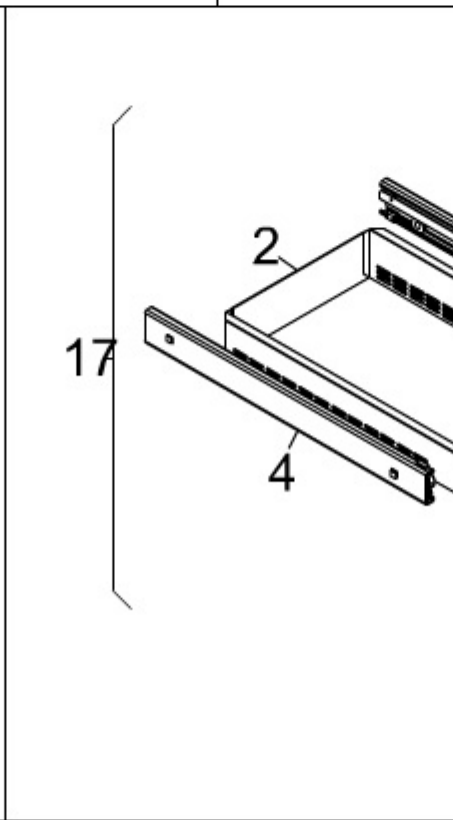
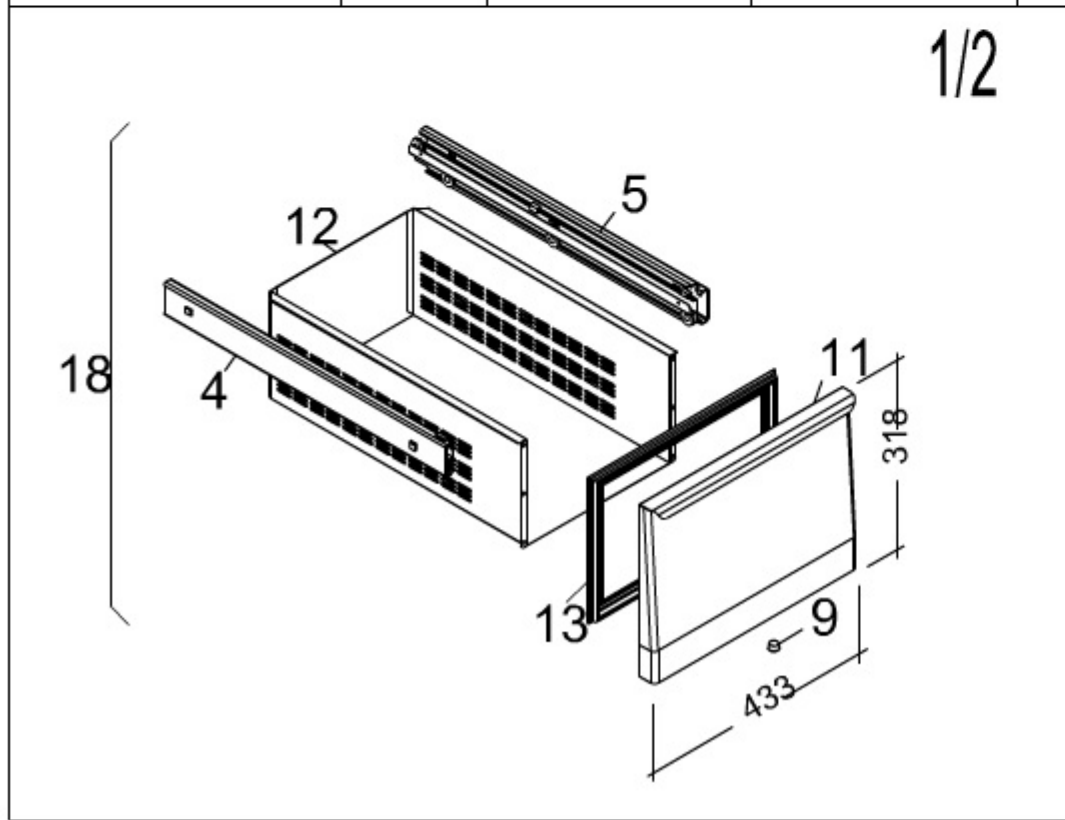
+7(812)987-08-81



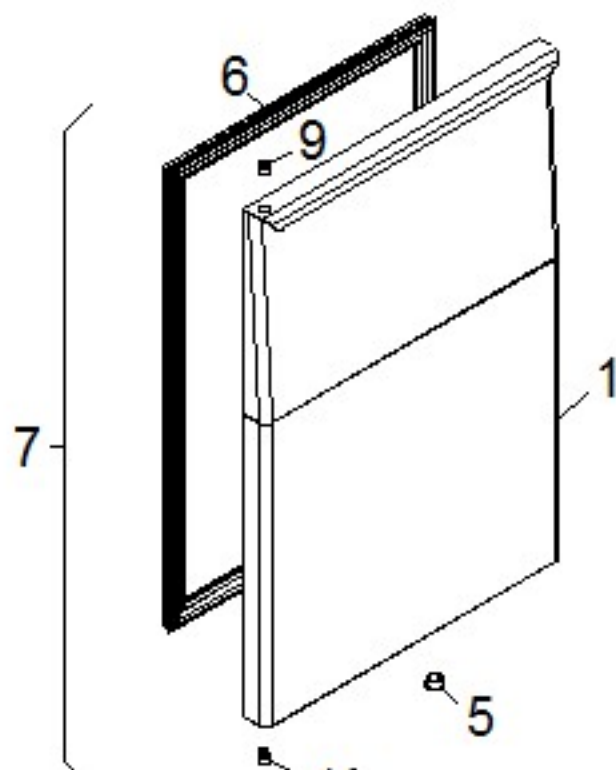
Зип Общепит

Modello    Тип    M

		6BMAA 6BMAM BM1A 6BMAZ	6BMA2A 6BMA2M BM1A/2 6BMA2Z	6BMA11A 6BMA11M BM1A/11 6BMA11Z	6BMA3A 6BMA3M BM1A/3 6BMA3Z
Num.cassetti	1/2	-	2	-	-
Schublad					
Drawers	1/3	-	-	1	3
Tiroirs					
Gabetas	2/3	-	-	1	-
		6BMCA 6BMCAM BM1C 6BMCZ	6BMC2A 6BMC2M BM1C/2 6BMC2Z	6BMC4A 6BMC4M BM1C/4 6BMC4Z	6BMC6A 6BMC6M BM1C/6 6BMC6Z
Num.cassetti	1/2	-	2	4	6
Schublad					
Drawers	1/3	-	-	-	-
Tiroirs					
Gabetas	2/3	-	-	-	-



		6BMAA 6BMA1A BM1A 6BMAZ	6BMA2A 6BMA2M BM1A/2 6BMA2Z	6BMA11A 6BMA11M BM1A/11 6BMA11Z	6 6 E 6
Porte Türen Doors Portes Puertas	DX	1	1	1	
	SX	1	-		
		6BMB3A 6BMB3M BM1B/3 6BMB3Z	6BMCA 6BMCAM BM1C 6BMCZ	6BMC2A 6BMC2M BM1C/2 6BMC2Z	6 6 E 6
Porte Türen Doors Portes Puertas	DX	2	3	3	
	SX	-	1	-	



SX

Page	Pos	Code	Description	Info
002	002	30D4560	STOPPING COMPON.	01/06/1997-
002	005	35C4430	SIDE-BACK PANEL	01/06/1997-
002	006	30T8000	RISER	04/04/2005-
002	007	36C4910	TOP BRACKET	04/04/2005-
002	009	30T6270	INSTR/BD BRACKET	01/06/1997-
002	012	32D0020	CABLE CLAMP Ø 4 - 12	01/06/1997-
002	013	32D0220	CABLE CLAMP Ø 16	01/06/1997-
002	014	32D0680	CABLE CLAMP	01/06/1997-
002	016	32D0740	TERMINAL BOARD	01/06/1997-
002	017	32G0240	HEATING ELEMENT	01/06/1997-
002	018	32M2510	FAN	01/06/1997-
002	019	32M6870	FAN MOTOR	05/12/2001-
002	020	32M5920	TANGENTIAL FAN	23/11/1998-
002	021	32W2331	BIPOLAR SWITCH	01/06/1997-
002	022	32W3190	PILOT-LIGHT 1-POLE SWITCH	01/06/1997-
002	023	32X0140	GROMMET Ø13,5-Ø25	01/06/1997-
002	024	32X0340	GROMMET	01/06/1997-
002	025	32Z7710	CONDENSER	09/04/1999-
002	026	32Z2750	COIL	01/06/1997-
002	027	32V3370	RELAY	09/04/1999-
002	028	32V3380	ENGINE CUTOUT	09/04/1999-
002	032	36E2790	CONDENS. DRAIN	19/06/2001-
002	033	33A0510	DEFROST SOL. VALVE	01/06/1997-
002	034	33A0180	FILTER	01/06/1997-
002	035	33A1200	AUXIL.VALVE	01/06/1997-
002	036	33Q5970	SLEEVE	01/06/1997-
002	037	34D3390	EVAPORATOR	09/04/1999-
002	038	32Z3420	CONDENSER	01/06/1997-
002	039	34D5570	MOTOR UNIT	09/04/1999-
002	040	34D5500	COMPRESSOR	09/04/1999-
002	041	35B7800	BOTTOM PANEL	01/06/1997-
002	042	35C4440	TOP PANEL	01/06/1997-
002	043	35B7840	INSTR.BOARD RISER	01/06/1997-
002	044	35G9660	PANEL-BOARD COVER	10/09/2001-
002	045	35G9690	PANEL BOARD	10/09/2001-
002	046	3043440	EVAPORATOR GUARD	04/04/2005-
002	047	35T0390	SPACER PIPE	01/06/1997-
002	048	35U4420	FAN SUPPORT	01/06/1997-
002	049	35V1010	CONTROL BOARD C	16/06/1999-
002	051	35V3300	SHELF OMEGA	01/06/1997-
002	053	35V3340	MOT.COMP.RISER	01/06/1997-
002	054	35V3410	INSTR/BD PLATE	01/06/1997-
002	055	35V3420	CROSS MEMBER	01/06/1997-
002	057	35V3490	LH GUIDE	01/06/1997-
002	058	35V3500	RH GUIDE	01/06/1997-
002	059	35V3510	TRIM	01/06/1997-
002	060	3043450	CONVEYOR	04/04/2005-
002	062	35V4240	FOOT-HOLDER OM.	01/06/1997-
002	064	35V4850	SUPPORT	01/06/1997-
002	065	35V4860	EVAPORATOR SUPPORT.	01/06/1997-
002	066	35V5200	TRAY SUPP.	01/06/1997-

Page	Pos	Code	Description	Info
002	068	35V6460	BOTTOM BRACKET	01/06/1997-
002	069	35V6600	DRAIN GUARD	01/06/1997-
002	070	35W4540	LOWER TRAY	01/06/1997-
002	071	35W4550	TRAY	01/06/1997-
002	072	35X1640	DRAIN TRAP	01/06/1997-
002	073	35X2230	DRAIN	01/06/1997-
002	074	36D3560	VERT.FRAME	01/06/1997-
002	075	36D3610	BORDER FRAME	01/06/1997-
002	076	36D3860	TRIM FRAME	01/06/1997-
002	077	36D4600	SPACER	01/06/1997-
002	080	36D5530	TRIM FRAME	01/06/1997-
002	082	36E4780	CONDENS. DRAIN	07/09/2004-
002	083	36C3960	FOOT	15/11/1999-
002	086	36Q1400	PLUG	01/06/1997-
002	087	36Z0010	TRAY	01/06/1997-
002	088	36Z0030	TRAY	01/06/1997-
002	089	36Z6401	CONTROL BOARD	09/07/2003-
002	090	40k0966	FRAME	04/04/2005-
002	091	35V7930	TRAY RESIS. FASTENER	01/06/1997-
002	095	32V7370	DIGITAL THERMOREGULATOR	10/02/2003-
002	096	32Z3470	TRANSFORMER	16/06/1999-
002	097	30A5030	CONTROL BOARD	07/09/2001-
002	098	35G9670	PANEL BOARD SUPPORT	10/09/2001-
002	099	3191170	PIN	04/04/2005-
003	001	30G4120	DRAWER UNIT 1/3	04/04/2005-
003	002	30W4040	DRAWER FRAME	21/09/2004-
003	004	36M5380	TELESCOPIC LH GUIDE	01/09/1998-
003	005	36M5390	TELESCOPIC RH GUIDE	01/09/1998-
003	009	36D3820	PLUG	01/09/1998-
003	010	37Q4730	GASKET	04/04/2005-
003	014	30G4190	DRAWER UNIT 2/3	04/04/2005-
003	015	30W4050	DRAWER FRAME	21/09/2004-
003	016	37Q4740	GASKET	04/04/2005-
003	017	60A0070	DRAWER REPLACEMENT UNIT 1/3	04/04/2005-
003	019	60A0080	DRAWER REPLACEMENT UNIT 2/3	04/04/2005-
004	005	36D3820	PLUG	01/09/1998-
004	006	37Q4710	GASKET	04/04/2005-
004	008	60A0030	RIGHT DOOR REPLACEMENT UNIT	04/04/2005-
004	009	36G8660	BUSHING	04/04/2005-
004	010	36D4610	BUSHING	04/04/2005-
004	011	30G4200	RIGHT DOOR	04/04/2005-